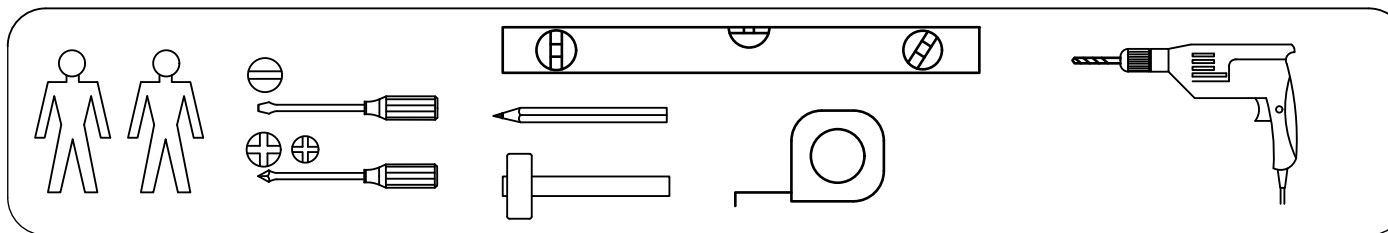
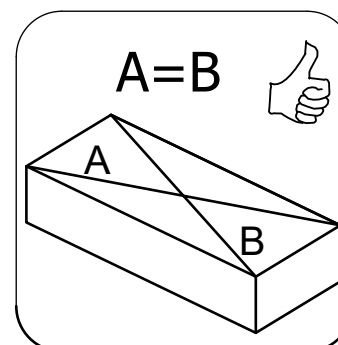
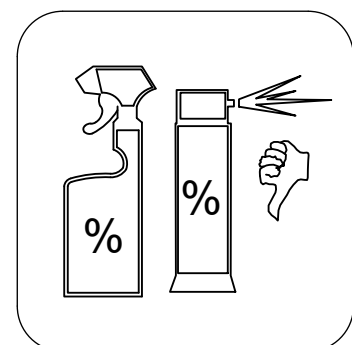
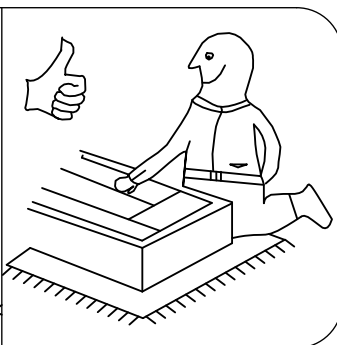
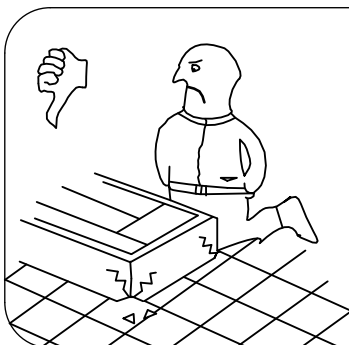
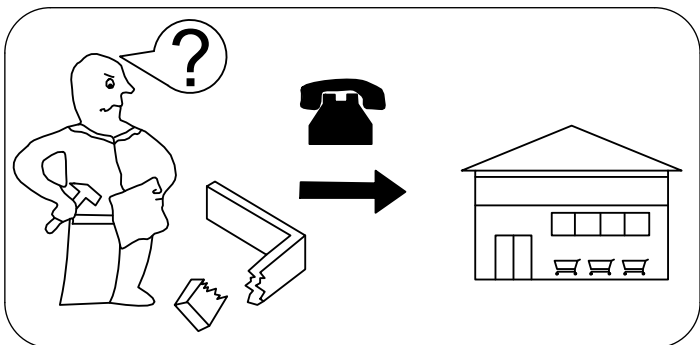
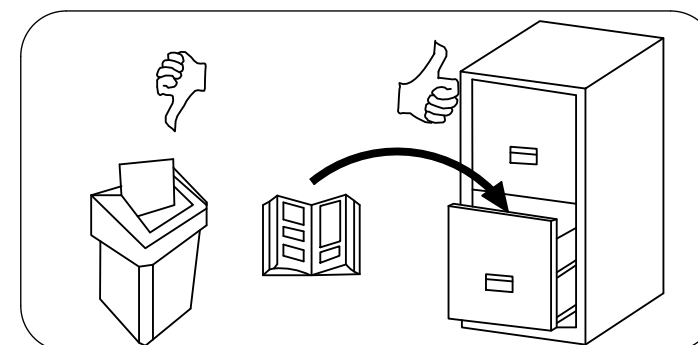
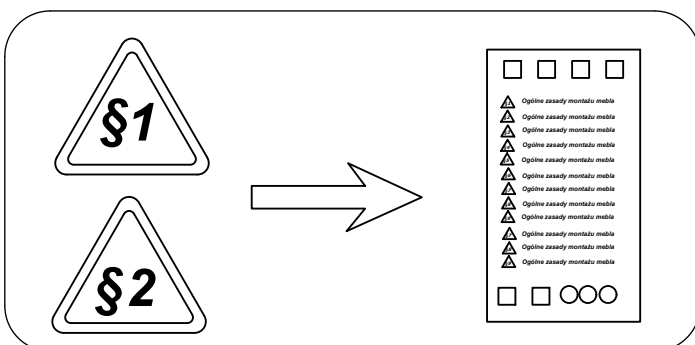
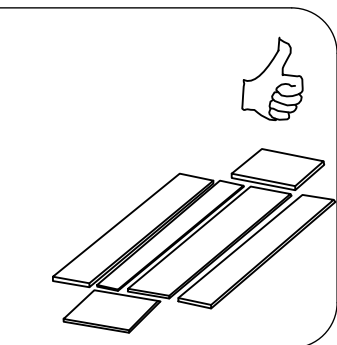
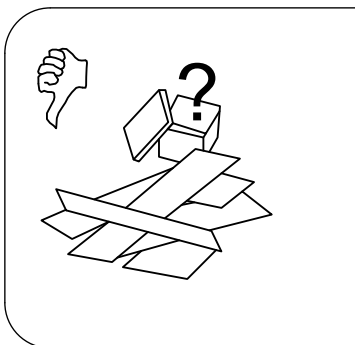
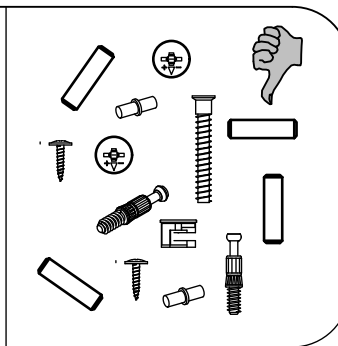
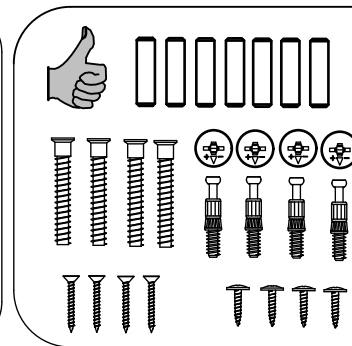
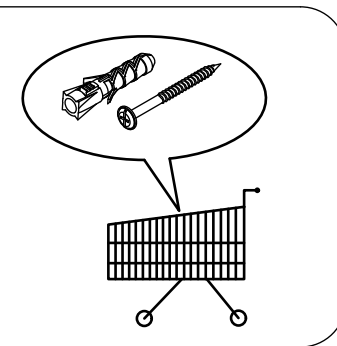
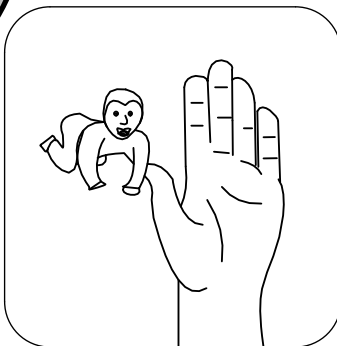
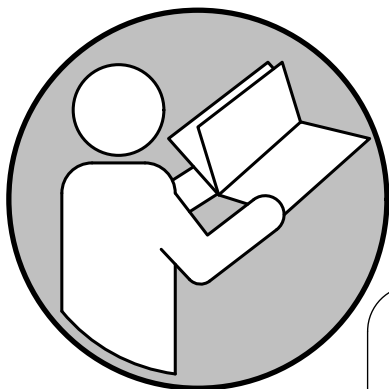
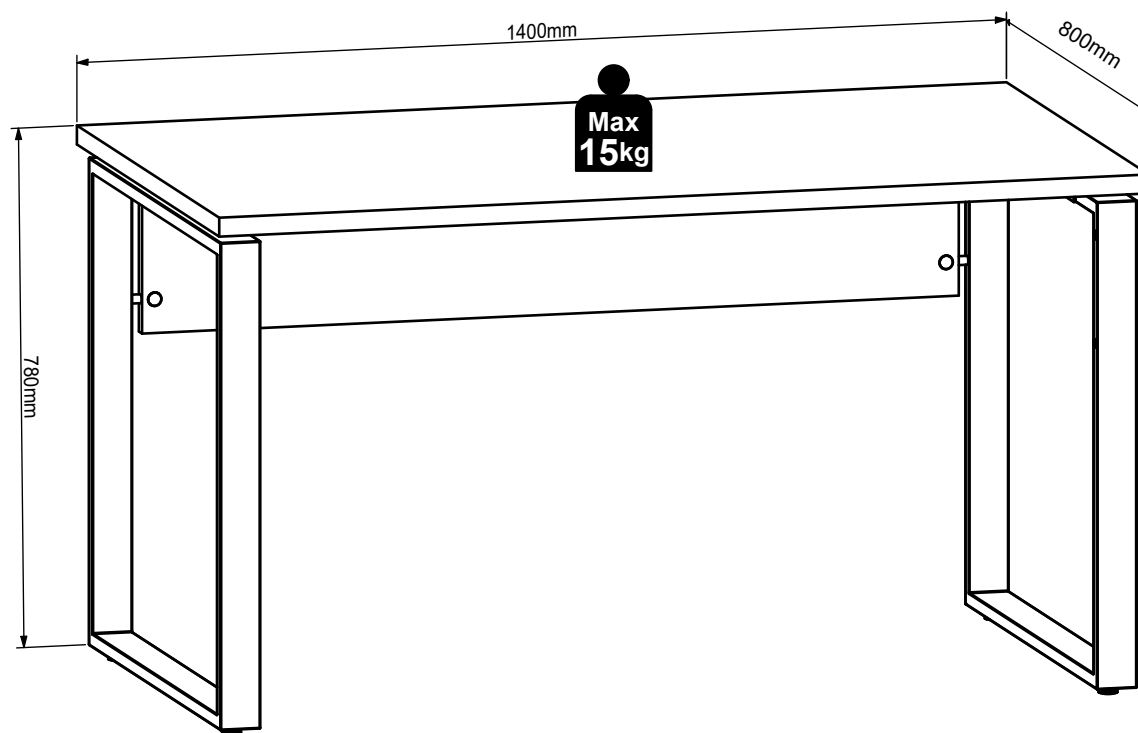


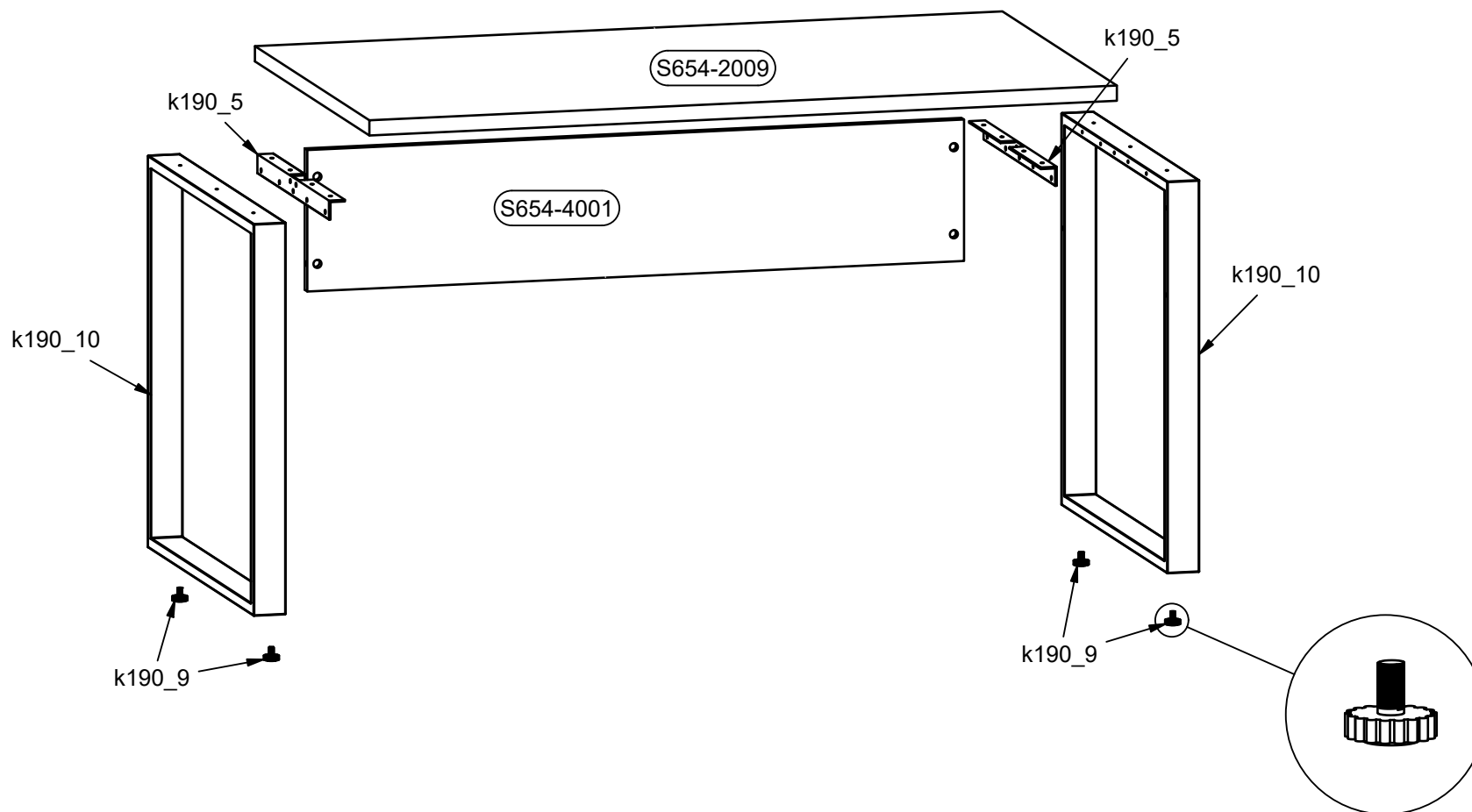
24270316/01




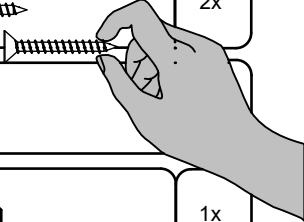

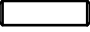





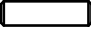


B1	B2	C1	C2	C3	C4	D
S654-2009	-	1400	800	28	1	1/2
S654-4001	-	1230	260	18	1	1/2
k190_10	-	720	740	60	2	2/2
k190_5	-2	500	35	30	2	2/2
k190_9	-4	24	28	24	4	2/2



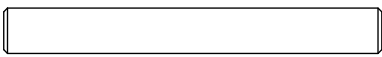
1:1

p16		2x	
p55		1x	
f1		1x	

p16		2x	
p55		1x	
f1		1x	

~~1:1~~

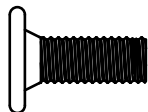
f36



Ø6x50 mm

1x

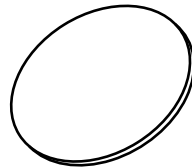
j185



M6x16mm

10x

s68



Ø20mm

4x


o51\1



L15mm Ø13/8mm

11x

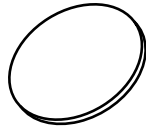
p45



Ø5x20 mm

8x


s59



Ø14mm

4x

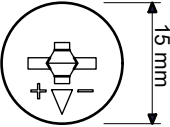
p72



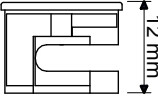
Ø5x50 mm

6x

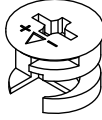
r1



15 mm



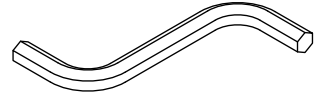
12 mm



15x12mm

4x

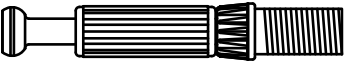
z1



4mm

1x

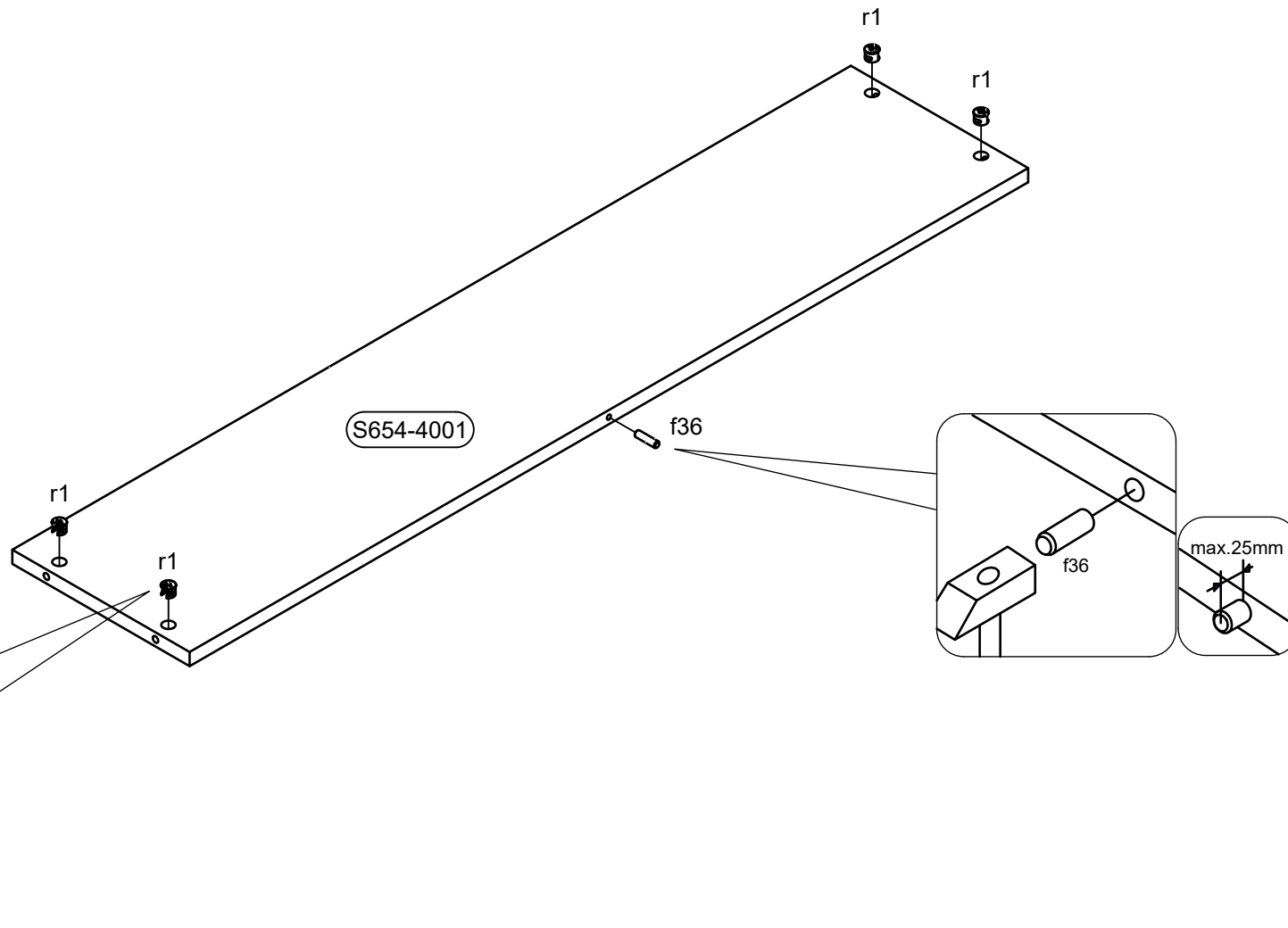
r24



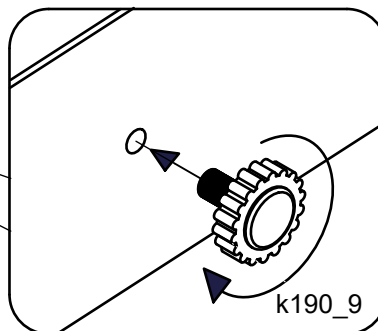
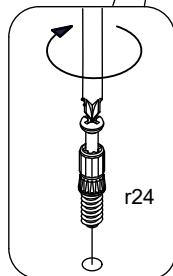
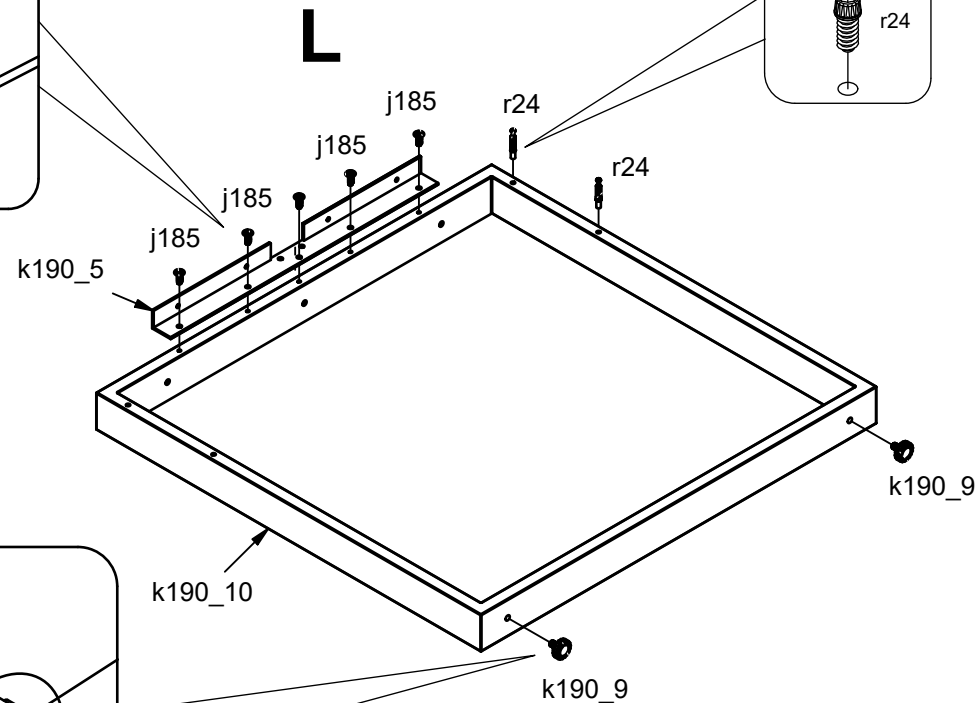
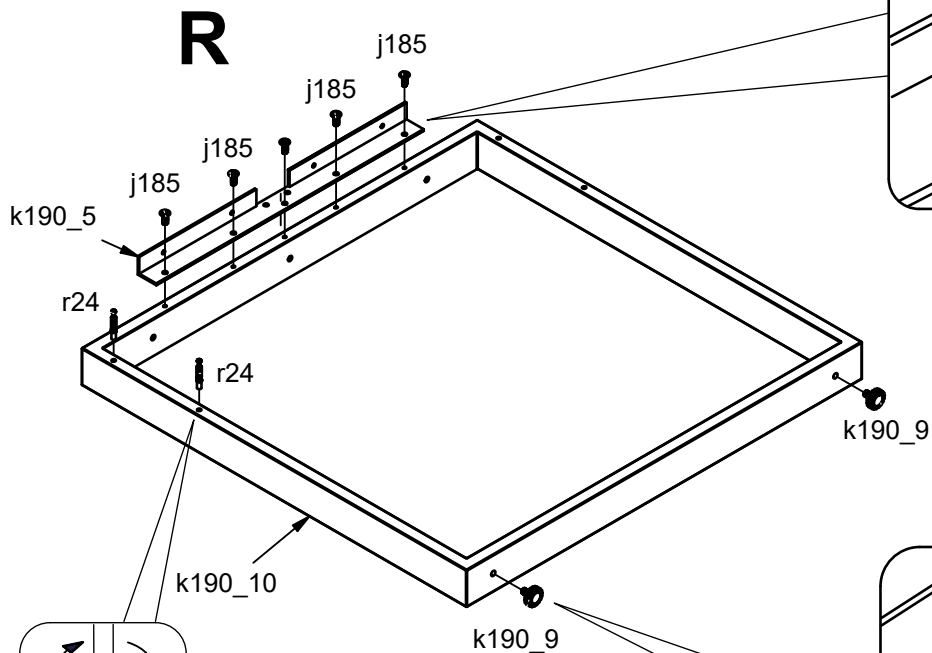
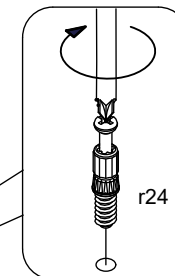
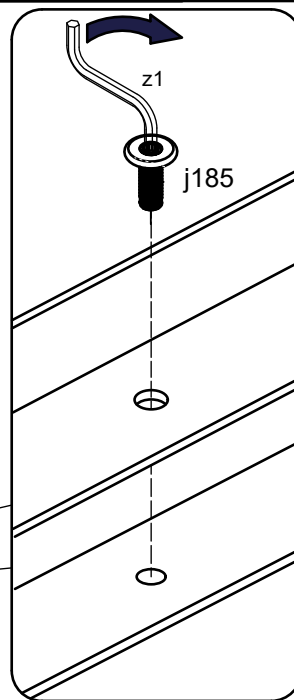
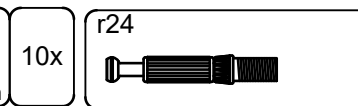
4x



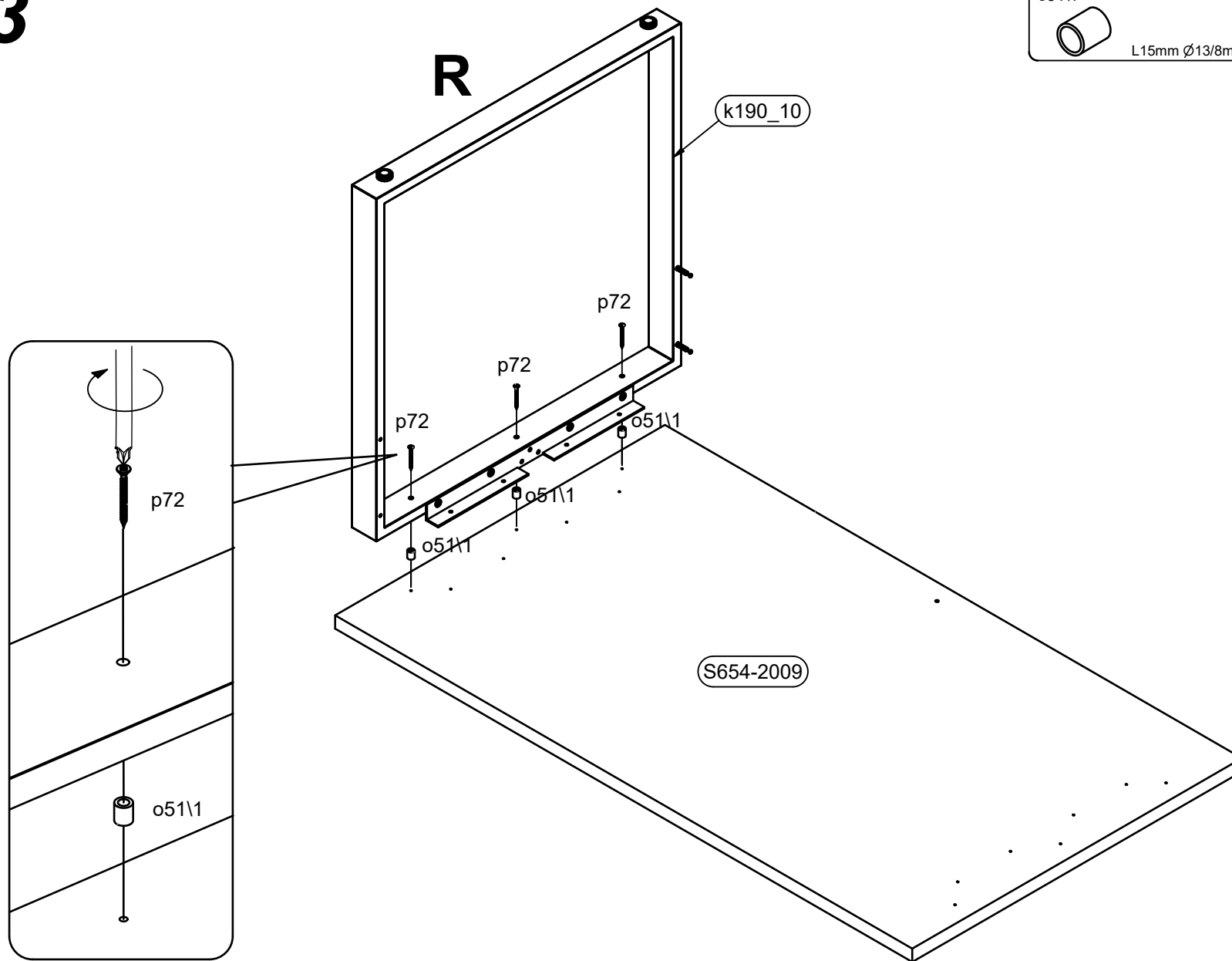
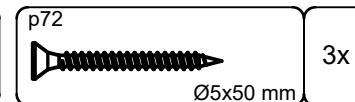
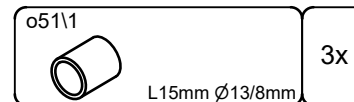
	4x		1x
--	----	--	----



2

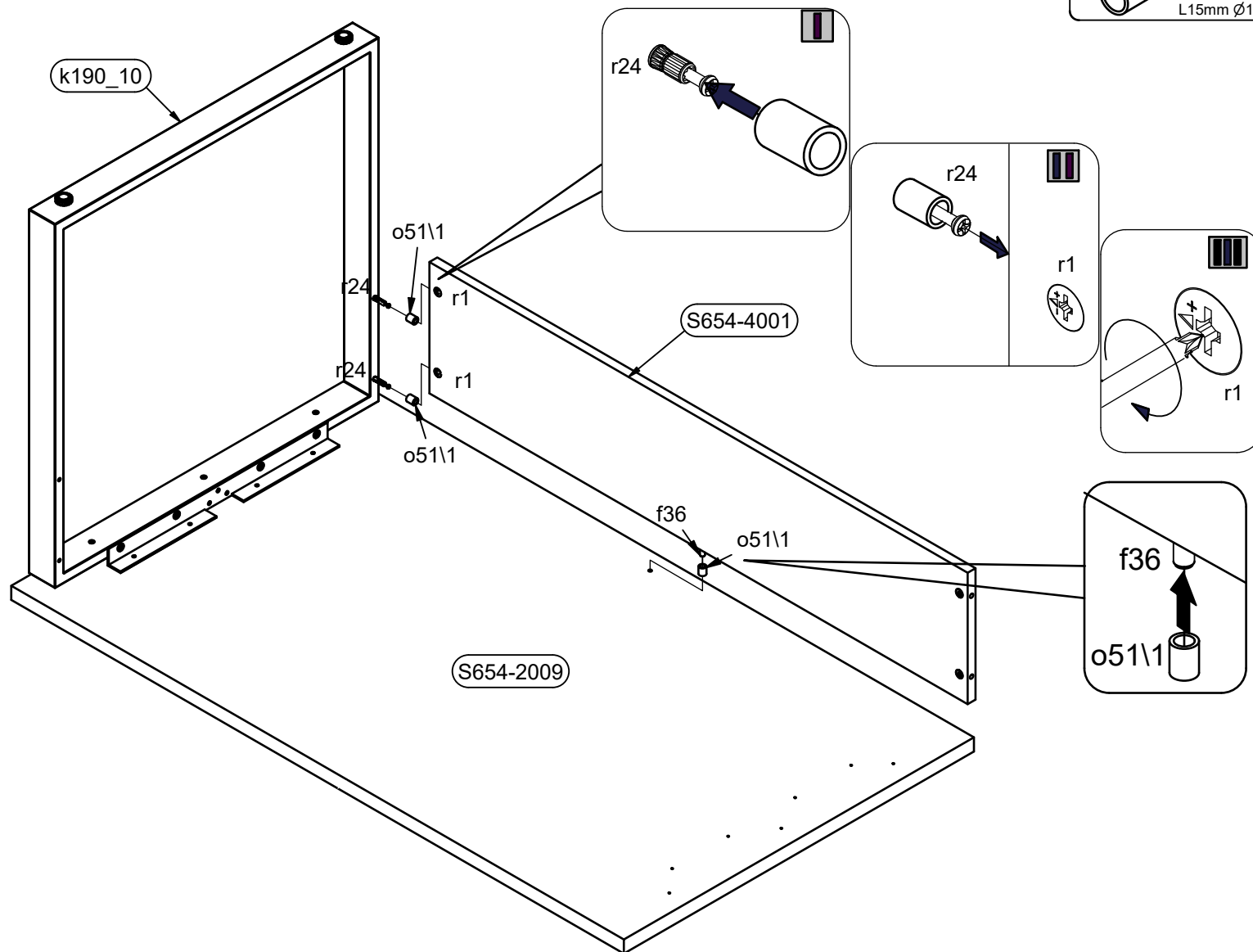


3

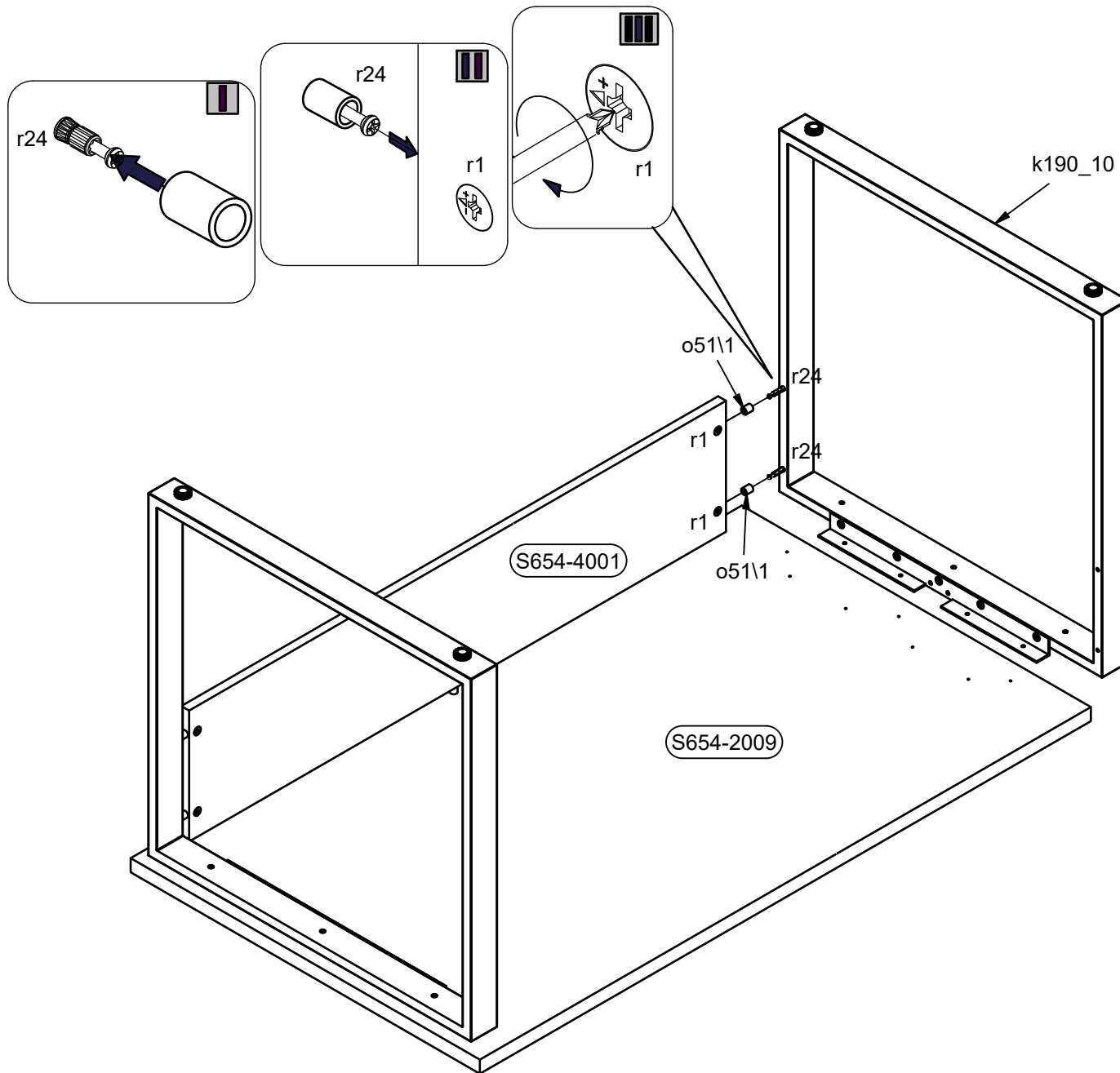
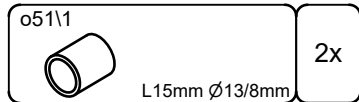


4

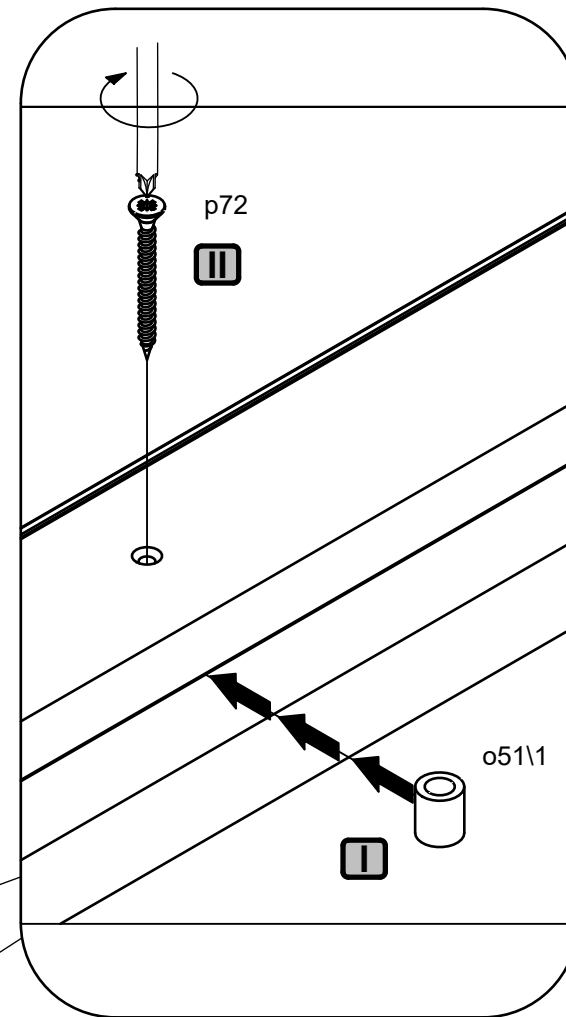
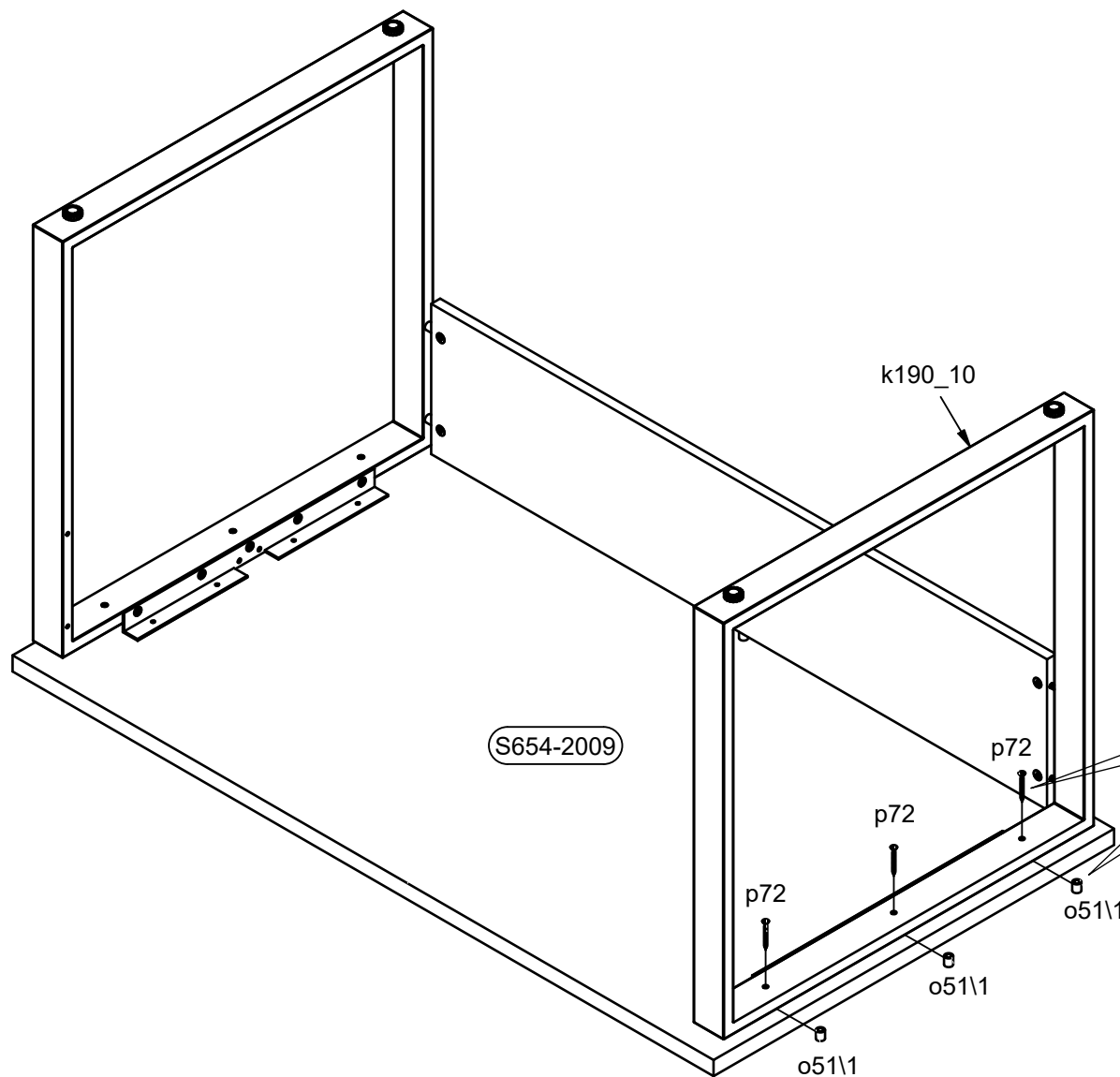
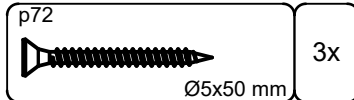
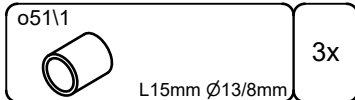
o51\1
L15mm Ø13/8mm
3x




o51\1
L15mm Ø13/8mm
2x

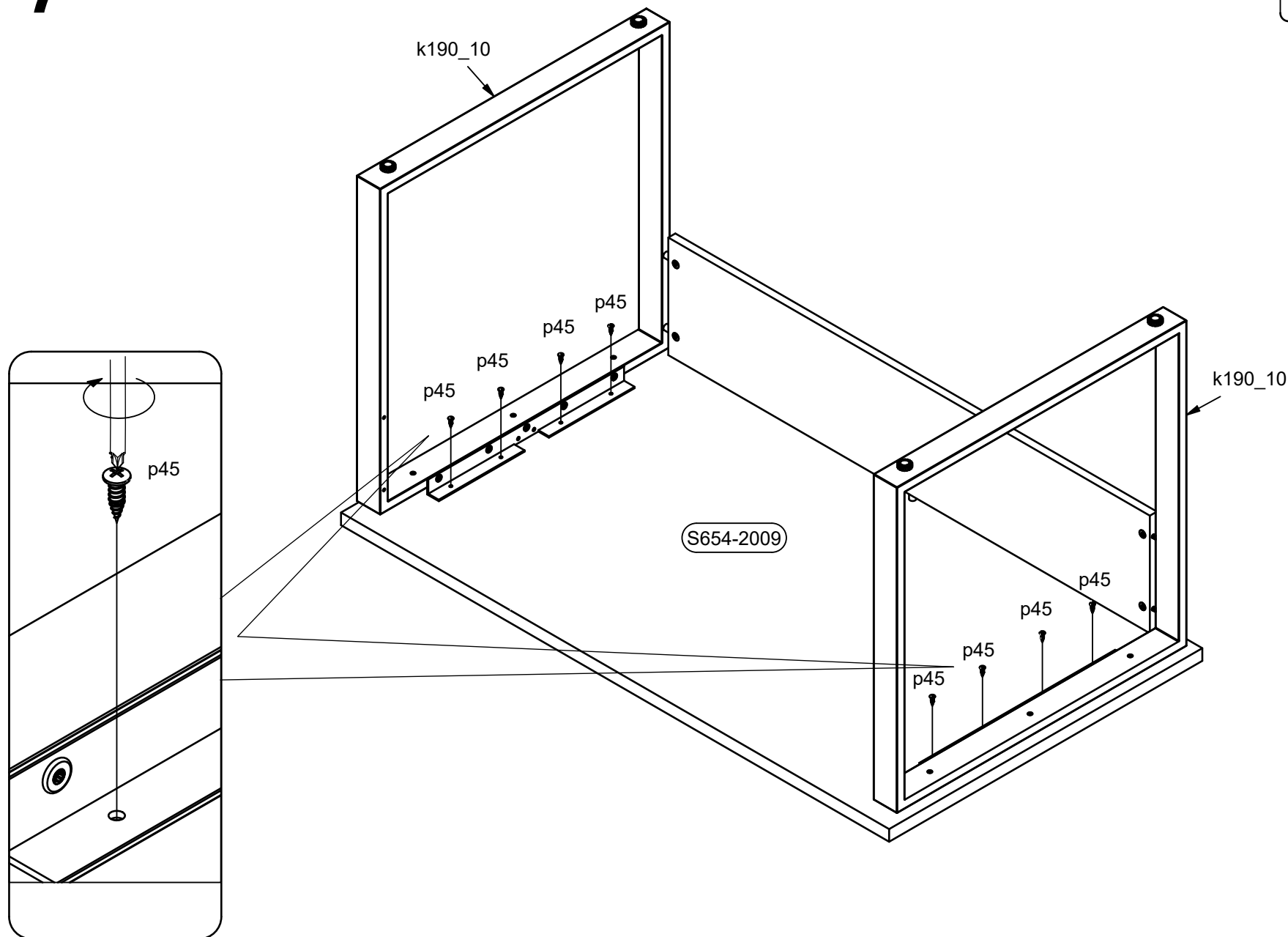


6

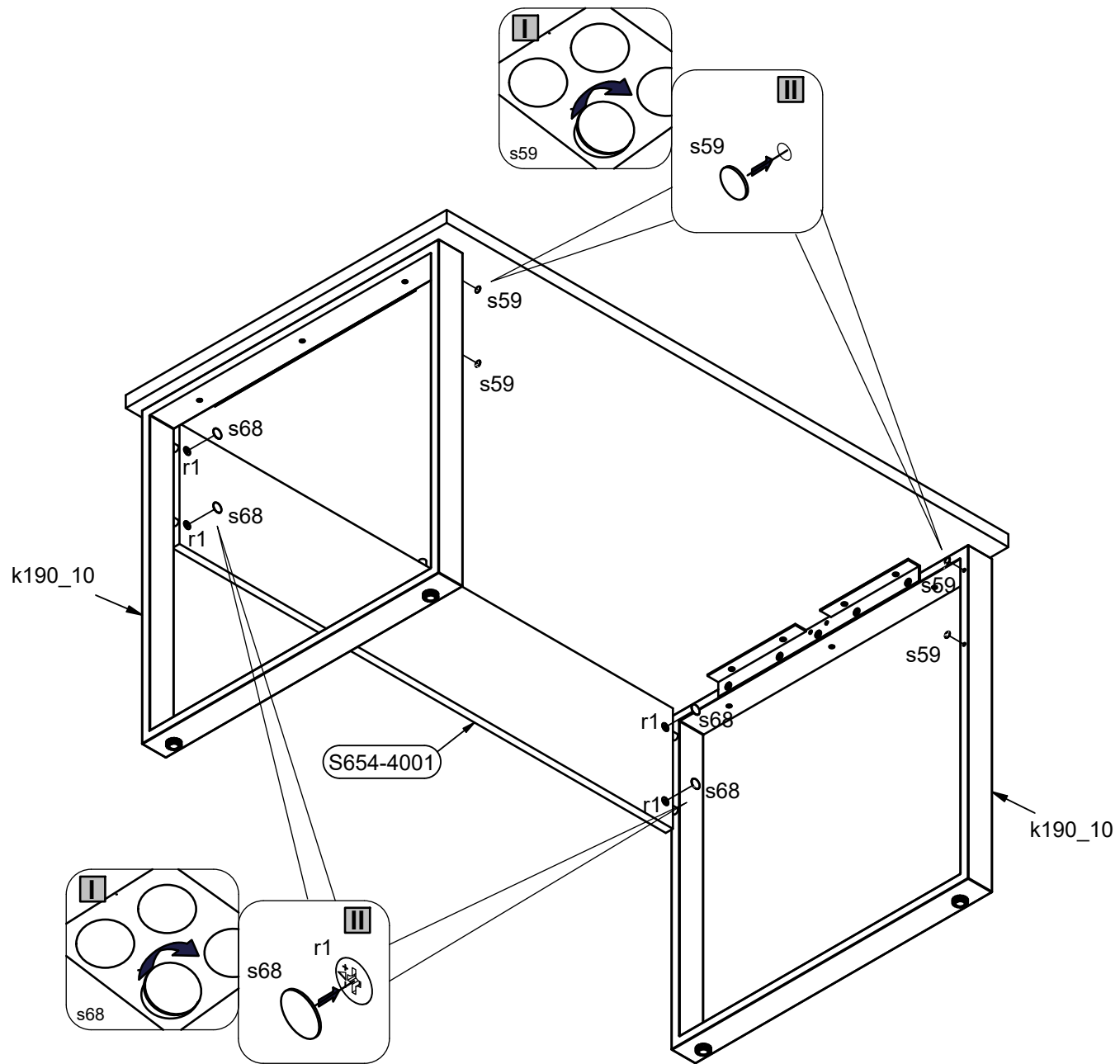


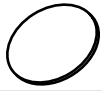

7

p45		8x
		Ø5x20 mm



8



s68		4x
	Ø20mm	
s59		4x
	Ø14mm	

