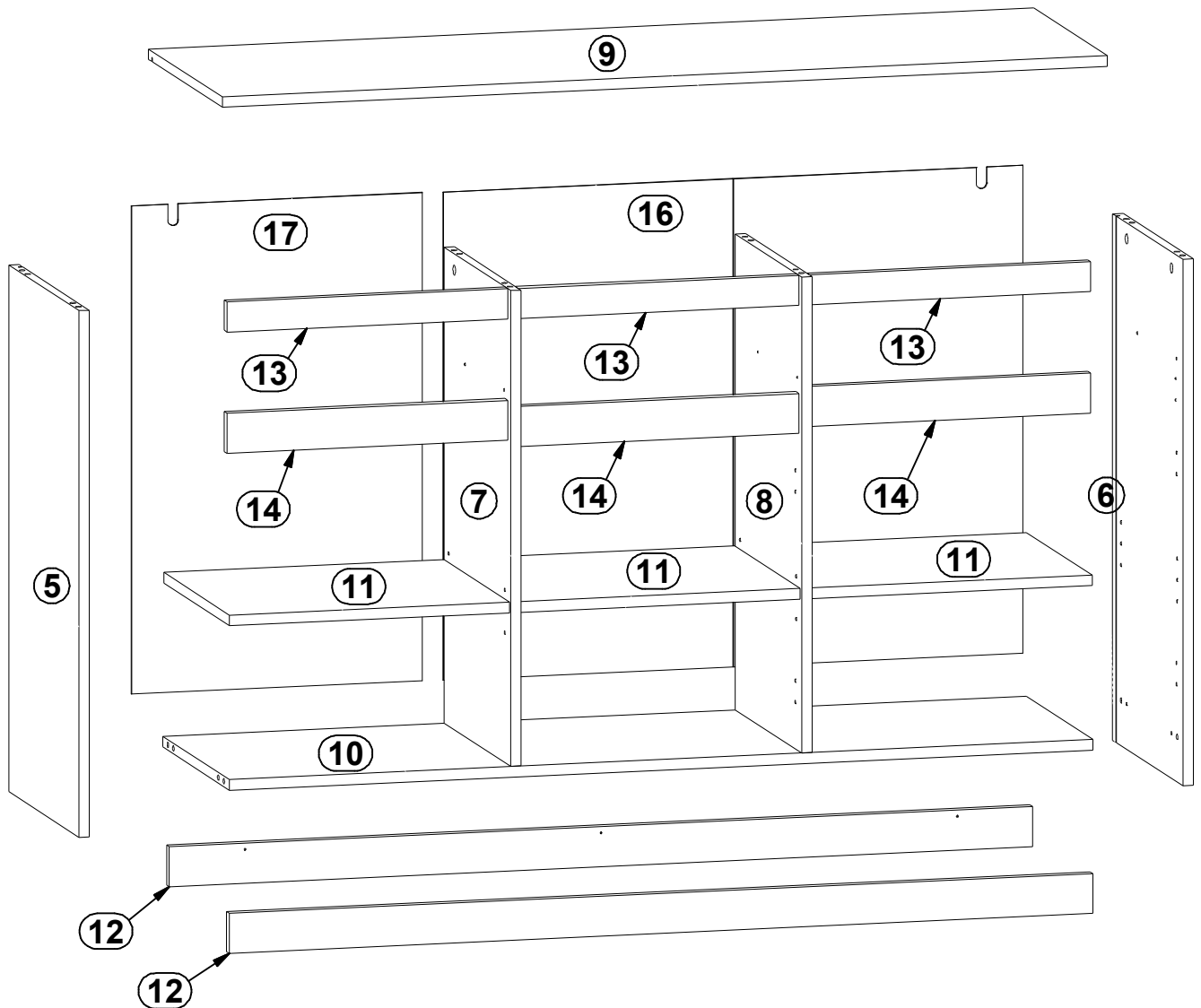
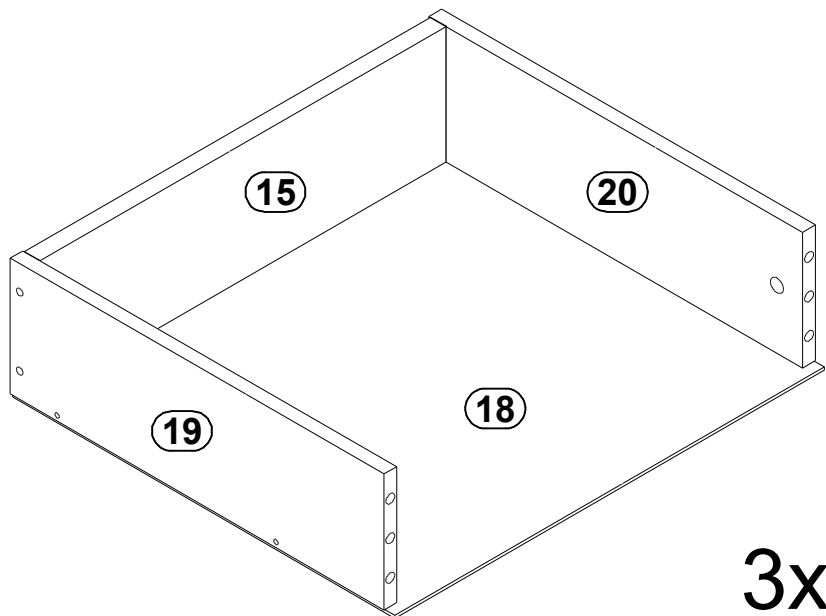
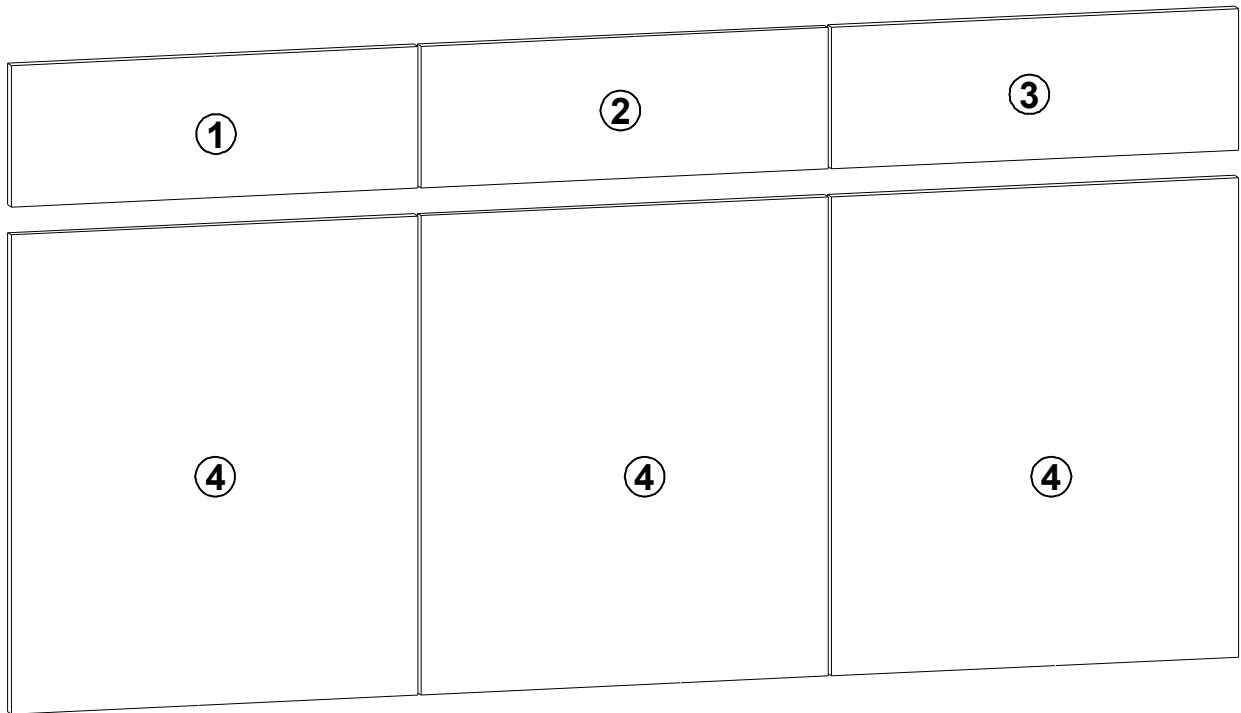
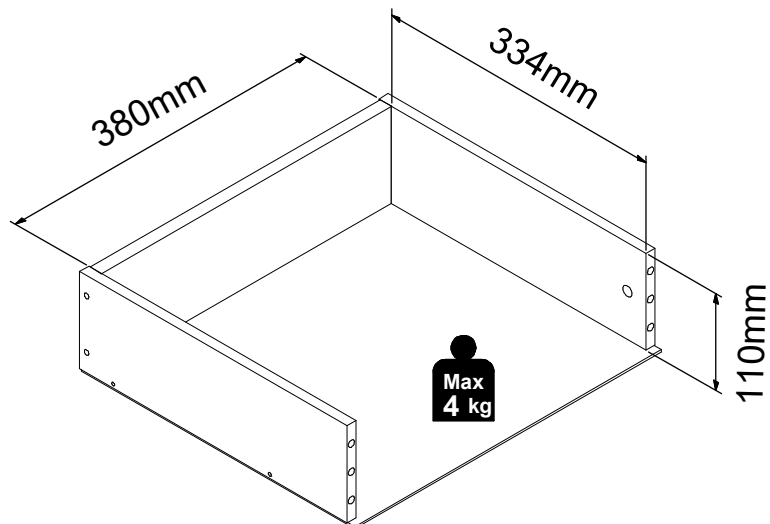
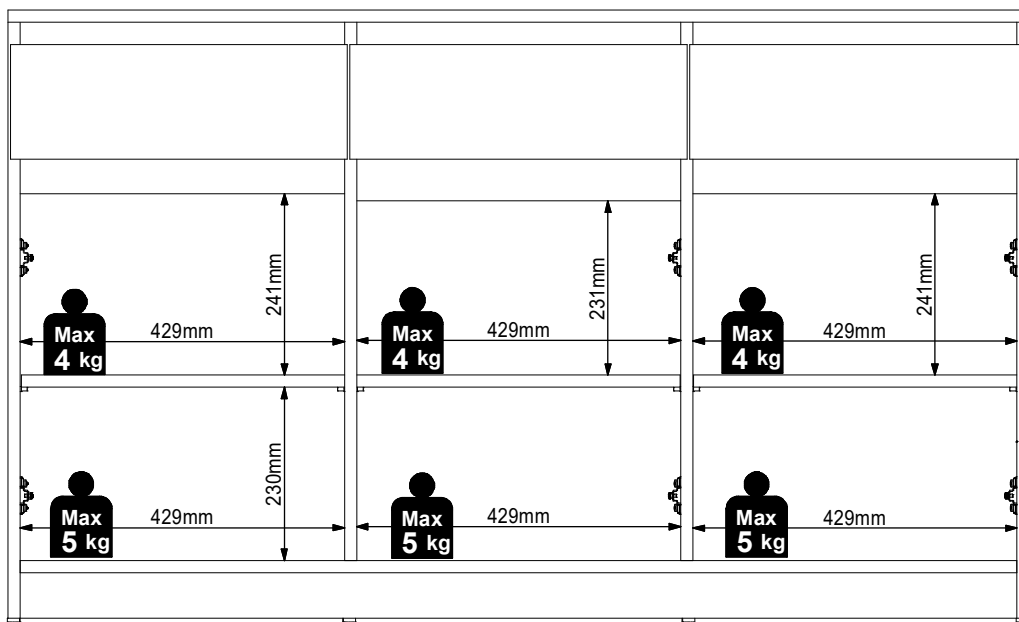
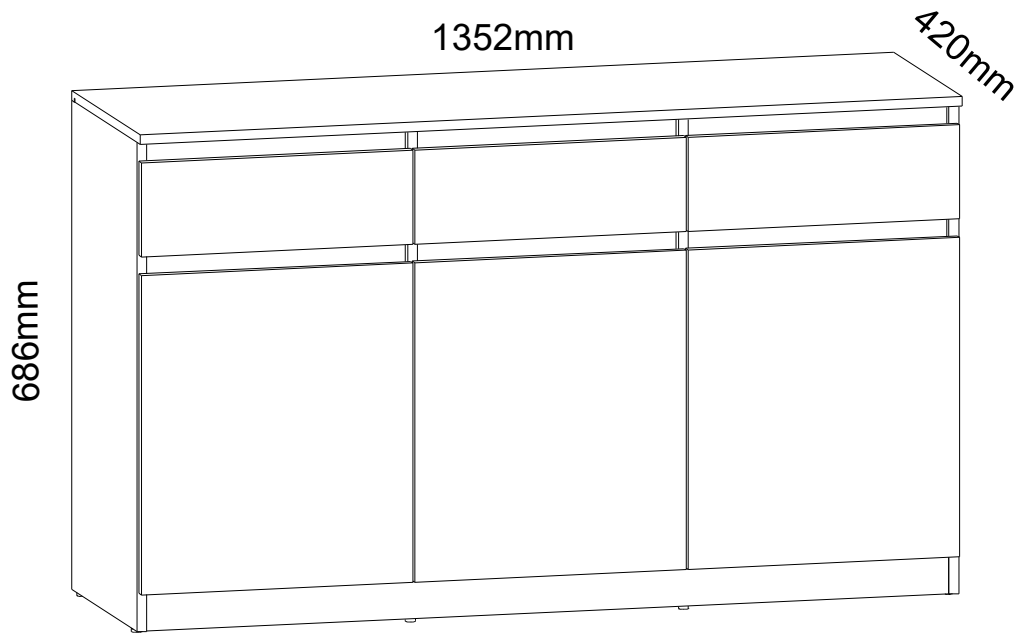


A	B1	B2	C1	C2	C3	D
1	L141-0001	-	446	152	16	1/2
2	L141-0002	-	446	152	16	1/2
3	L141-0003	-	446	152	16	1/2
4	L141-0004	-	515	446	16	1/2
5	L141-1001	-	789	400	16	1/2
6	L141-1002	-	789	400	16	1/2
7	L141-1003	-	713	380	16	1/2
8	L141-1004	-	713	380	16	1/2
9	L141-2001	-	1352	420	16	2/2
10	L141-3001	-	1319	380	16	2/2
11	L141-3002	-	428	375	16	2/2
12	L141-4001	-	1319	60	16	2/2
13	L141-4002	-	429	45	16	2/2
14	L141-4003	-	429	60	16	2/2
15	L141-5401	-	380	110	15	1/2
16	L141-9301	-	731	885	2,5	1/2
17	L141-9001	-	731	444	2,5	1/2
18	WSP-9542	-	402	358	2,5	2/2
19	WSR2-5005	-	350	110	12	2/2
20	WSR2-5006	-	350	110	12	2/2

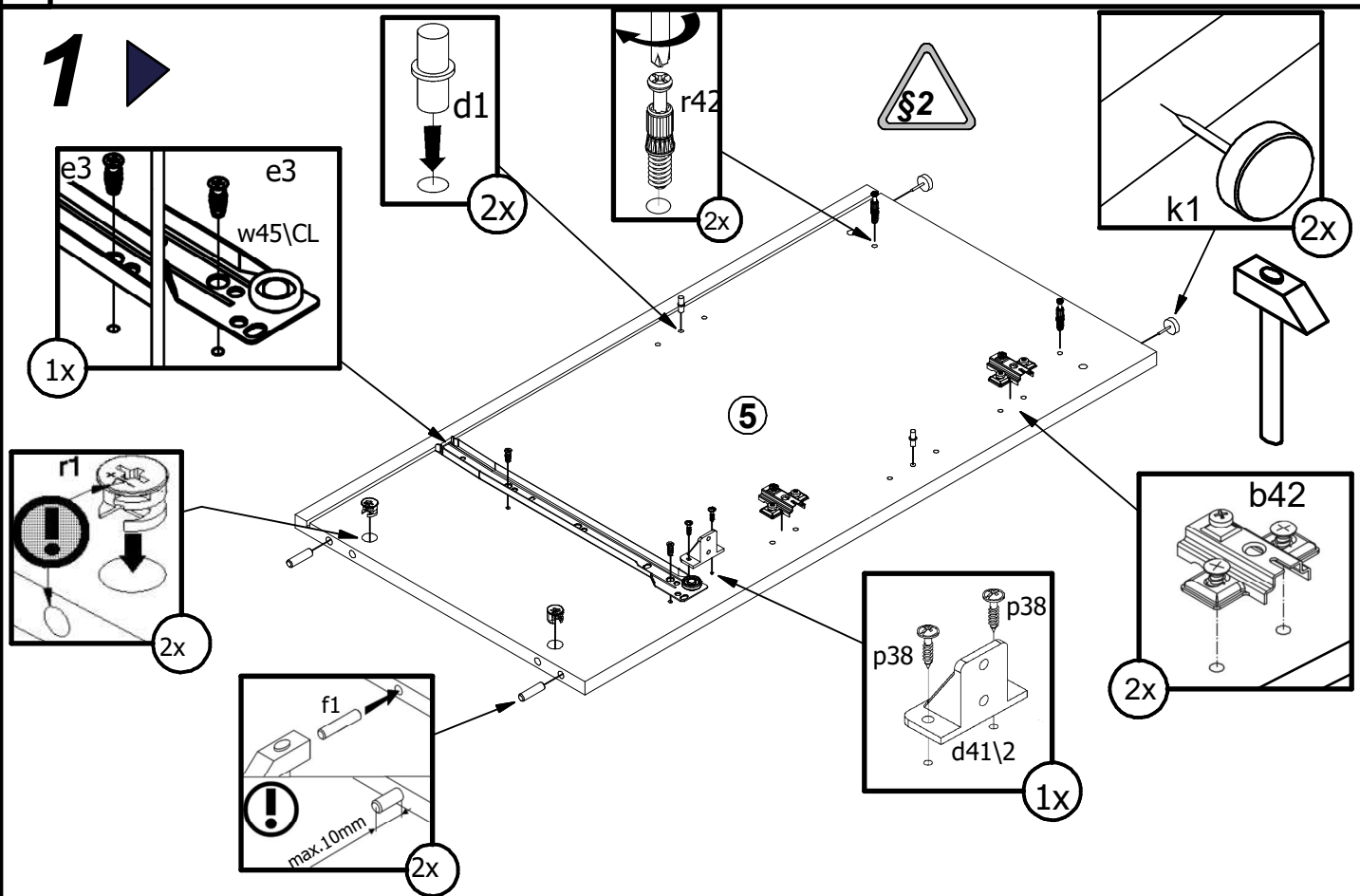




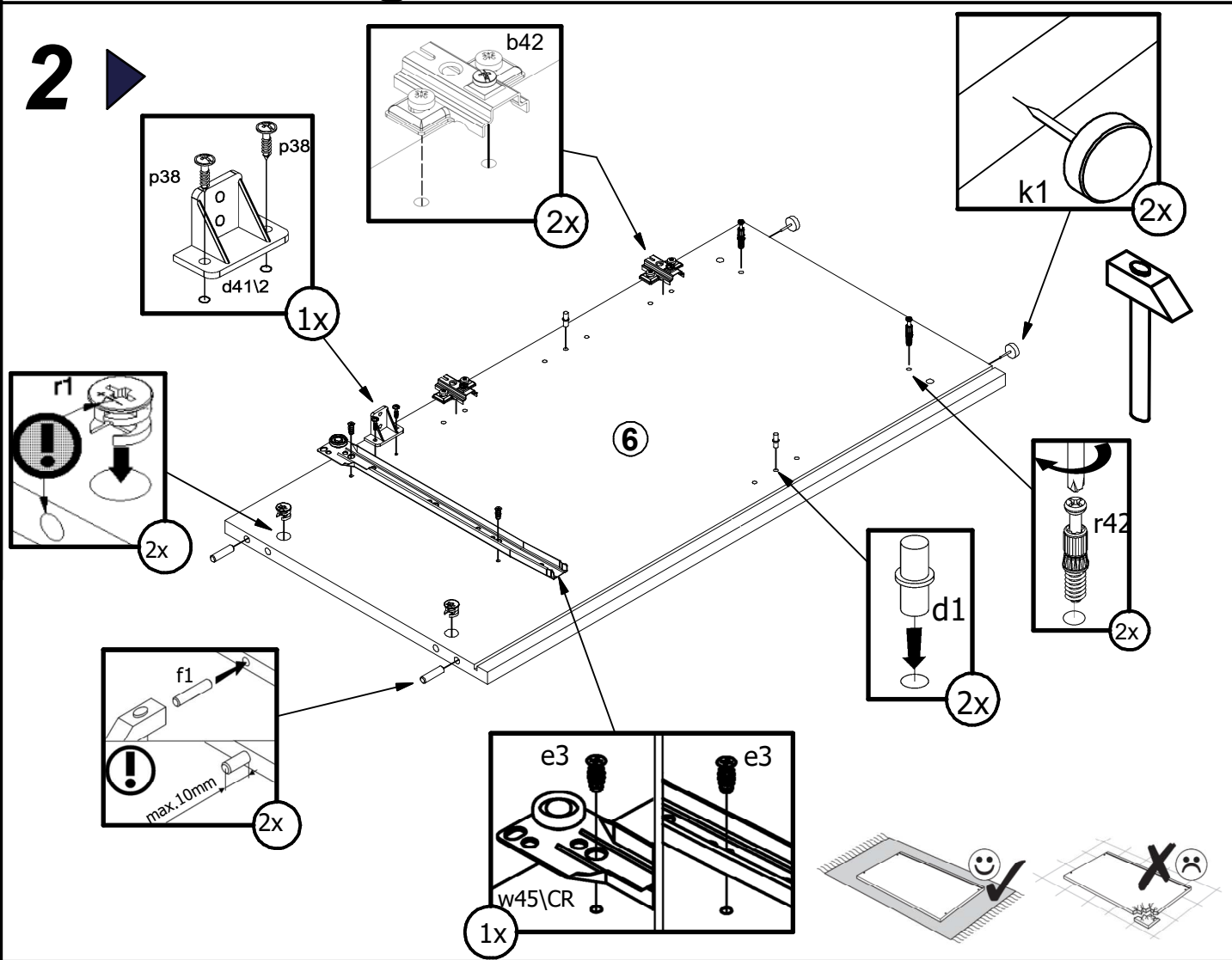
3x



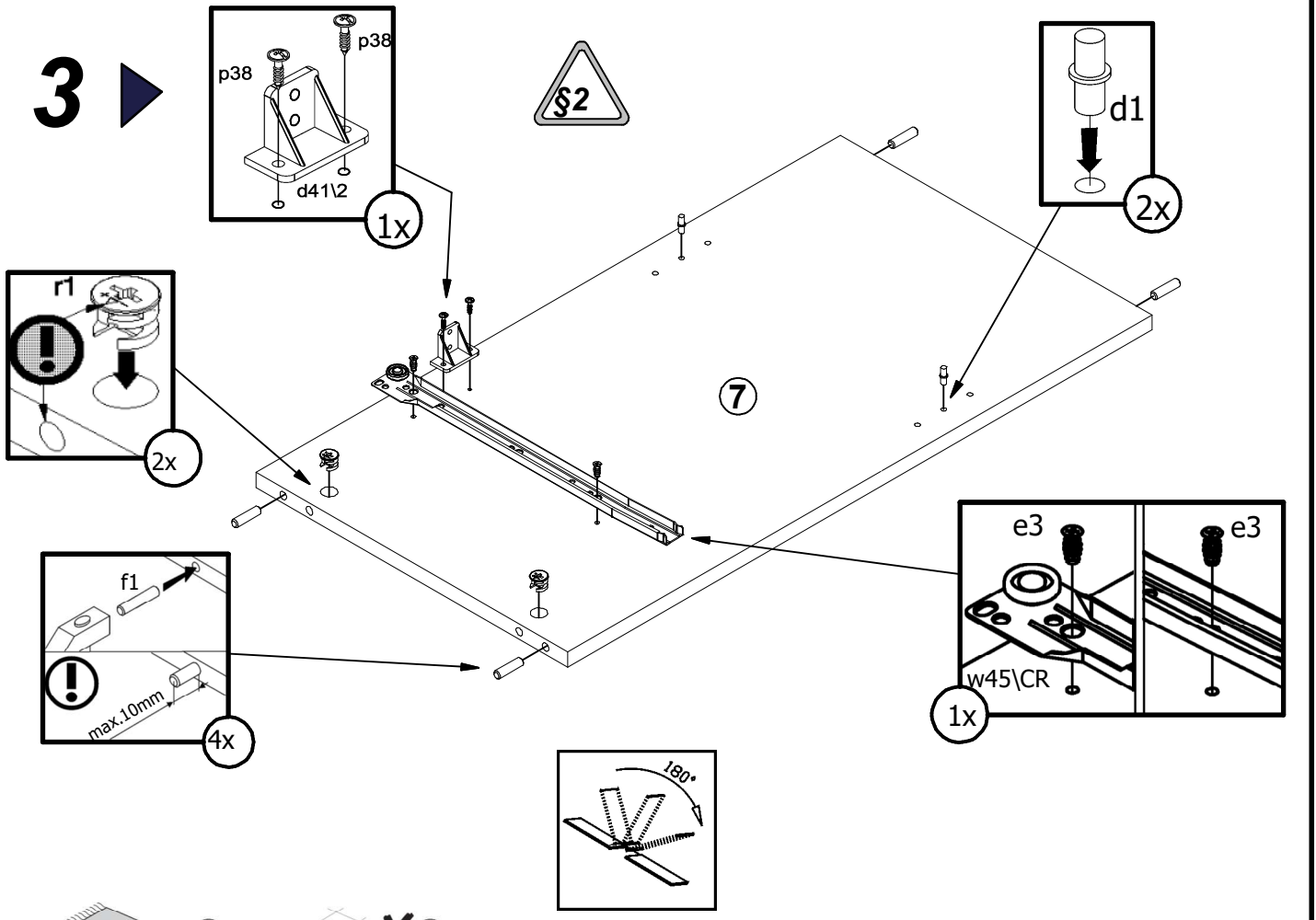
1 ▶



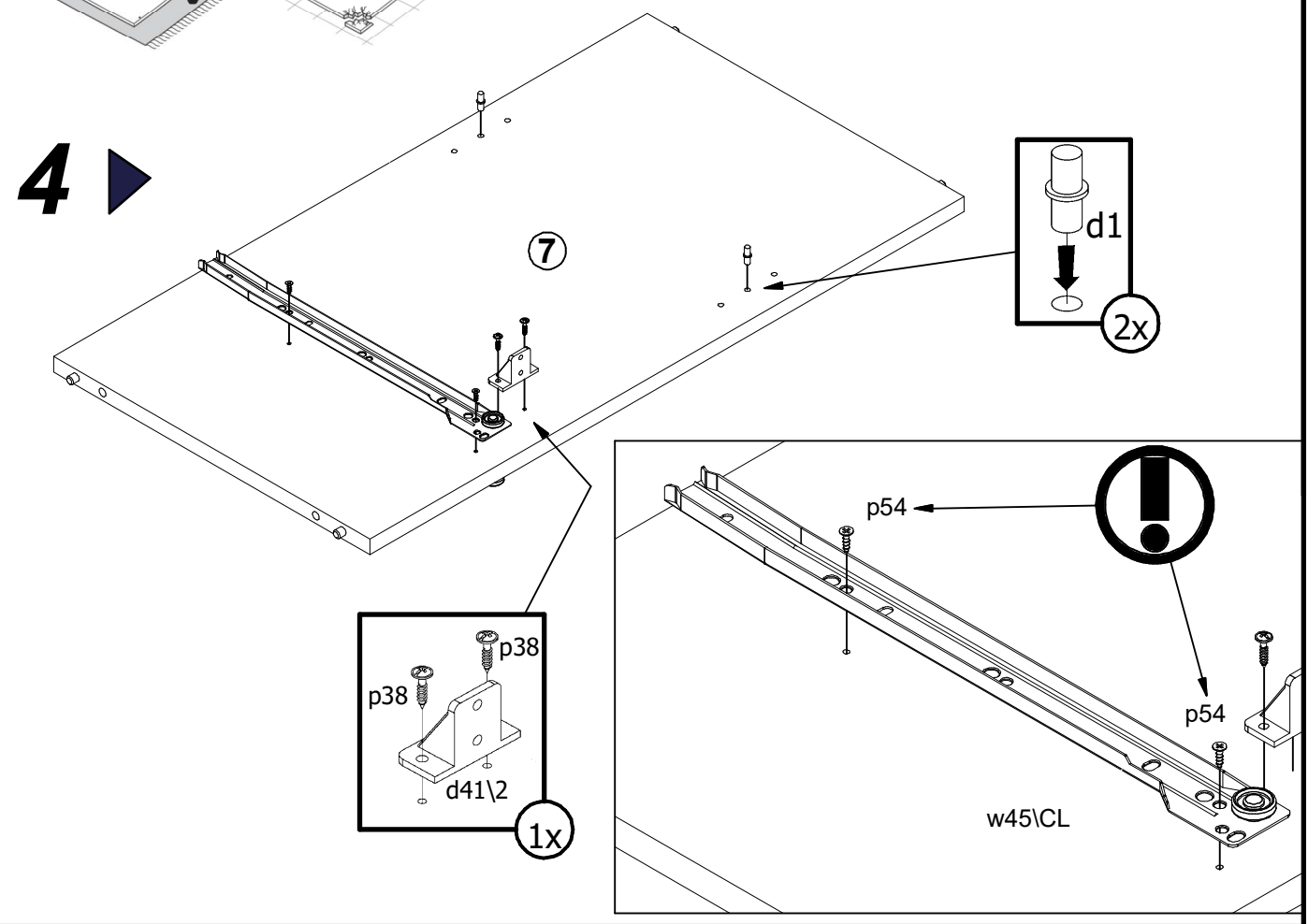
2 ▶

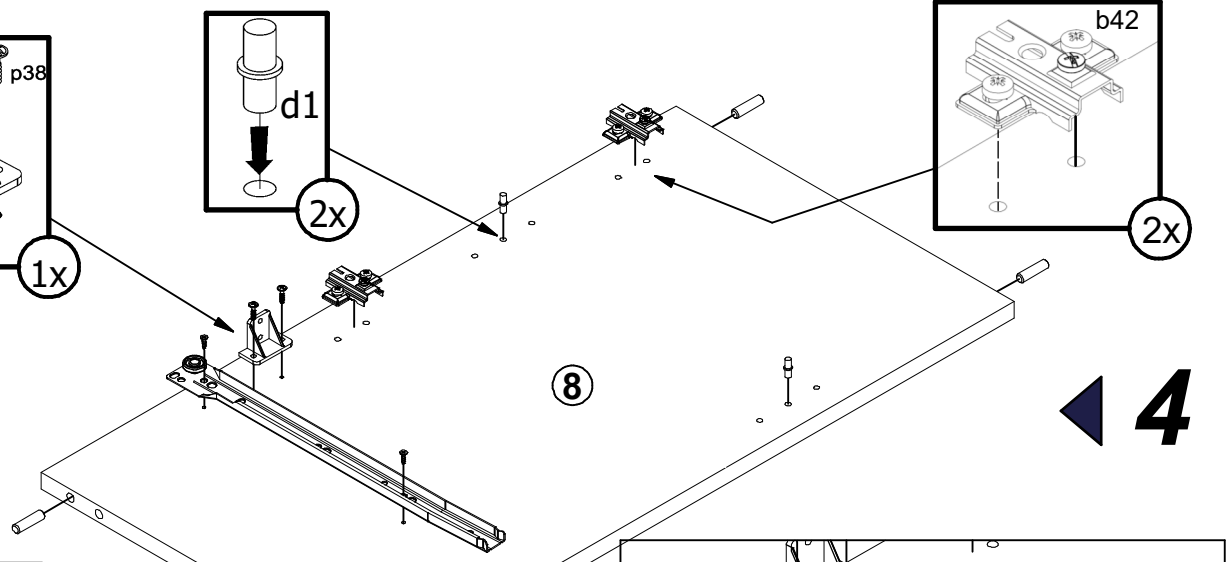
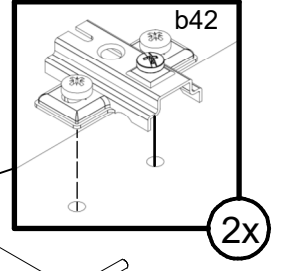
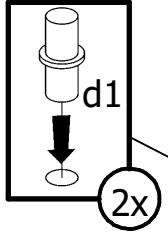
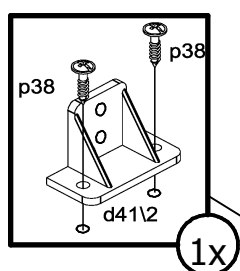


3 ▶

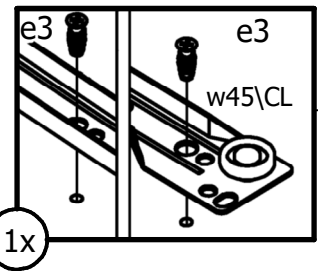
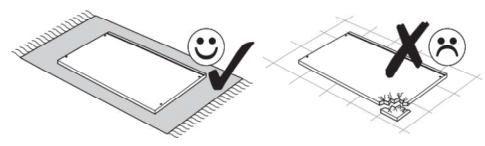
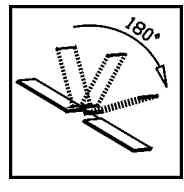
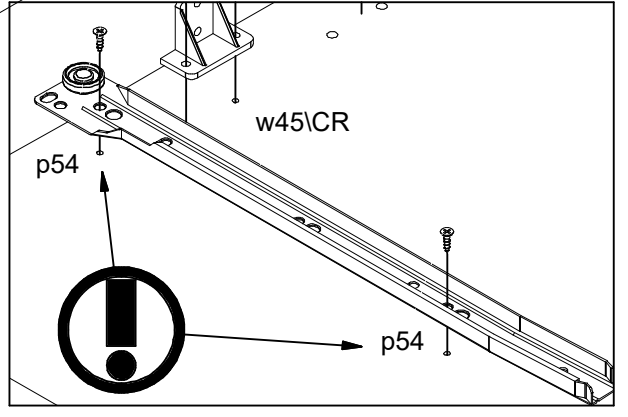
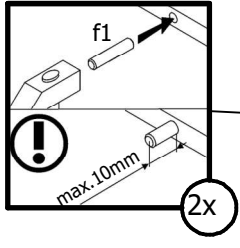


4 ▶

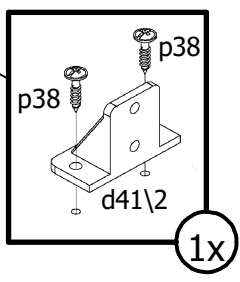
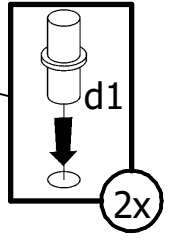
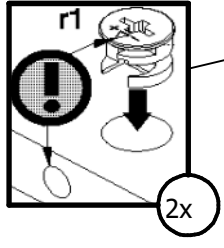
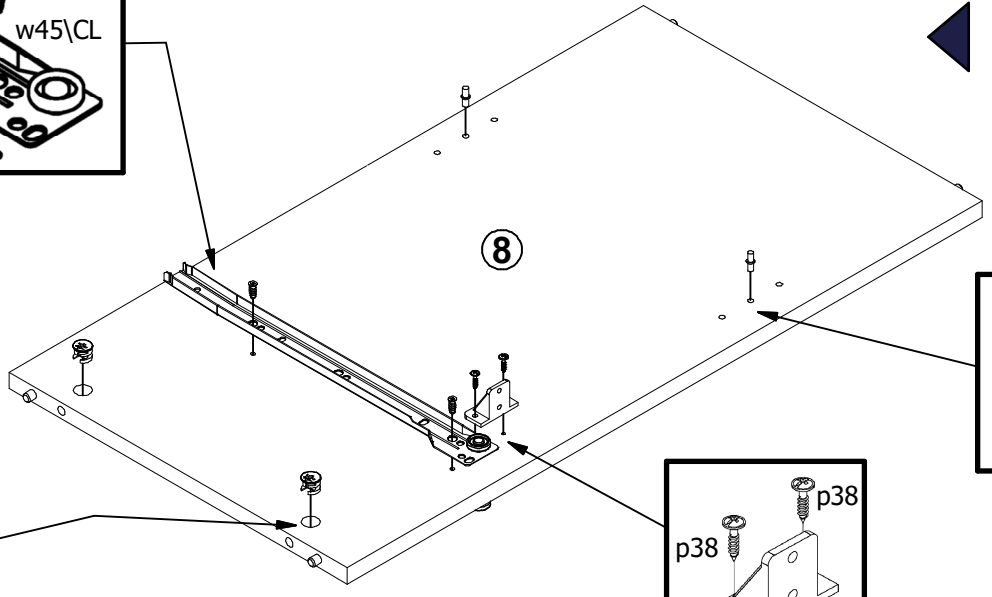




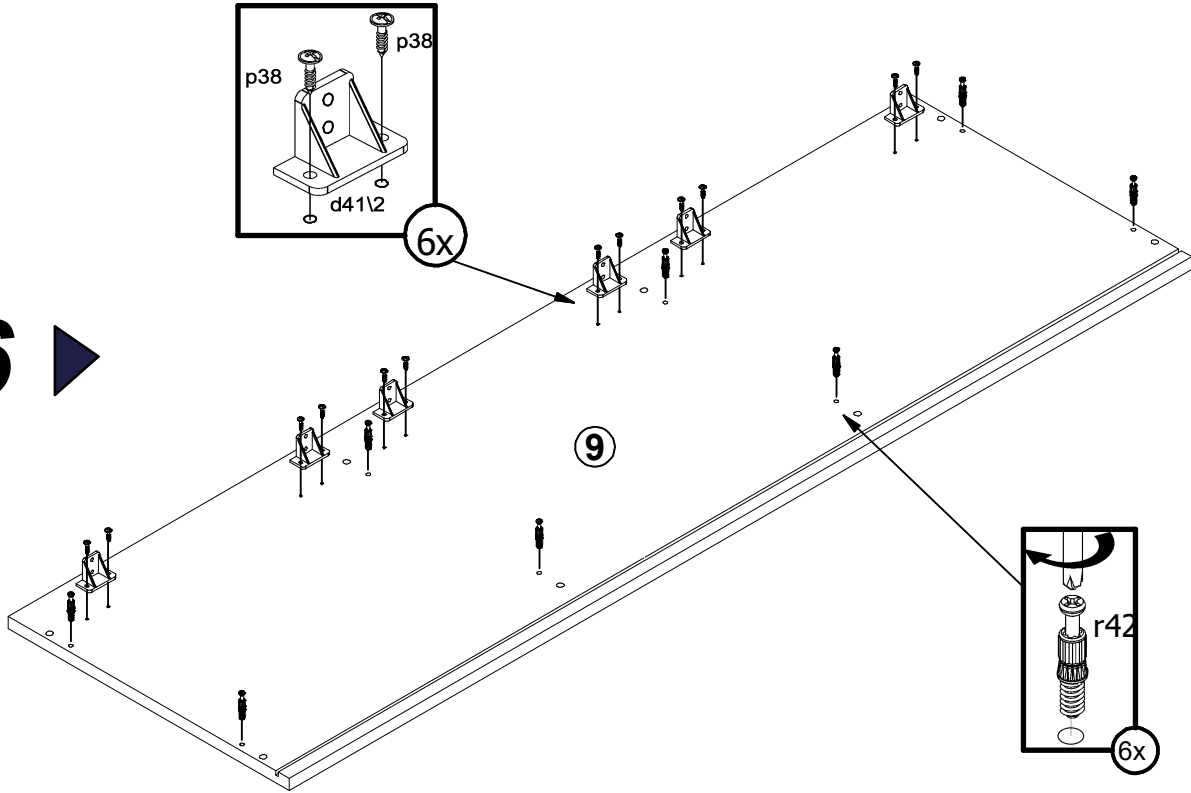
4



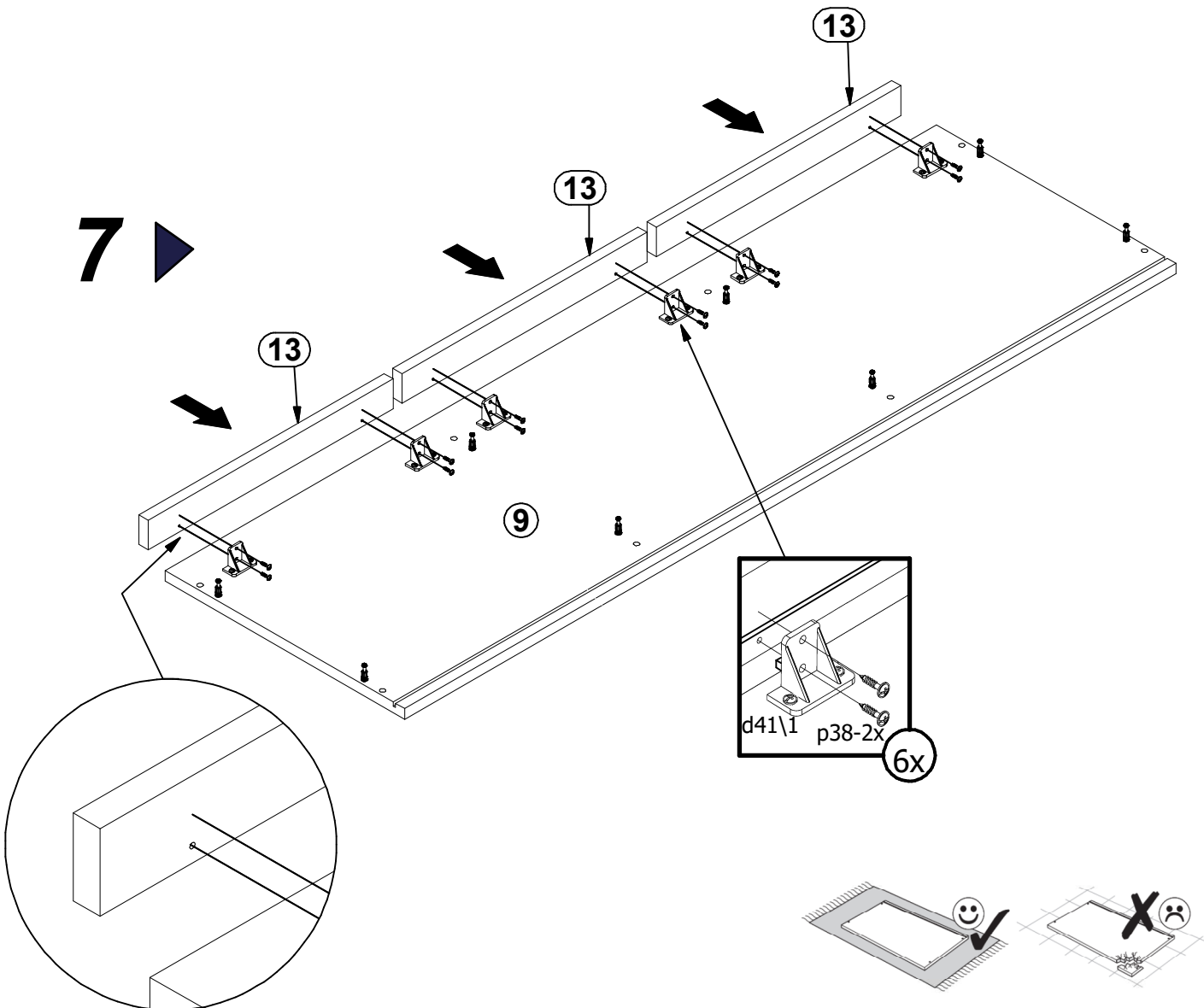
5



6 ▶

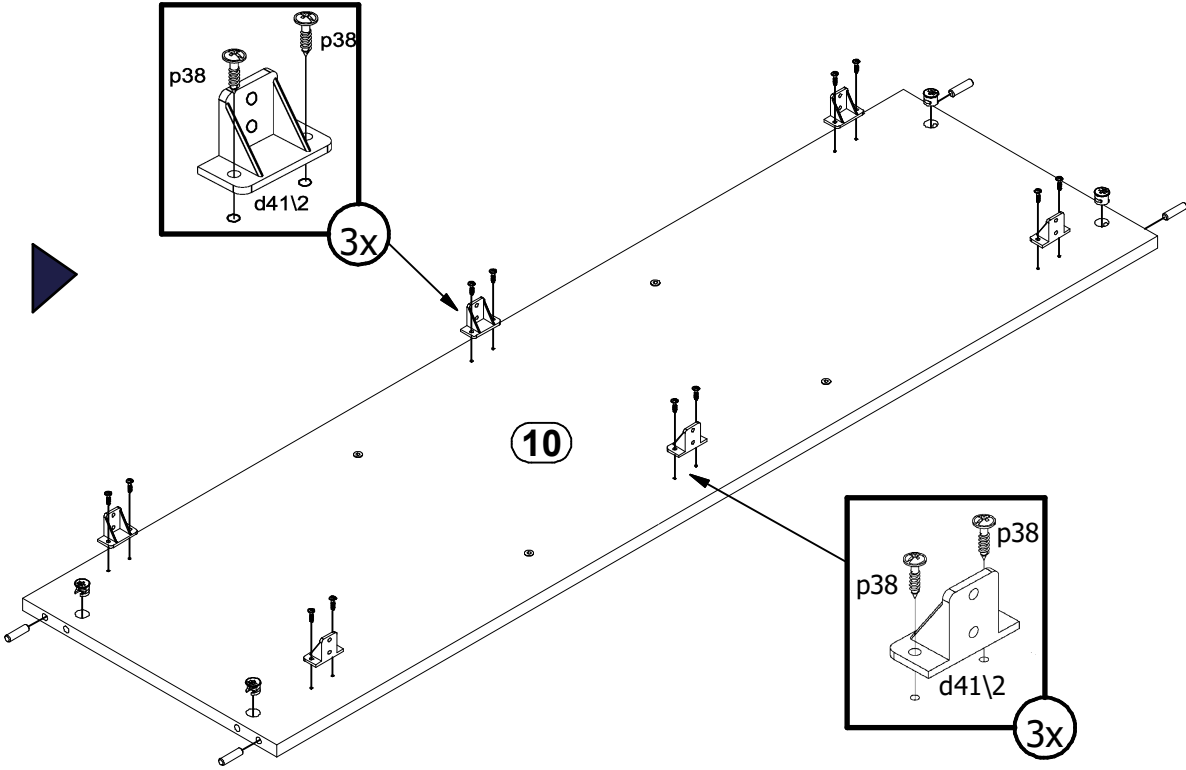


7 ▶

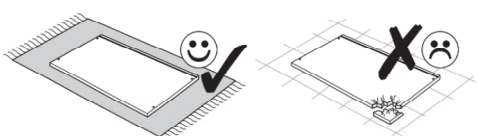
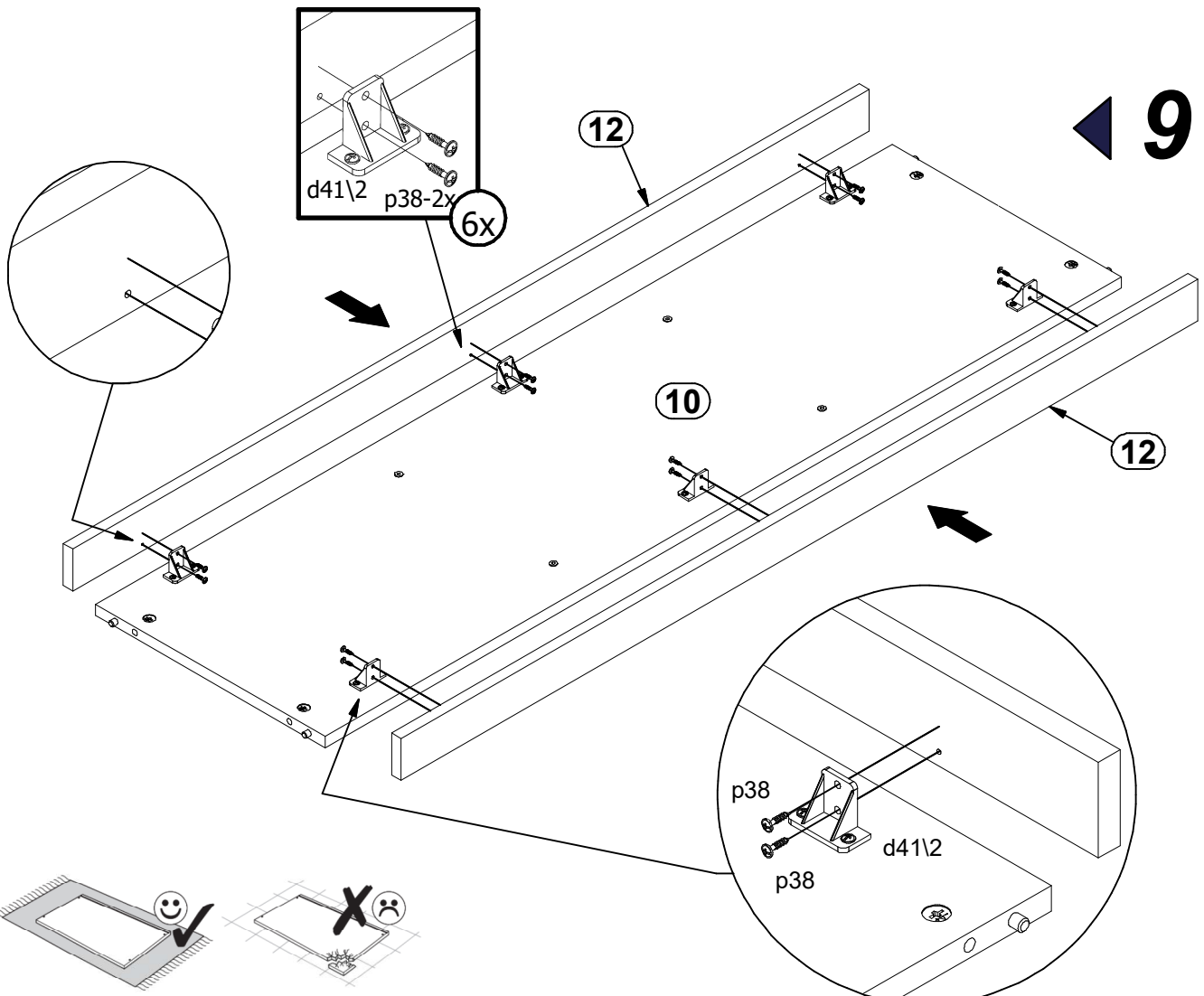




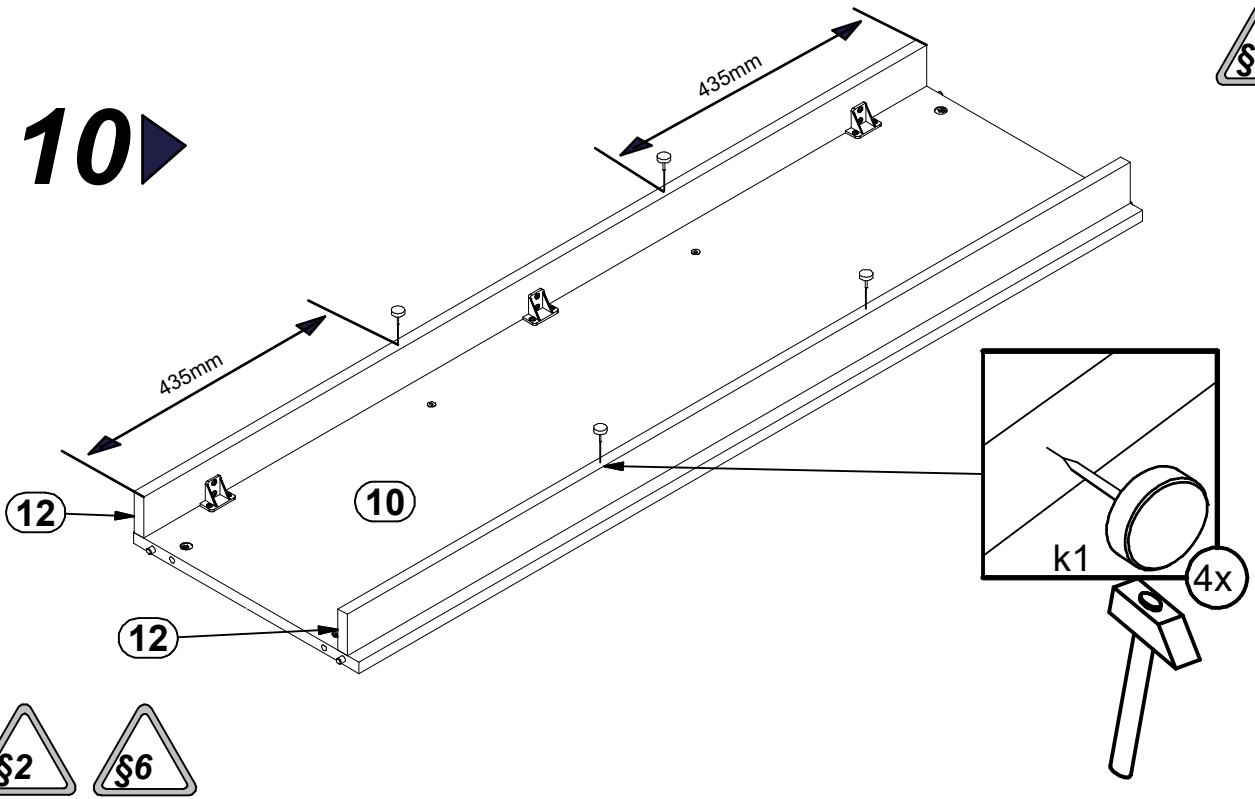
8



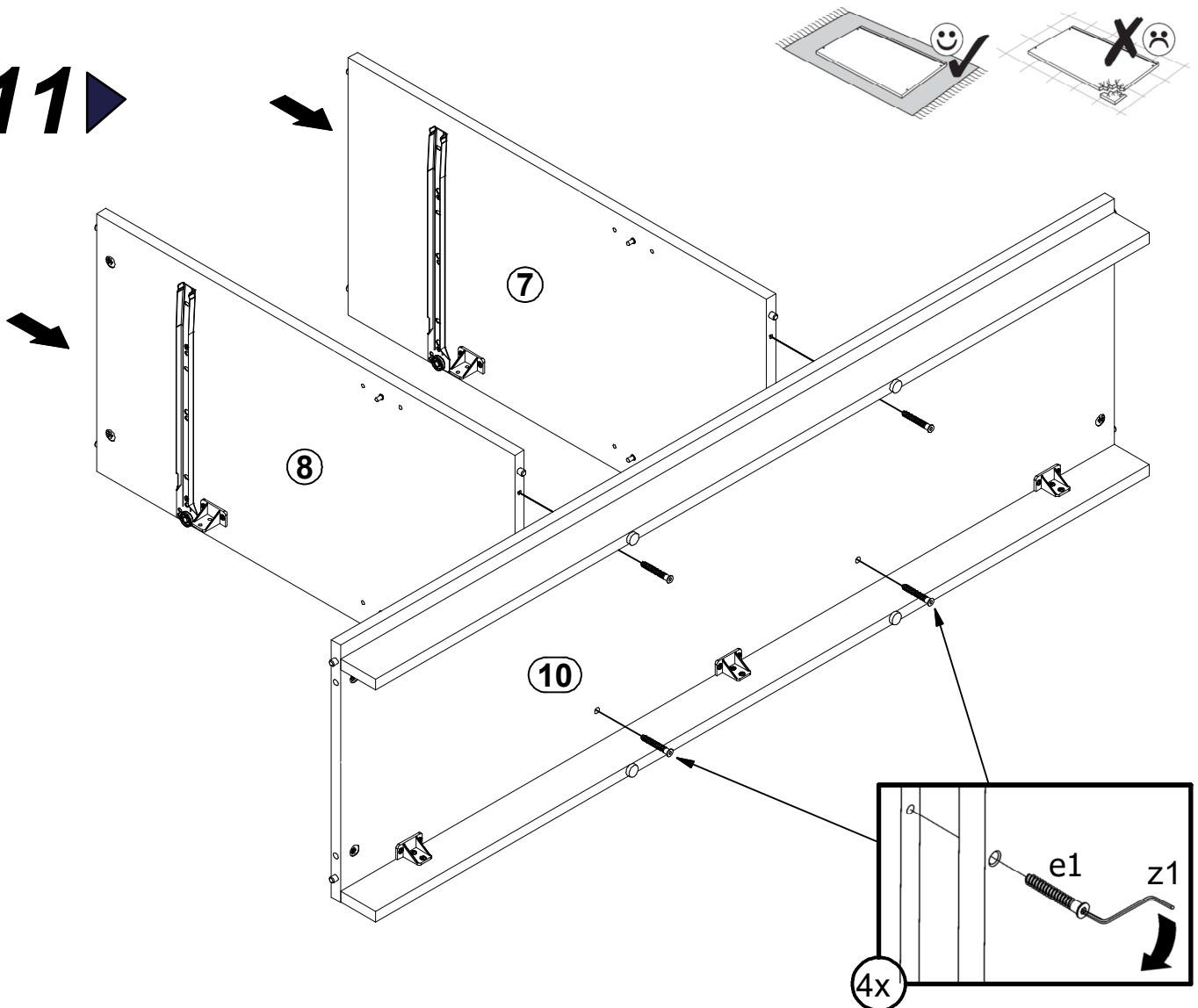
9



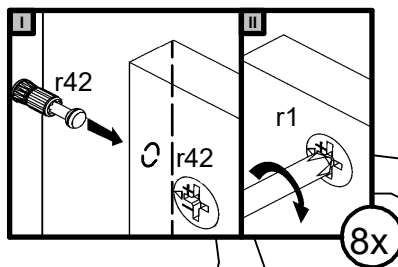
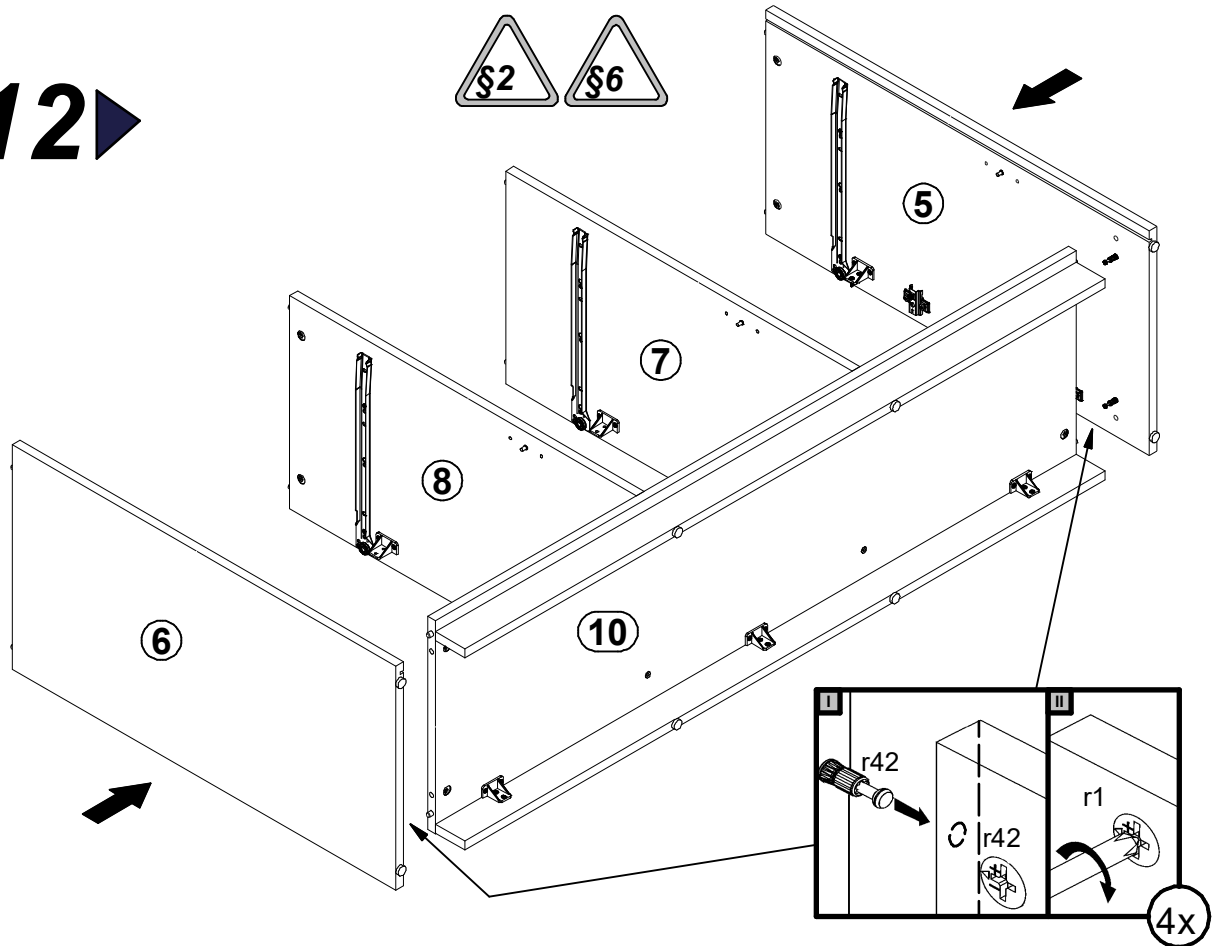
10 ▶



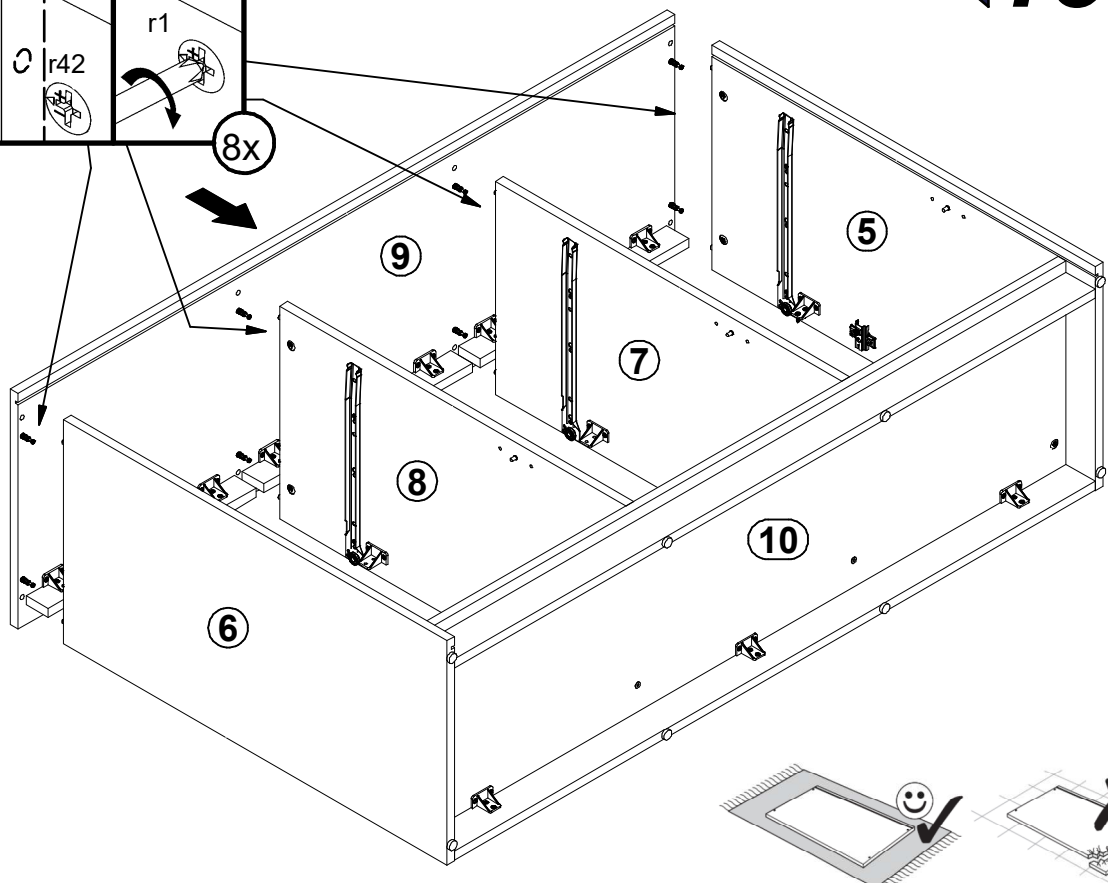
11 ▶



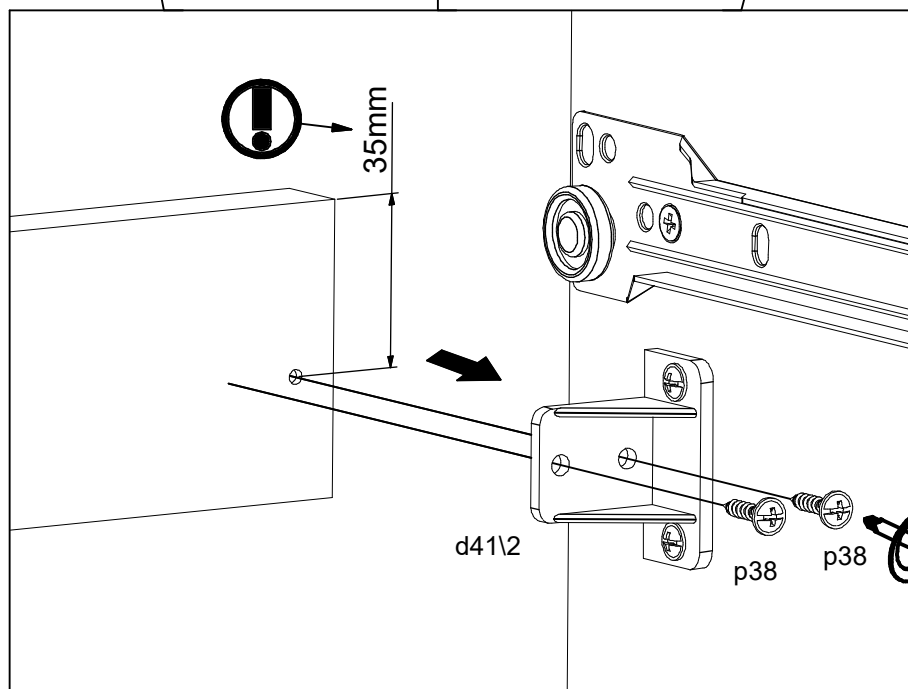
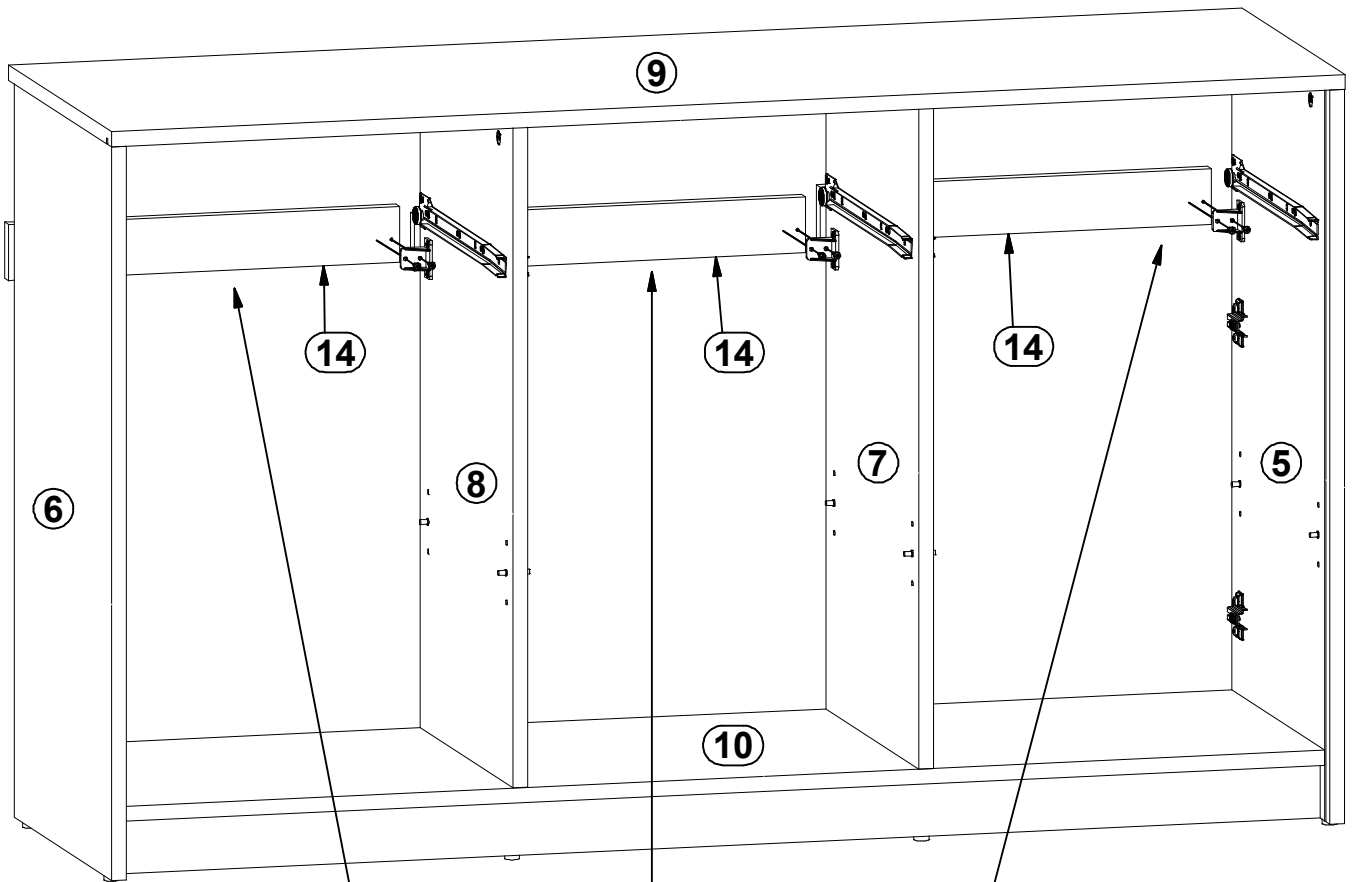
12 ▶



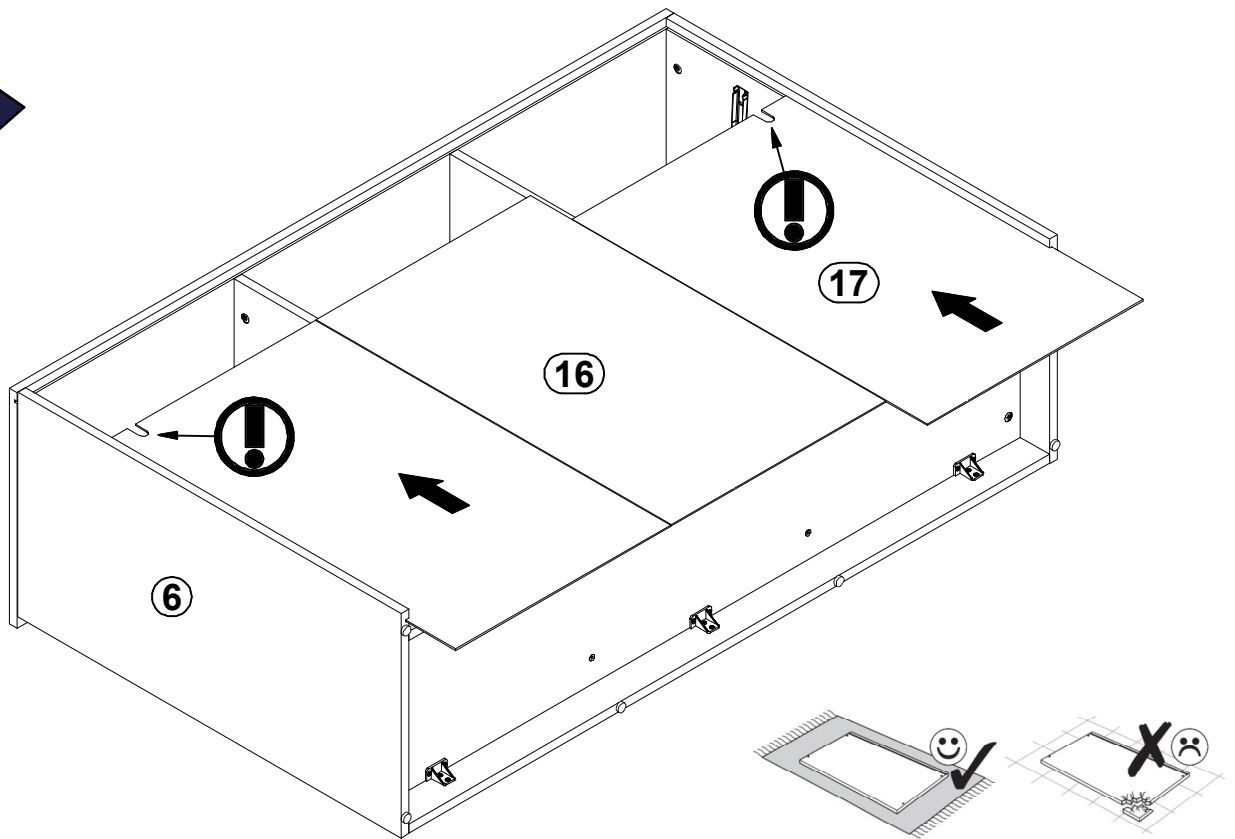
▶ 13



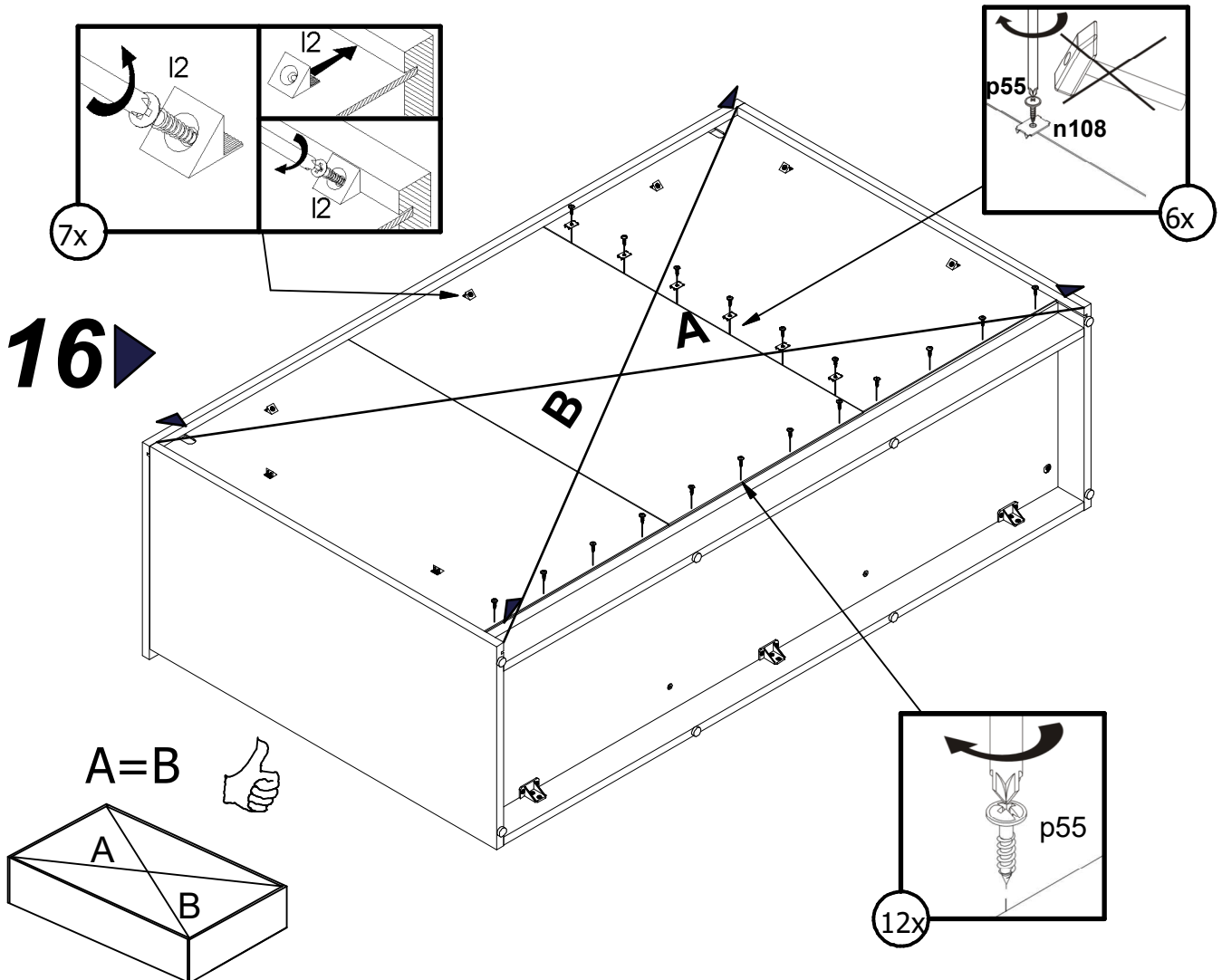
14

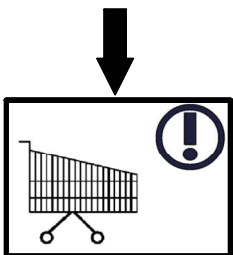
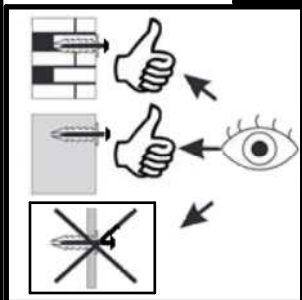
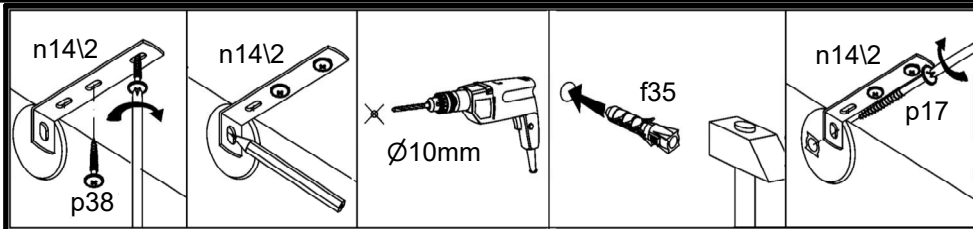


15 ▶

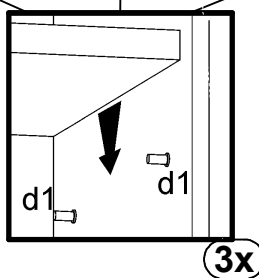
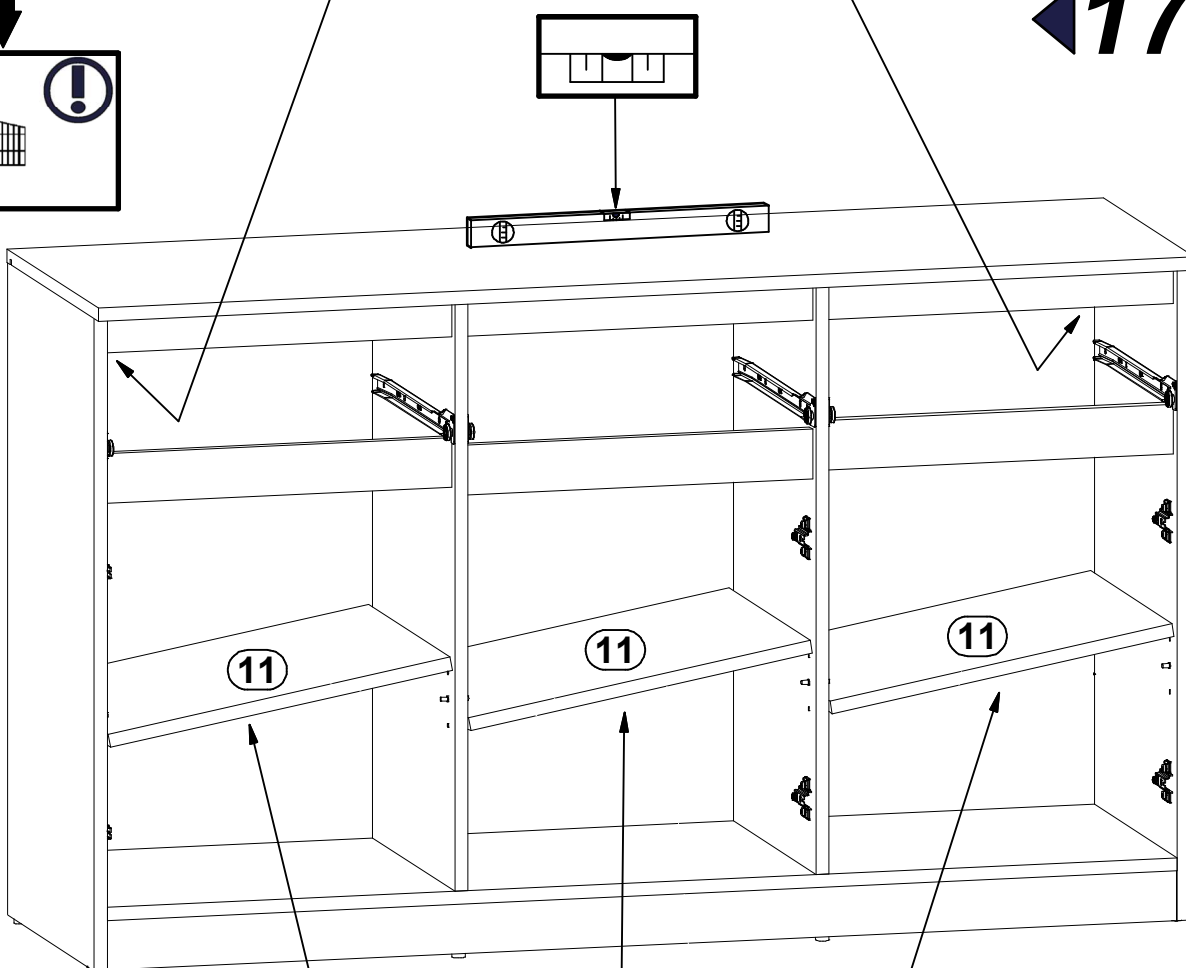


16 ▶



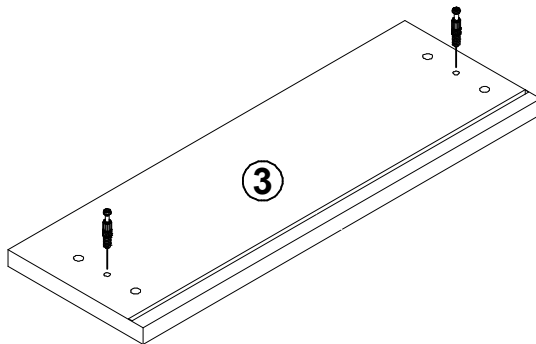
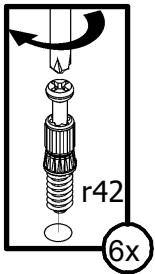
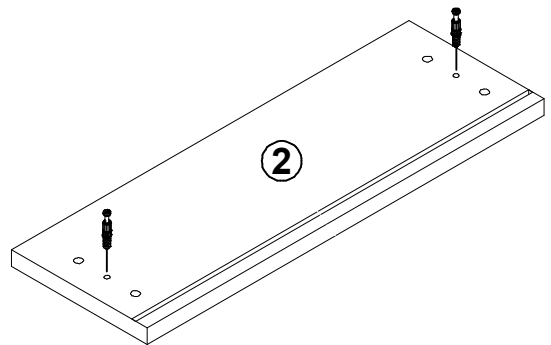
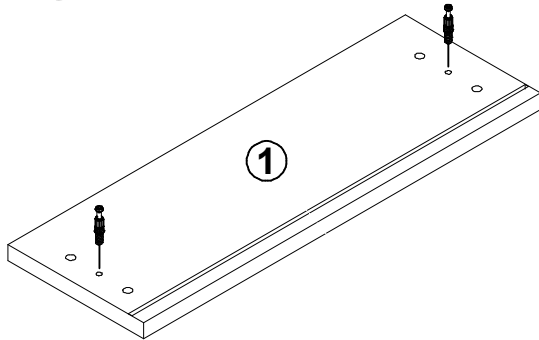


17



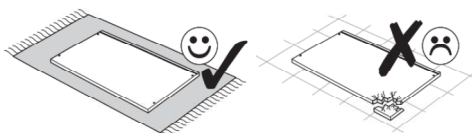
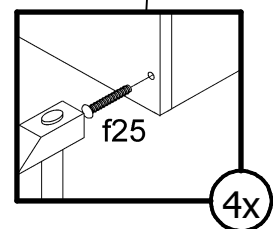
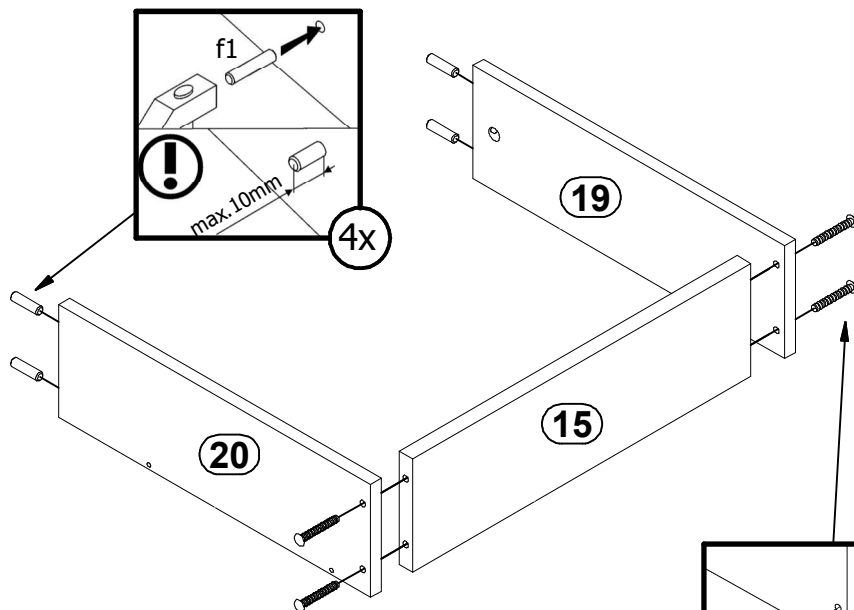


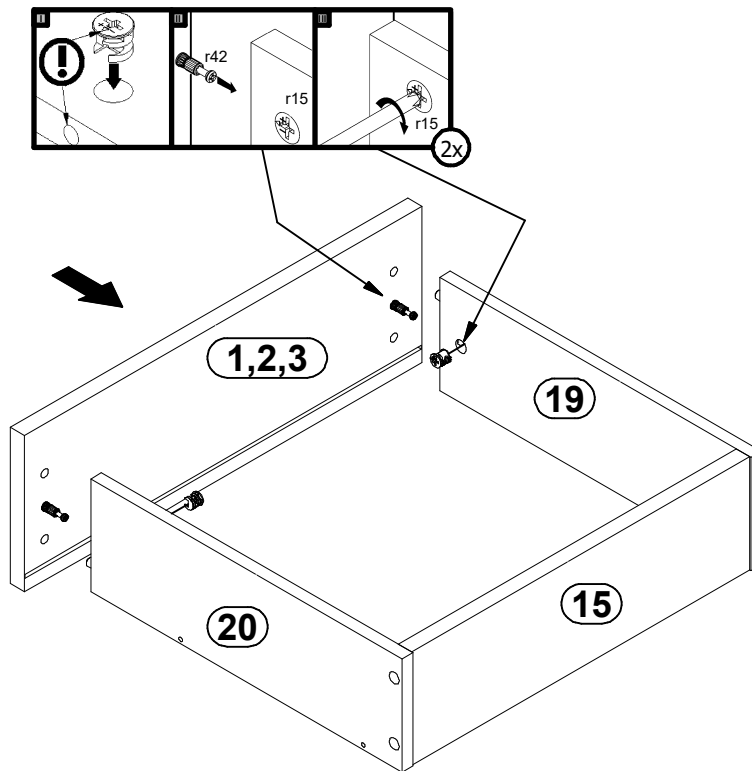
18 ▶



19 ▶

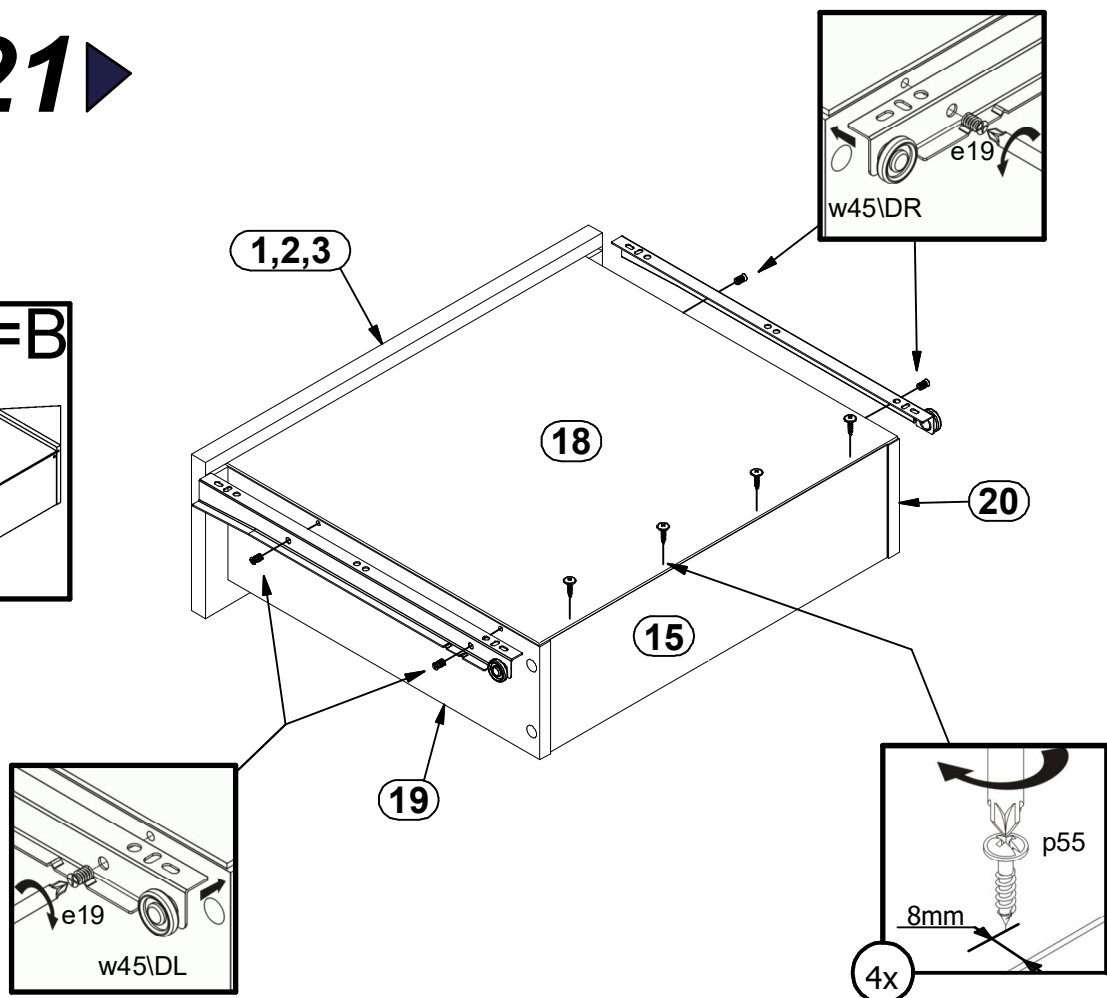
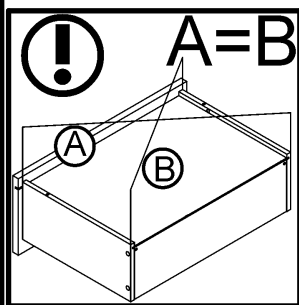
3x



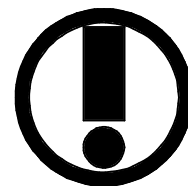
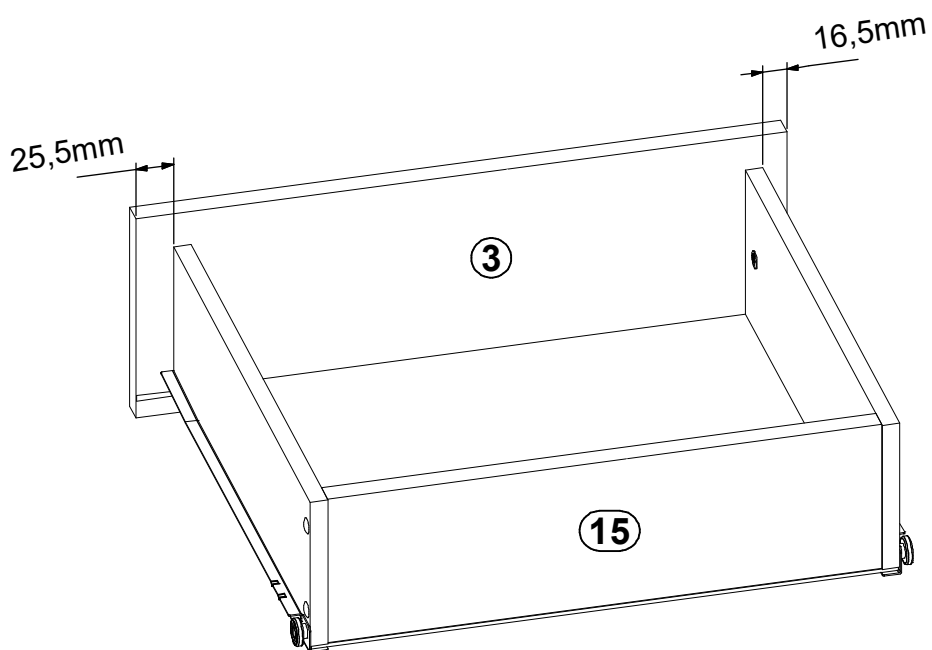
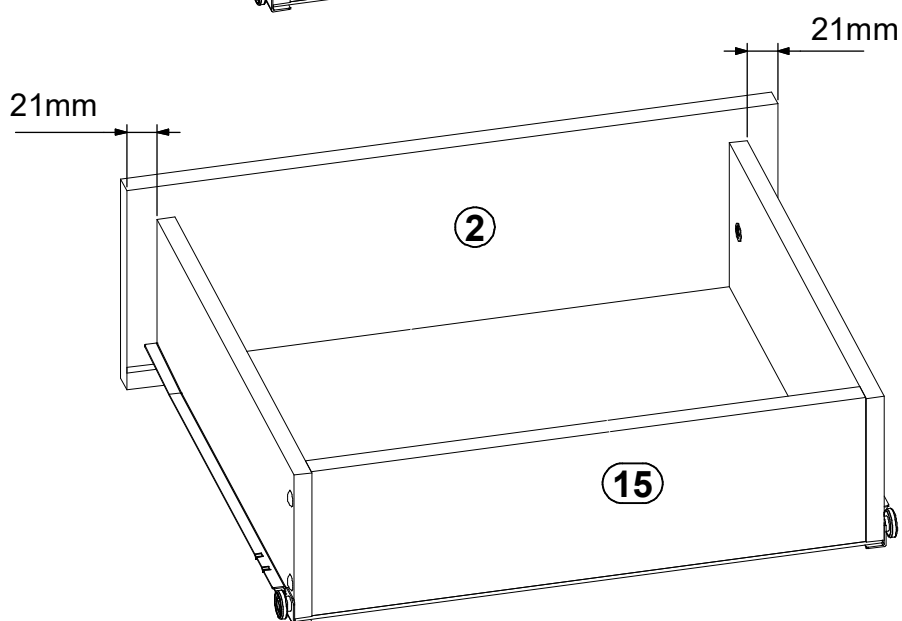
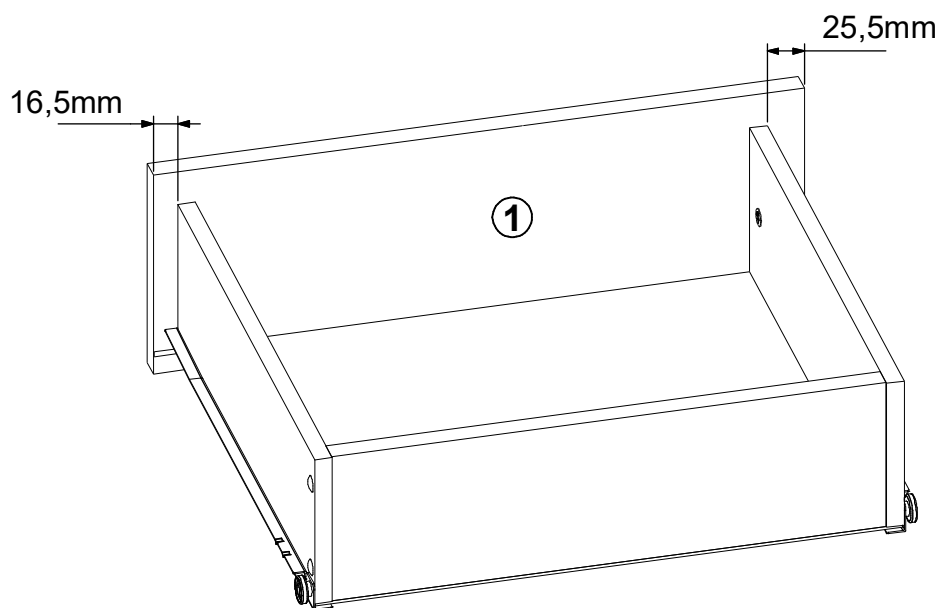


20

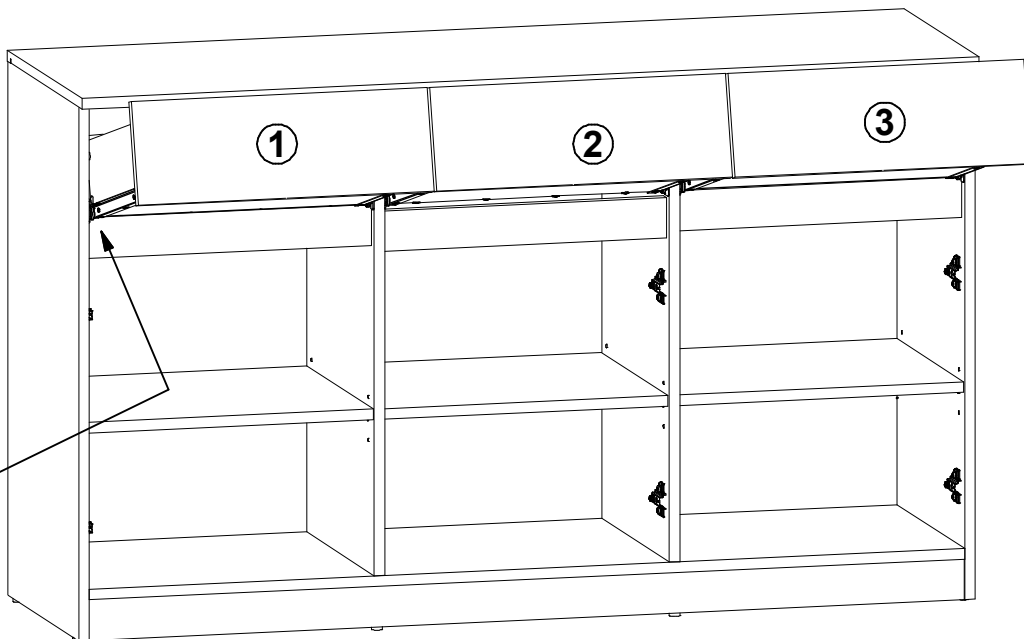
21







22 ▶



23 ▶

