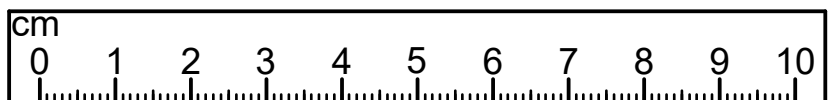
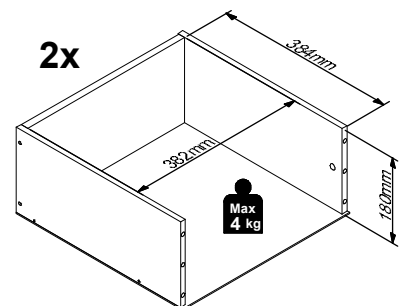
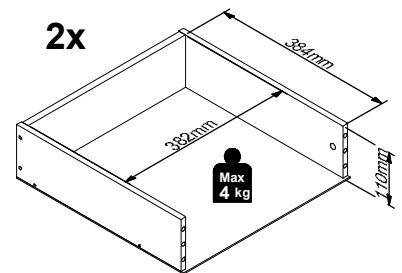
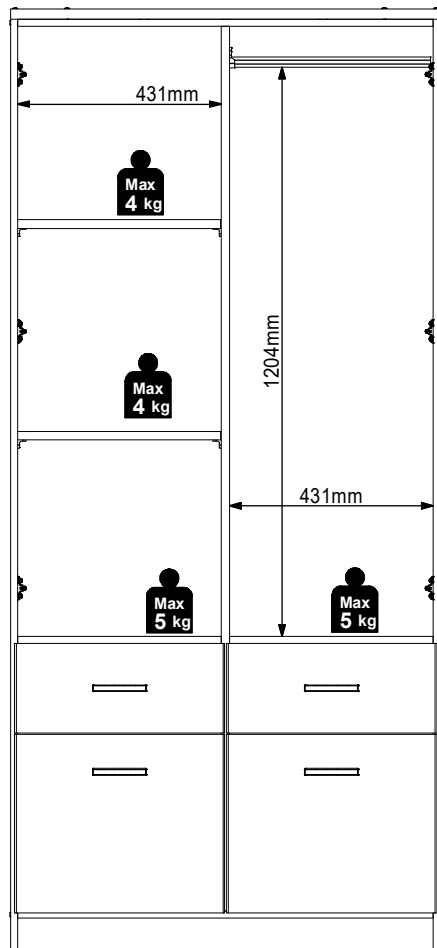
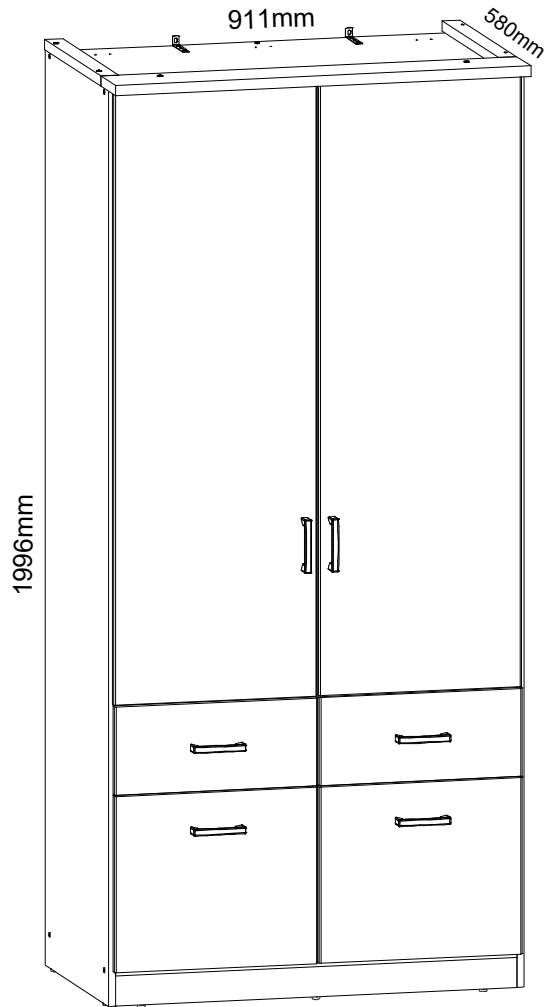
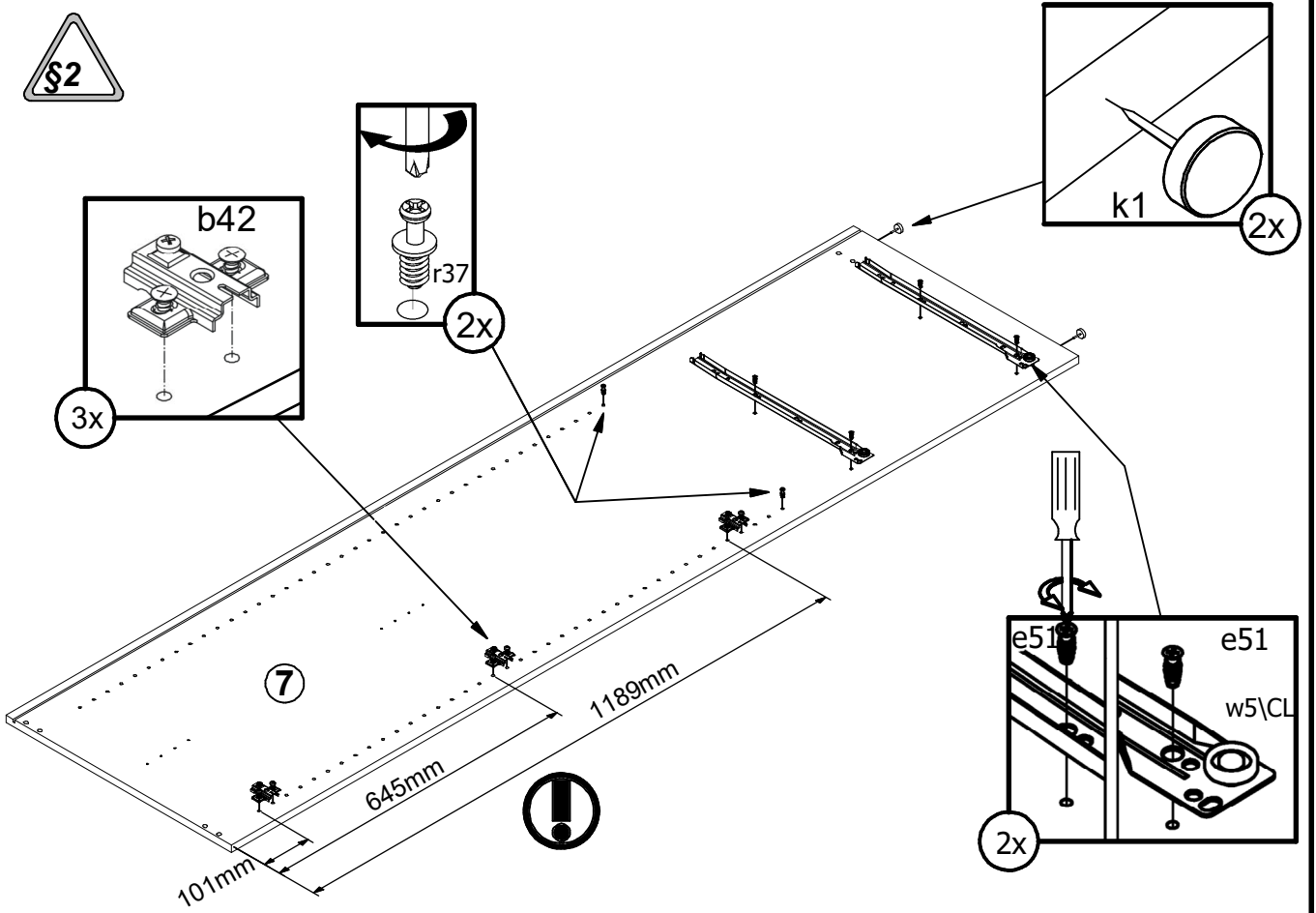


A	B1	B2	C1	C2	C3	D
1	F78-9001	-	1899	446	2,5	3/5
2	F80-0002	-	445	189	15	5/5
3	F80-0003	A	445	379	15	5/5
4	F80-0004	-	1316	445	15	5/5
5	F80-1018	-	1968	523	15	4/5
6	F80-1019	-	1873	503	18	3/5
7	F80-1020	-	1968	523	15	4/5
8	F80-3002	-	431	480	18	1/5
9	F80-3004	-	431	503	18	1/5
10	F80-3021	-	880	503	15	2/5
11	F80-4003	-	460	40	22	1/5
12	F80-4011	-	880	65	15	2/5
13	F80-4012	-	911	120	22	2/5
14	F80-5401	-	382	110	15	2/5
15	F80-5402	-	382	180	15	2/5
16	WSP-9603	-	406	406	2,5	1/5
17	WSR2-5007	-	400	110	12	2/5
18	WSR2-5008	-	400	110	12	2/5
19	WSR4-5007	A	400	180	12	2/5
20	WSR4-5008	A	400	180	12	2/5
21	dr-422	-	422	22	15	1/5

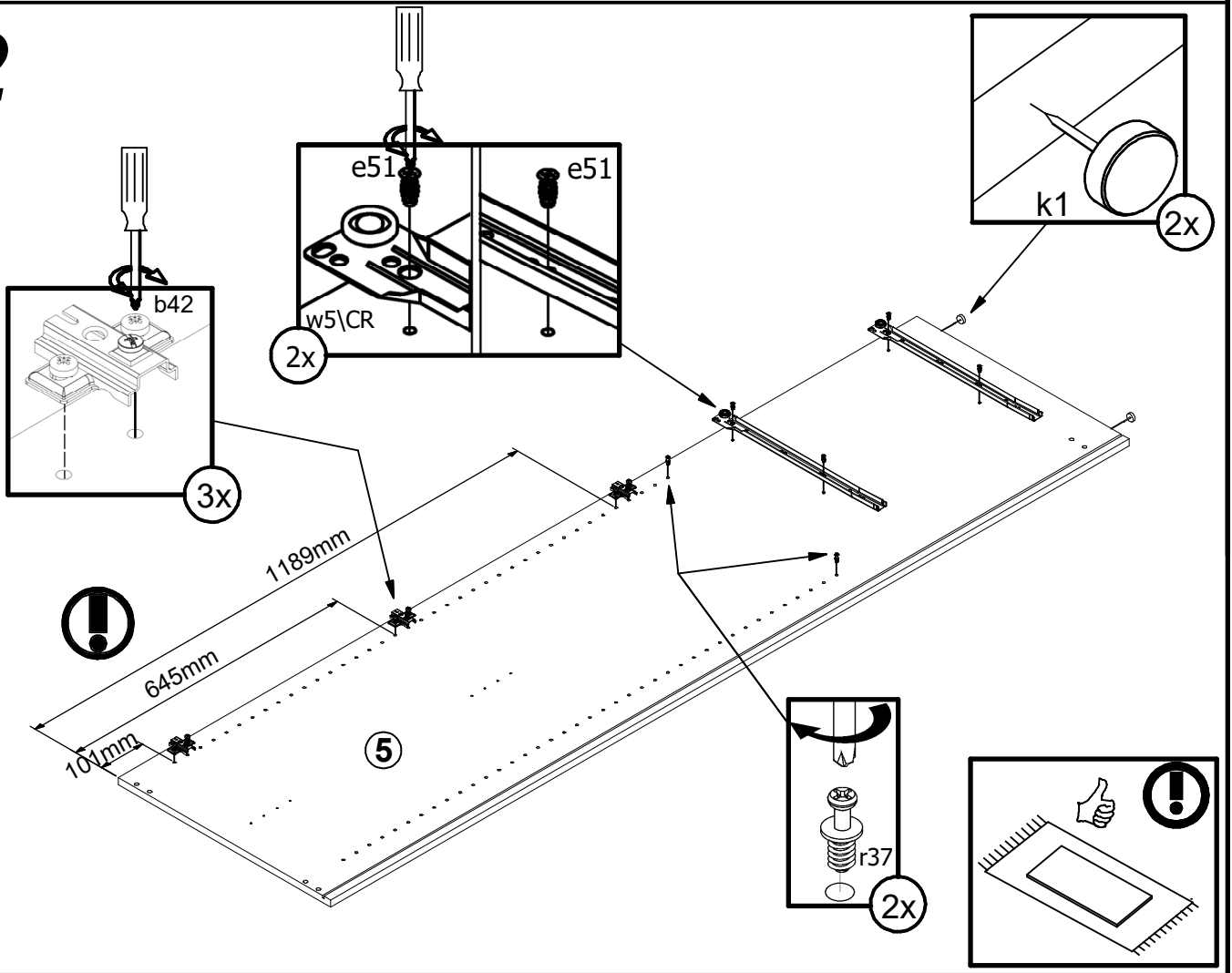




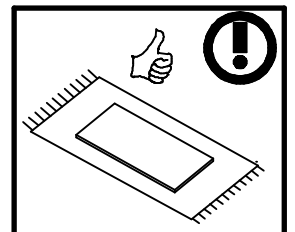
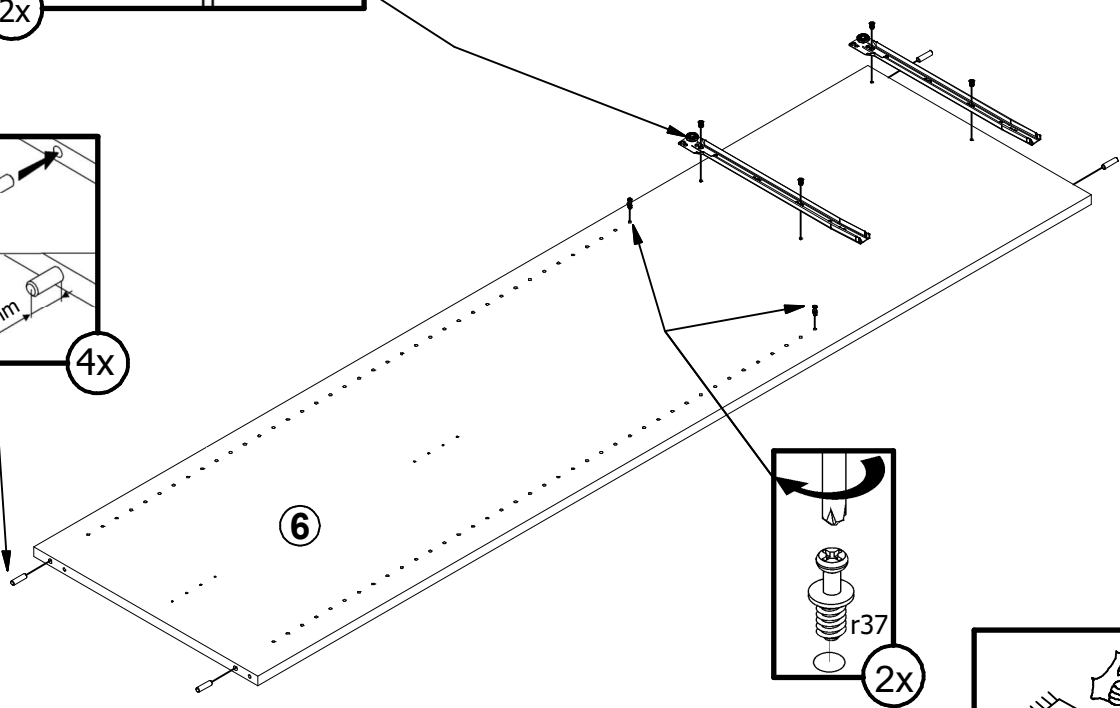
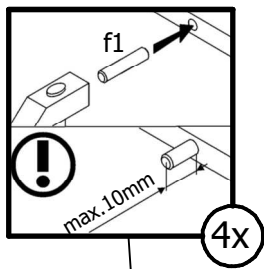
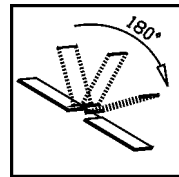
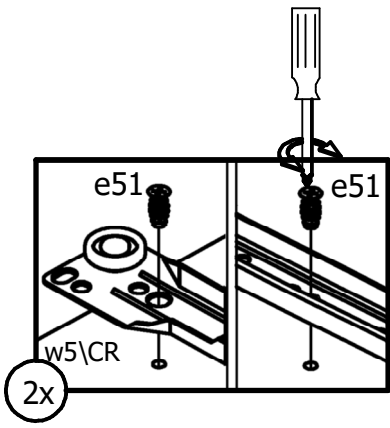
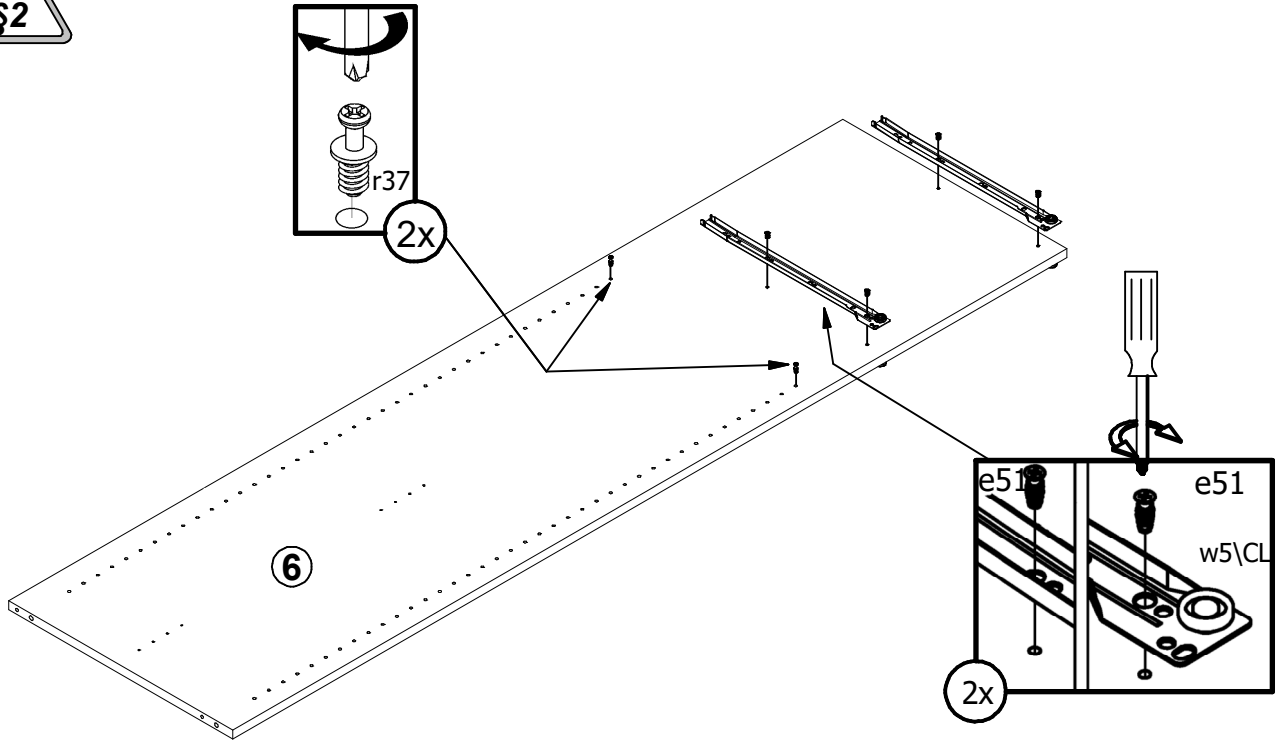
1



2



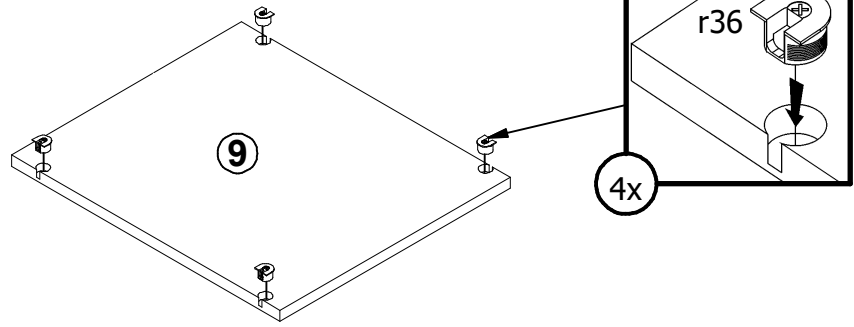
3



4



2x

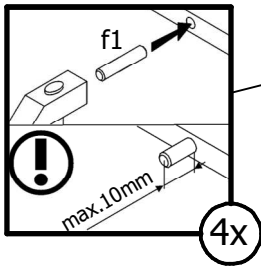


5

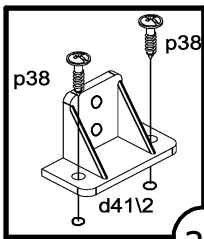
1x



10



6

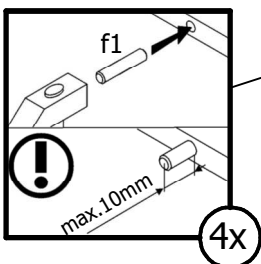


3x

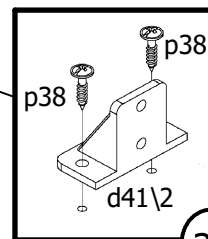


1x

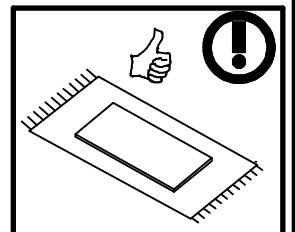
10



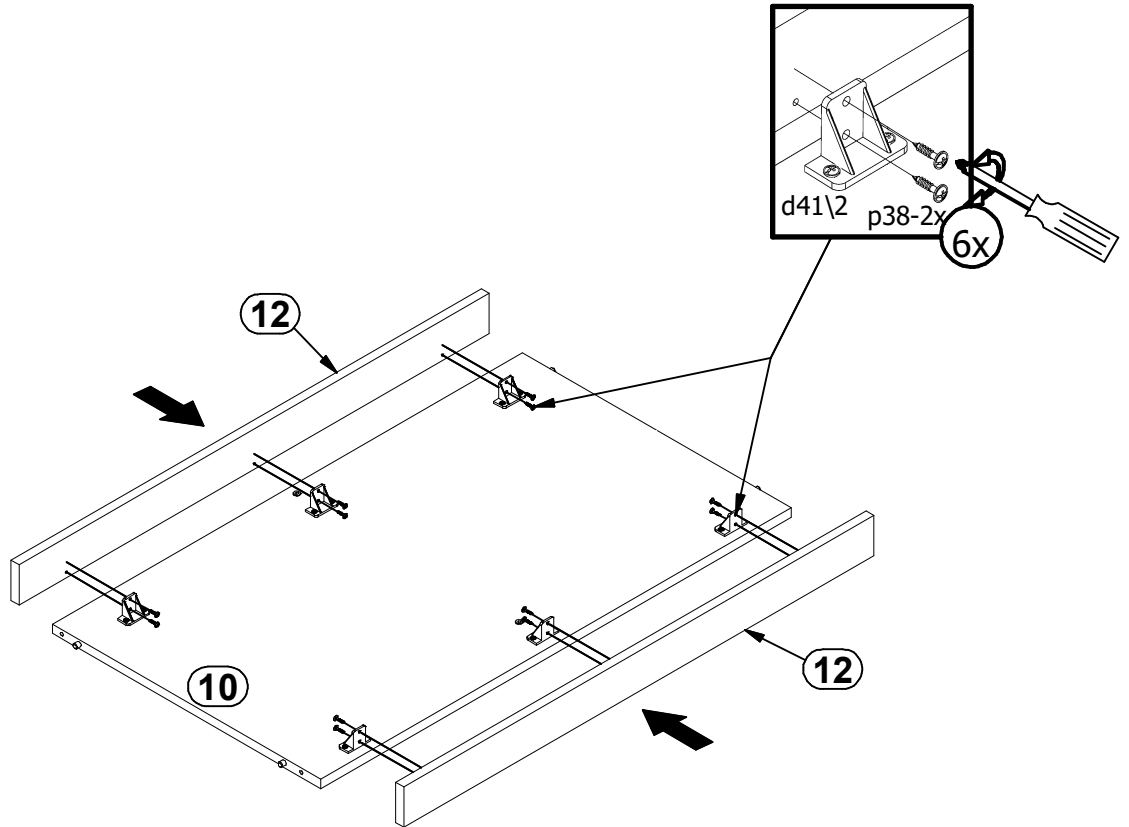
4x



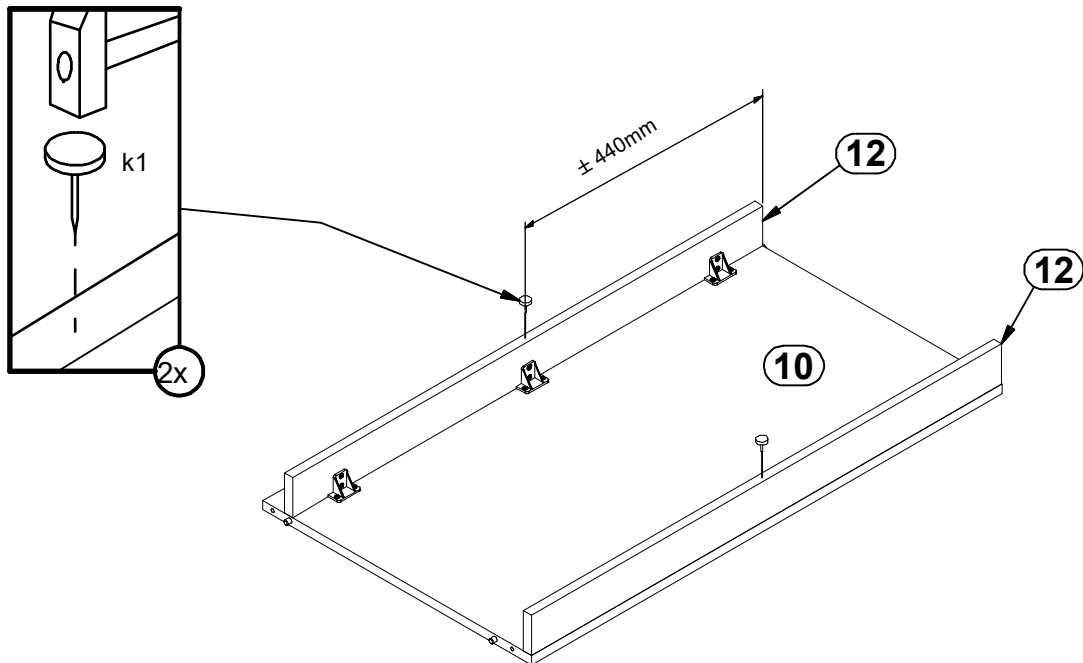
3x



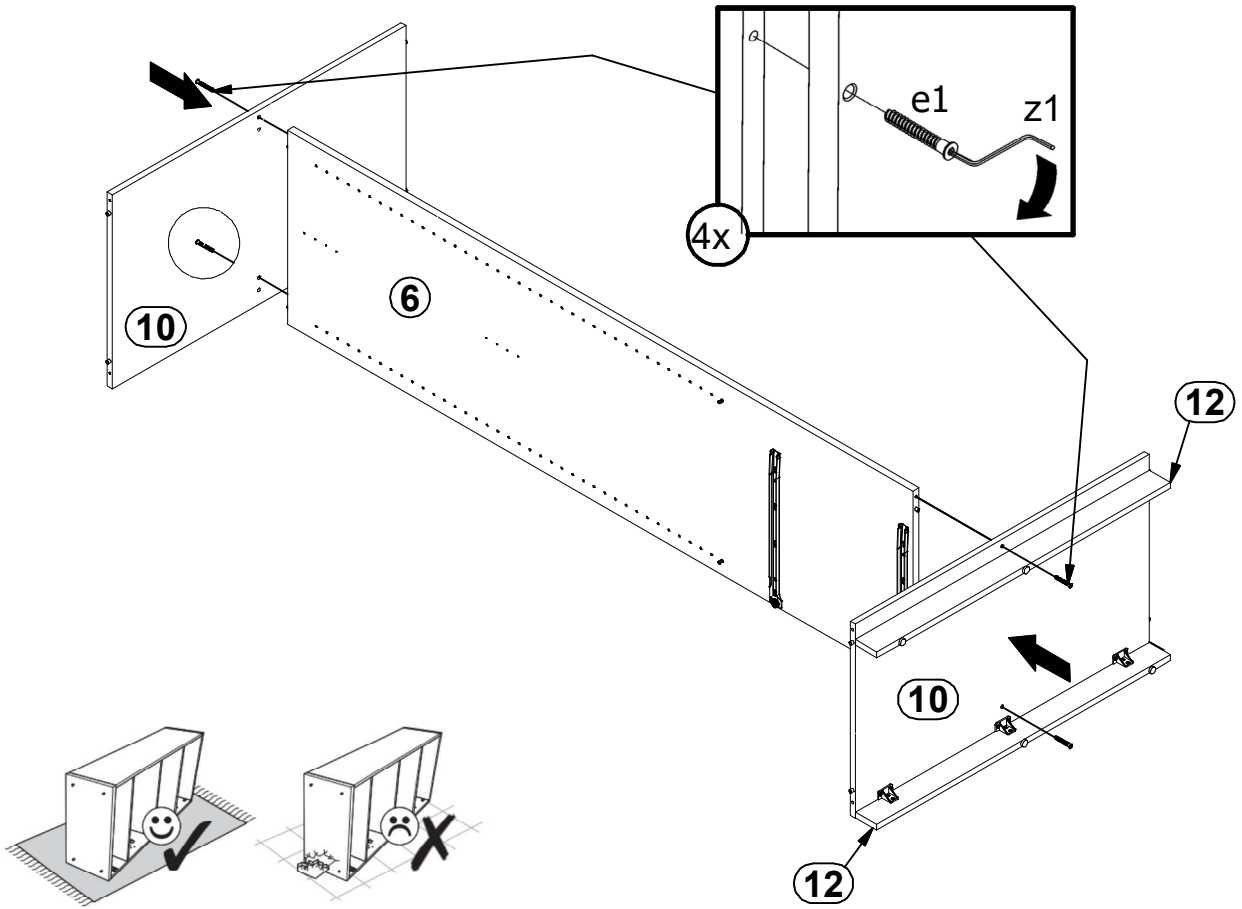
7



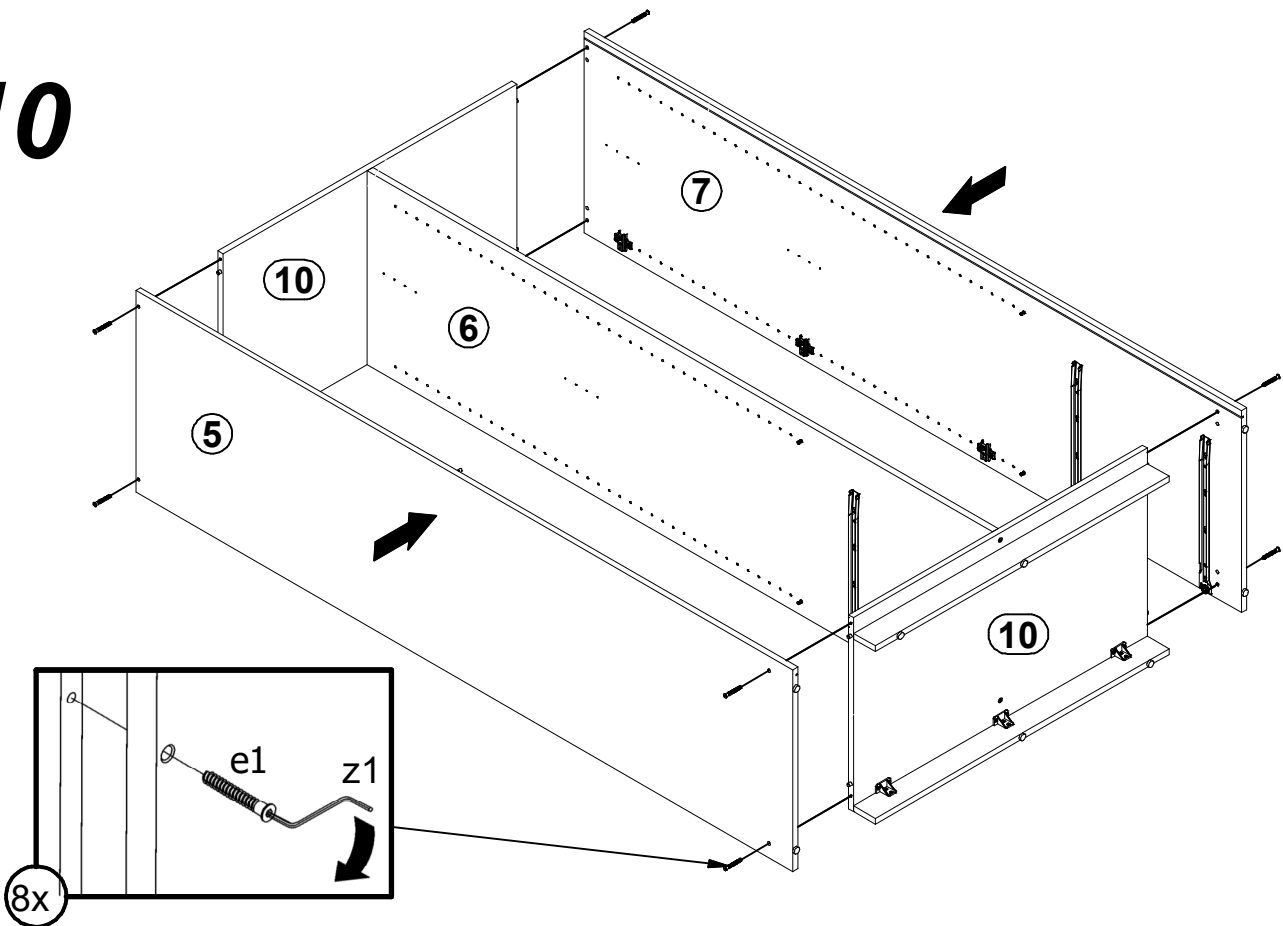
8

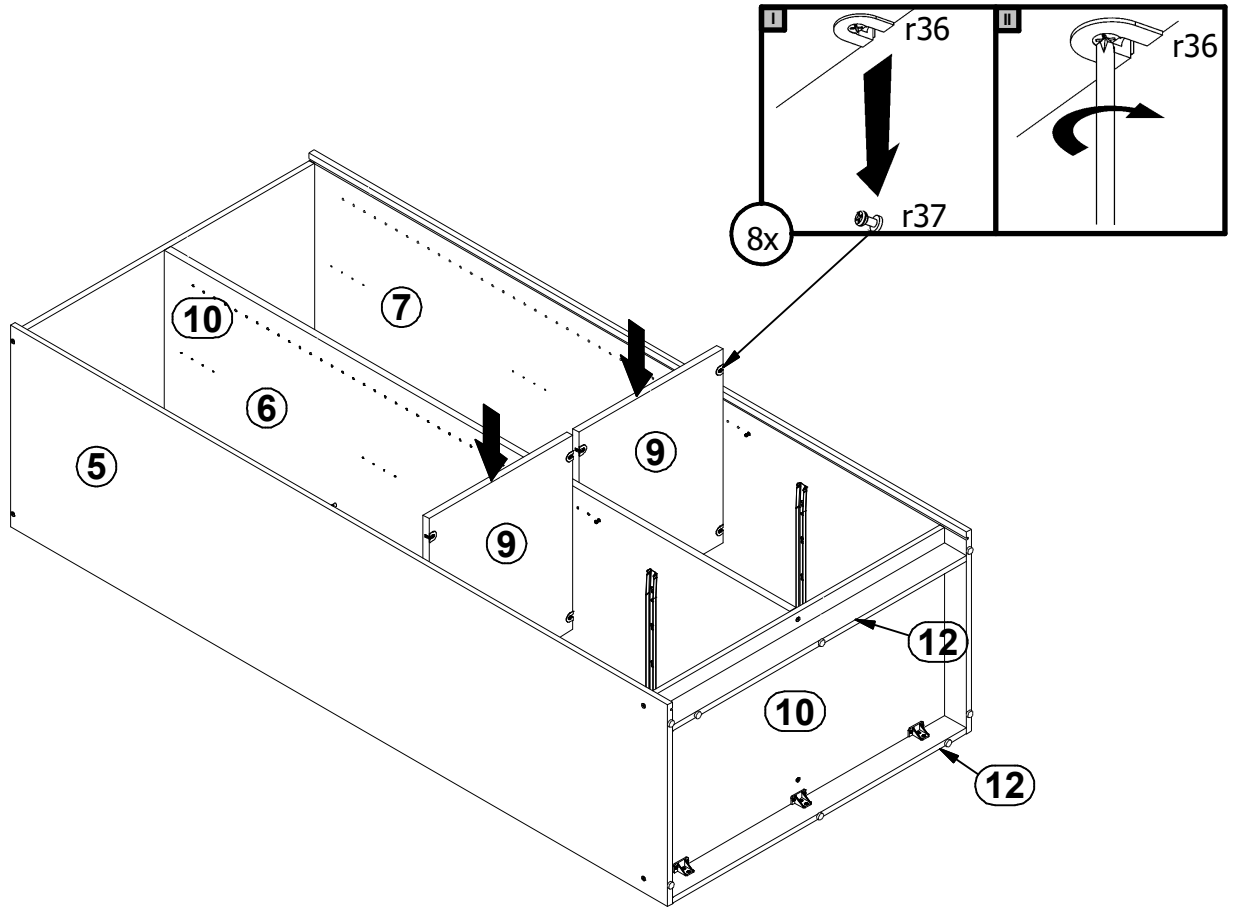
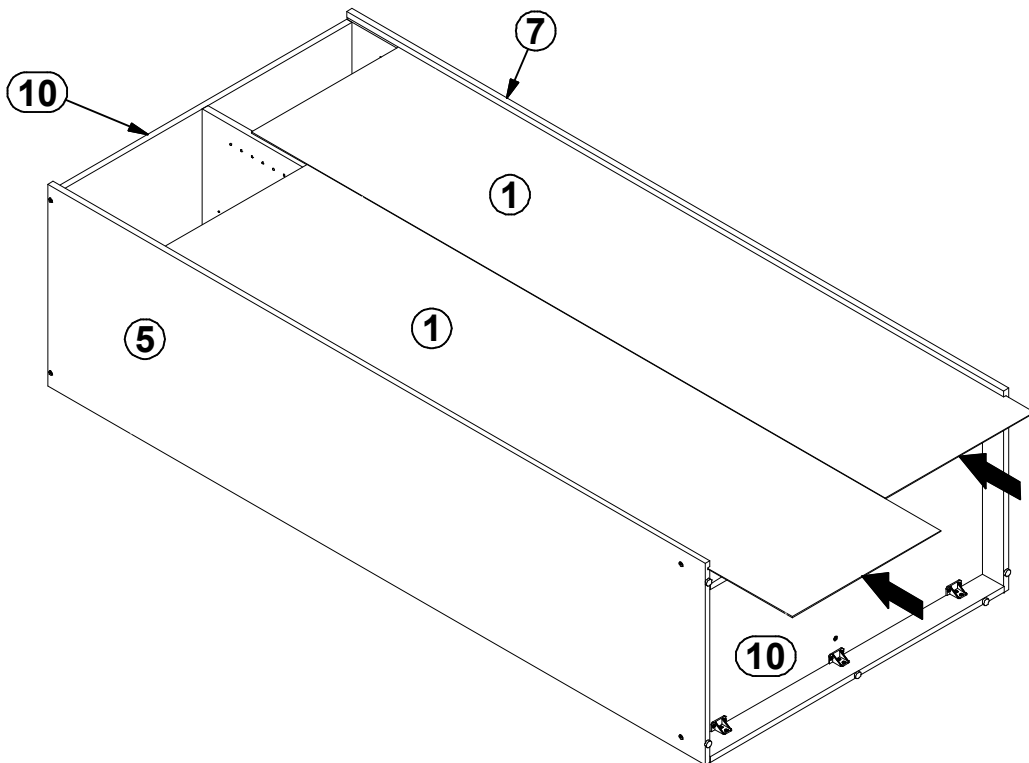


9

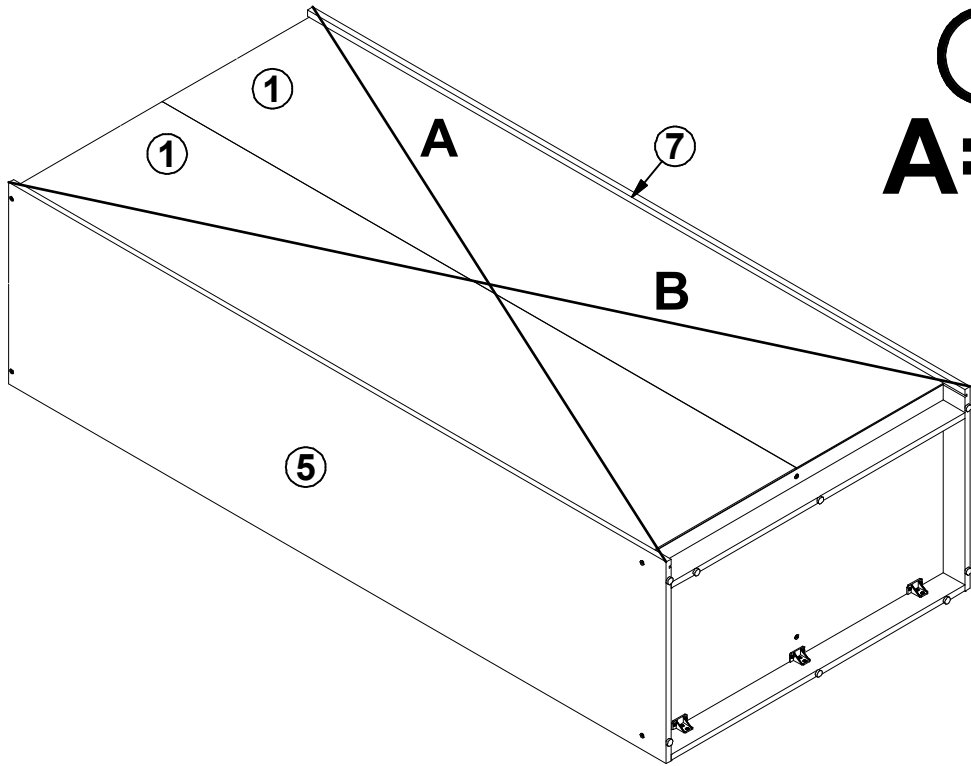


10

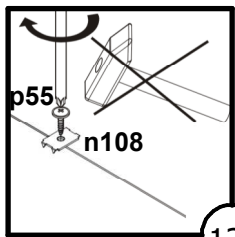


11**12**

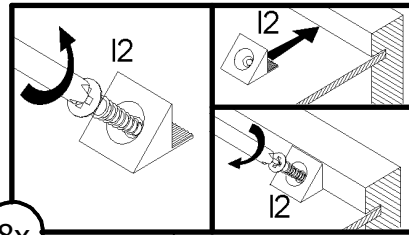
13



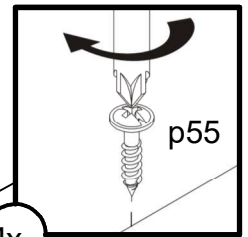
!
A=B



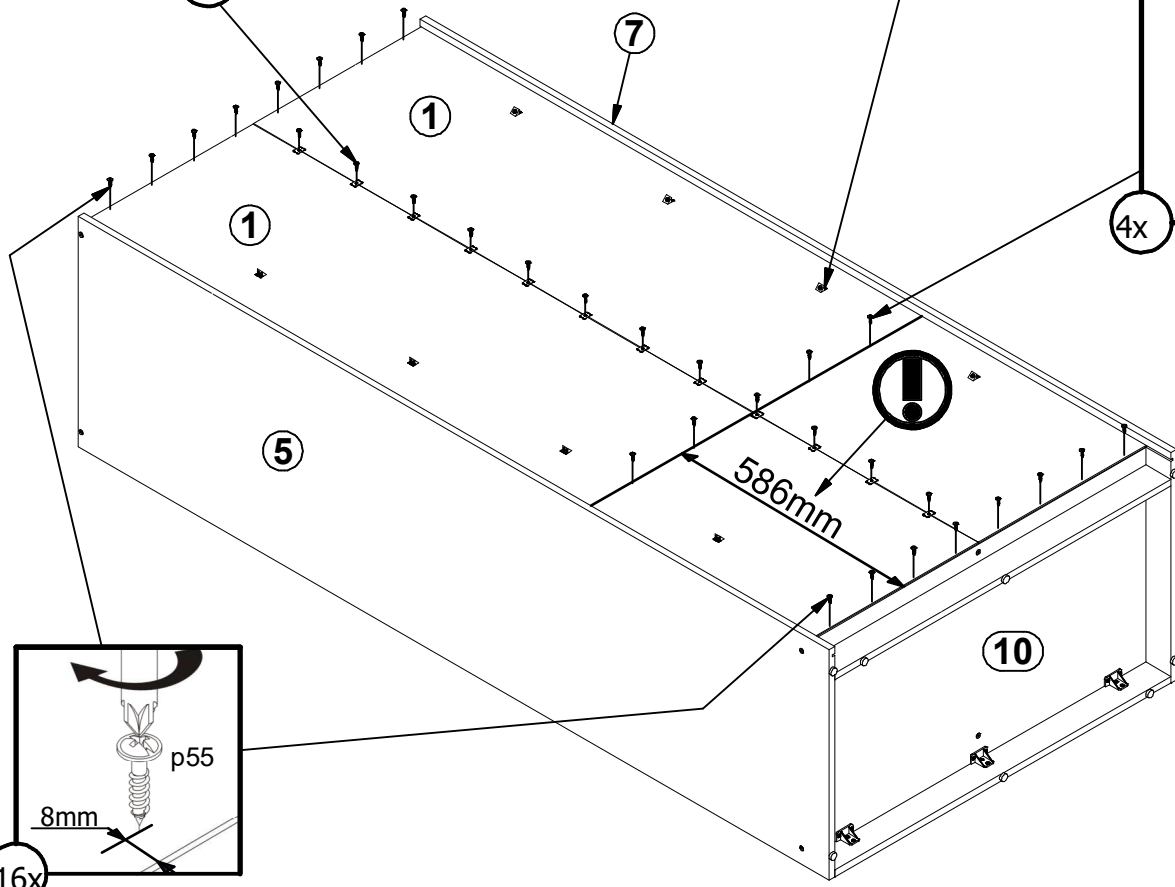
12x



8x

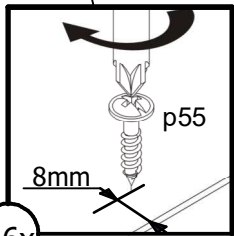


4x



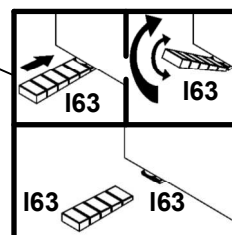
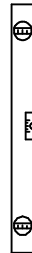
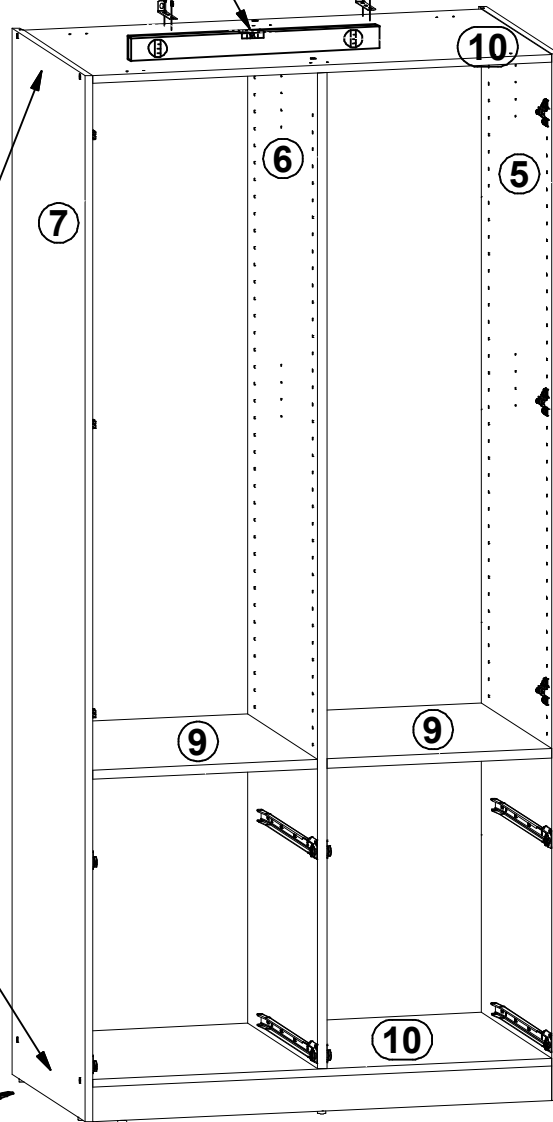
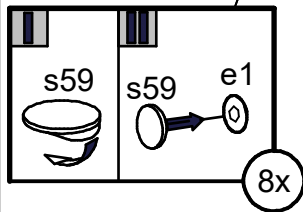
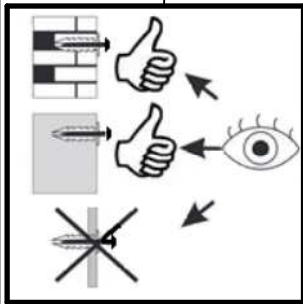
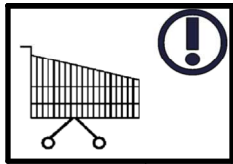
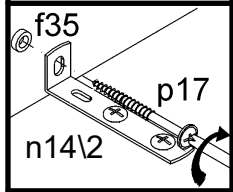
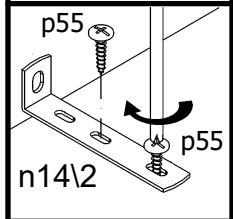
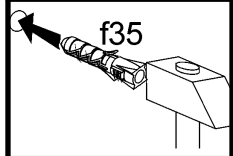
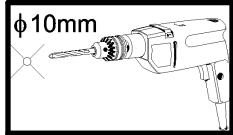
!

586mm

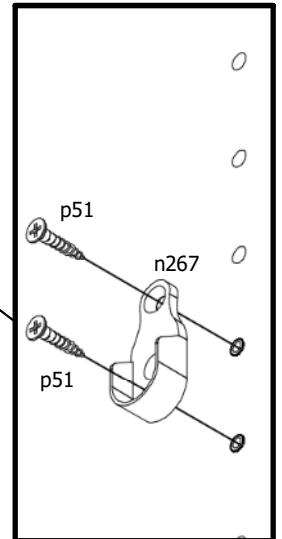
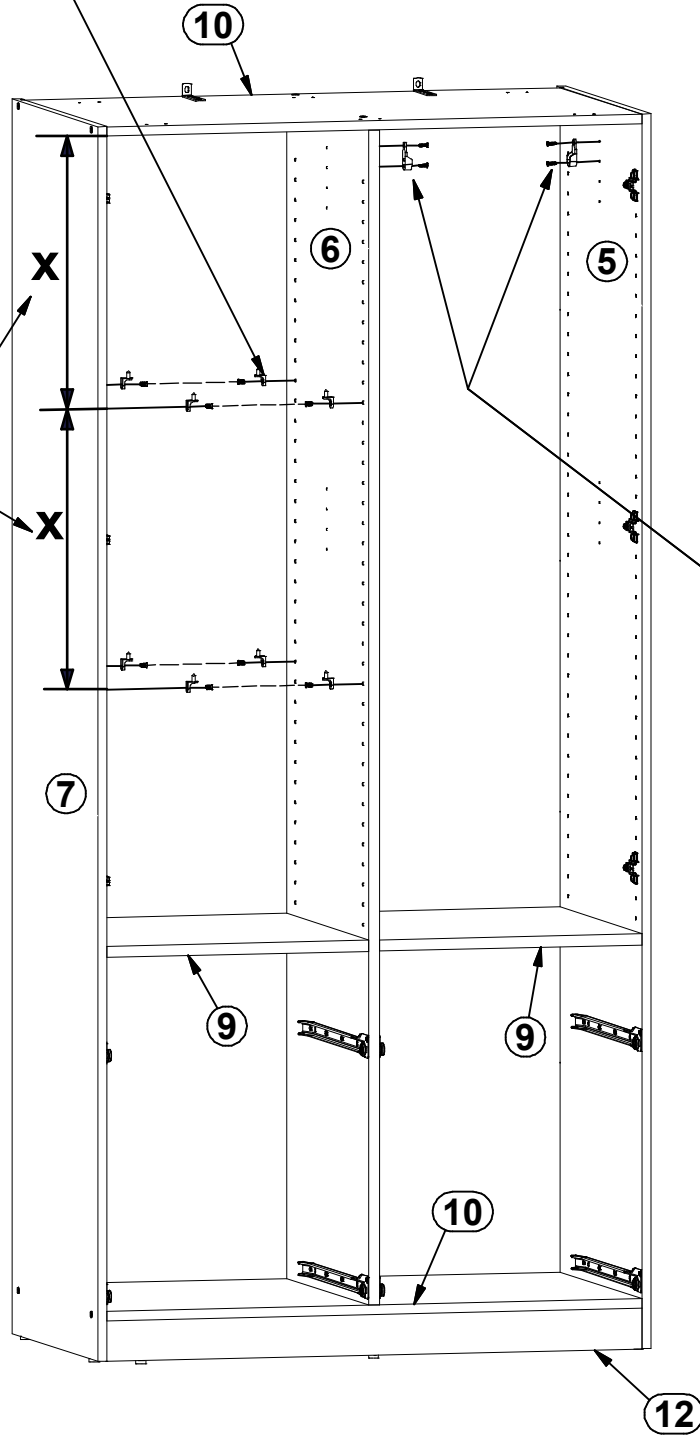
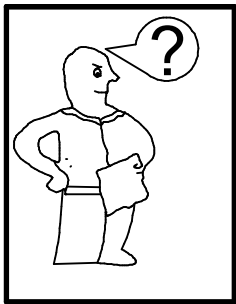
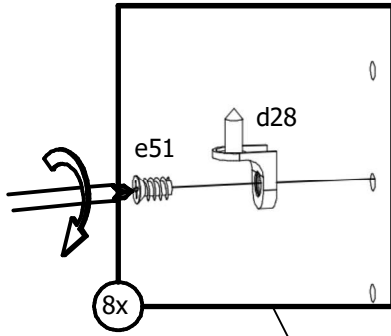


16x

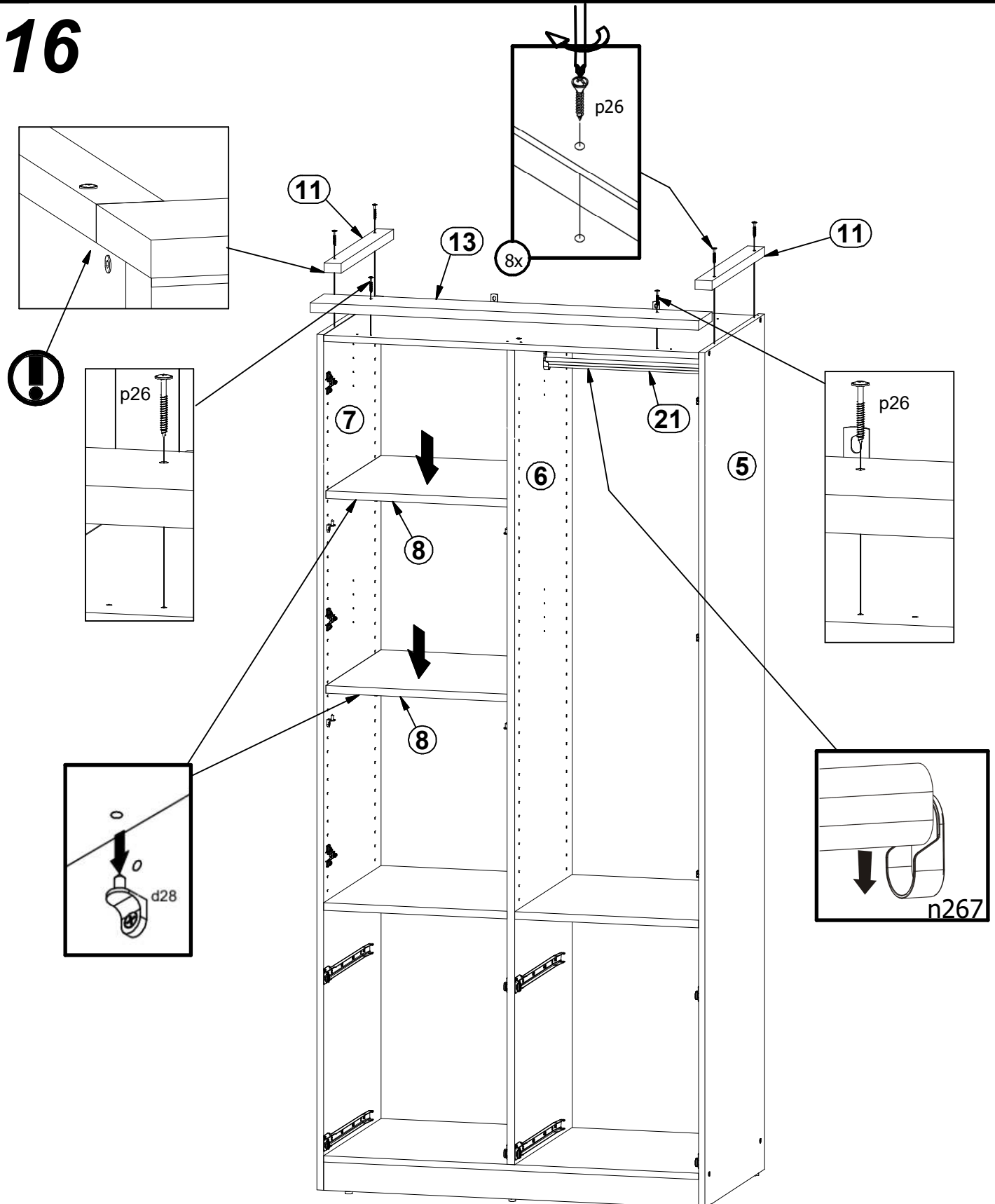
14



15

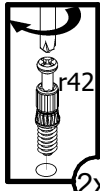


16

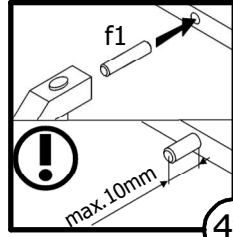
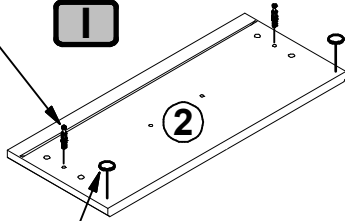


17

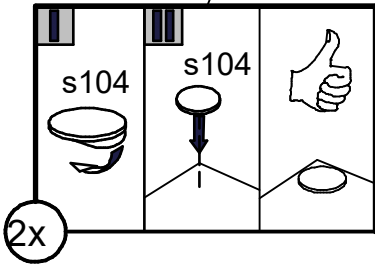
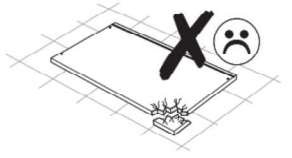
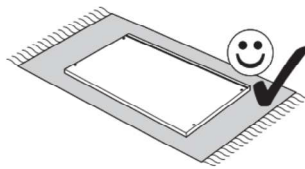
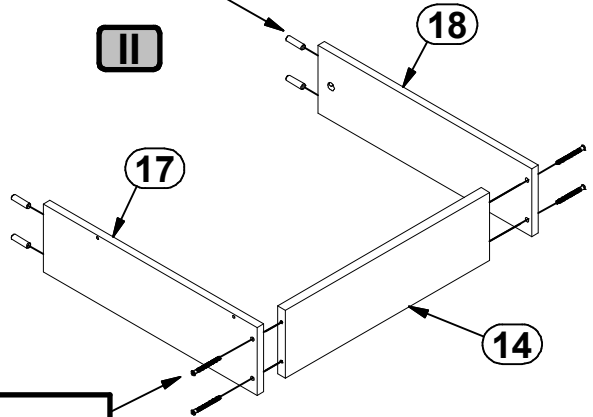
2x



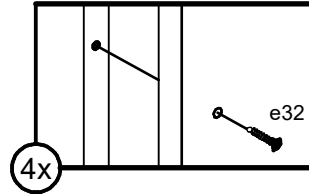
2x



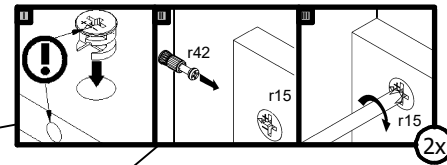
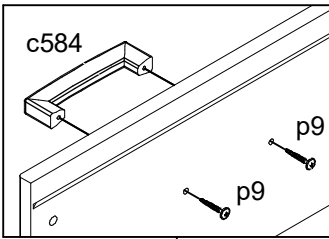
4x



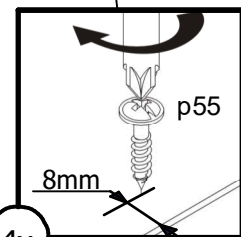
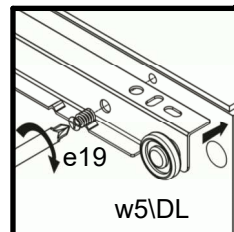
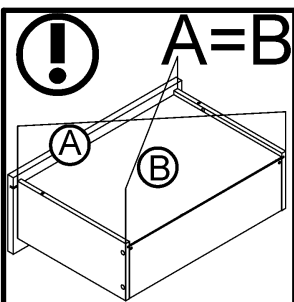
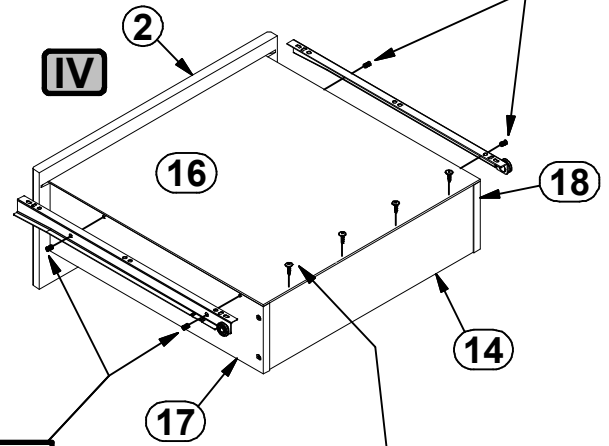
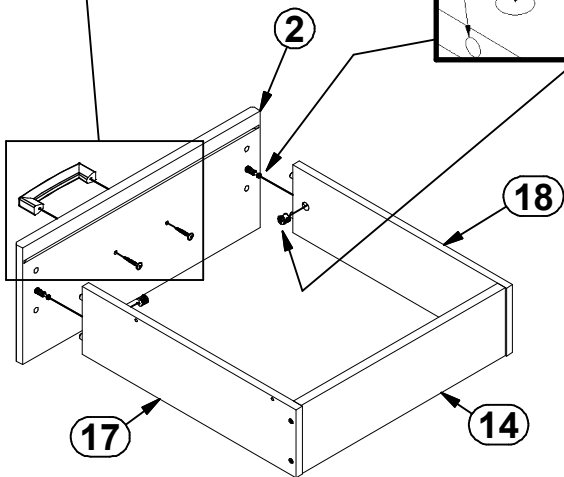
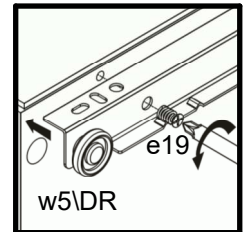
2x



4x



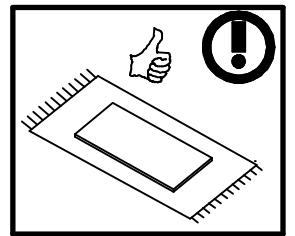
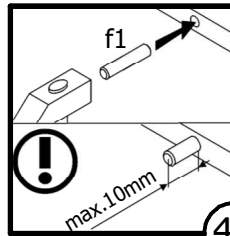
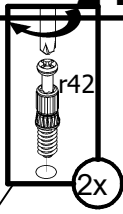
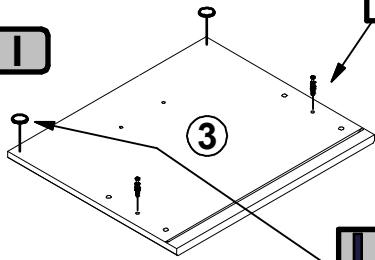
2x



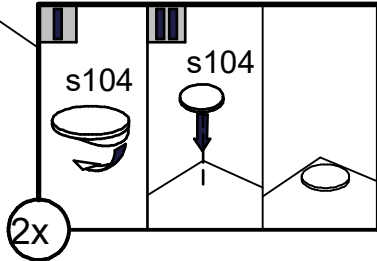
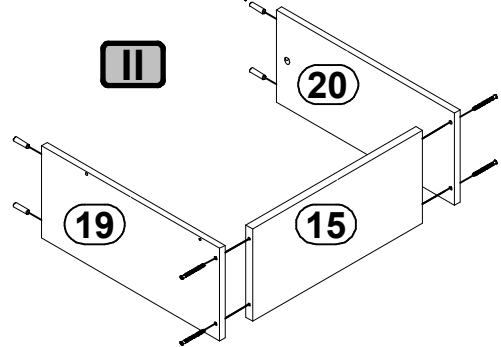
4x

18

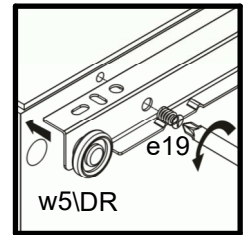
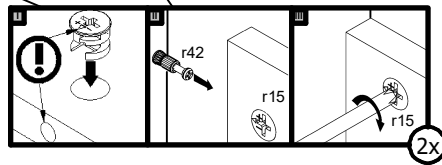
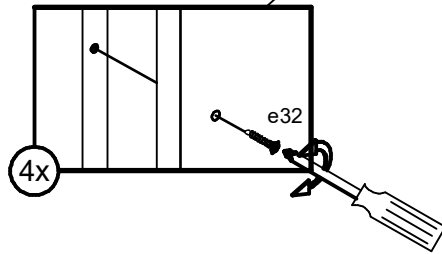
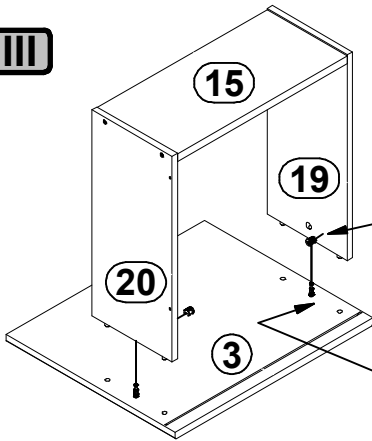
I



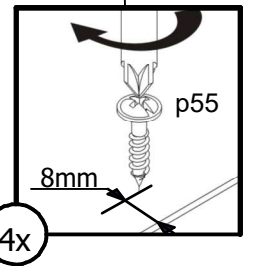
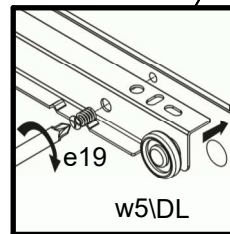
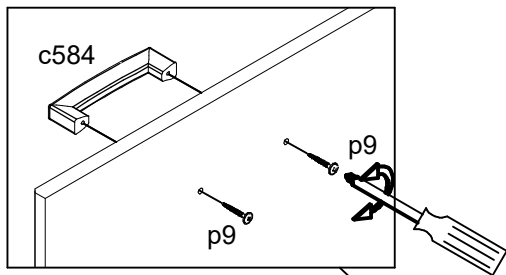
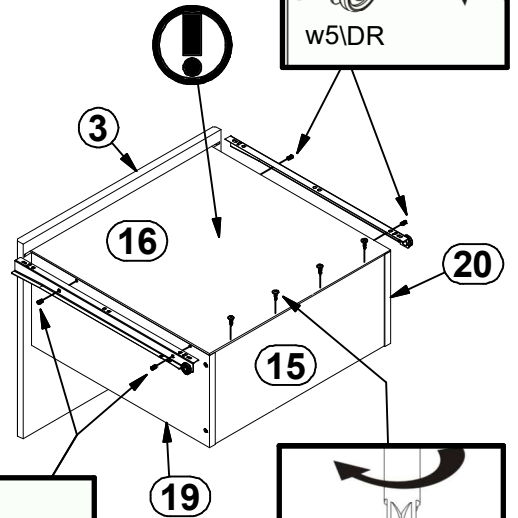
II



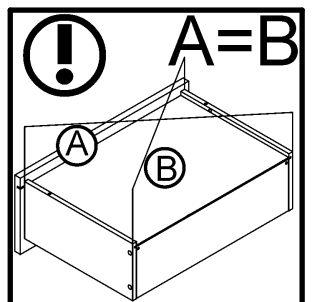
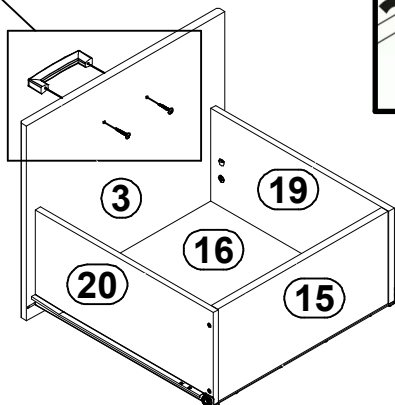
III



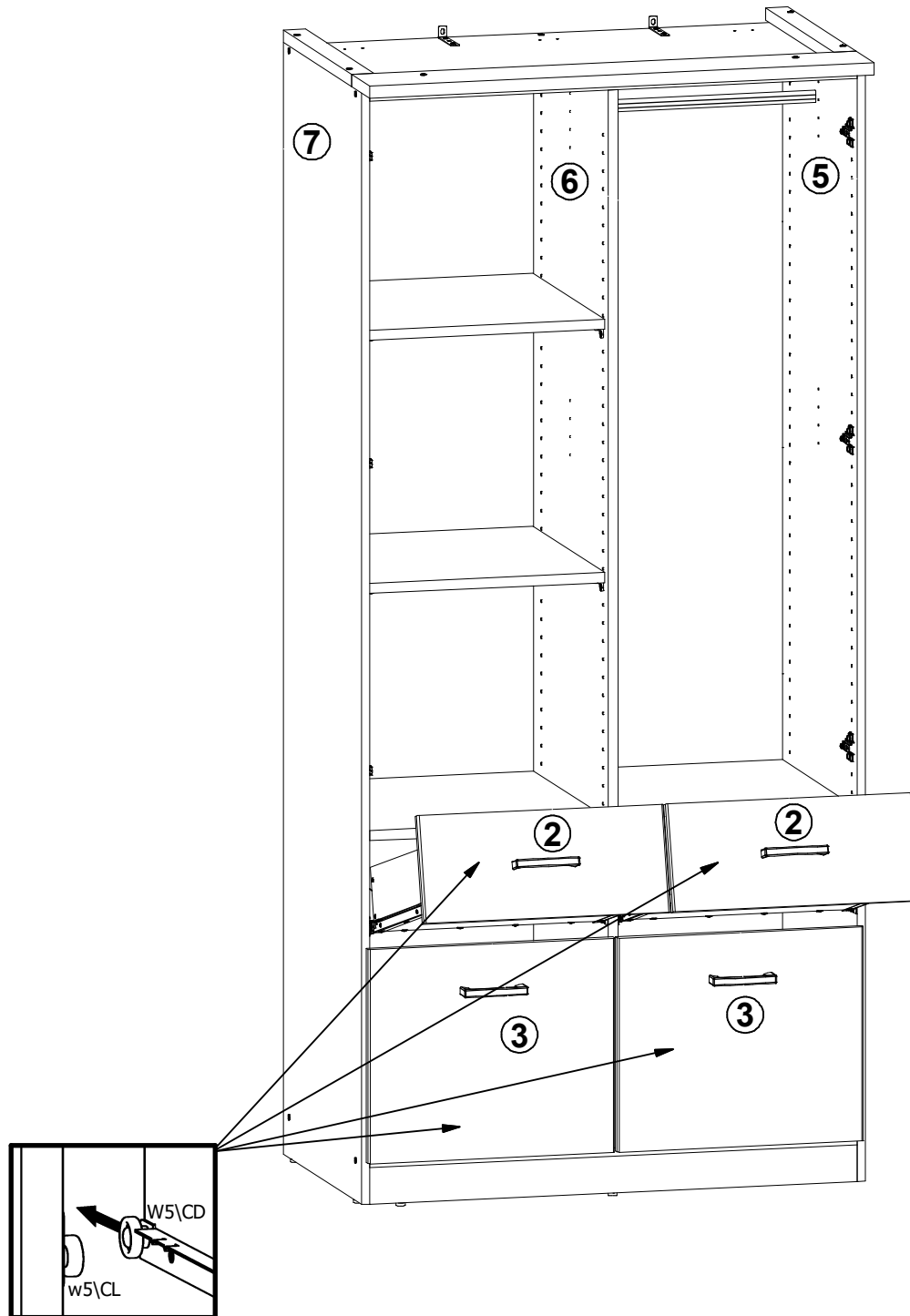
IV



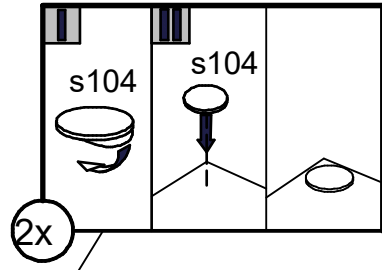
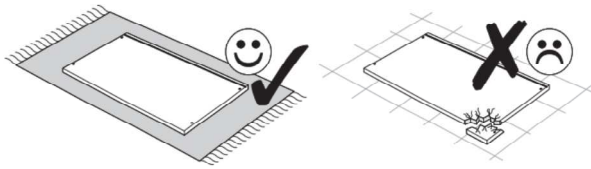
V



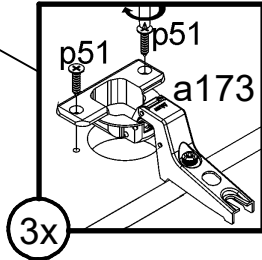
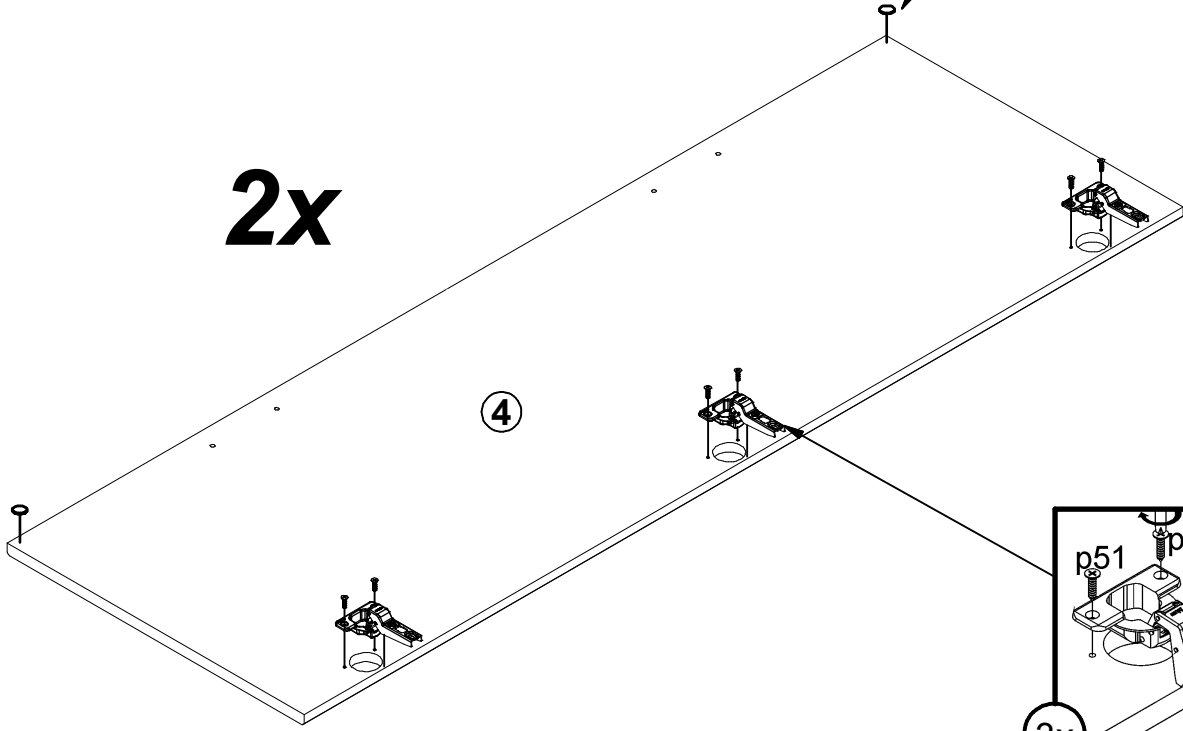
19



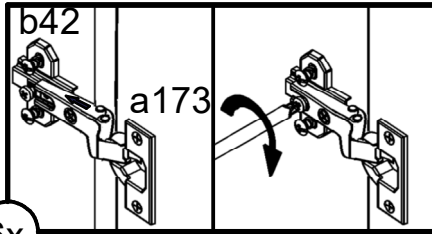
20



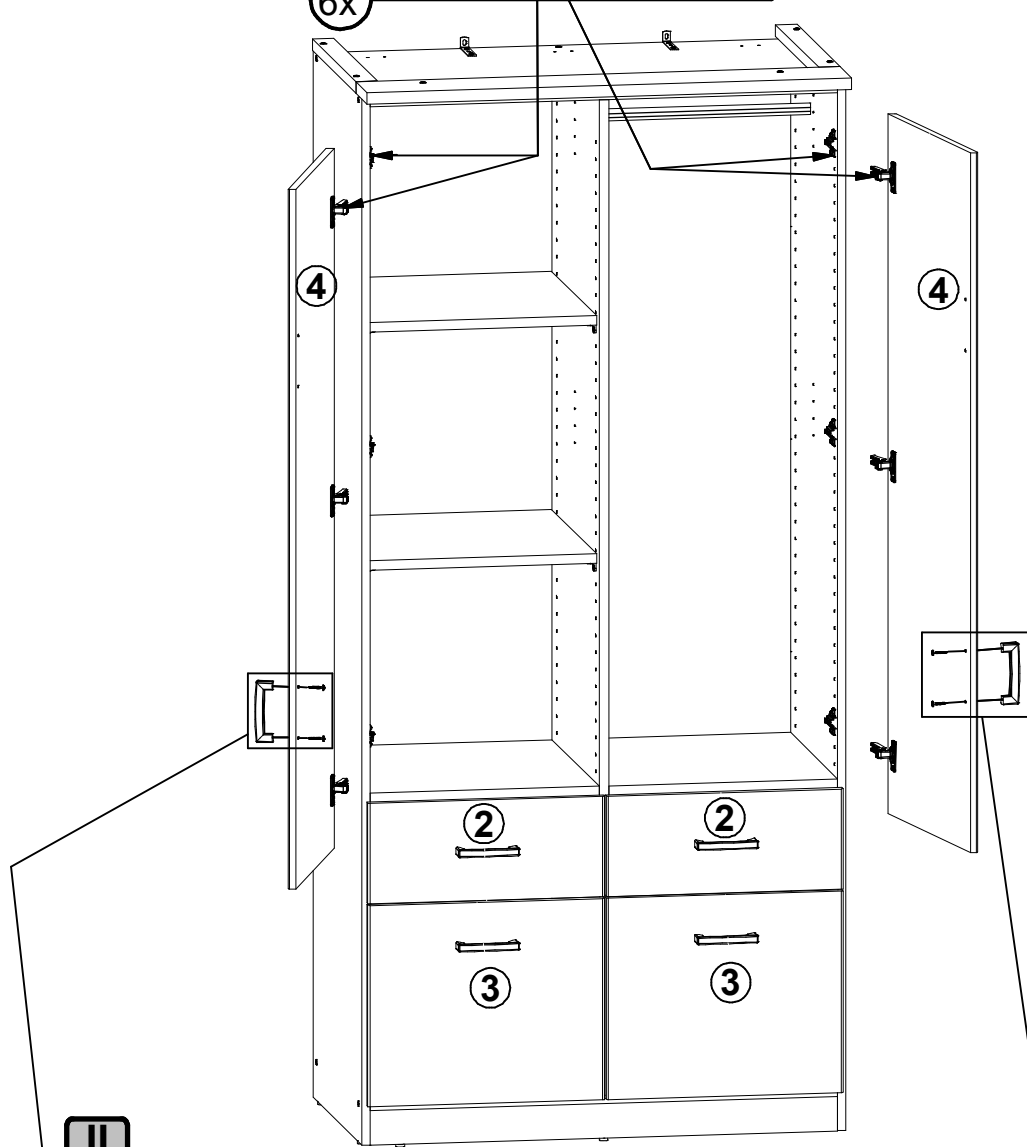
2x



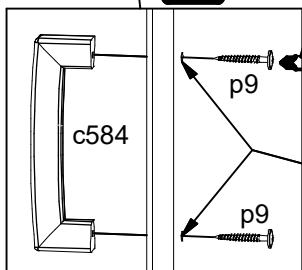
21



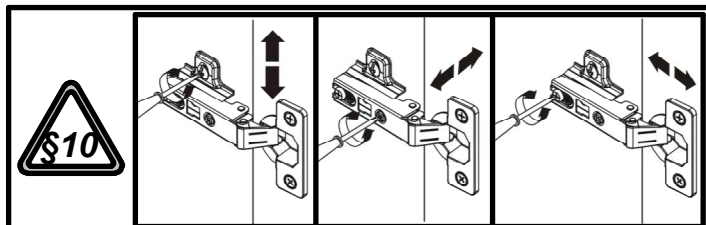
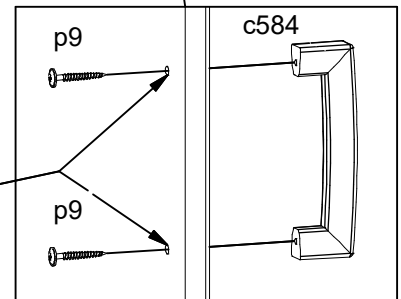
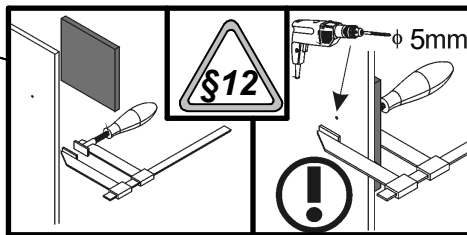
6x



II



I



§10

