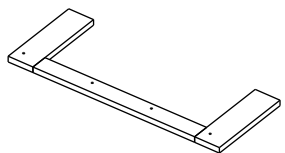
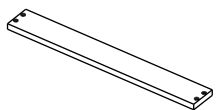


x 1

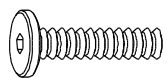


x 2



x 2

A



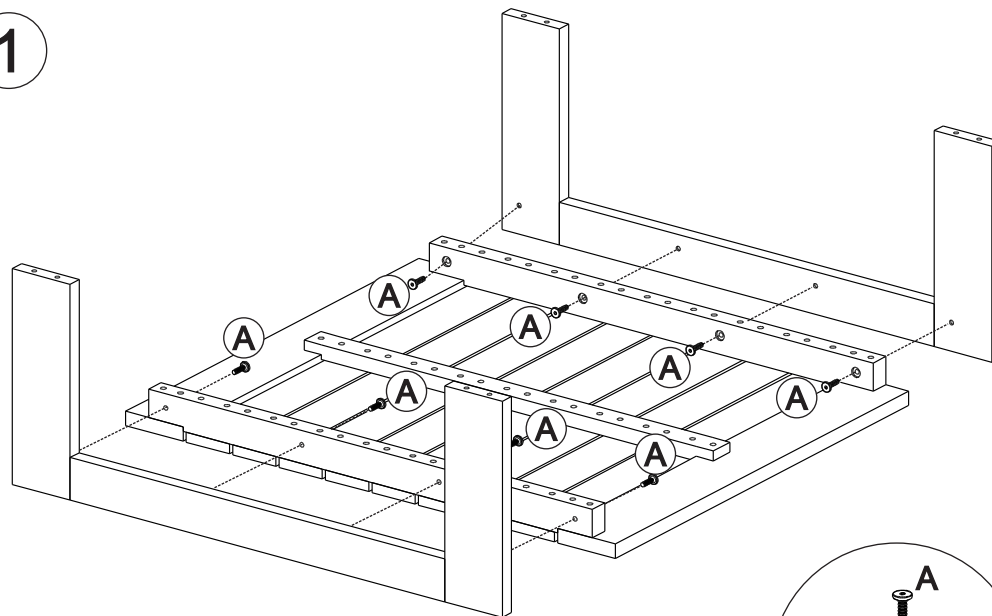
M6x35

x 16

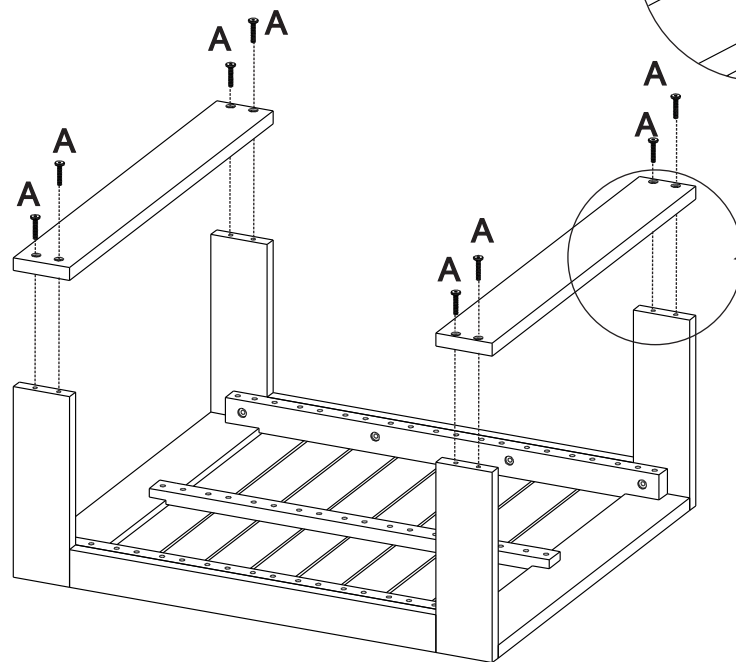


x 1

1



2



3

