

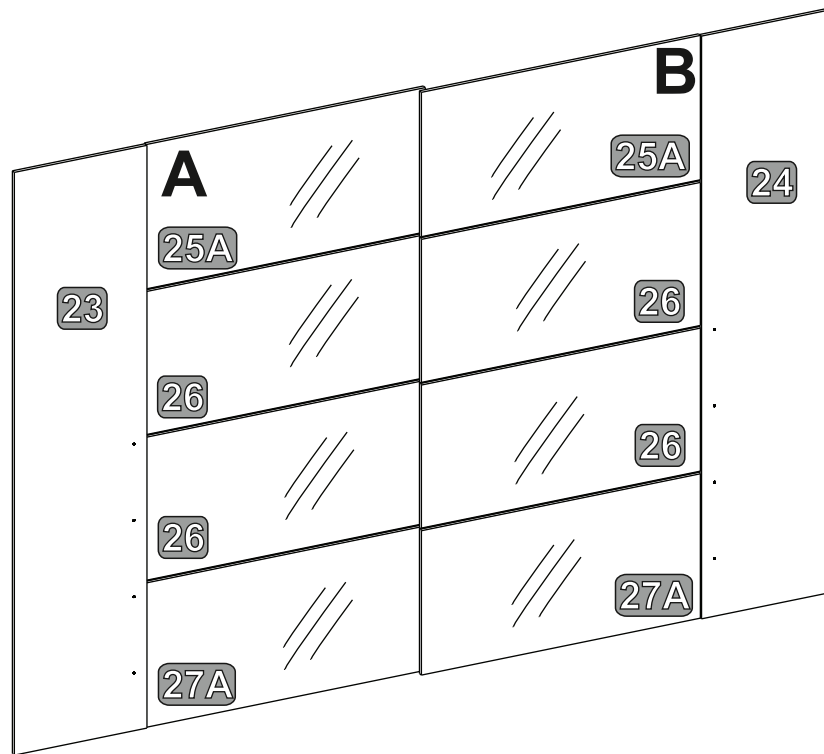
Nr	Ausmaß		St	Colli	
1	2250	560	15	1	1-8
2A	2250	560	15	1	1-8
3A	2250	535	15	1	3-8
4A	2250	588	15	1	2-8
5	2250	588	15	1	2-8
6	469,5	560	15	1	1-8
7	469,5	541	22	1	3-8
8	469,5	560	15	1	1-8
9LP	827,5	535	15	2	4-8
10	827,5	516	22	2	4-8
11L	827,5	535	15	1	4-8
11P	827,5	535	15	1	1-8
12	469,5	588	15	1	2-8
13	469,5	569	22	1	3-8
14	469,5	588	15	1	2-8
15	469,5	50	15	2	2-8
16	469,5	50	15	2	2-8
17	827,5	50	15	2	2-8
18	827,5	50	15	2	2-8
19	469,5	540	22	3	3-8
20	469,5	568	22	3	3-8
21	2188	476	2	2	1-8
22	2188	834	2	2	2-8
23	2200	496	15	1	6-8
24	2200	496	15	1	6-8
25A	850	550	15	2	7-8
26	850	550	15	4	8-8
27A	850	550	15	2	7-8

0 10 20 30 40 50 60 70 80 90 100



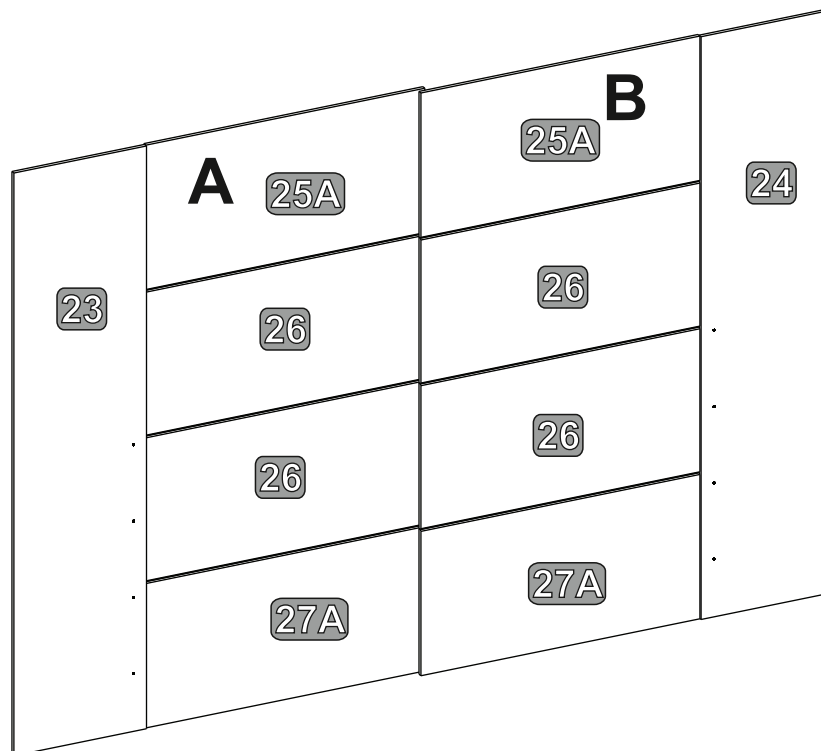
V1

58-727-17



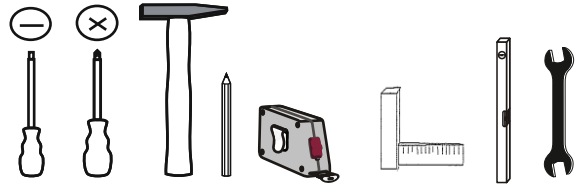
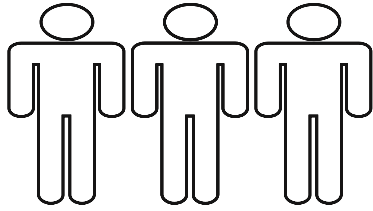
V2





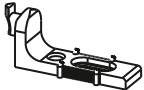






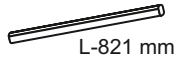

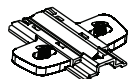
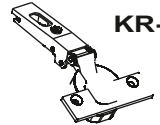



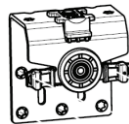

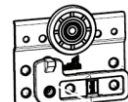

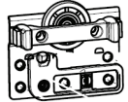




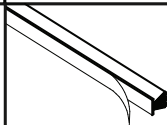
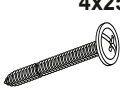




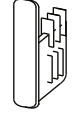


58-727-E4  
58-727-37  
58-727-A7  
58-727-A5

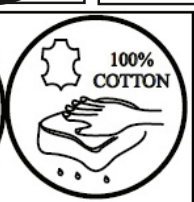
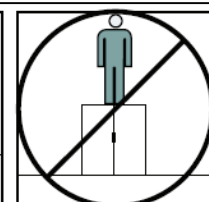
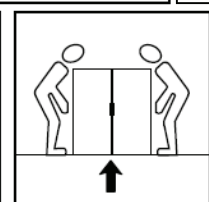
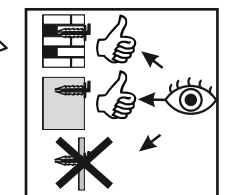
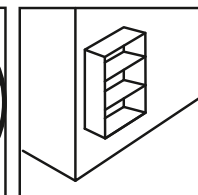
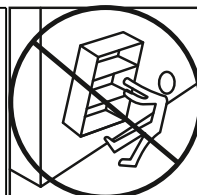
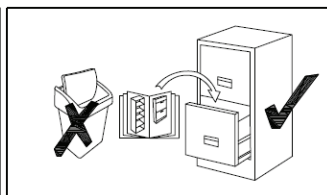
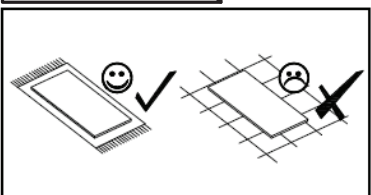
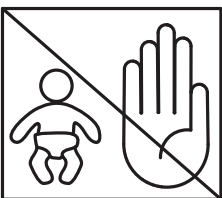
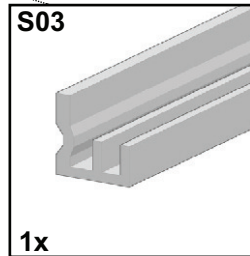
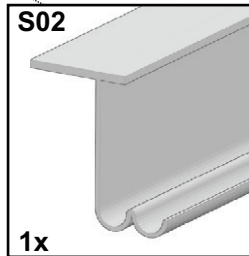
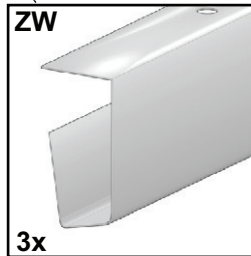
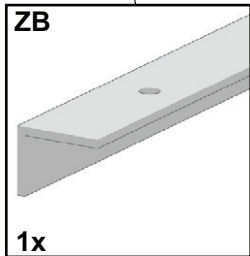
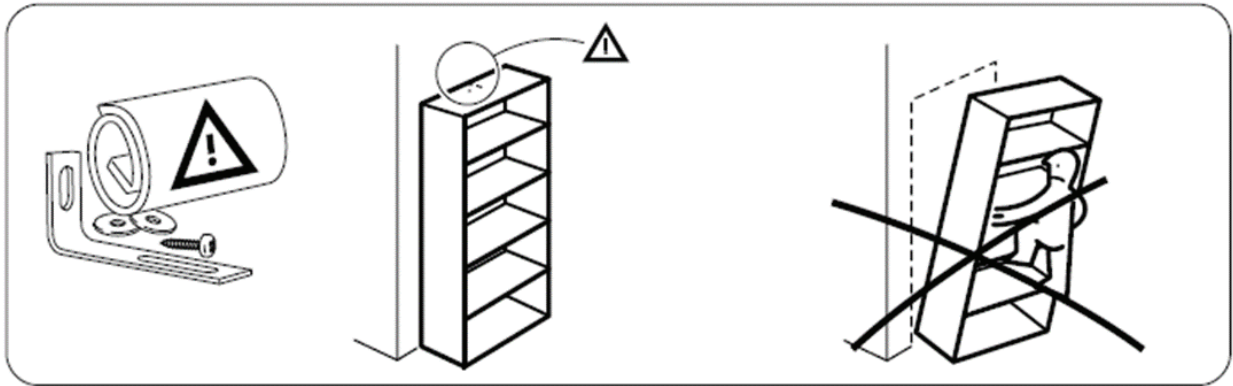


# MATCH 2

# 58727









 48x T04	 48x T05	 5x40 20x W06	 1x K01	 30x R03	 44x R01
 4x13 2x W01	 3,5x13 140x W02	 4x E03	 22x S01	 3,5x13 8x W05	 L-821 mm 2x J01
 24x E01	 4x Z21	 KR-0 4x Z22	 4x Z02	 KR-0 4x Z01	 3,5x15 16x W04
 2x P-10	 2x P-07	 1x P-09	 2x P-06	 1x P-08	 18x W08
 L+R 1x G-02	 2x F-02	 20x C02	 3x Sz1	 4x25 8x W03	 6x11 28x W12
 2x P01	 2x F01	 24x E02	 H-37 6x ZA2		
 6,3x10 30x W20	 6x8 24x W21				




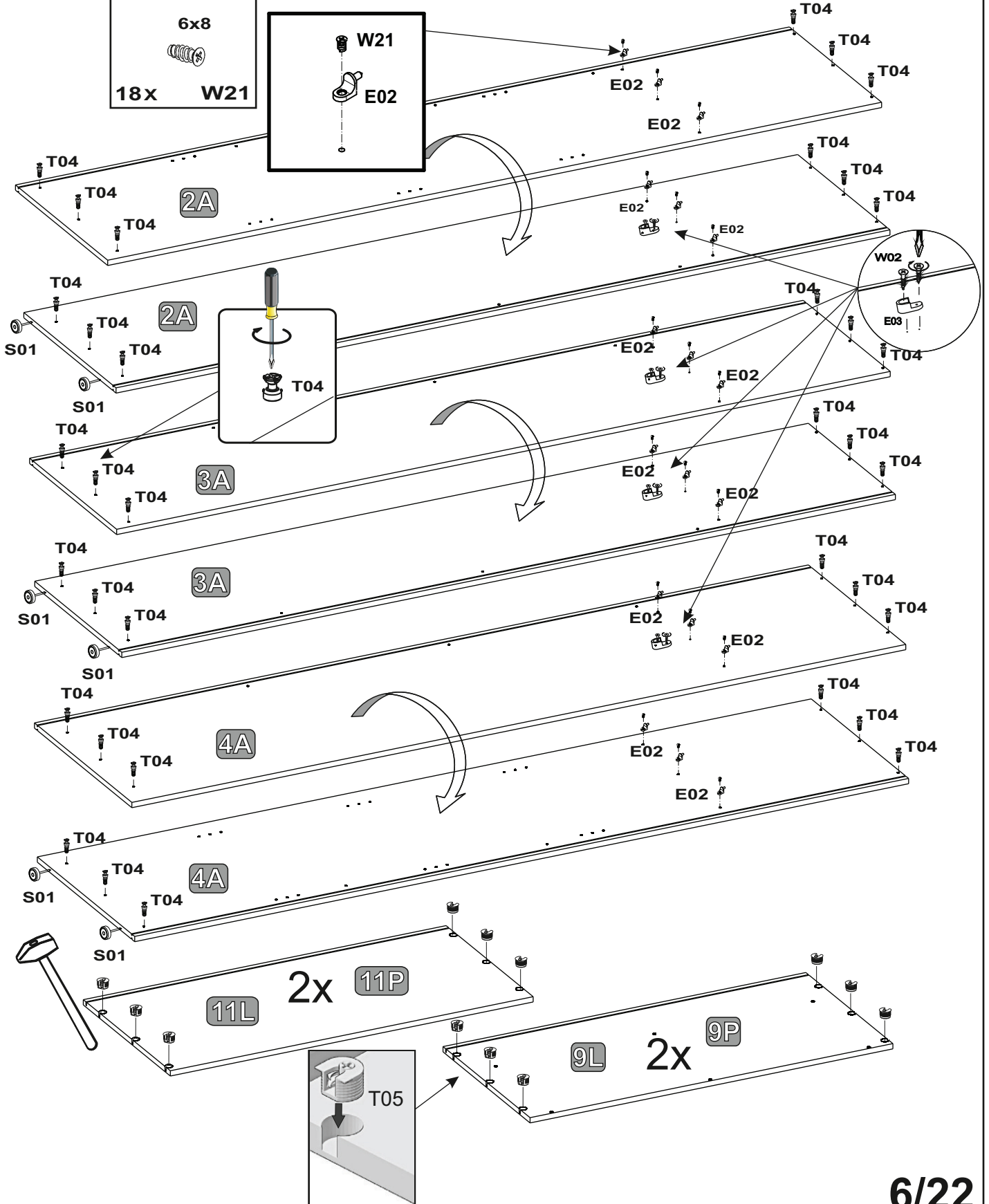
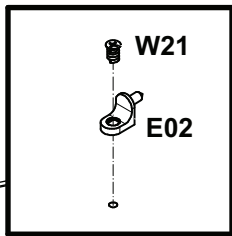
# MATCH 2

# 58727

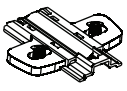
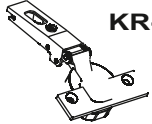




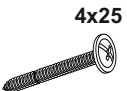




# 1

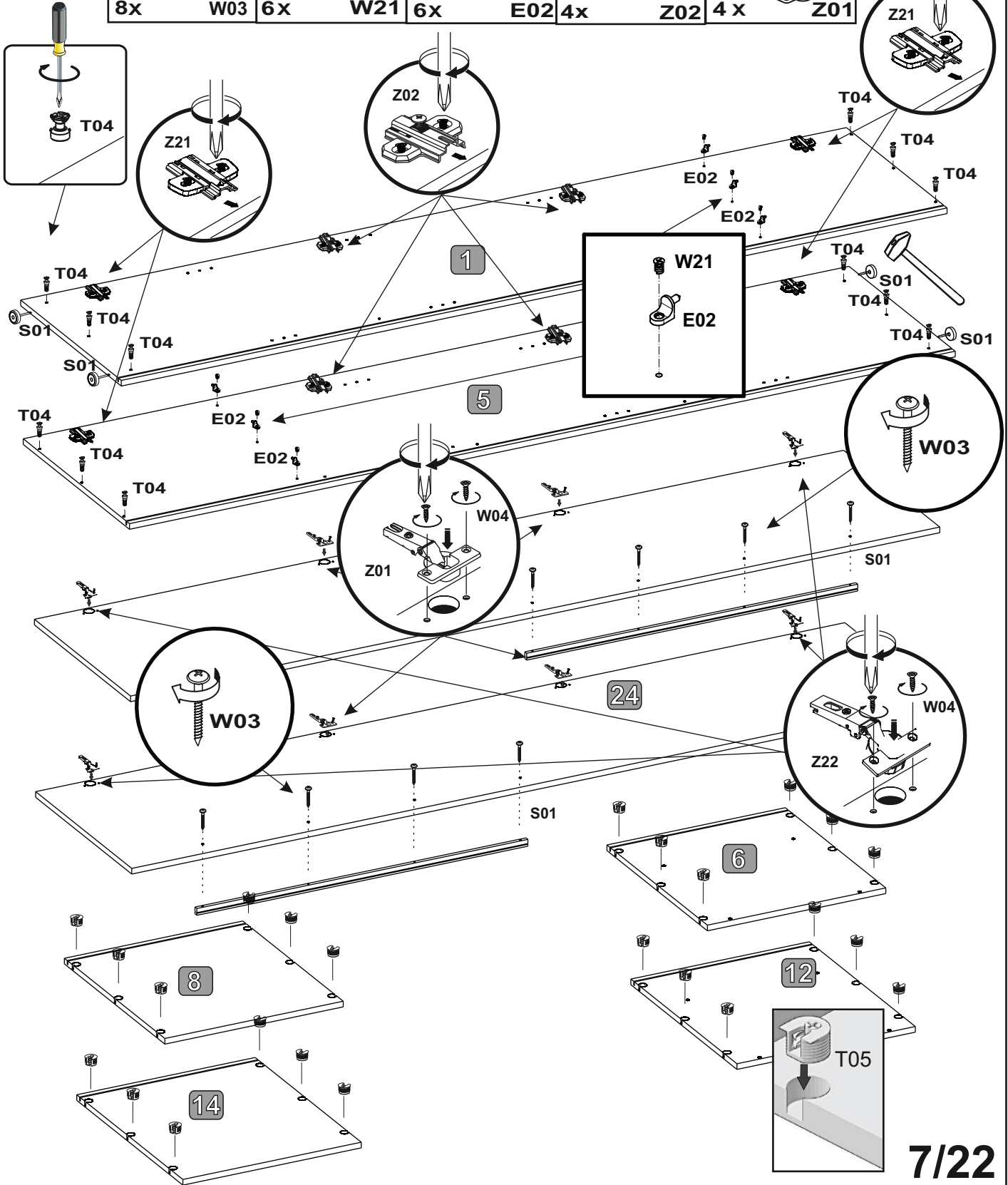
 18x E02	 3,5x13 8x W02	 6x S01	 4x E03	 36x T04	 24x T05
----------------------------------------------------------------------------------------------	-------------------------------------------------------------------------------------------------------	---------------------------------------------------------------------------------------------	----------------------------------------------------------------------------------------------	------------------------------------------------------------------------------------------------	------------------------------------------------------------------------------------------------

 6x8 18x W21
-----------------------------------------------------------------------------------------------------



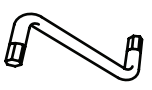


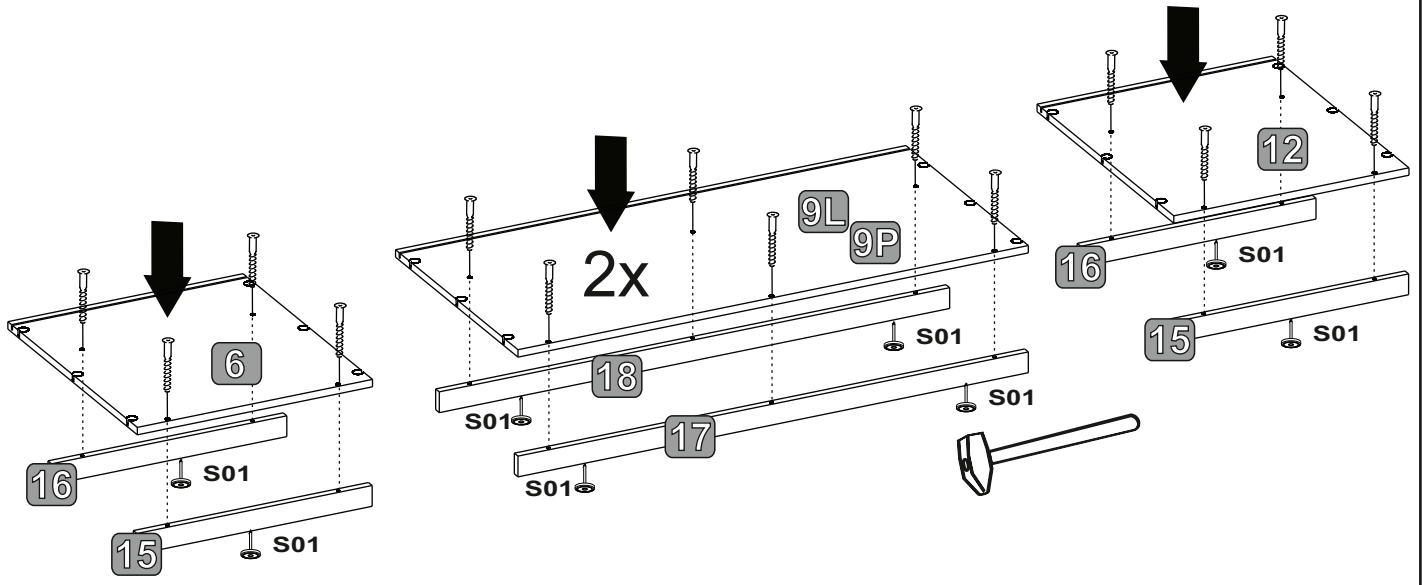
# 2

 4x Z21	 4x Z22	 16x W04	 4x S01	 12x T04	 24x T05
 8x W03	 6x W21	 6x E02	 4x Z02	 4x Z01	

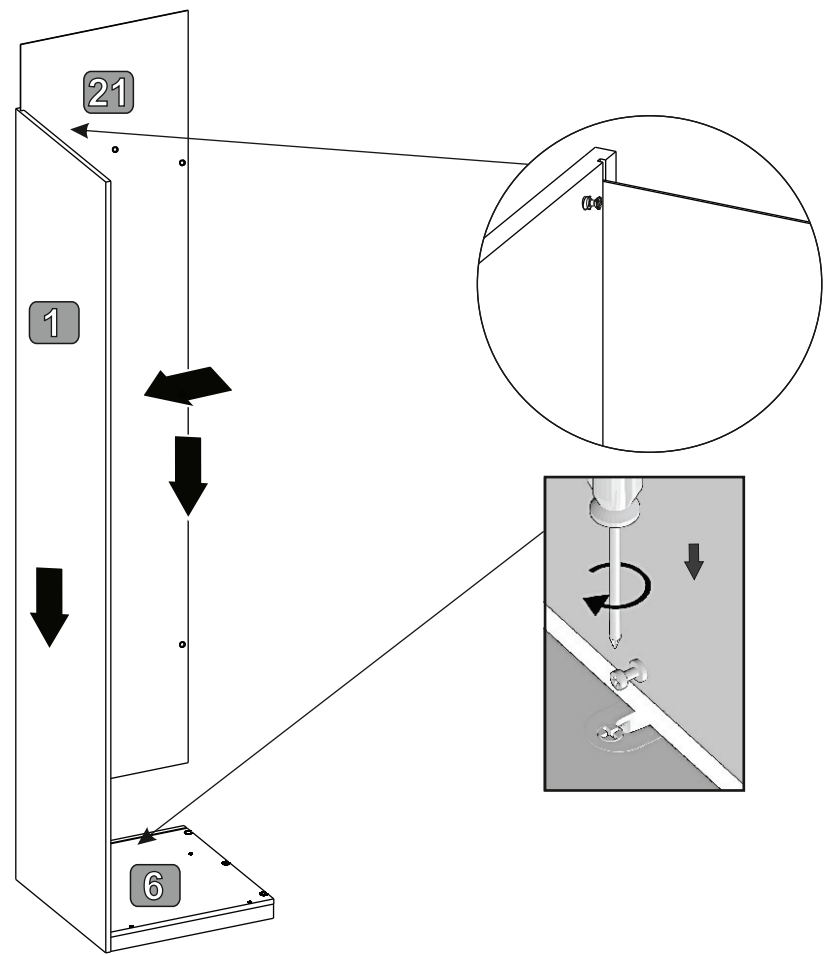


## 3

		
12x	S01	20x W06
		1x K01

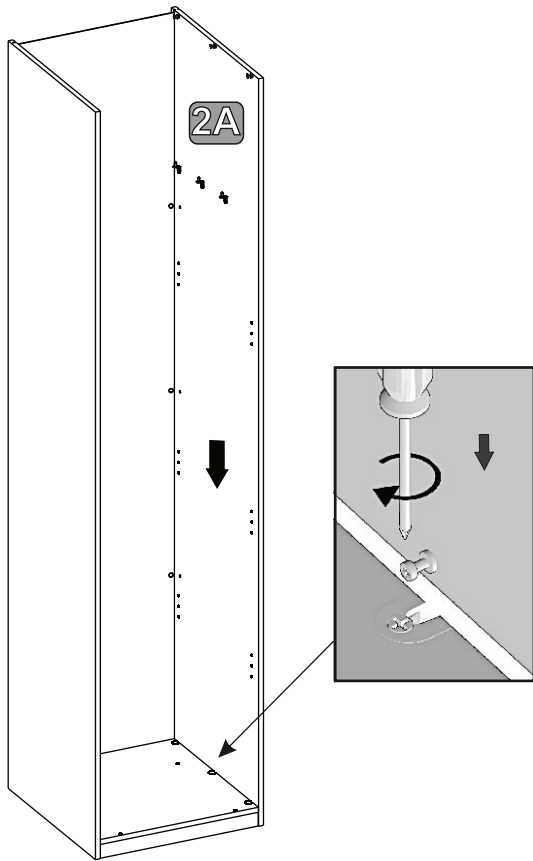


## 4

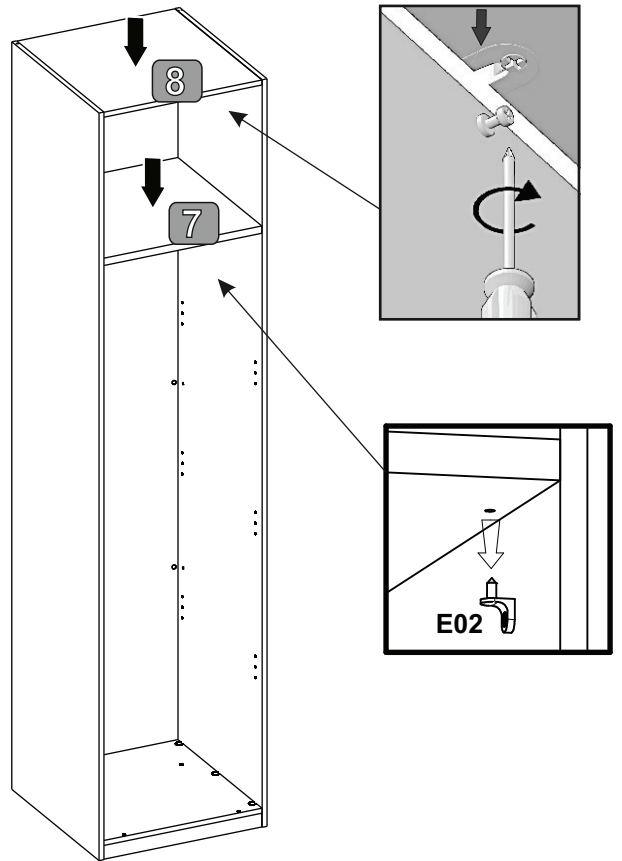




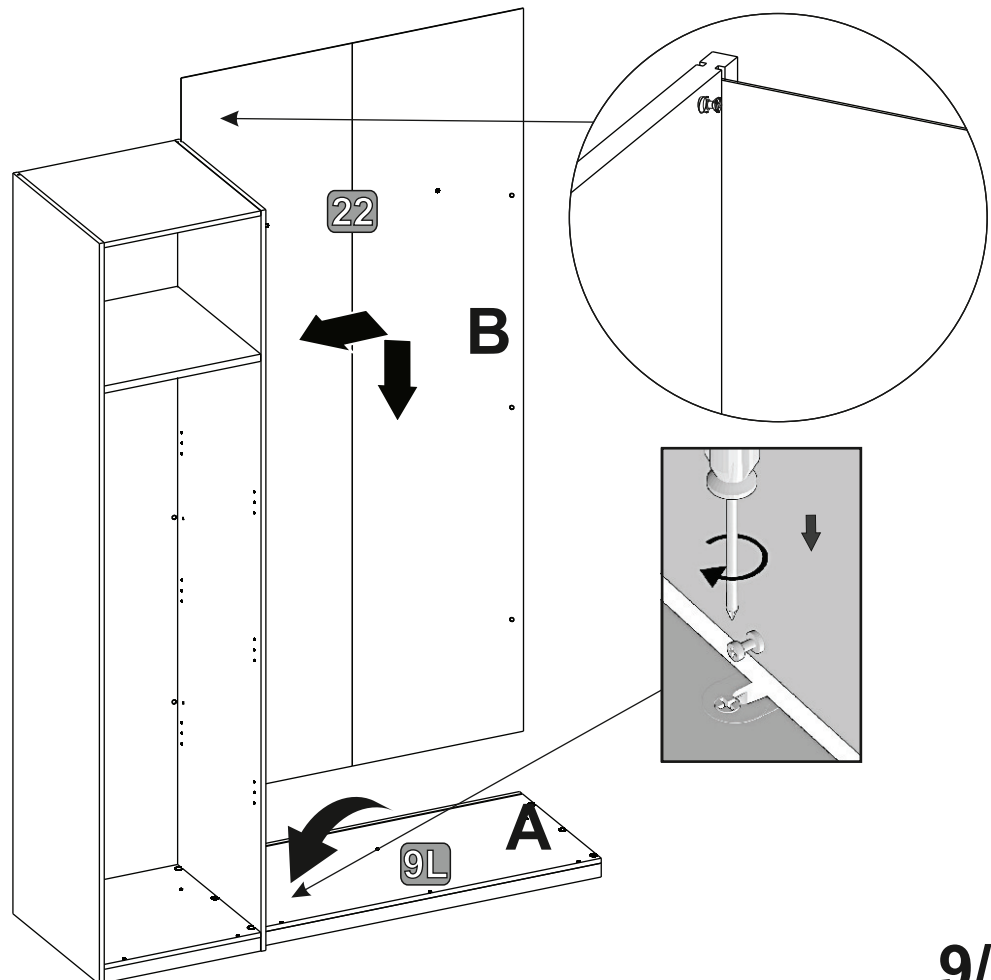
## 5



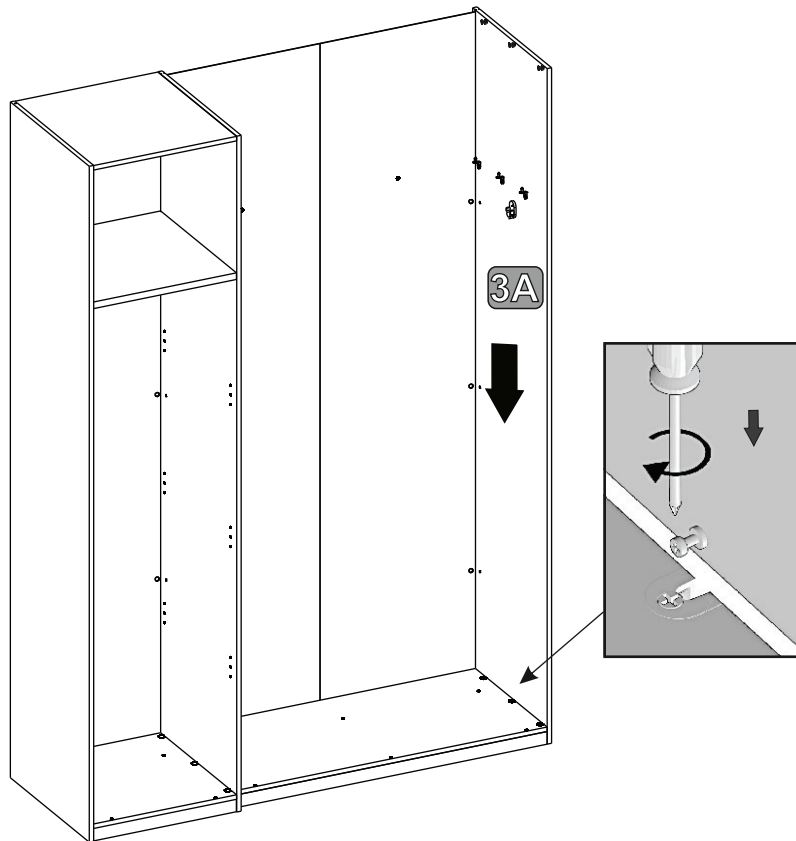
## 6



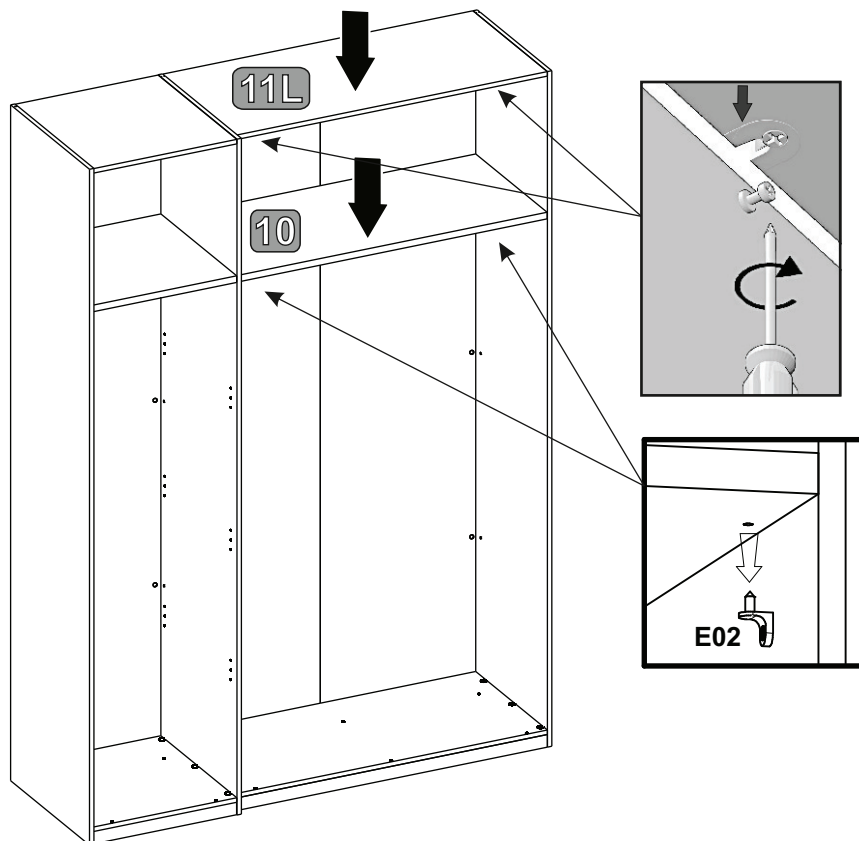
## 7



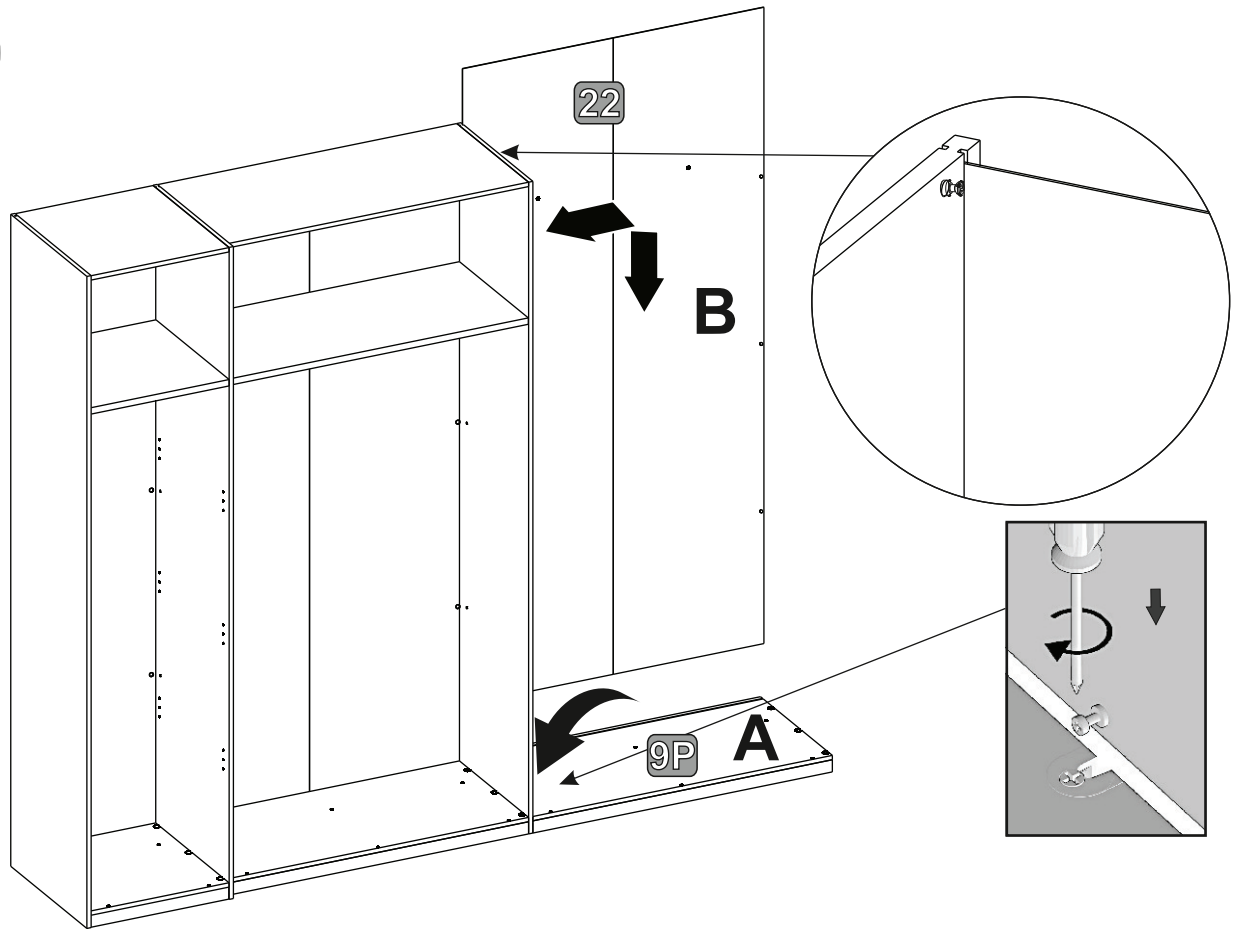
8



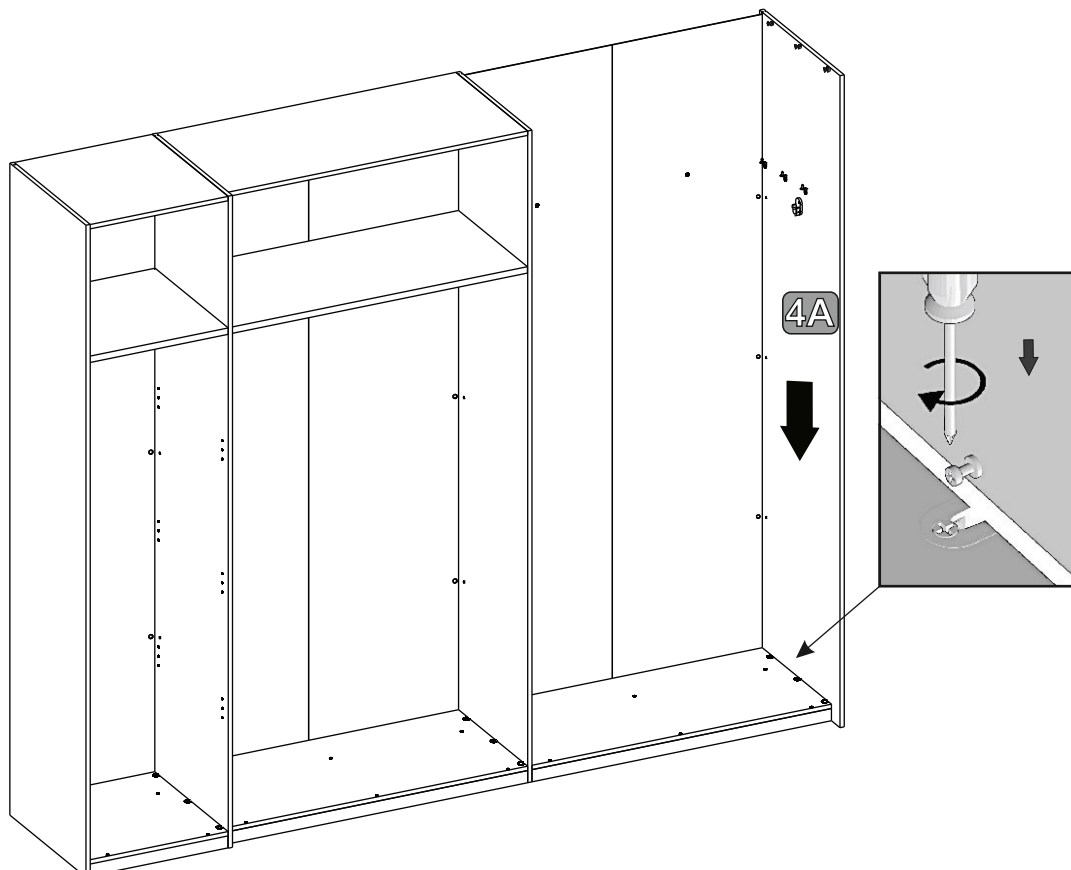
9



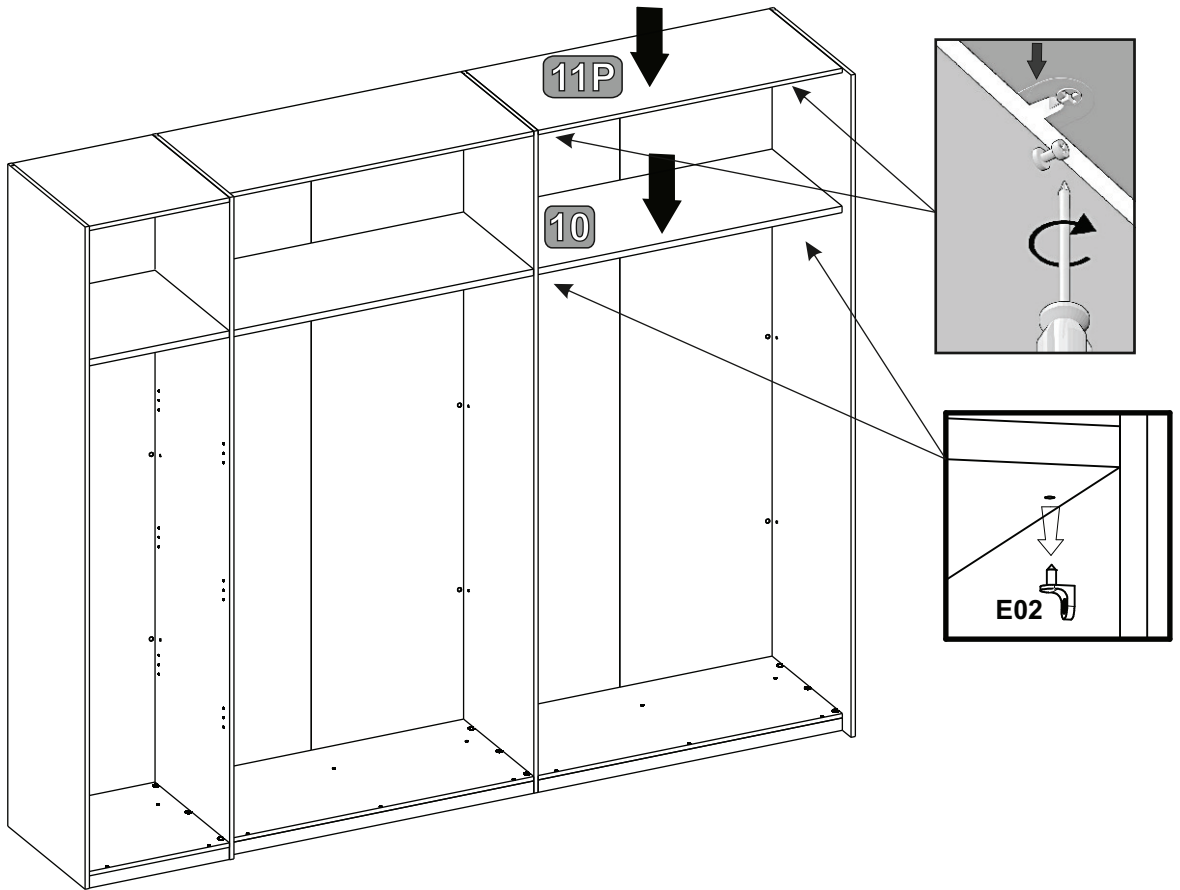
10



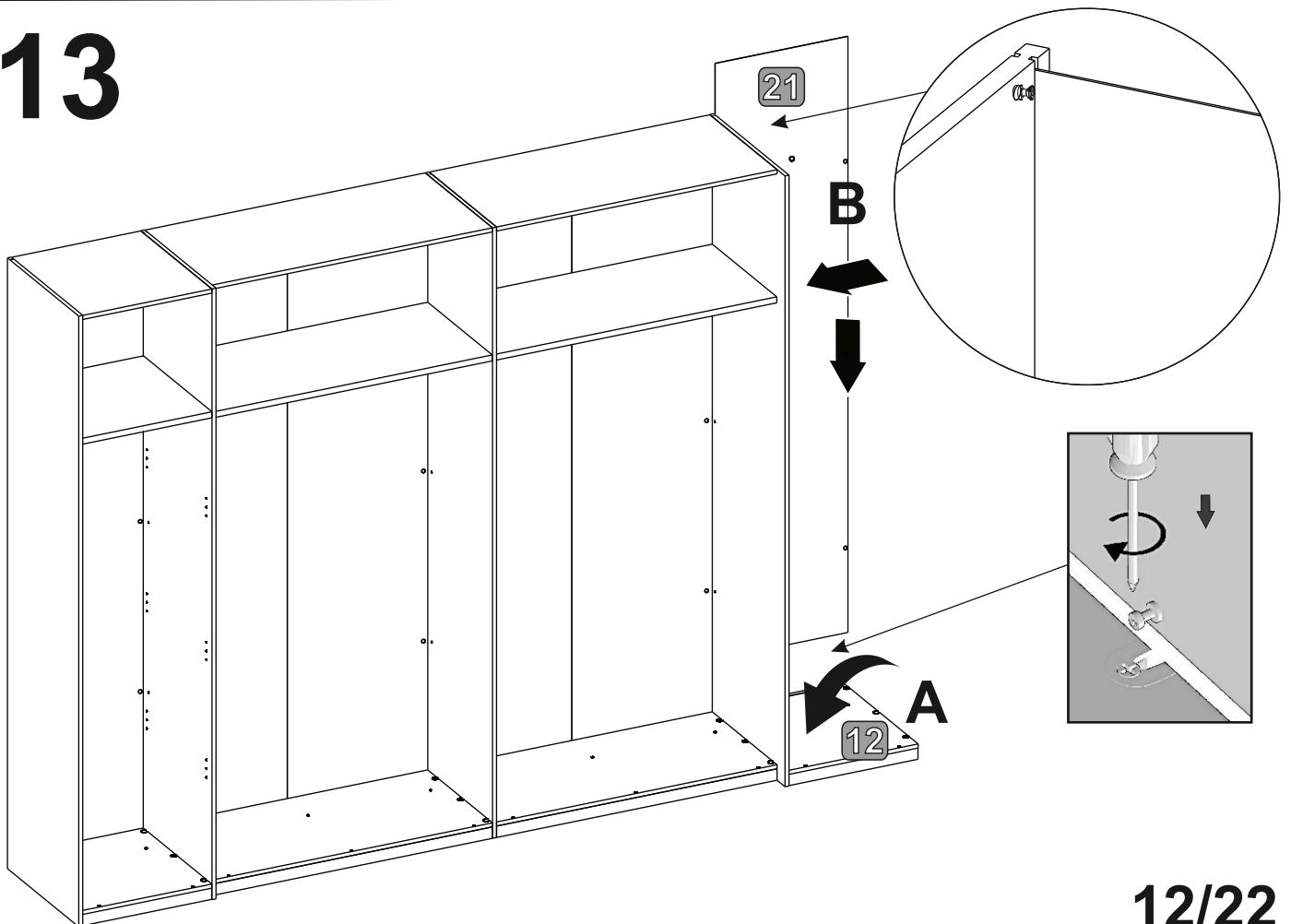
11



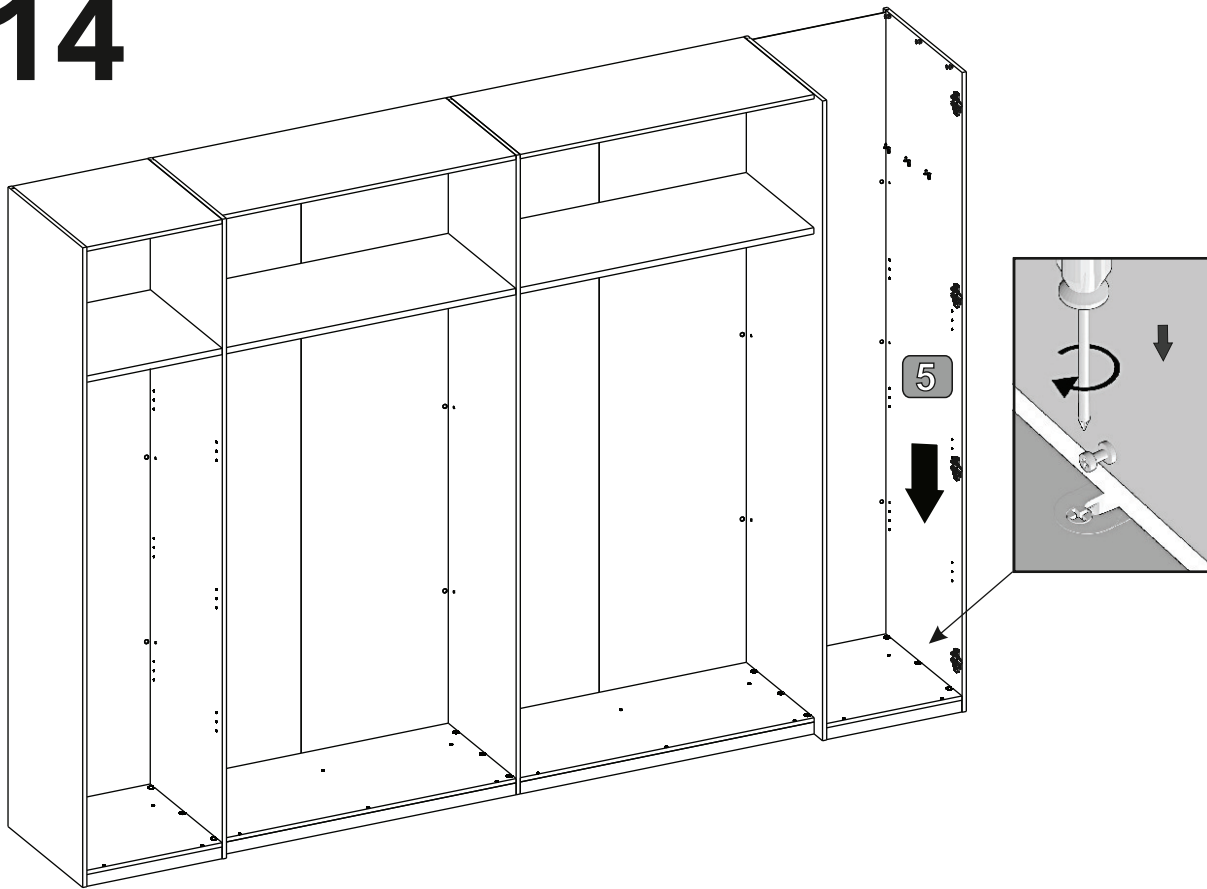
12



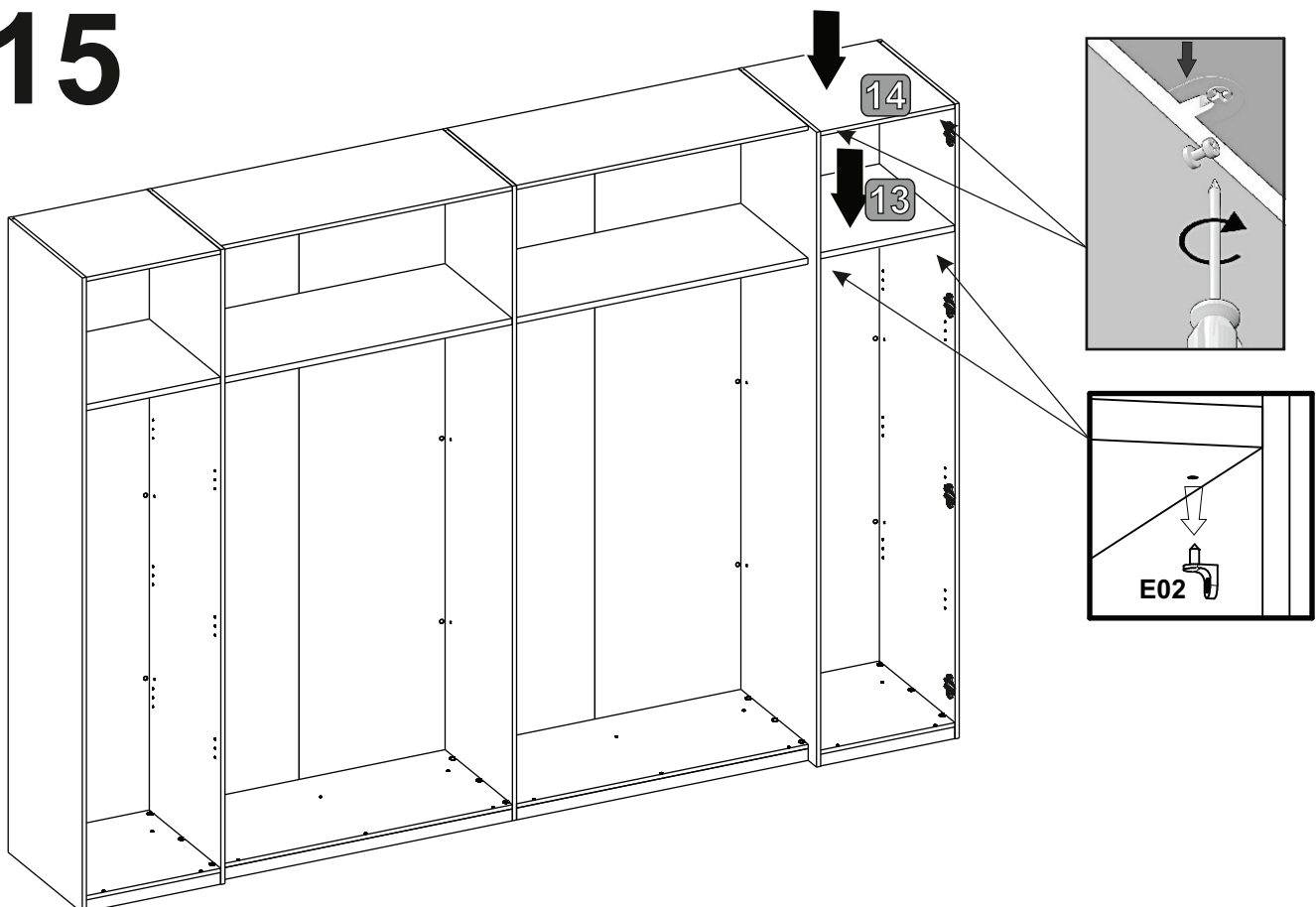
13



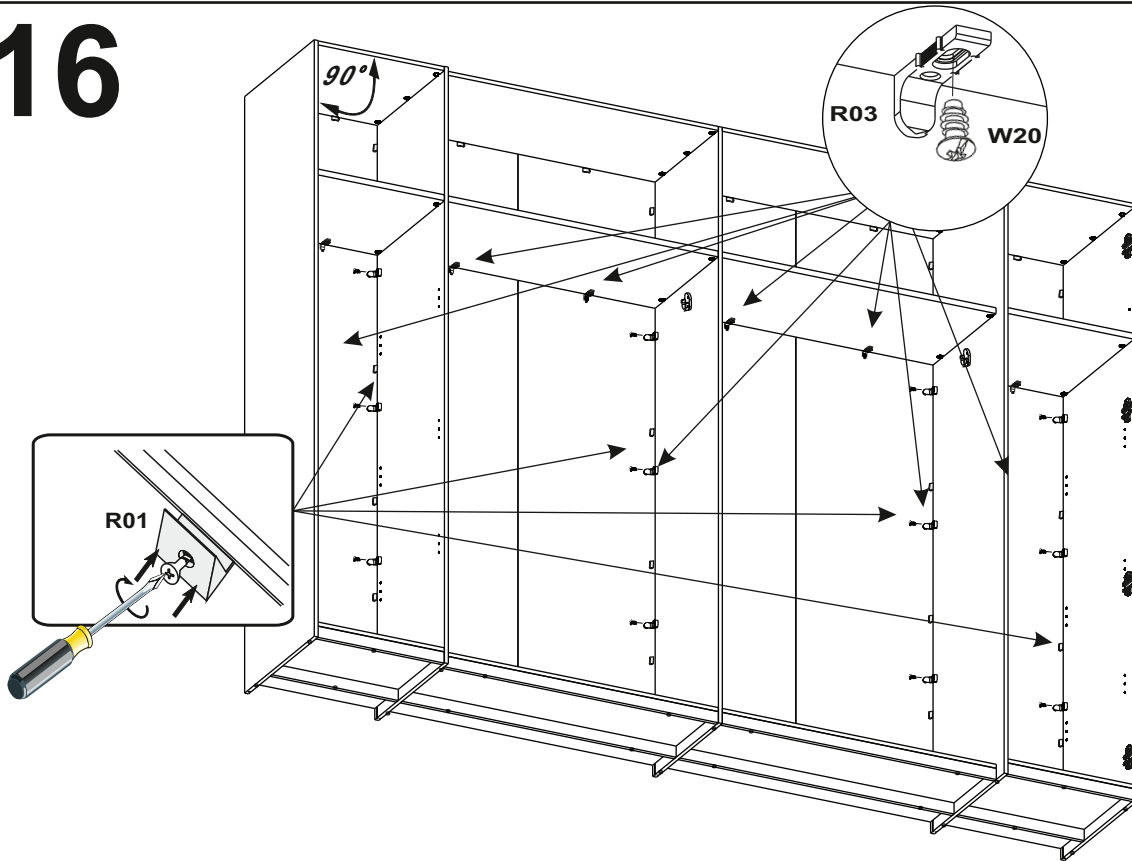
14



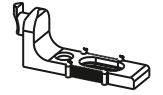
15



## 16



44x R01



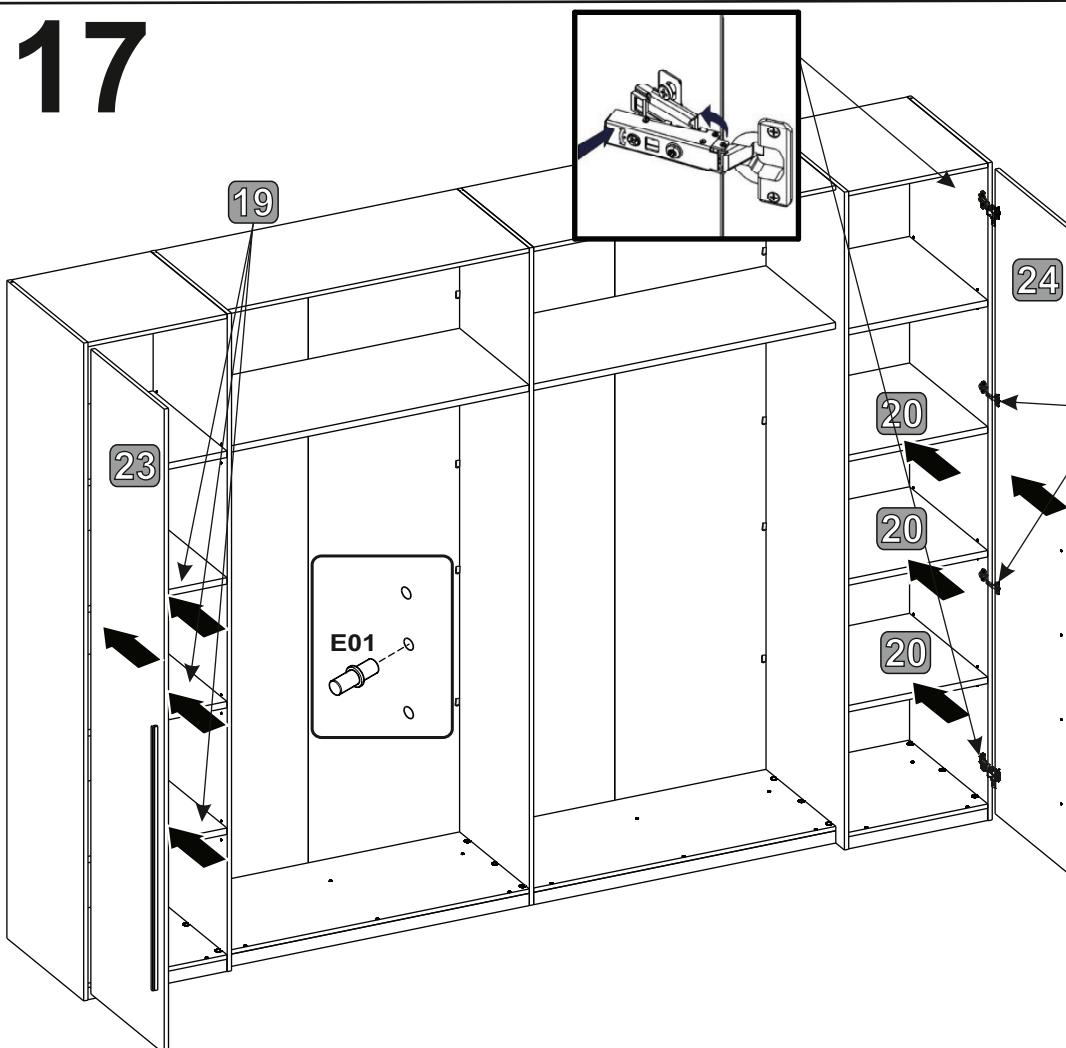
30x R03

6,3x10

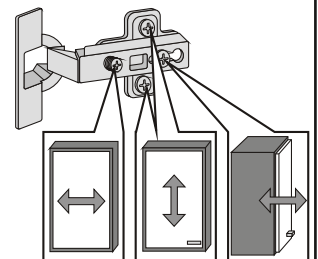
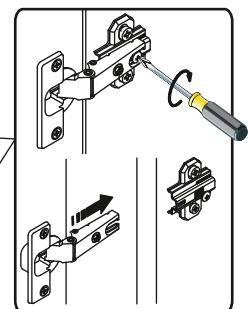


30x W20

## 17

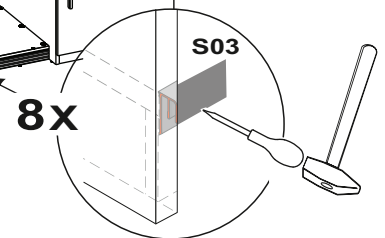
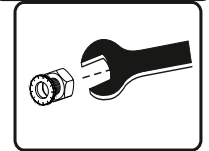
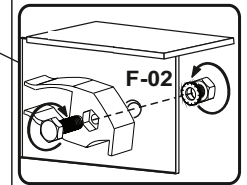
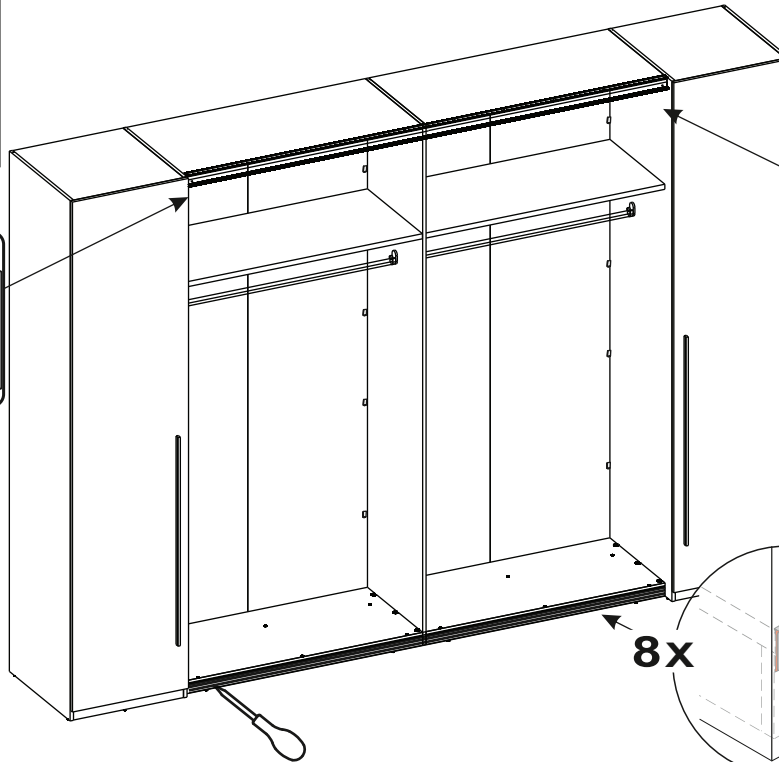
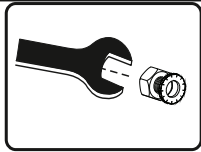
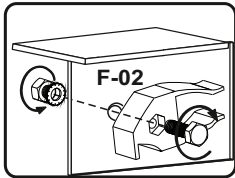
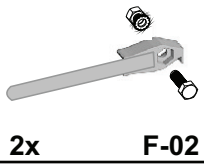


24x E01

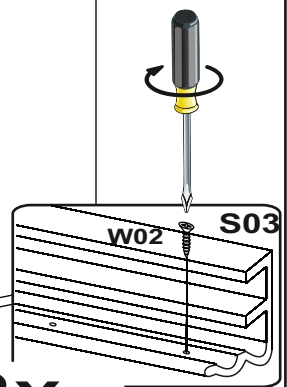
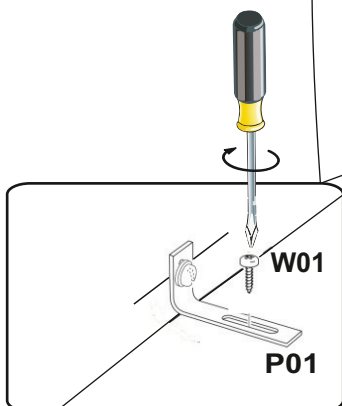
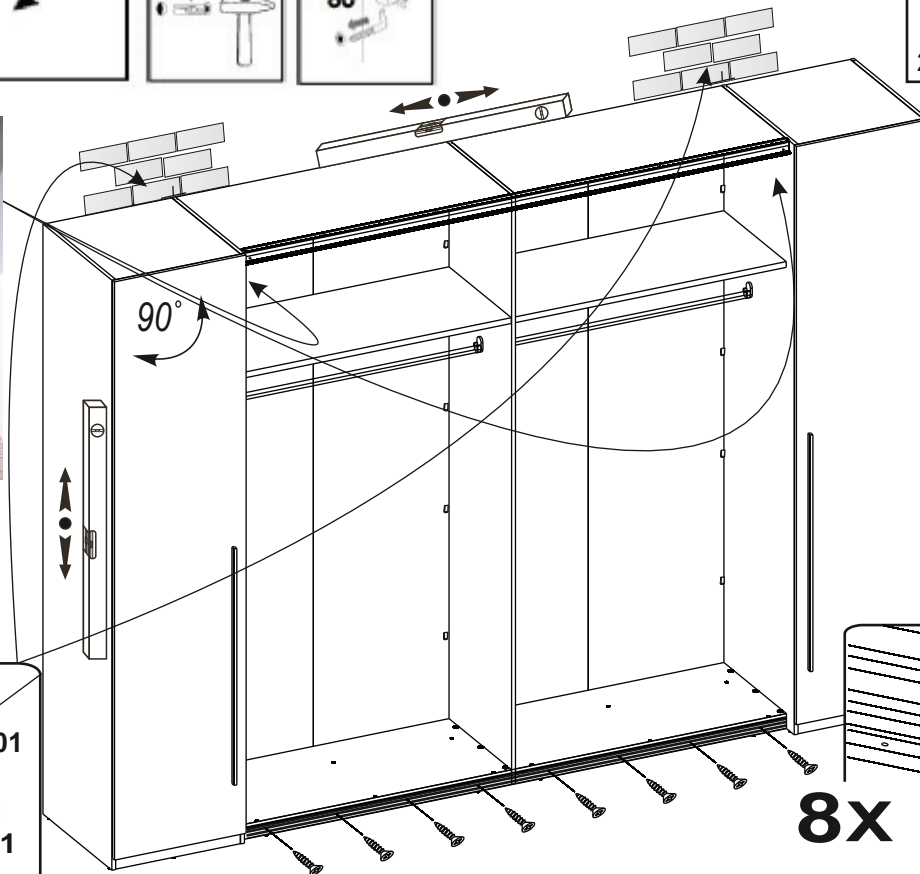
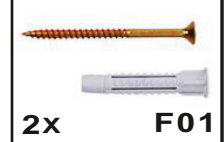
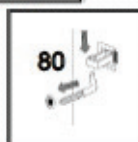
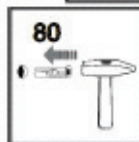
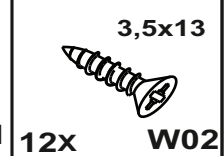
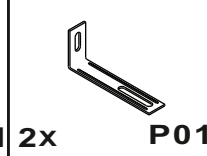
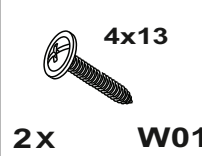
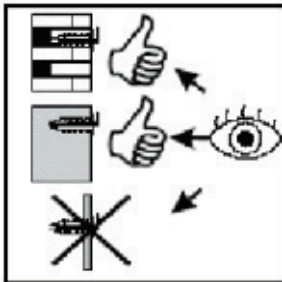




## 20



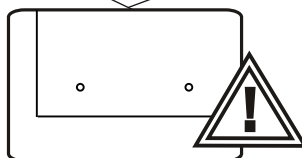
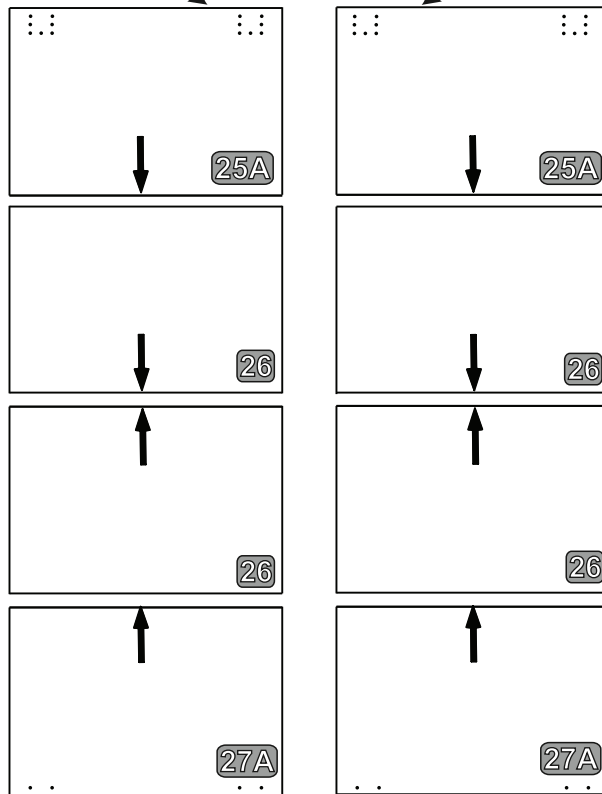
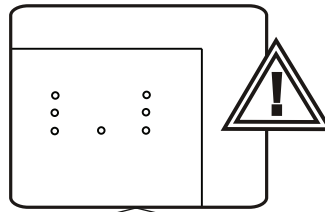
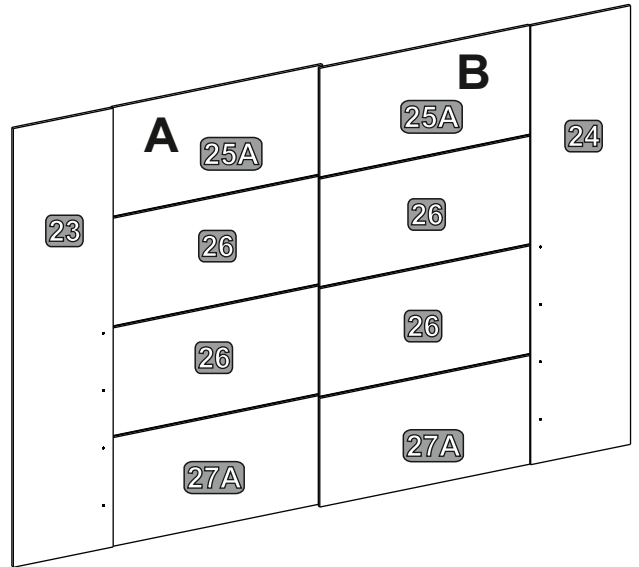
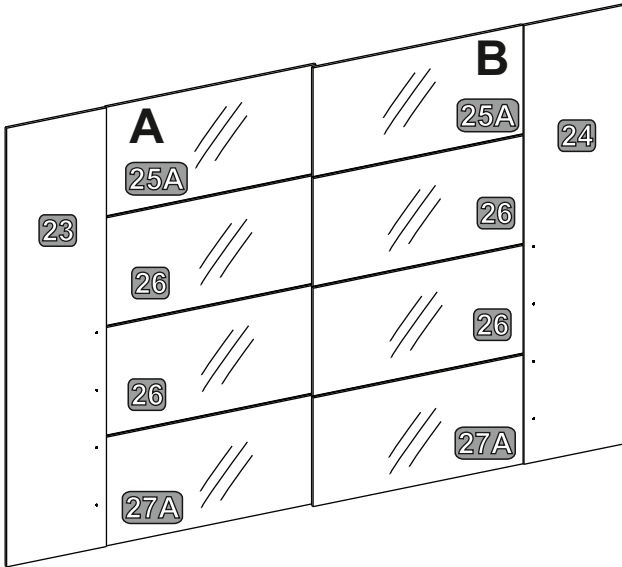
## 21





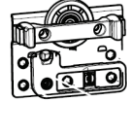
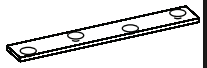


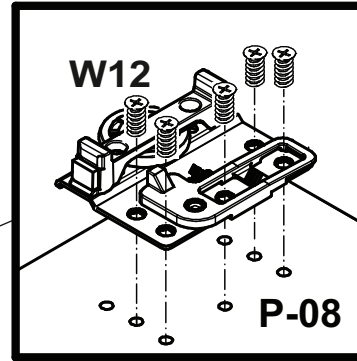
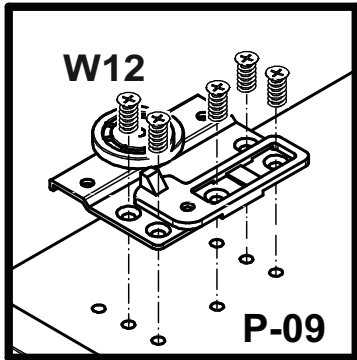
V1



V2

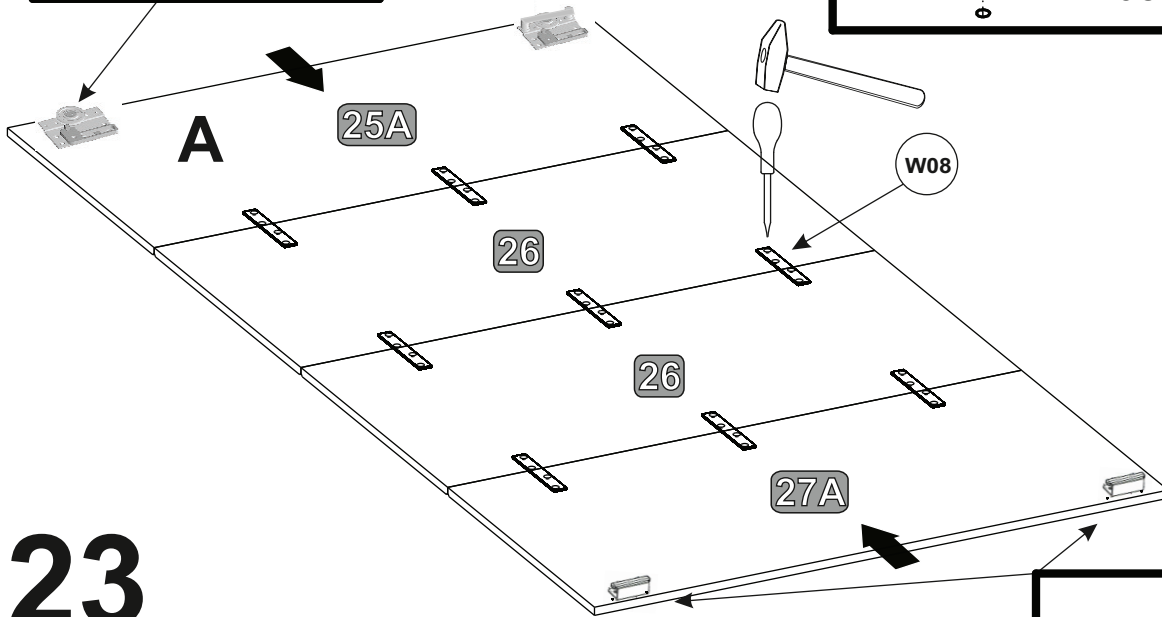


## 22

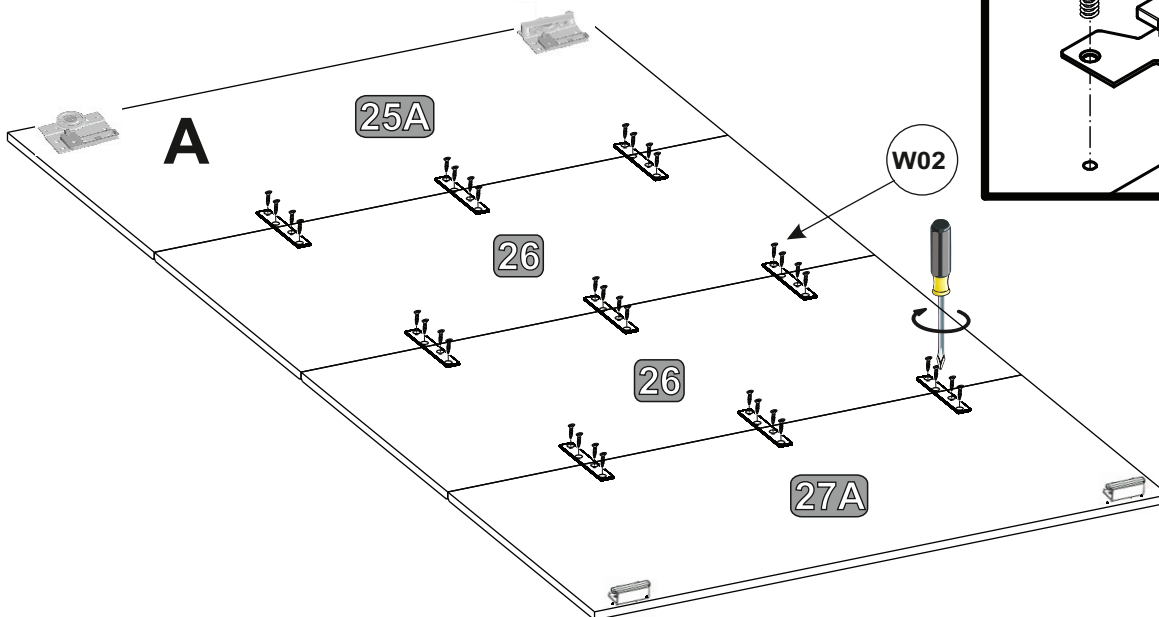
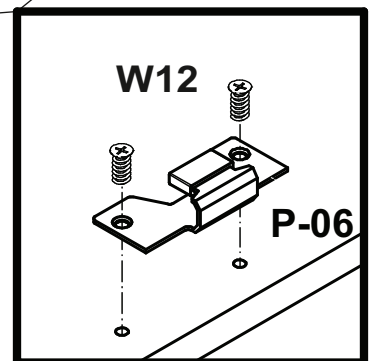
 1x P-09	 2x P-06	 1x P-08	 9x W08
----------------------------------------------------------------------------------------------	-----------------------------------------------------------------------------------------------	------------------------------------------------------------------------------------------------	-----------------------------------------------------------------------------------------------



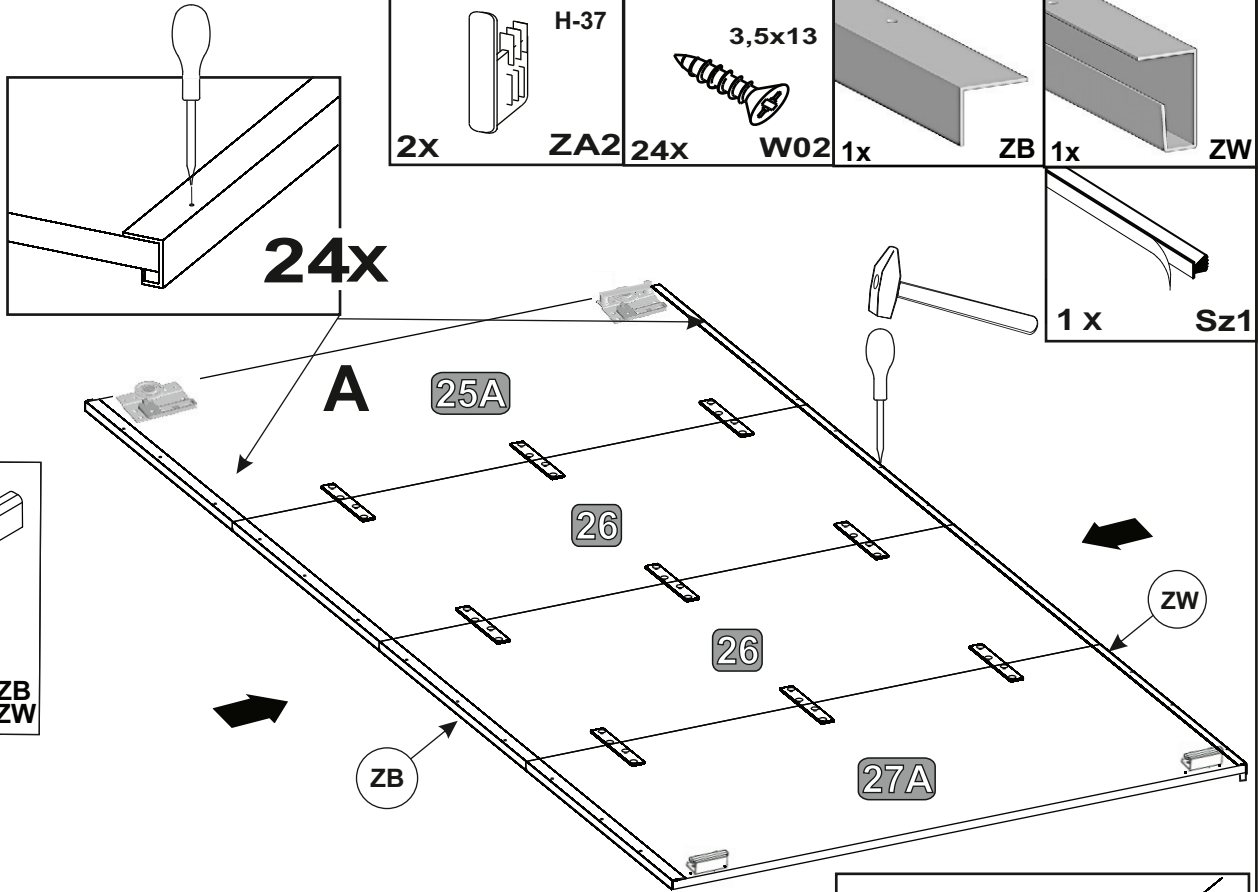
 36x W02 3,5x13	 14x W12 6x11
----------------------------------------------------------------------------------------------------------	--------------------------------------------------------------------------------------------------------



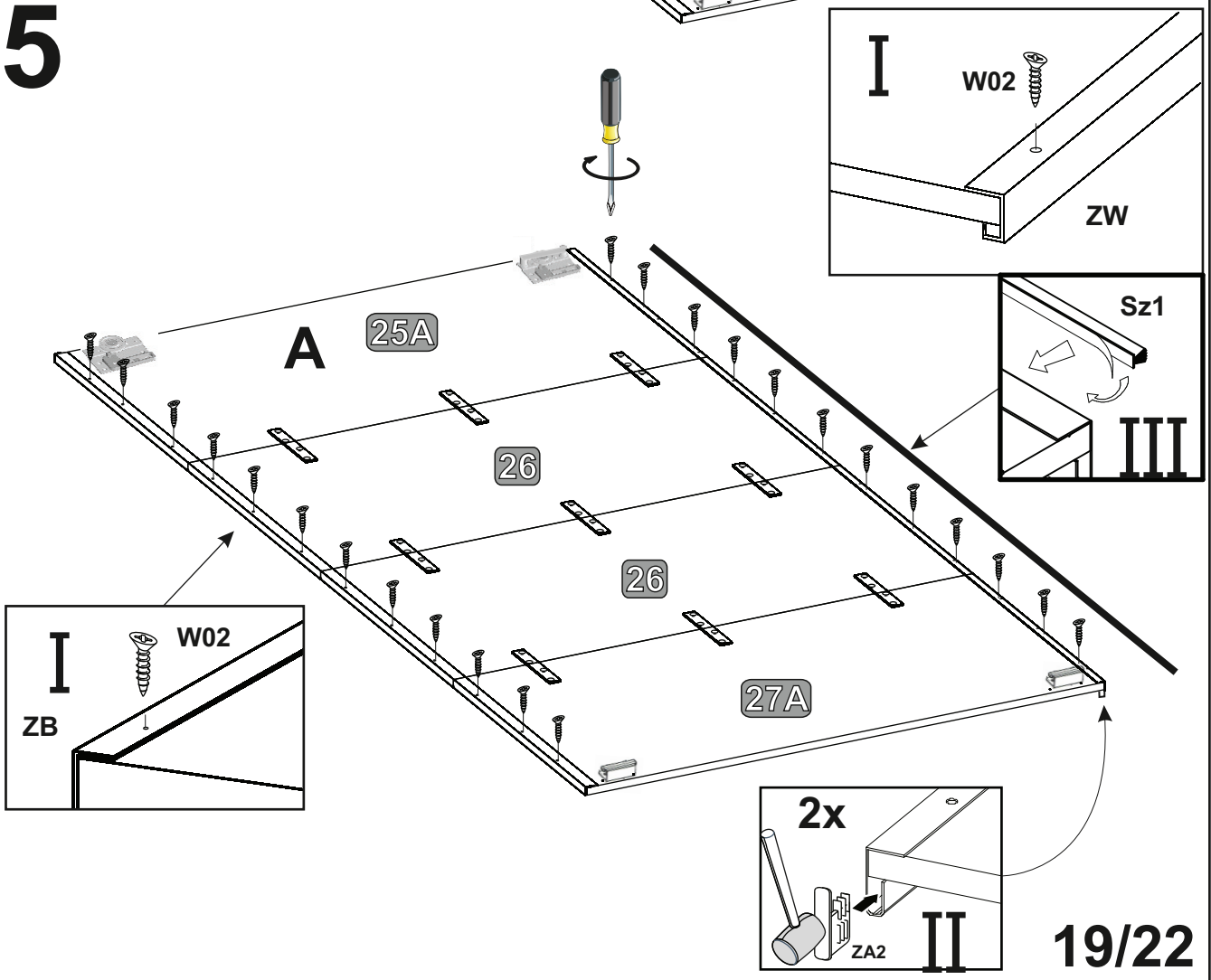
## 23



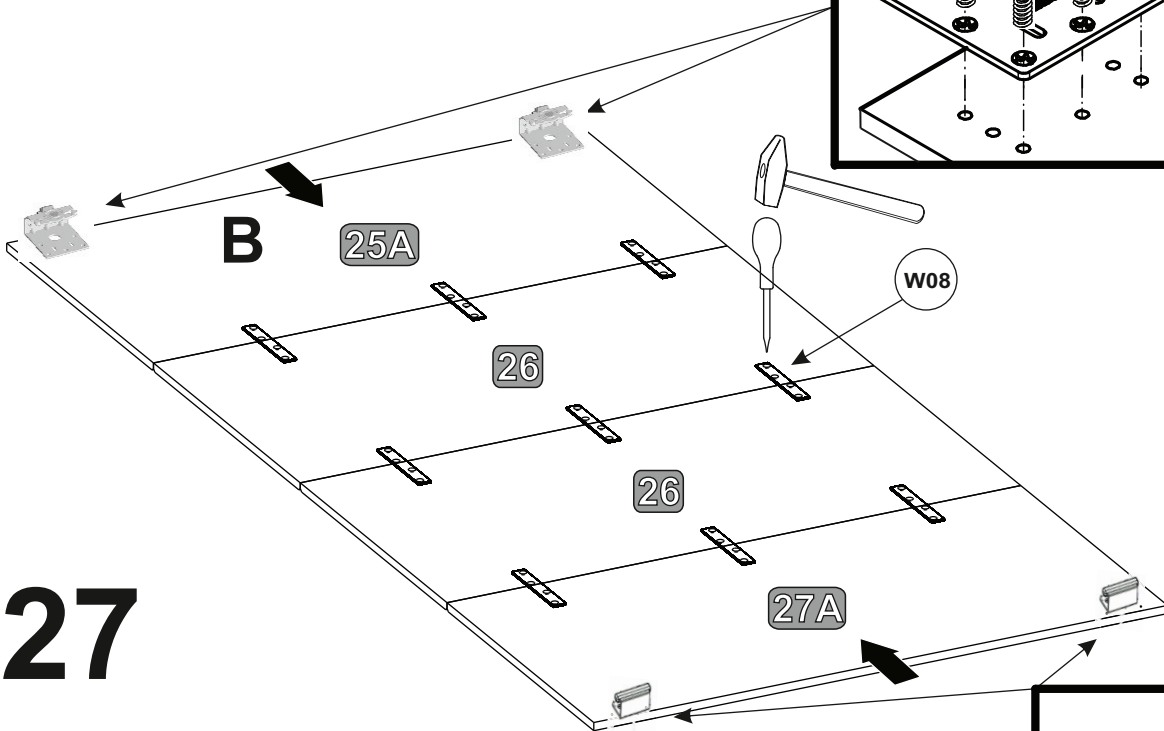
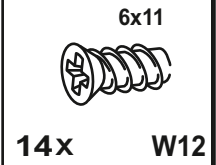
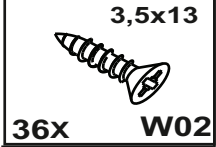
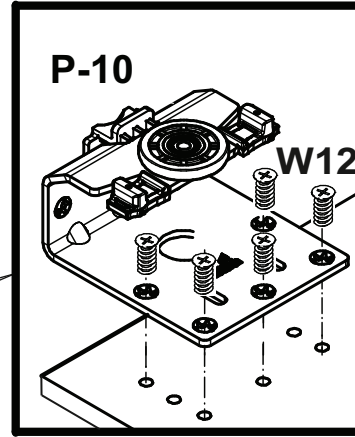
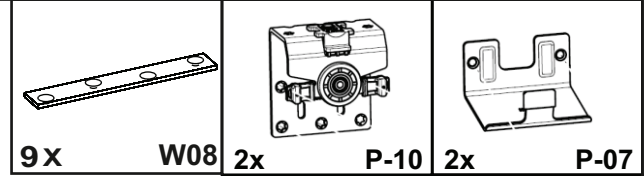
## 24



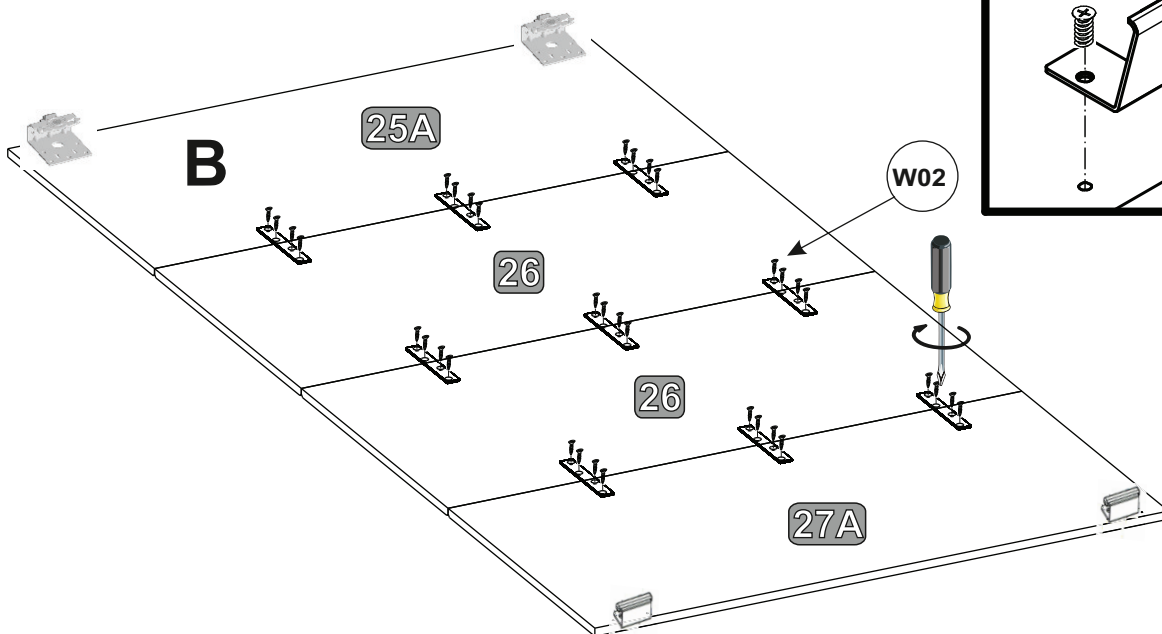
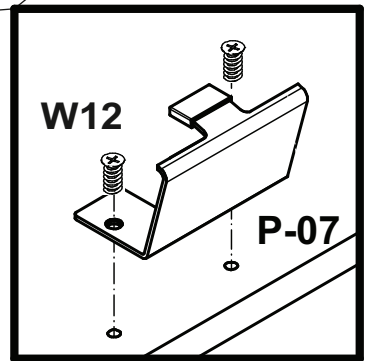
## 25



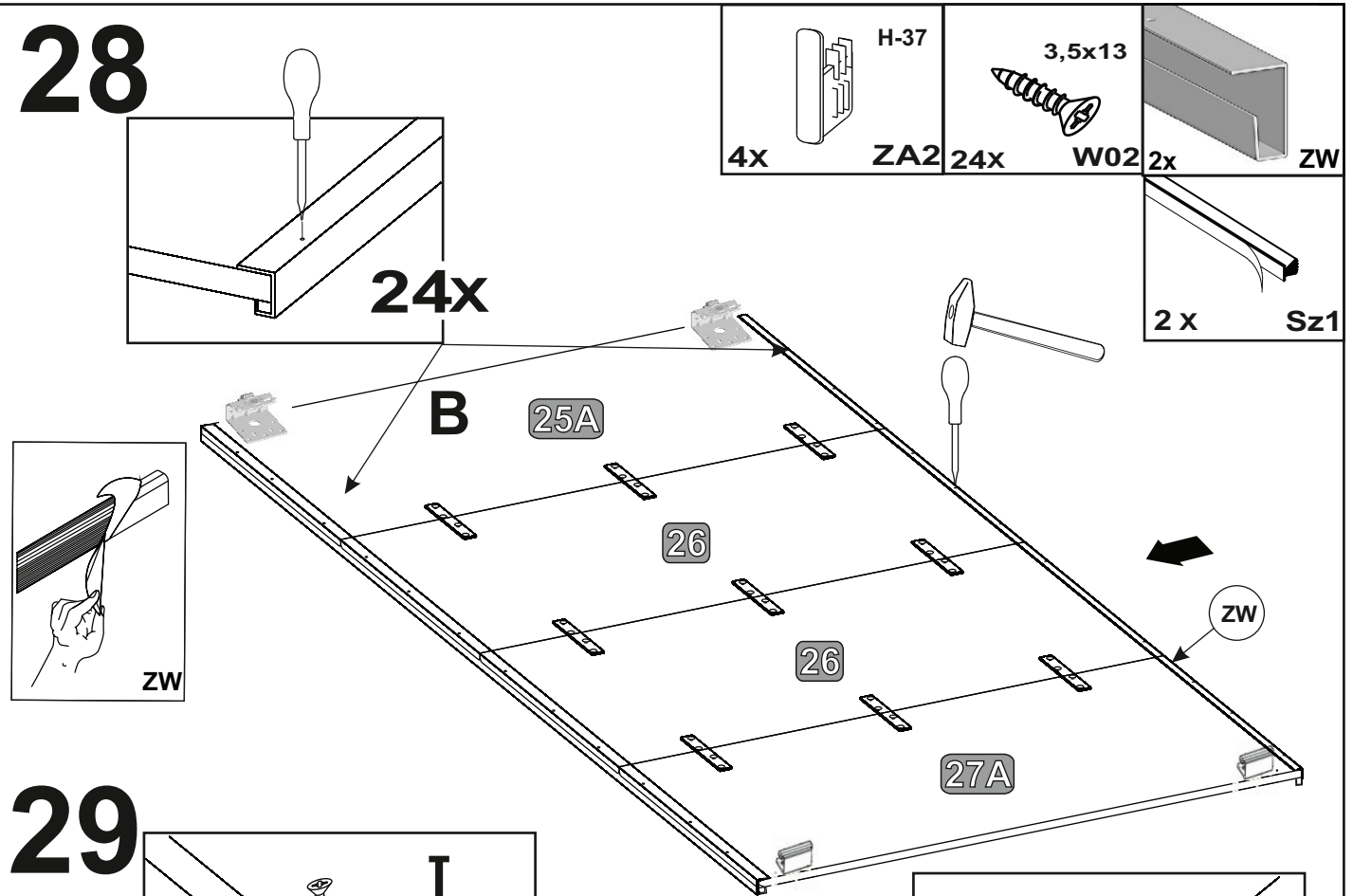
## 26



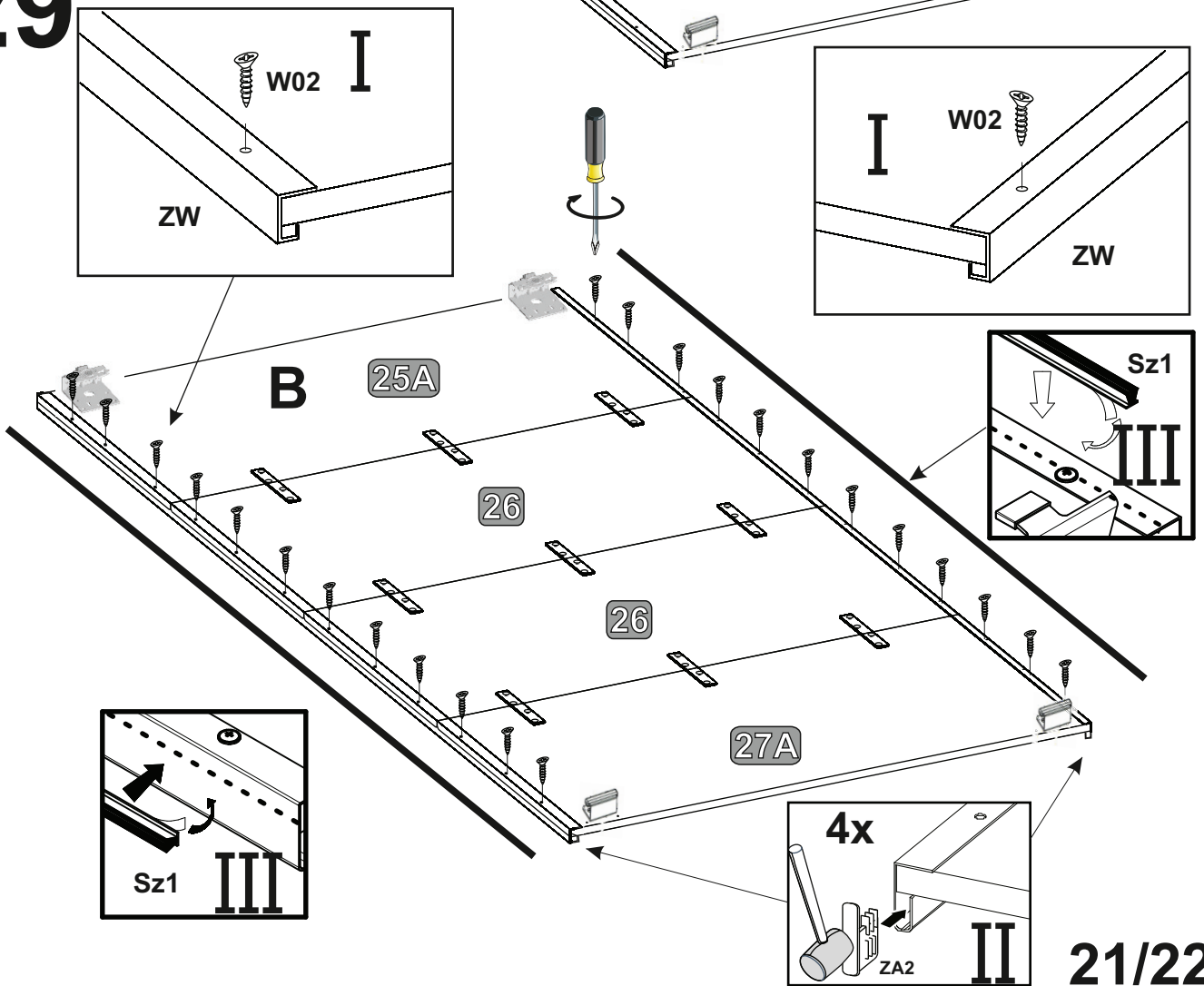
## 27



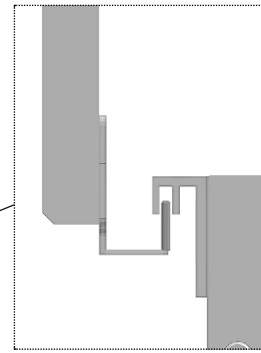
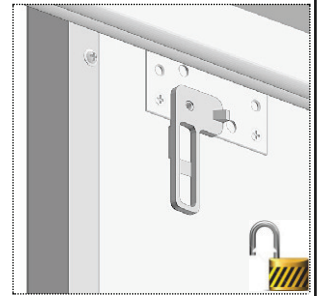
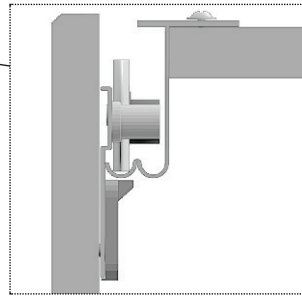
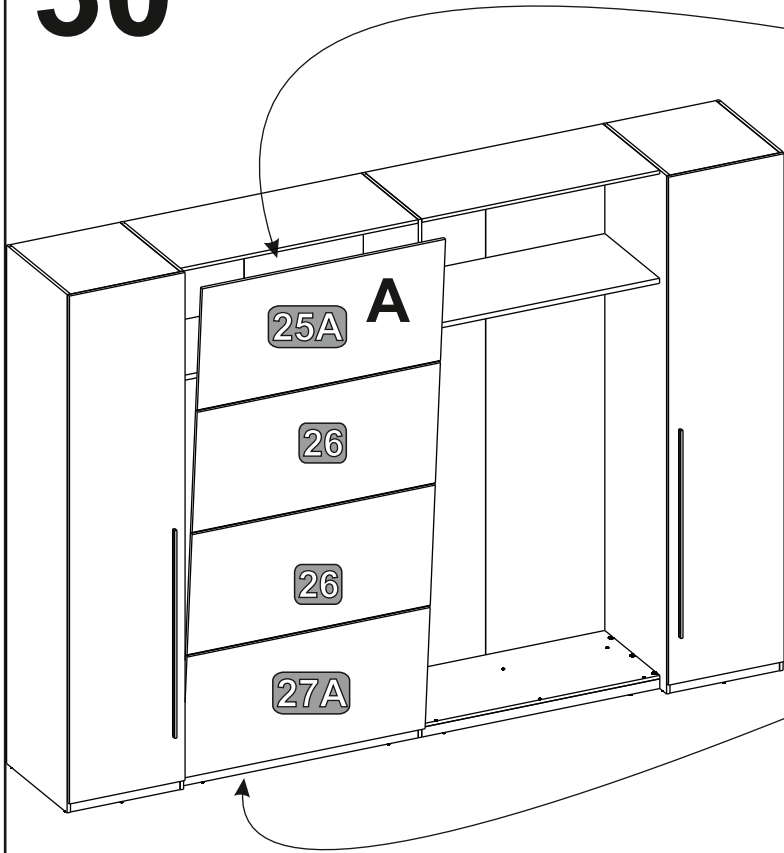
## 28



## 29



30



31

