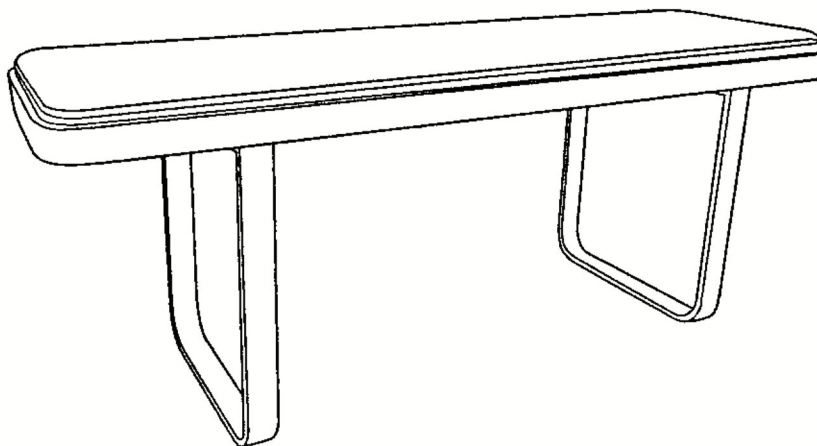
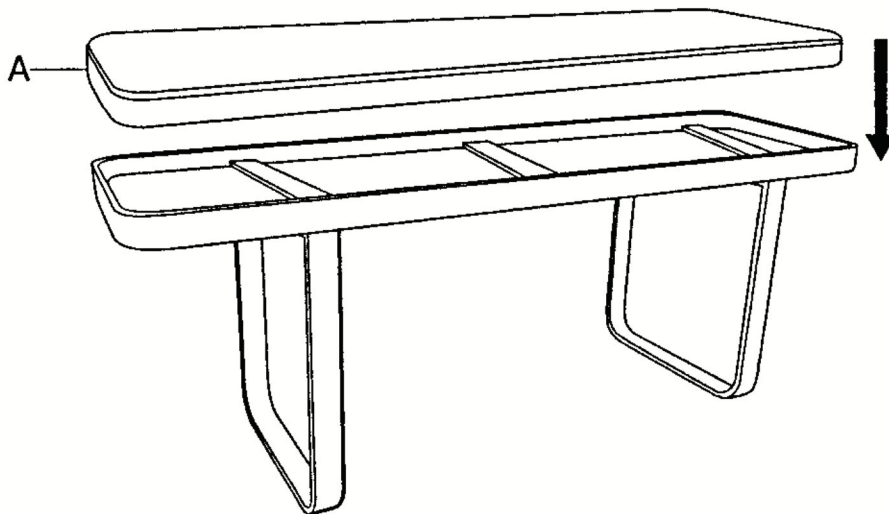
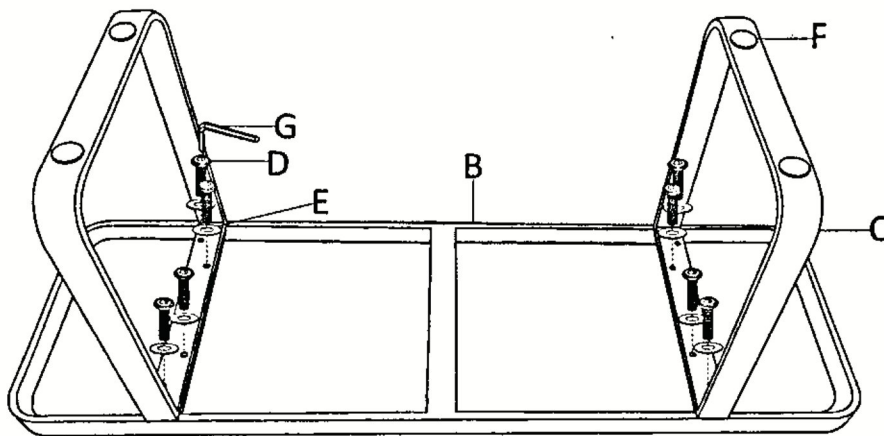


61961

6.A56A



Ax1	Bx1	Cx2	Dx8
Ex8	Fx4	Gx1	