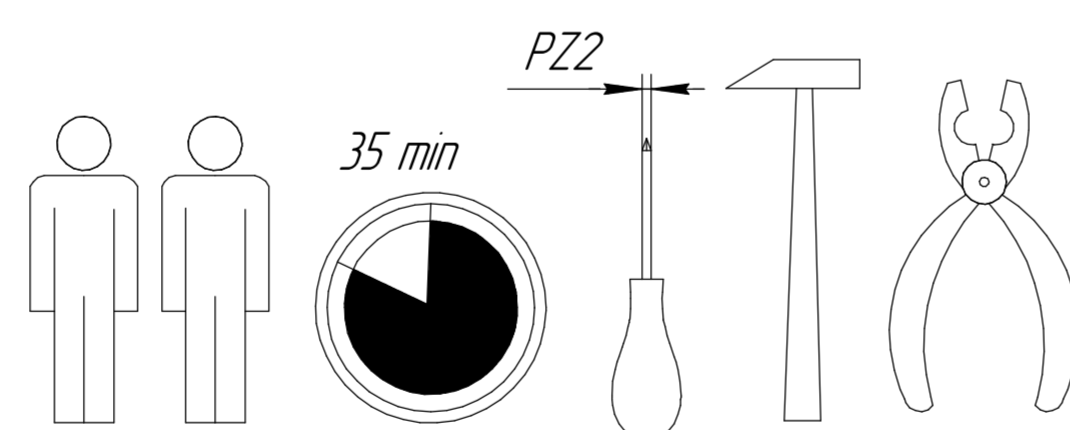
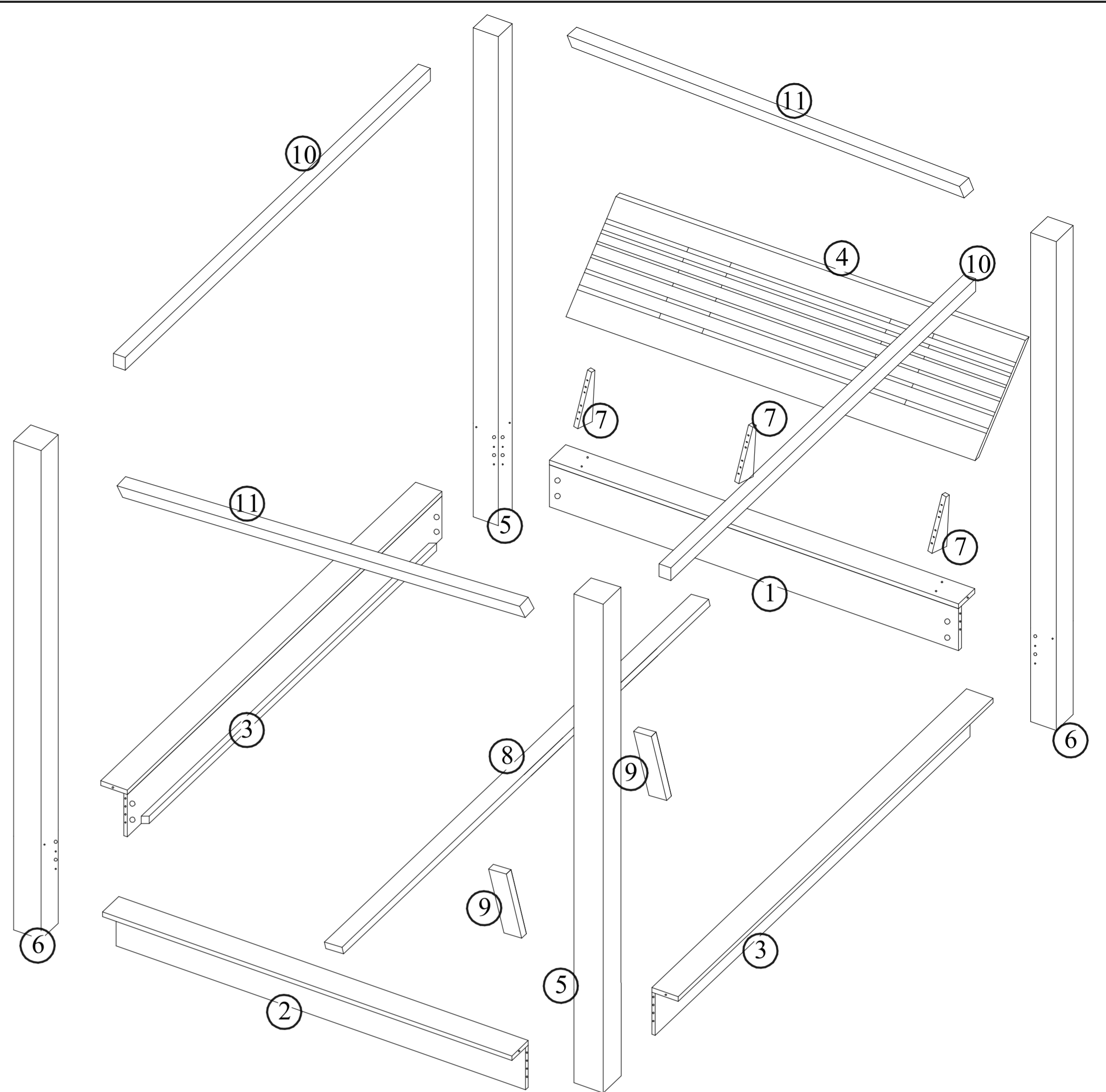
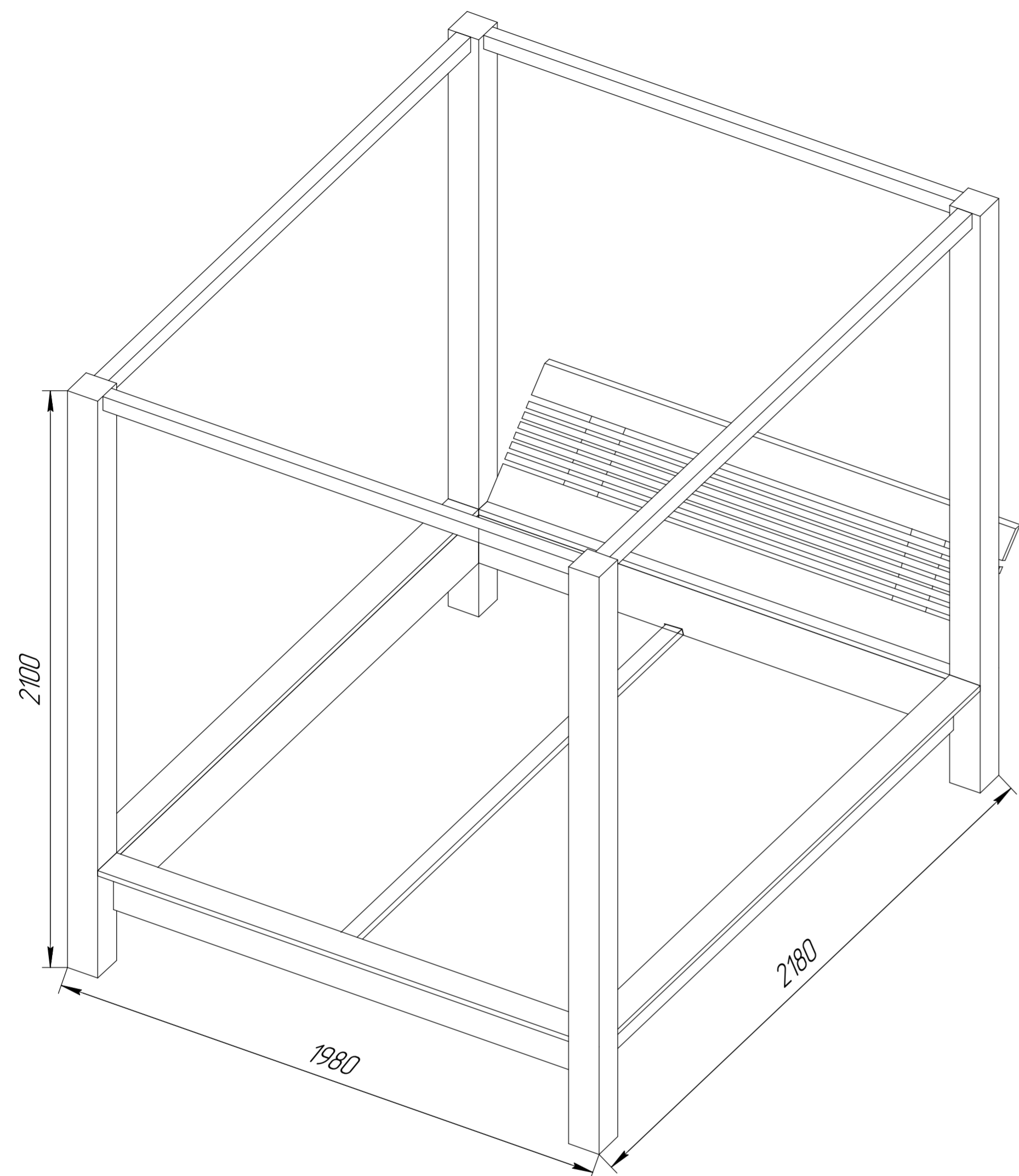
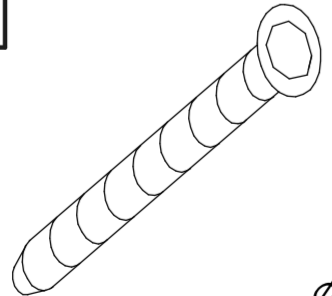
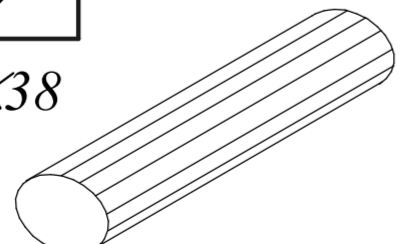
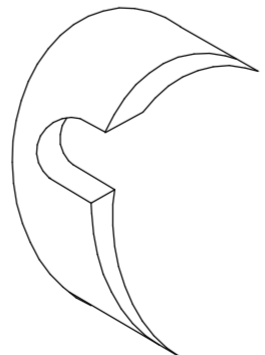
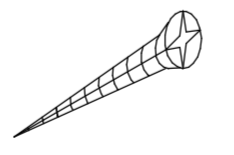
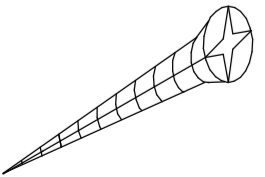
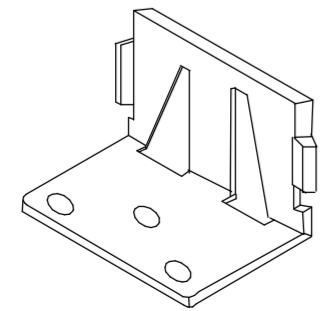
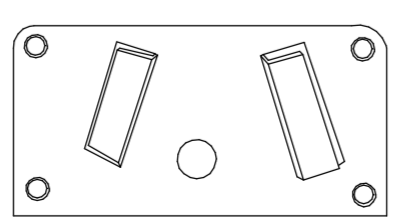
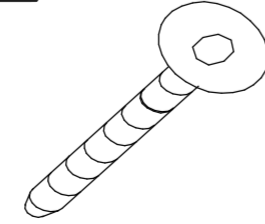
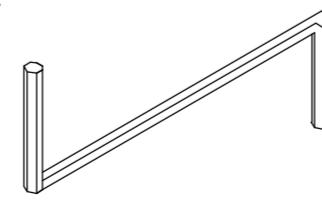


MONTAGEANLEITUNG BETT 180

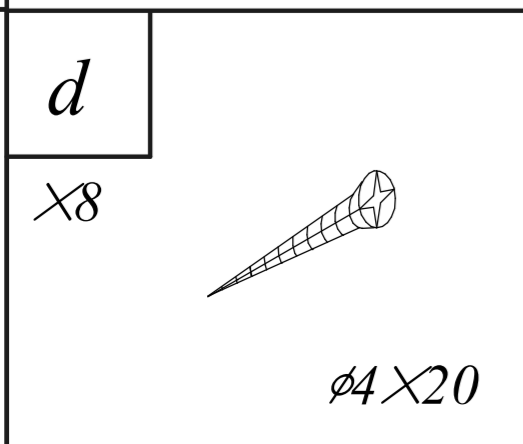
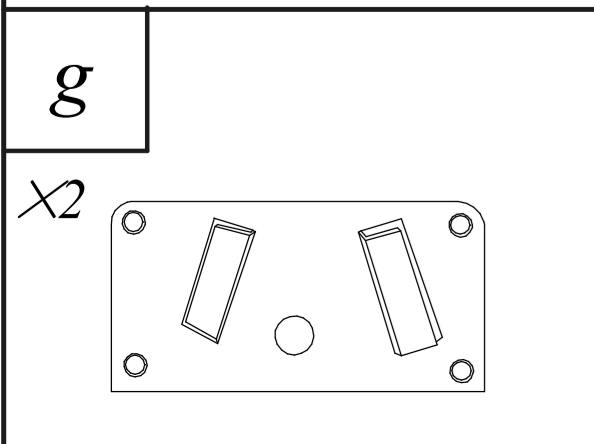
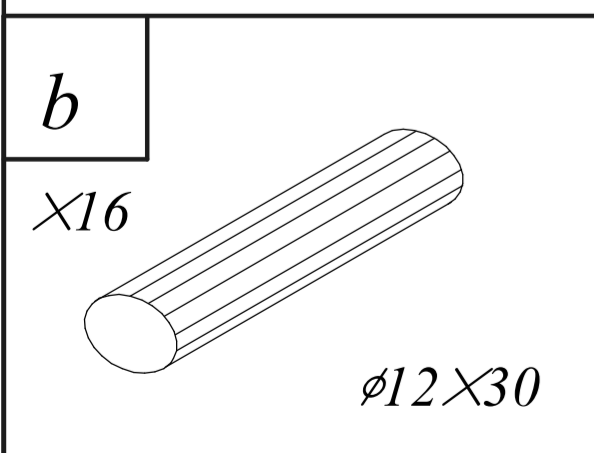
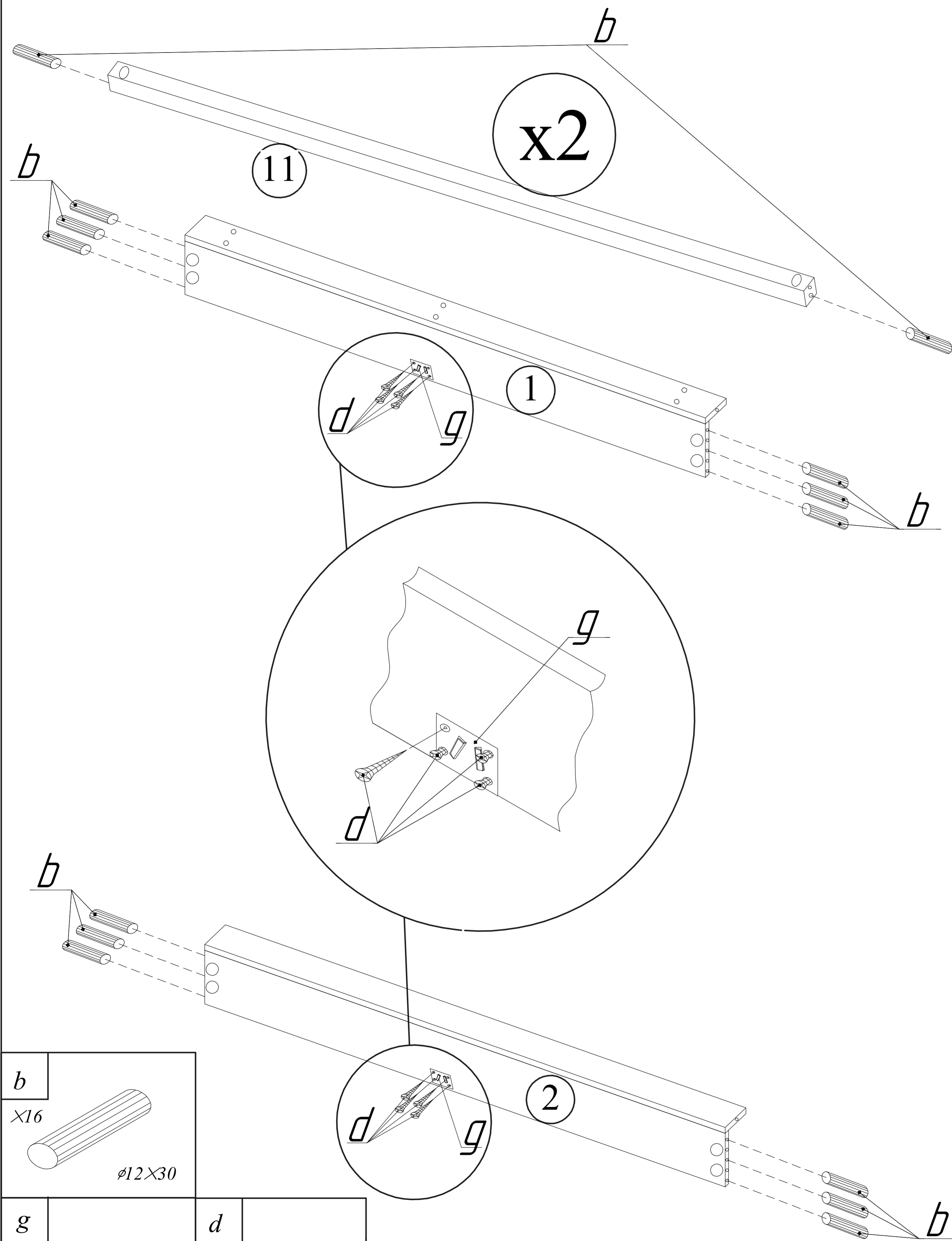


TEILE - NR	ANZAHL	MASS HxBxT (mm)	Coll
①	1	250x1800	2.5
②	1	250x1800	2.5
③	2	250x2000	1.5
④	1	410x1800	3.5
⑤	2	90x2100	4.5
⑥	2	90x2100	5.5
⑦	3	80x430	5.5
⑧	1	80x1985	4.5
⑨	2	70x265	5.5
⑩	2	50x2000	1.5
⑪	2	50x1800	2.5

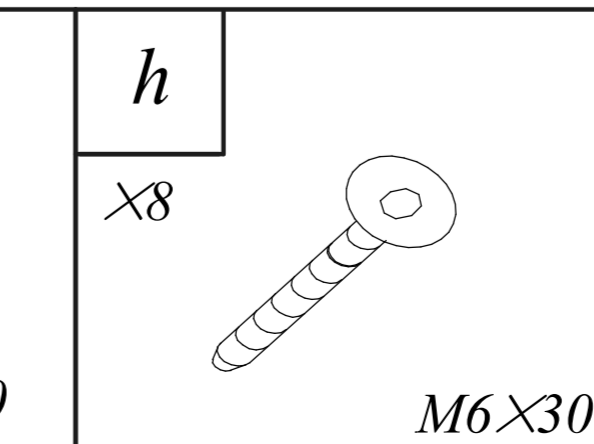
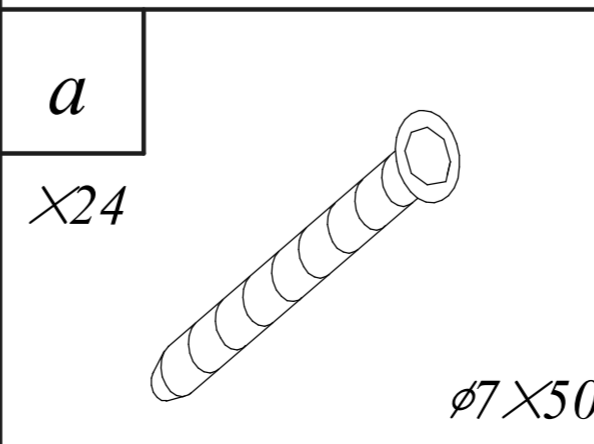
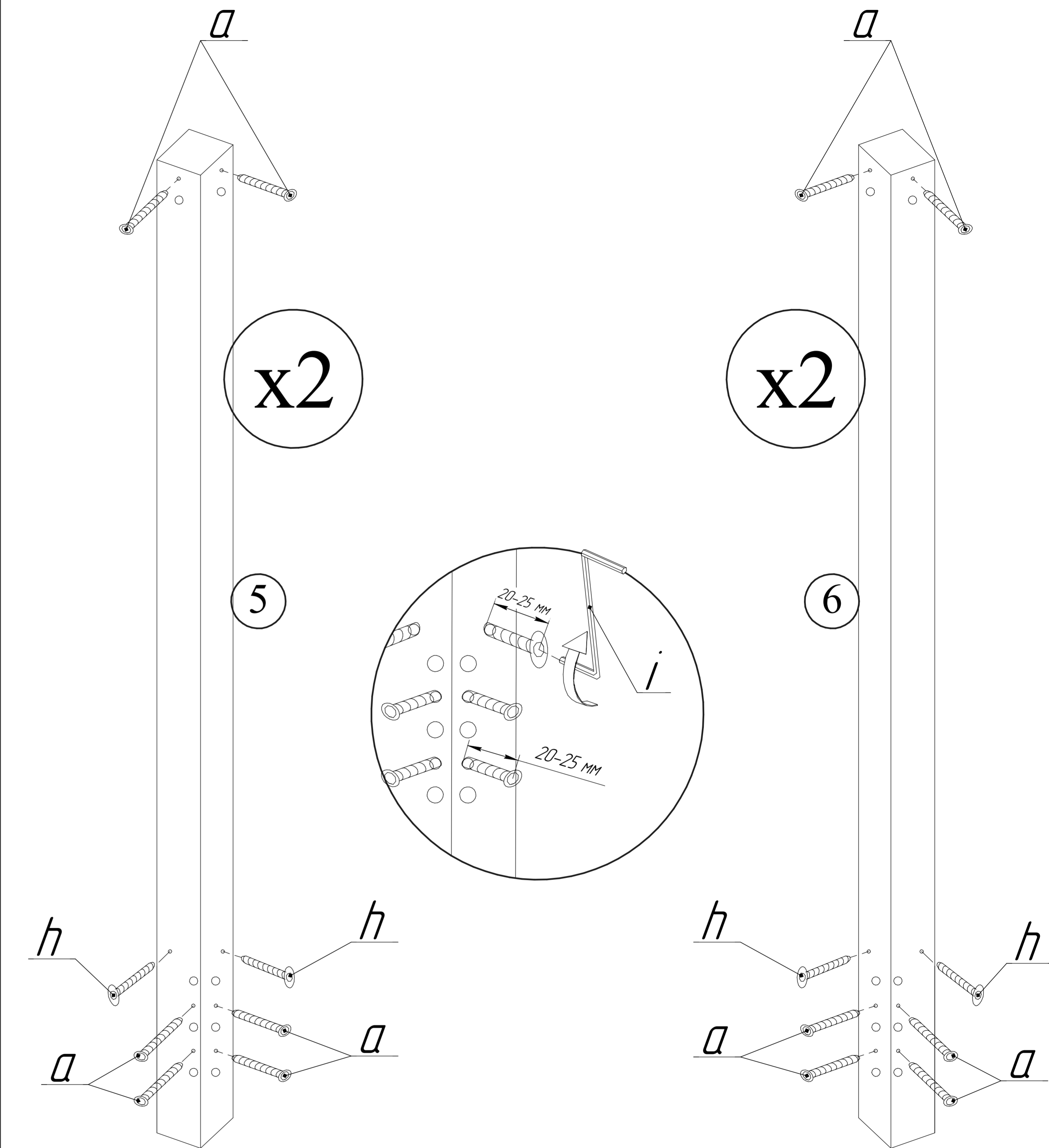
a x34  ø7x50	b x38  ø12x30	c x32  ø35	d x14  ø4x20
e x9  ø4x40	f x2 	g x2 	h x8  M6x30
i x1 			

1/9

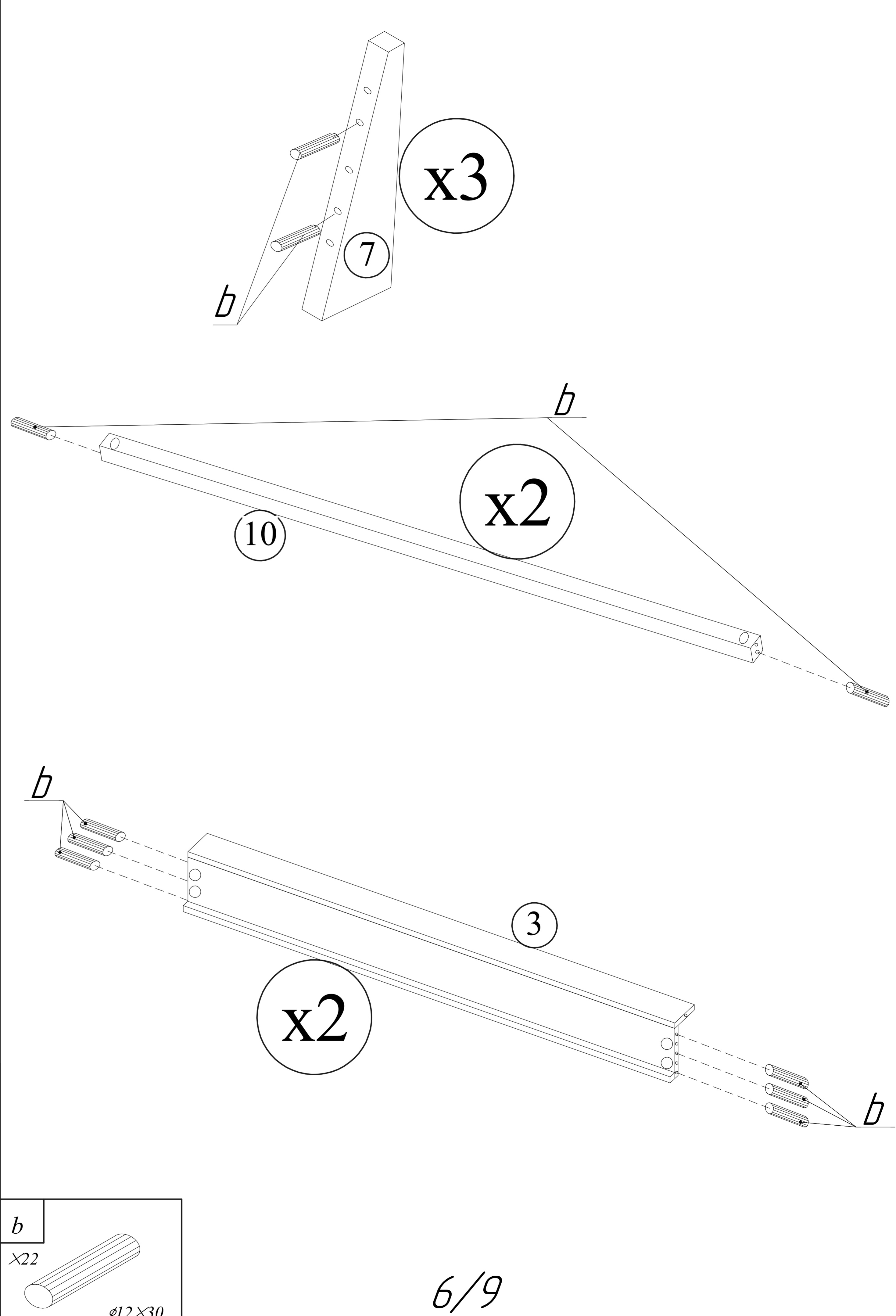
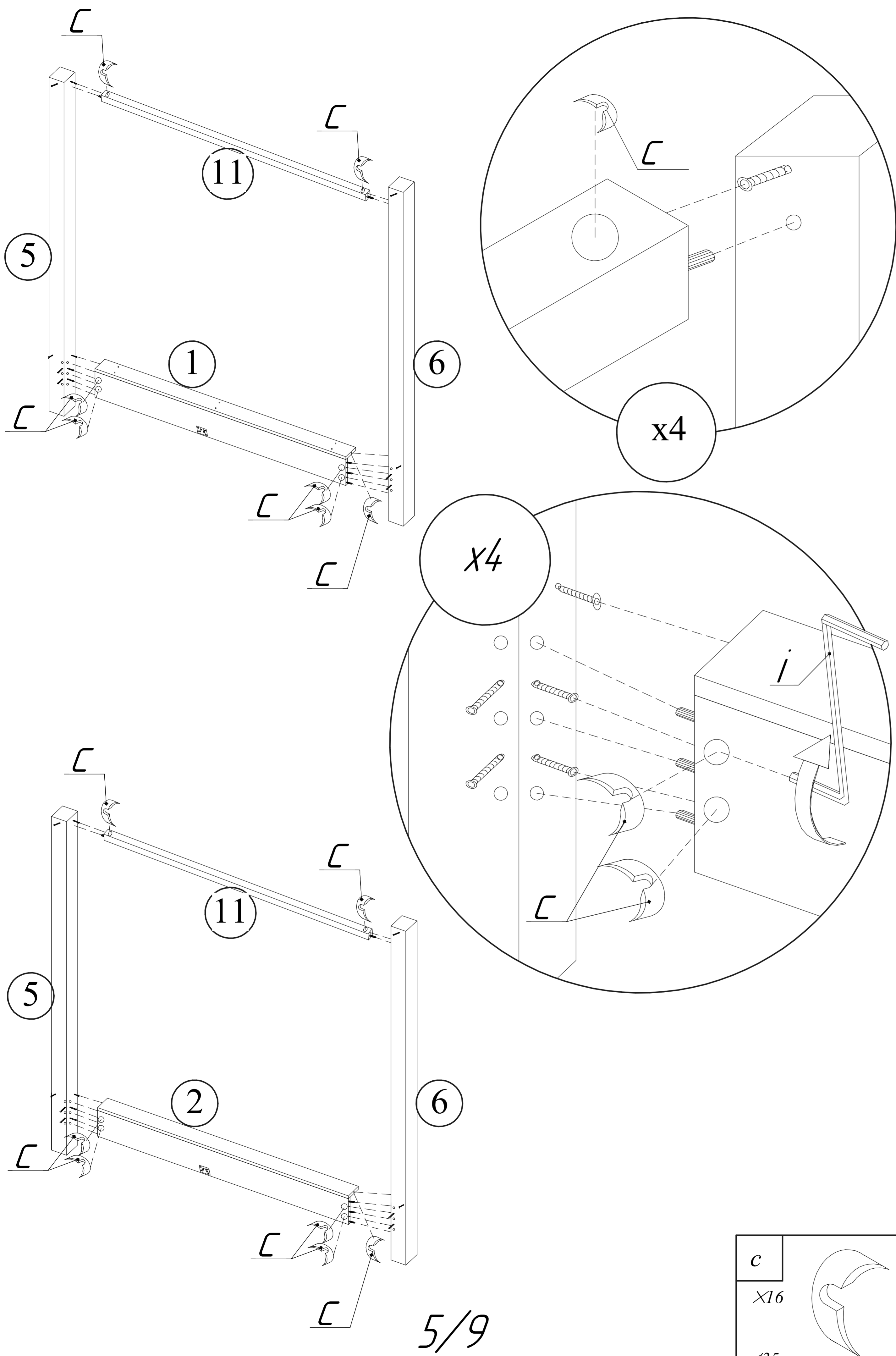
2/9

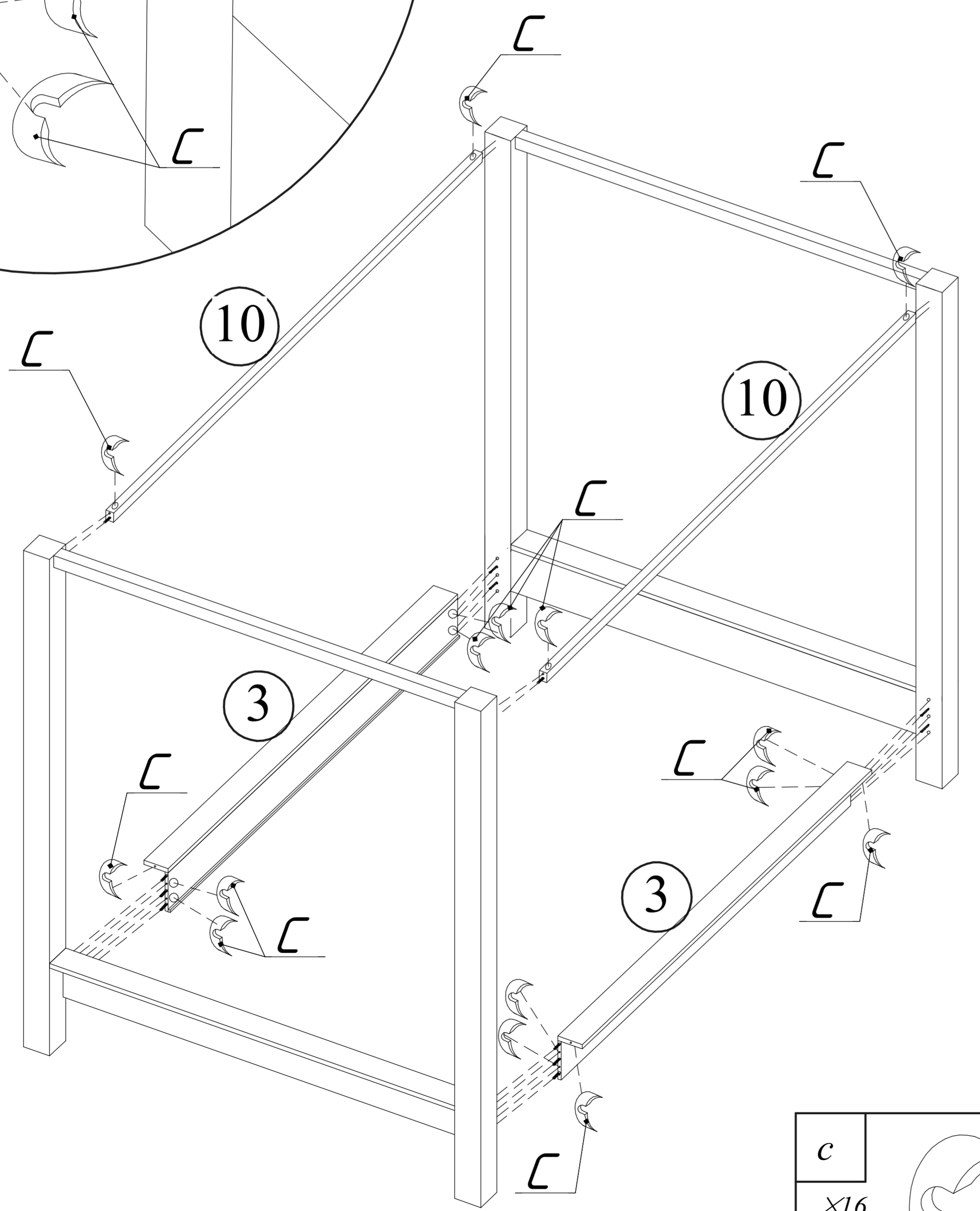
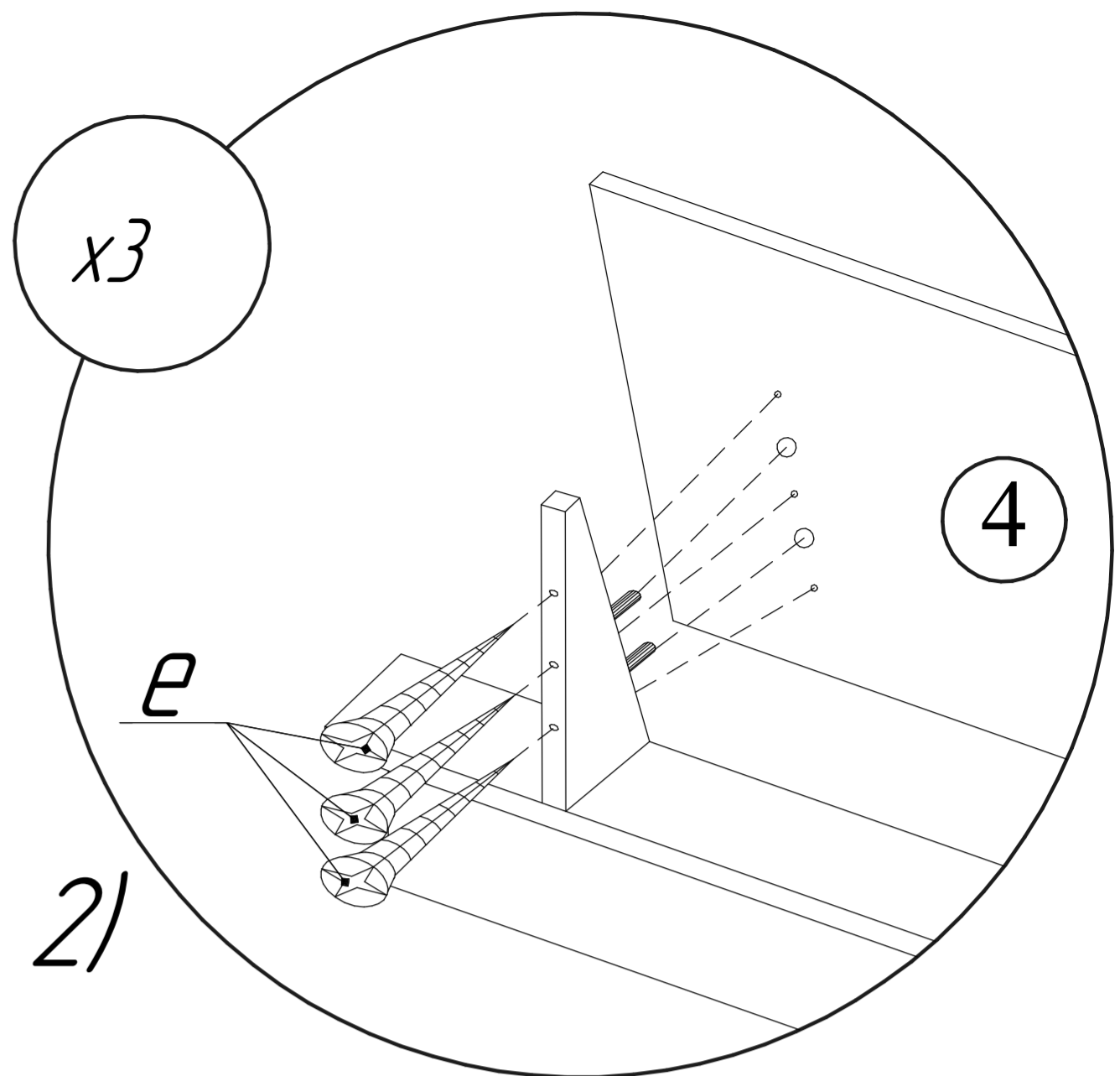
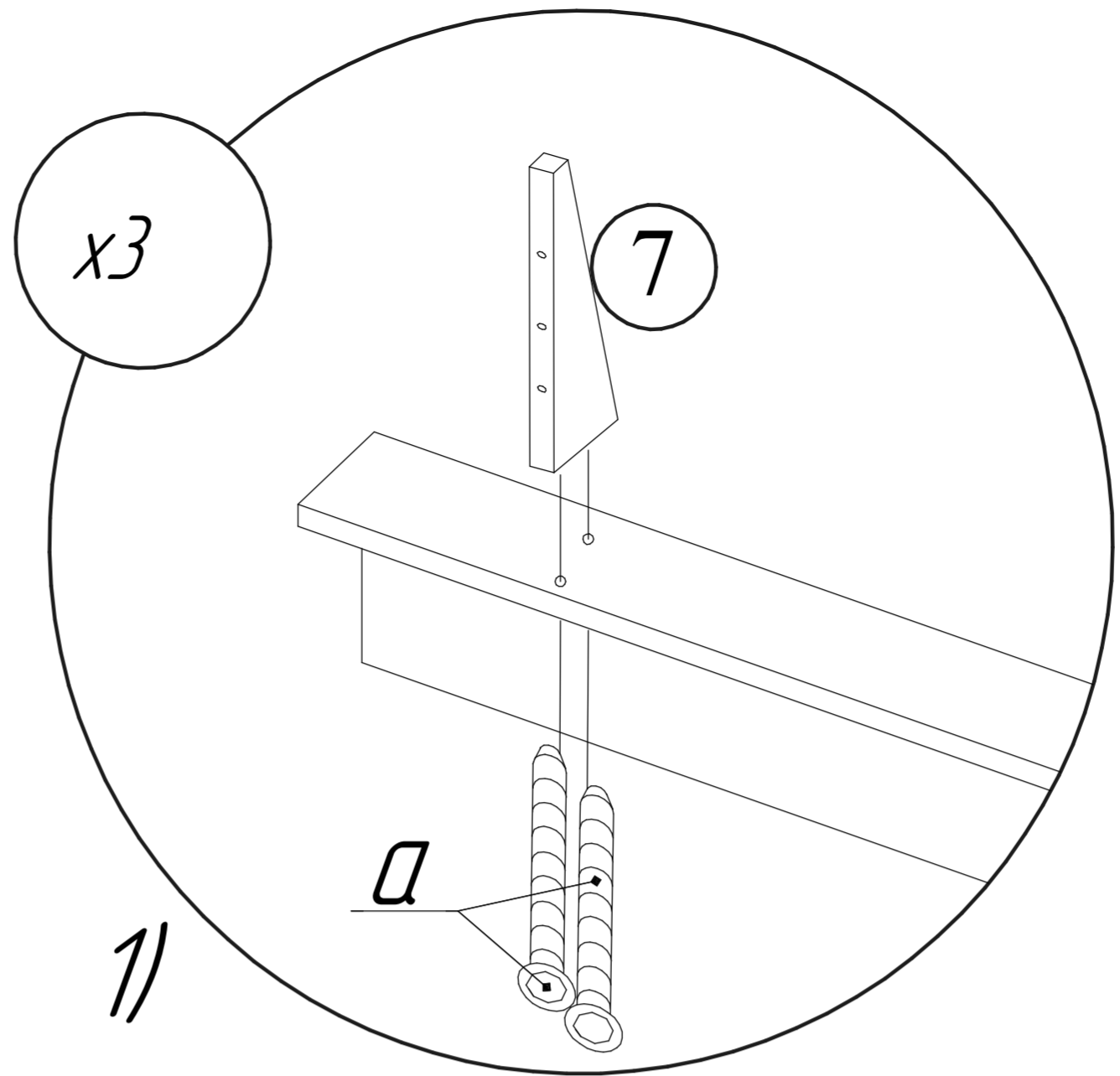
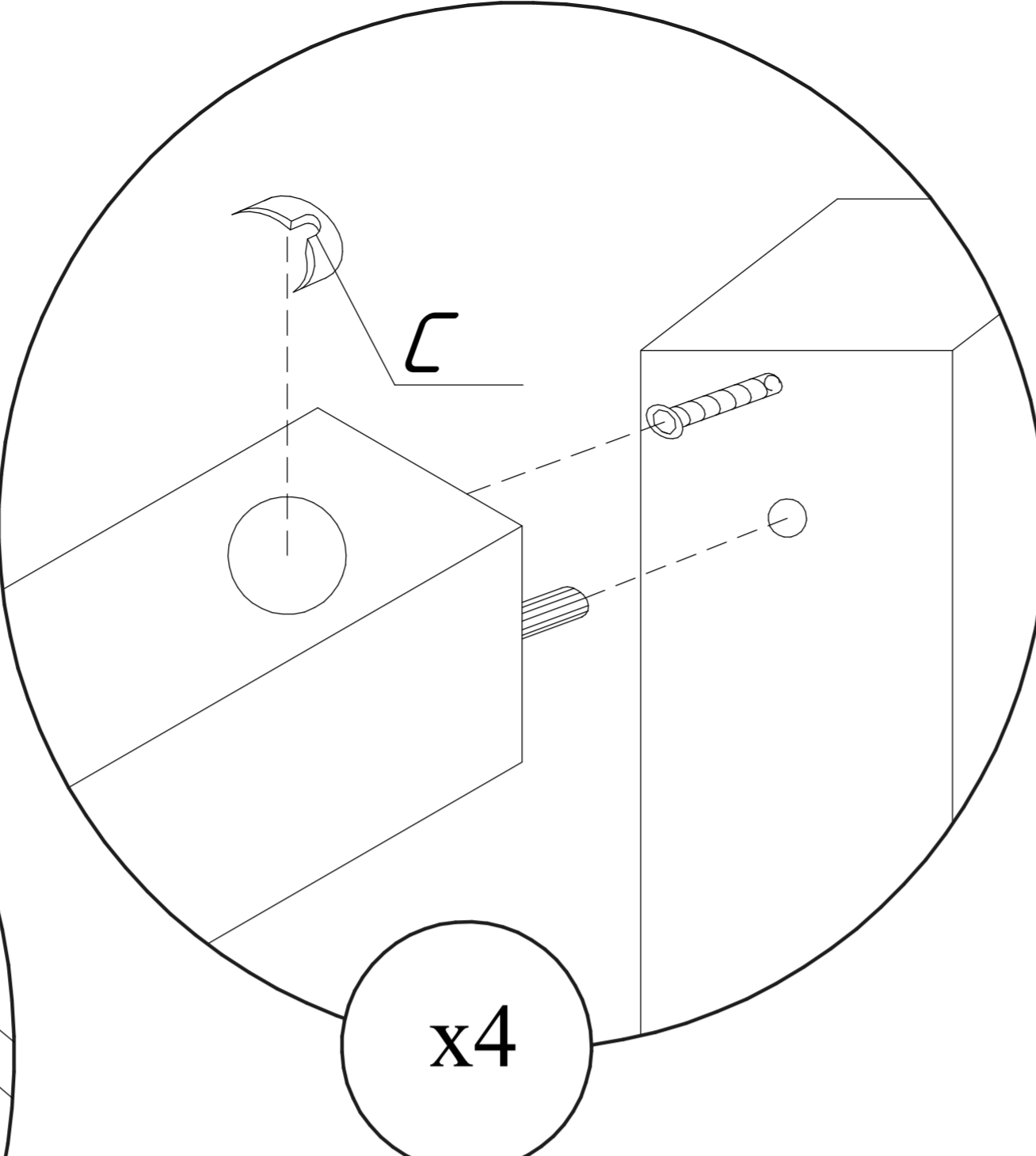
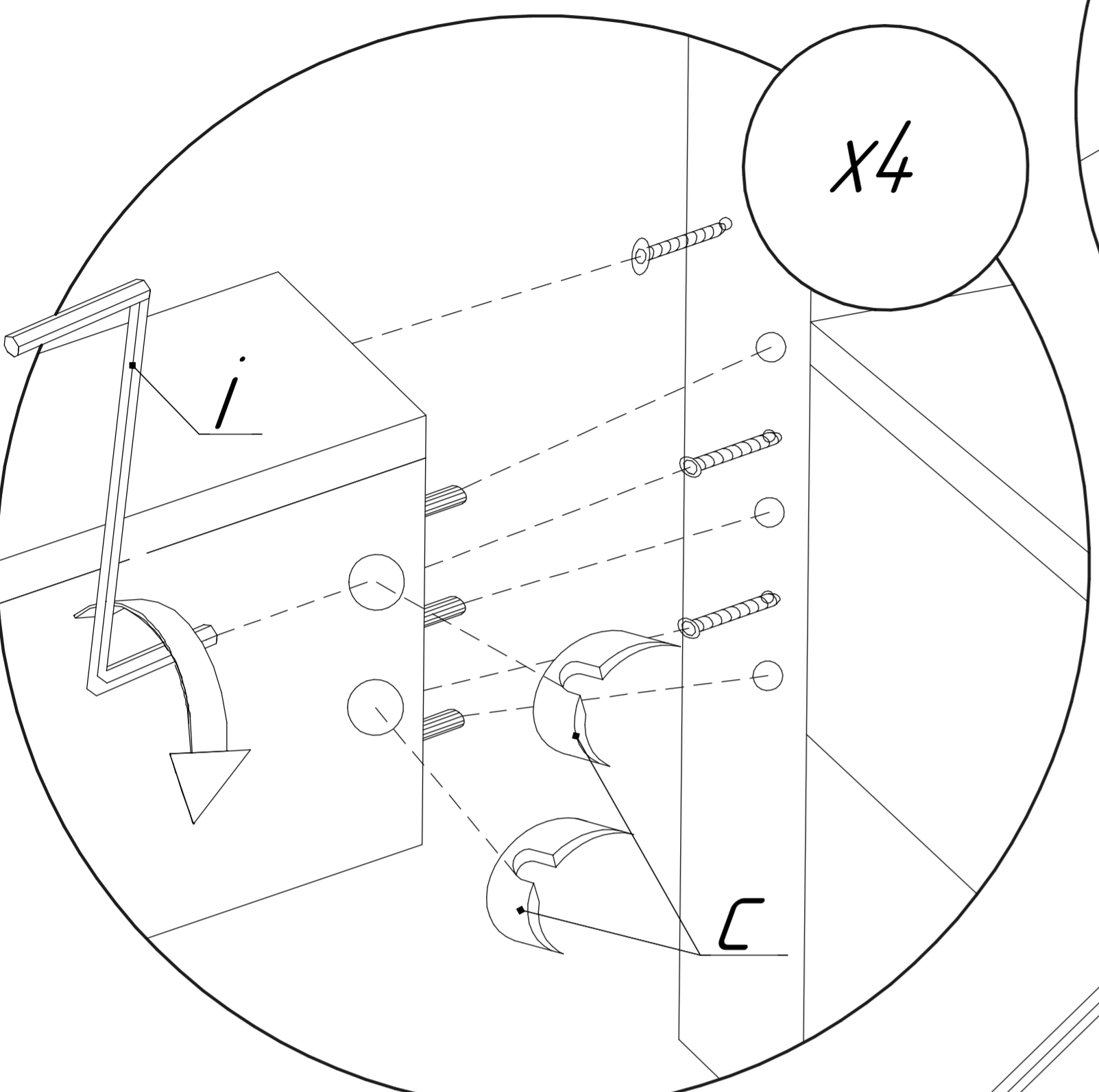


3/9

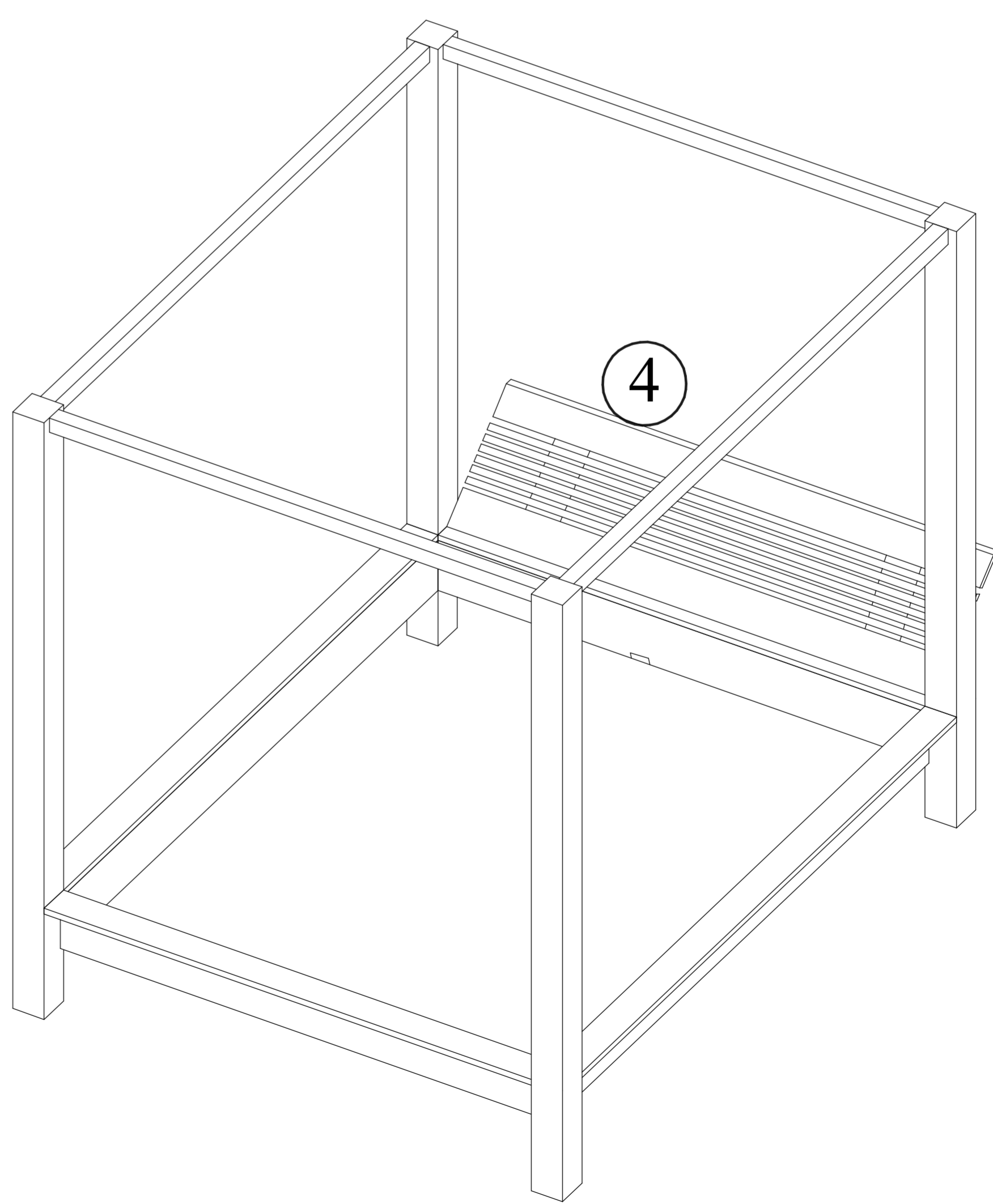


4/9





<i>c</i>	
x16	
ø35	



<i>a</i>	
x6	
	ø7x50
<i>e</i>	
x9	
	ø4x40

