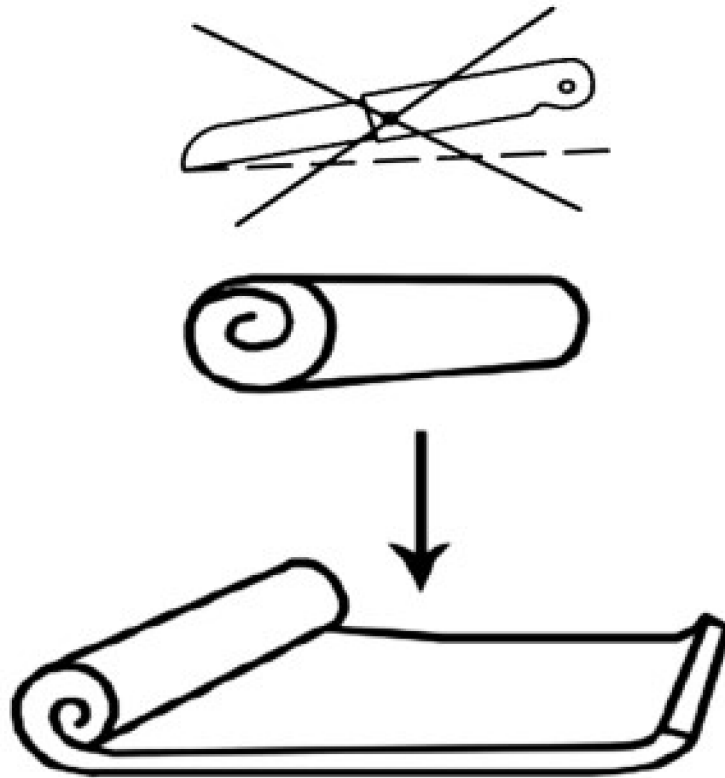
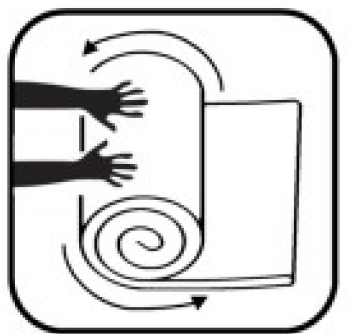
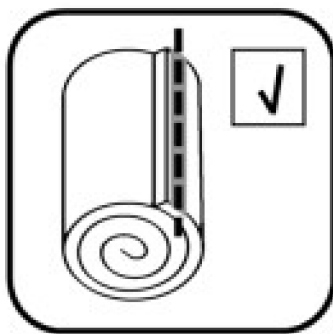
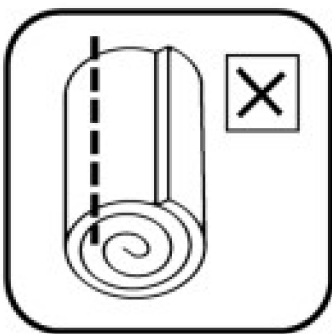
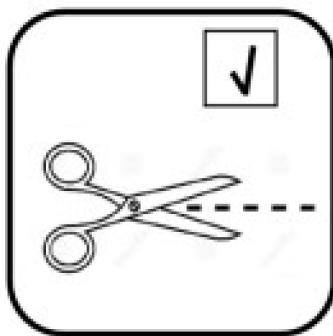
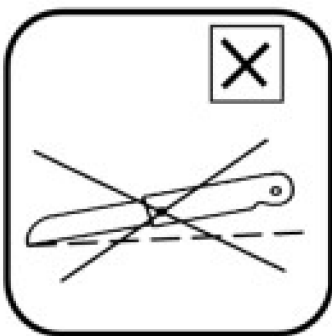


**TARO**



**✓ 72h**





1



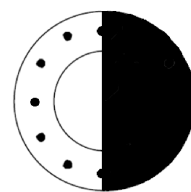
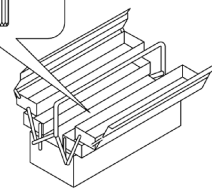
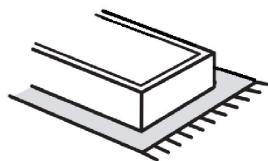
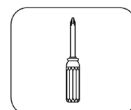
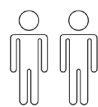
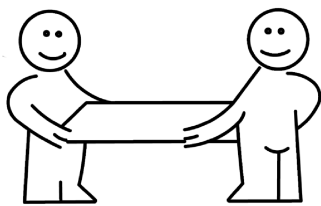
2



3

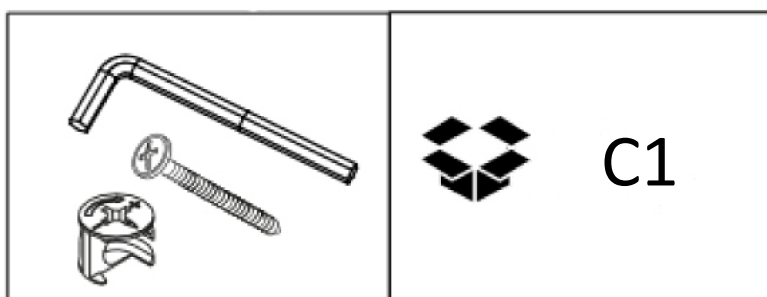


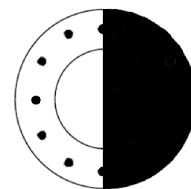
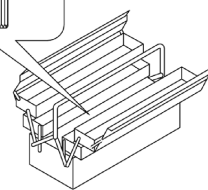
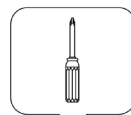
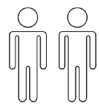
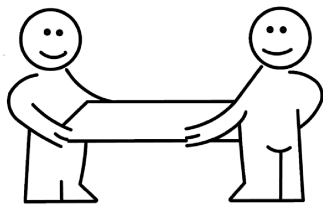
4



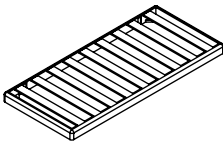
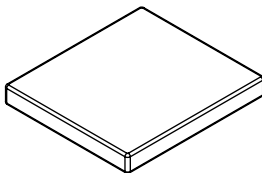
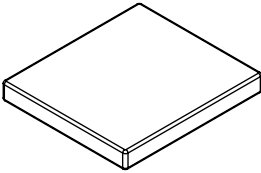
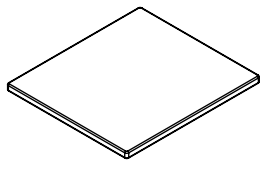
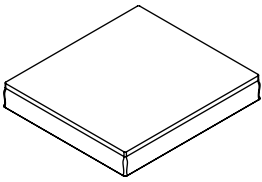
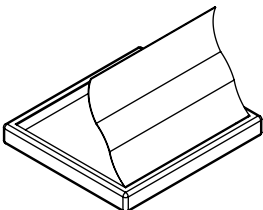
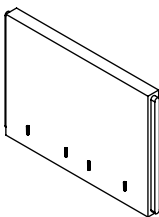
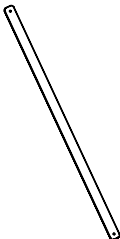
90 min

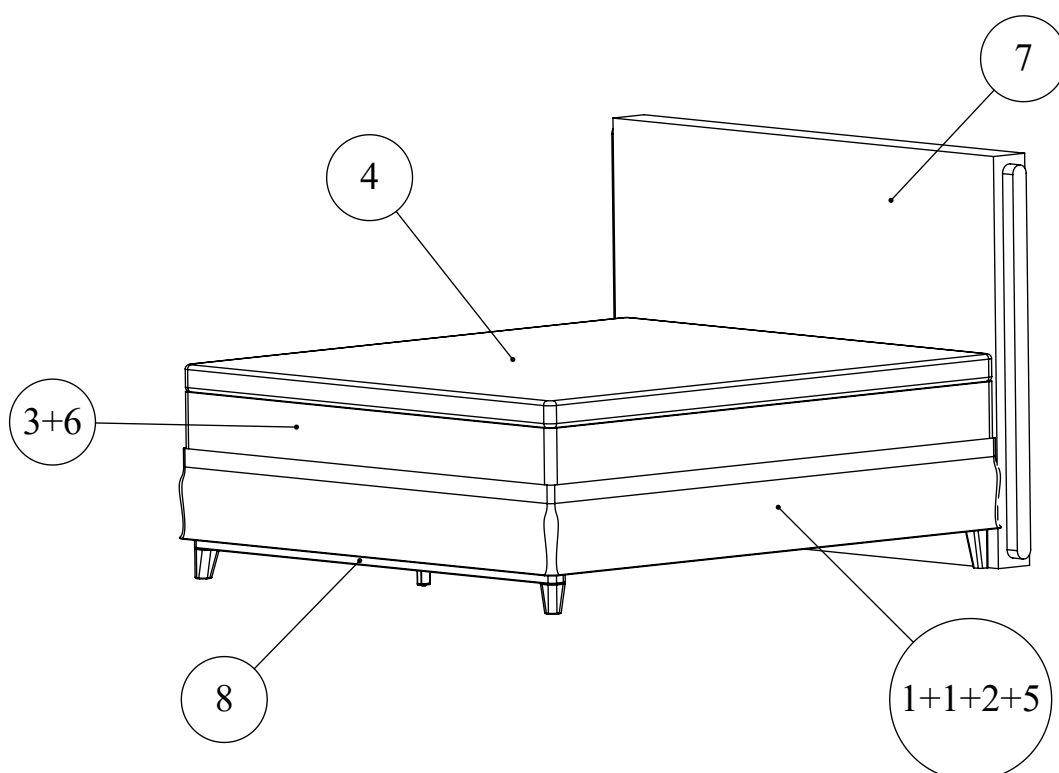
<p>A x 2</p>	<p>B x 4</p>	<p>C x 2</p>	<p>D x 4</p>	<p>E x 4</p>	<p>F x 2</p>
<p>G x 2</p>	<p>H x 6</p>				





90 min

				
① x 2 (C1)	② x 1 (C2)	③ x 1 (C3)	④ x 1 (C3)	⑤ x 1 (C2)
				
⑥ x 1 (C3)	⑦ x 1 (C4)	⑧ x 1 (C4)		

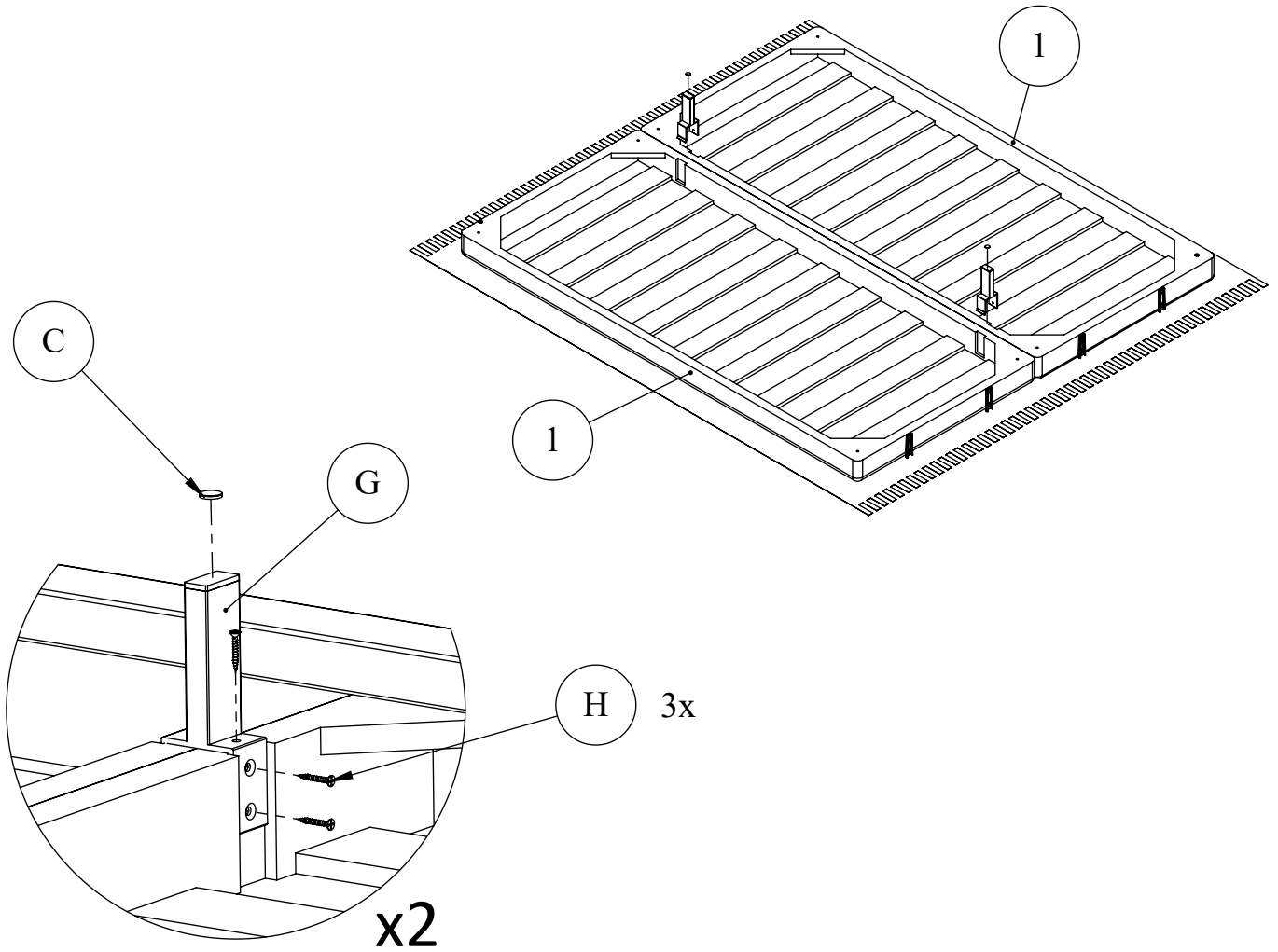
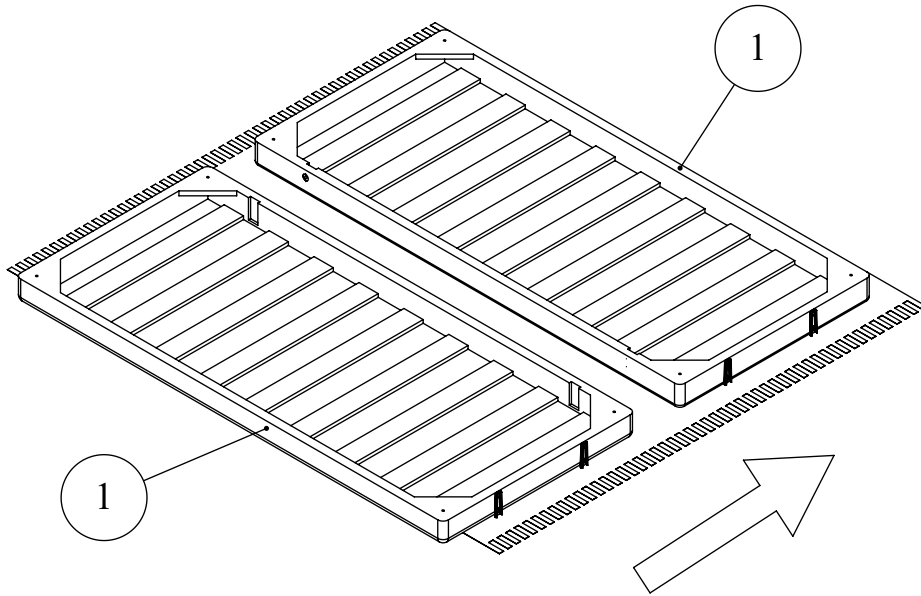


Ø 16  
C x 2

G x 2

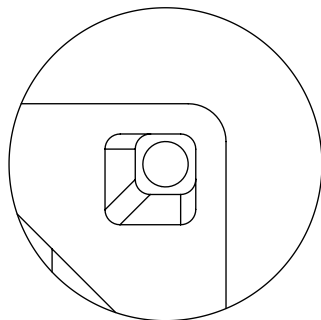
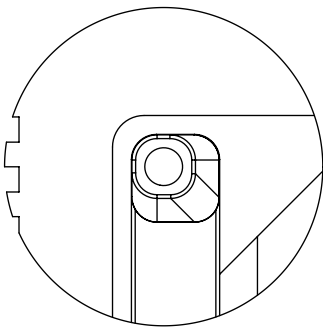
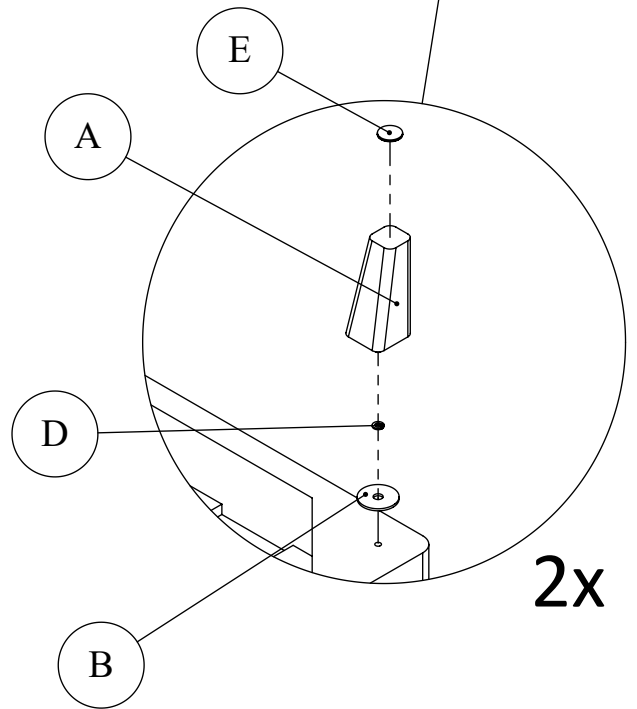
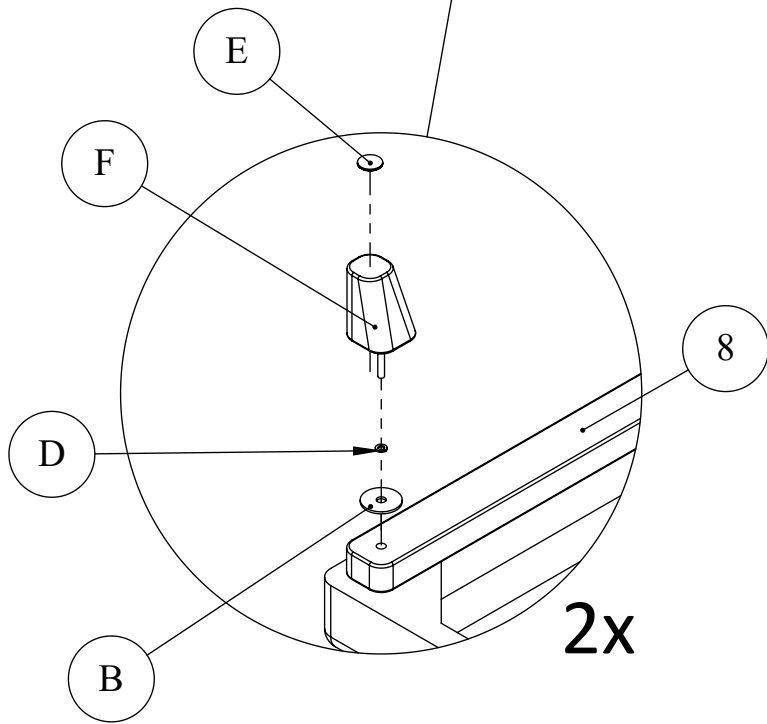
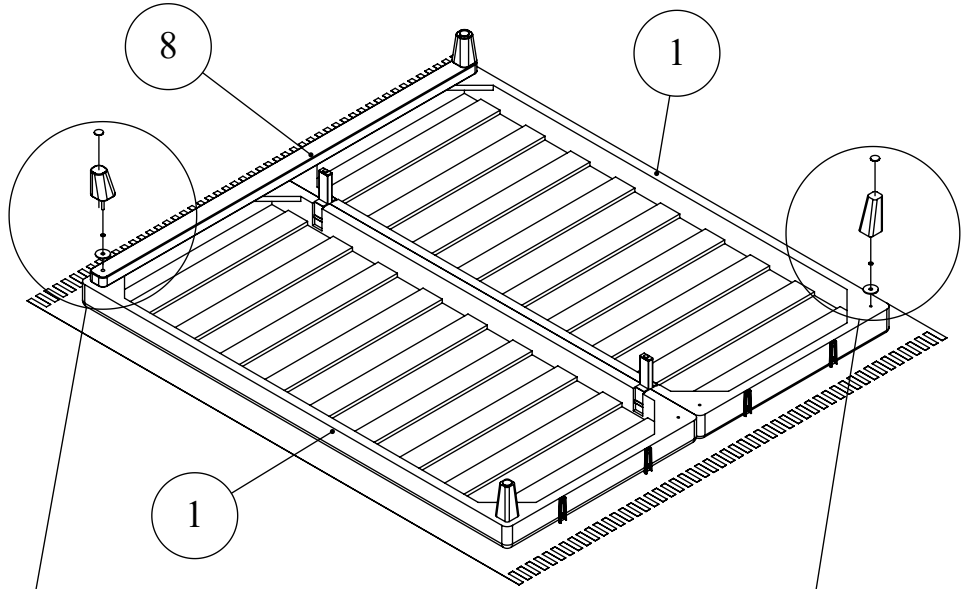
3.5x30  
H x 6

**1**

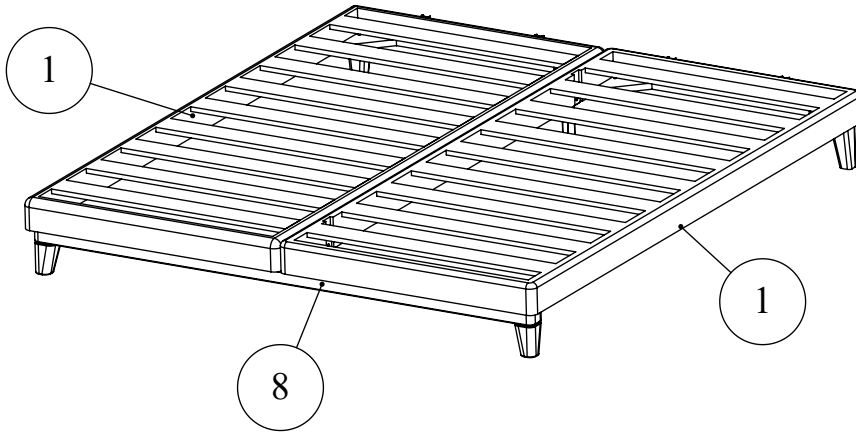
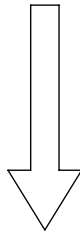
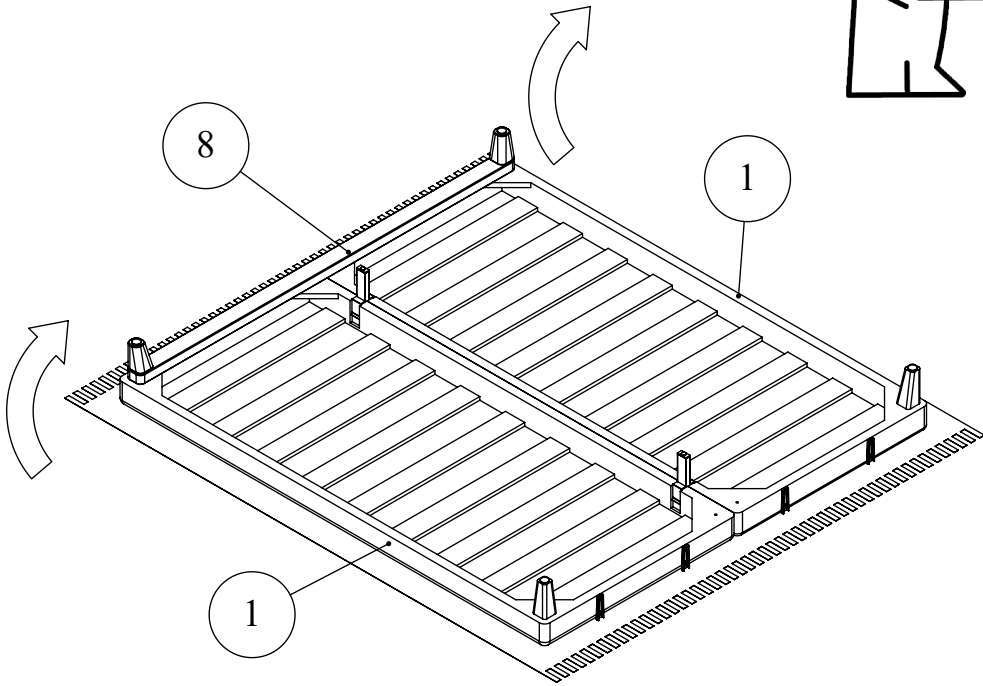
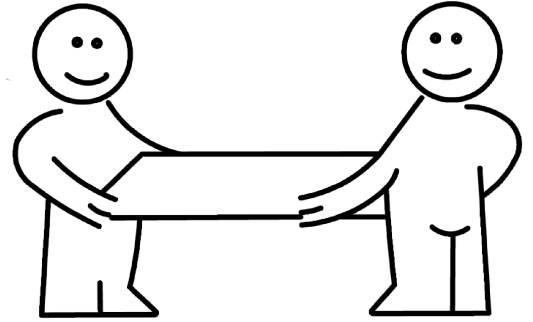




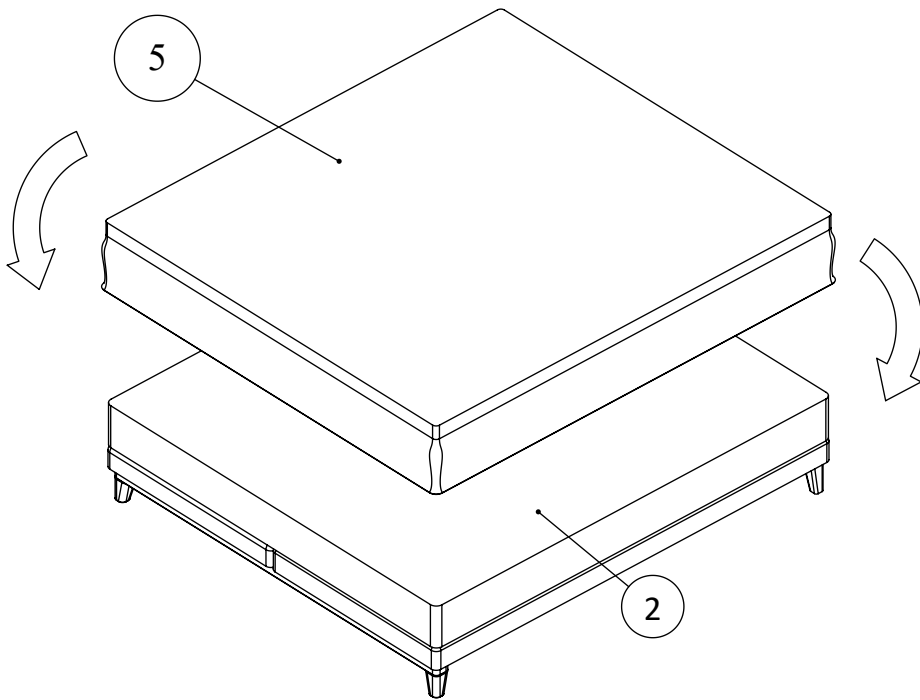
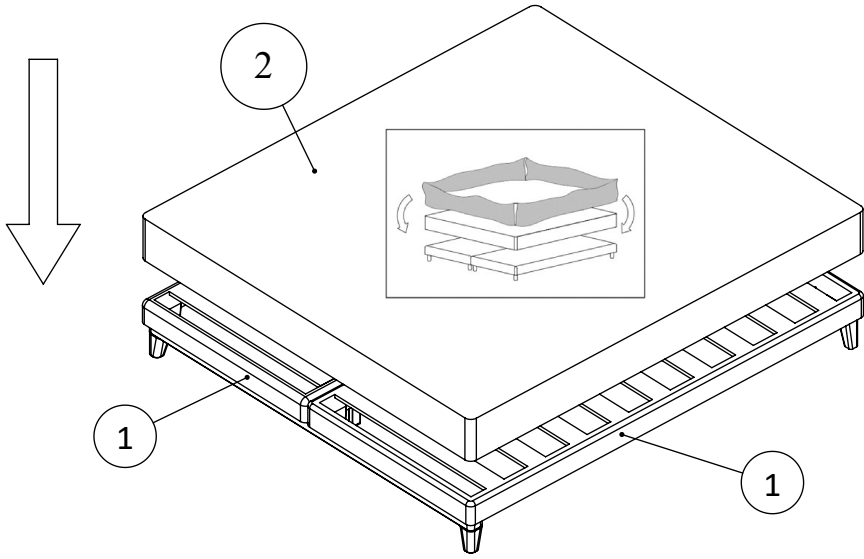
**2**



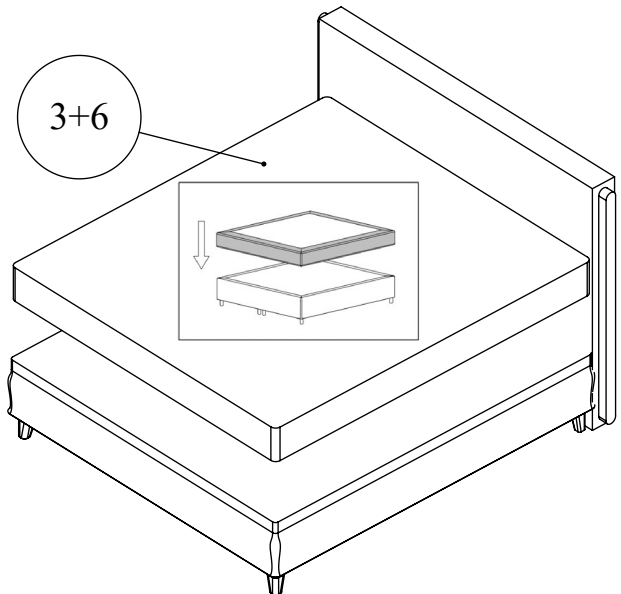
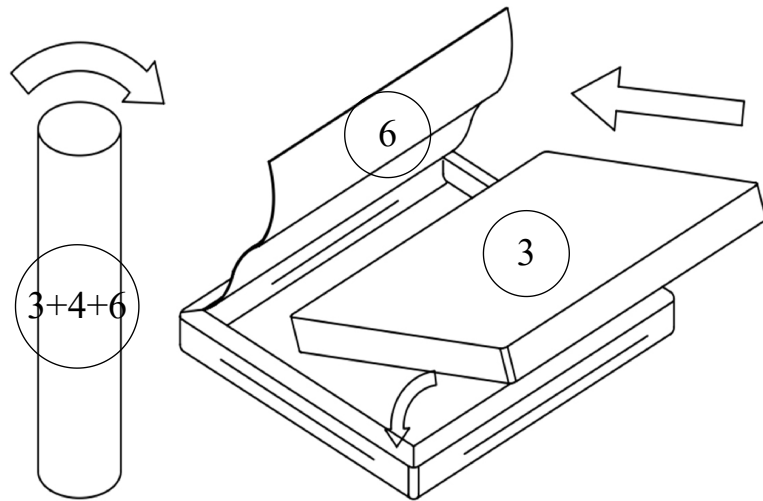
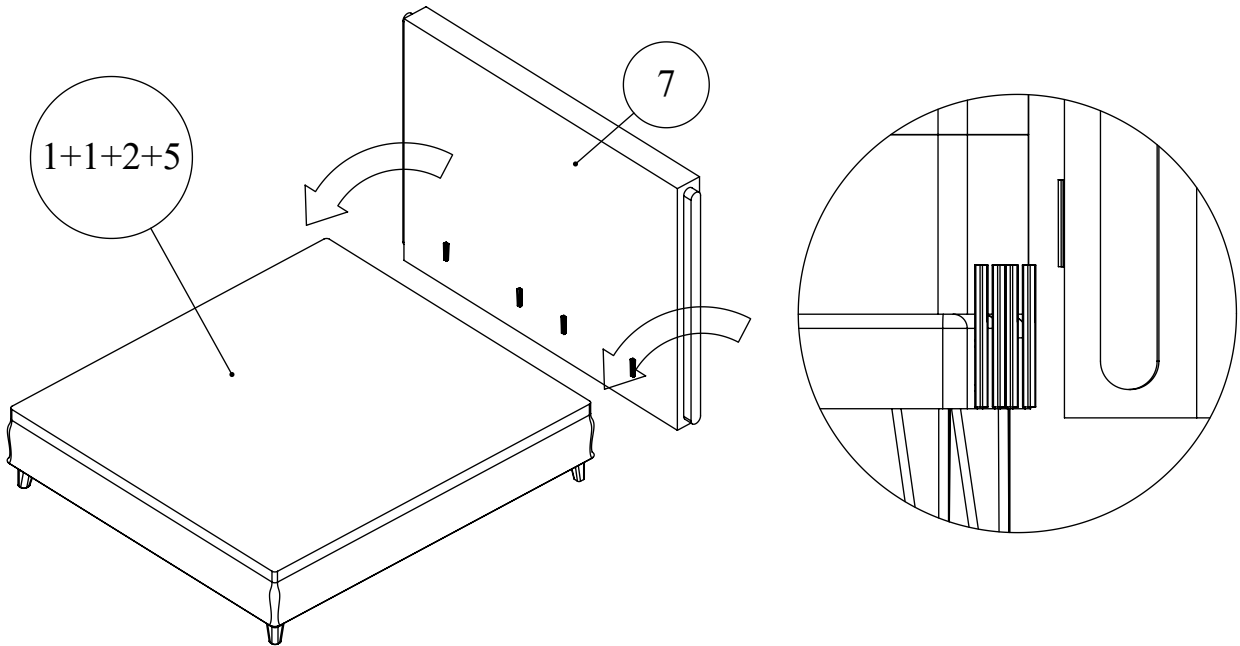
3



4



5



6

