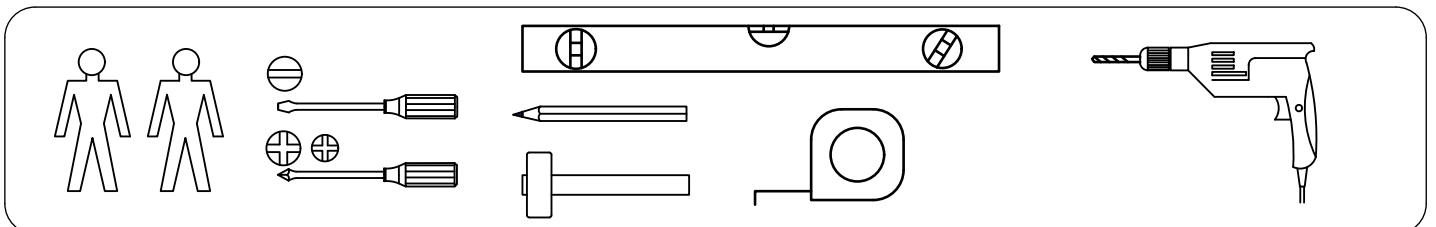
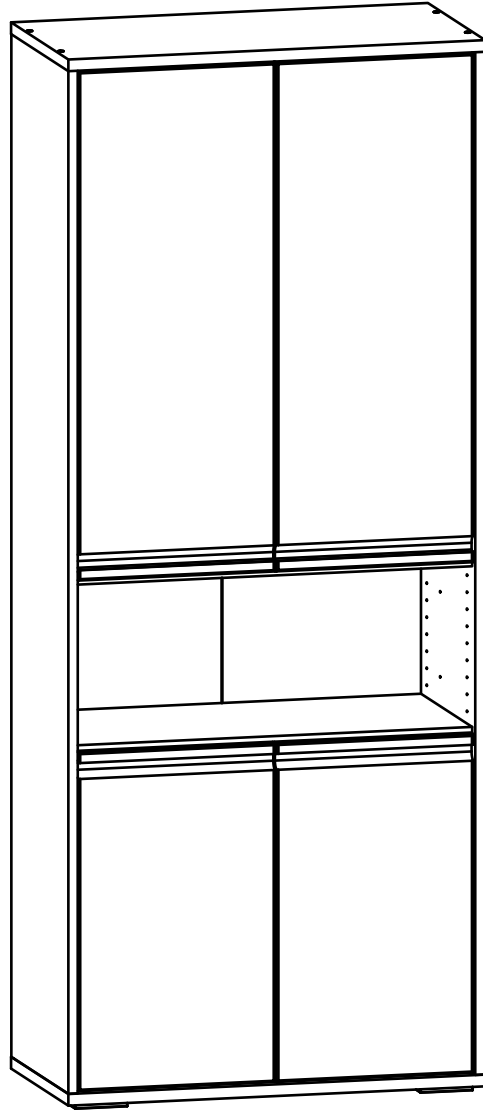
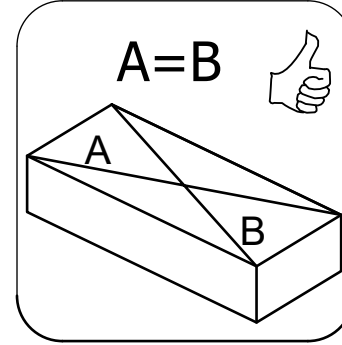
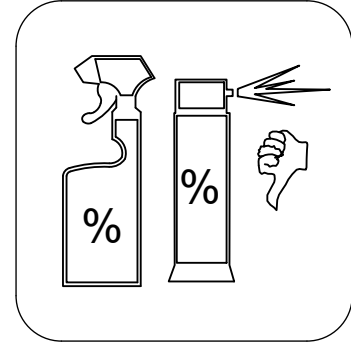
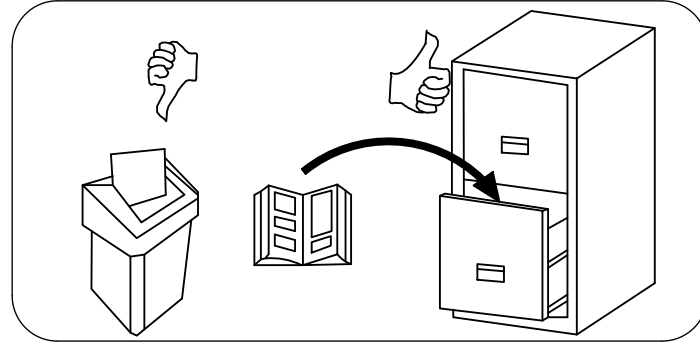
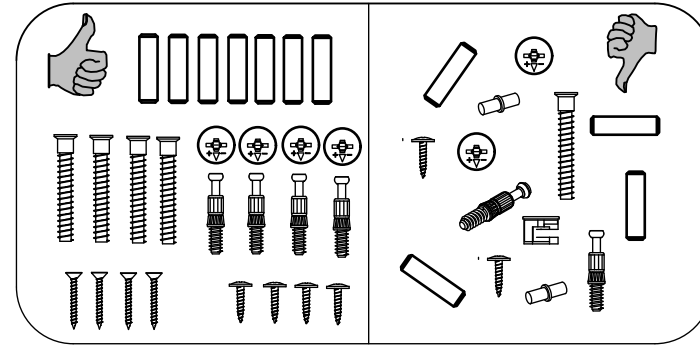
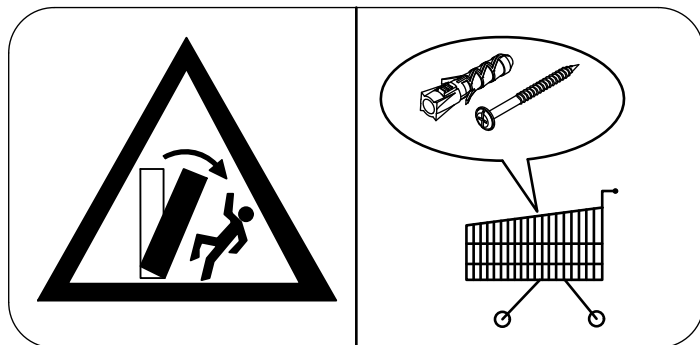
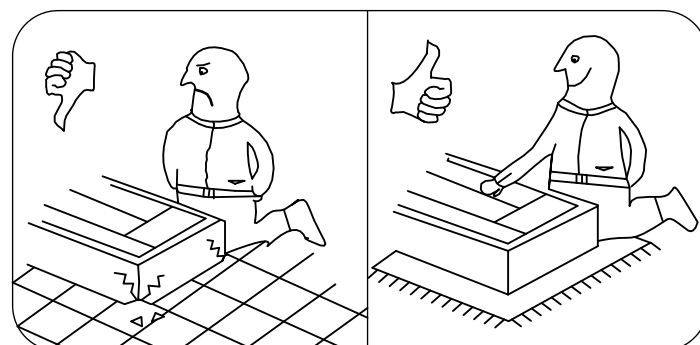
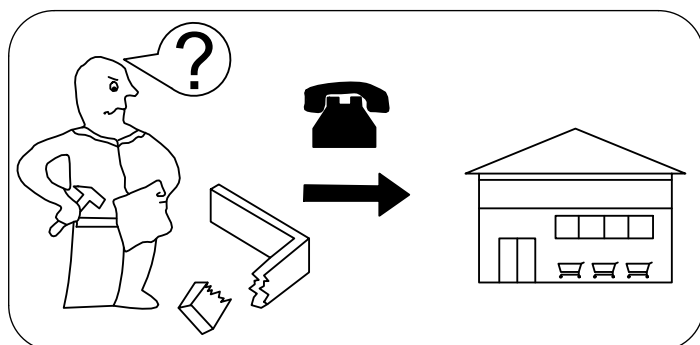
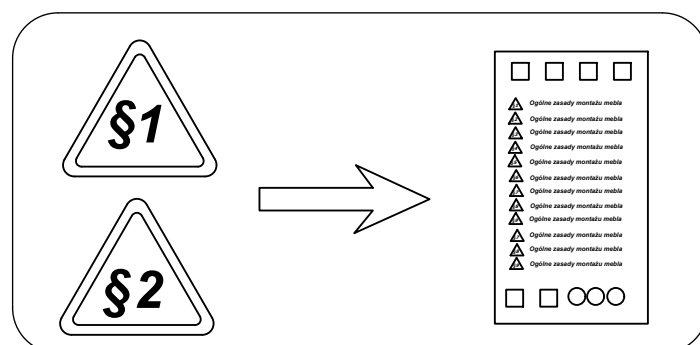
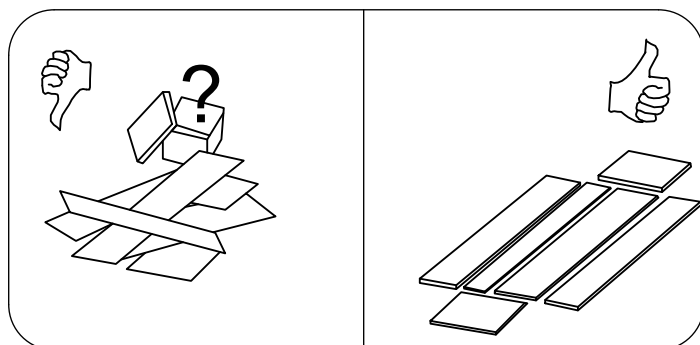
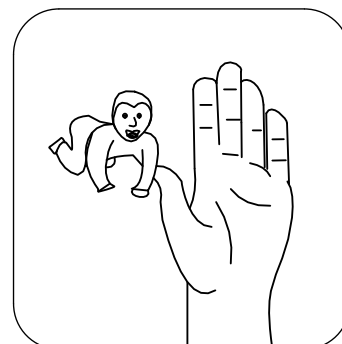
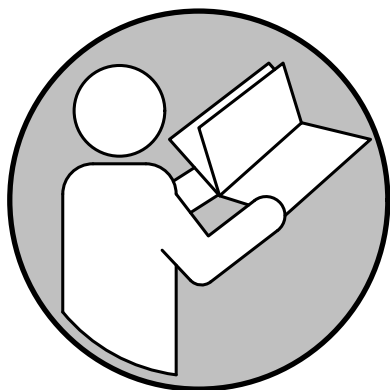
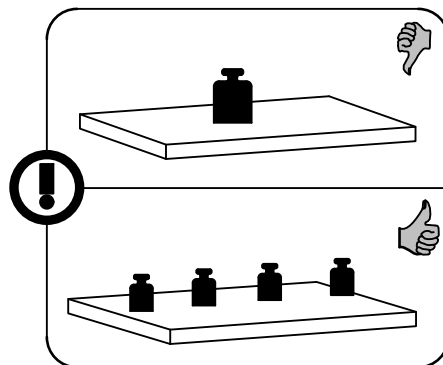
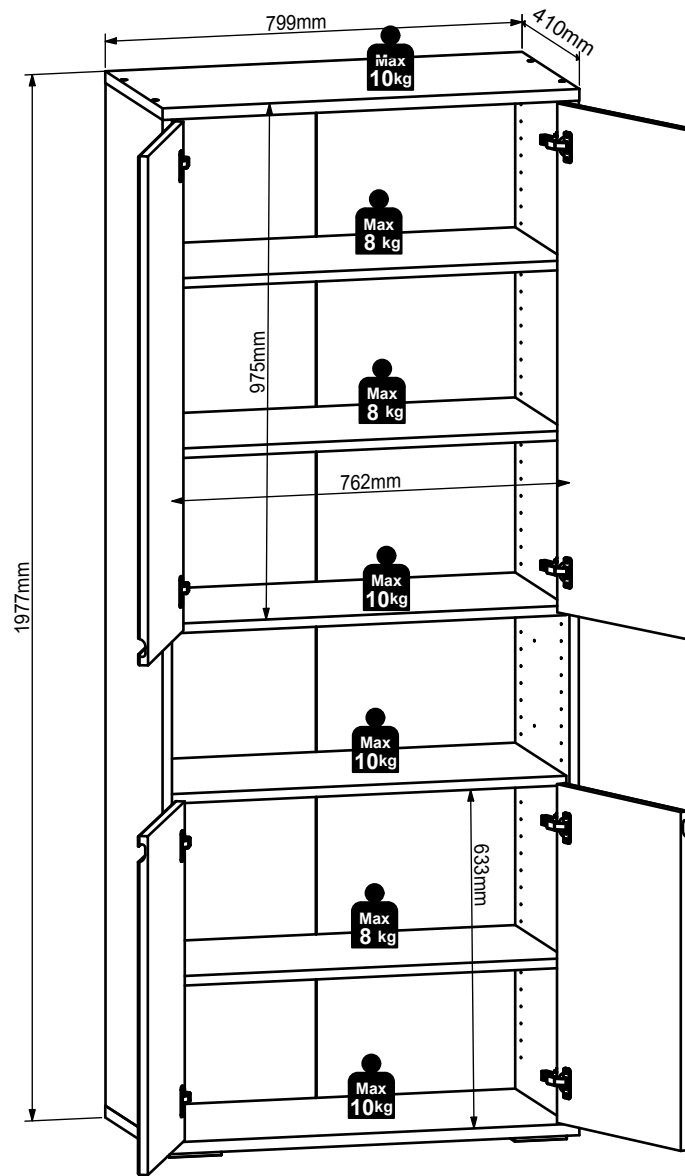


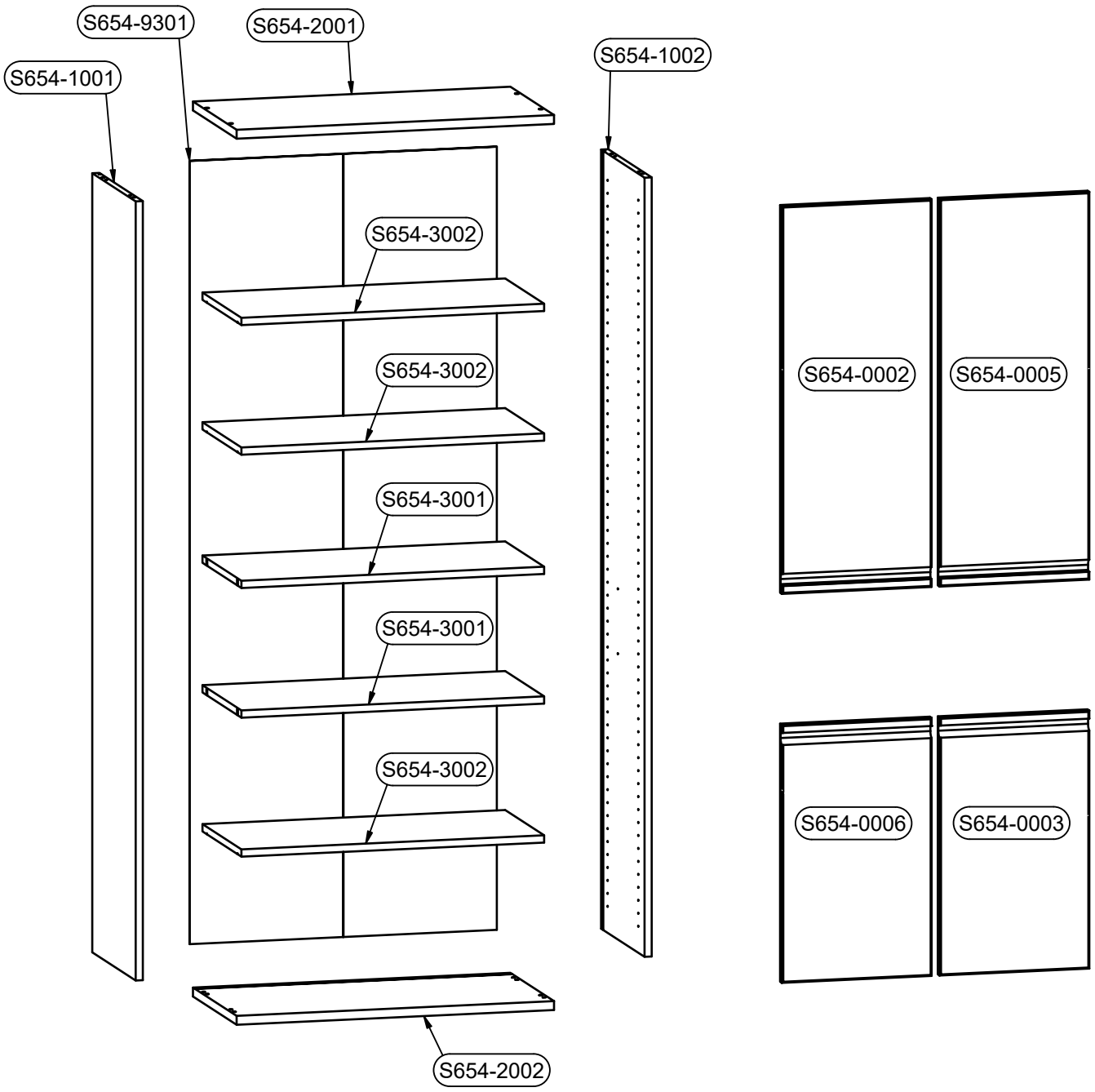
24270316/03



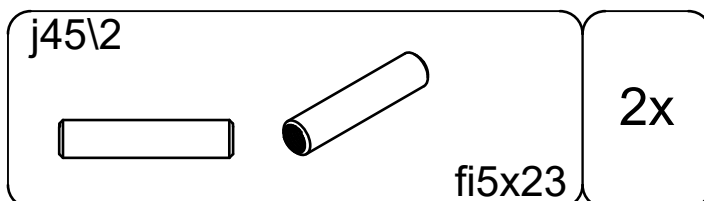
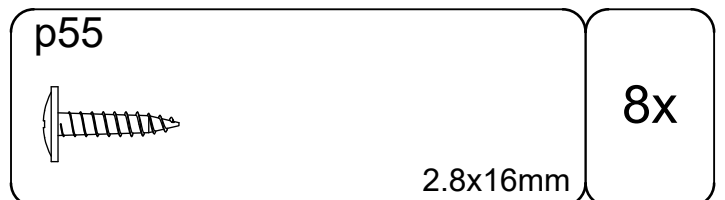
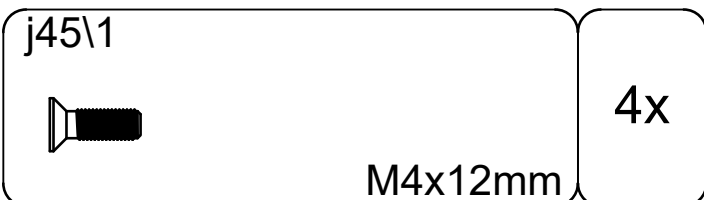
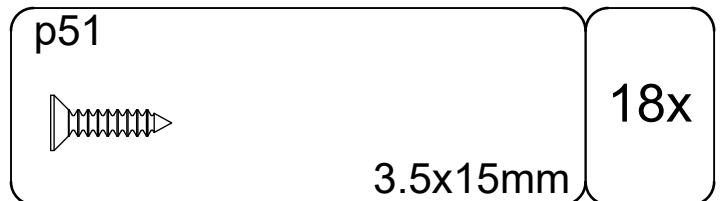
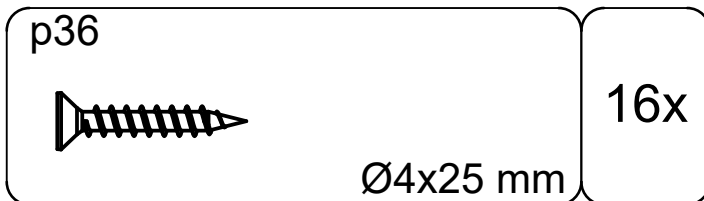
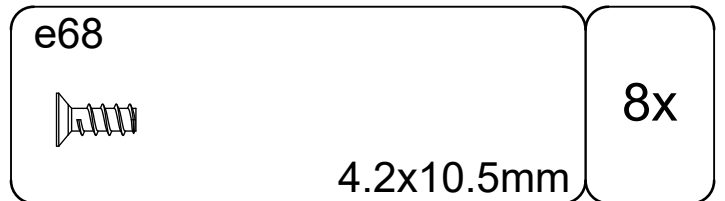
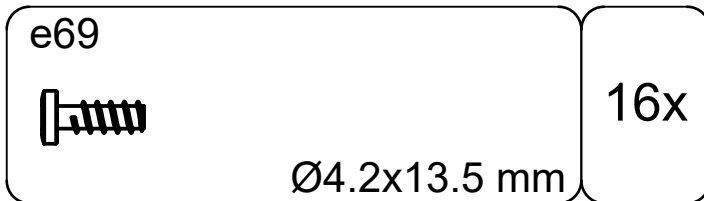
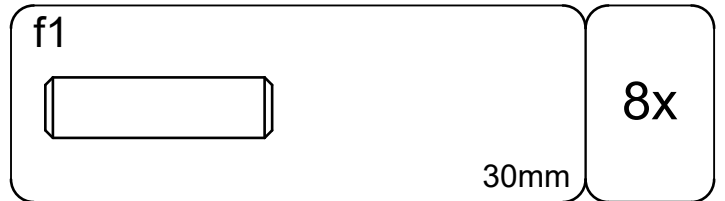
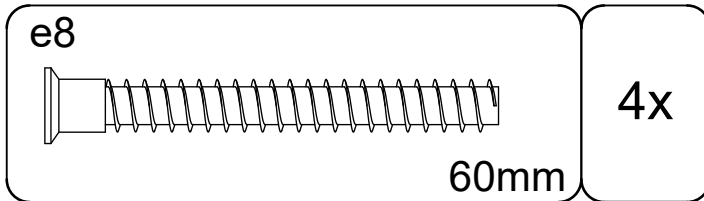
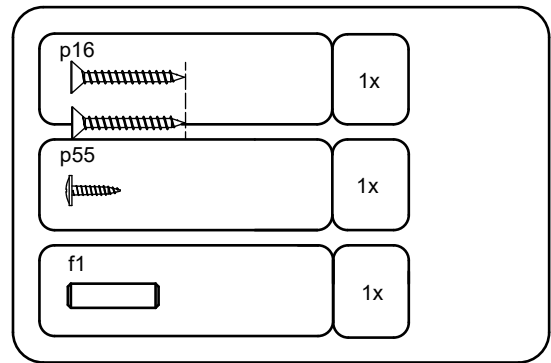
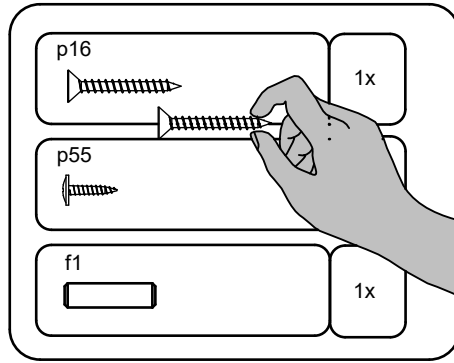




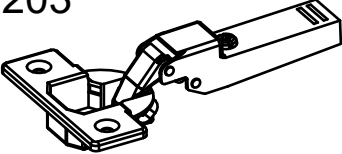
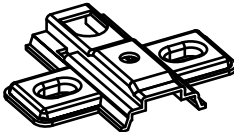

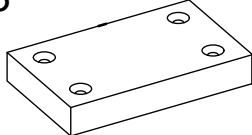
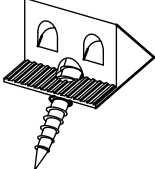
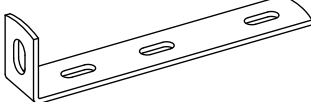
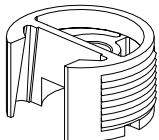
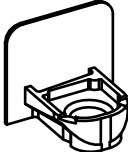
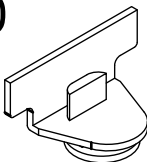
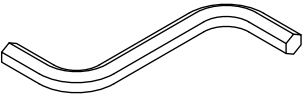
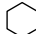
B1	B2	C1	C2	C3	C4	D
S654-0002	-	957	377	19	1	1/3
S654-0003	-	637	377	19	1	1/3
S654-0005	-	957	377	19	1	1/3
S654-0006	-	637	377	19	1	1/3
S654-1001	-	1923	408	18	1	2/3
S654-1002	-	1923	408	18	1	2/3
S654-2001	-	799	410	22	1	3/3
S654-2002	-	799	410	22	1	3/3
S654-3001	-	762	366	18	2	2/3
S654-3002	-	762	366	18	3	3/3
S654-9301	-	1933	773	2,5	1	2/3

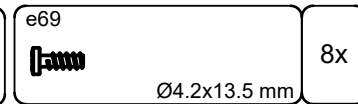
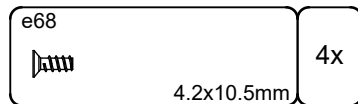


**1:1**

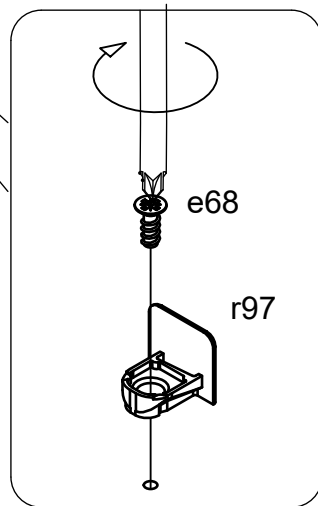
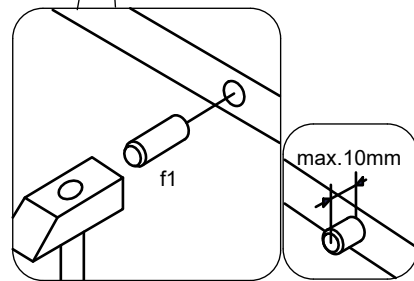
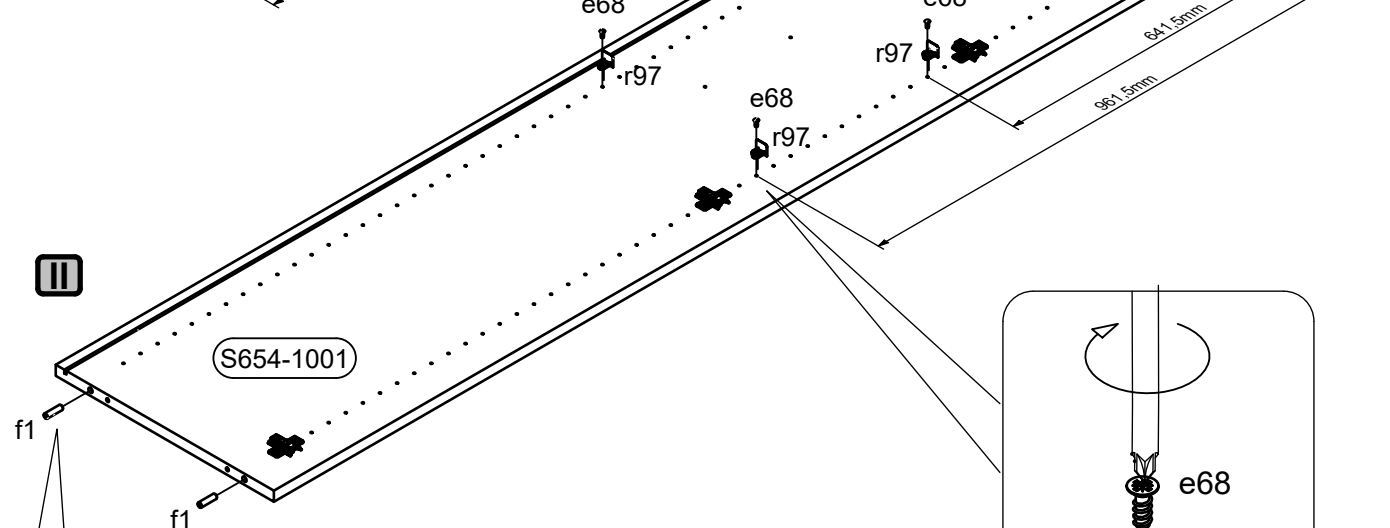
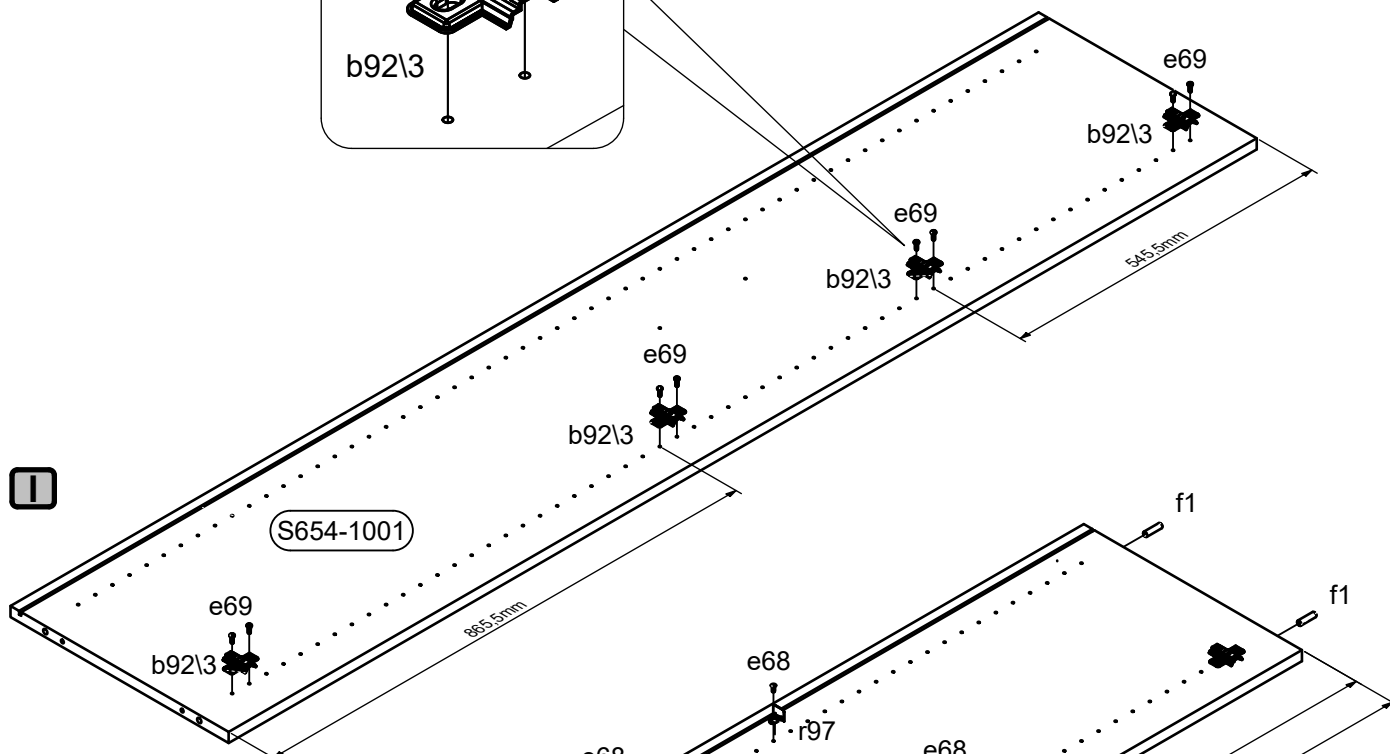
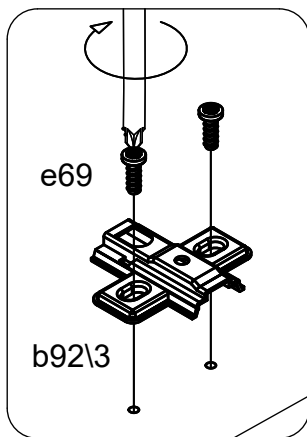


~~1:1~~

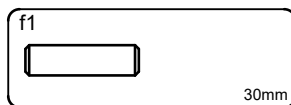
<p>a203</p> 	<p>8x</p>	<p>b92\3</p> 	<p>8x</p>
<p>d47</p> 	<p>12x</p>	<p>k178</p> 	<p>4x</p>
<p>l2</p> 	<p>14x</p>	<p>n14\2</p> 	<p>1x</p>
<p>r99</p> 	<p>8x</p>	<p>r97</p> 	<p>8x</p>
<p>r100</p> 	<p>1x</p>	<p>z1</p>  <p> 4mm</p>	<p>1x</p>



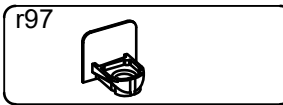
**1**



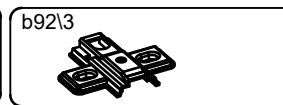
**2** 



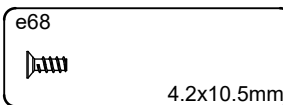
4x



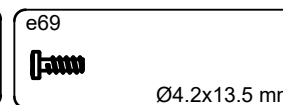
4x



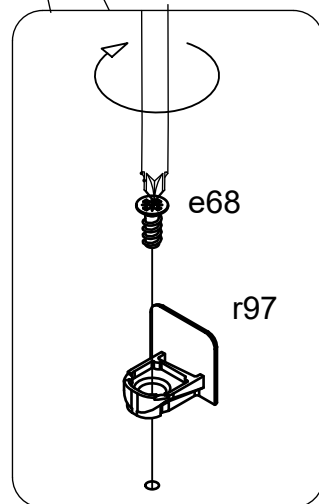
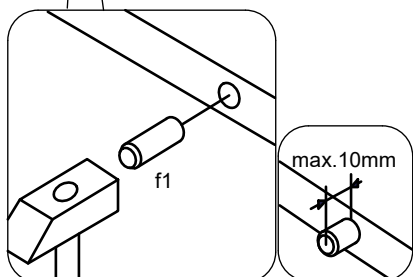
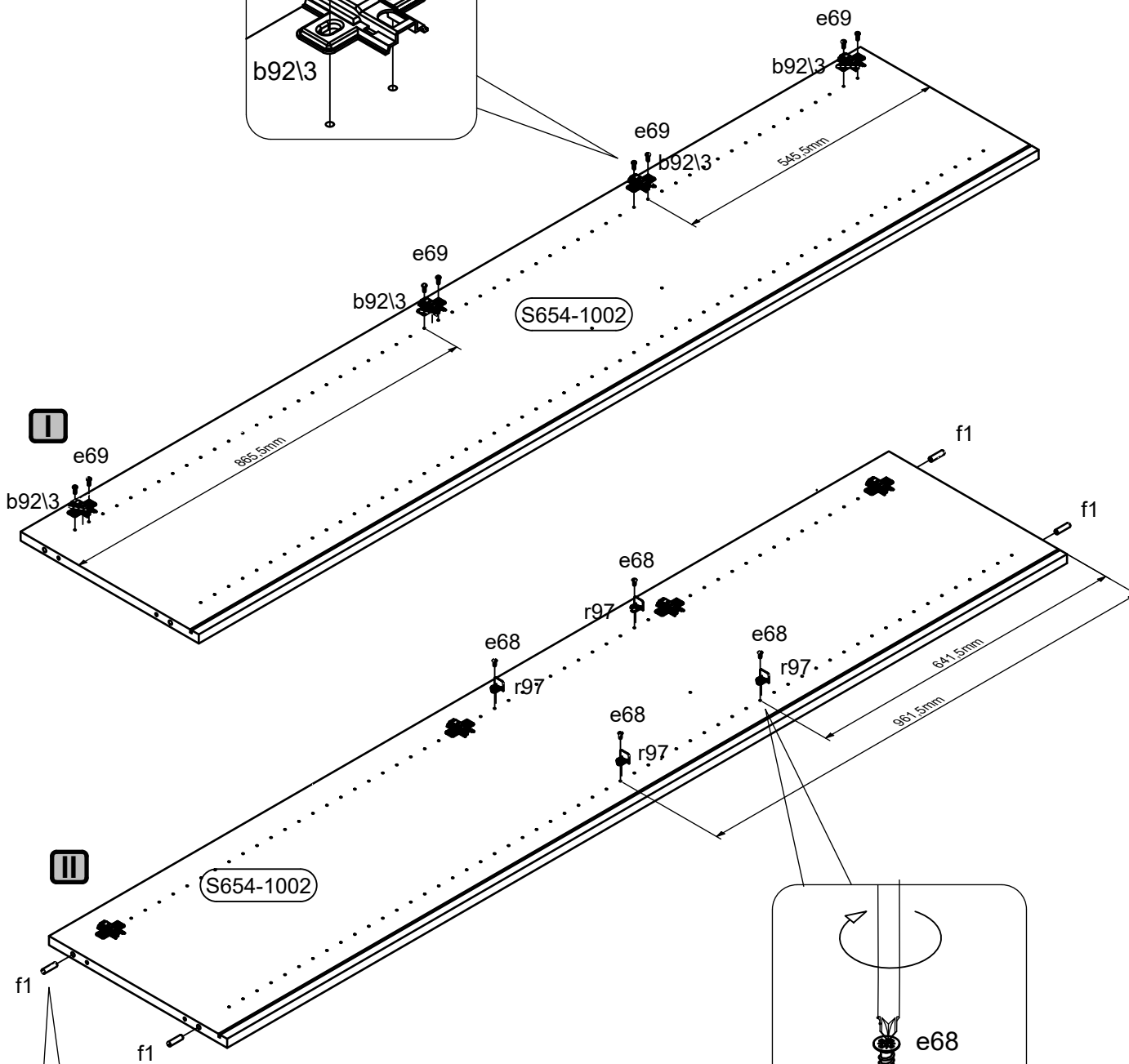
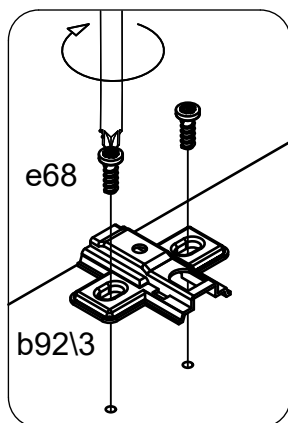
4x



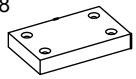
4x

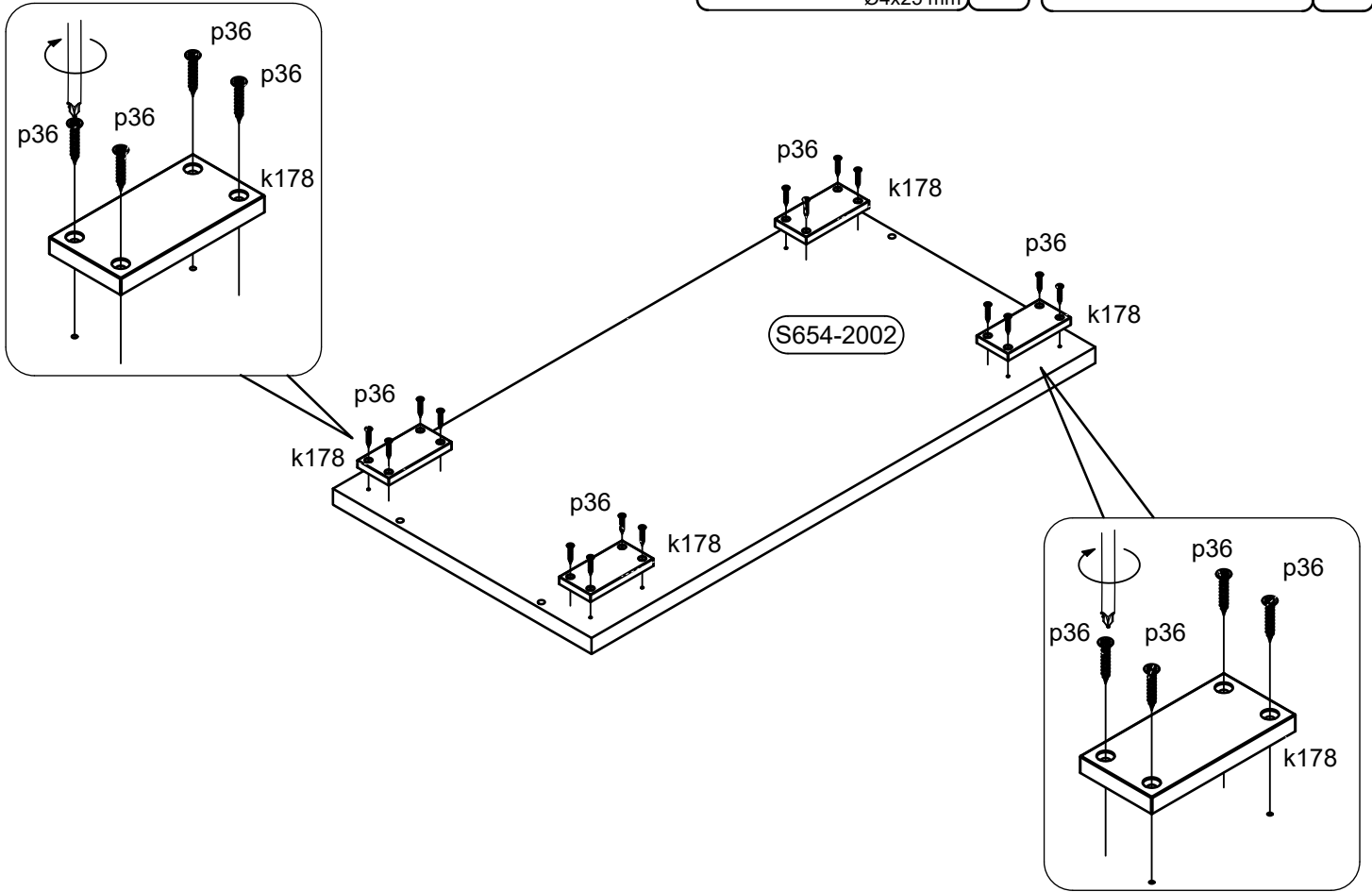


8x

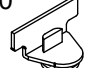
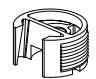


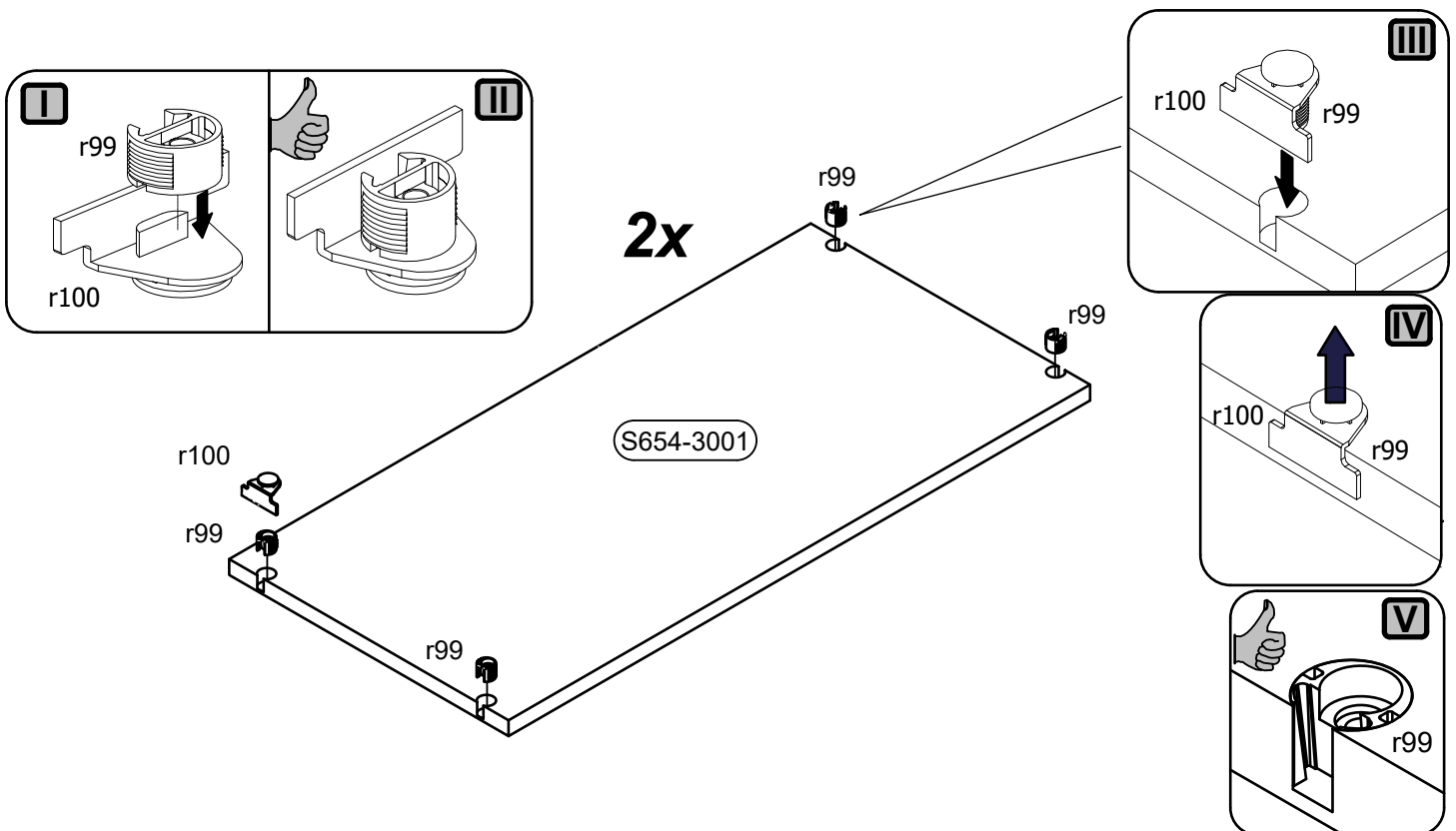
**3** §2

p36  Ø4x25 mm	16x	k178 	4x
--	-----	---	----


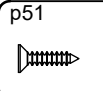


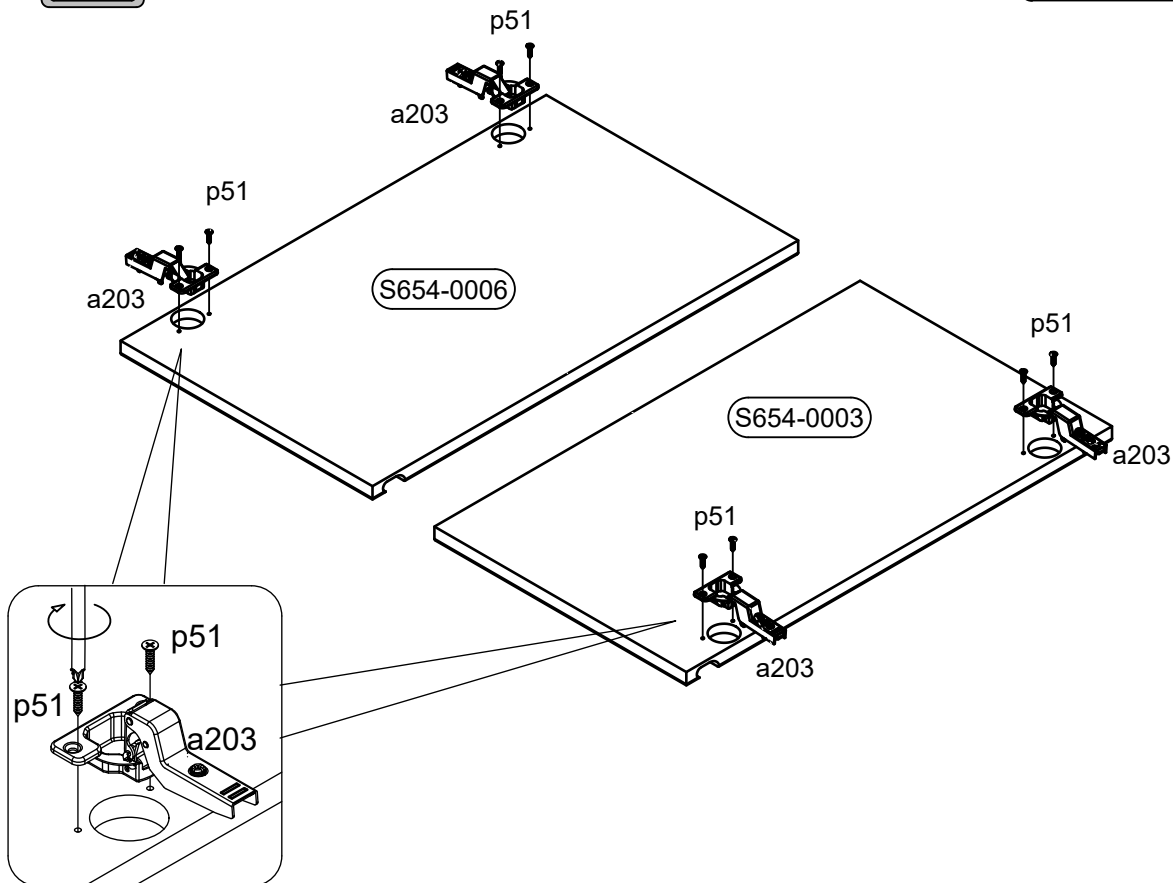
**4** §2

r100 	1x	r99 	8x
---	----	--	----


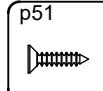


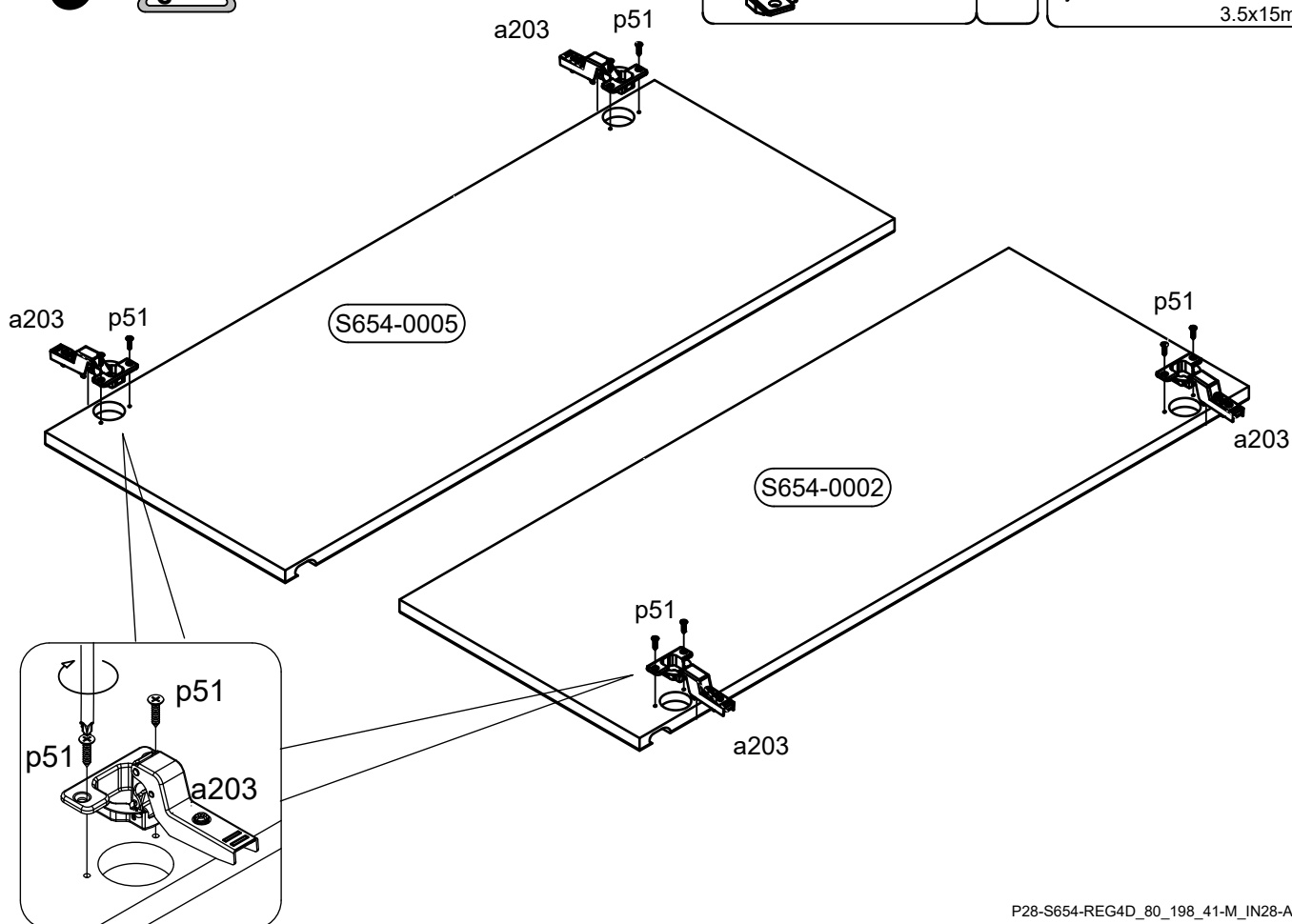
5 

	4x		8x
3.5x15mm			

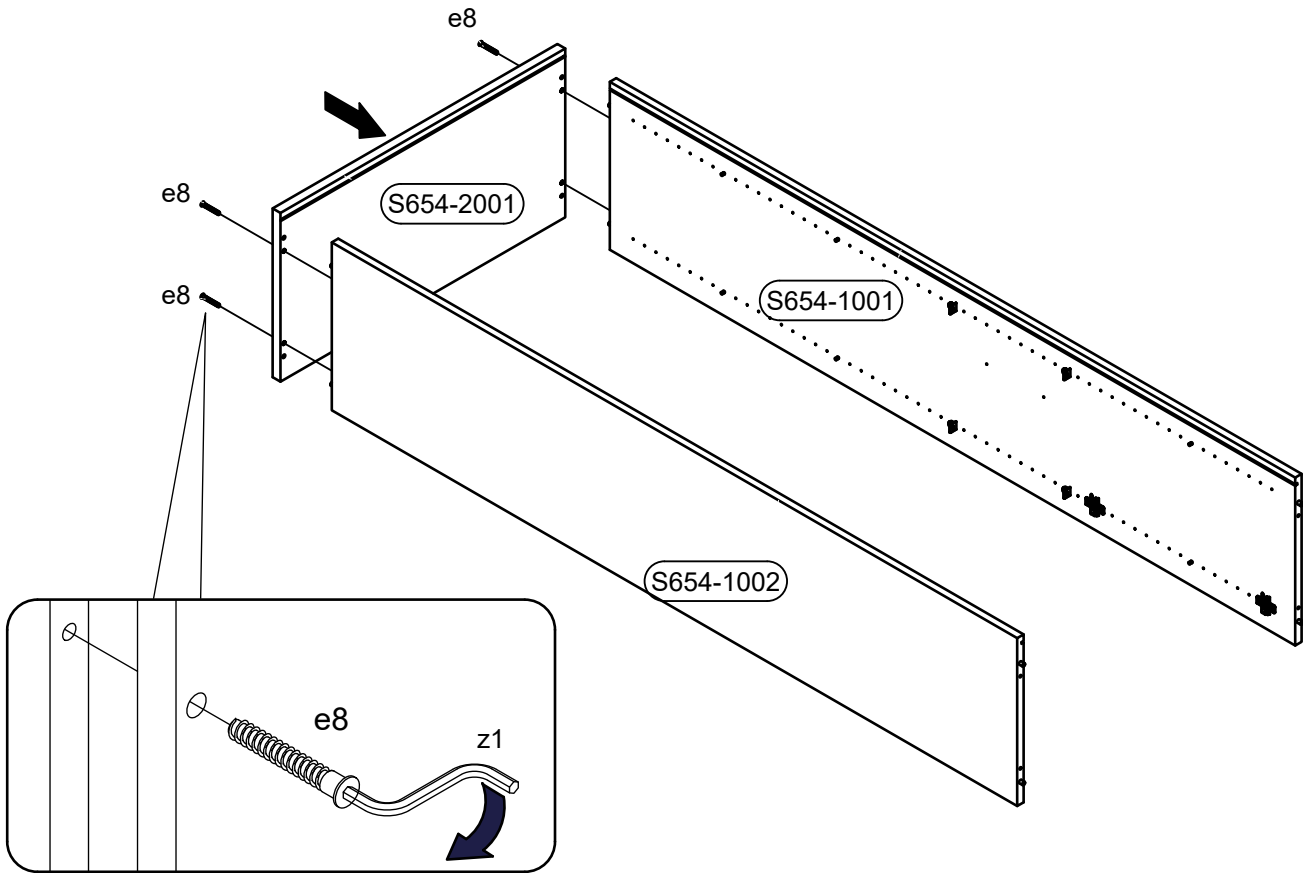
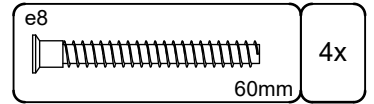


6 

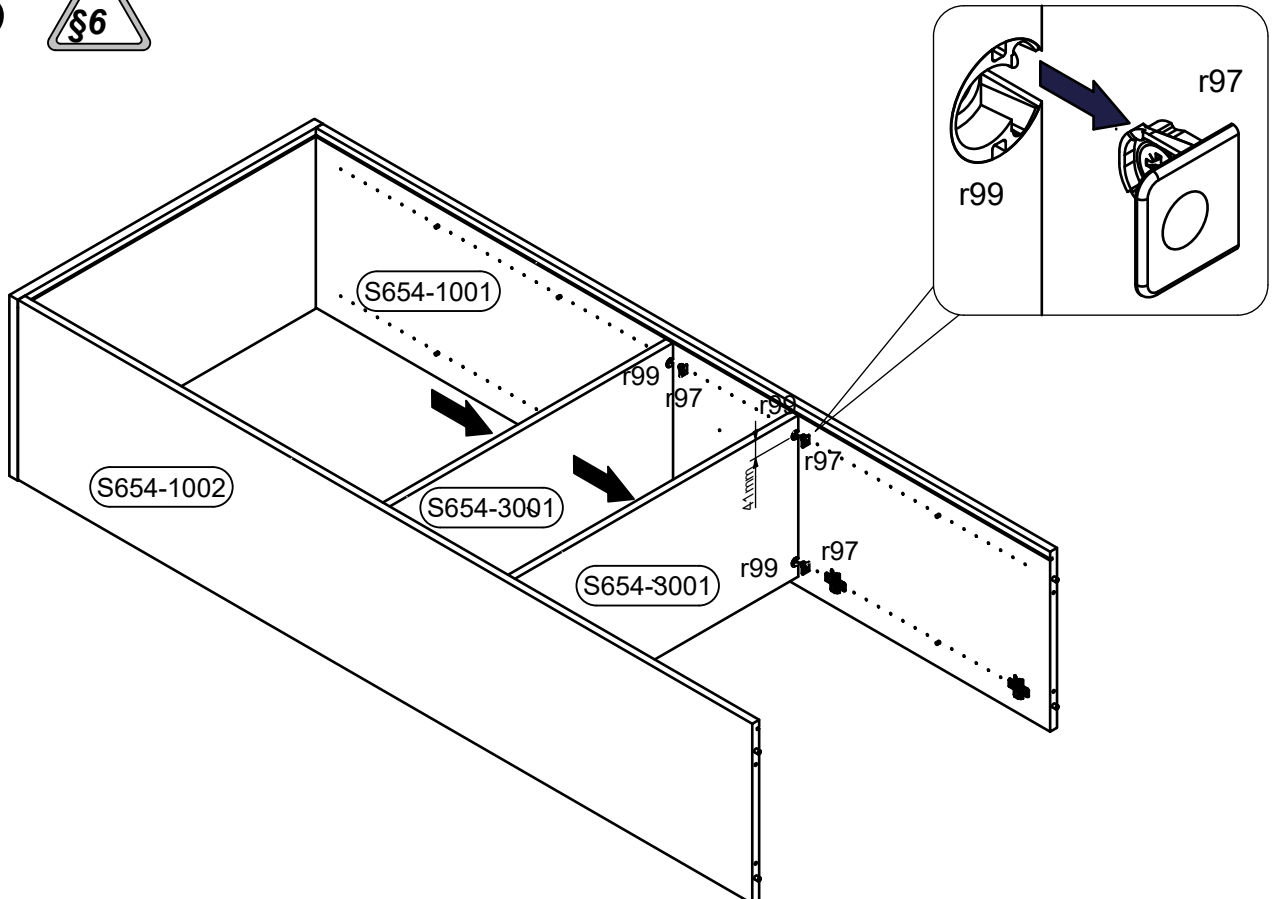
	4x		8x
3.5x15mm			



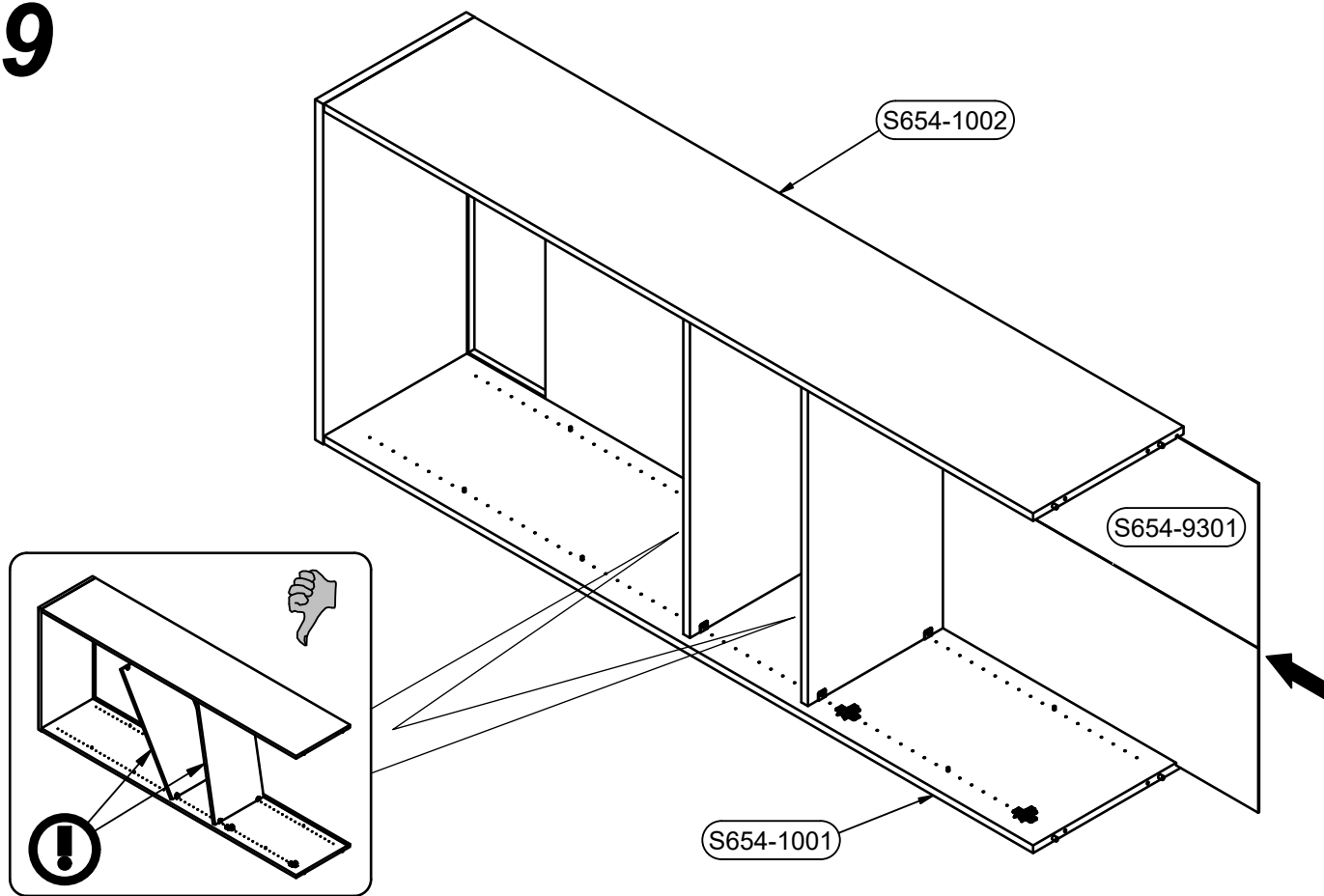
7



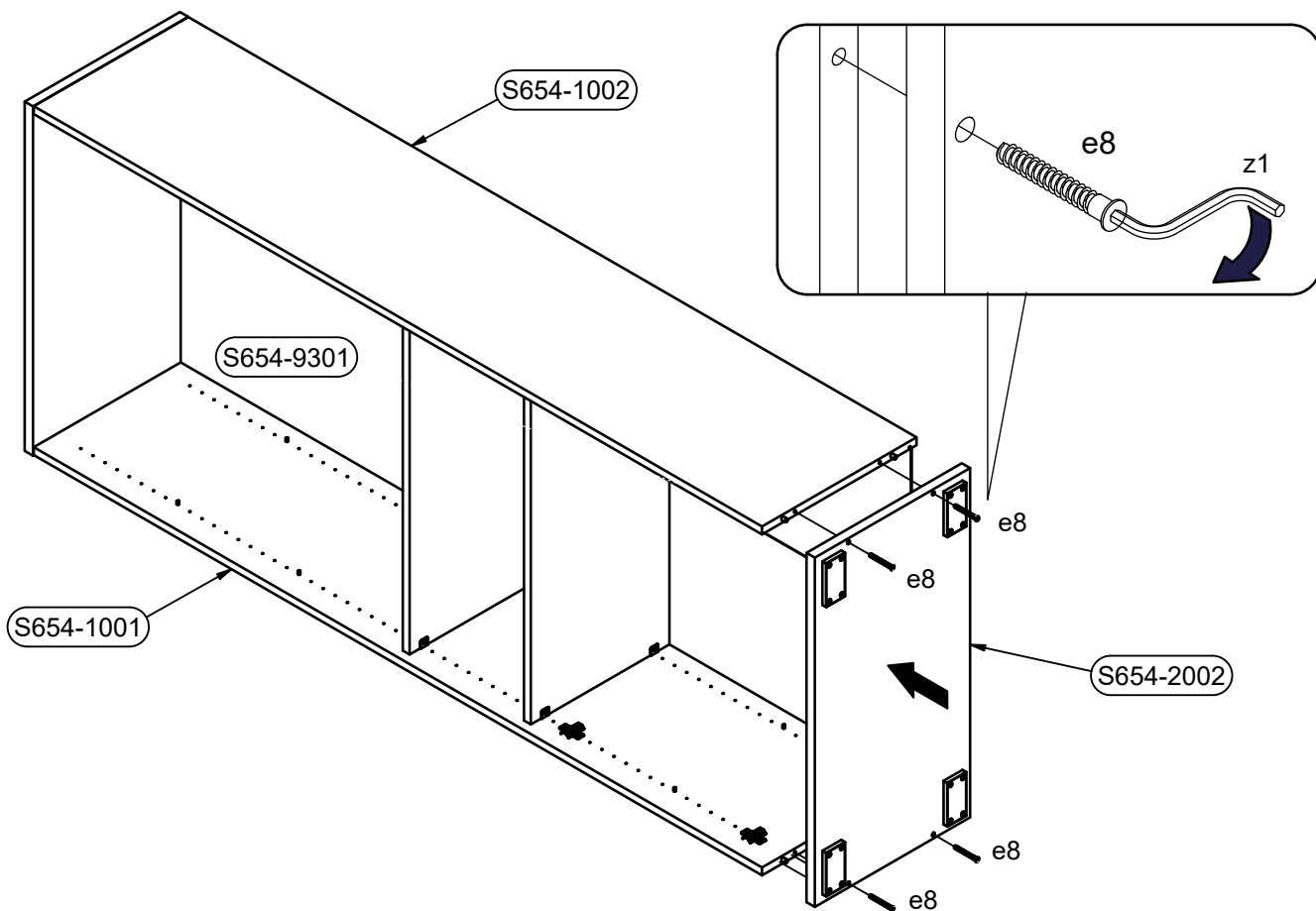
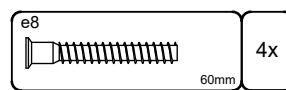
8



9

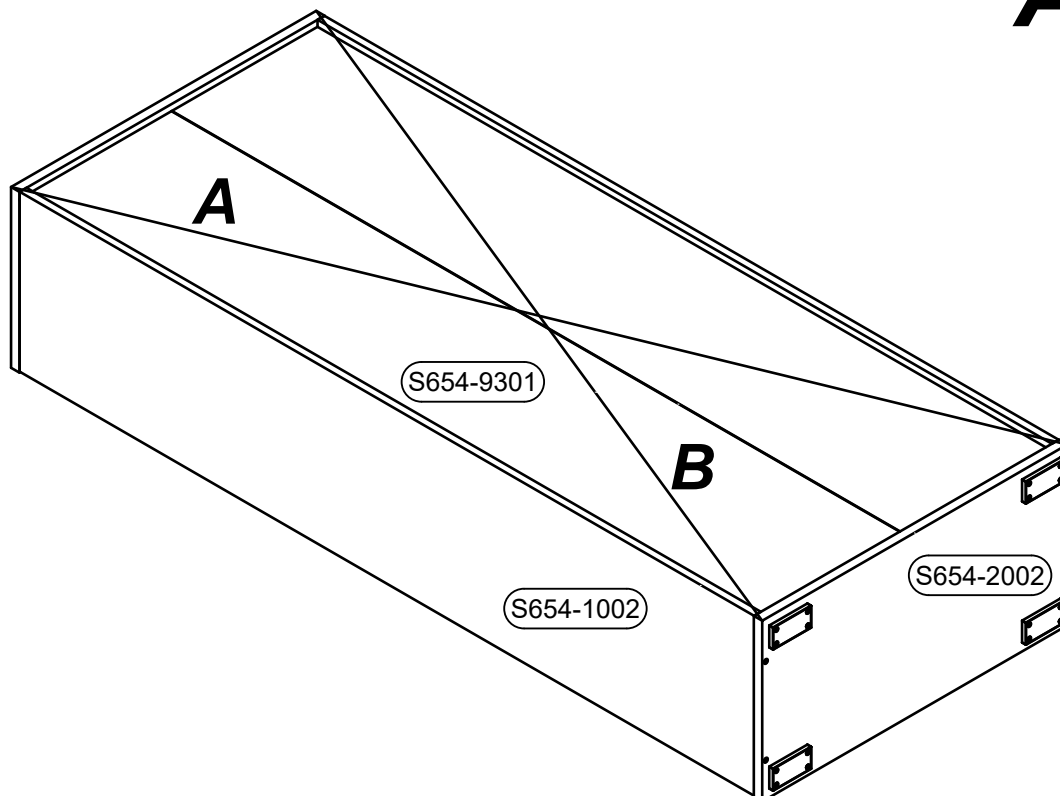


10



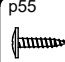

# 11

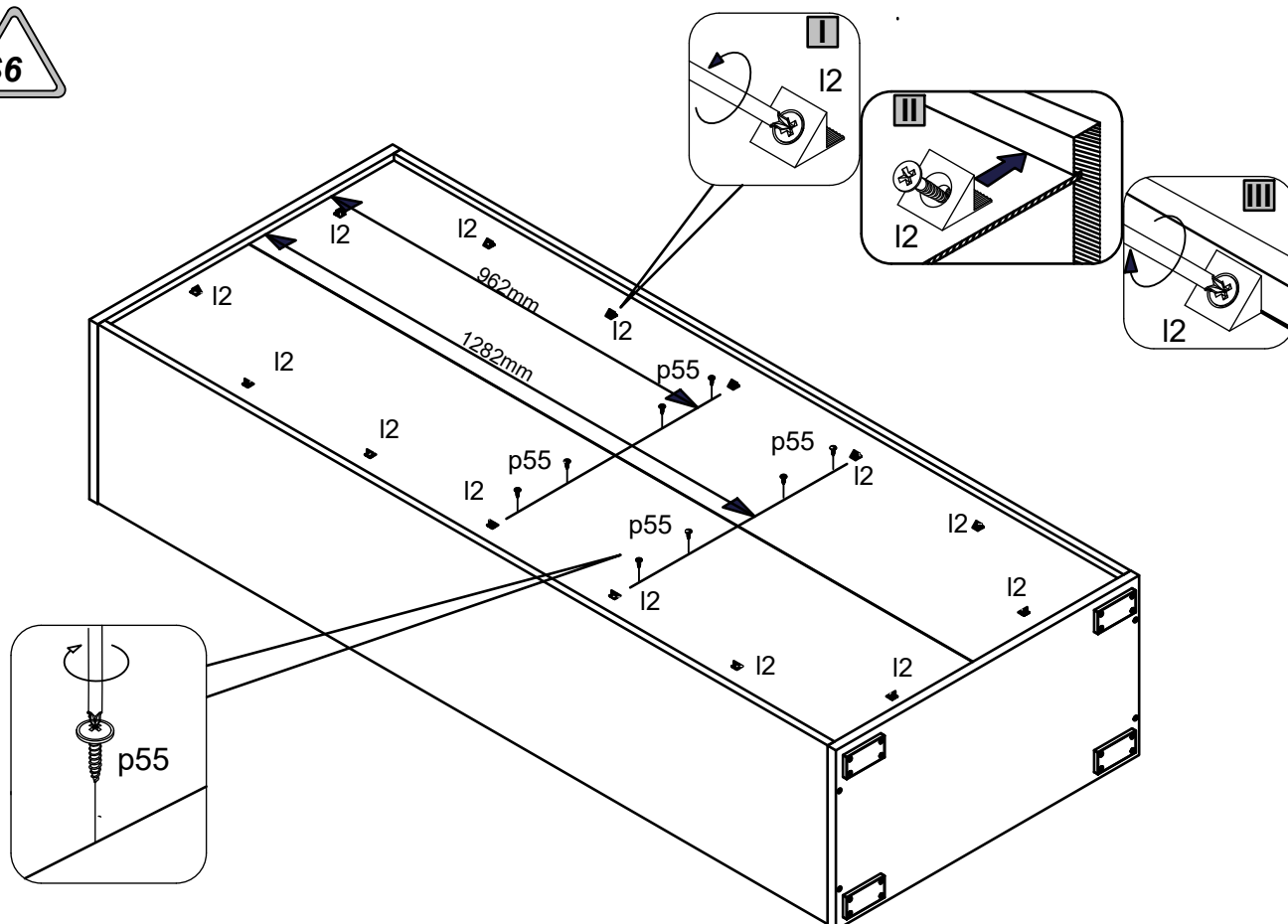
# A=B



# 12



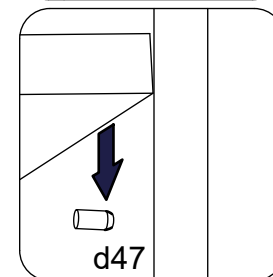
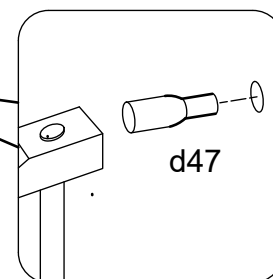
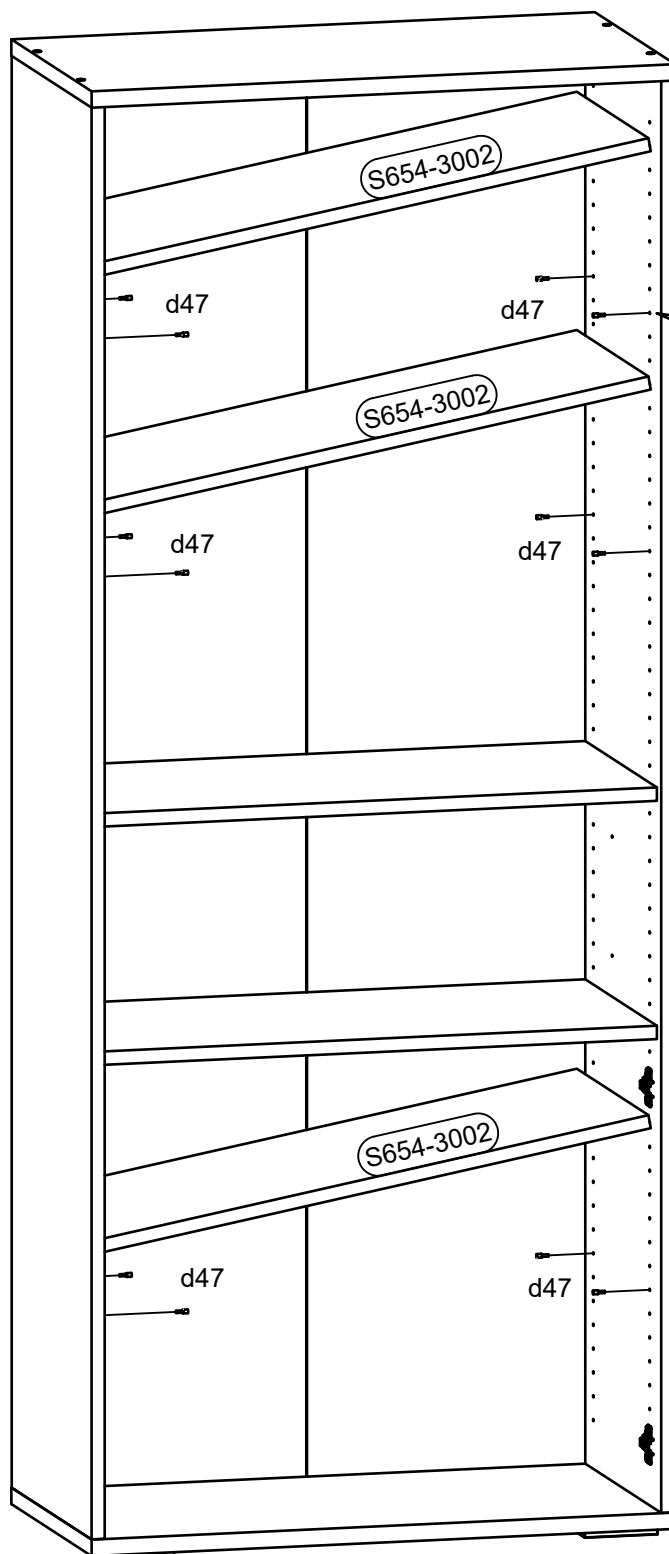
 p55	8x	 l2	14x
2.8x16mm			

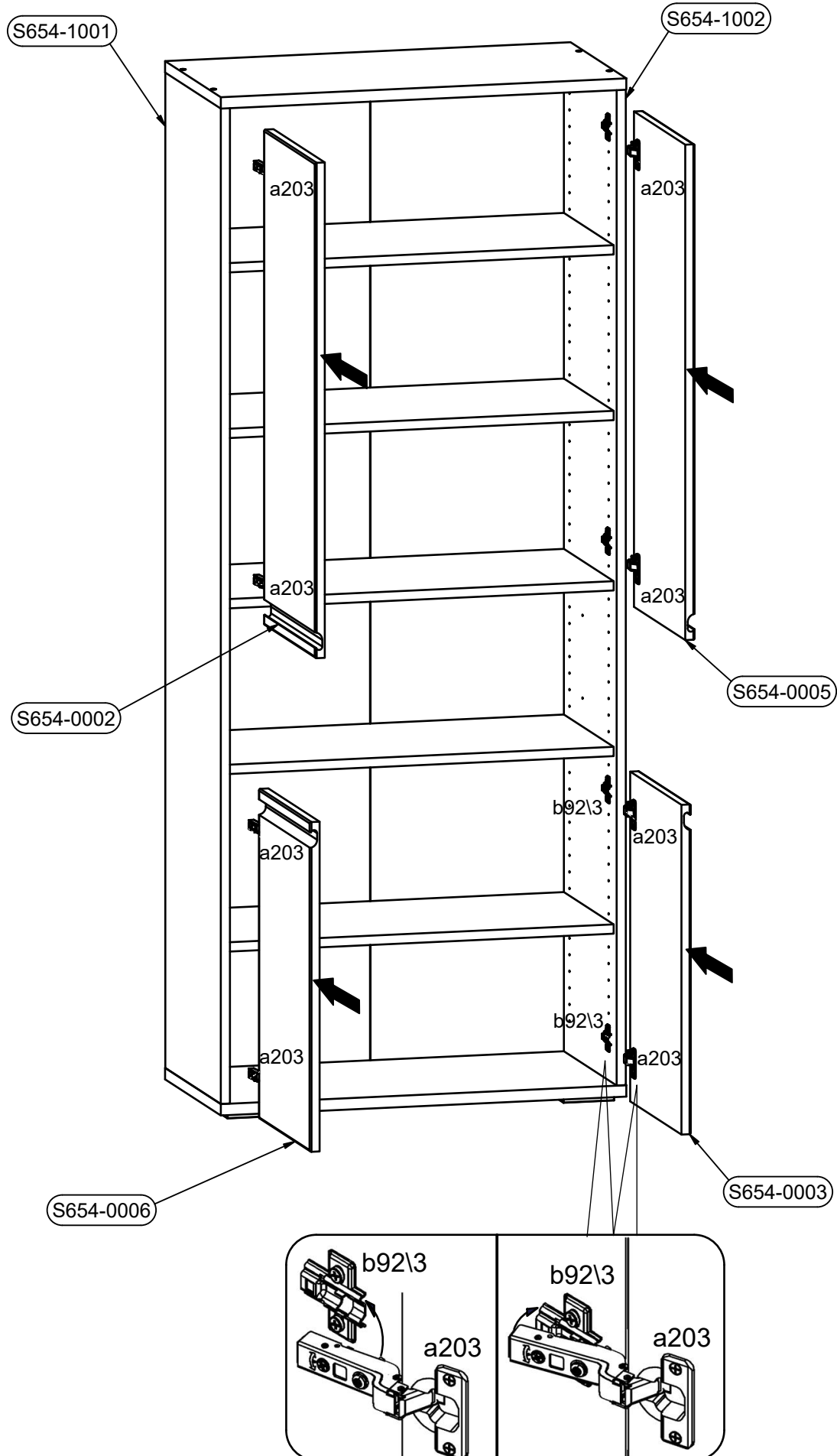


# 13

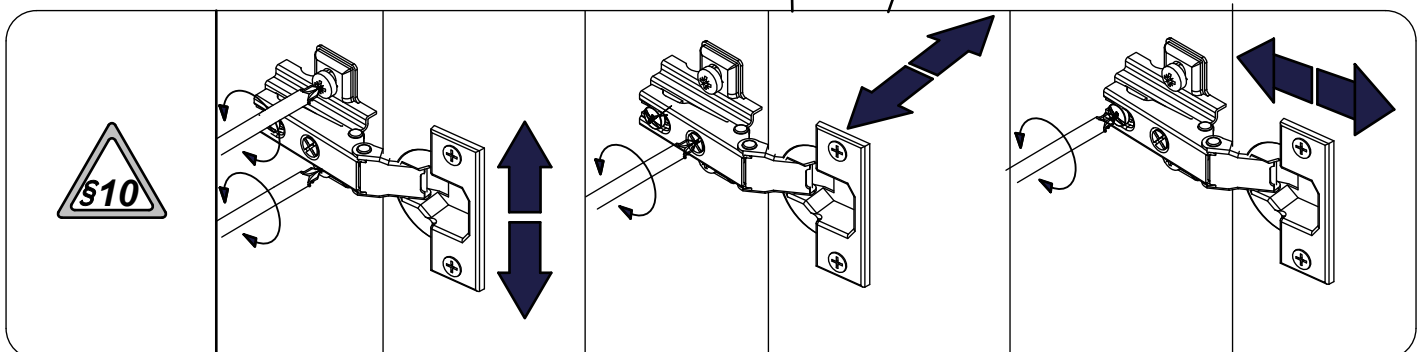
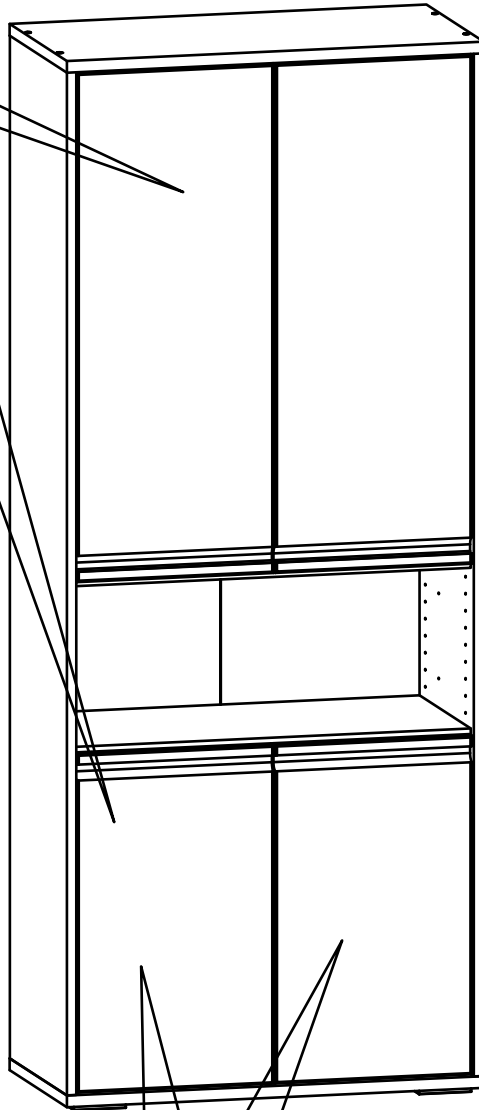
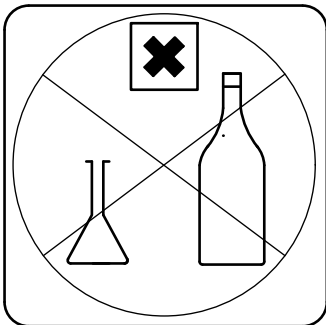
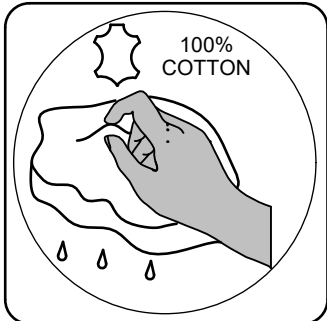
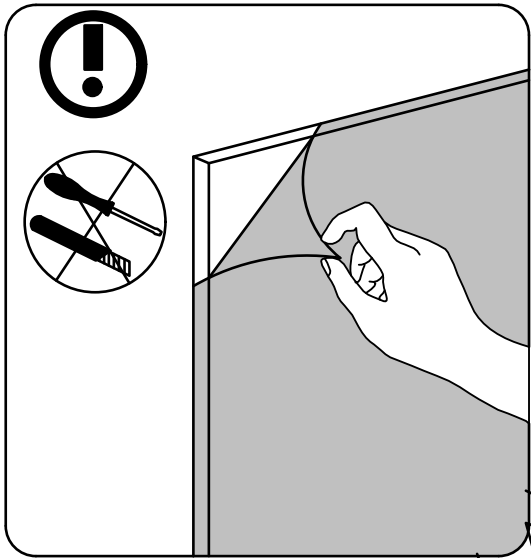


d47		12x
-----	--	-----





# 15



# 16



n14\2 	1x	p51 	2x 3.5x15mm
-----------	----	---------	----------------

