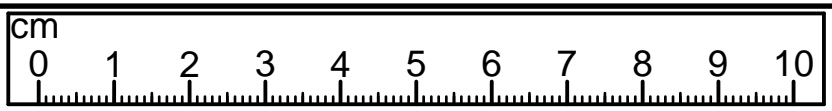












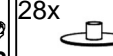


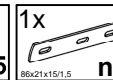
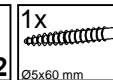
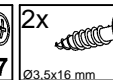
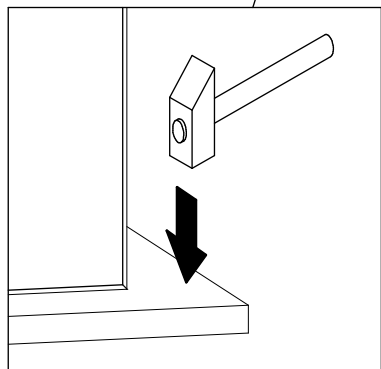
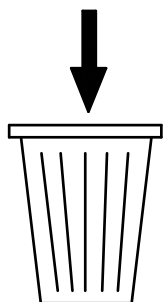
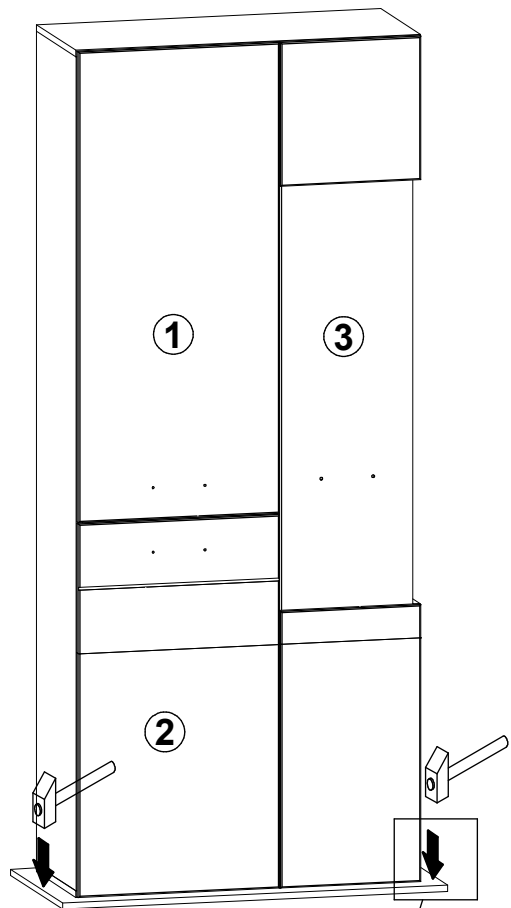


A	B	C (mm)		D
1	S249-0001	1139	496	1/1
2	S249-0002	904	496	1/1
3	S249-0003	2046	346	1/1
4	S249-1001	2018	364	1/1
5	S249-1002	2018	364	1/1
6	S249-1003	2018	344	1/1
7	S249-2001	850	364	1/1
8	S249-2002	850	364	1/1
9	S249-3001	326	344	1/1
10	S249-3002	475	344	1/1
11	S249-3003	474	334	1/1
12	S249-3004	325	334	1/1
13	S249-3005	319	319	1/1
14	S249-9001	2028	827	1/1

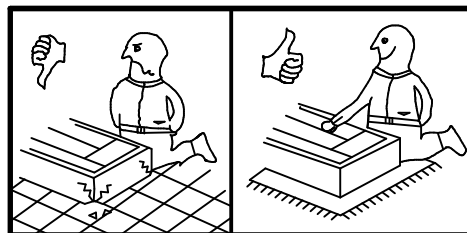
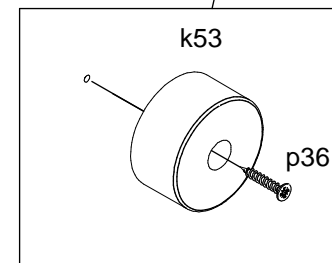
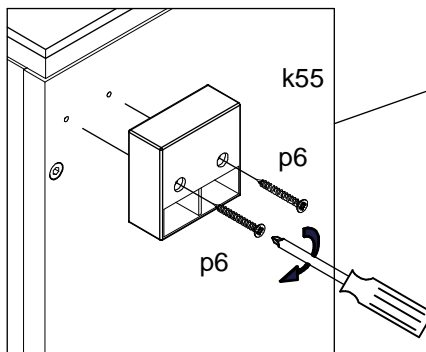
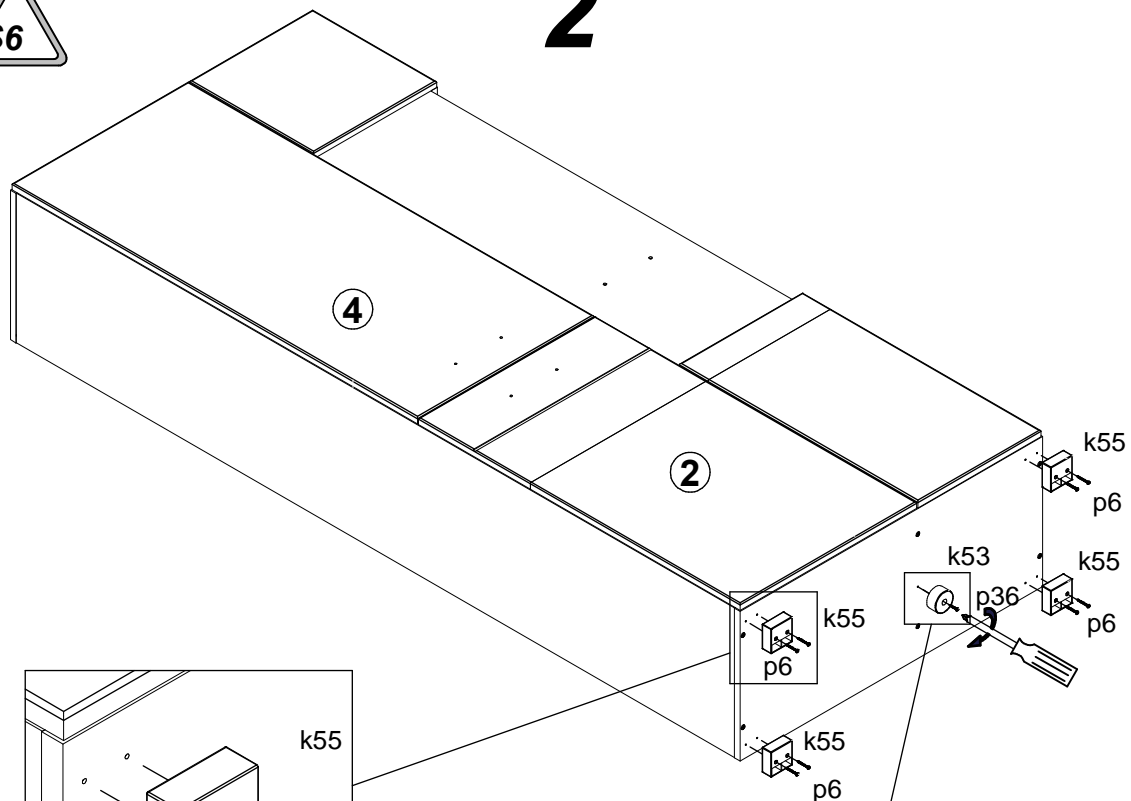


- 3x  **c34212**
- 20x  **d1**
- 6x  **d38**
- 4x  **j30**
- 1x  **k53**
- 4x  **k55**
- 2x  **j106**
- 8x  **p6**
- 1x  **p36**
- 2x  **o27**
- 2x  **o6511**
- 1x  **o6512-3**
- 28x  **s2**
- 4x  **o21**
silikon
- 1x  **f35**
- 1x  **n1412**
- 1x  **p17**
- 2x  **p38**

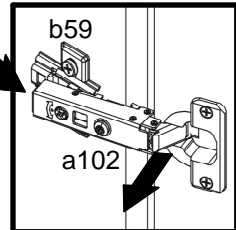
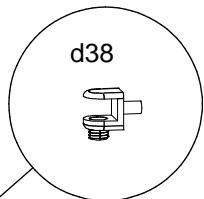
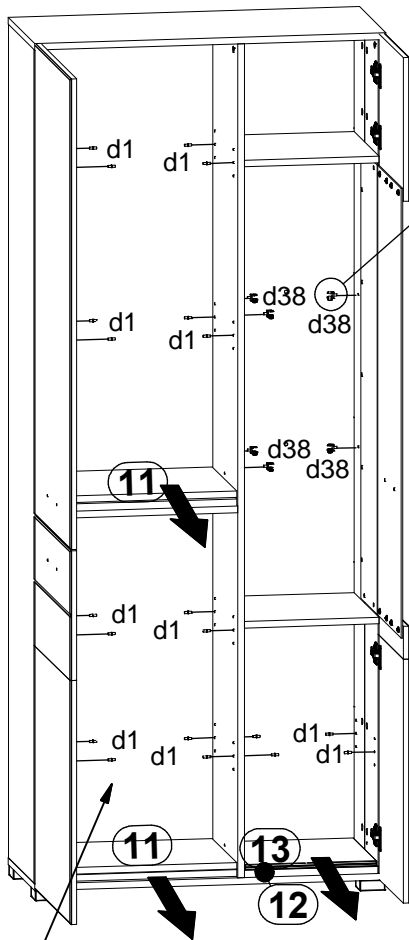
1



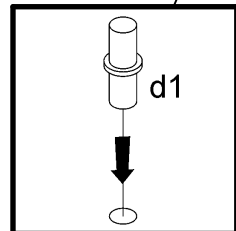
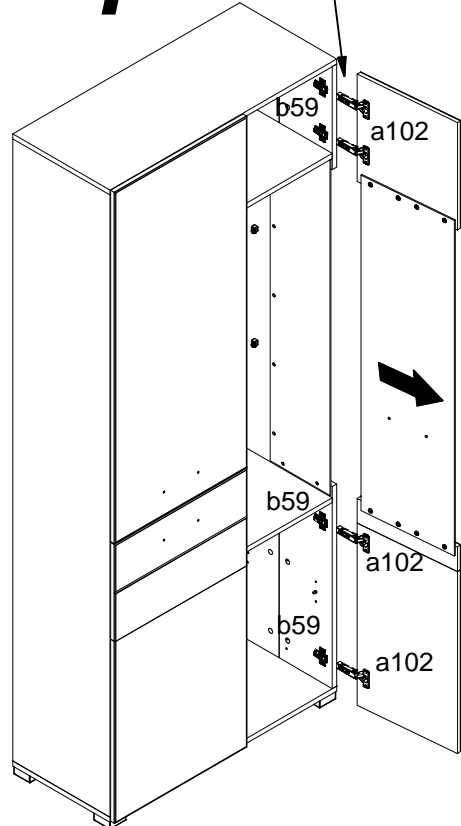
2



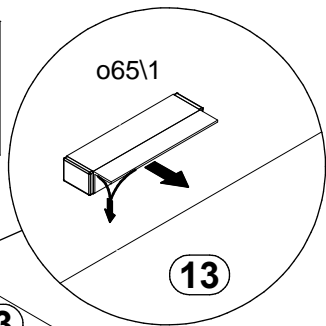
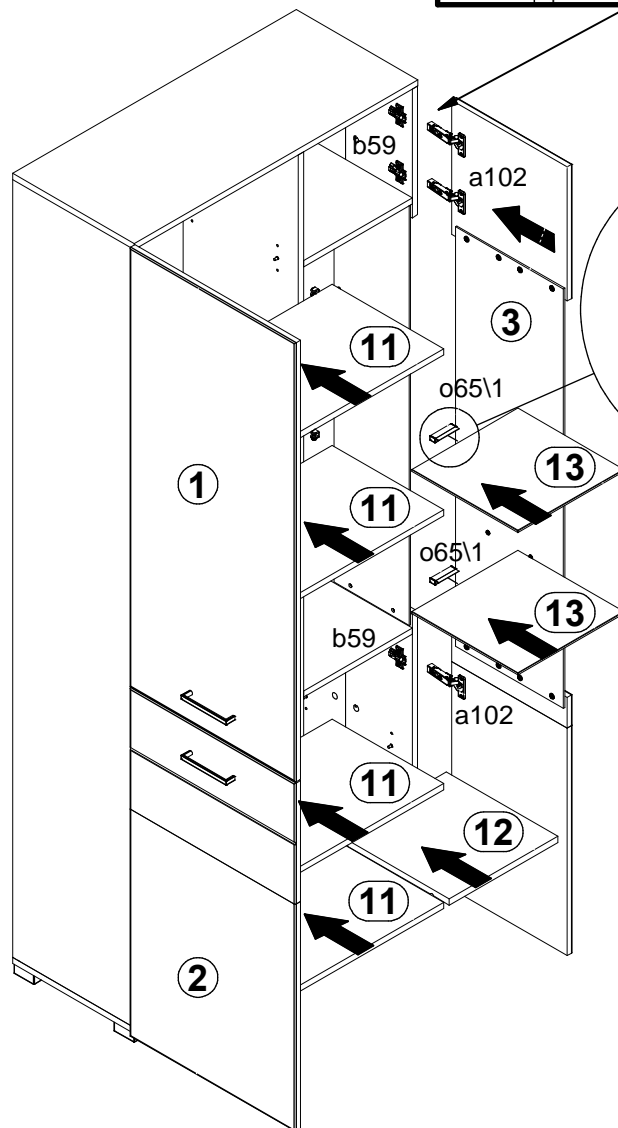
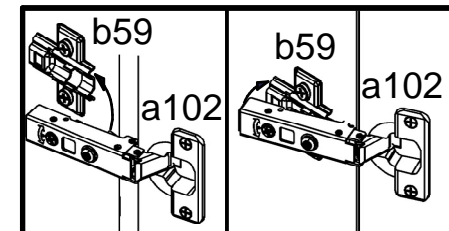
3

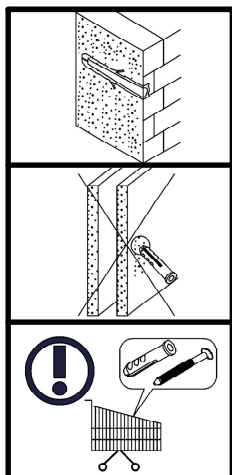
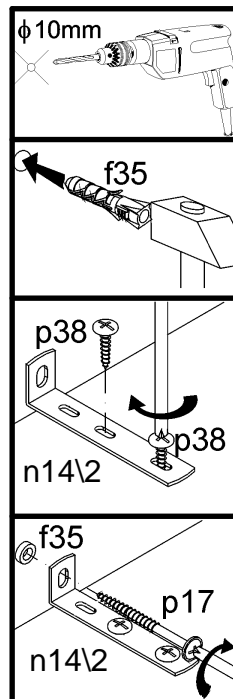
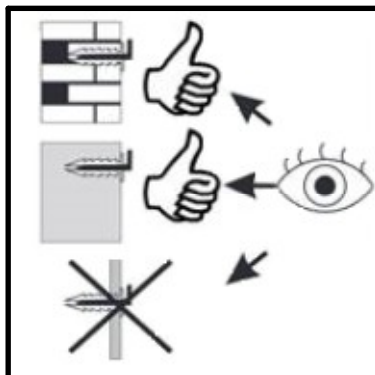


4

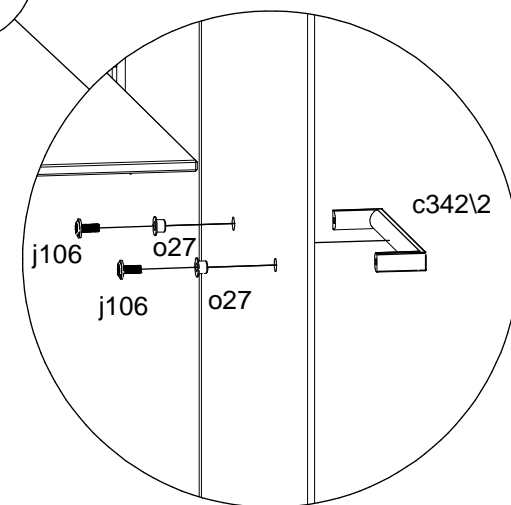
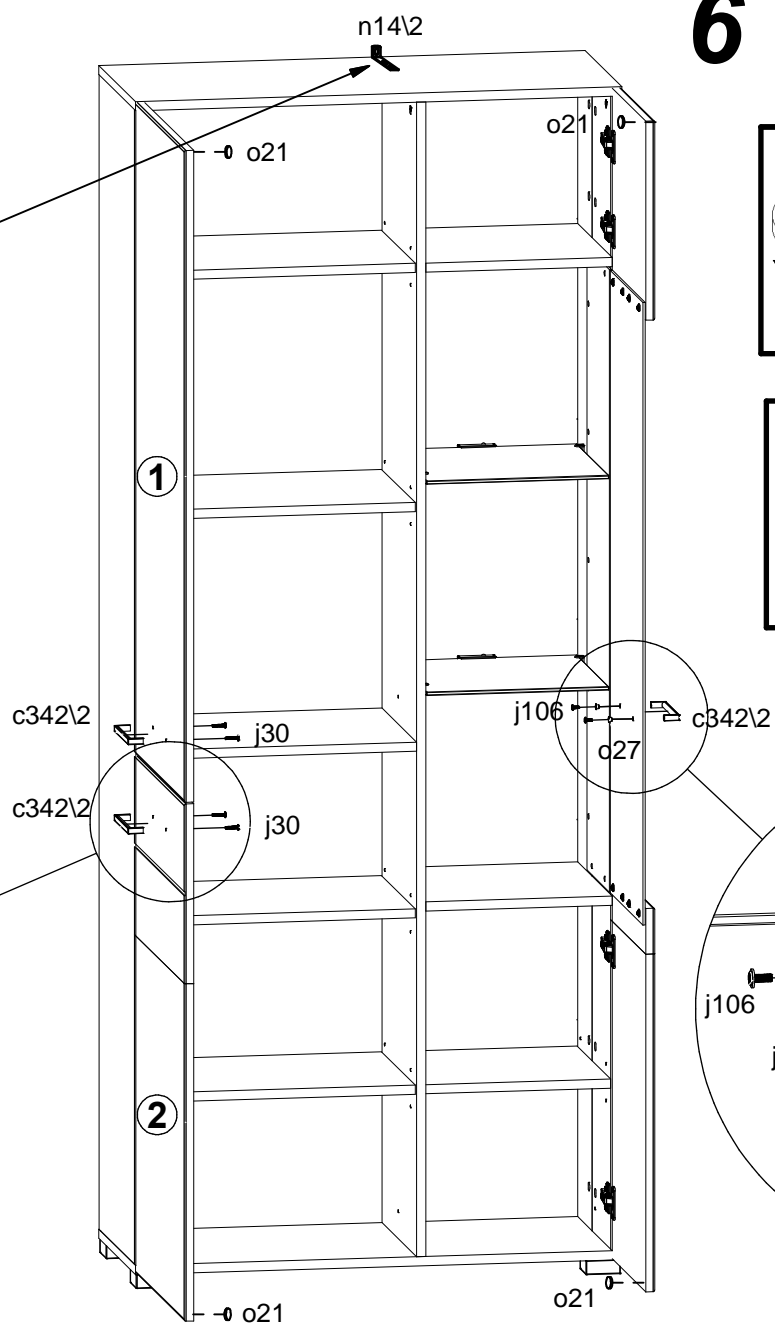
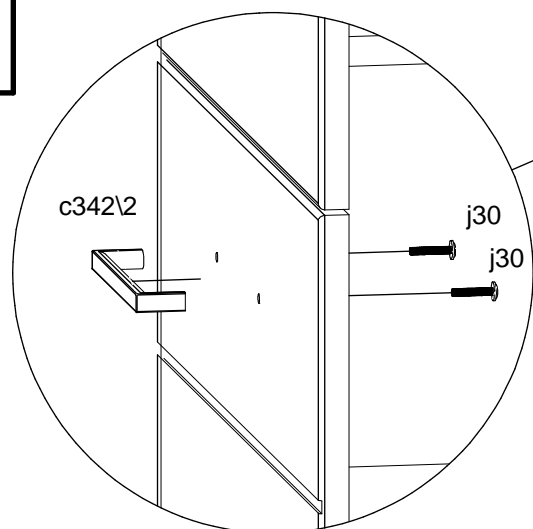
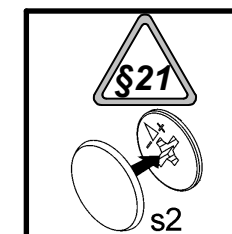
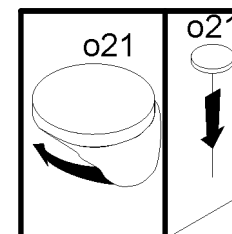


5





6



7

