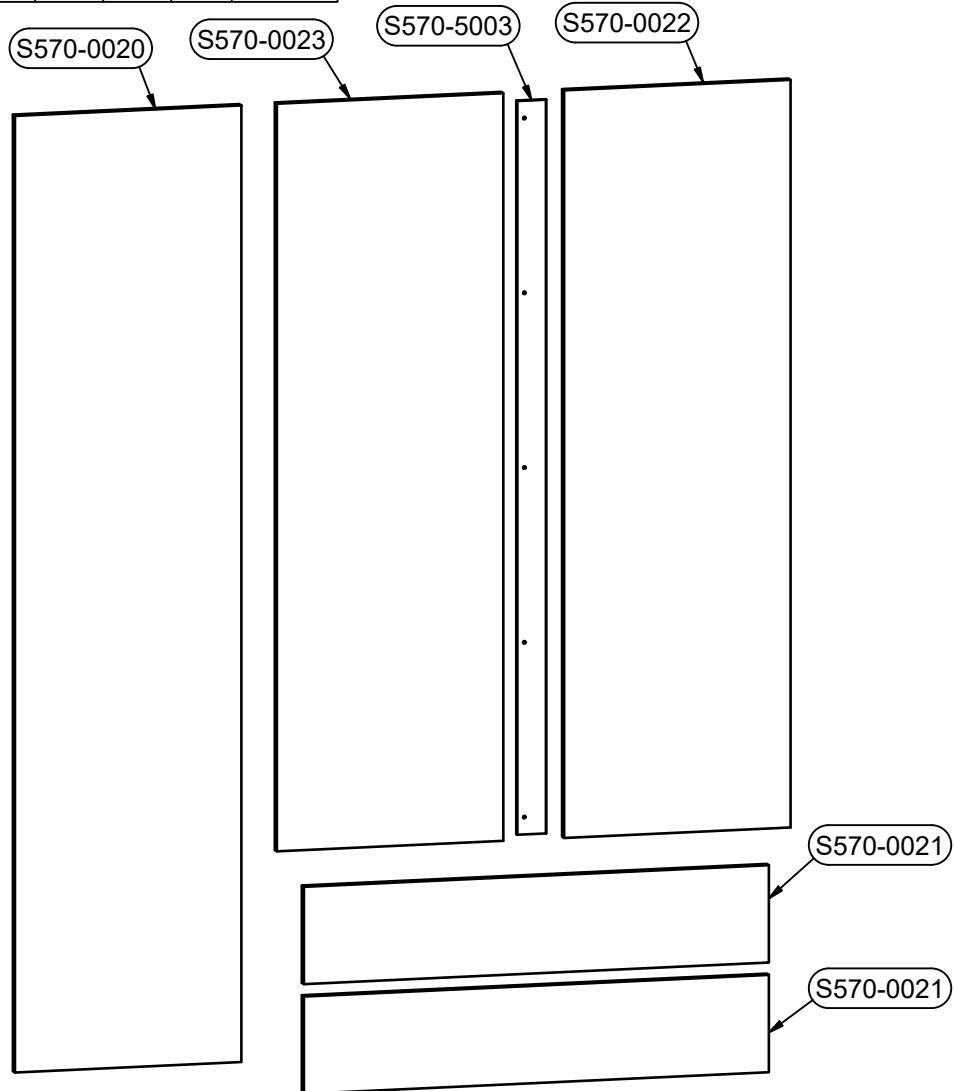
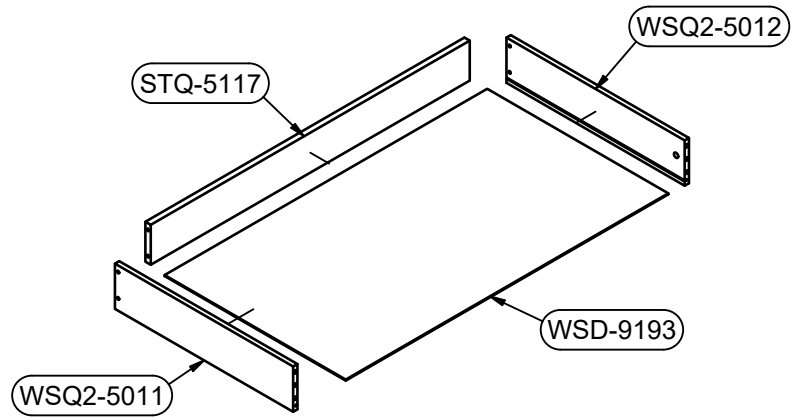
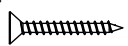
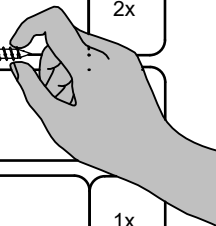





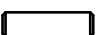


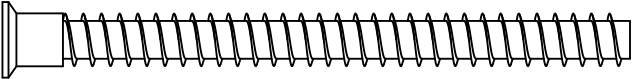
B1	B2	C1	C2	C3	C4	D
S570-0020	-.1	1927	465	16	1	6/6
S570-0021	-.1	955	196	16	2	3/6
S570-0022	-.1	1506	465	16	1	6/6
S570-0023	-.1	1506	465	16	1	6/6
S570-1022	-.2	1932	562	16	1	2/6
S570-1023	-.3	1900	542	16	1	3/6
S570-1024	-.2	1932	562	16	1	2/6
S570-2030	-.2	1430	580	22	1	4/6
S570-2031	-.1	1430	580	22	1	4/6
S570-2032	-.2	1400	562	12	2	5/6
S570-3024	-.1	444	534	16	4	1/6
S570-3025	-.1	1396	542	16	1	5/6
S570-3026	-.1	1396	542	16	1	5/6
S570-3027	-.1	935	542	16	1	1/6
S570-3028	-.1	935	534	16	1	1/6
S570-5003	-.1	1478	60	6	1	3/6
S570-5004	-.1	935	60	32	1	3/6
S570-9010	-.1	1926	459	2,5	1	3/6
S570-9308	-.1	1926	945	2,5	1	3/6
STQ-5117	-	895	97	15	2	3/6
WSD-9193	-	905	508	2,5	2	3/6
WSQ2-5011	-.3	500	110	12	2	3/6
WSQ2-5012	-.4	500	110	12	2	3/6
dr-928	-	928	30	15	1	3/6
S570-3030	-	445	540	16	1	1/6




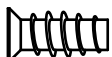
1:1


p16		2x		p16		2x	
p55				p55		1x	
f1		1x		f1		1x	




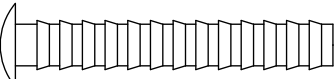
e12		4x
	Ø7x83 mm	


e40		8x
	Ø7x45 mm	

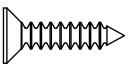
e3		8x
	Ø6x13 mm	

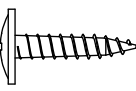
f1		32x
	30mm	

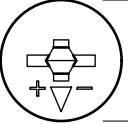
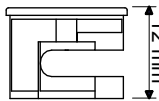
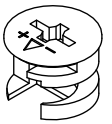
f13		6x
	Ø8x20 mm	

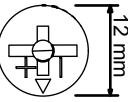
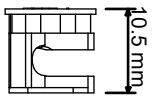
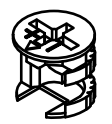
f25		8x
	6.5x40 mm	

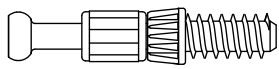
p38		15x
	Ø3,5x16 mm	

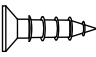
p51		28x
	3.5x15mm	

p55		62x
	2.9x16mm	

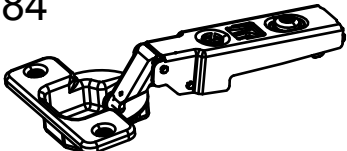
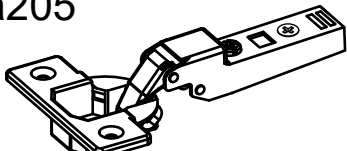
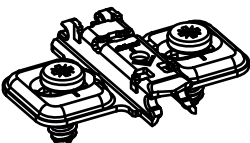
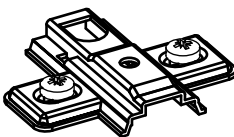
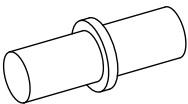
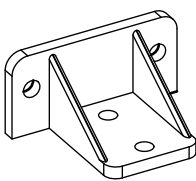
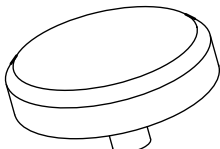
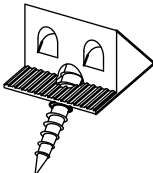
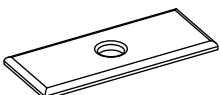
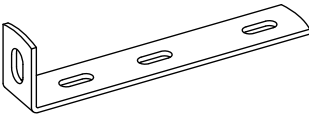
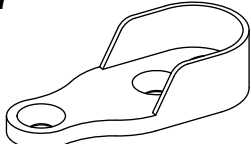
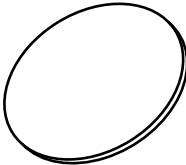
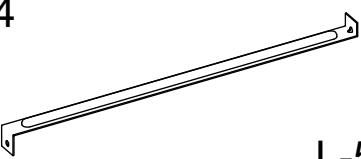
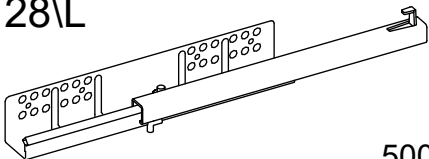
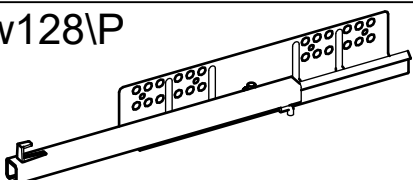

r1				20x
	15mm	12mm	15x12mm	

r15				4x
	12mm	10.5mm	12x10,5mm	

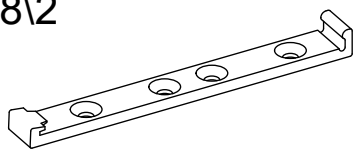
r42		24x
-----	---	-----

z28\4		6x
	3x12mm	

~~1:1~~

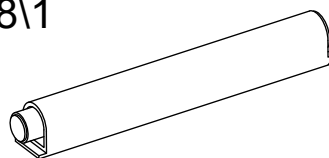
a84		7x	a205		3x
b31		7x	b90		3x
d1	 fi5mm	16x	d41\2		2x
k43	 fi48x10mm	5x	l2		12x
n108		10x	n14\2		1x
n267		2x	s68	 Ø20mm	4x
t34	 L-500mm	2x	w128\L	 500mm	2x
w128\P	 500mm	2x	z1	 4mm	1x

z28\2



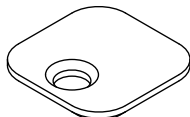
2x

z28\1



2x

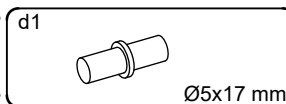
z28\3



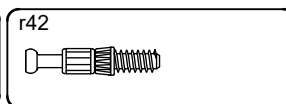
2x



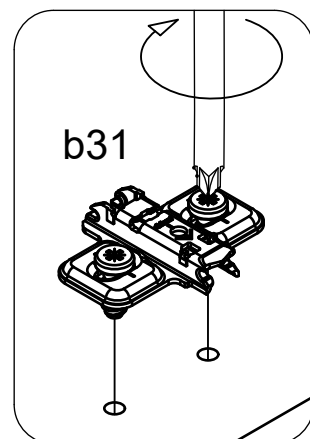
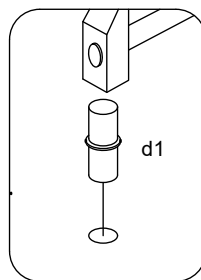
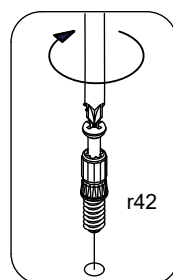
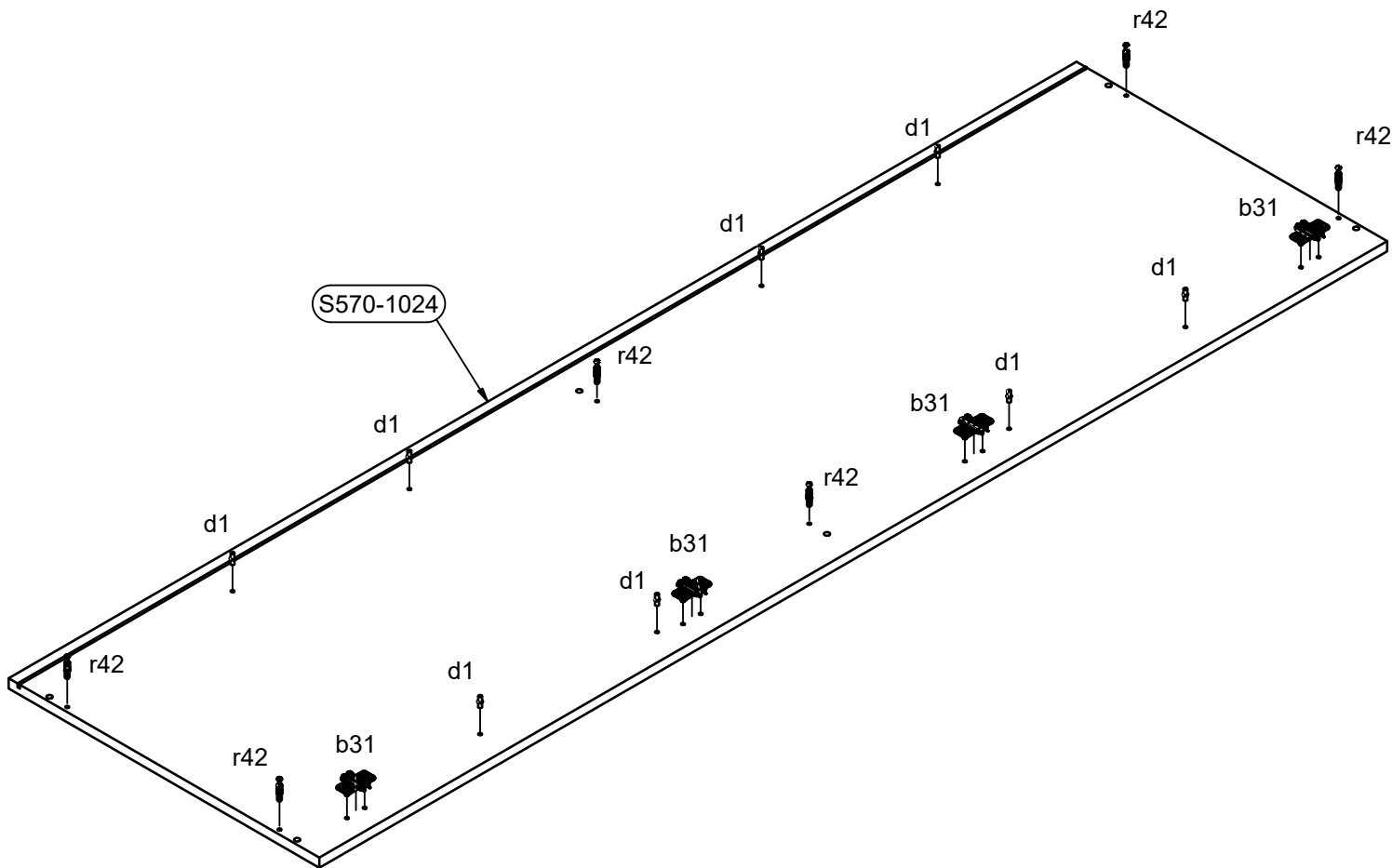
4x





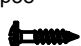
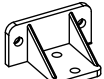

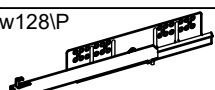


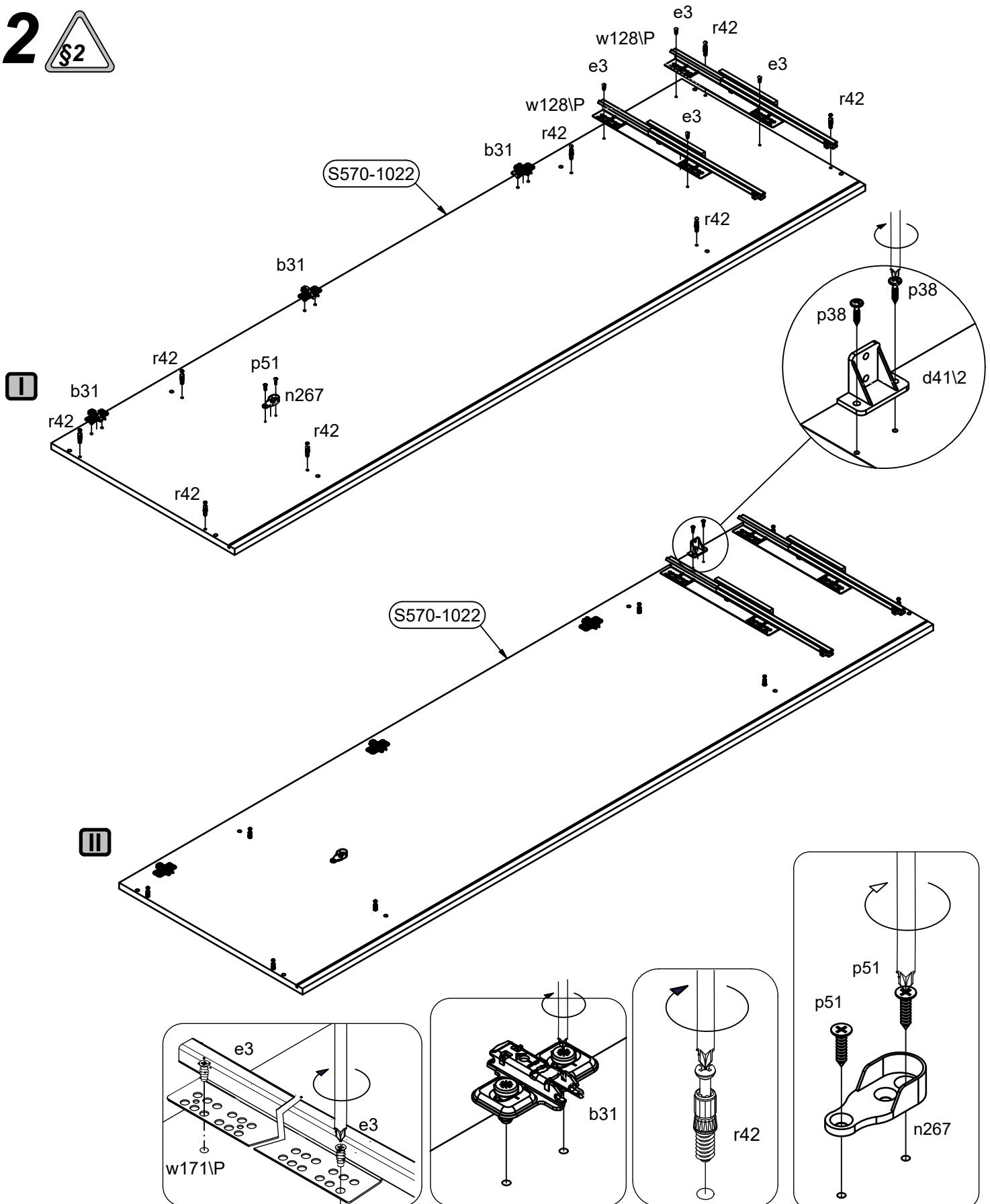
8x



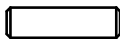


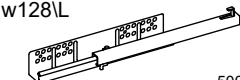



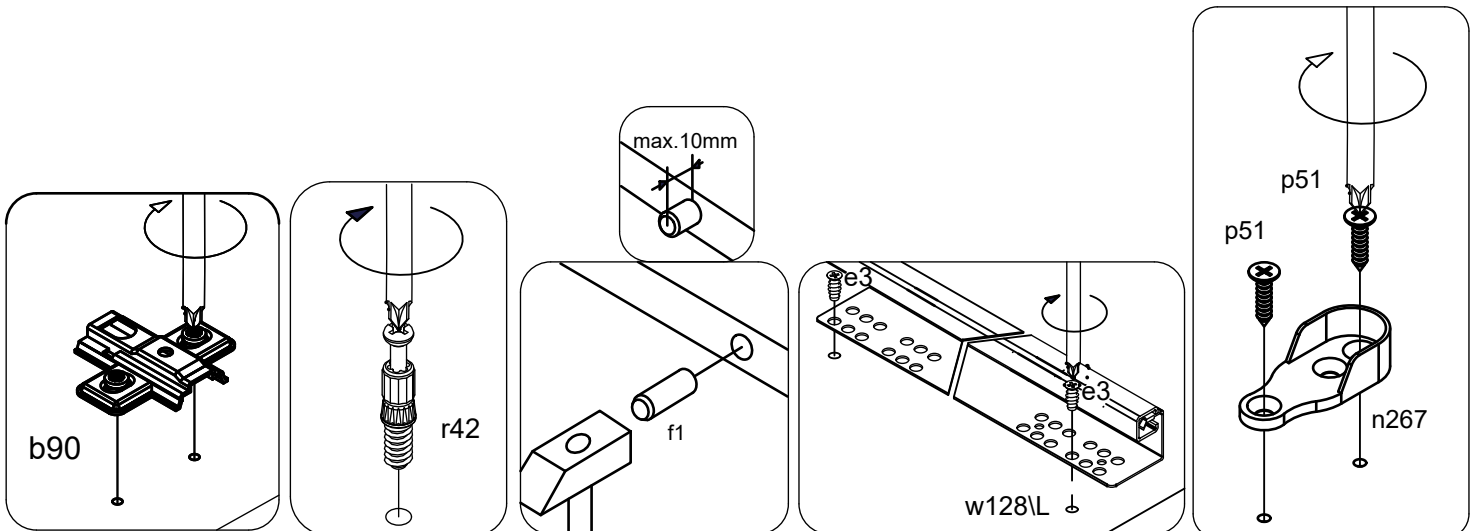
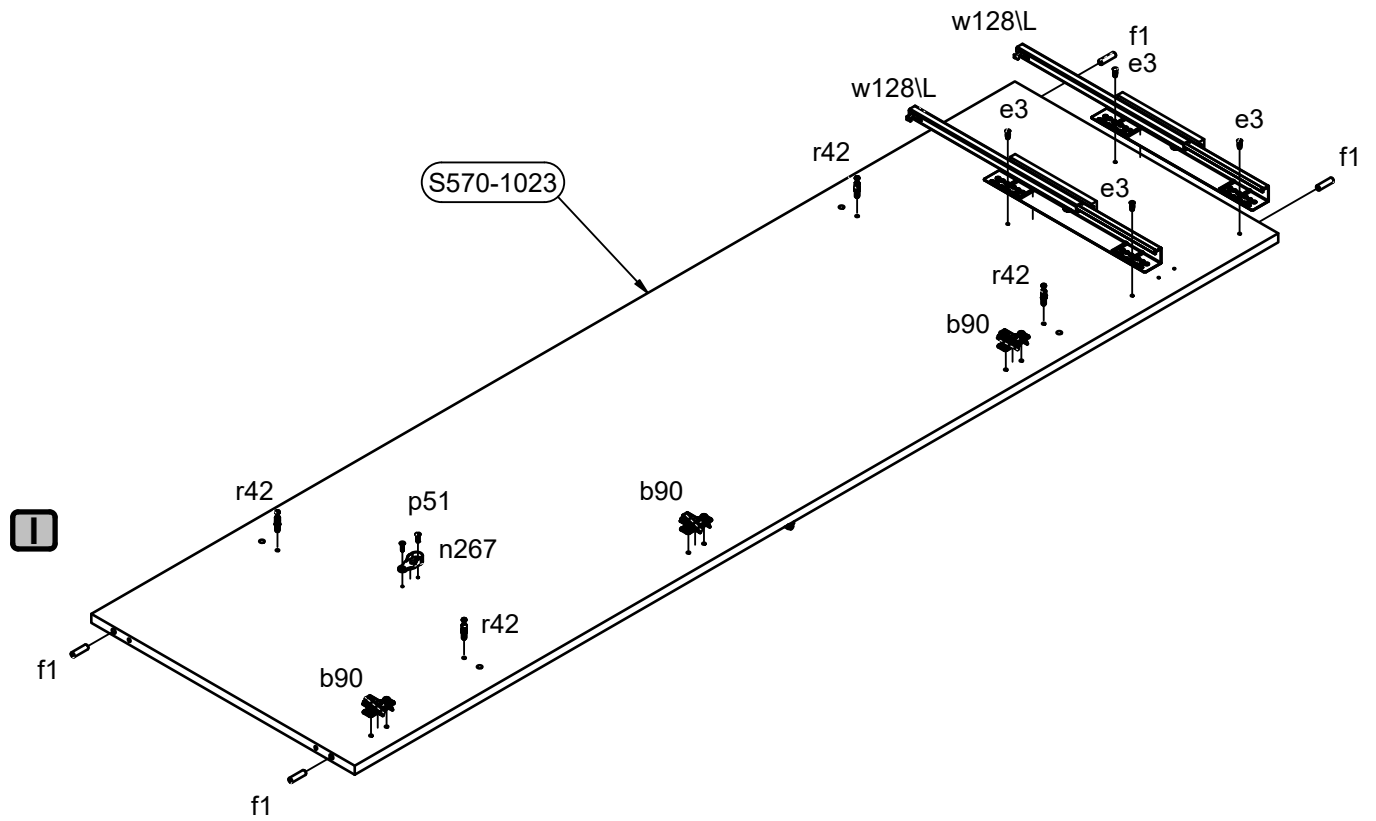
6x



b31 	3x	r42 	8x	n267 	1x	p51 	2x Ø3.5x15 mm
p38 	2x Ø3,5x16 mm	d41\2 	1x	e3 	4x Ø6x13 mm	w128\P 	2x 500mm

2 


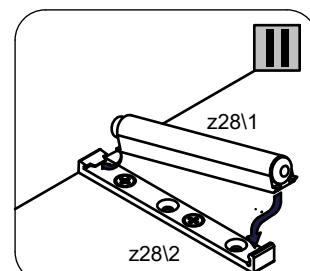
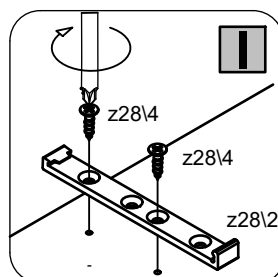
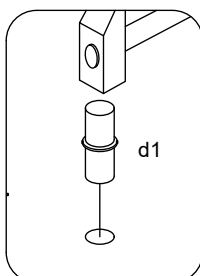
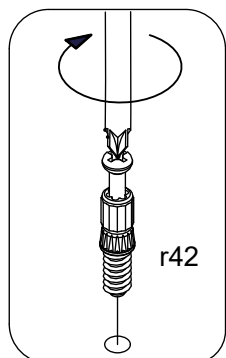
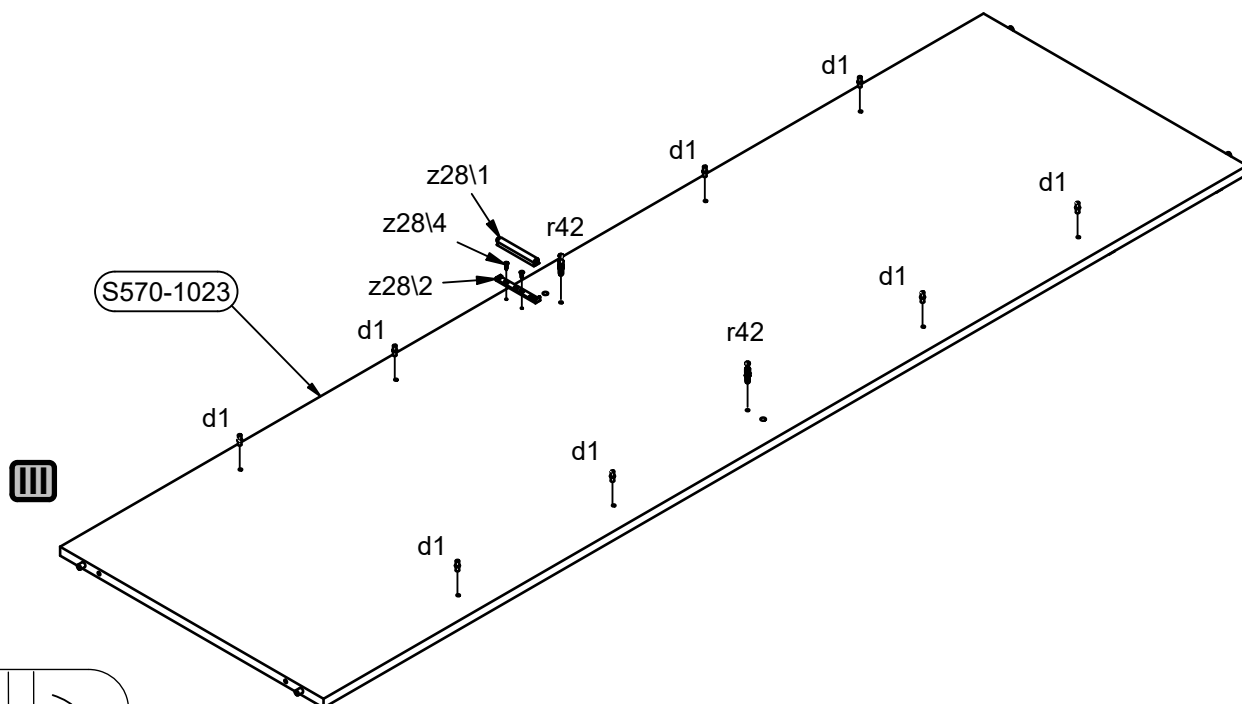
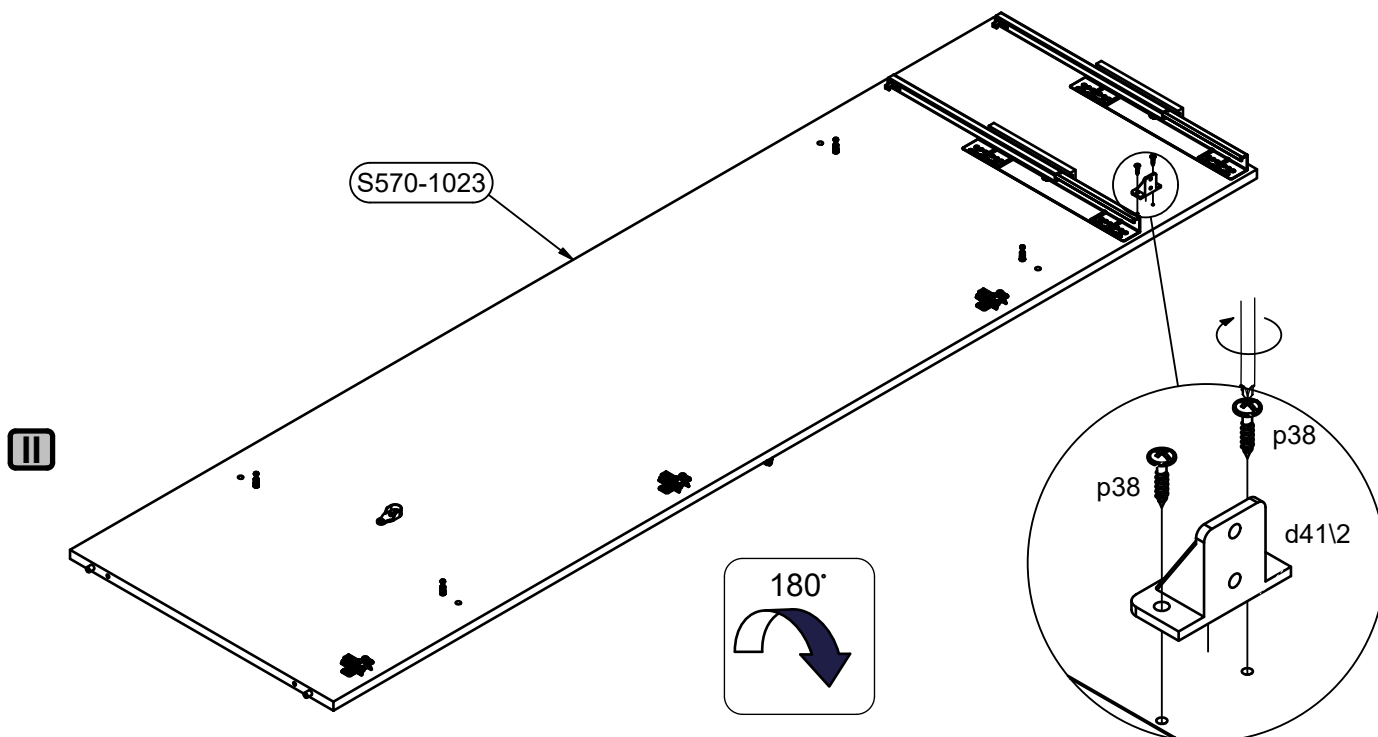
r42 	4x	b90 	3x	f1 	4x	n267 	1x
e3 	4x	Ø6x13 mm	w128\L 	2x	500mm	p51 	2x
						Ø3.5x15 mm	

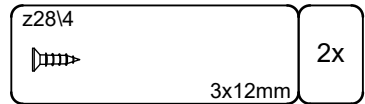
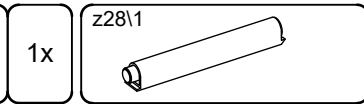
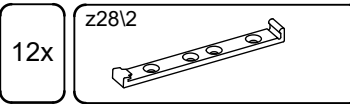
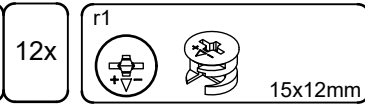
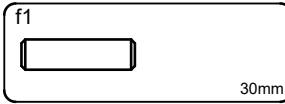
3

A**S570-SZF3D2S**

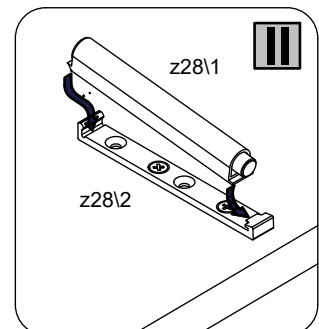
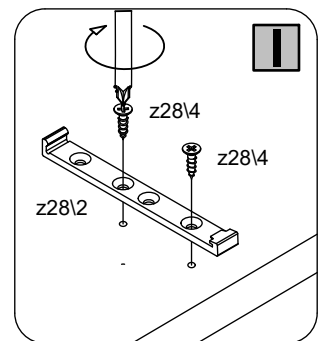
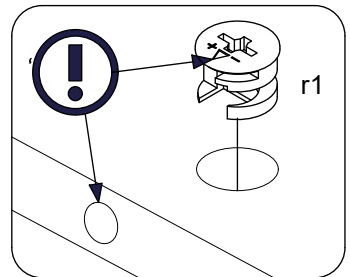
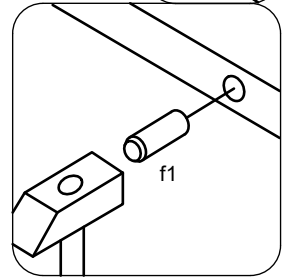
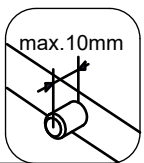
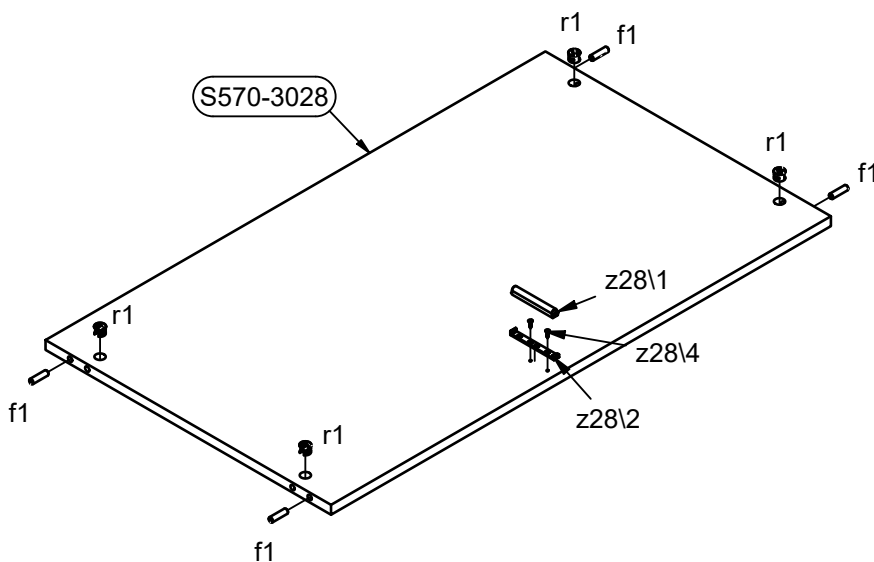
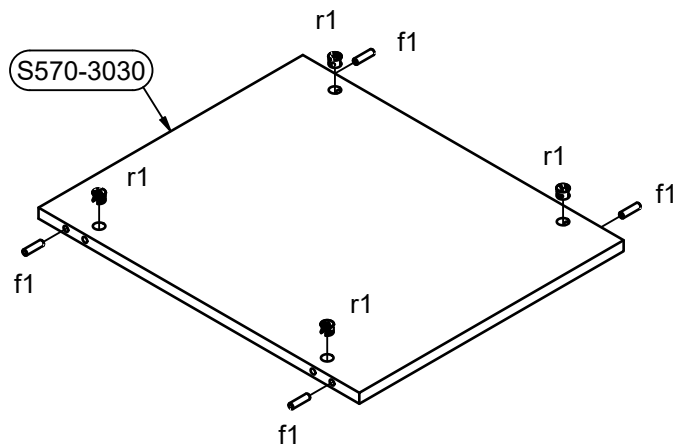
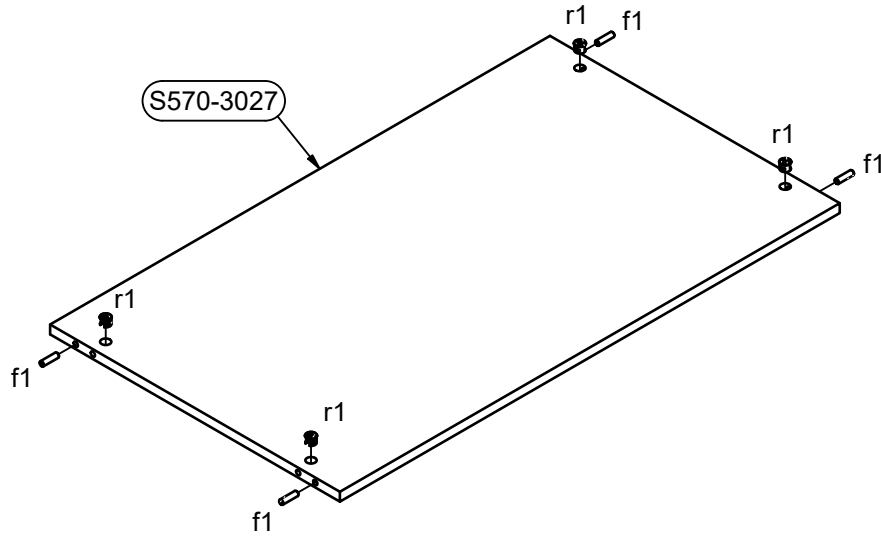
12 / 31

z28\4 3x12mm 2x	p38 Ø3,5x16 mm 2x	d41\2 1x	d1 Ø5x17 mm 8x
r42 2x	z28\2 1x	z28\1 1x	

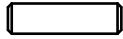


3

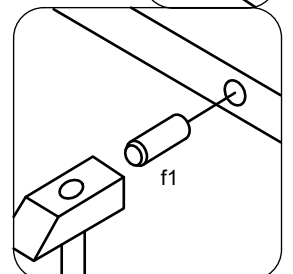
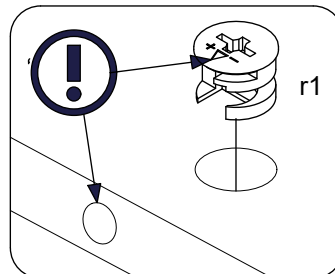
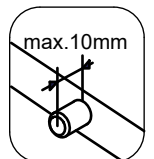
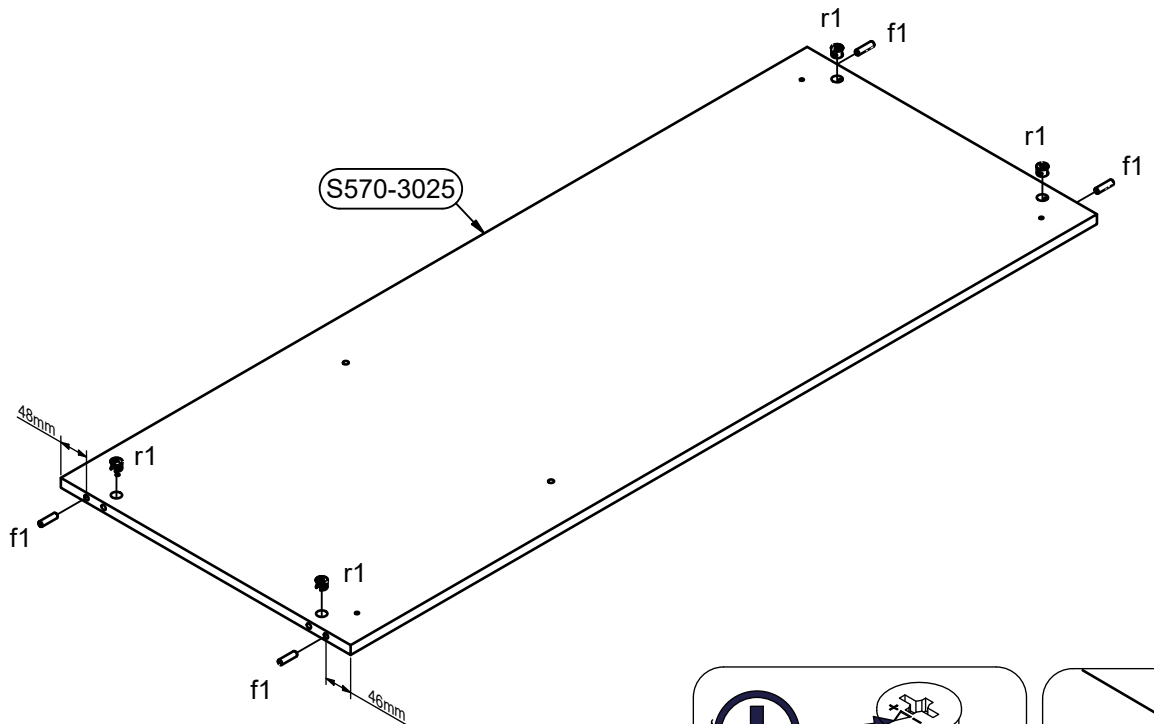
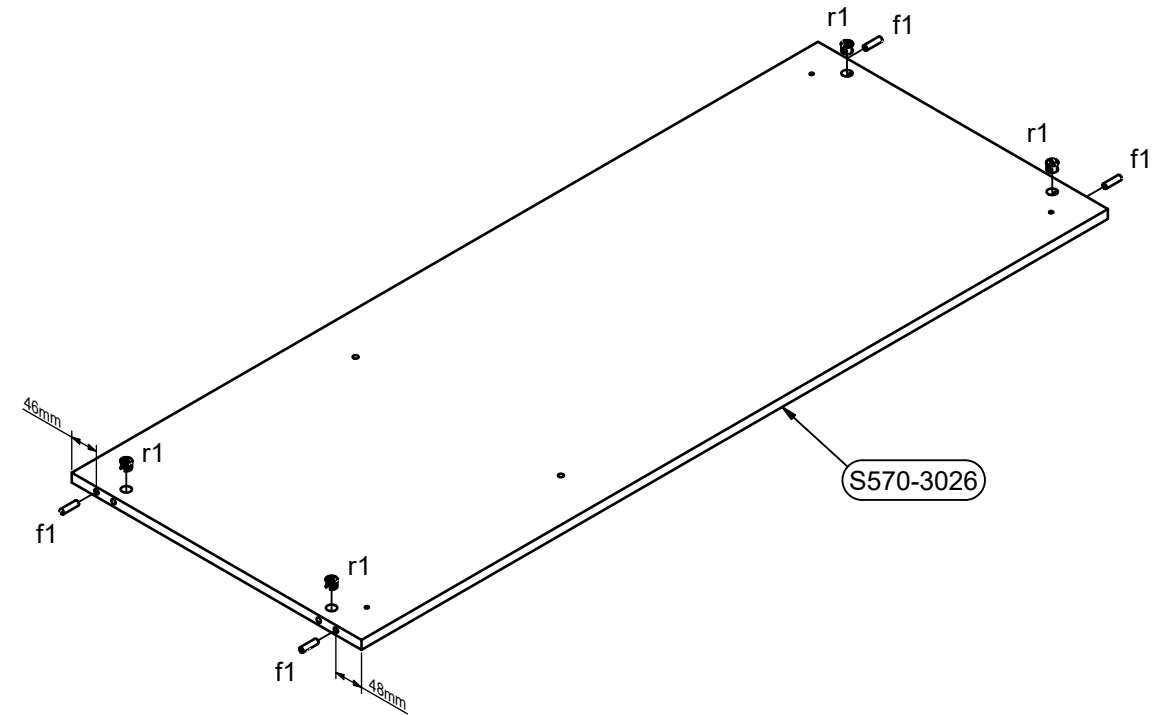


4 




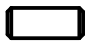
5 

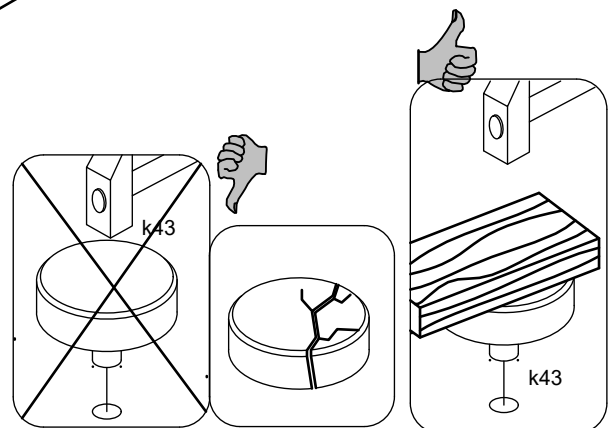
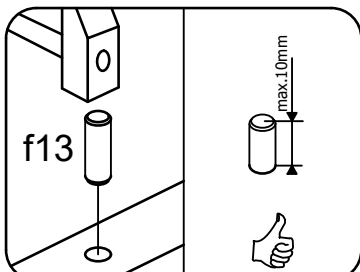
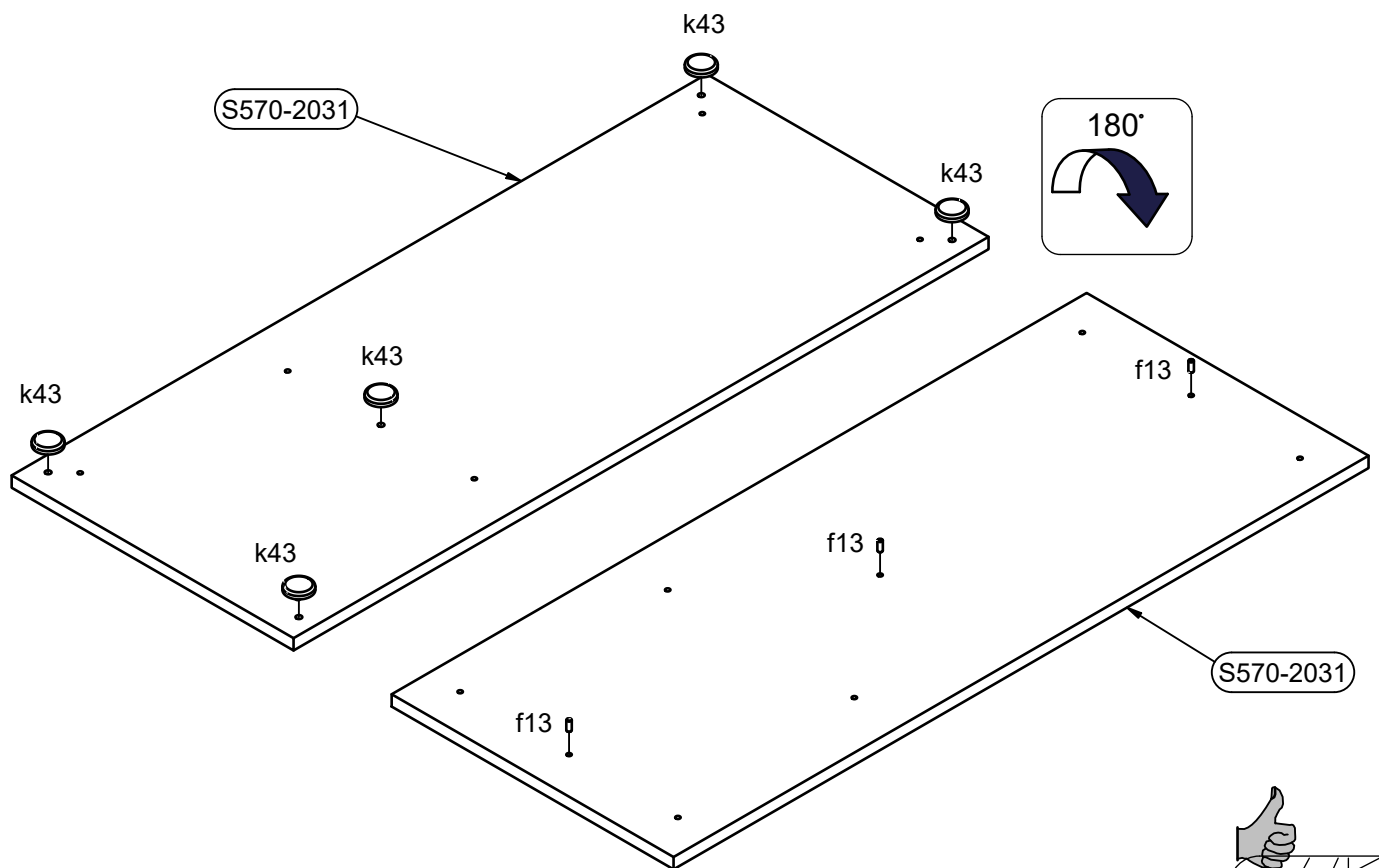
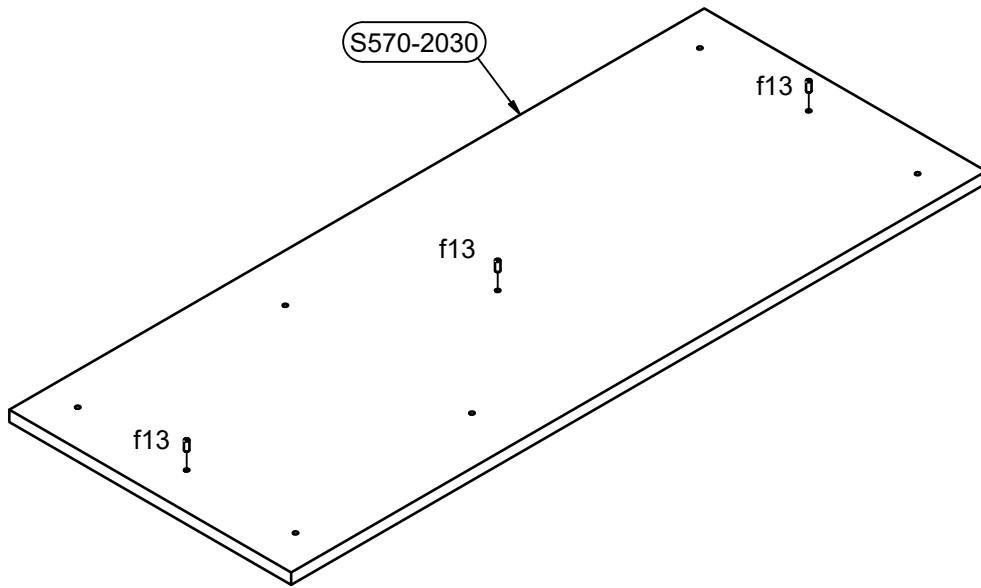
 f1 30mm	8x	 r1	 15x12mm	8x
---	----	---	--	----



6



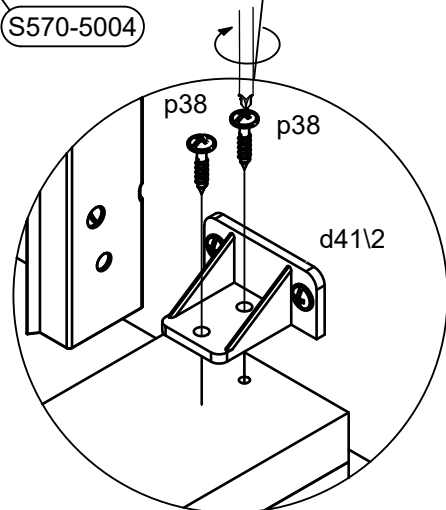
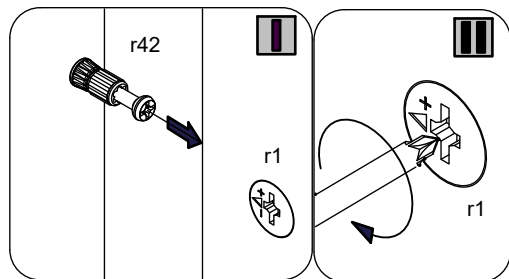
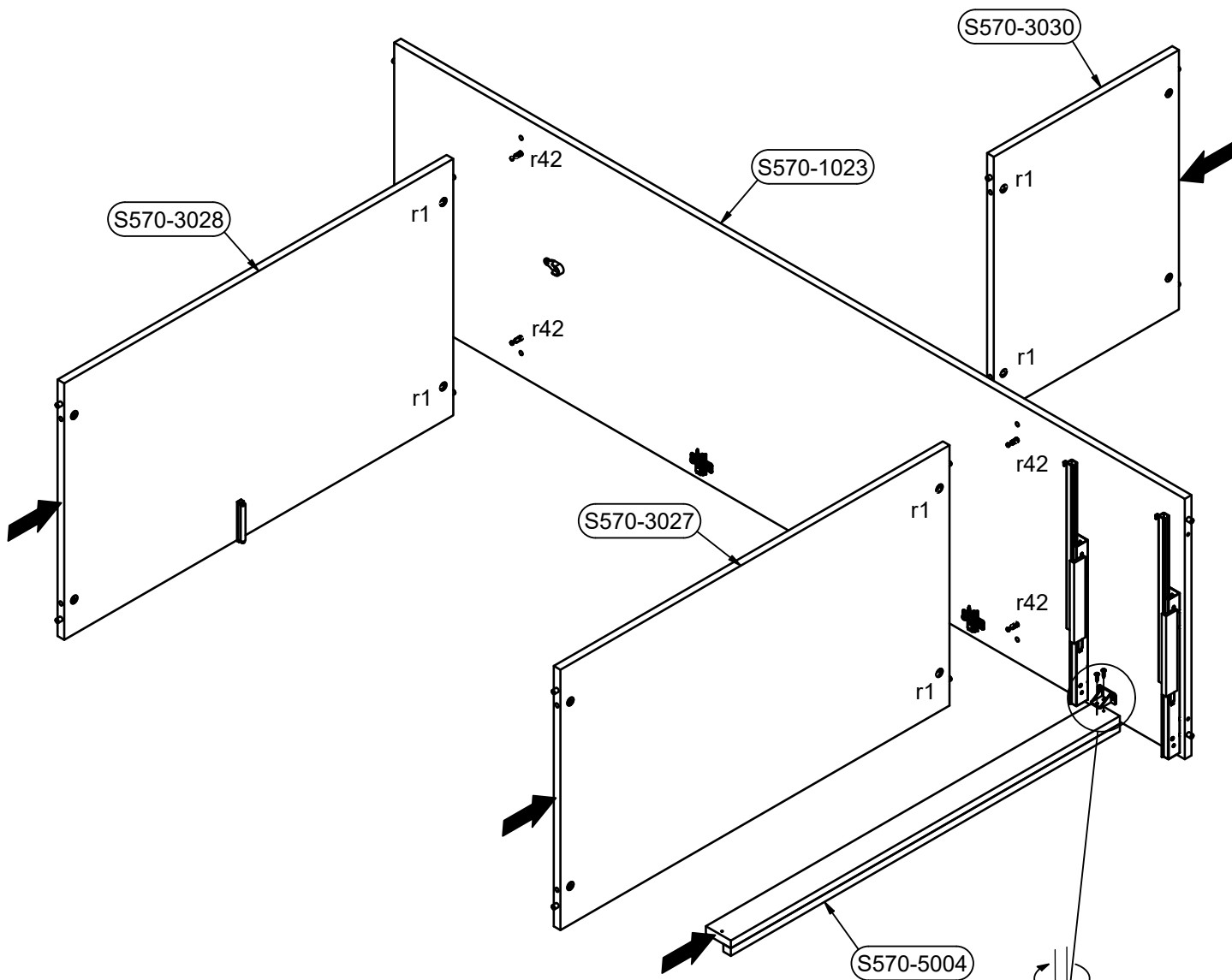
k43  fi48x10mm	5x	f13  Ø8x20 mm	6x
---	----	--	----



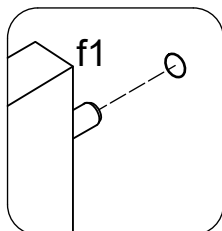
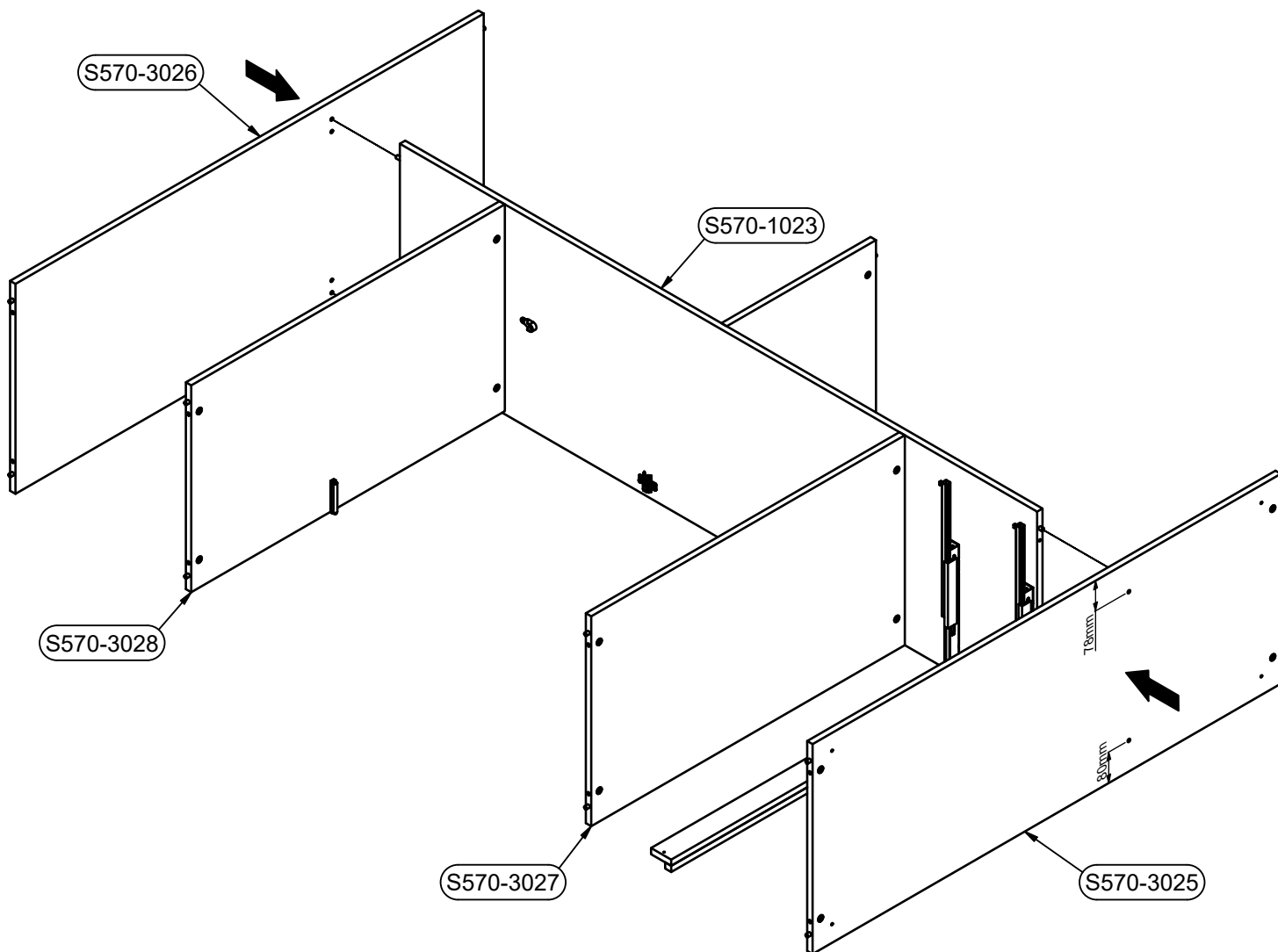
7



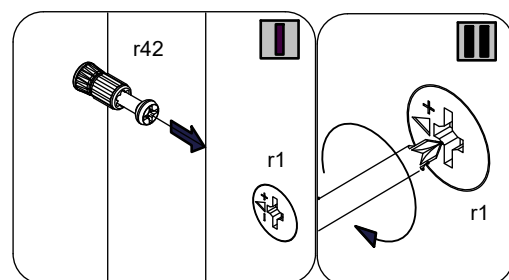
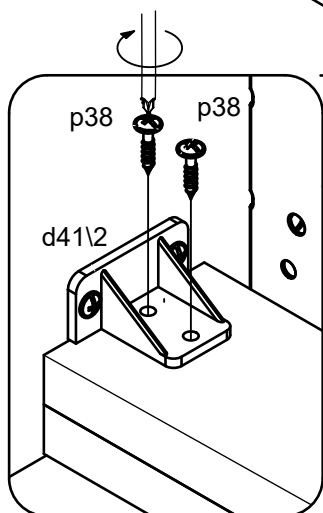
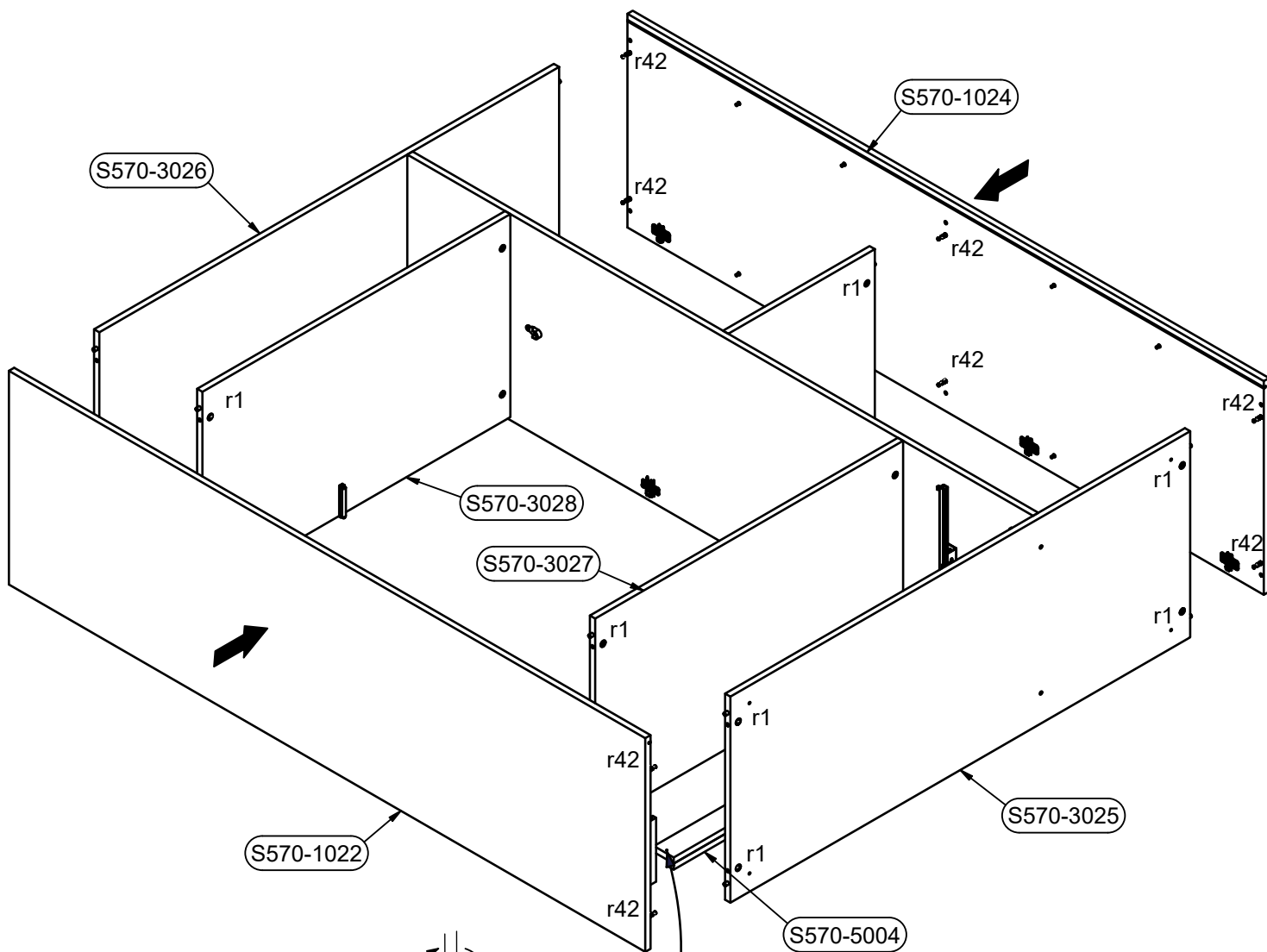
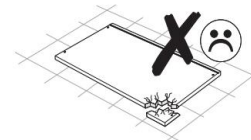
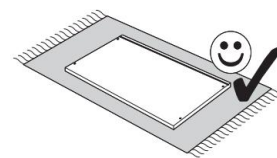
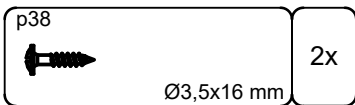
p38		2x
Ø3,5x16 mm		



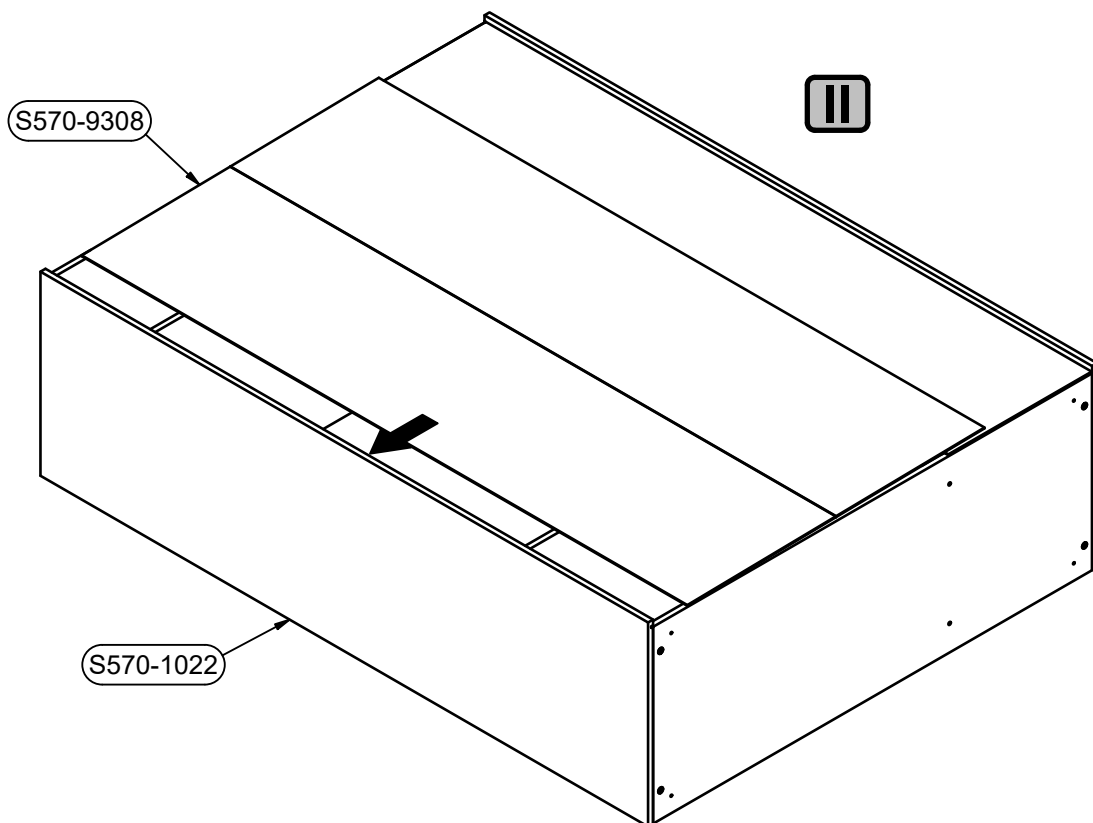
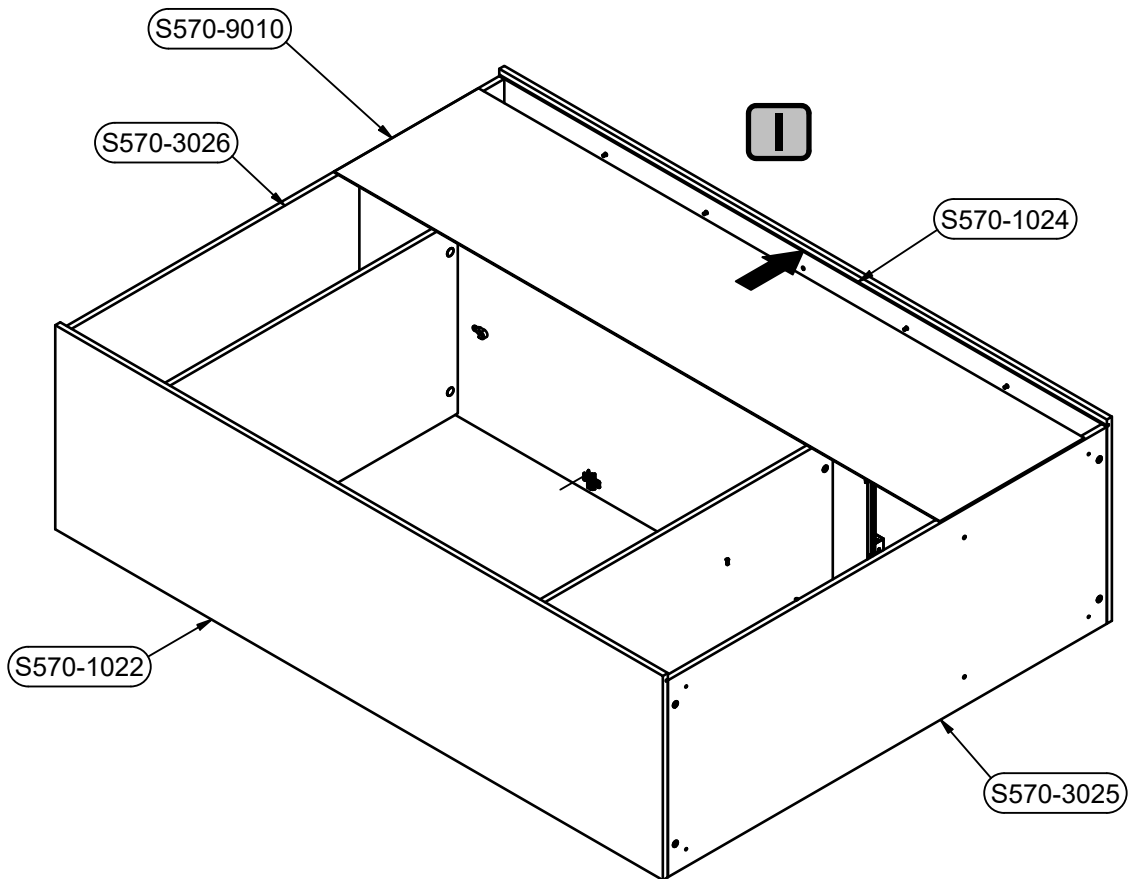
8



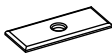
9




10




11 

n108	
------	---

10x

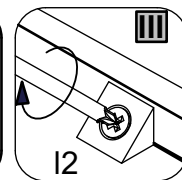
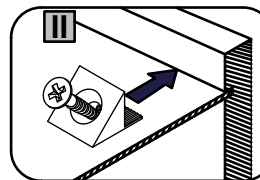
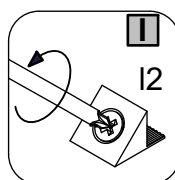
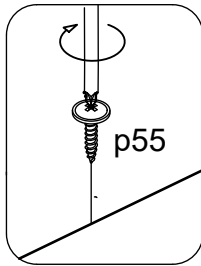
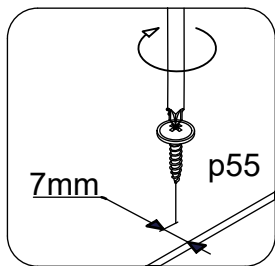
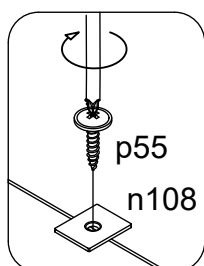
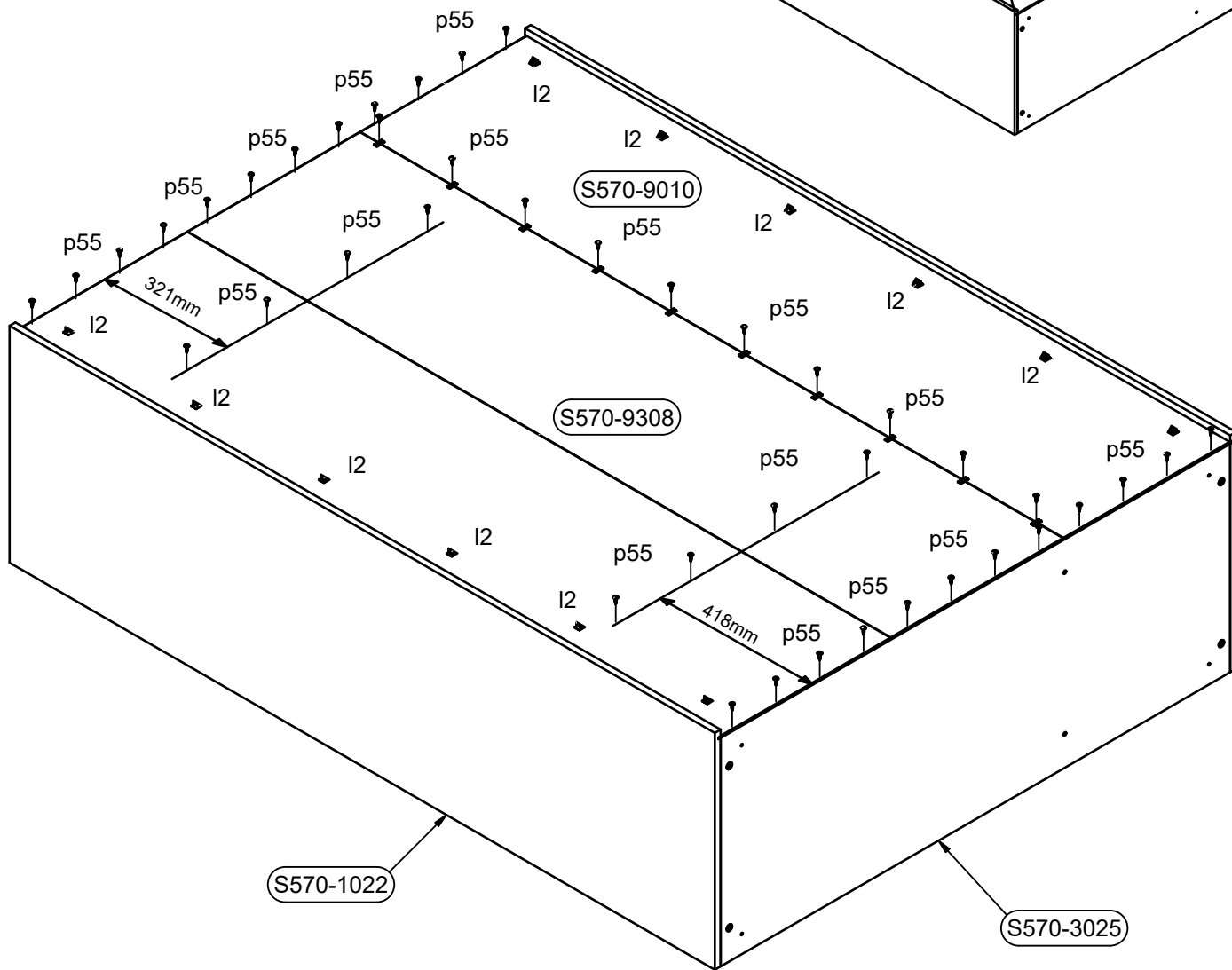
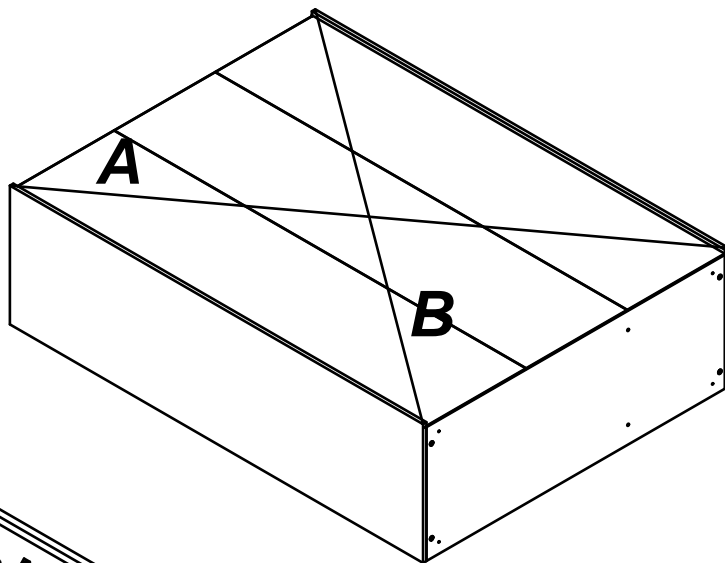
p55		2.9x16mm
-----	---	----------

42x

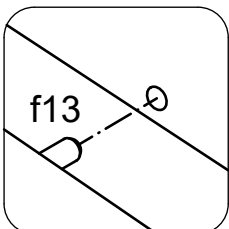
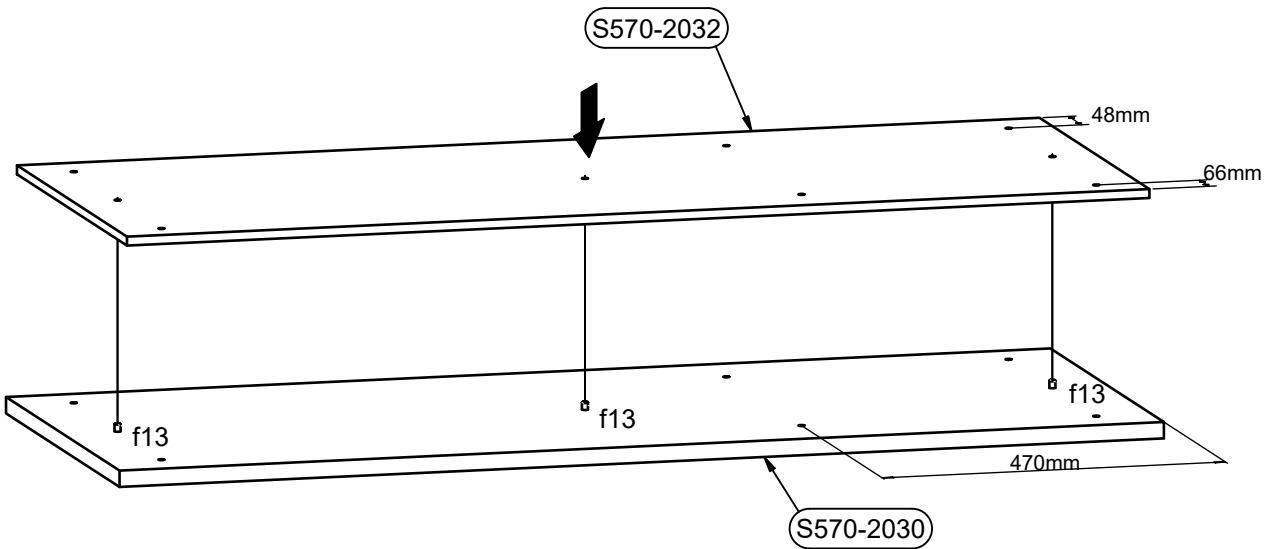
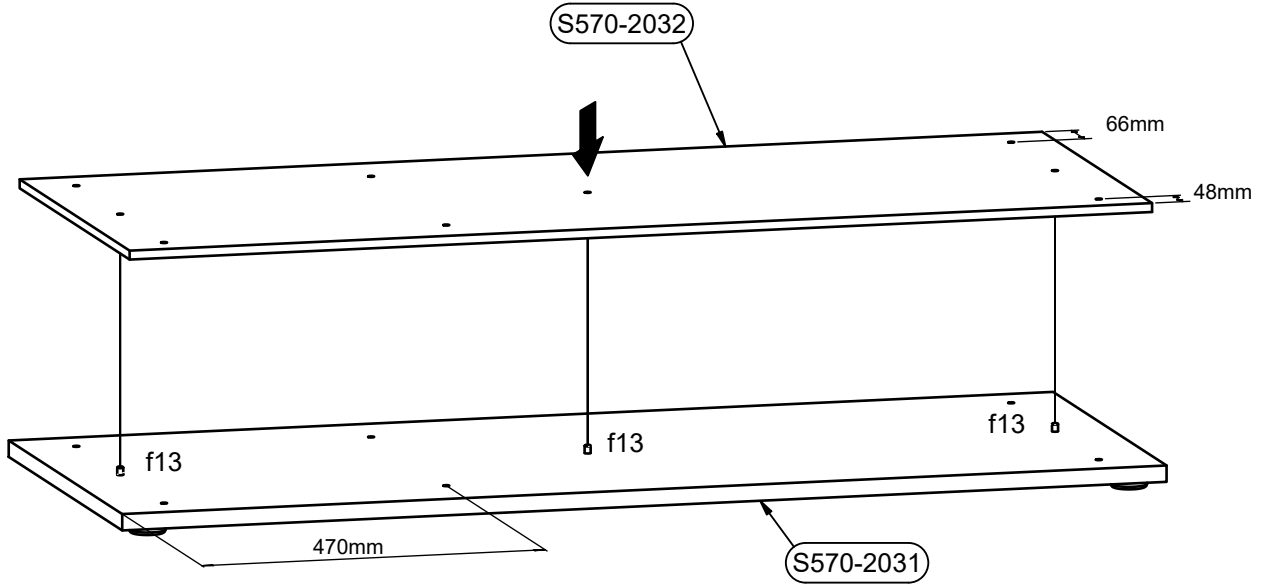
l2	
----	---

12x

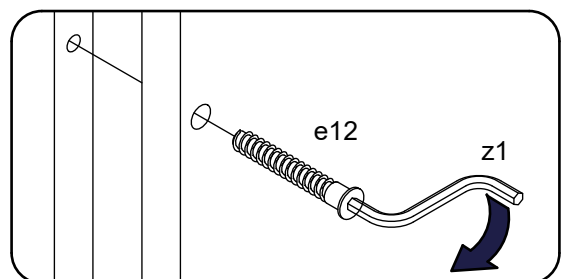
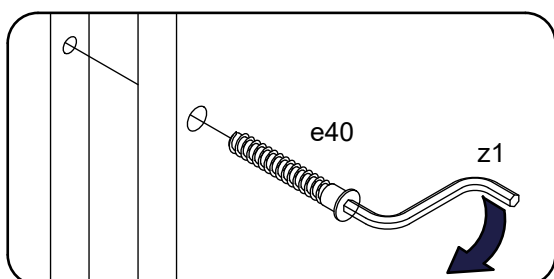
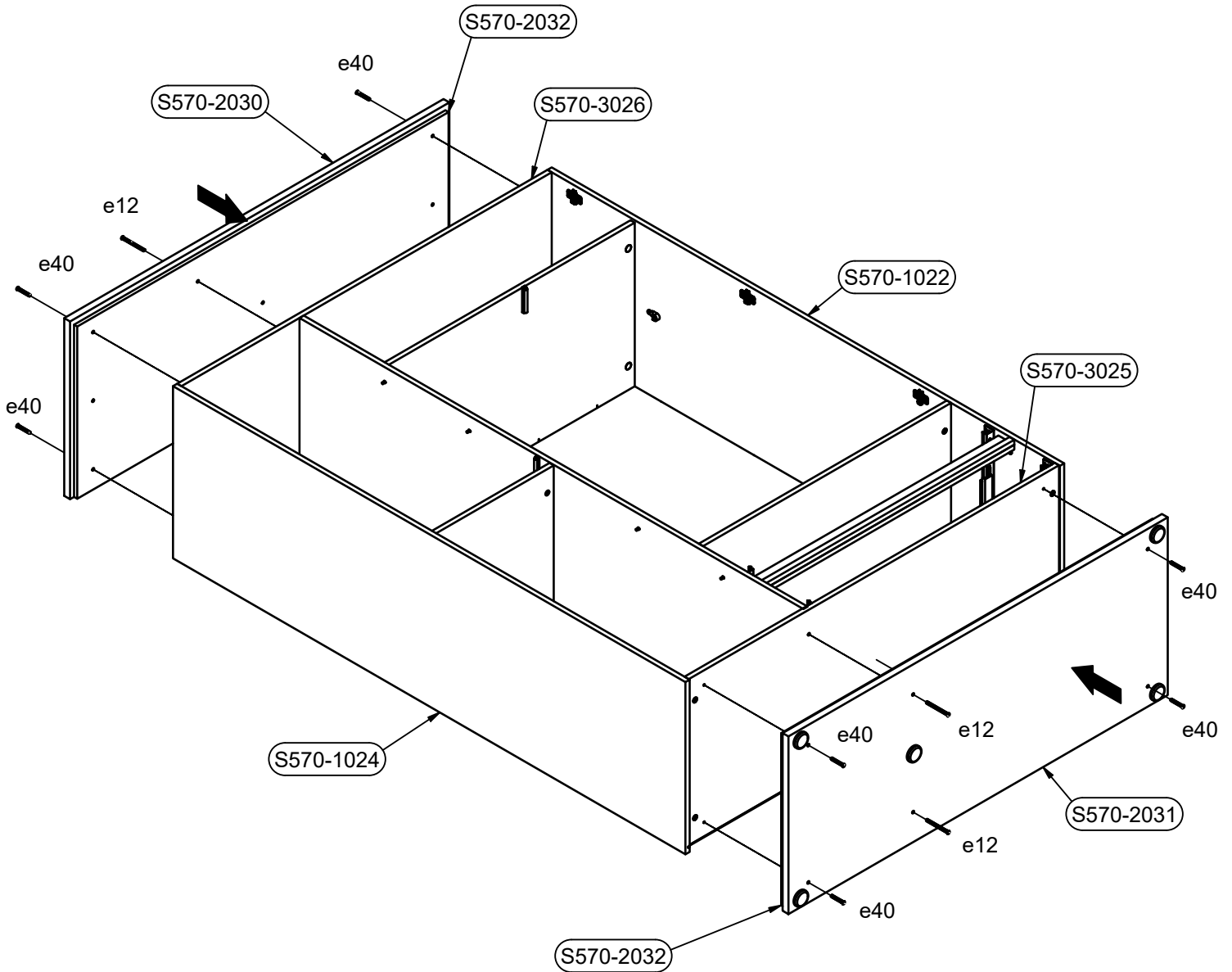
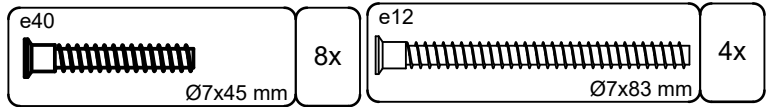
A=B



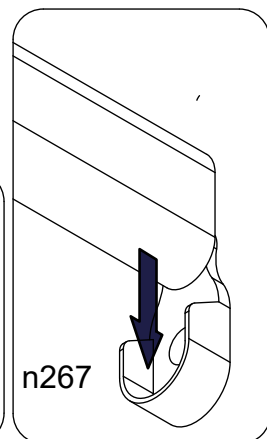
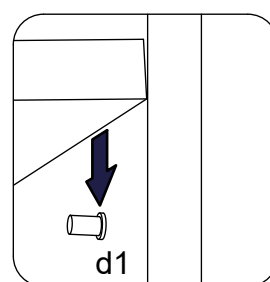
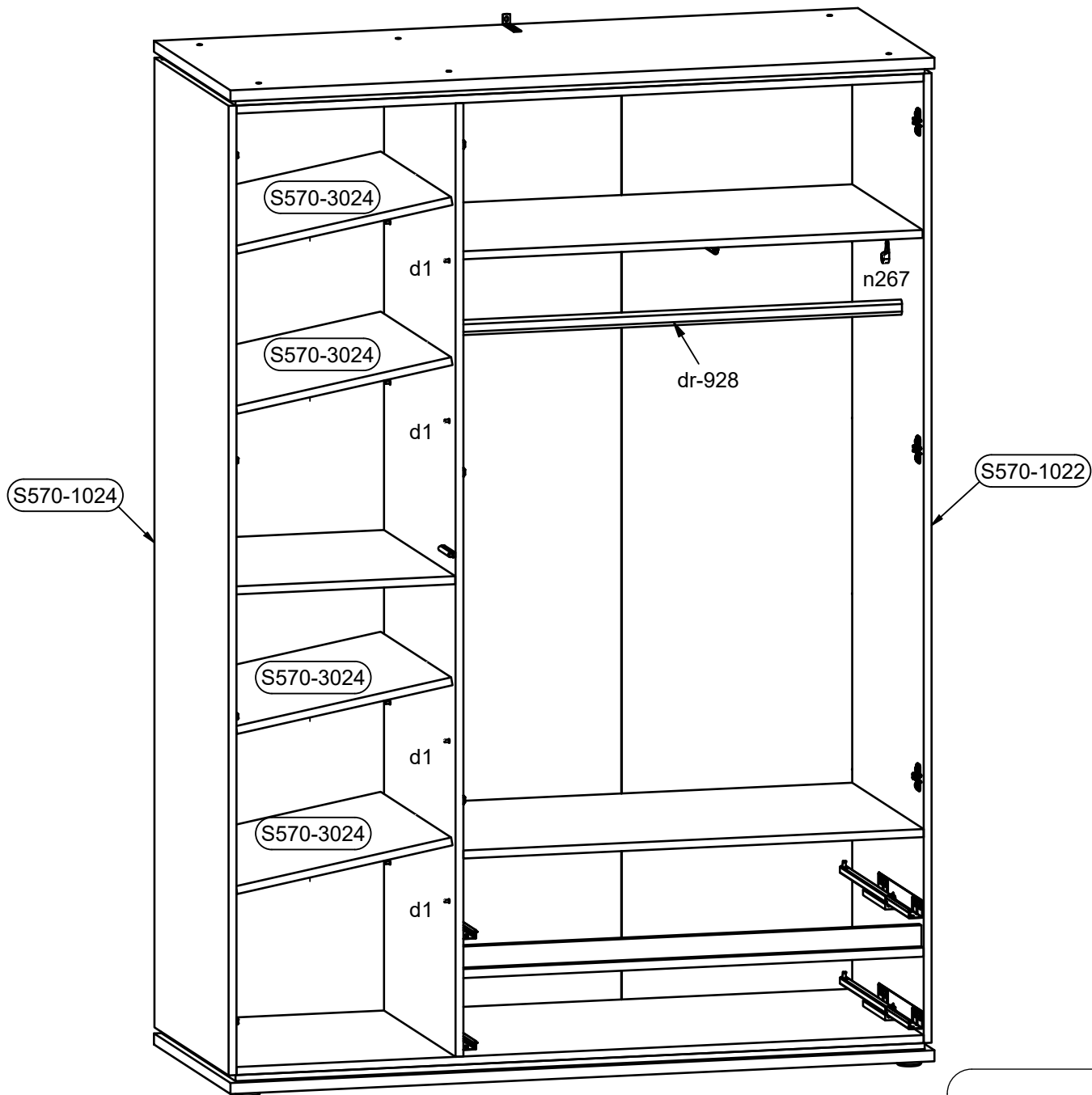
12 

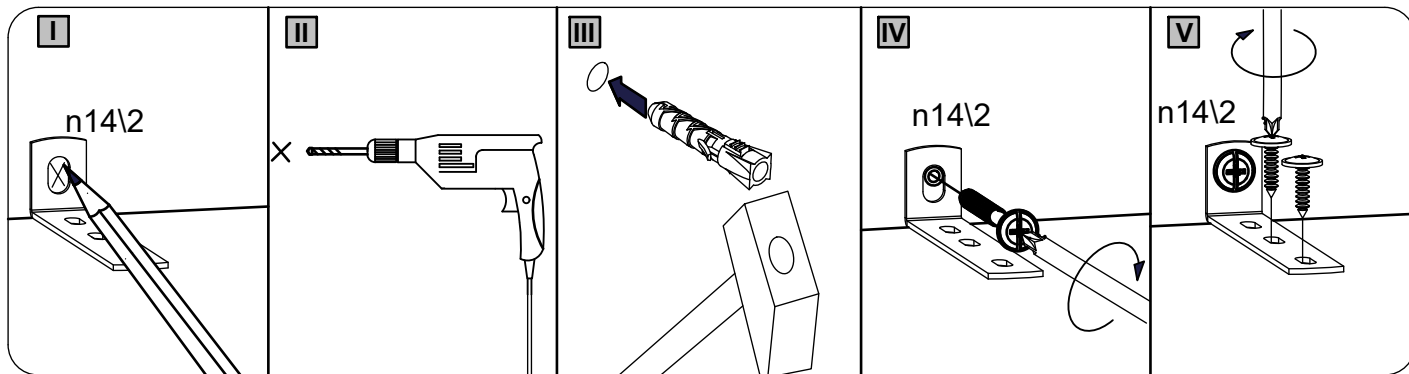
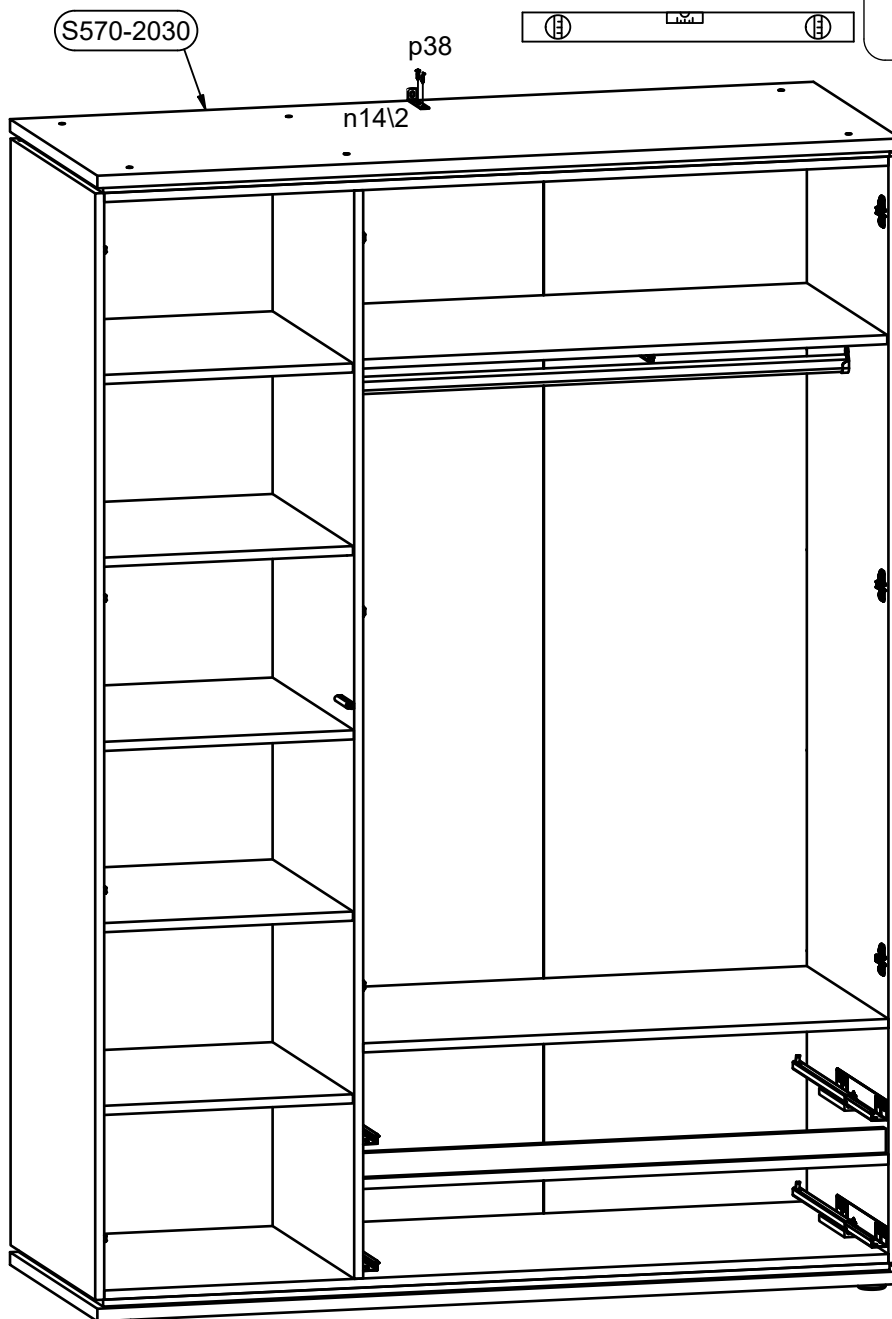
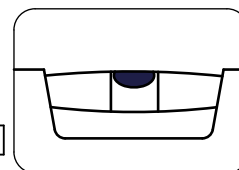
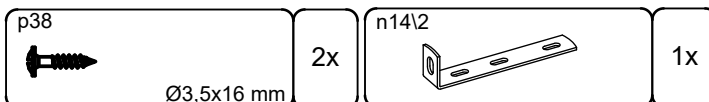
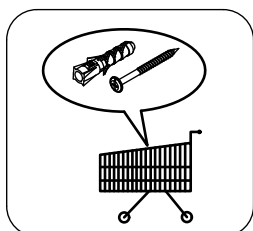


13



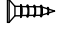


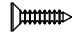
14 

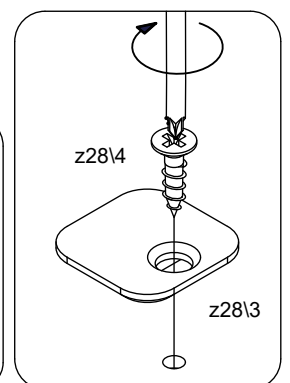
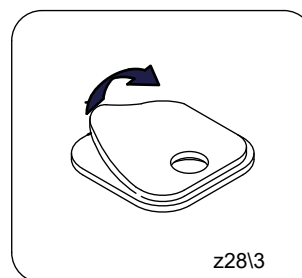
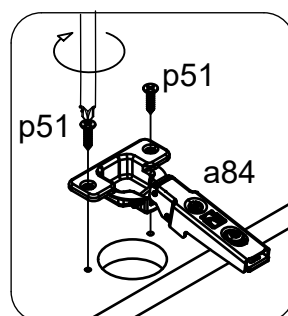
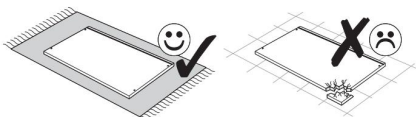
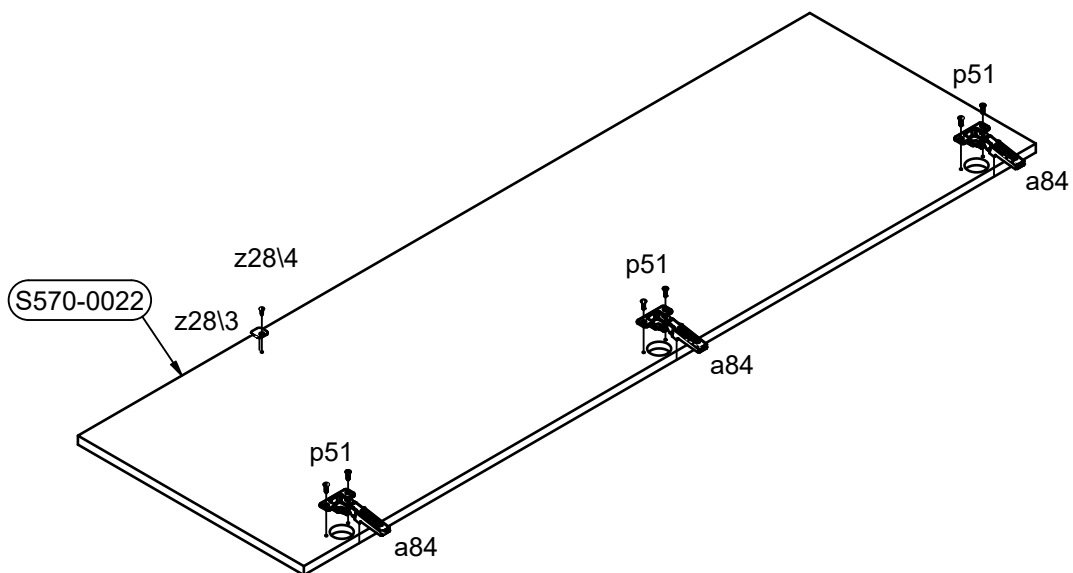
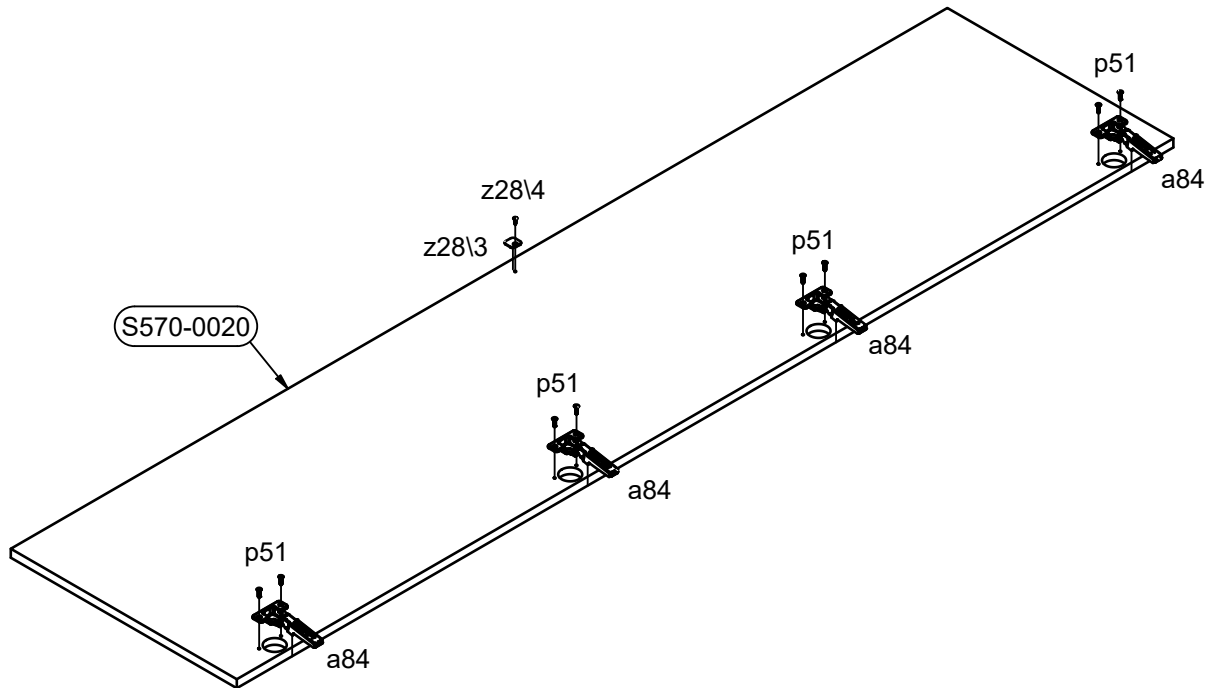


**15**

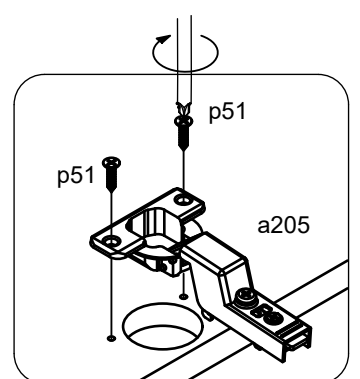
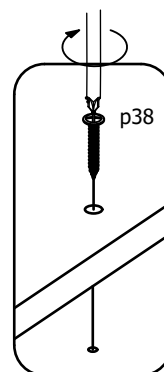
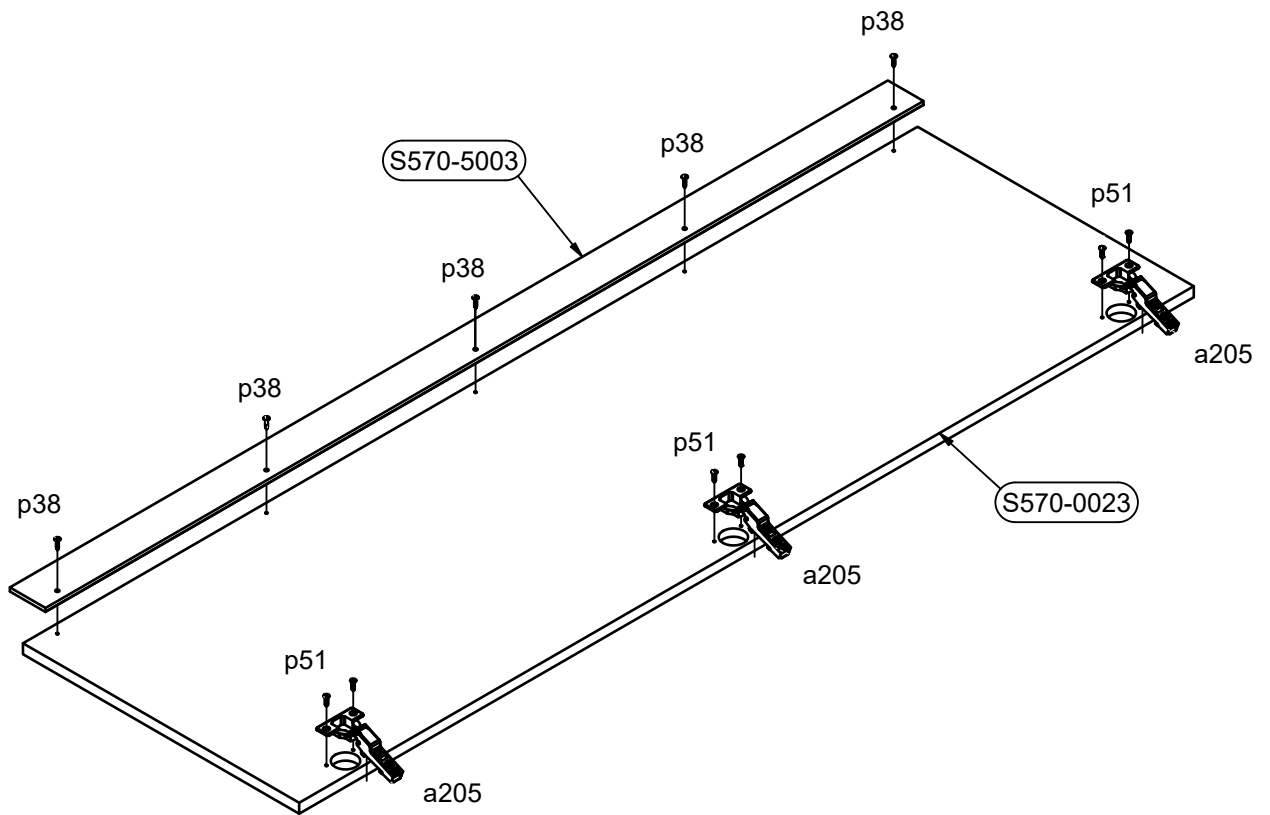
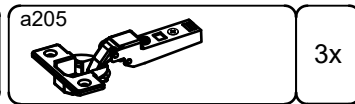
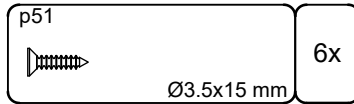
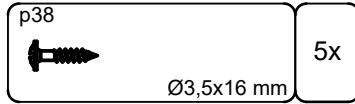
A**S570-SZF3D2S**

25 / 31

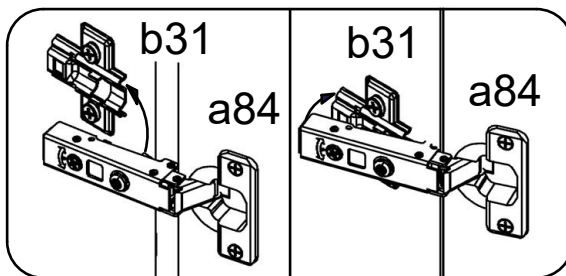
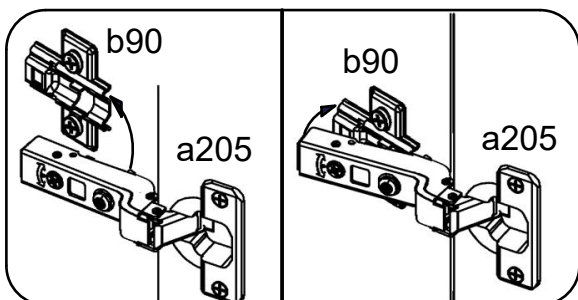
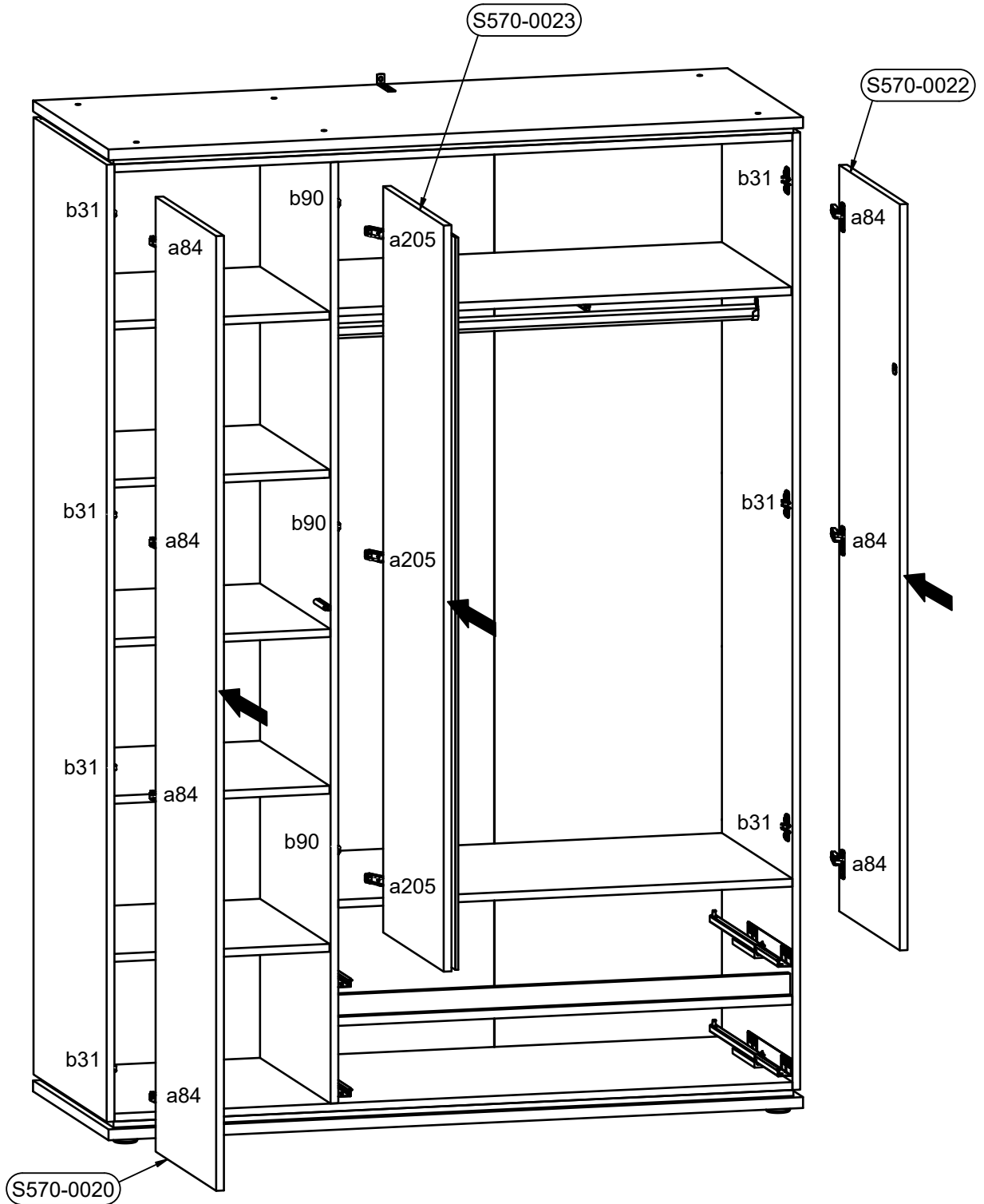
z28\4  3x12mm	2x	z28\3  2x	a84  7x	7x	p51  Ø3.5x15 mm	14x
---	----	--	---	----	--	-----

16

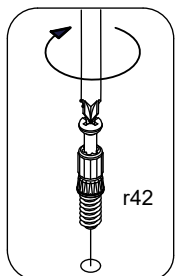
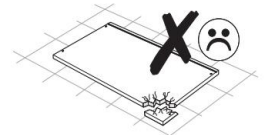
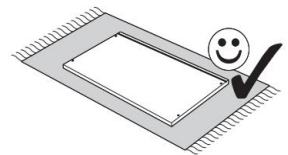
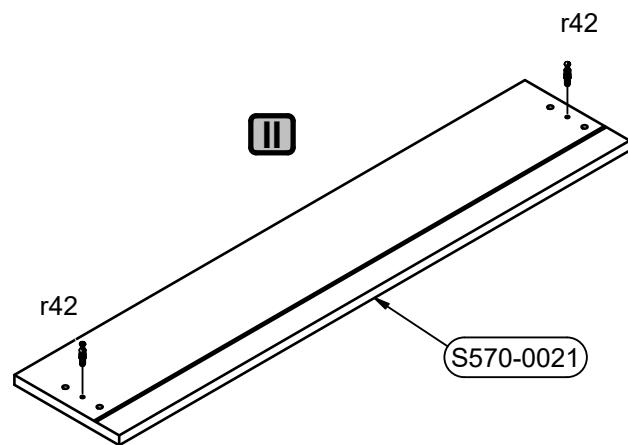
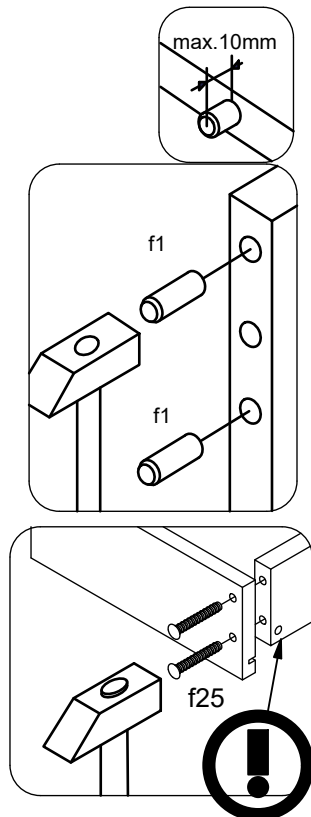
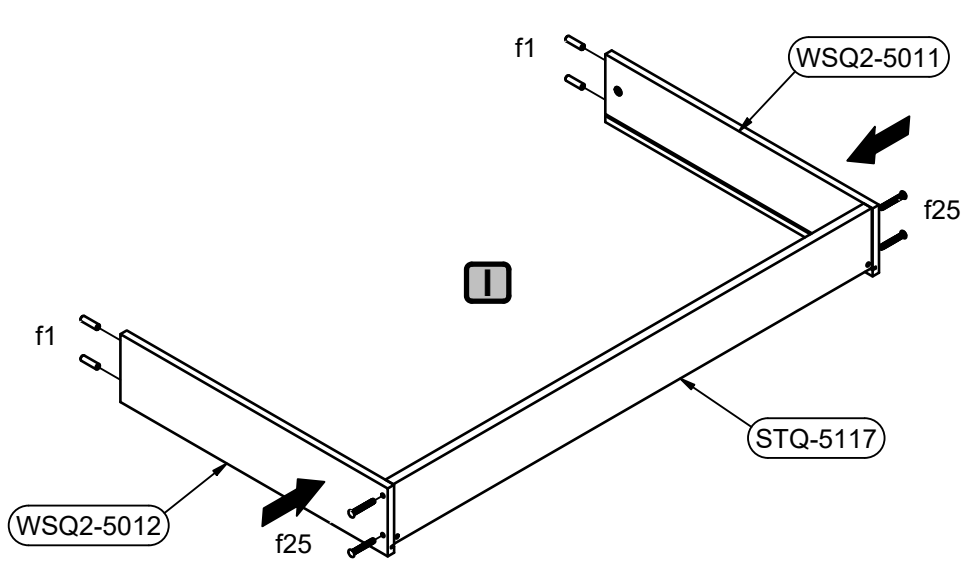
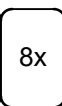
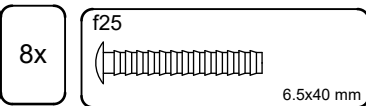
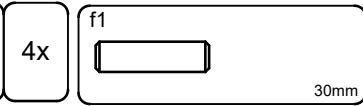
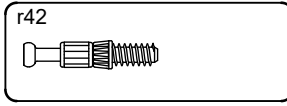
17

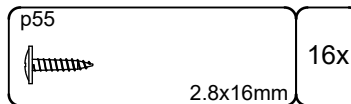
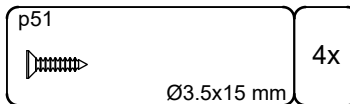
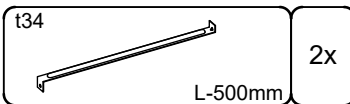
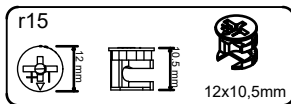


18

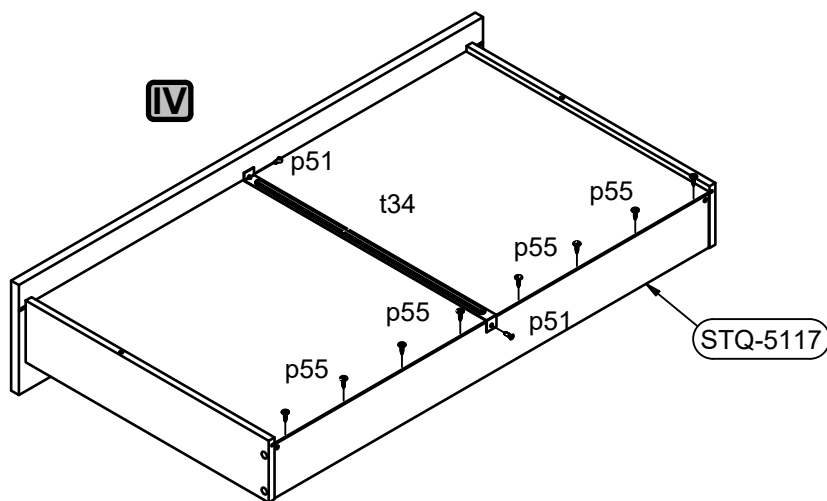
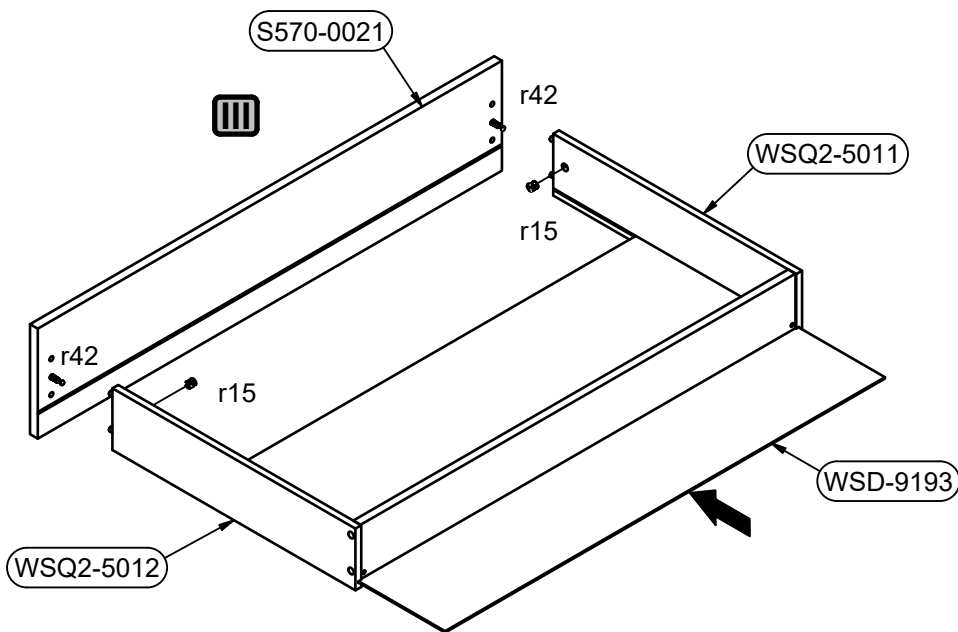
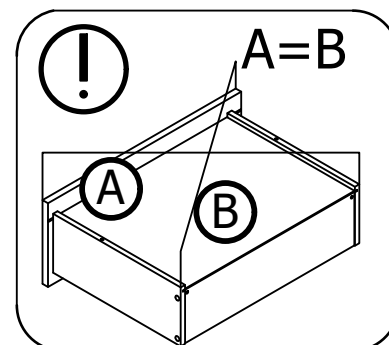
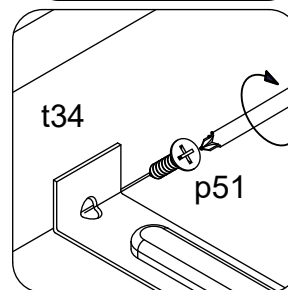
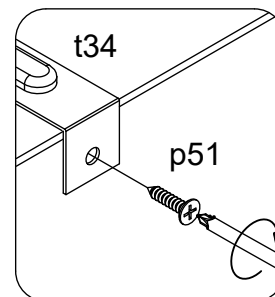
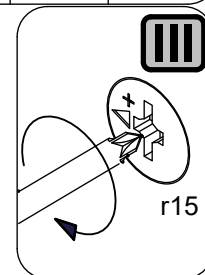
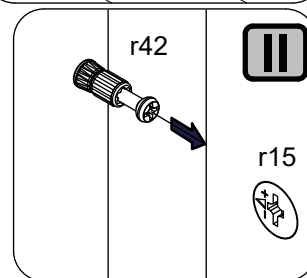
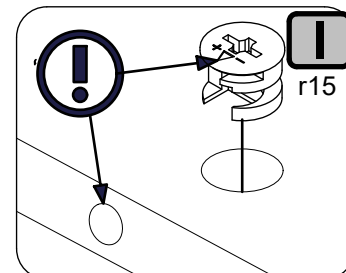


19
2x

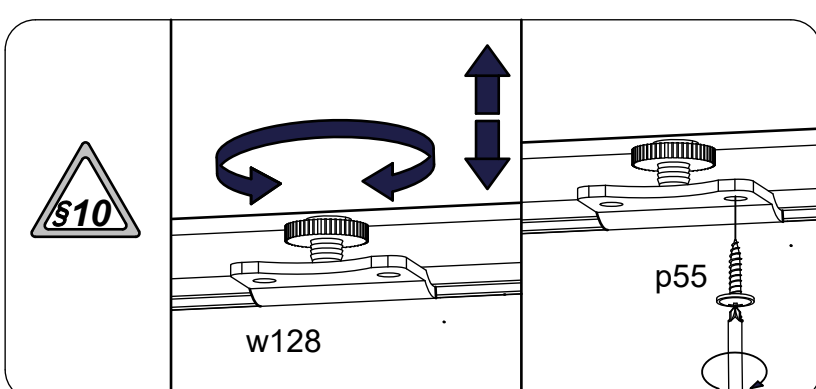
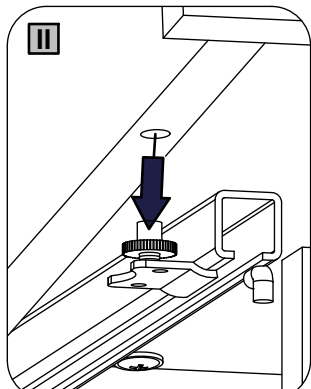
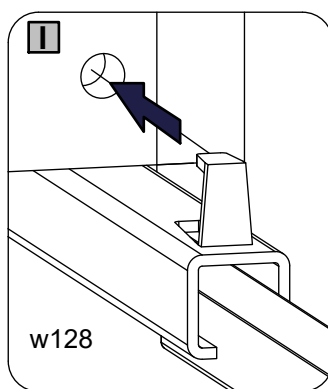
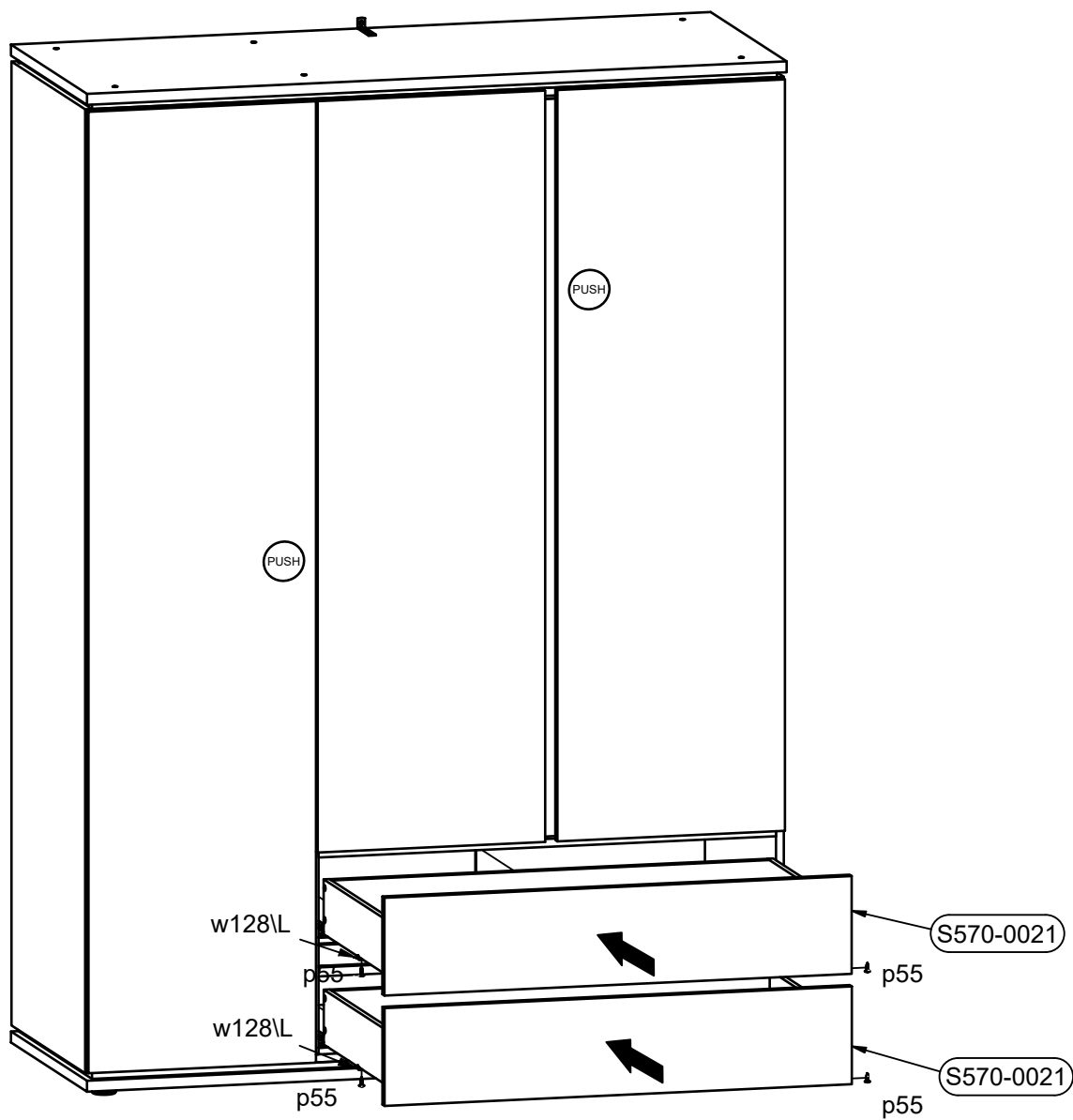




20



21



22

