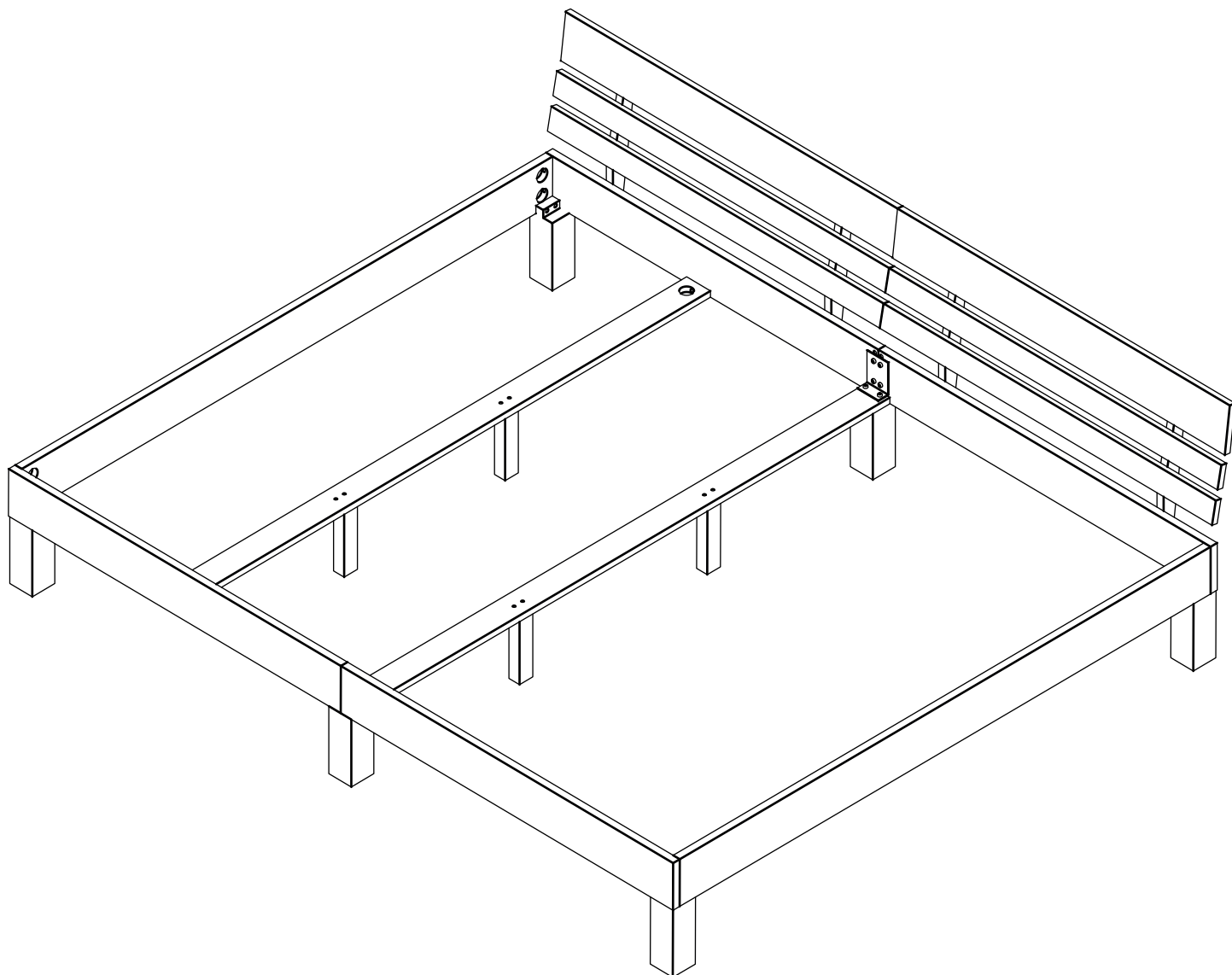
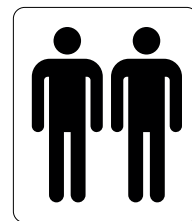
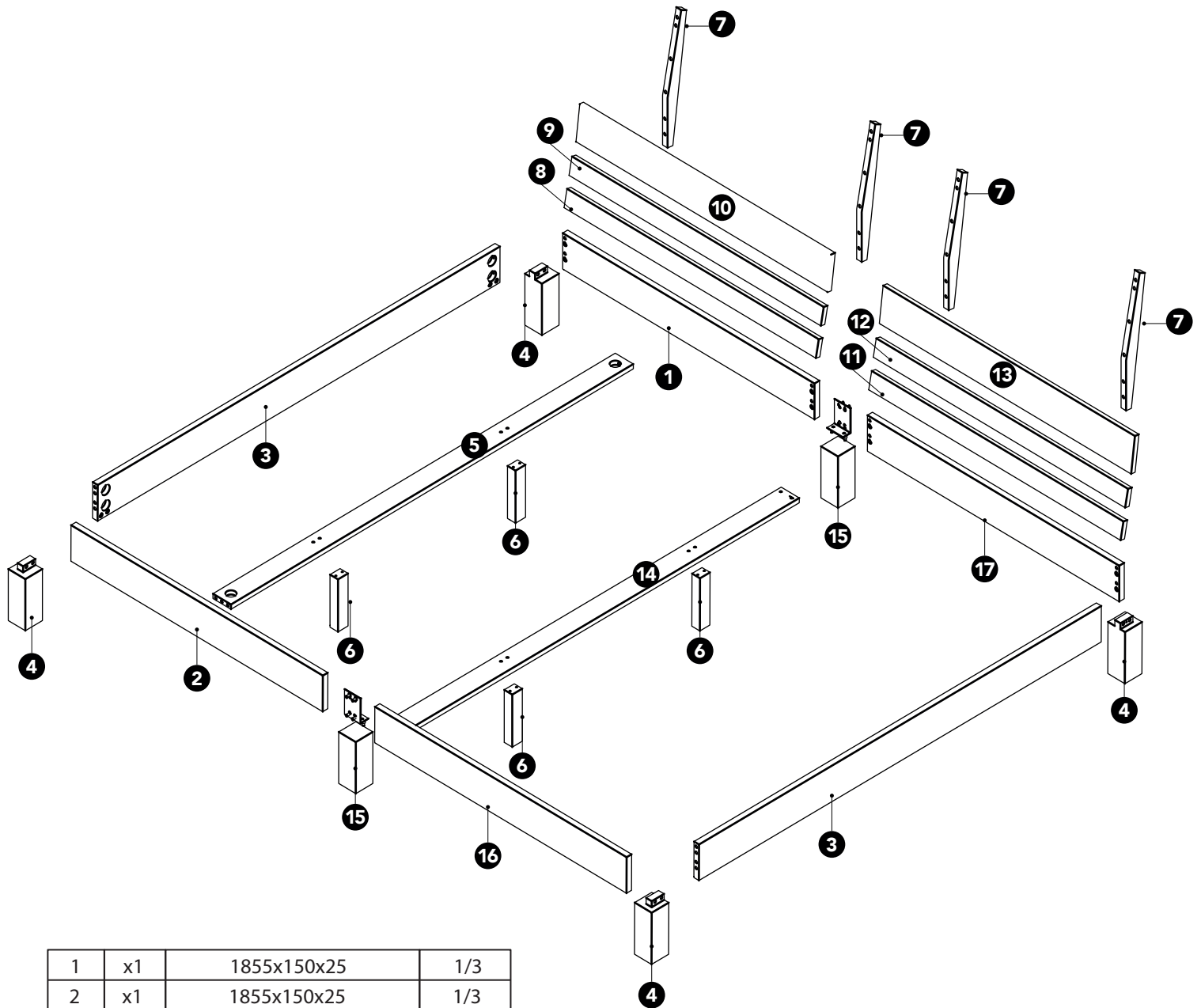


JULIA

270x200 cm(180x200 or 90x200)

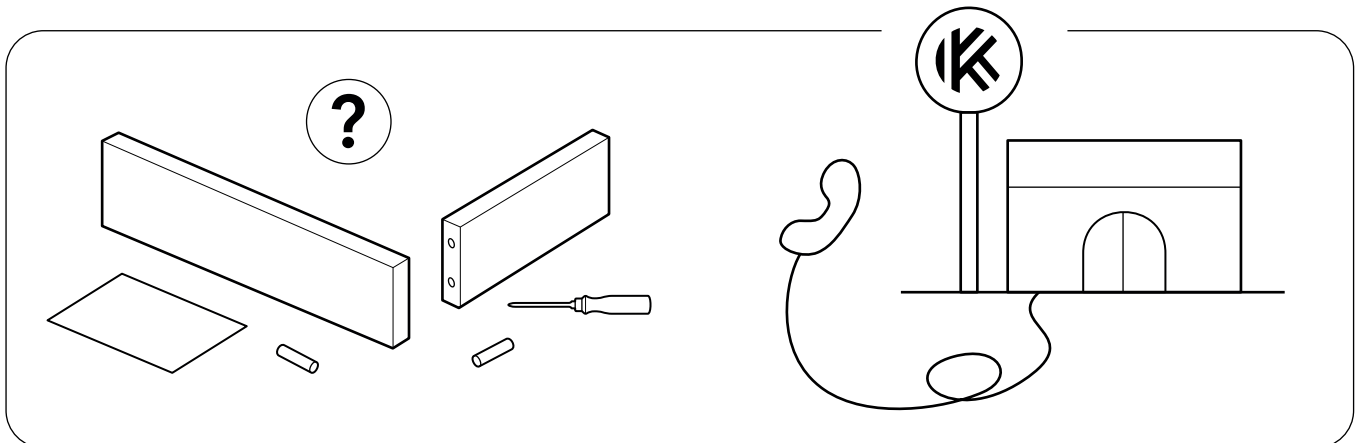
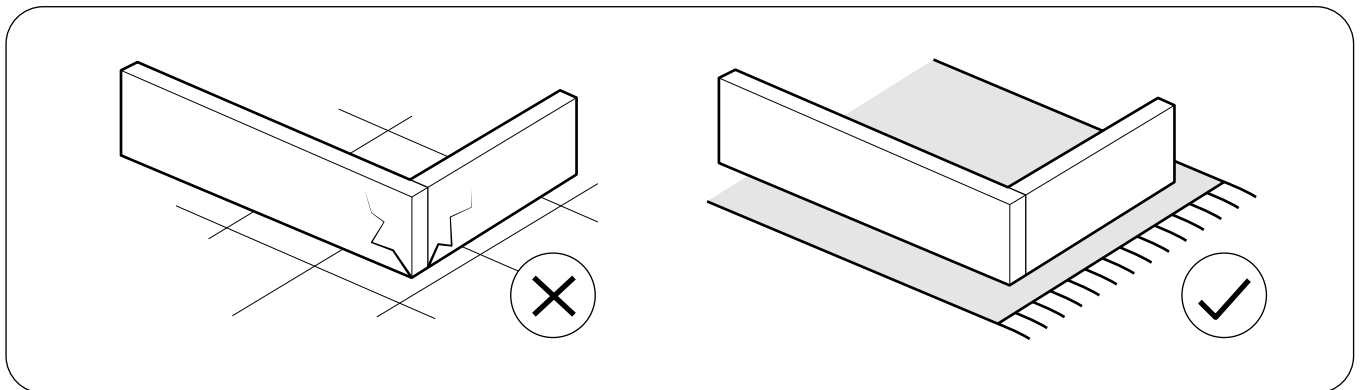
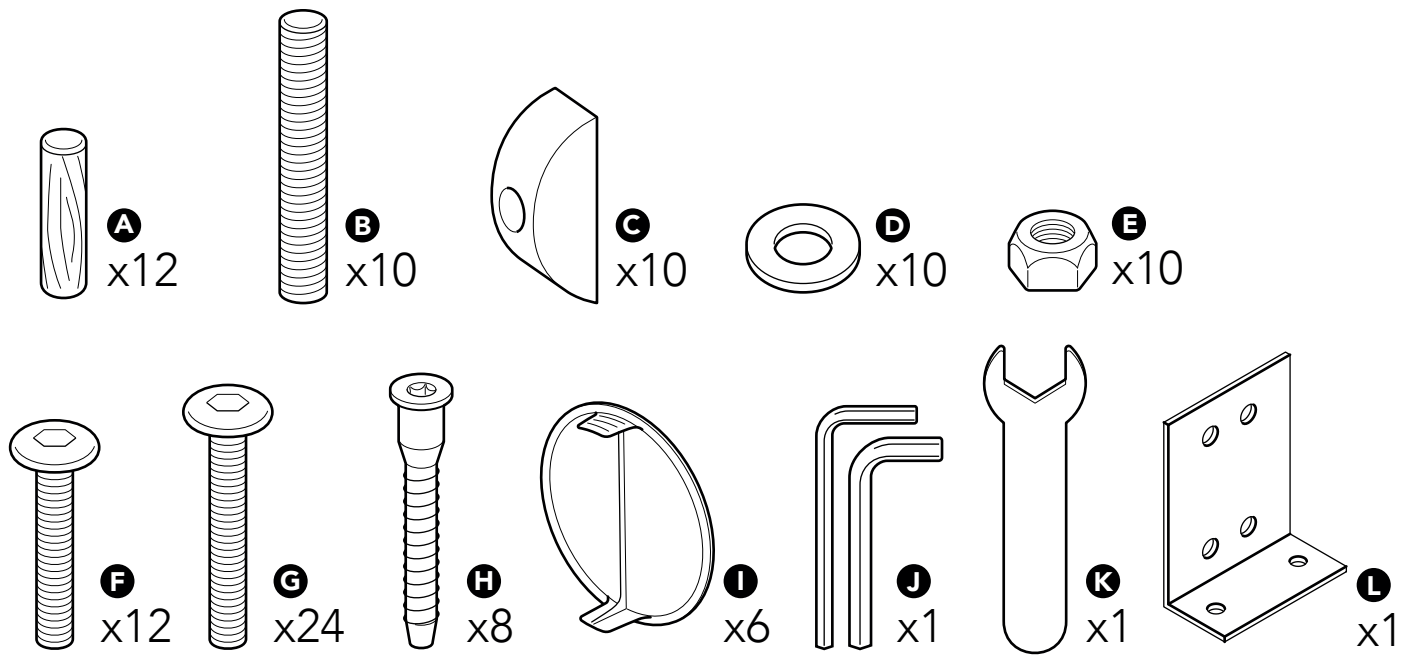


PLAN



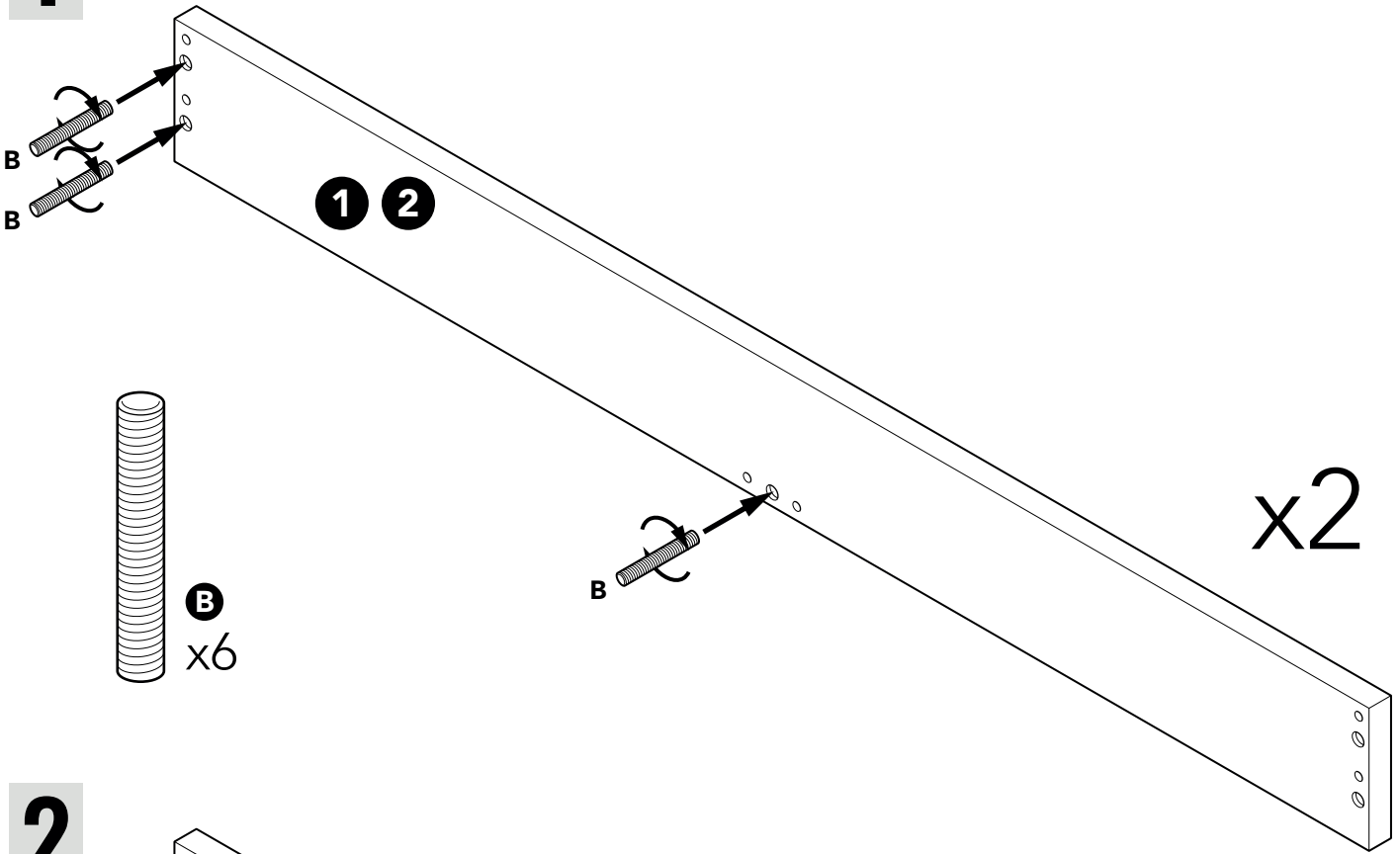
| | | | |
|----|----|-------------|-----|
| 1 | x1 | 1855x150x25 | 1/3 |
| 2 | x1 | 1855x150x25 | 1/3 |
| 3 | x2 | 2005x150x25 | 1/3 |
| 4 | x4 | 240x85x85 | 3/3 |
| 5 | x1 | 2005x90x25 | 1/3 |
| 6 | x4 | 215x50x40 | 1/3 |
| 7 | x4 | 545x60x20 | 1/3 |
| 8 | x1 | 1855x73x20 | 1/3 |
| 9 | x1 | 1855x73x20 | 1/3 |
| 10 | x1 | 1855x150x20 | 1/3 |
| 11 | x1 | 955x73x20 | 2/3 |
| 12 | x1 | 955x73x20 | 2/3 |
| 13 | x4 | 955x150x20 | 2/3 |
| 14 | x1 | 2000x90x20 | 1/3 |
| 15 | x2 | 215x85x85 | 2/3 |
| 16 | x1 | 955x150x25 | 2/3 |
| 17 | x1 | 955x150x25 | 2/3 |

INCLUDED

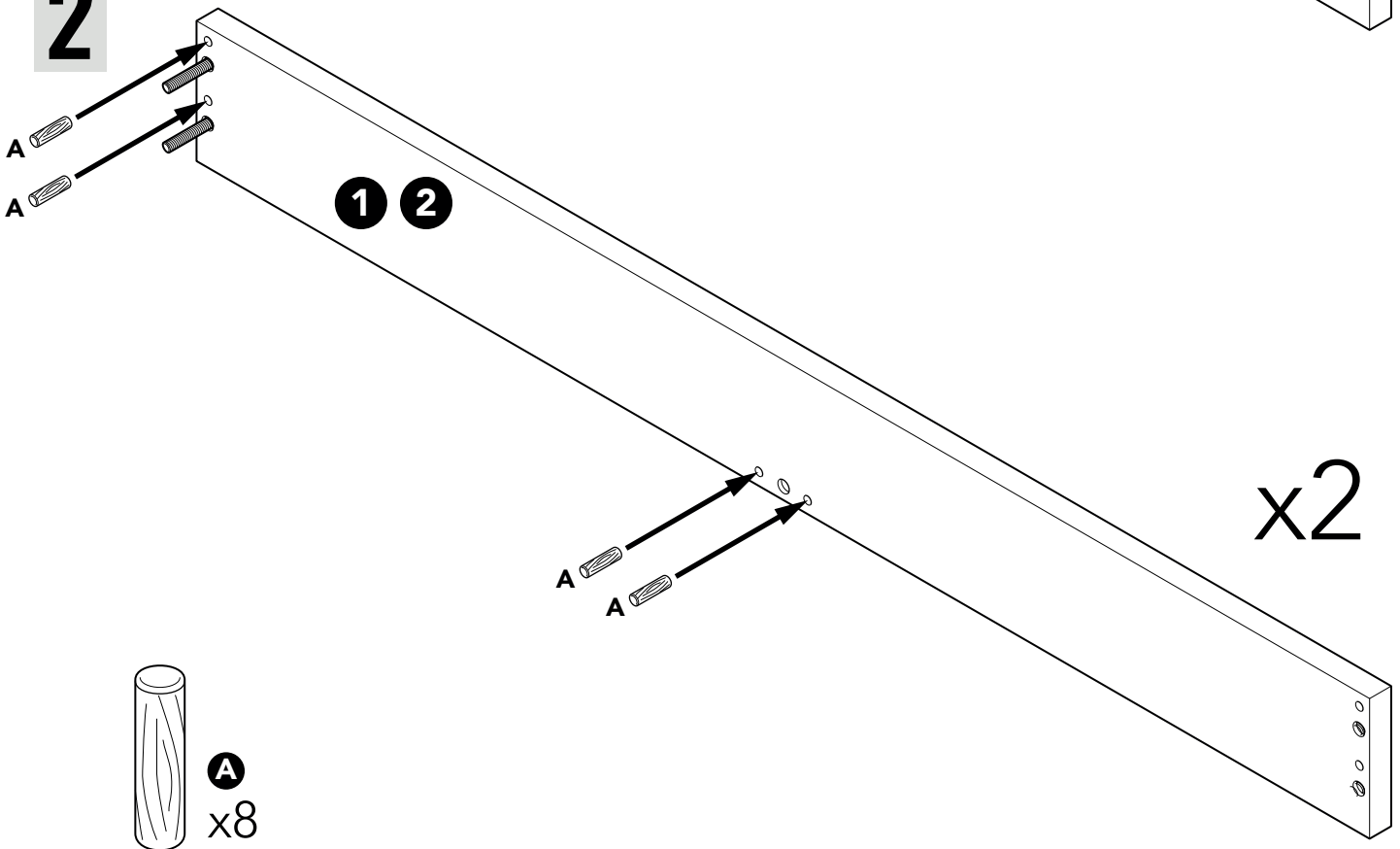


ASSEMBLY

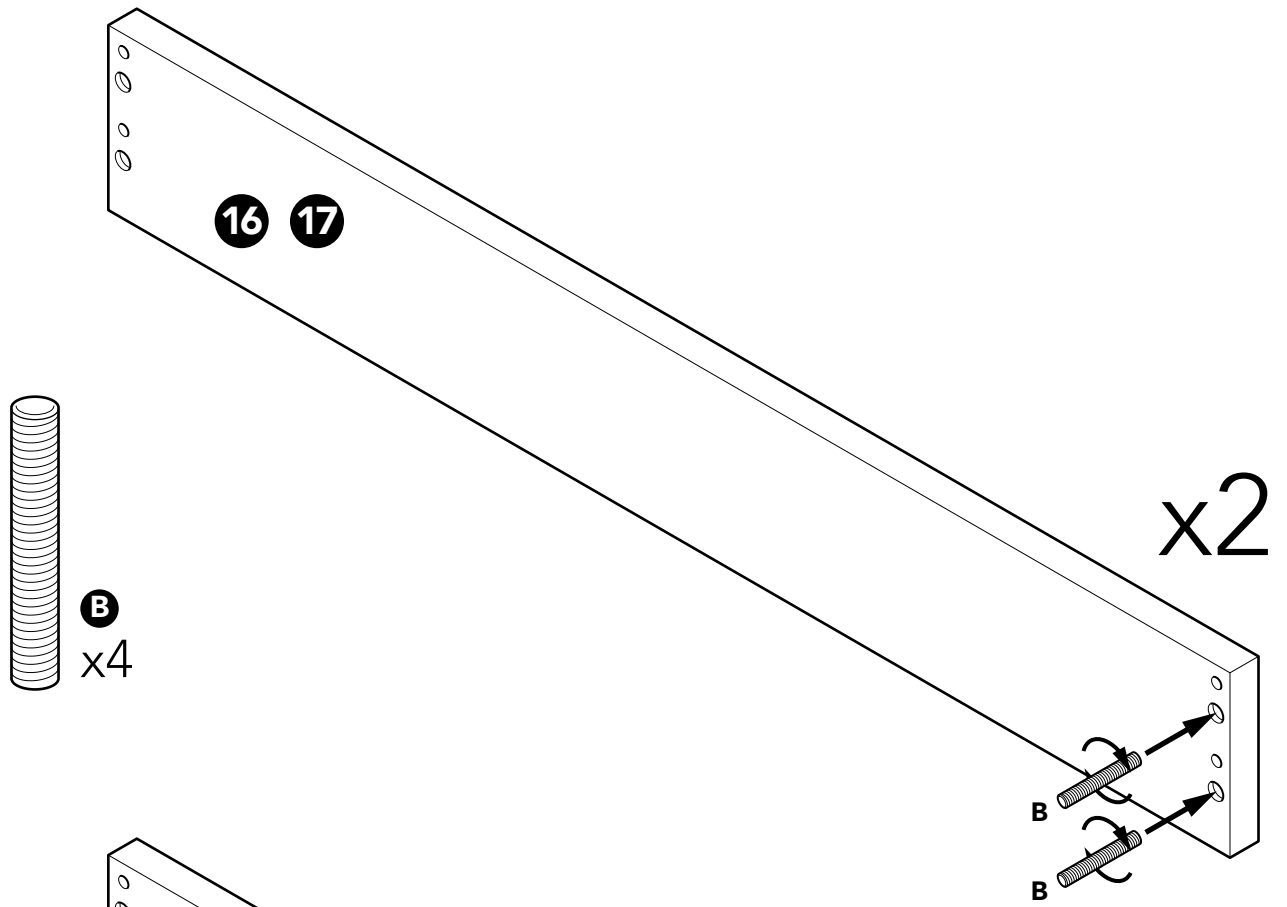
1



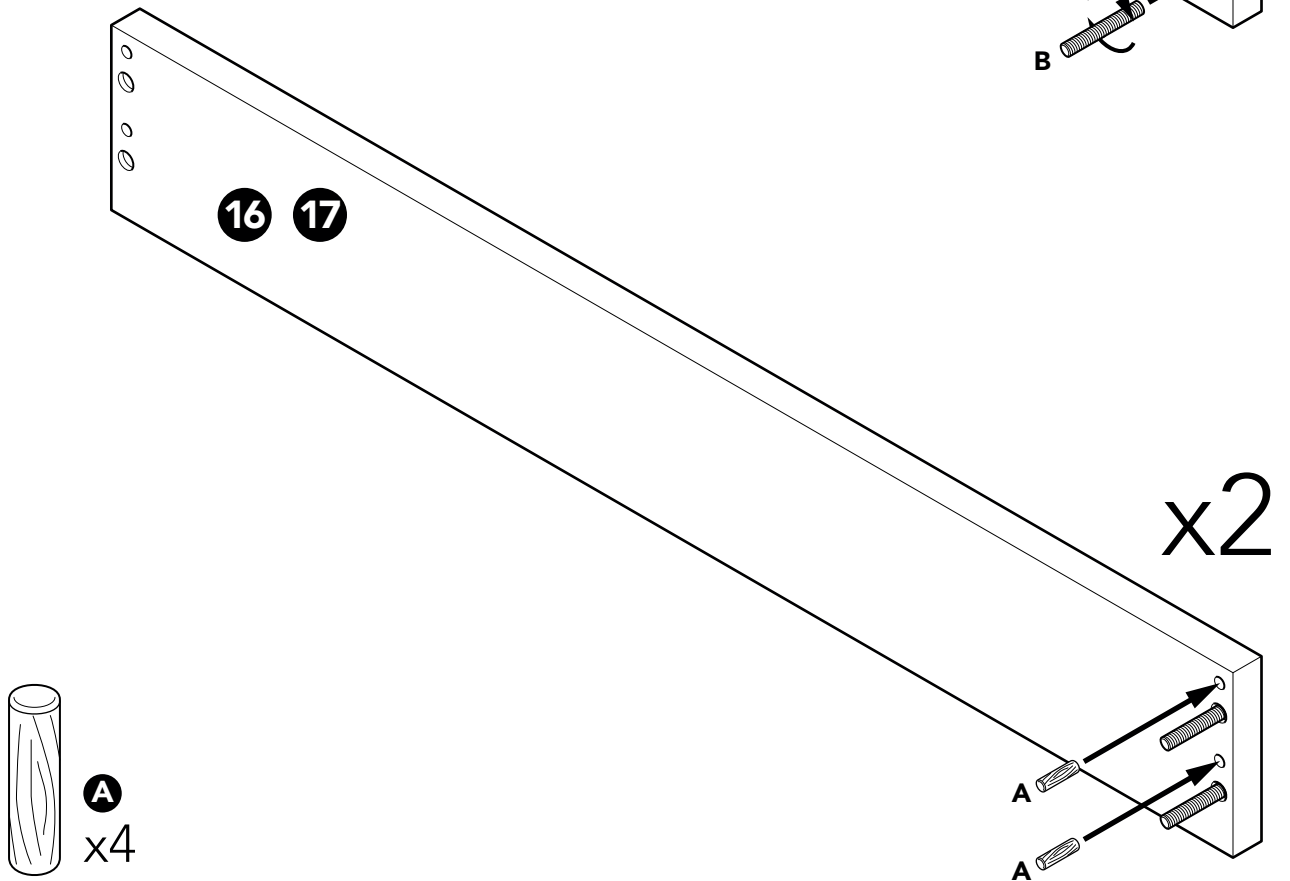
2



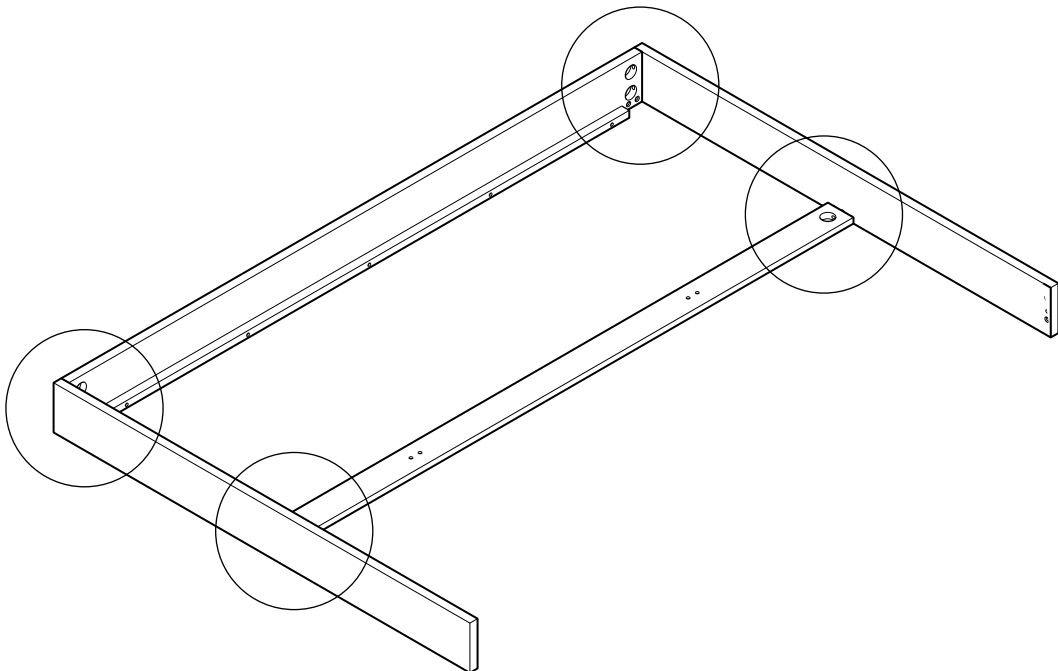
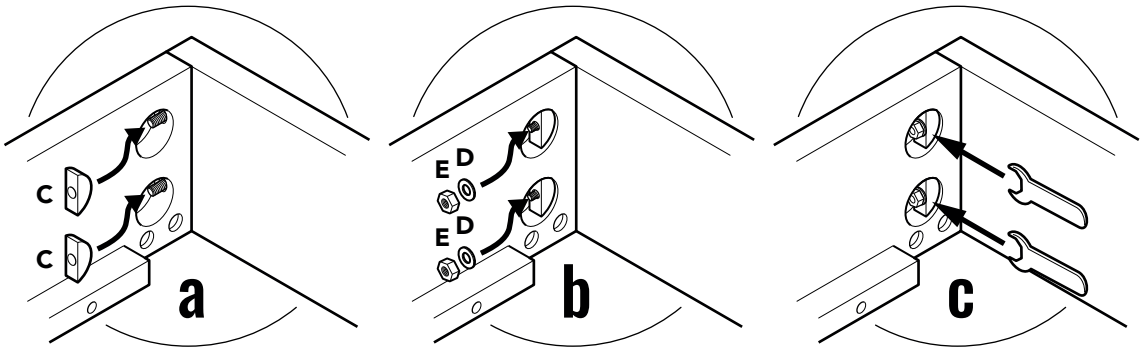
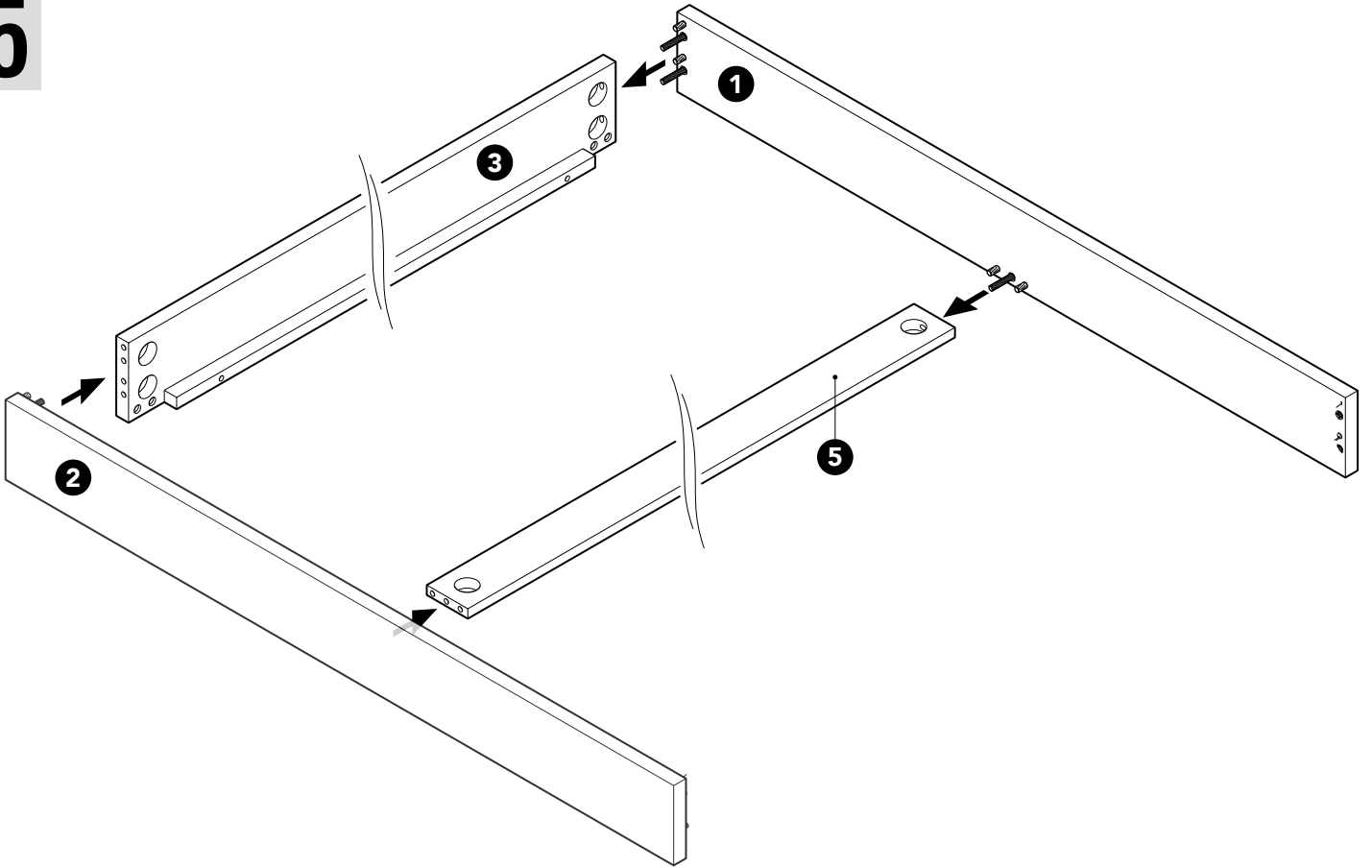
3



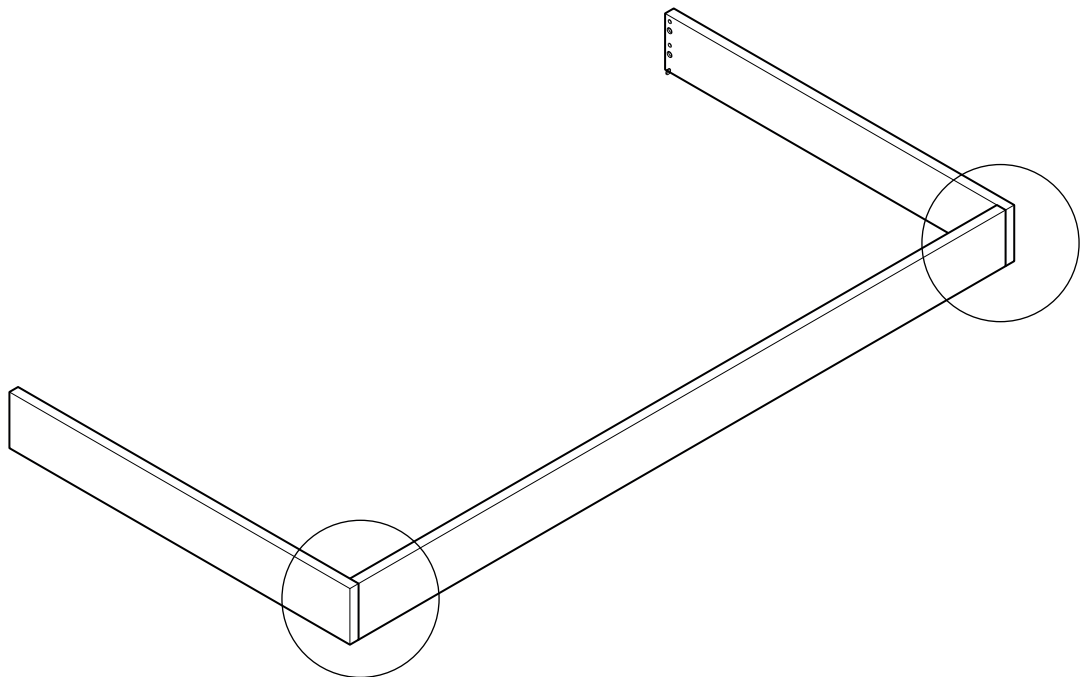
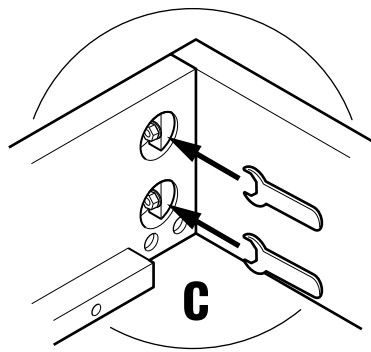
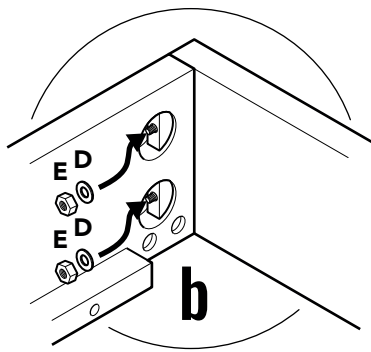
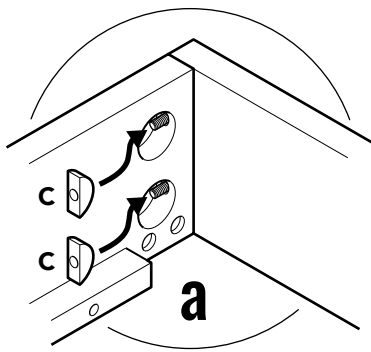
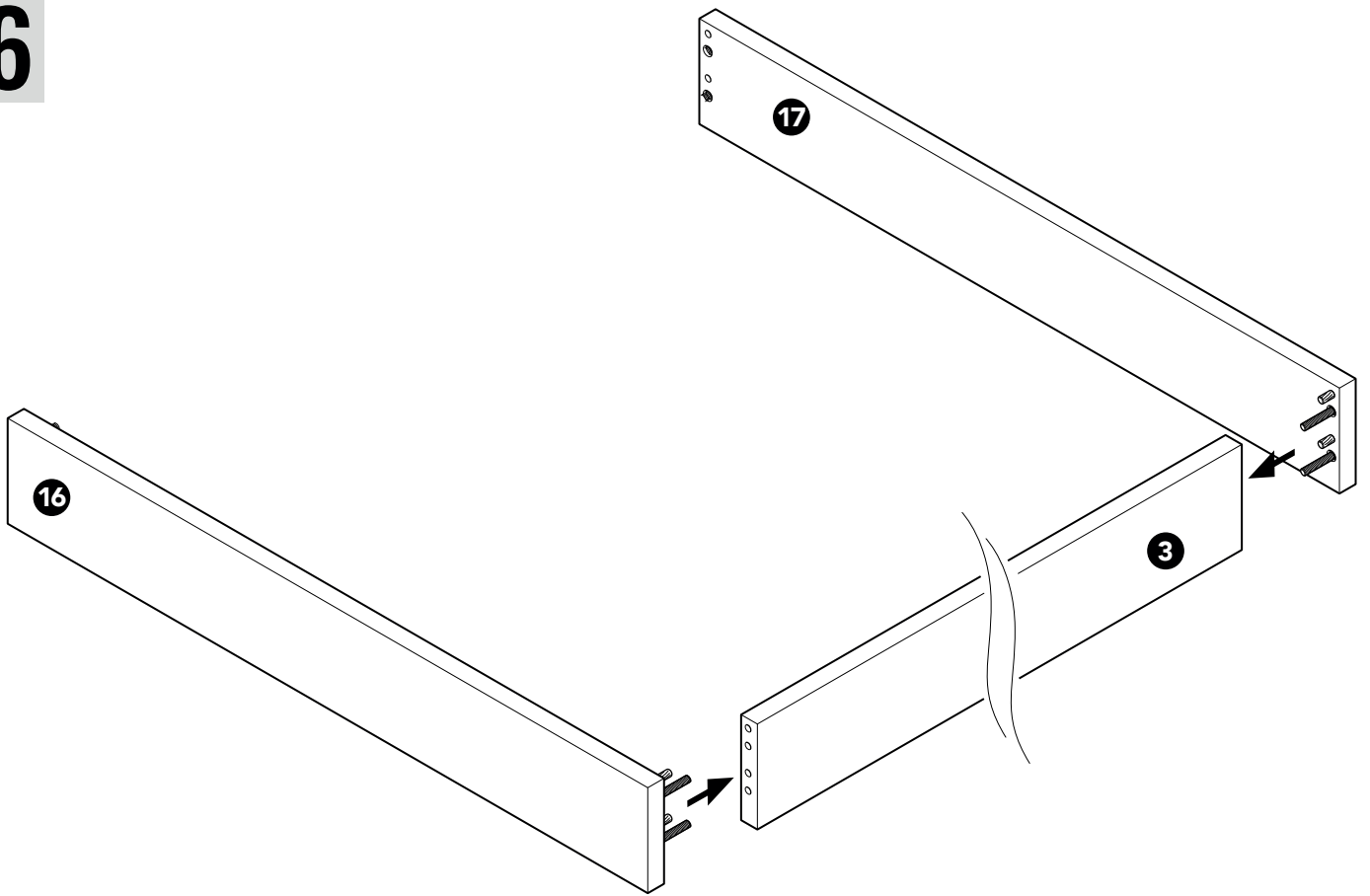
4



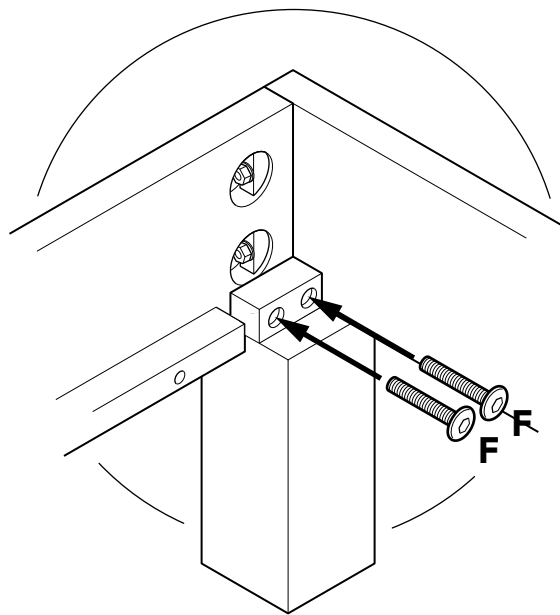
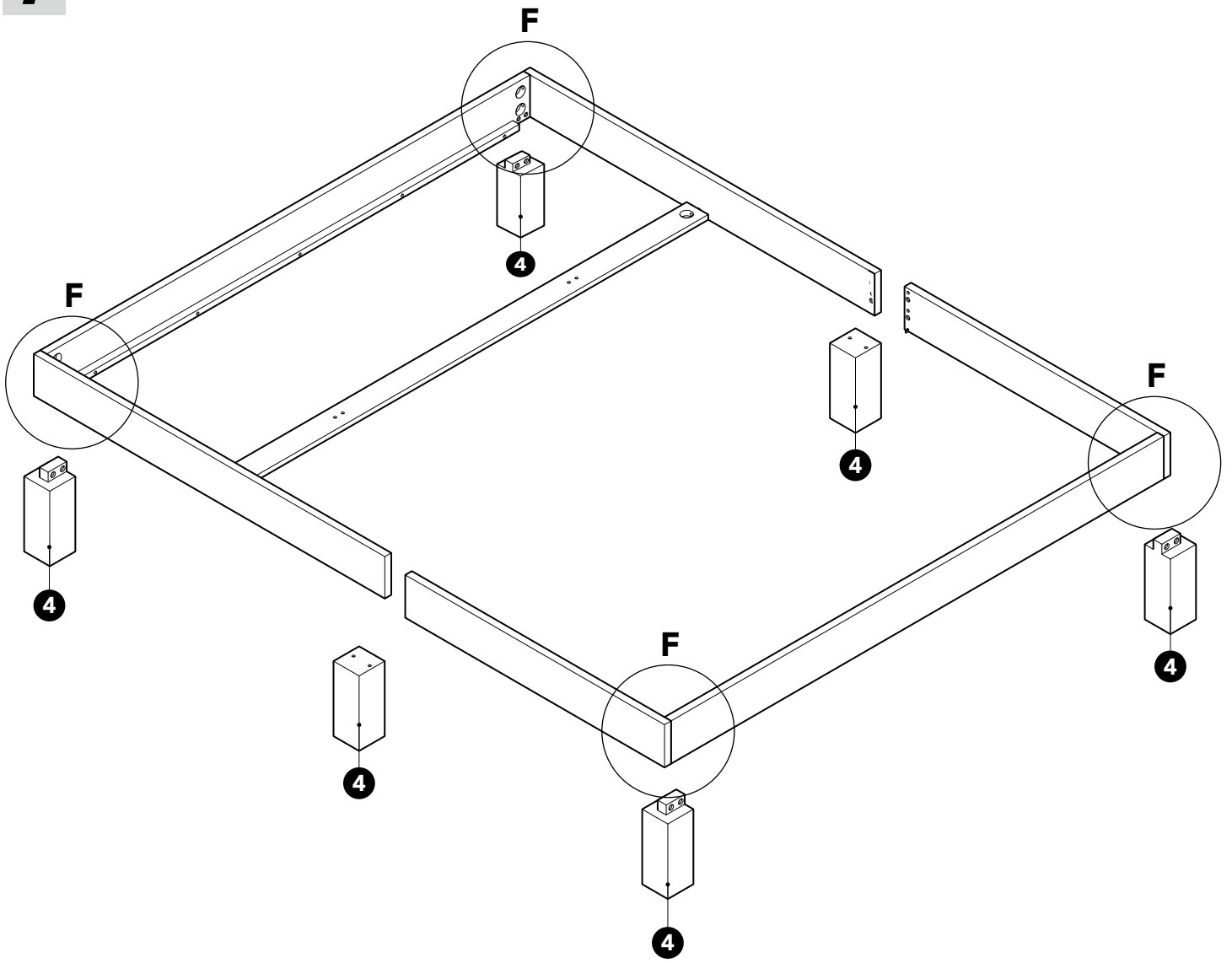
5



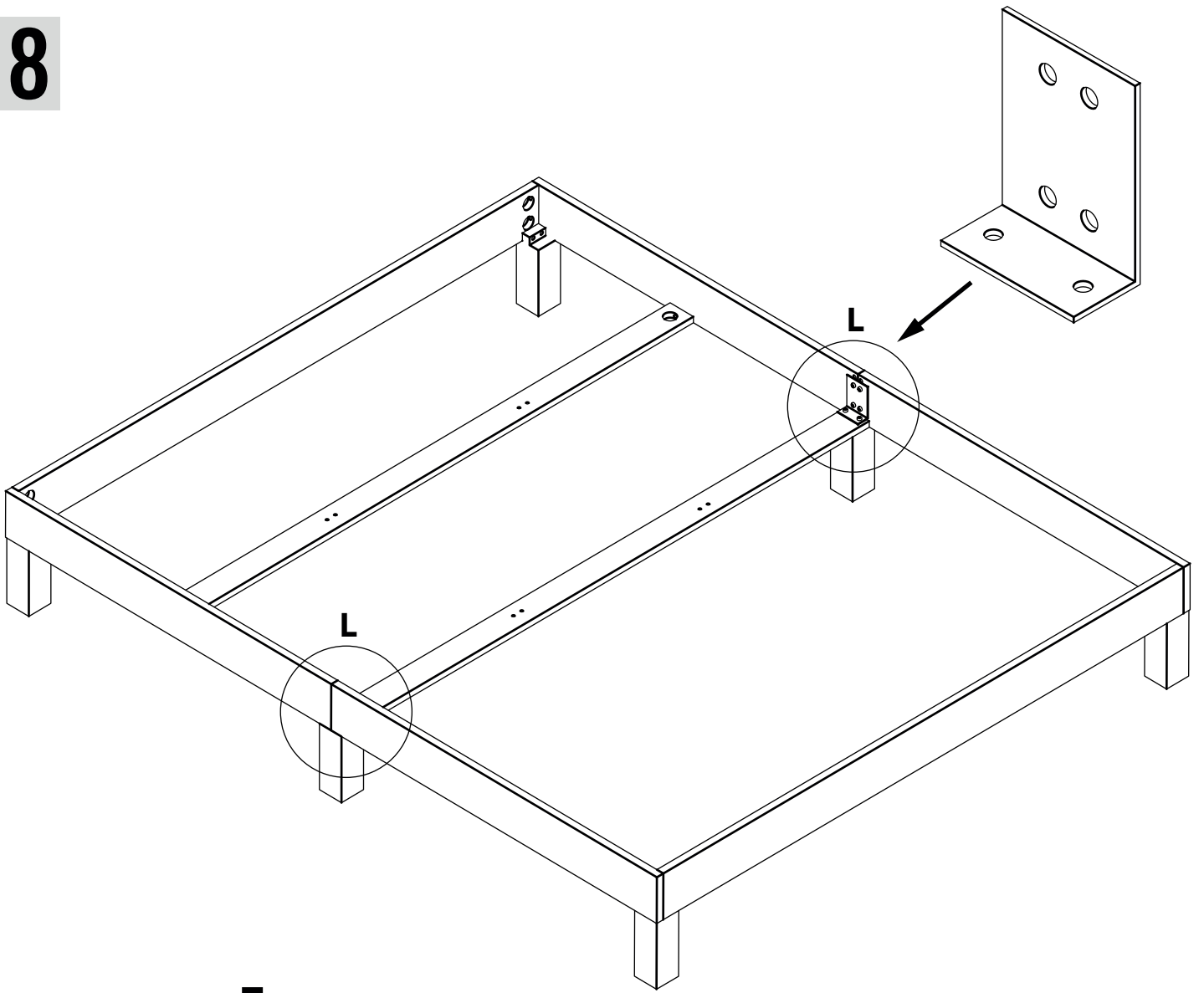
6



7

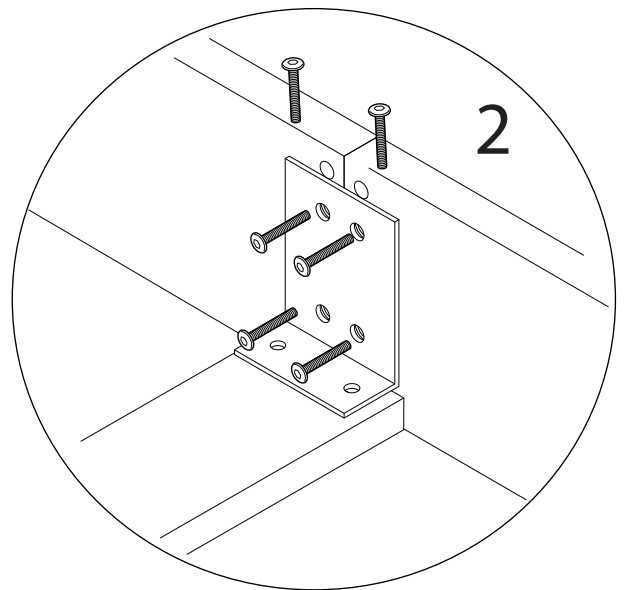
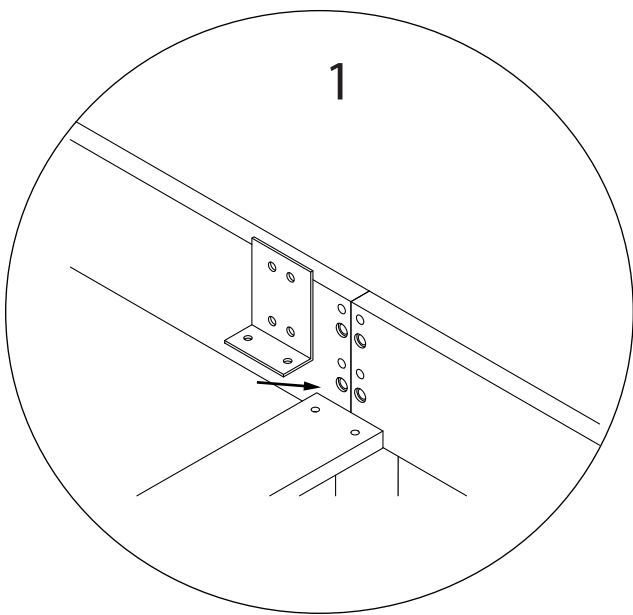


8

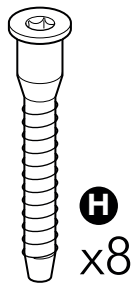
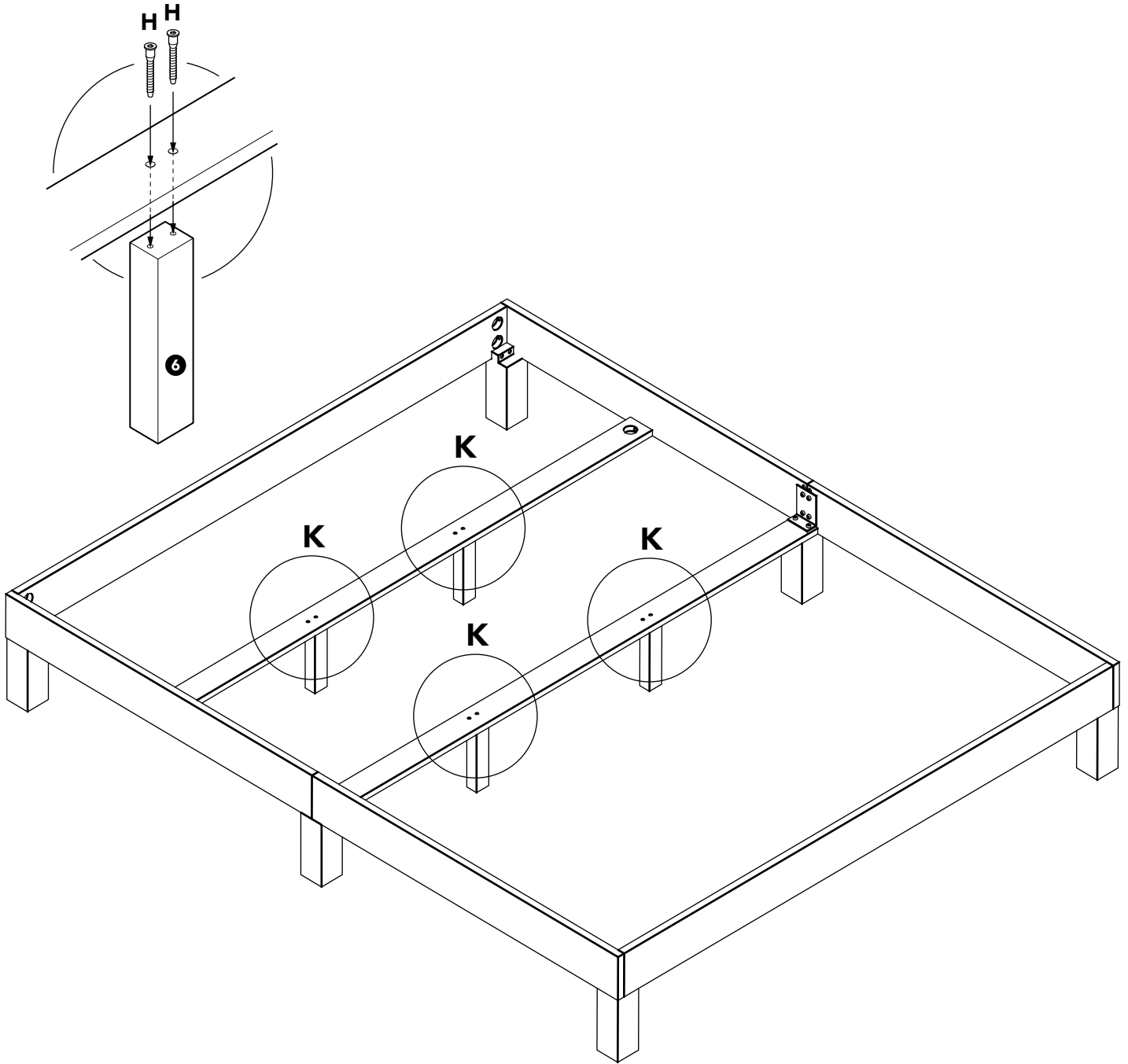


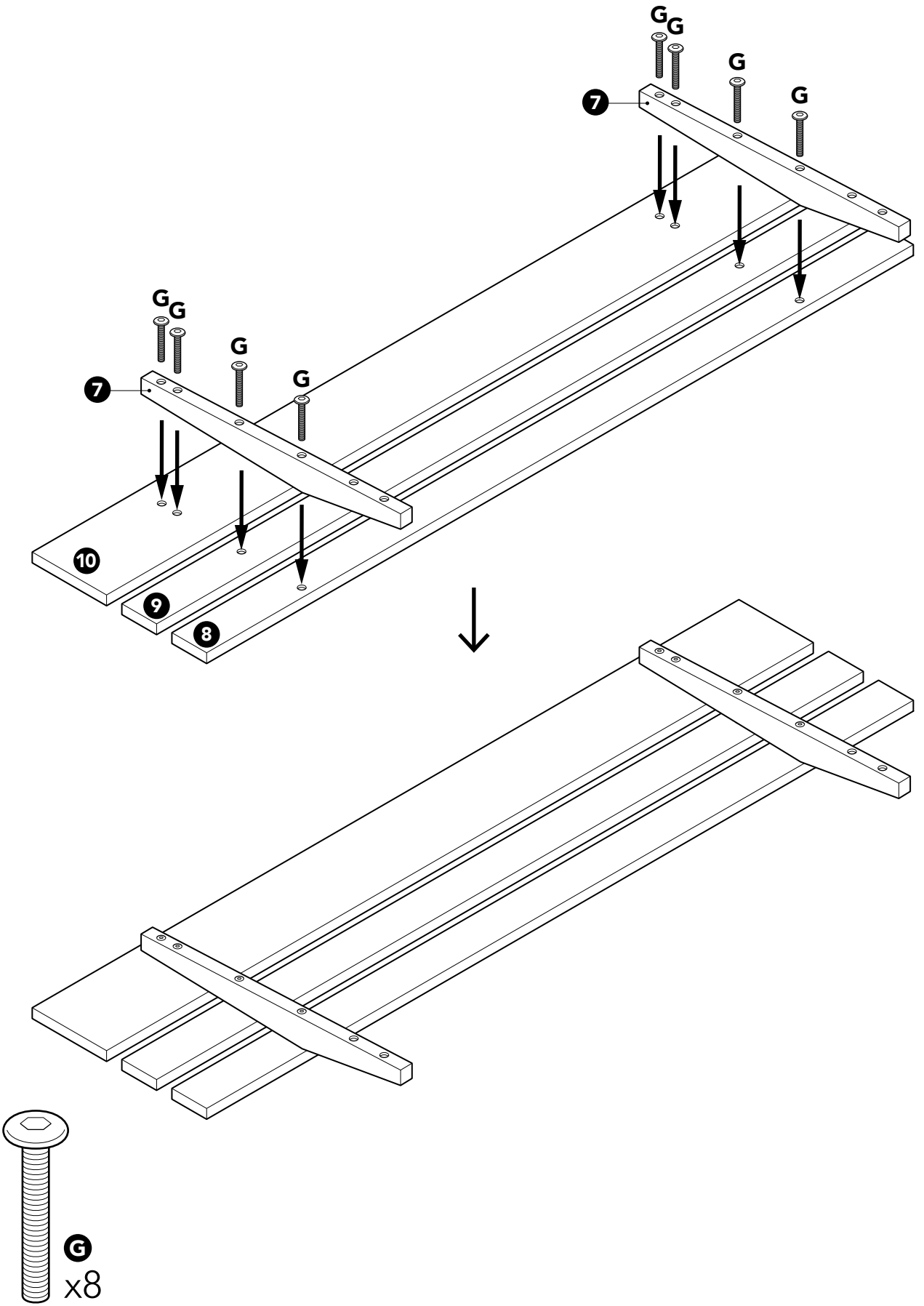
L

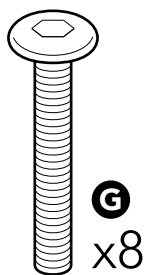
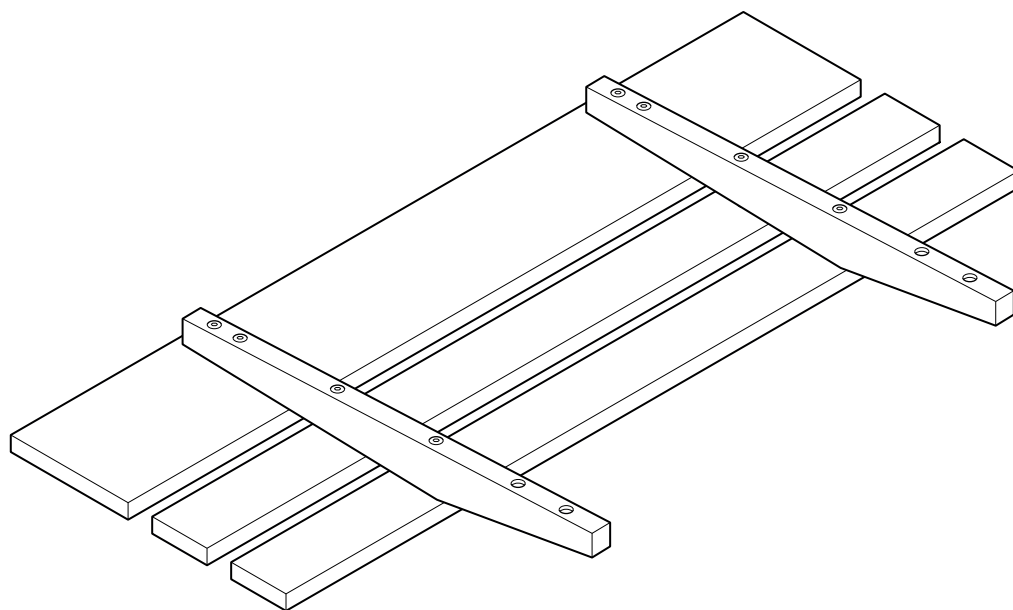
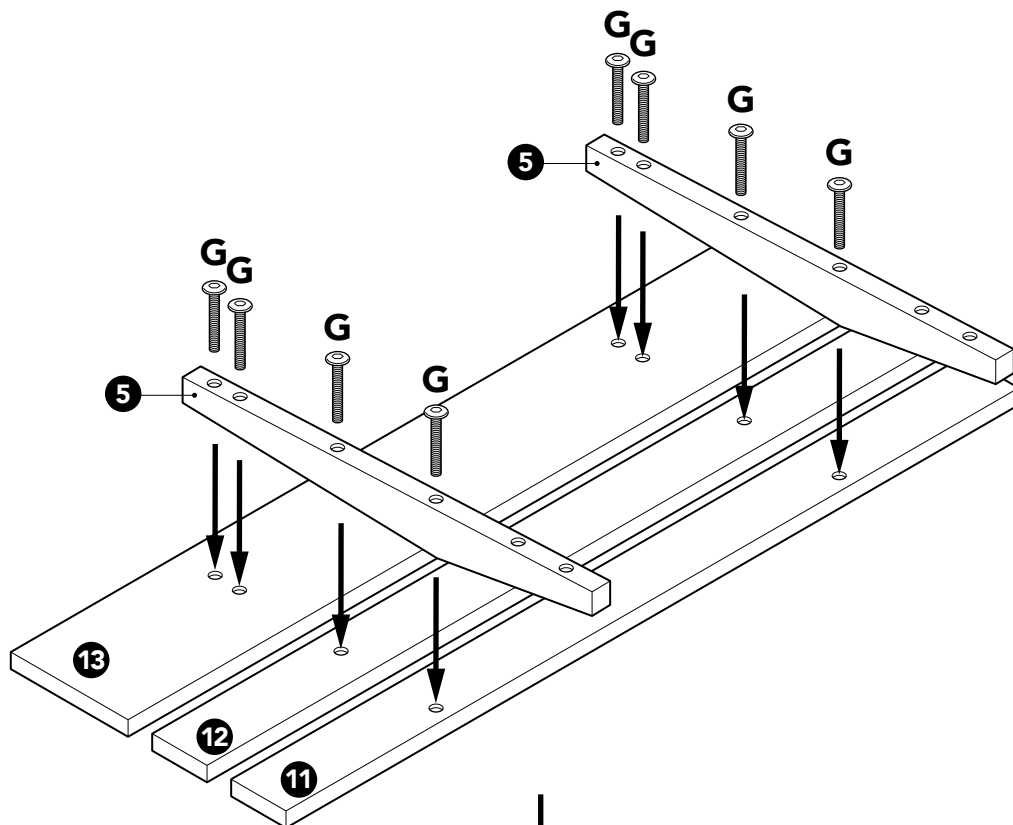
L



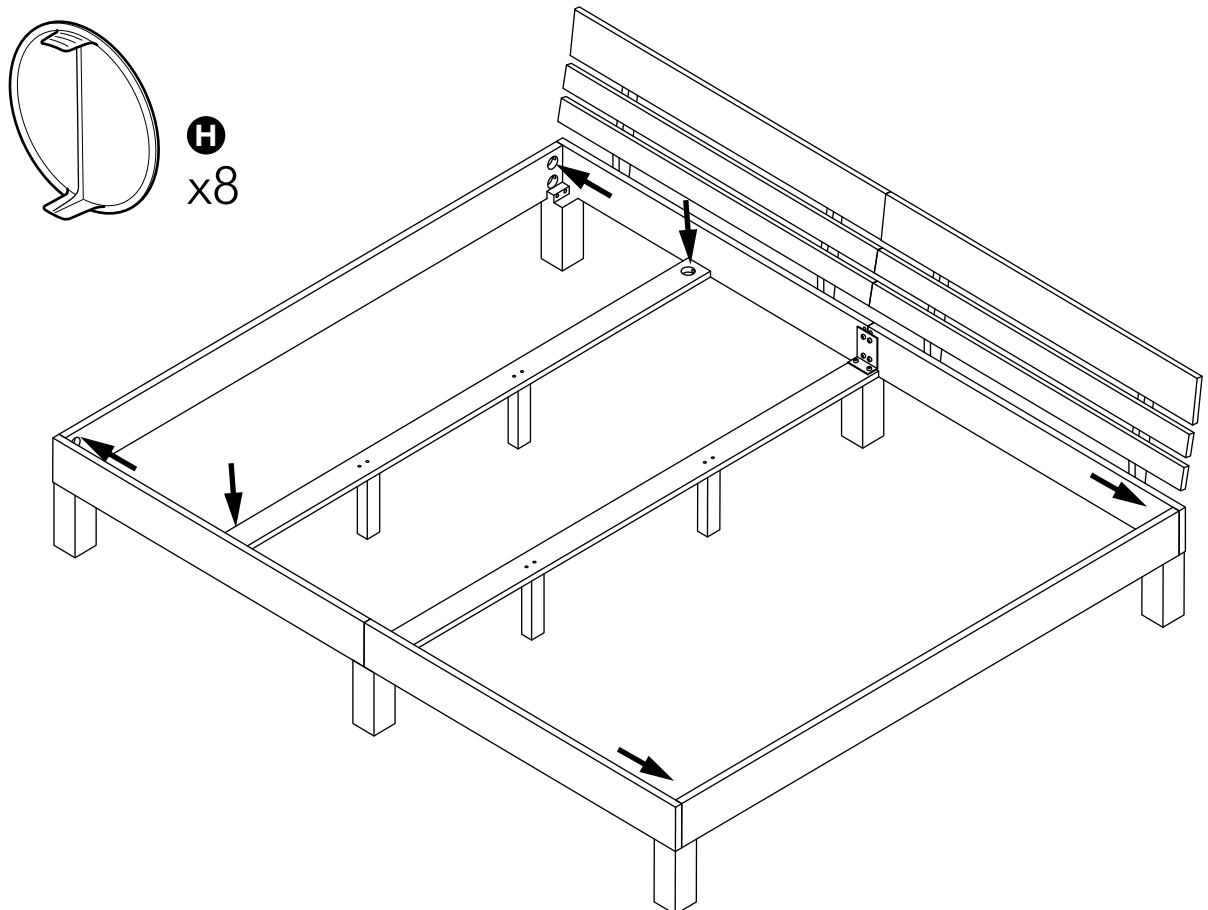
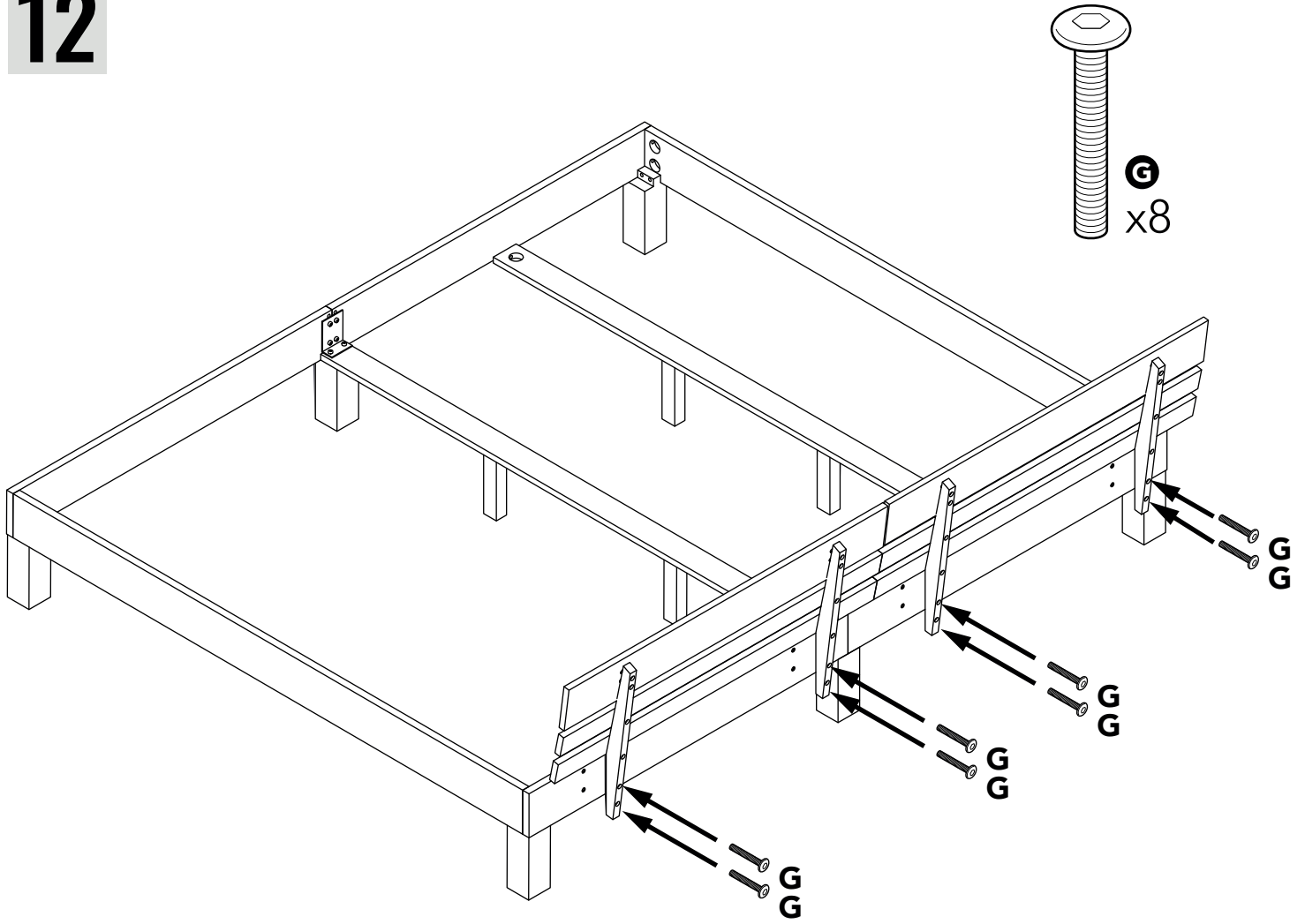
9



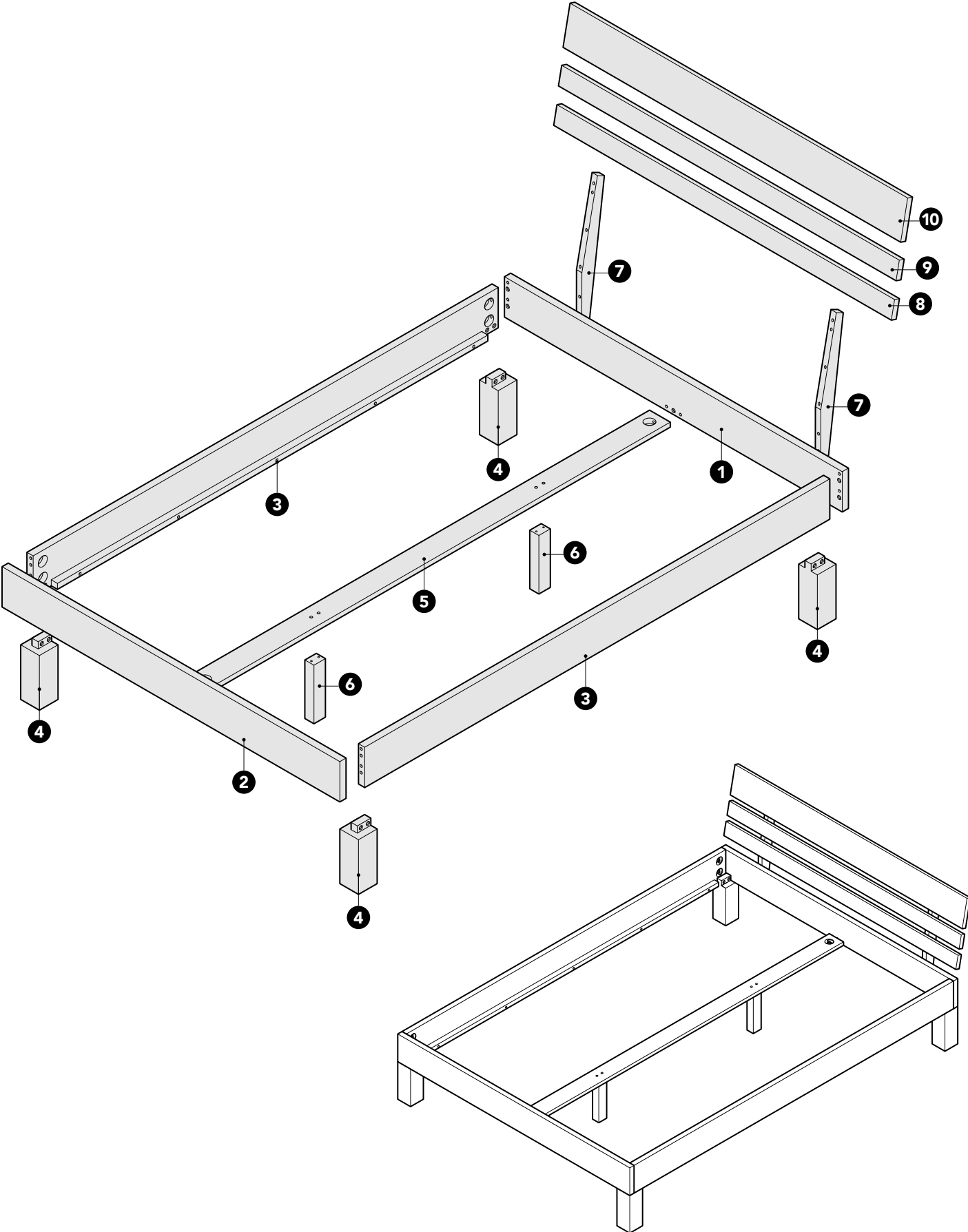




12



180x200



90x200

