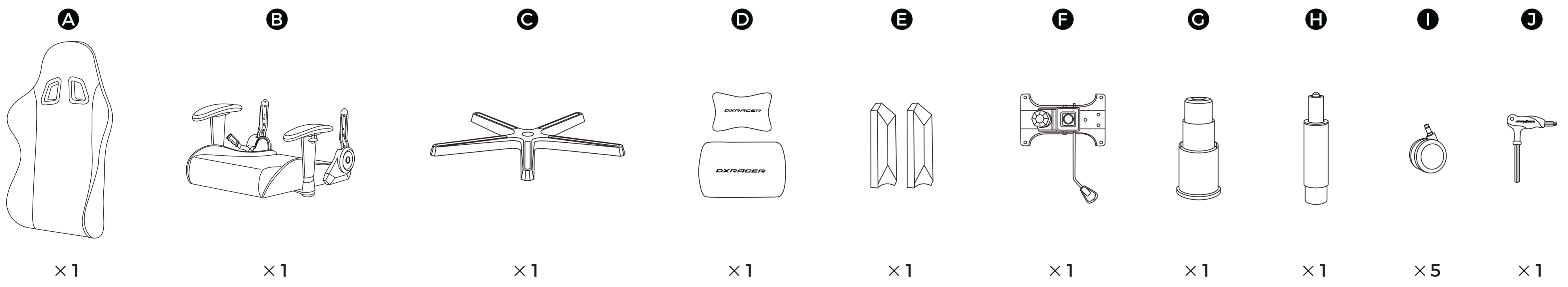


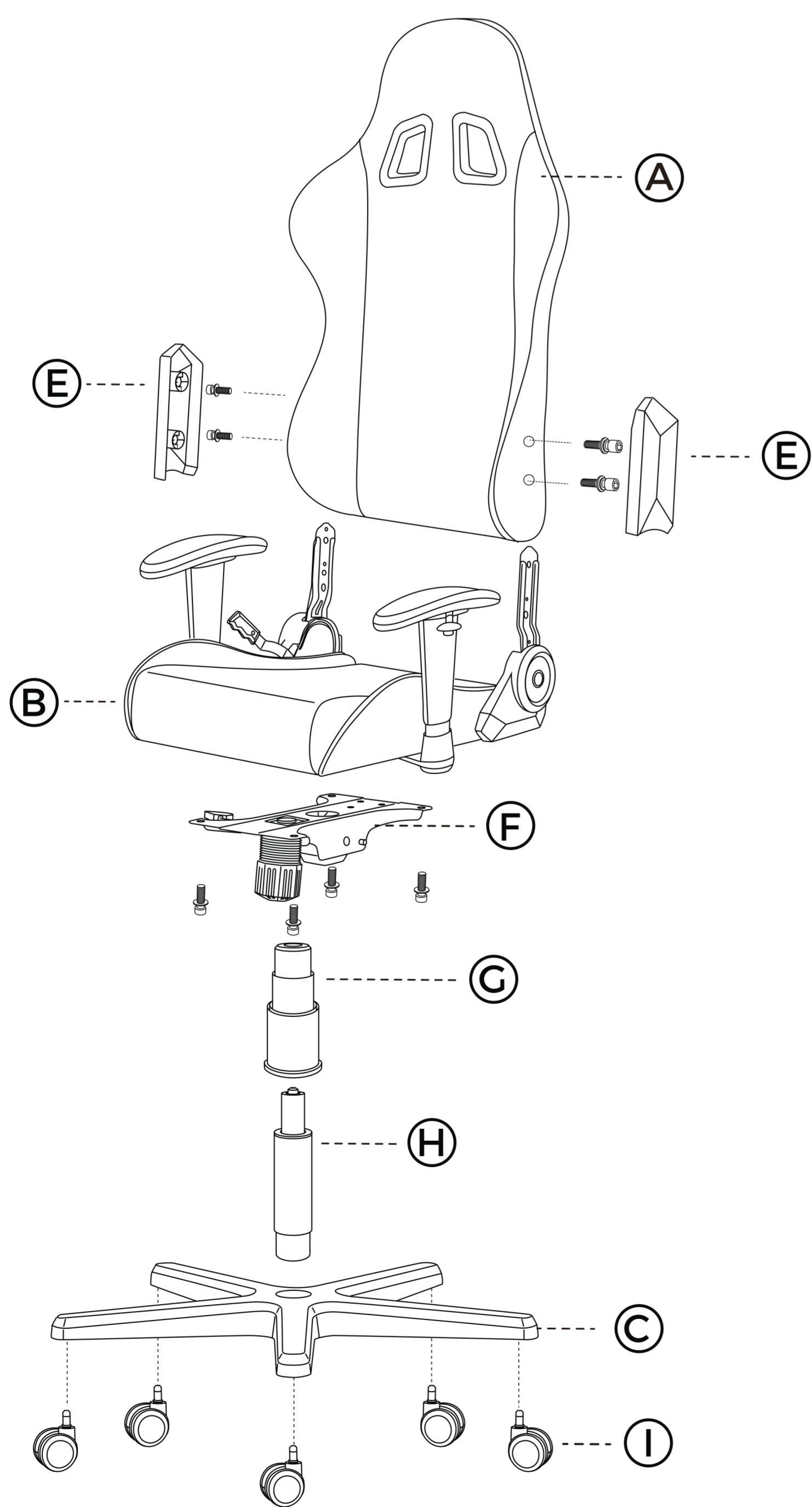
**DXRACER**

Please follow the assembly instructions on the back of this sheet.

► **Parts List**



► **Assembly Drawing**



► **Quick Installation**

