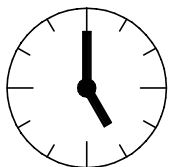
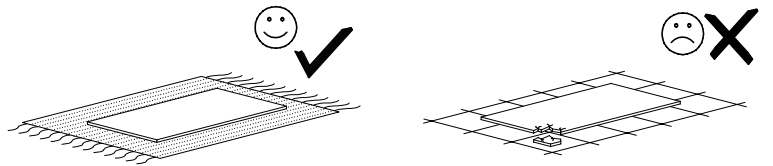
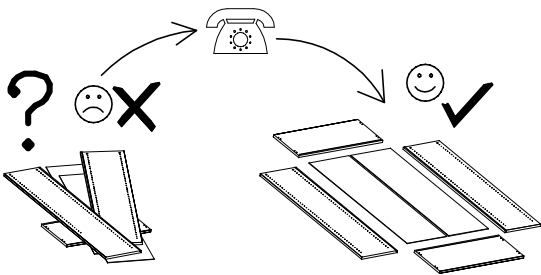
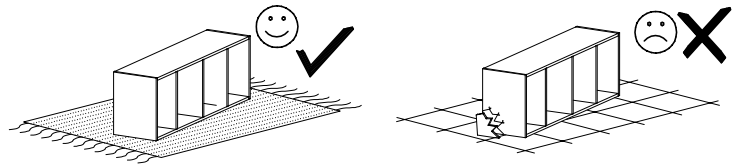
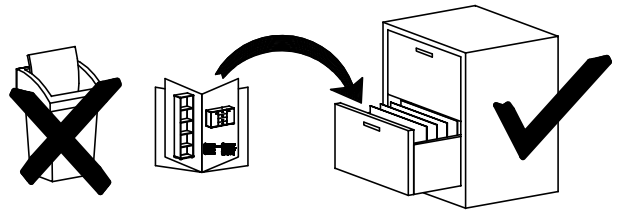
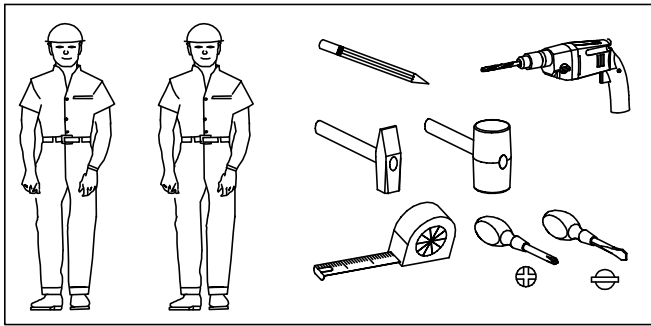
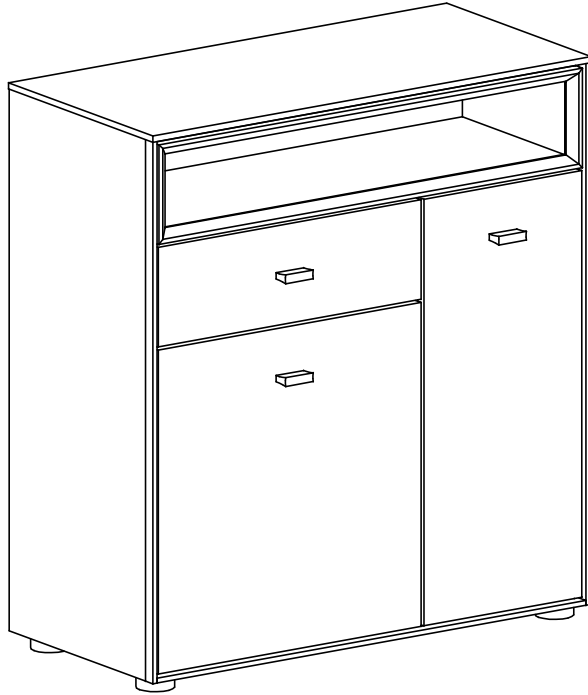


SCHUHSCHRANK

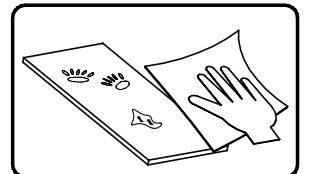
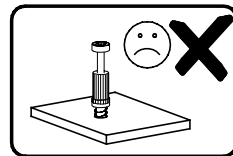
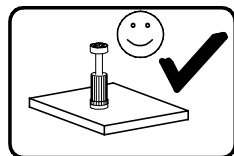
NR ART. 07780030-01

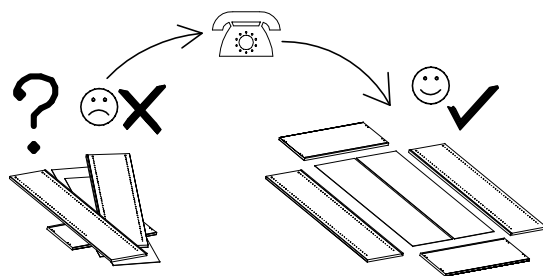
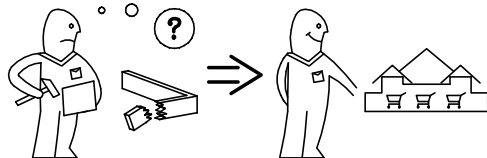
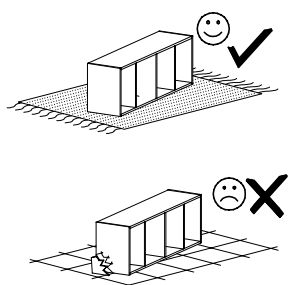
HOM'IN

JUNGES EINRICHTEN



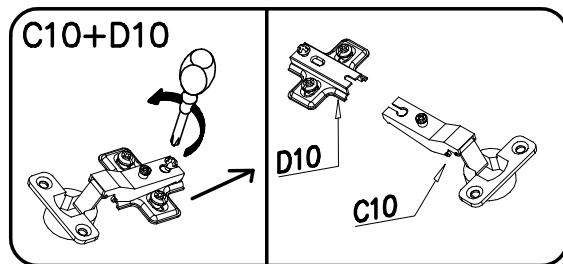
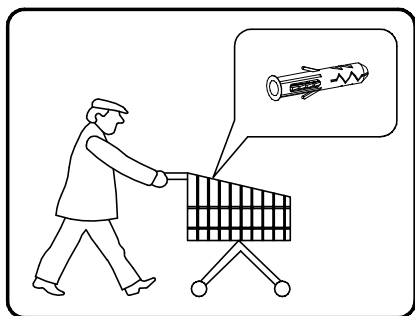
2,5h



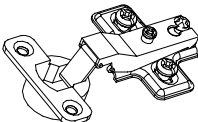

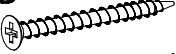
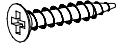


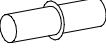


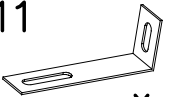
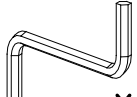

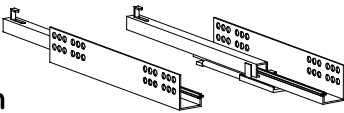
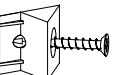



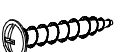

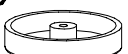

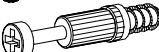


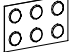
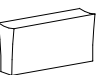


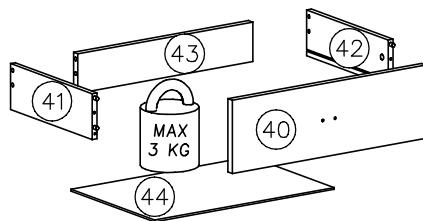
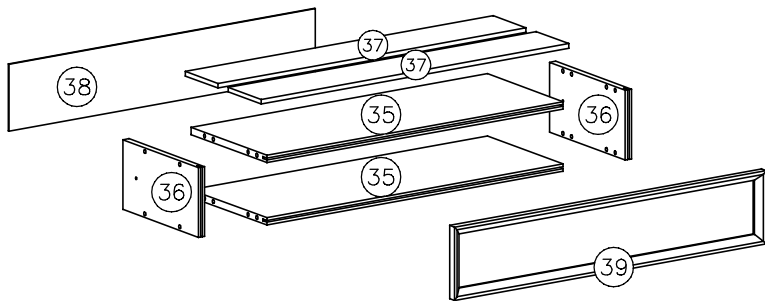
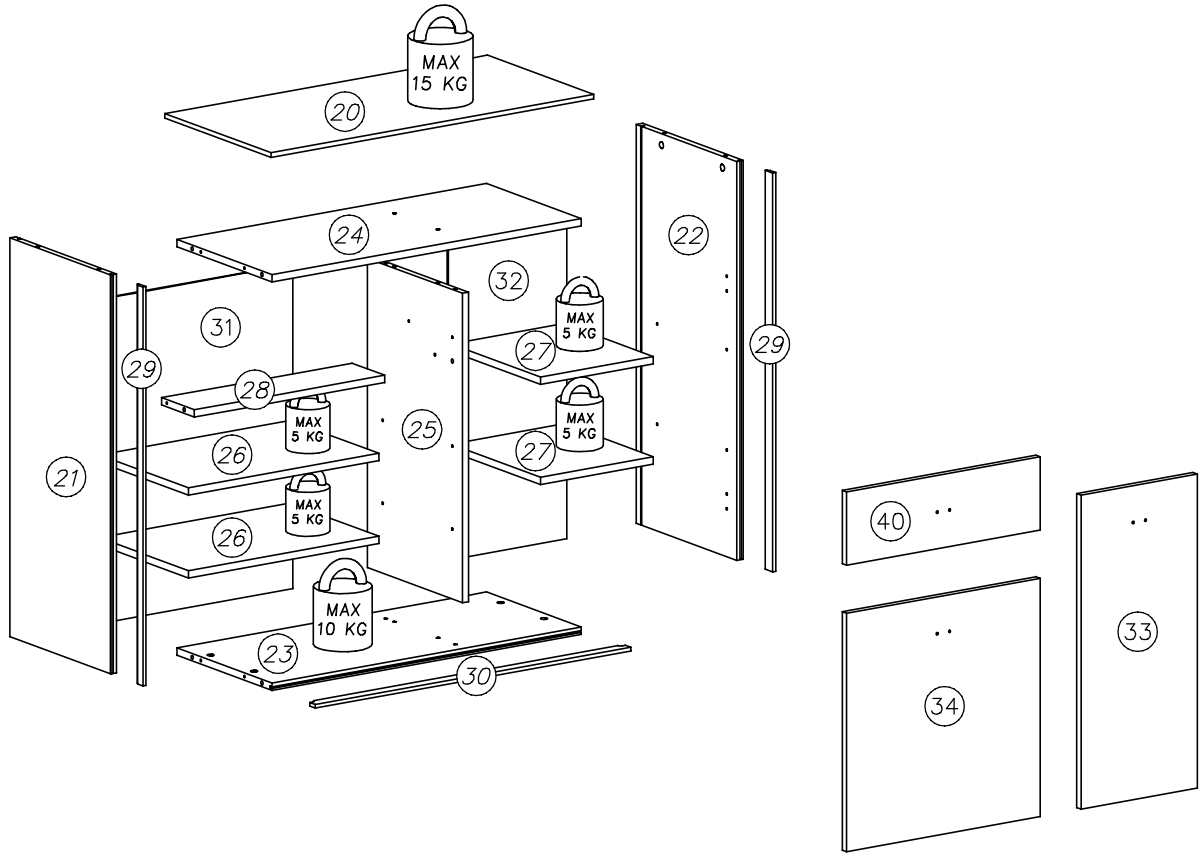
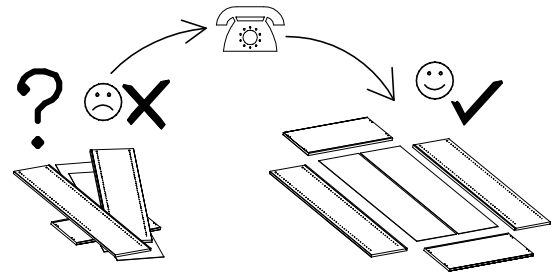
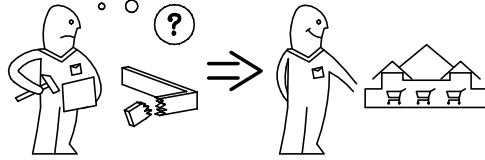
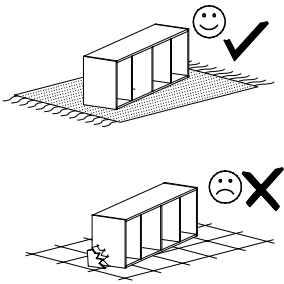


nr	L[mm]	B[mm]	T[mm]	Menge	Colli
20	830	390	10	1	1/2
21	870	369	16	1	1/2
22	870	369	16	1	1/2
23	796	349	16	1	1/2
24	796	349	16	1	1/2
25	680	349	16	1	2/2
26	490	328	16	2	2/2
27	290	328	16	2	2/2
28	490	131	16	1	2/2
29	870	27	8	2	1/2
30	812	27	8	1	1/2
31	710	504	3	1	2/2

nr	L[mm]	B[mm]	T[mm]	Menge	Colli
32	710	304	3	1	1/2
33	688	298	16	1	2/2
34	522	498	16	1	2/2
35	762	278	16	2	1/2
36	147	278	16	2	2/2
37	795	120	10	2	1/2
38	143	790	3	1	1/2
39	802	155	18	1	1/2
40	498	160	16	1	2/2
41	300	100	12	1	2/2
42	300	100	12	1	2/2
43	450	86	16	1	2/2
44	460	307	3	1	1/2

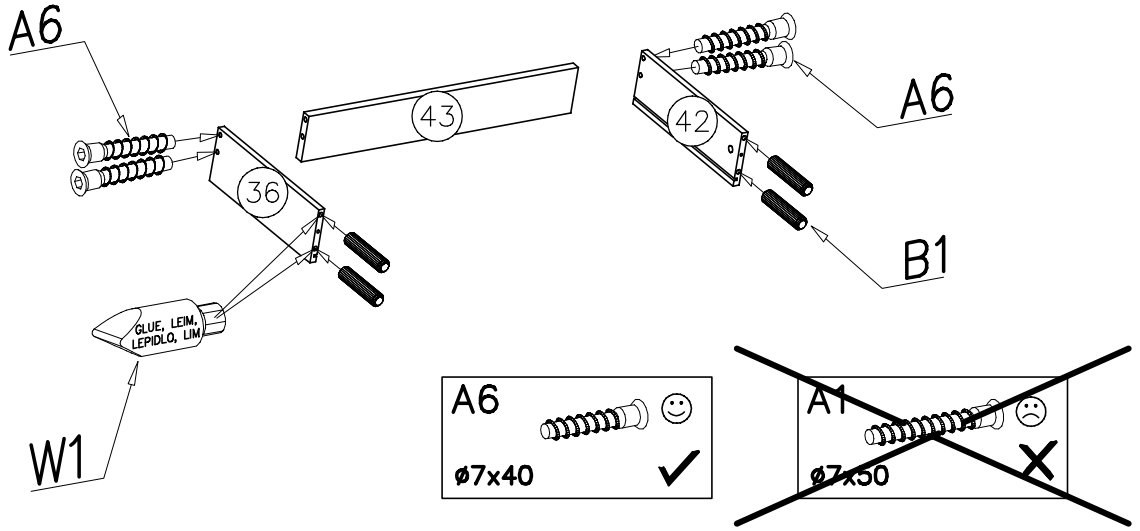


	A6  ø7x40 x...(4)	M13  300mm x...(1)	C10+D10 	I18  HOM'IN JUNGES EINRICHTEN x...(1)
G28  4x60 x...(2)	G12  4x25 x...(7)	K4  ø12x10 x...(2)	Z35PL 	F2  x...(16)
S2  x...(6)	A1  ø7x50 x...(12)	M11  x...(2)	W2  x...(1)	G21  3x16 x...(48)
H15  300mm x...(1)	I1  x...(10)	Z2  55x20x4 x...(10)	W1  GLUE, LEIM, LEPIDLO, LIM x...(7)	
K1  ø15x12 x...(14)	G8  4x30 x...(6)	G50  6x13 x...(4)	P20  x...(5)	G34  3,5x16 x...(14)
K15  x...(16)	B1  ø8x35 x...(26)	I7  x...(14)	W3  x...(6)	E12  32mm x...(3)

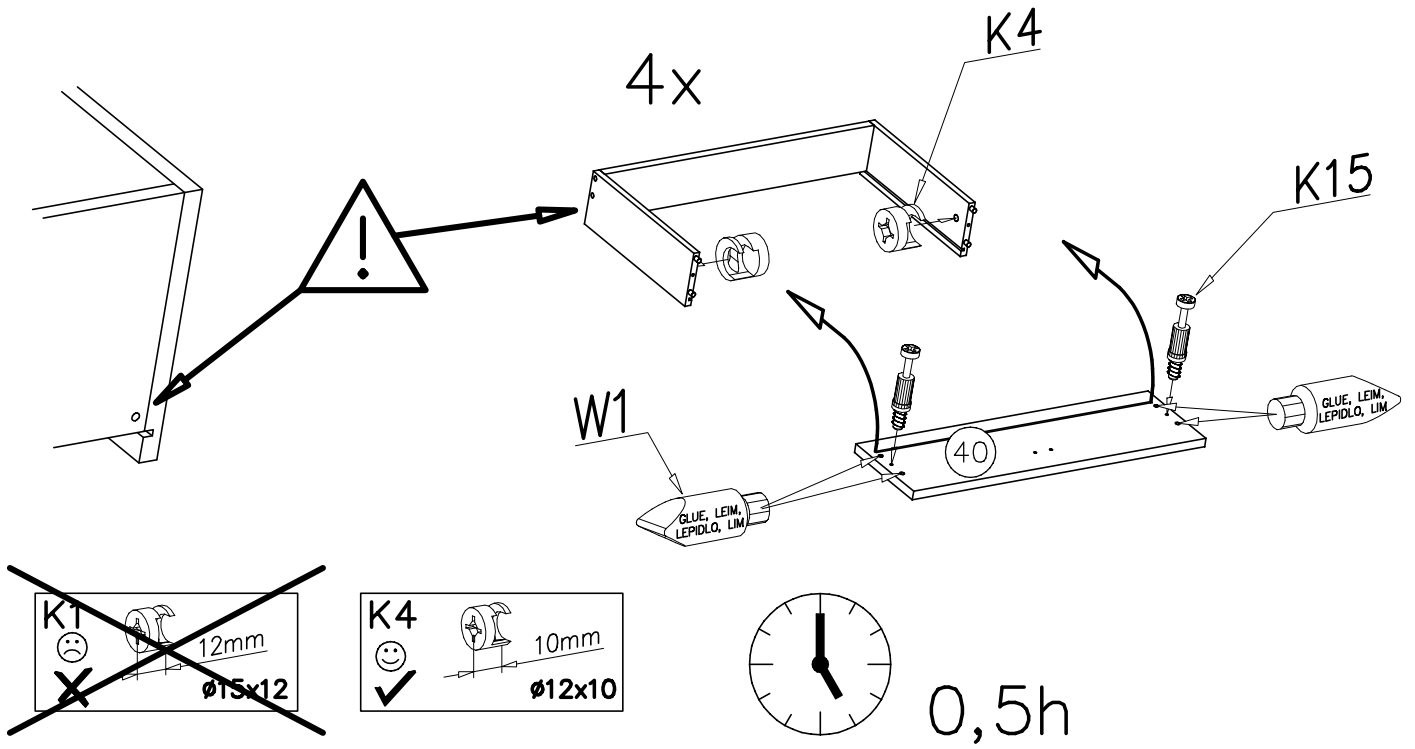




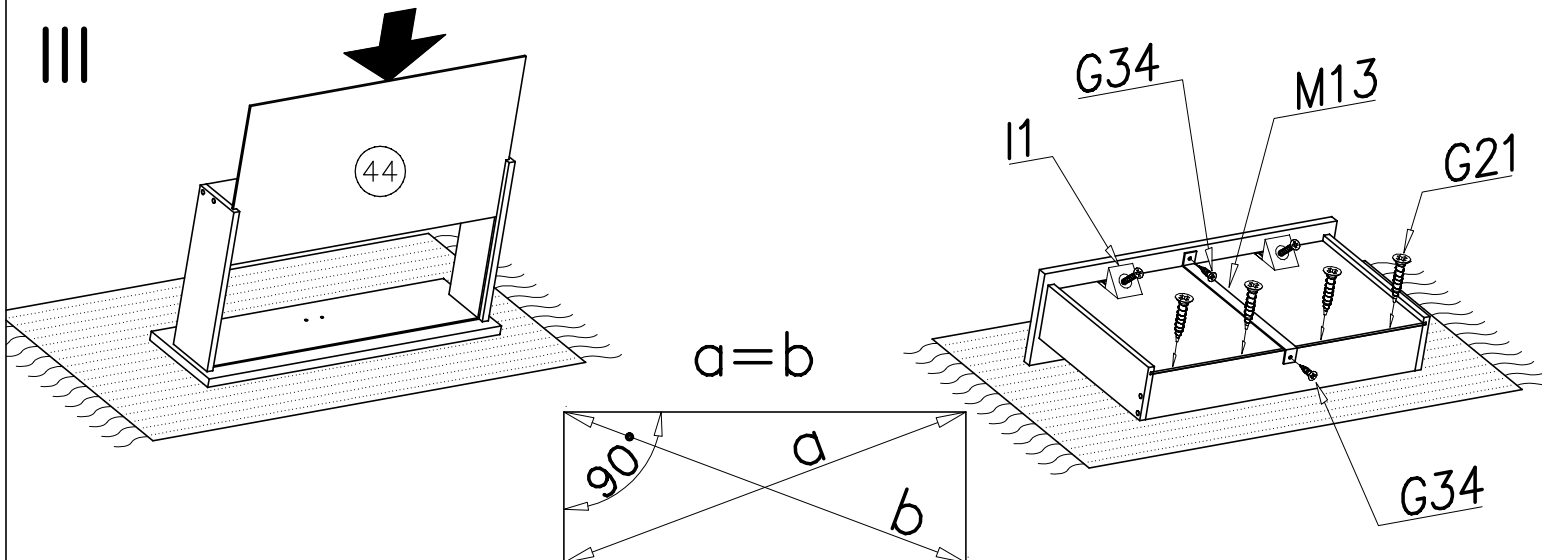
I



II

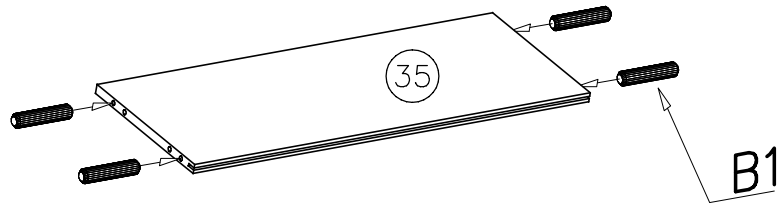


III

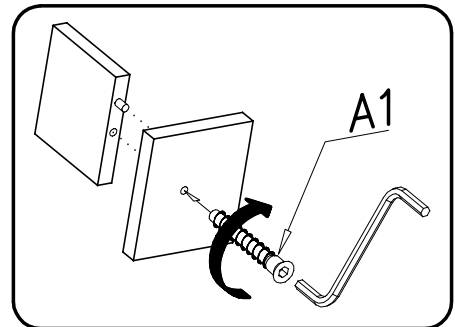
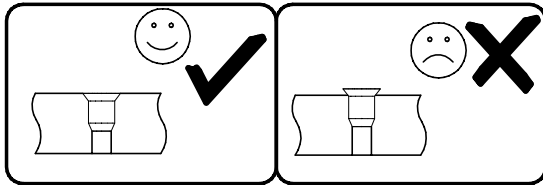
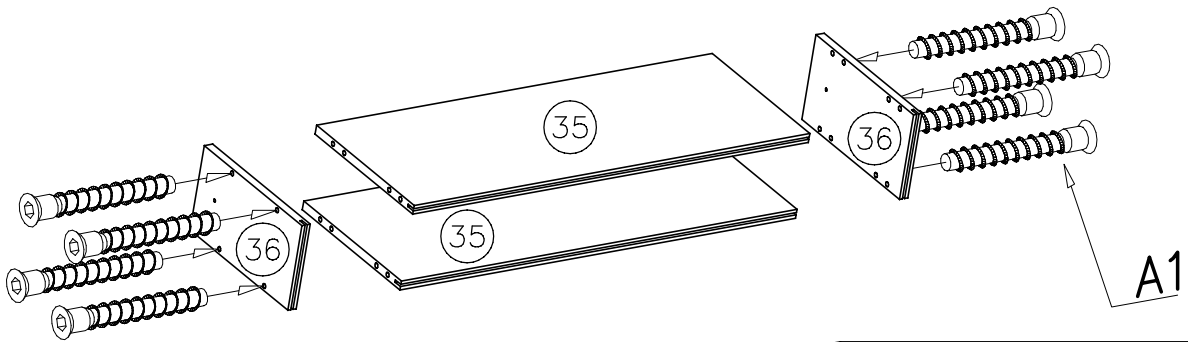
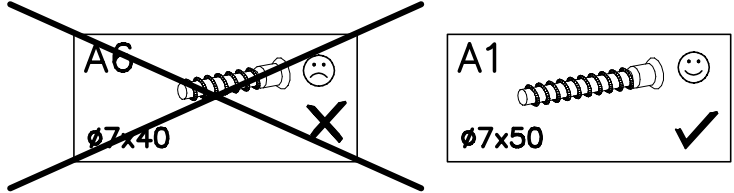




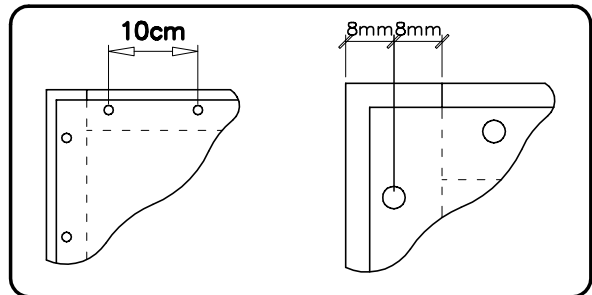
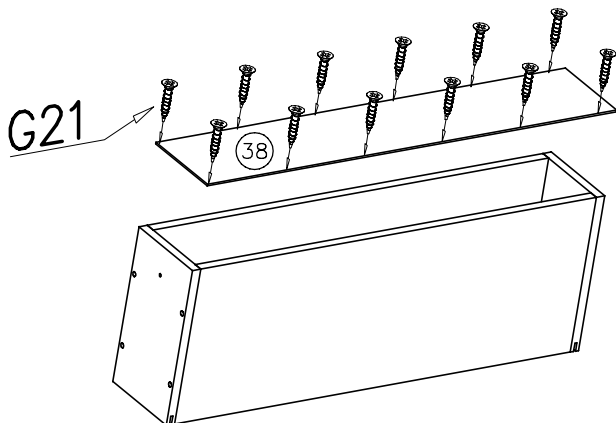
IV



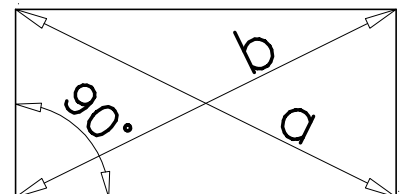
V



VI

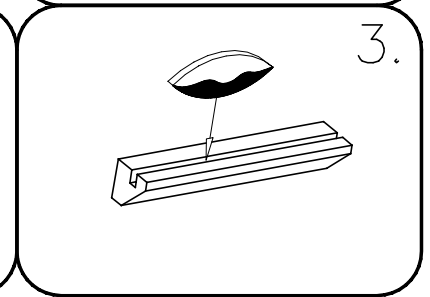
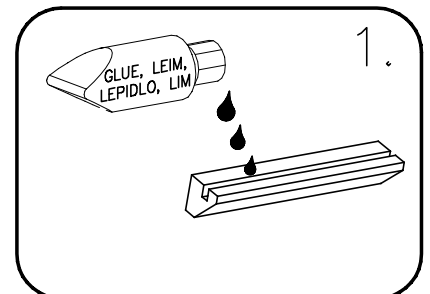
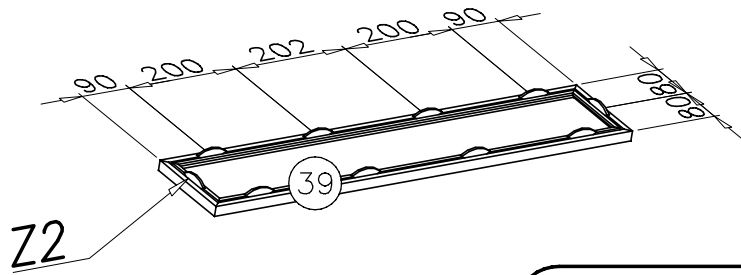


$$a = b$$

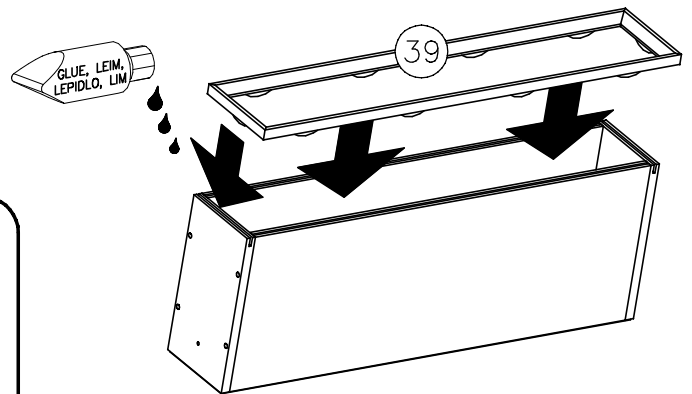
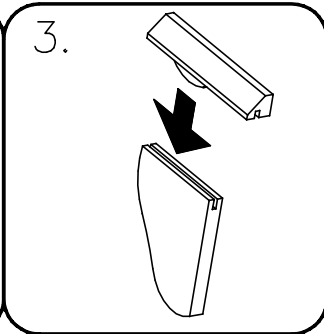
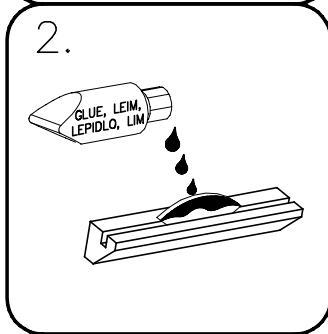
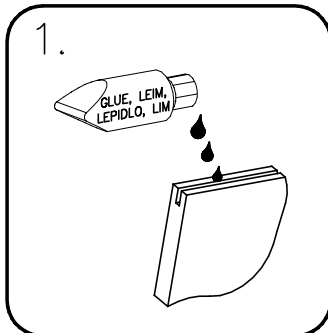




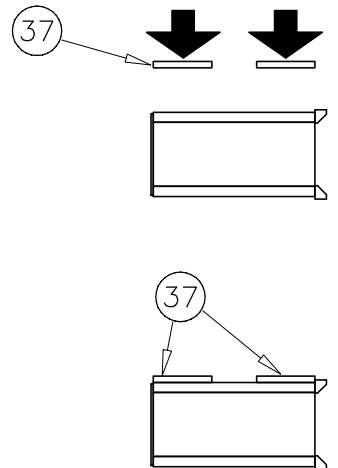
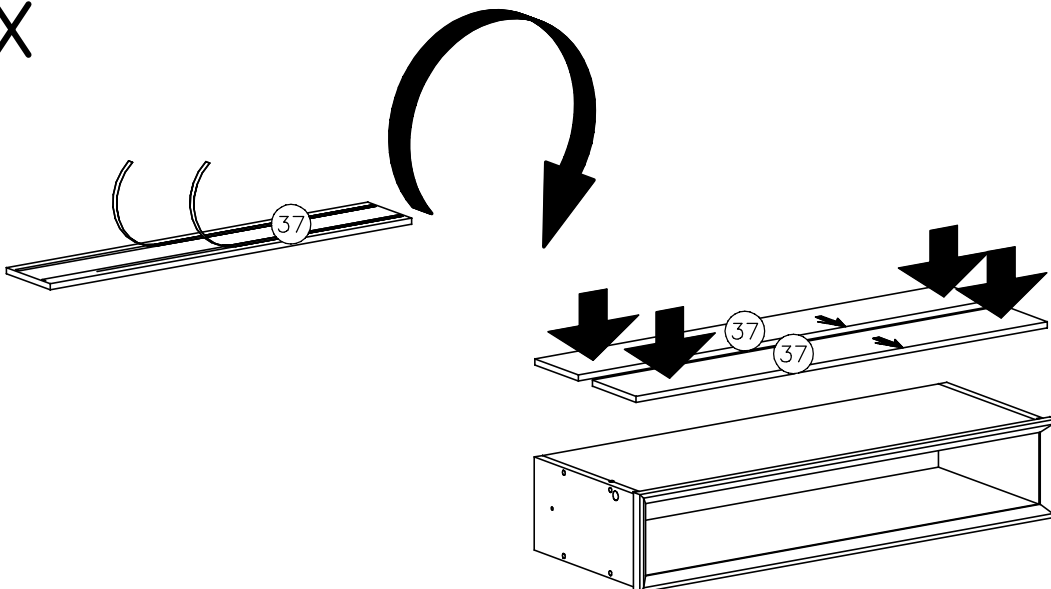
VII



VIII

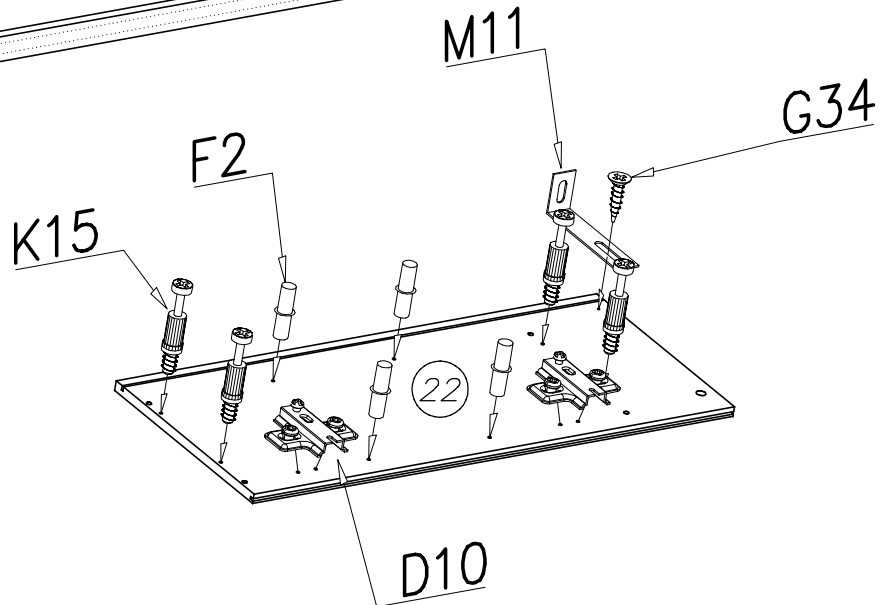
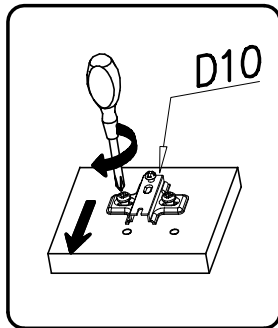
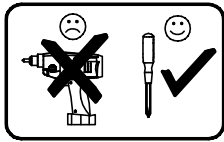
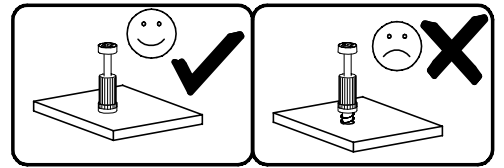
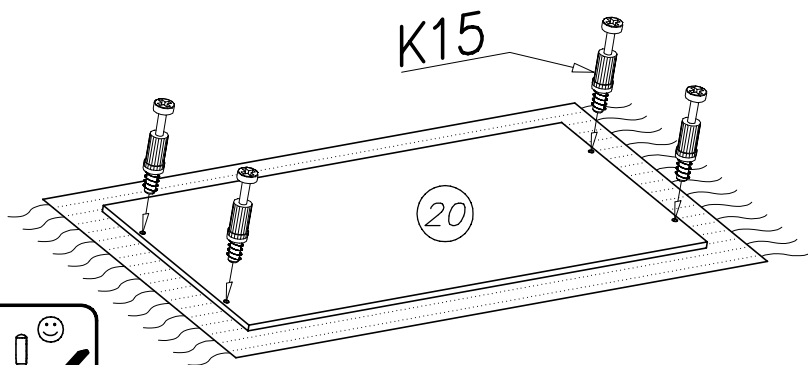


IX

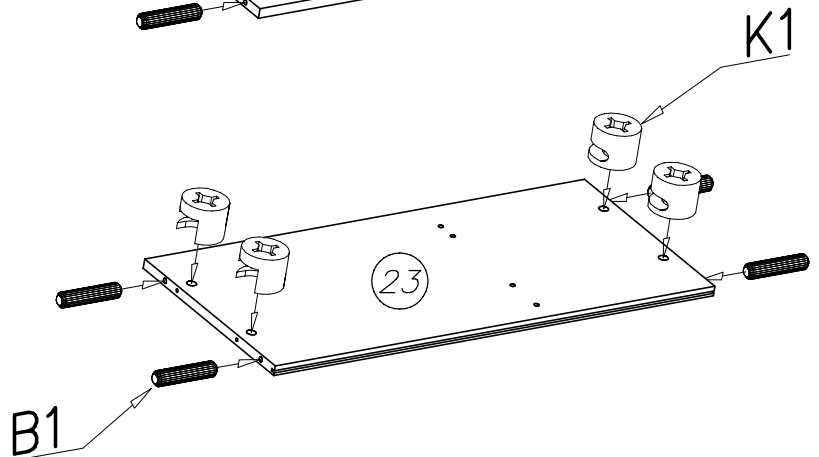
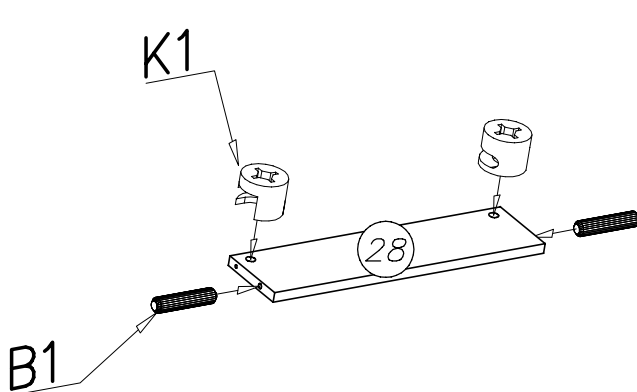
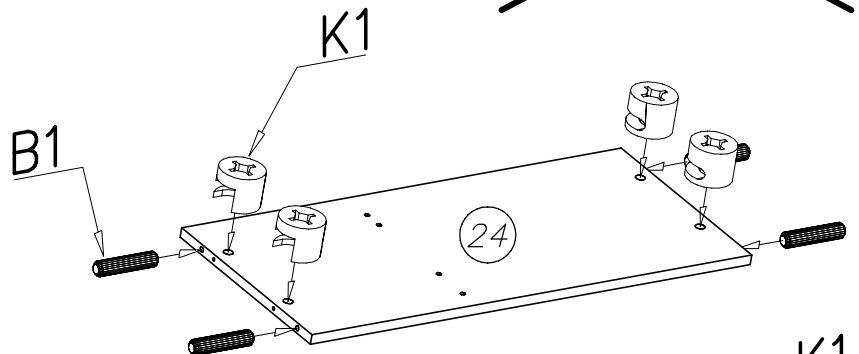
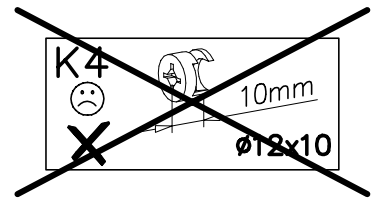
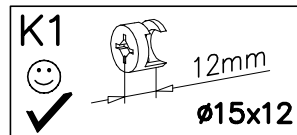
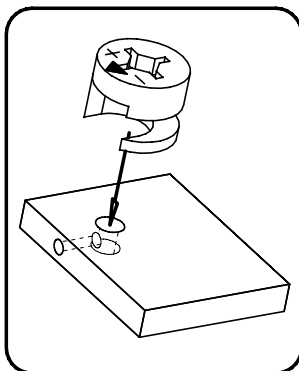




X

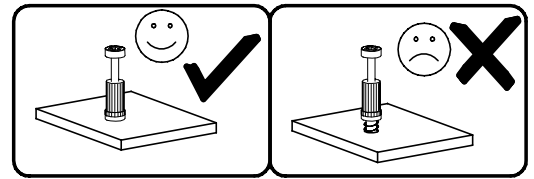
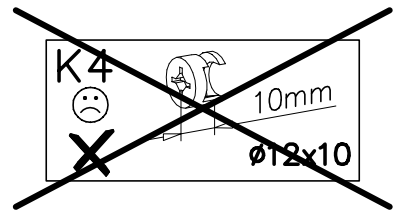
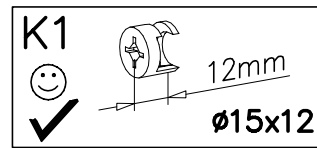
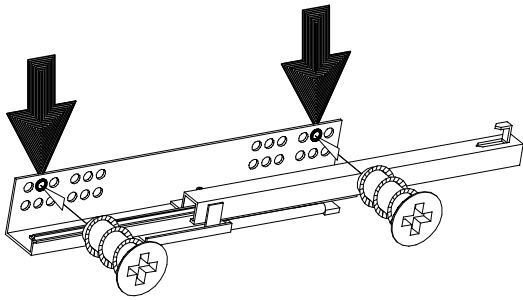
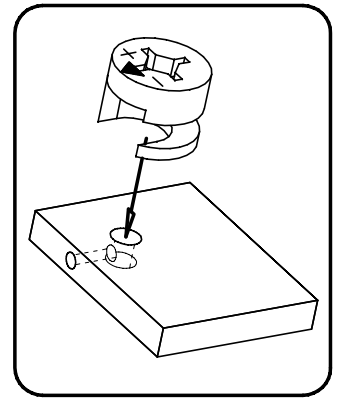
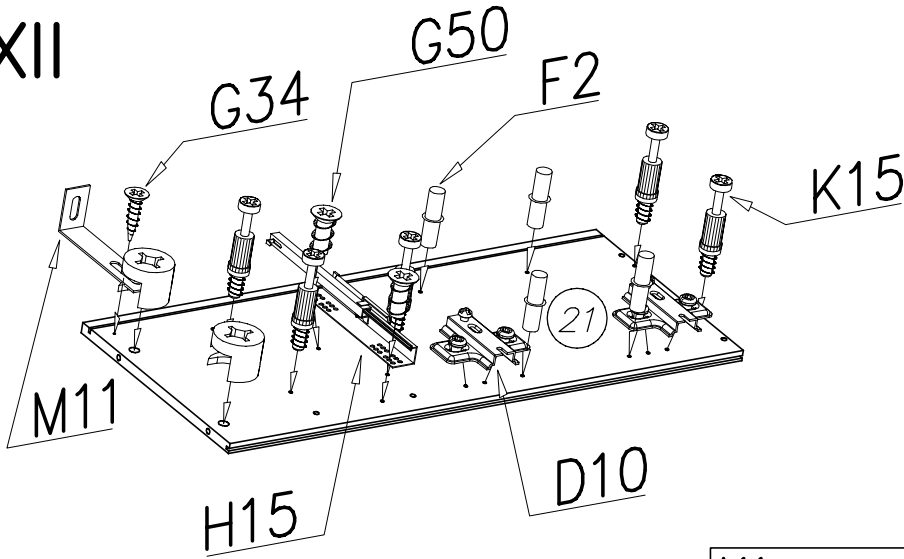


XI

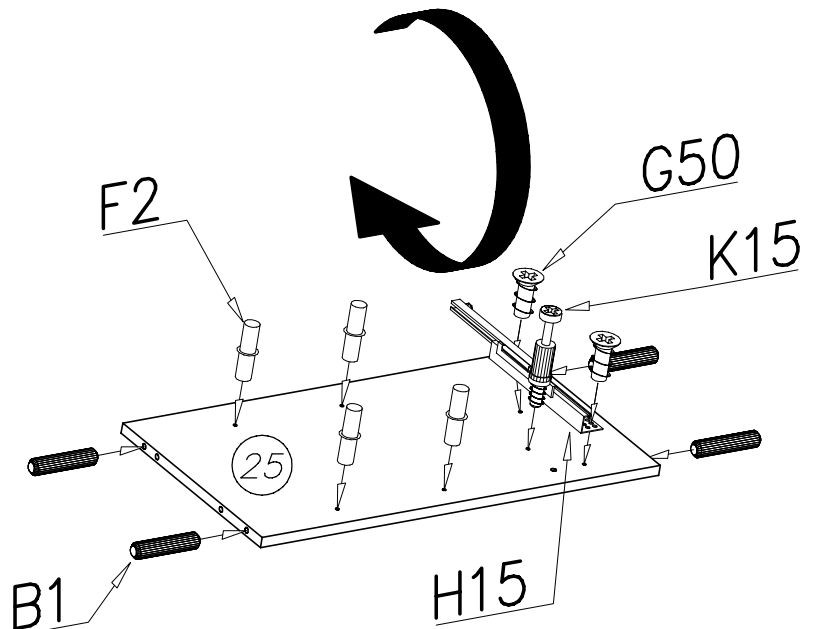
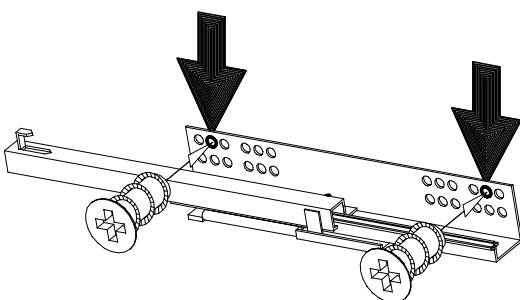
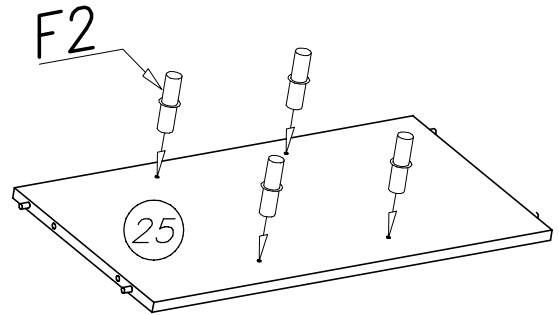
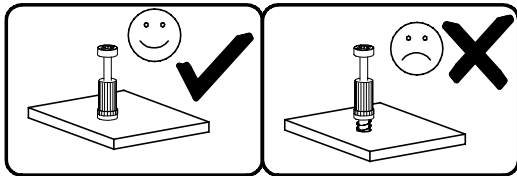




XII

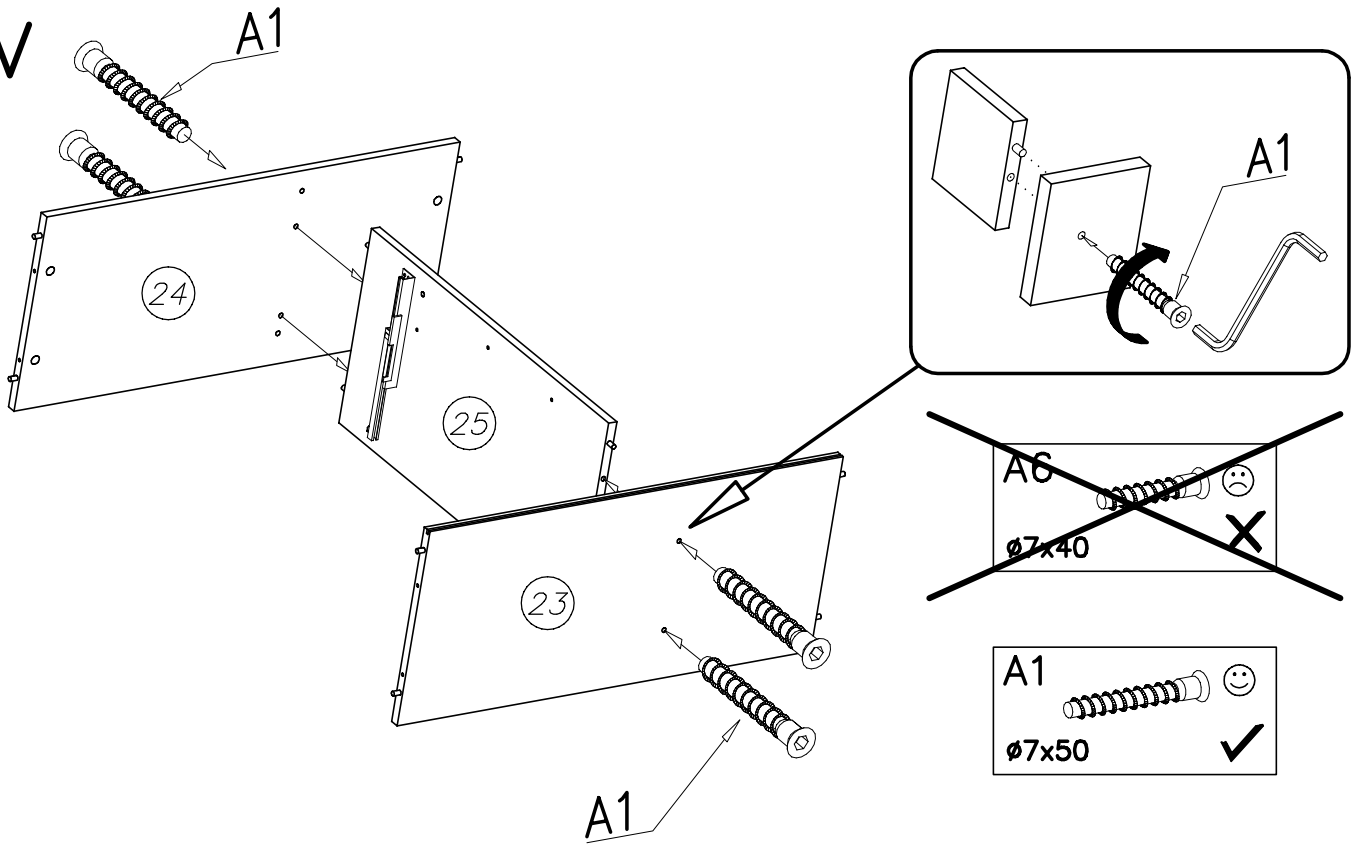


XIII

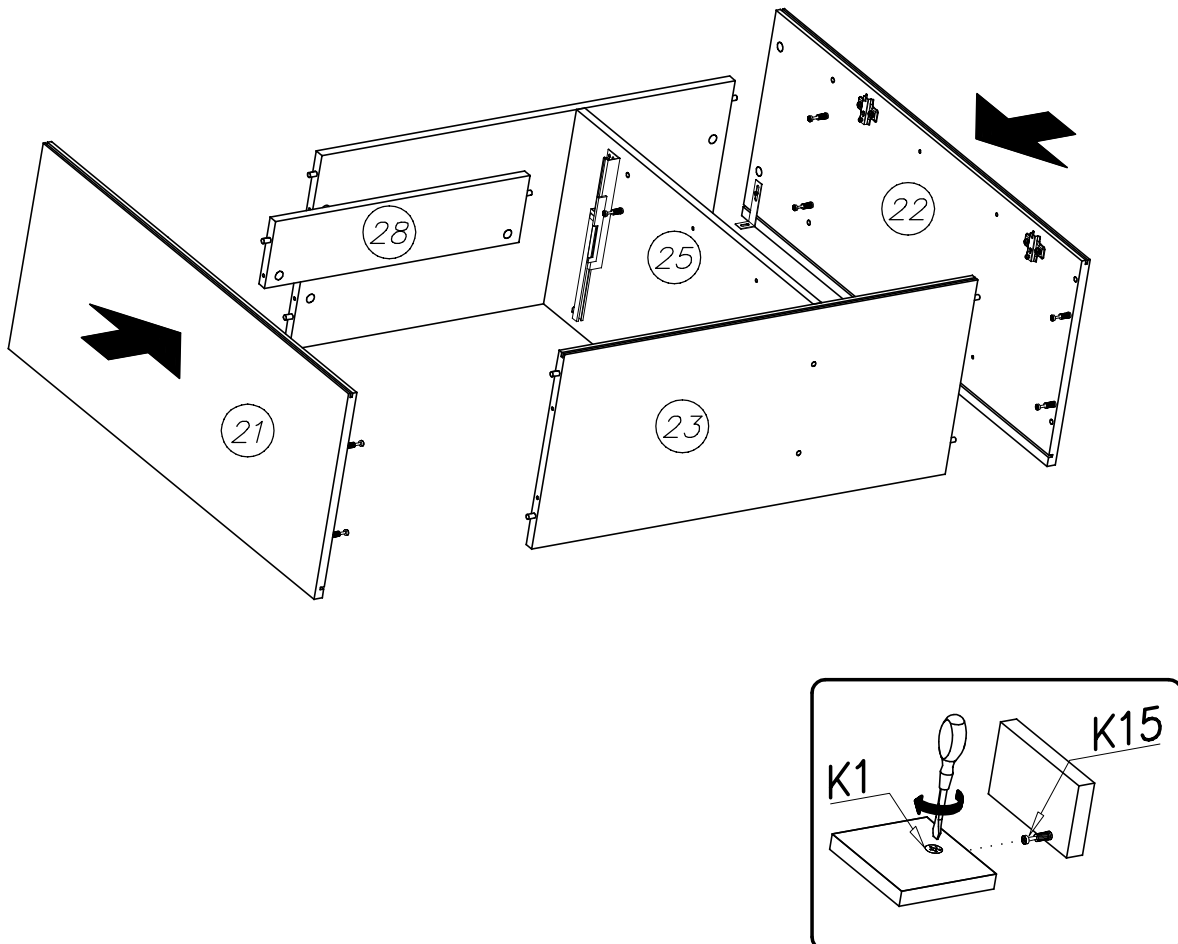




XIV

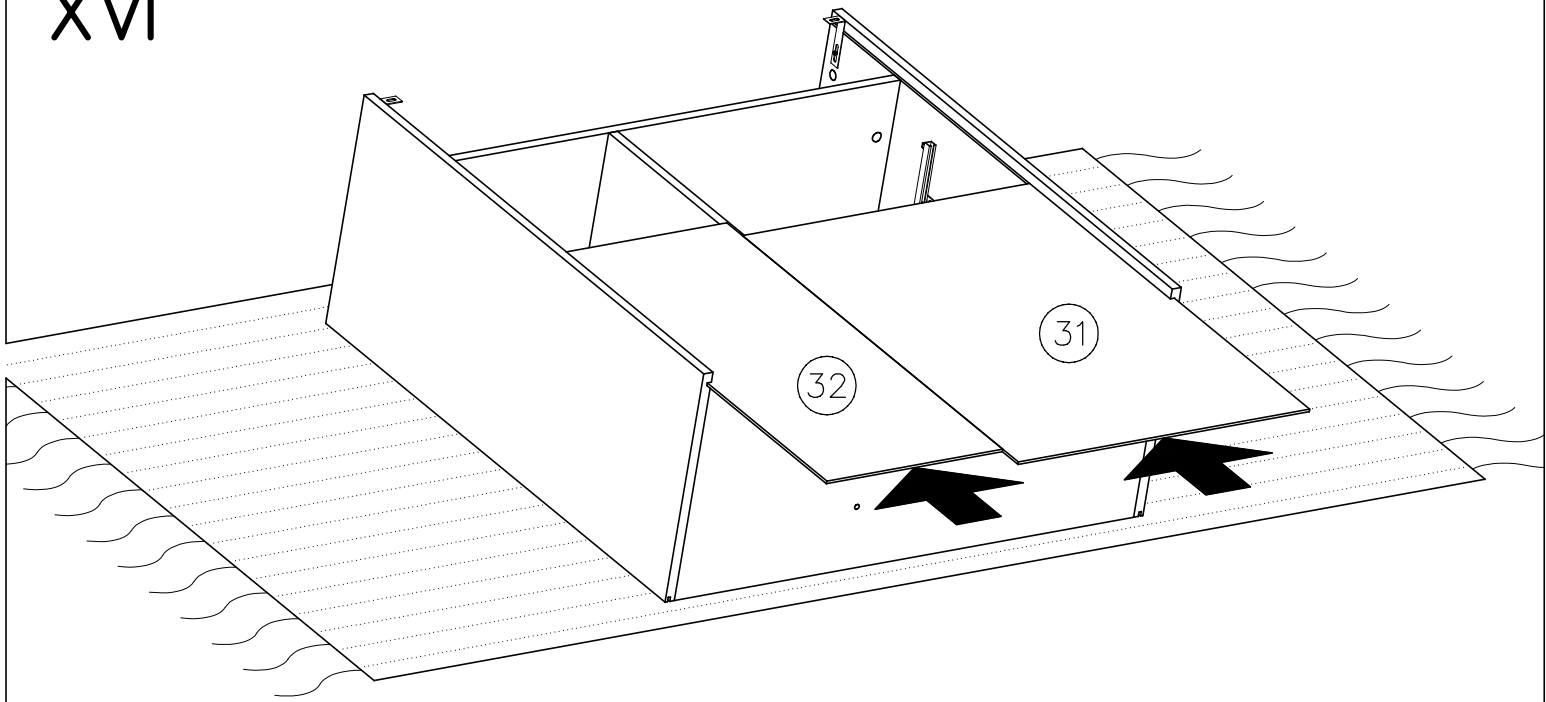


XV

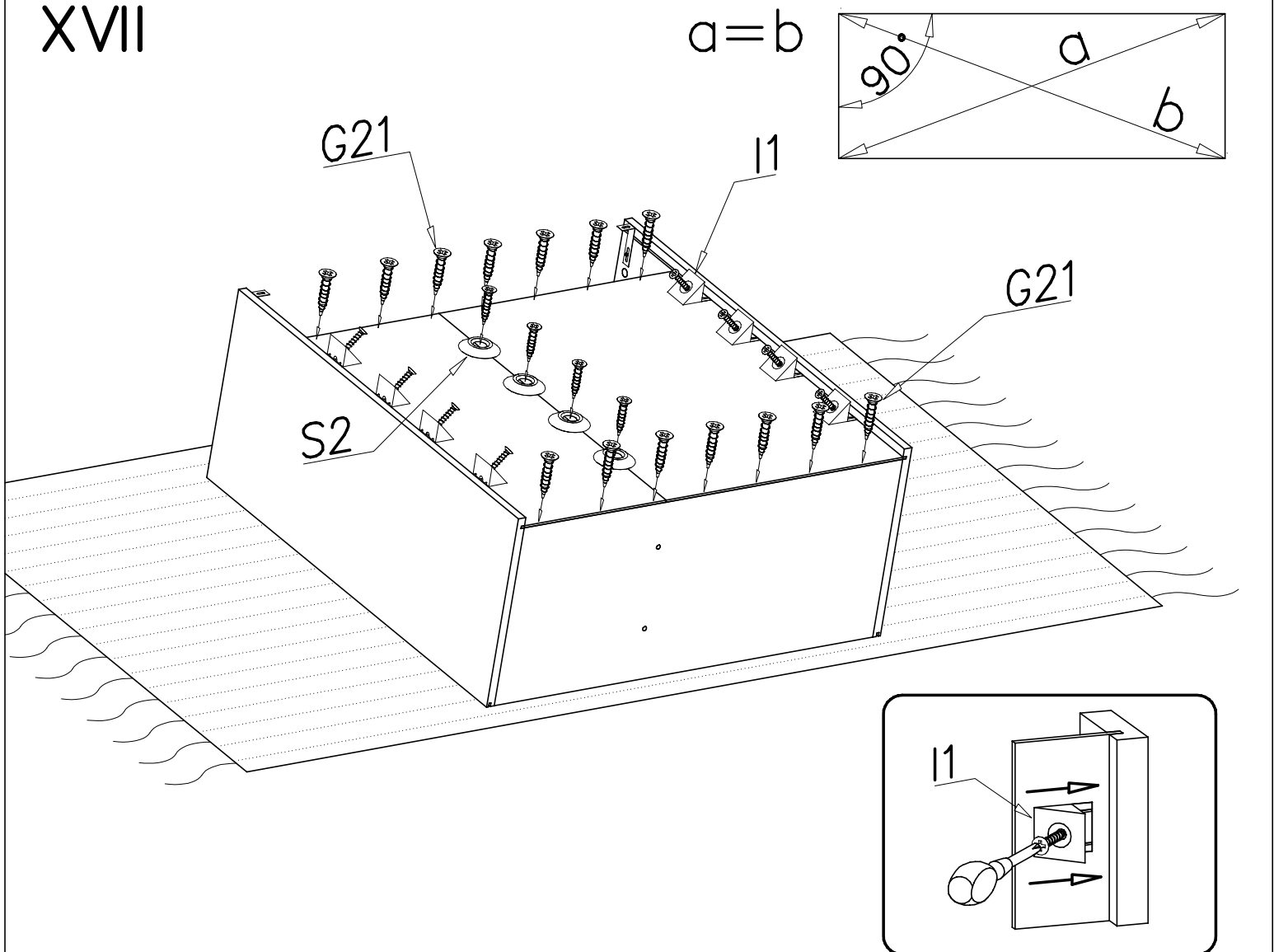




XVI

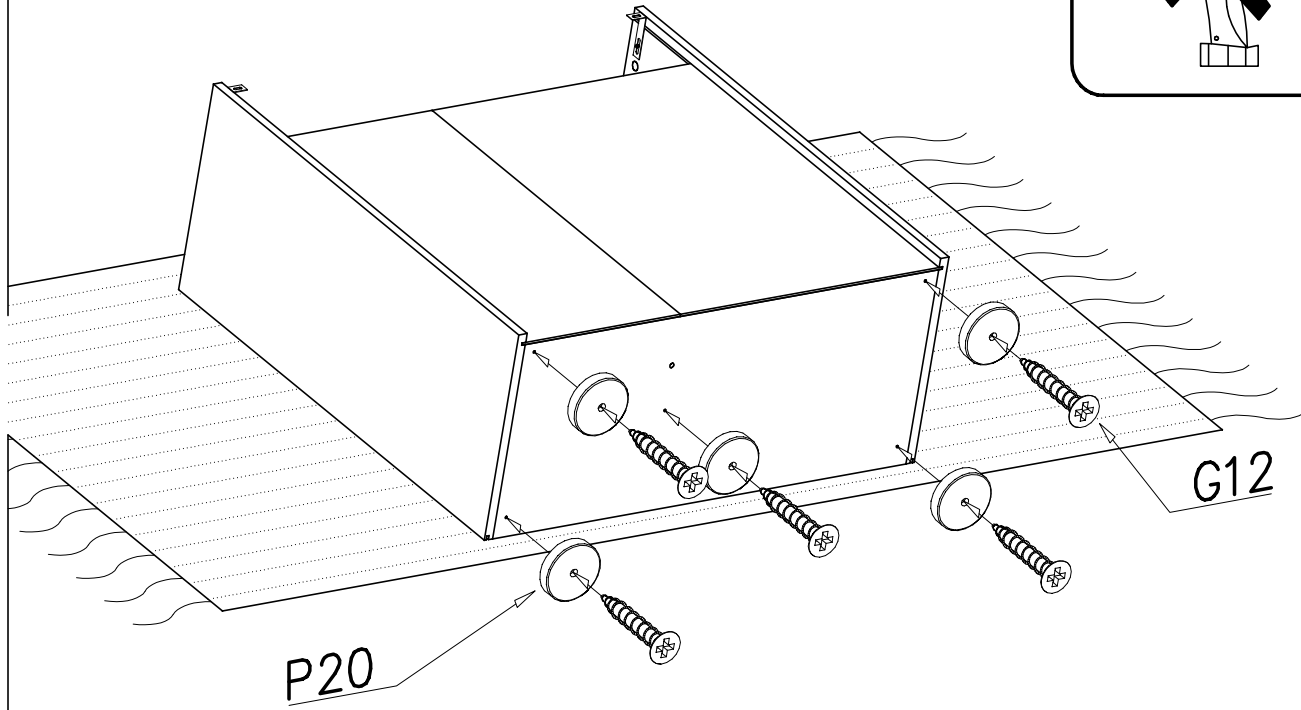
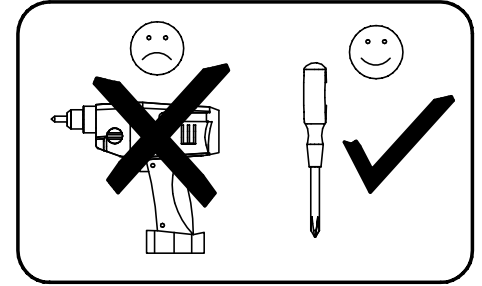


XVII

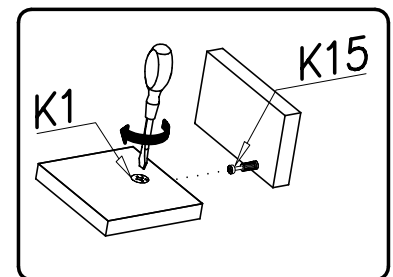
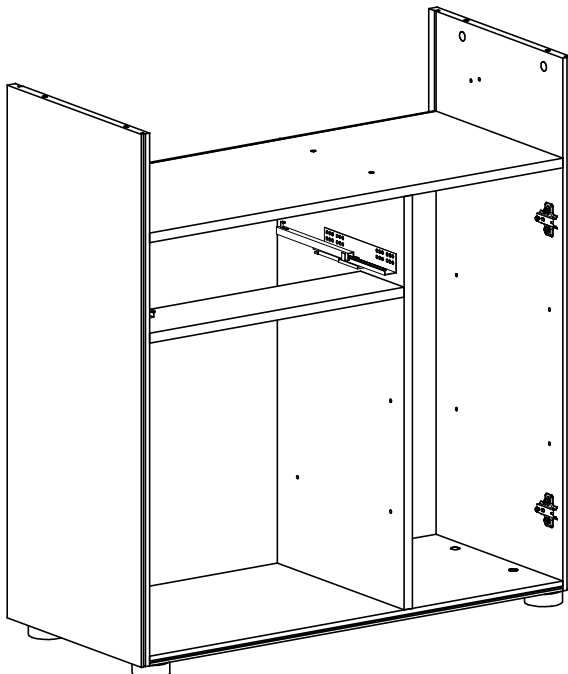
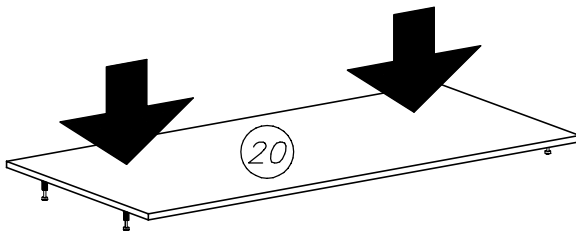




XVIII



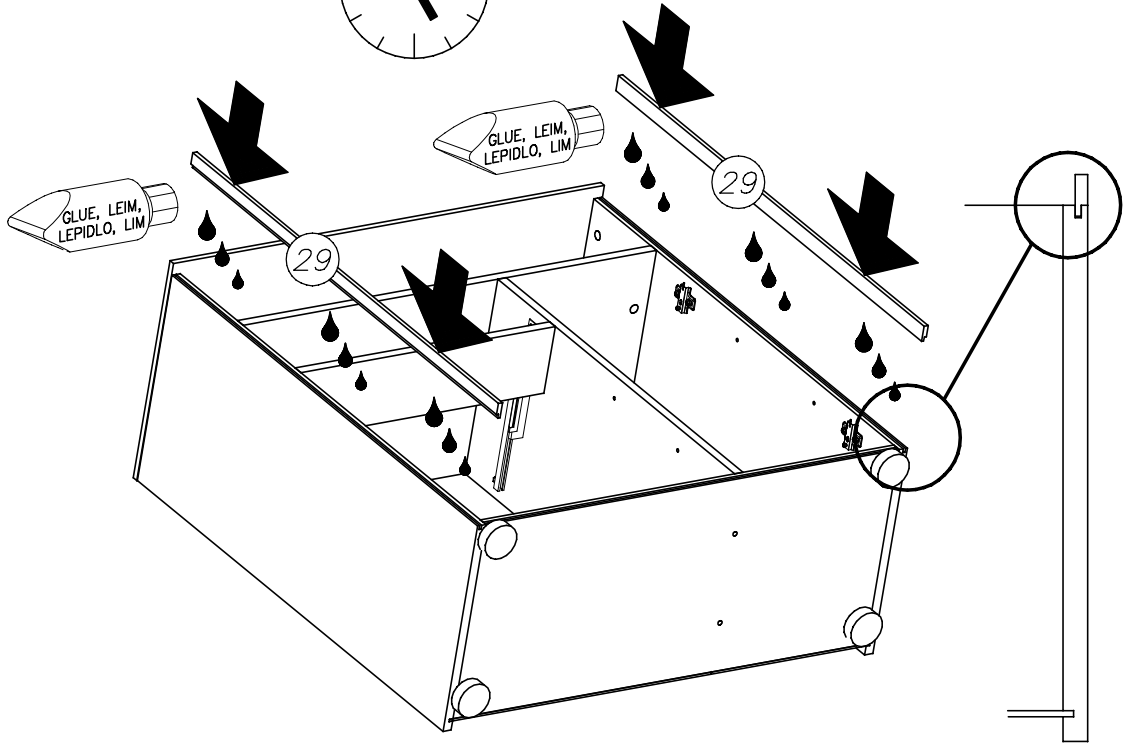
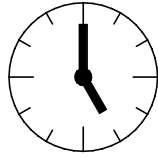
XIX





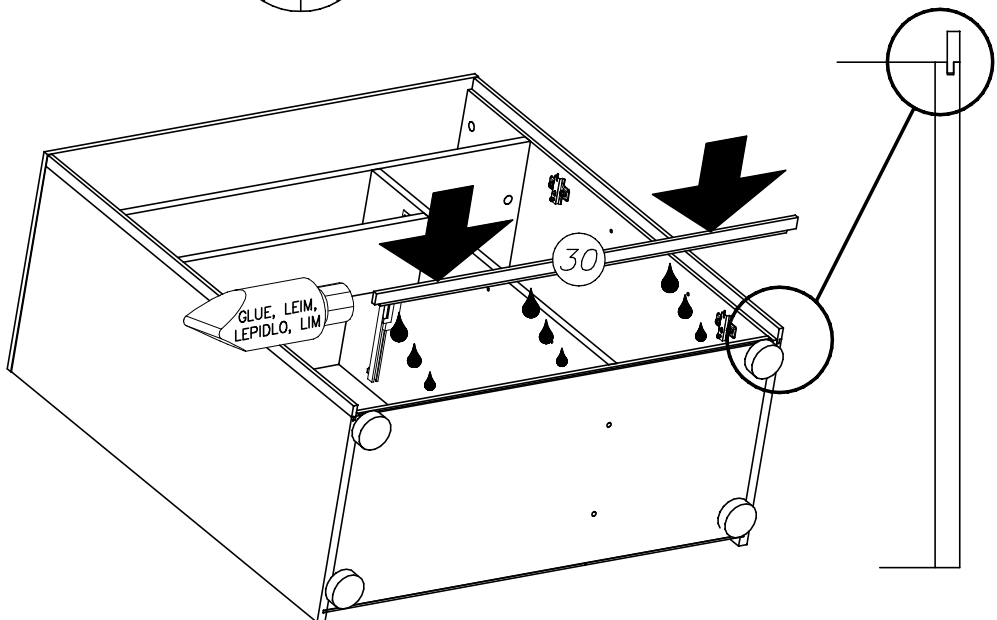
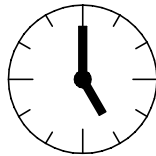
XX

0,5h



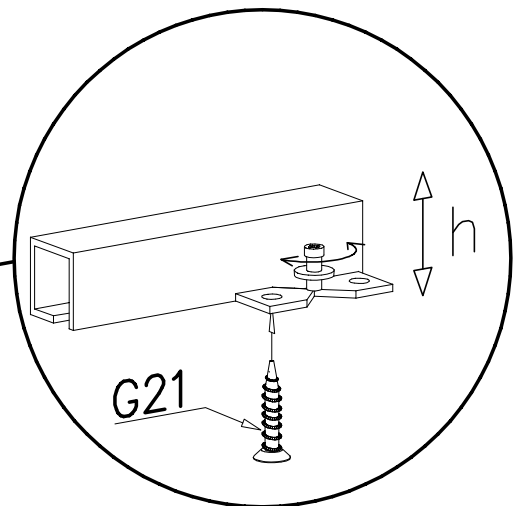
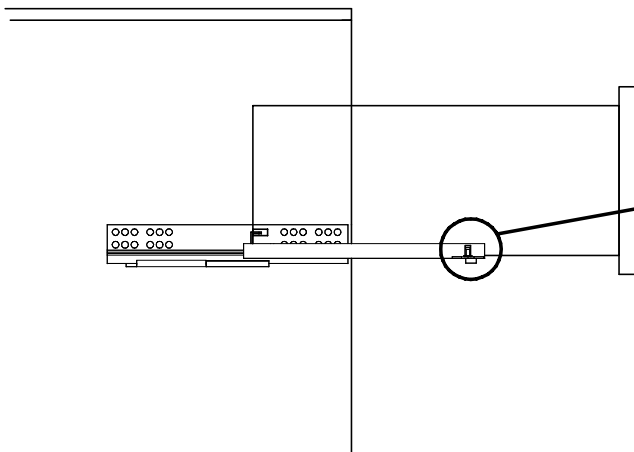
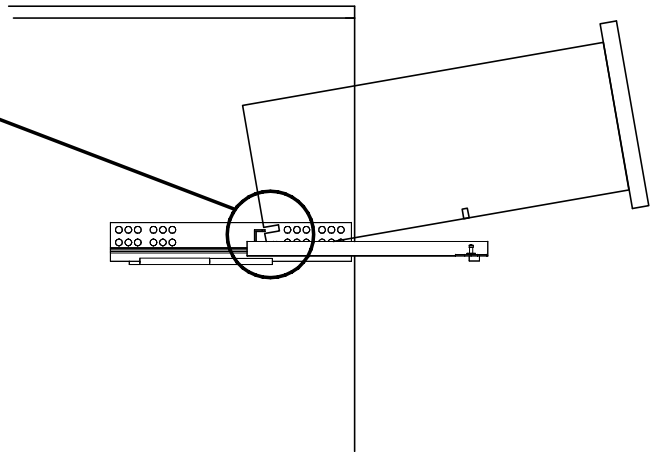
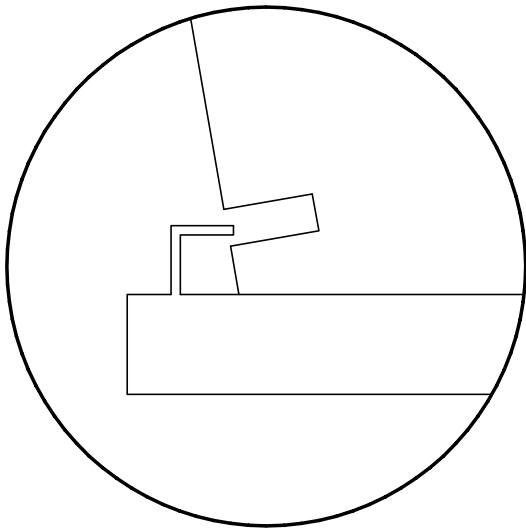
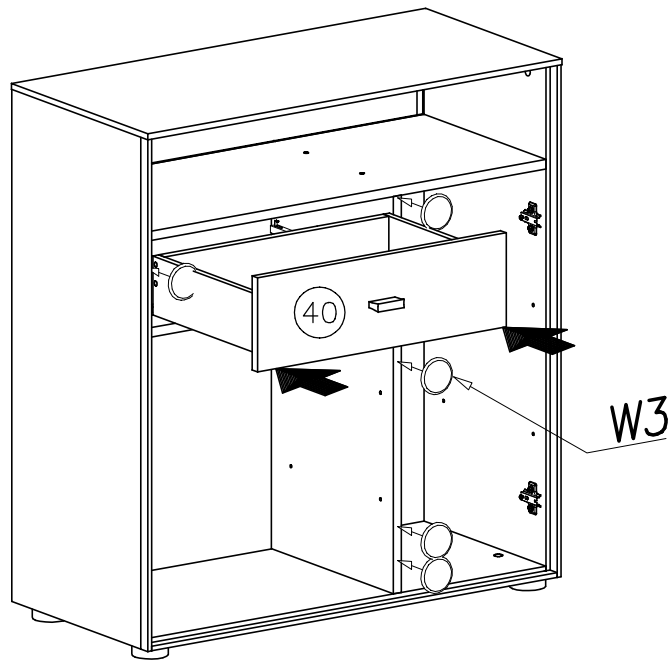
XXI

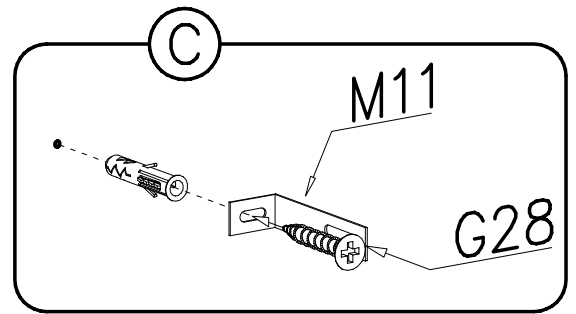
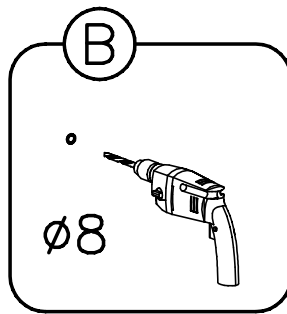
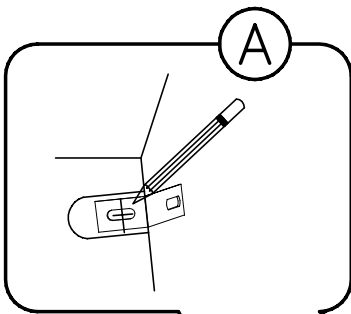
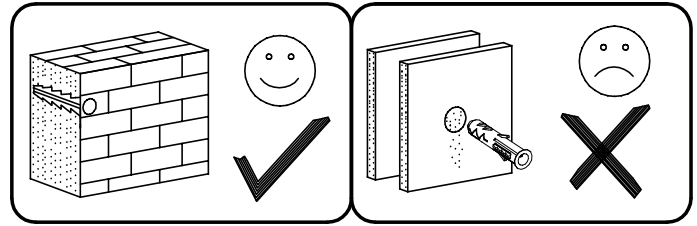
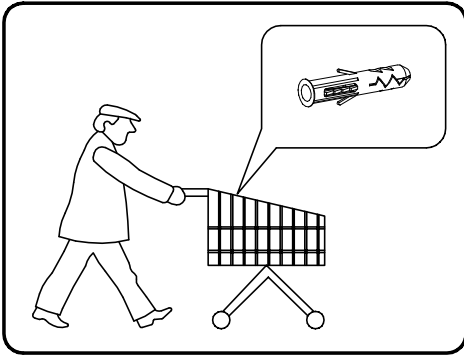
0,5h



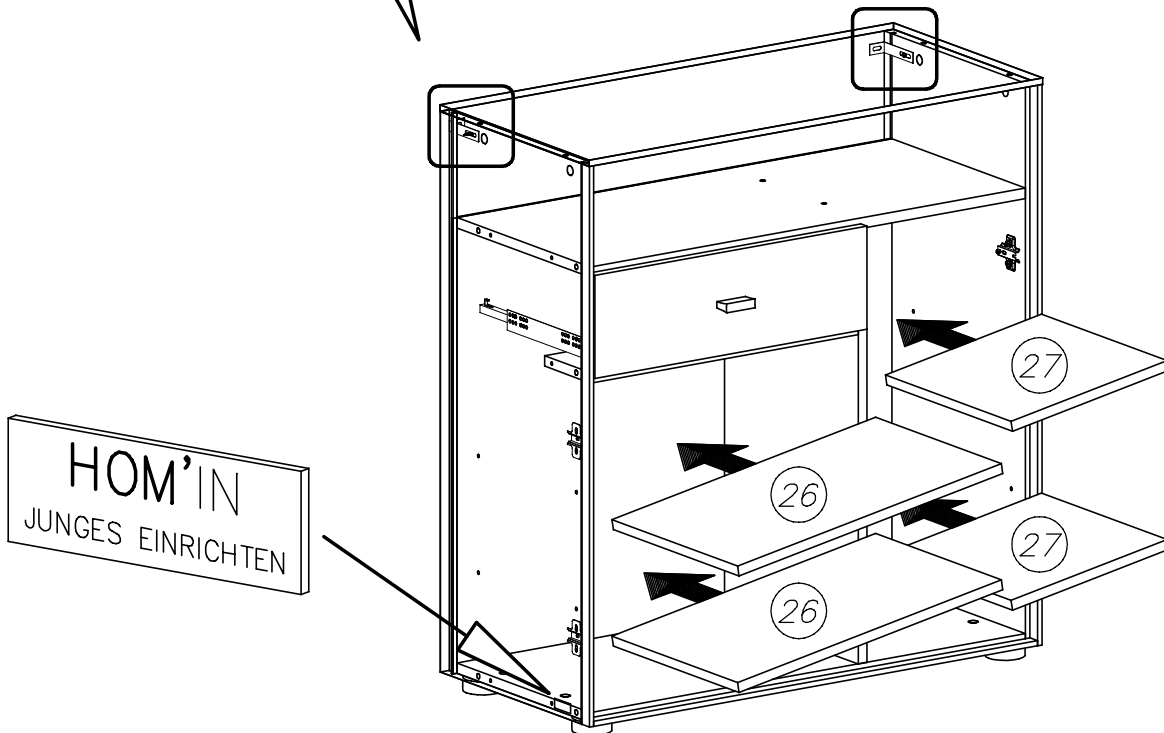


XXII



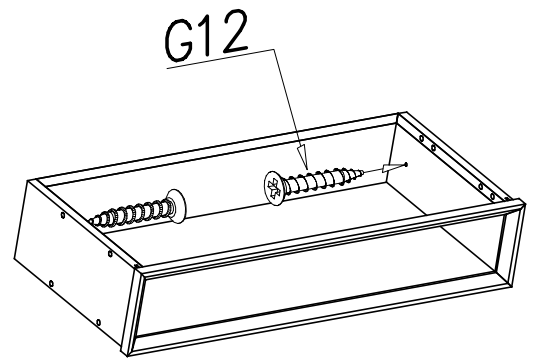
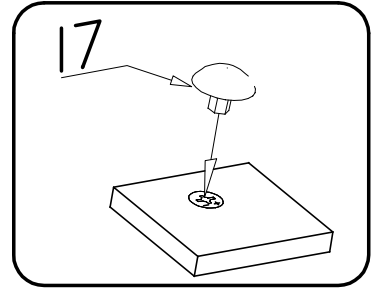
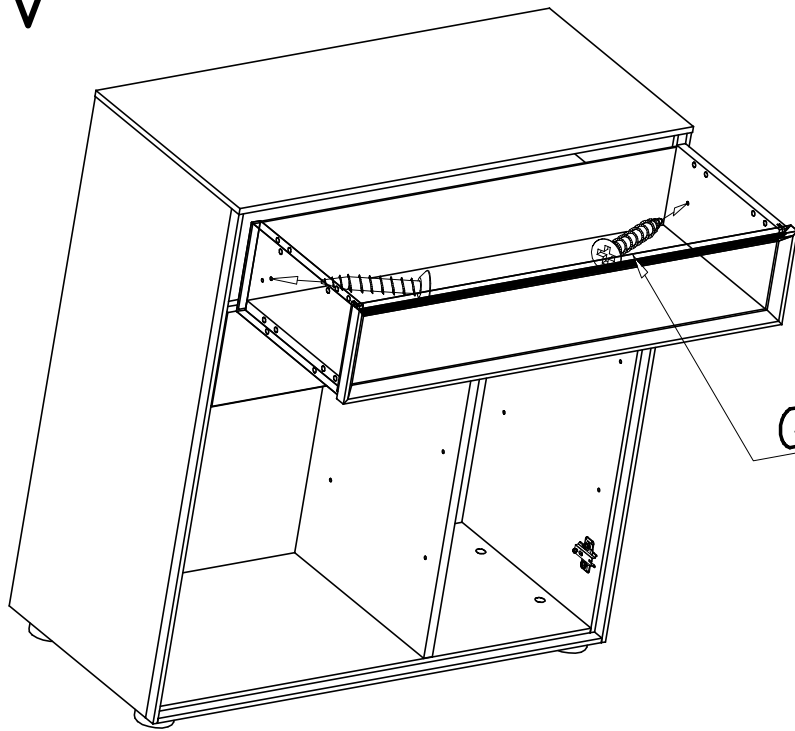


XXIII

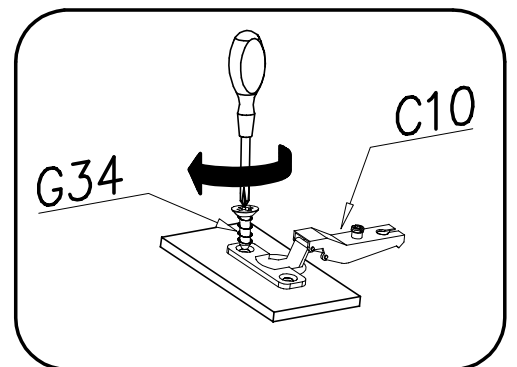
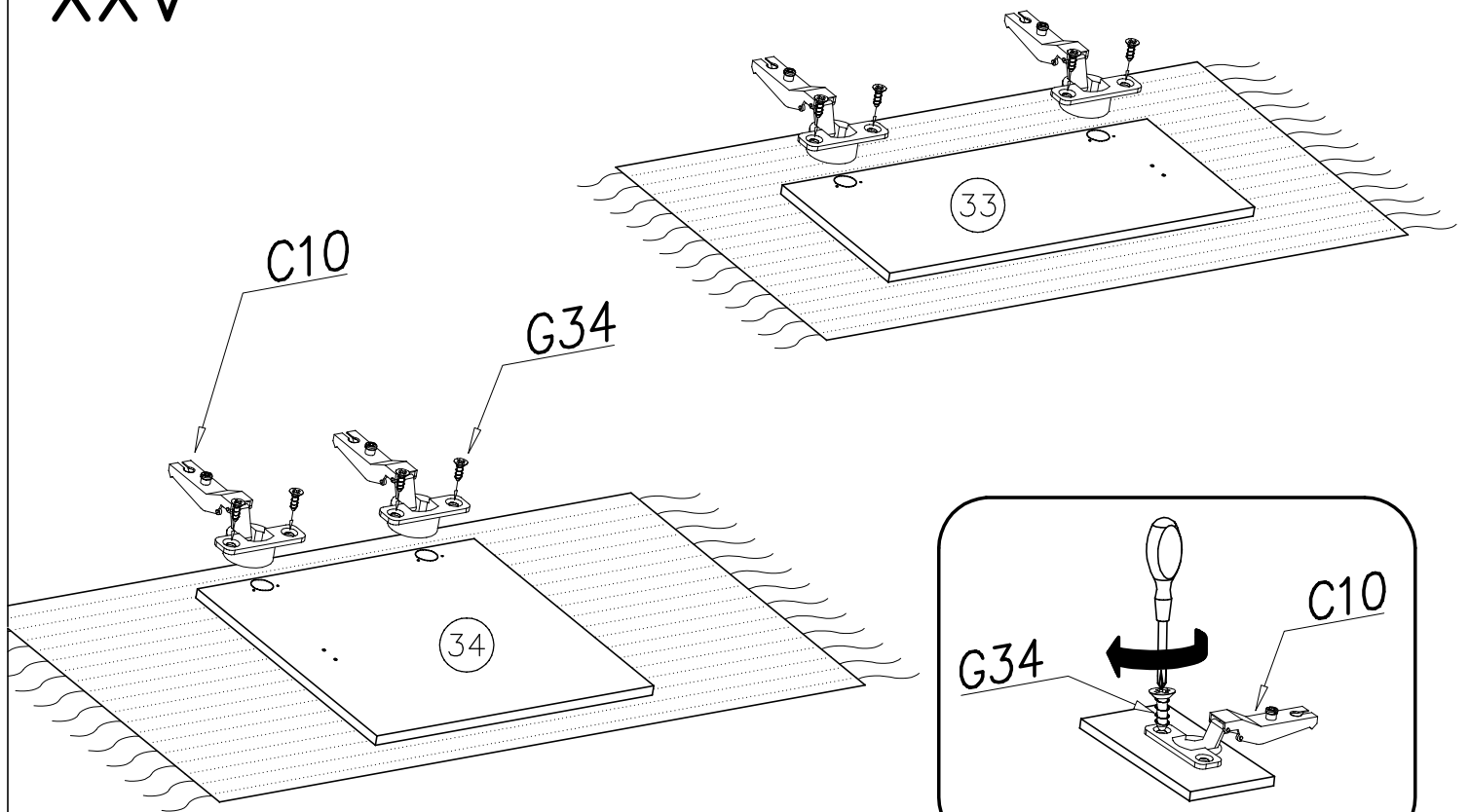




XXIV



XXV





XXVI

