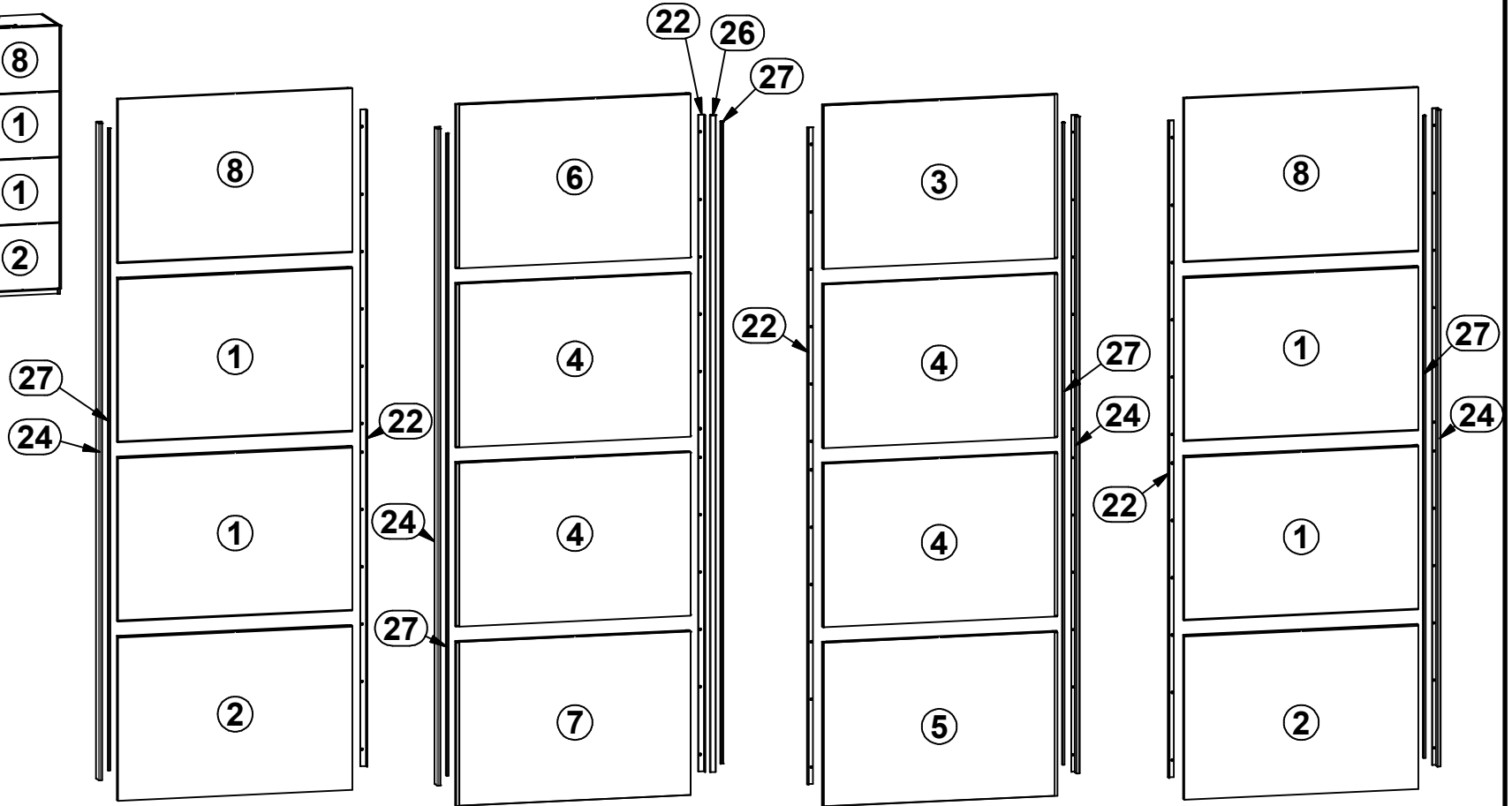
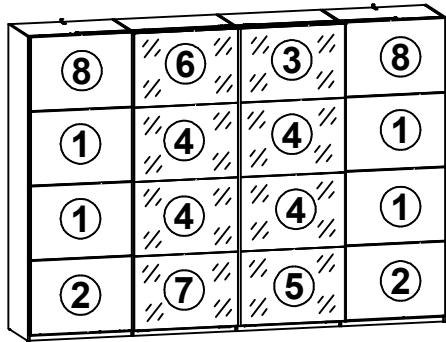
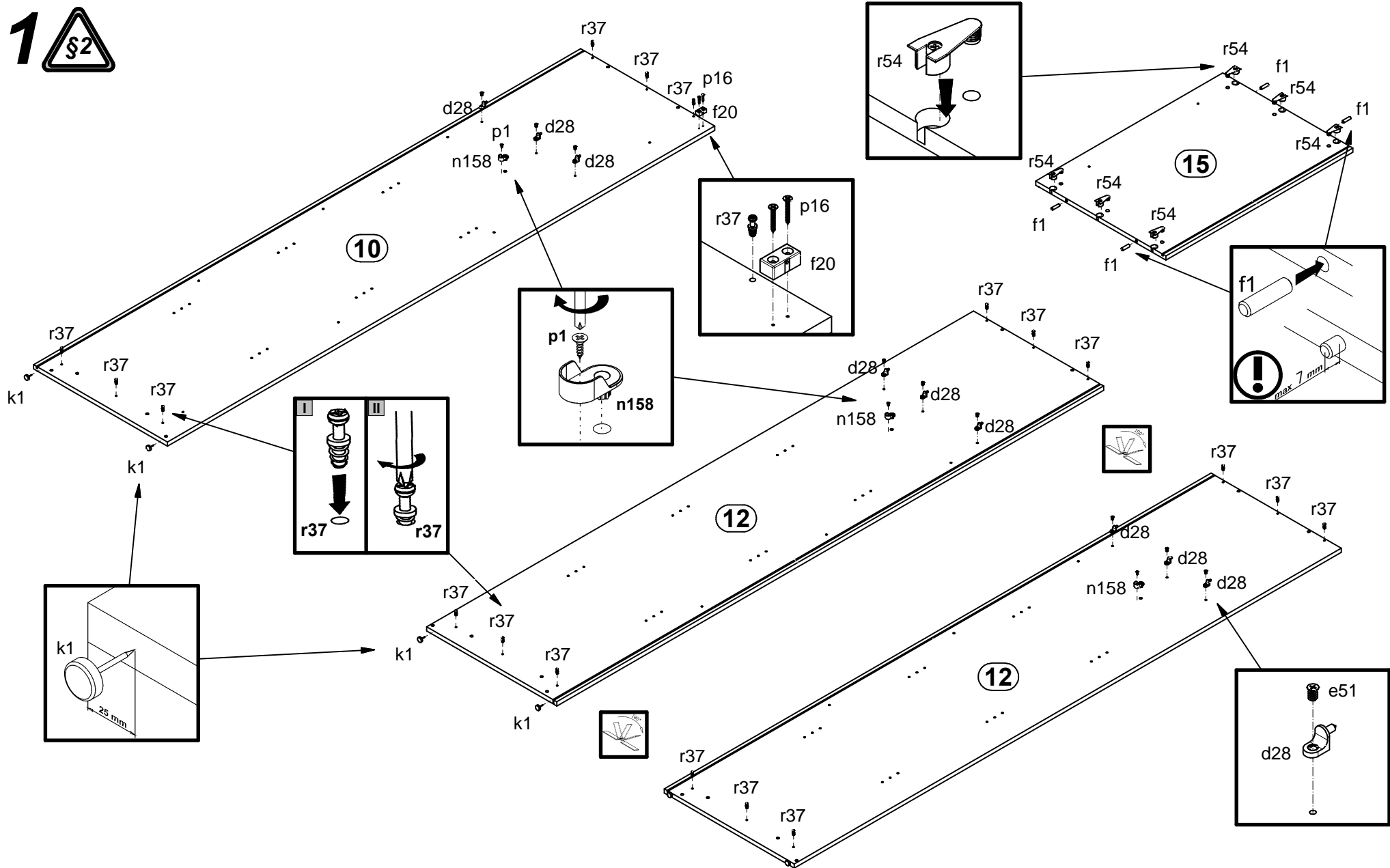


A	B	C (mm)		D
1	F42-0002	800	550	8/9 , 9/9
2	F42-0003	800	550	7/9
3	F42-0004	800	550	7/9
4	F42-0005	800	550	8/9 , 9/9
5	F42-0006	800	550	7/9
6	F42-0007	800	550	6/9
7	F42-0009	800	550	6/9
8	F42-0018	800	550	6/9
9	F42-1001 A	2250	551	1/9
10	F42-1002 A	2250	551	1/9
11	F42-1010 A	2249	535	2/9
12	F42-1011 A	2249	535	2/9
13	F42-1012 A	2249	535	2/9
14	F42-3001	769	535	4/9
15	F42-3003	769	535	4/9
16	F42-3005	769	480	3/9
17	F42-3006	768	480	3/9
18	F42-4001	769	51	4/9
19	F42-4002	769	51	4/9
20	F42-9301	2178	777	1/9
21	dr-765	765	30	4/9
22	w118\7	2200	16	5/9
23	w124\3	3118	32	5/9
24	w136\3	2200	37	5/9
25	w146\2	3118	51	5/9
26	w162\1	2200	50	5/9
27	EG-sp2200	2200	4,8	5/9

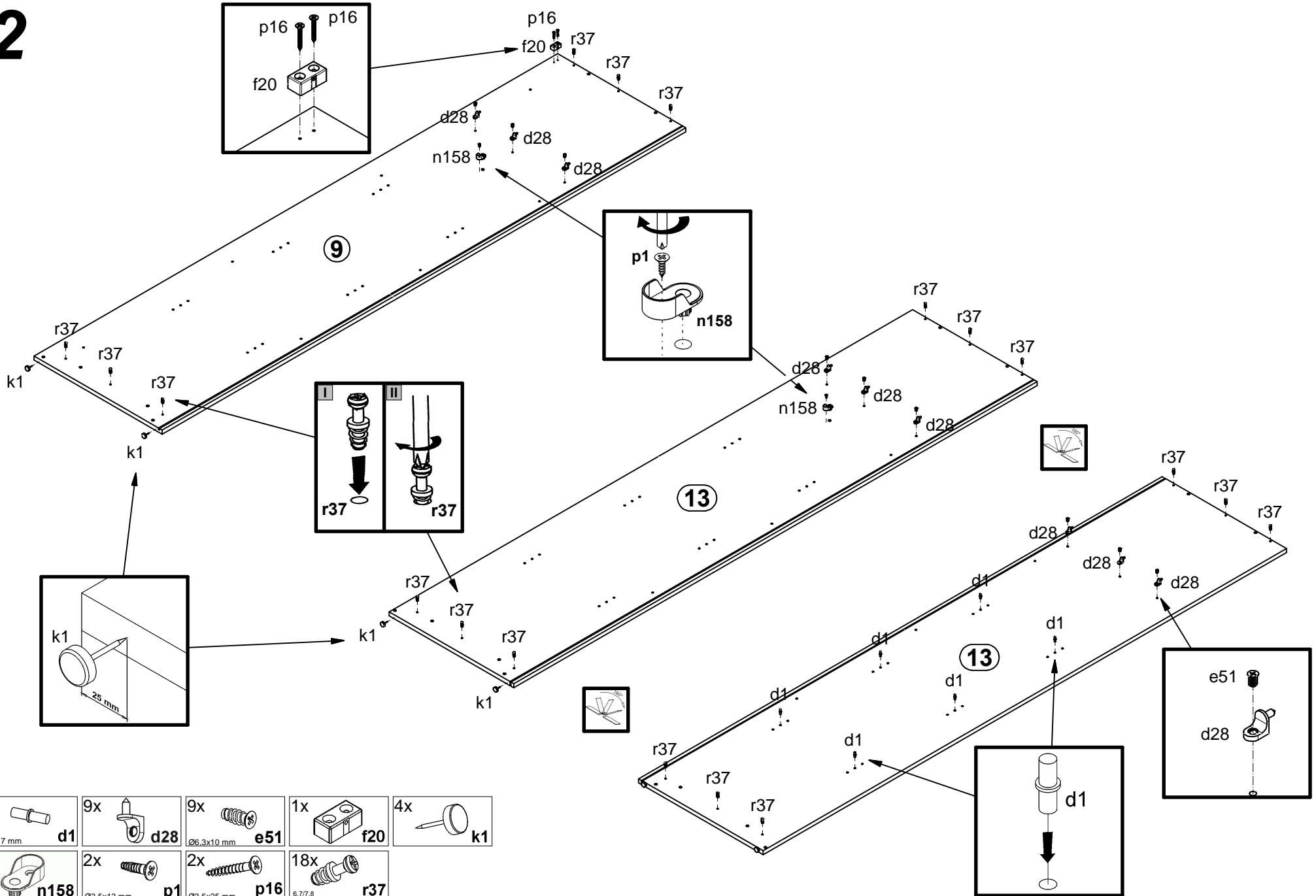


12x Ø5x17 mm d1	32x d20	24x d28	16x Ø7x50 mm e1	56x Ø6,3x13 mm e5	32x Ø6,3x10 mm e50	24x Ø6,3x10 mm e51	48x Ø8x30 mm f1	2x f20	2x Ø10x50 mm f35	2x f55	2x M5x20 mm j148	2x M5 j149
5x M4x6 j154	10x k1	48x l2	2x 88x21x15/1,5 n14/2	4x n45	4x n46/3	2x n139	24x 90x50/1,5 mm n148	6x n158	4x n188	2x n189	6x Ø3,5x13 mm p1	4x Ø3,5x25 mm p16
2x Ø5x60 mm p17	15x Ø3,5x16 mm p25	4x Ø3,5x16 mm p38	207x Ø4x13 mm p93	48x 6,7/7,8 r37	48x Ø20x13,5 mm r54	16x s1	16x Ø12x0,5 mm s59	2x w146/4	1x w146/5	1x w146/6	1x z1	



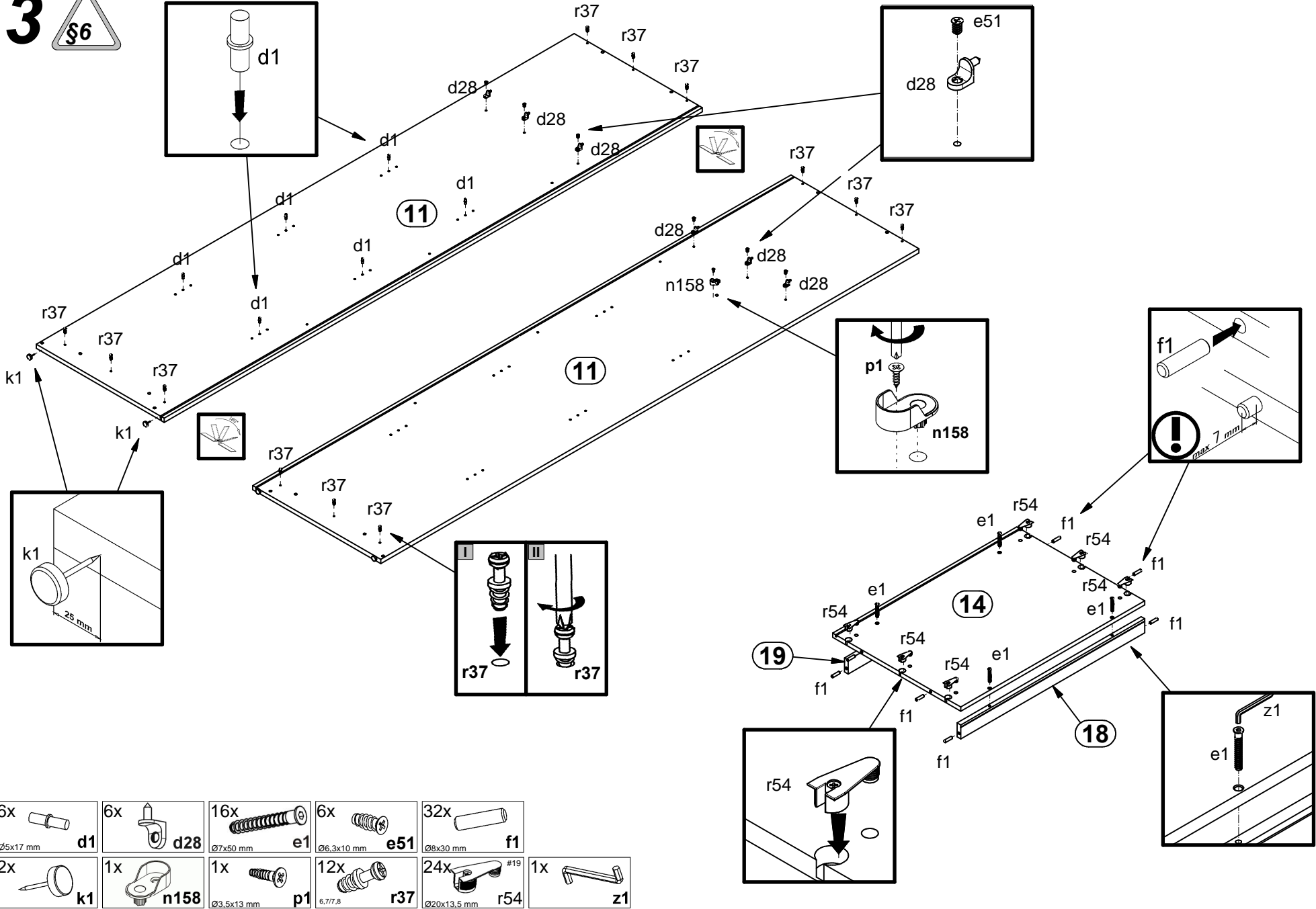
- |    |     |    |            |     |          |    |     |    |    |    |      |    |            |    |            |     |         |    |             |
|----|-----|----|------------|-----|----------|----|-----|----|----|----|------|----|------------|----|------------|-----|---------|----|-------------|
| 9x |     | 9x |            | 16x |          | 1x |     | 4x |    | 3x |      | 3x |            | 2x |            | 18x |         | 6x |             |
|    | d28 |    | e51        |     | f1       |    | f20 |    | k1 |    | n158 |    | p1         |    | p16        |     | r37     |    | r54         |
|    |     |    | Ø6.3x10 mm |     | Ø8x30 mm |    |     |    |    |    |      |    | Ø3.5x13 mm |    | Ø3.5x25 mm |     | 6,777,8 |    | Ø20x13,5 mm |

2



6x Ø5x17 mm d1	9x d28	9x Ø6.3x10 mm e51	1x f20	4x k1
2x n158	2x Ø3.5x13 mm p1	2x Ø3.5x25 mm p16	18x 6,7/7,8 r37	

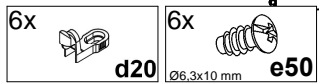
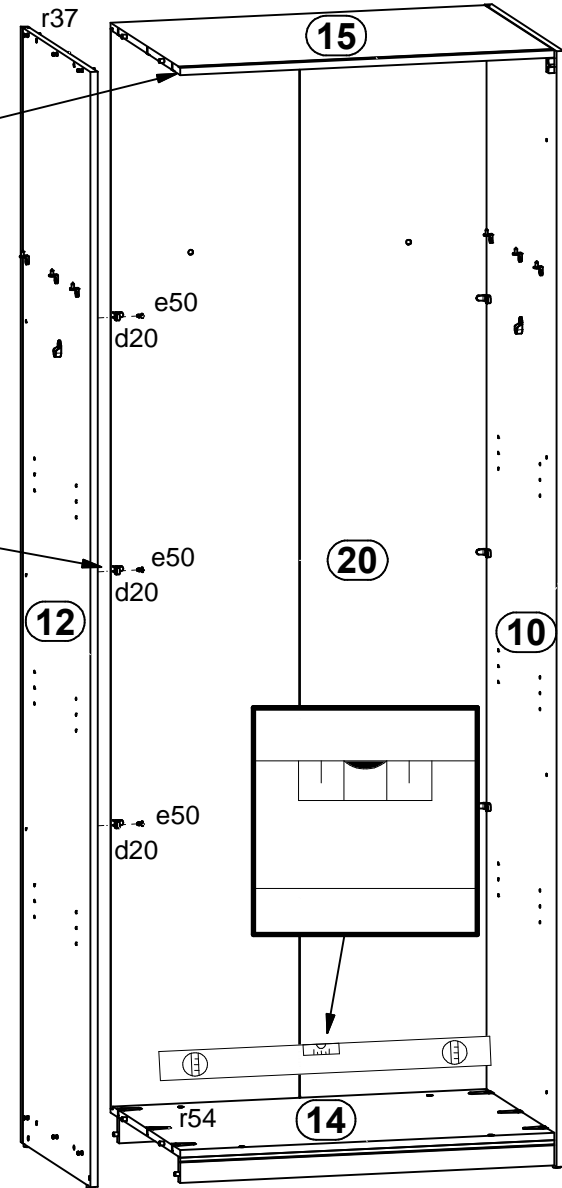
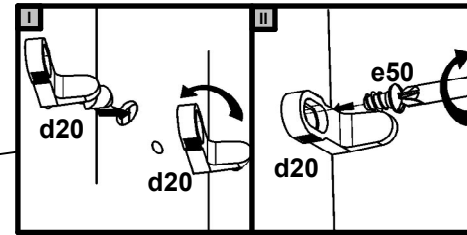
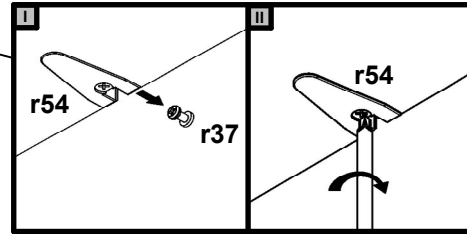
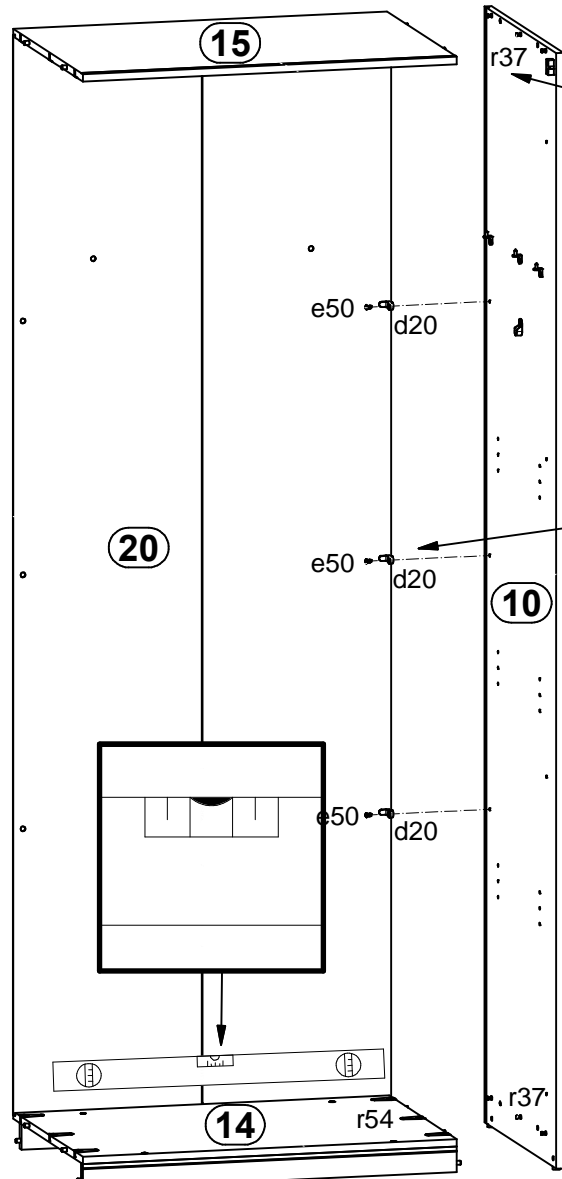
3



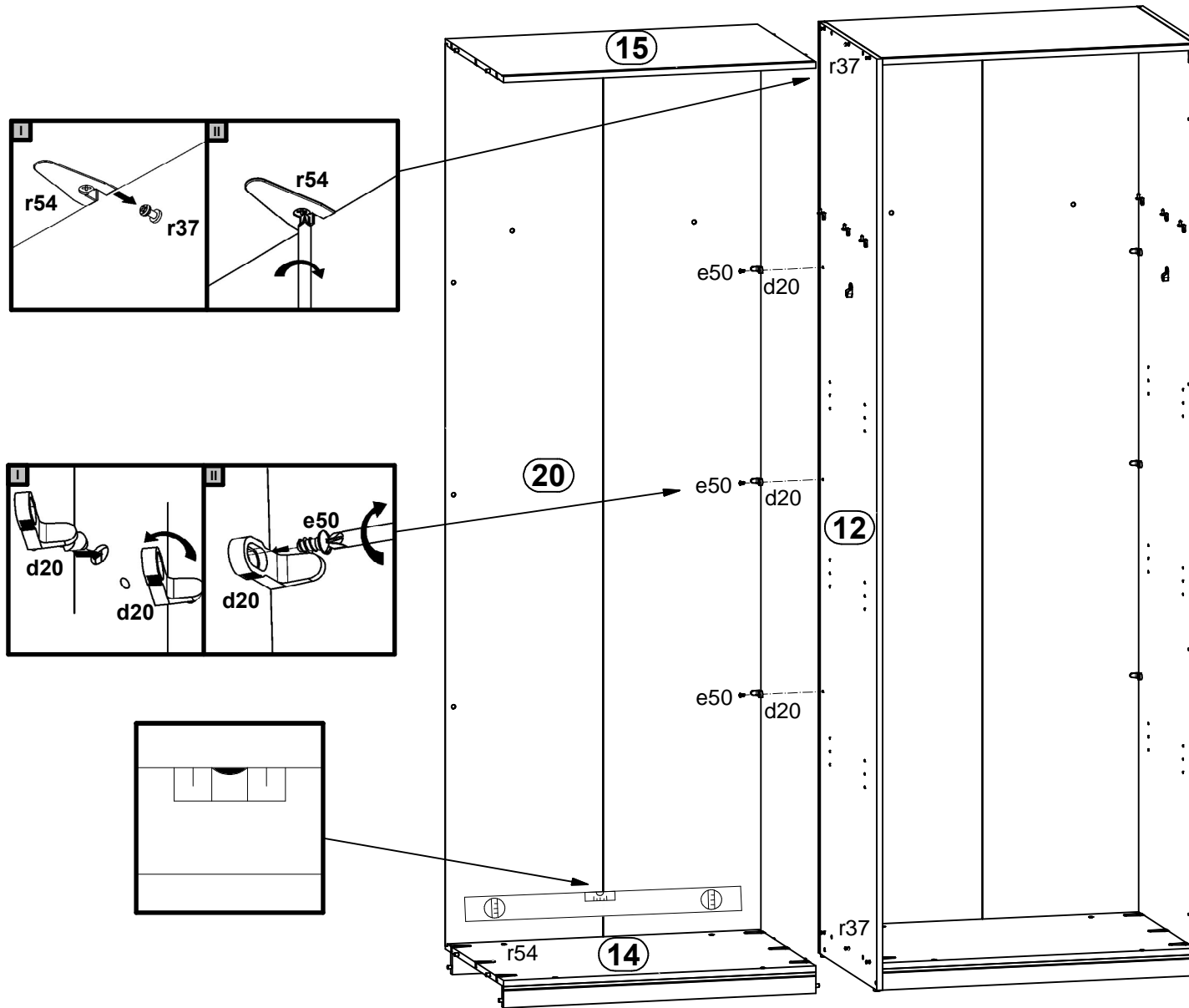
6x Ø5x17 mm d1	6x d28	16x Ø7x50 mm e1	6x Ø6.3x10 mm e51	32x Ø8x30 mm f1
2x k1	1x n158	1x Ø3.5x13 mm p1	12x 6,7/7,8 r37	24x #19 Ø20x13.5 mm r54
				1x z1

4

5



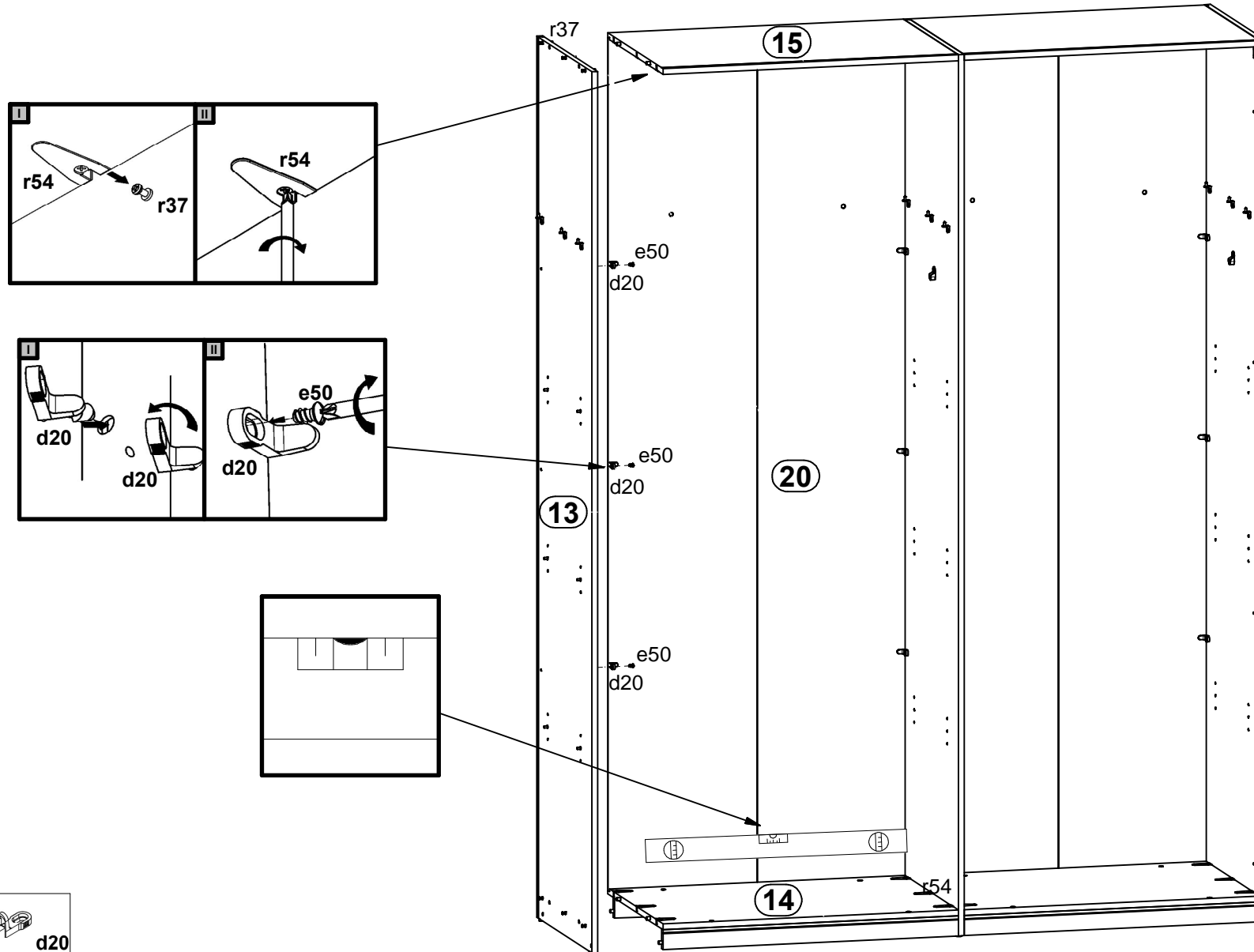
# 6



- 3x d20
  - 3x e50
- Ø6,3x10 mm



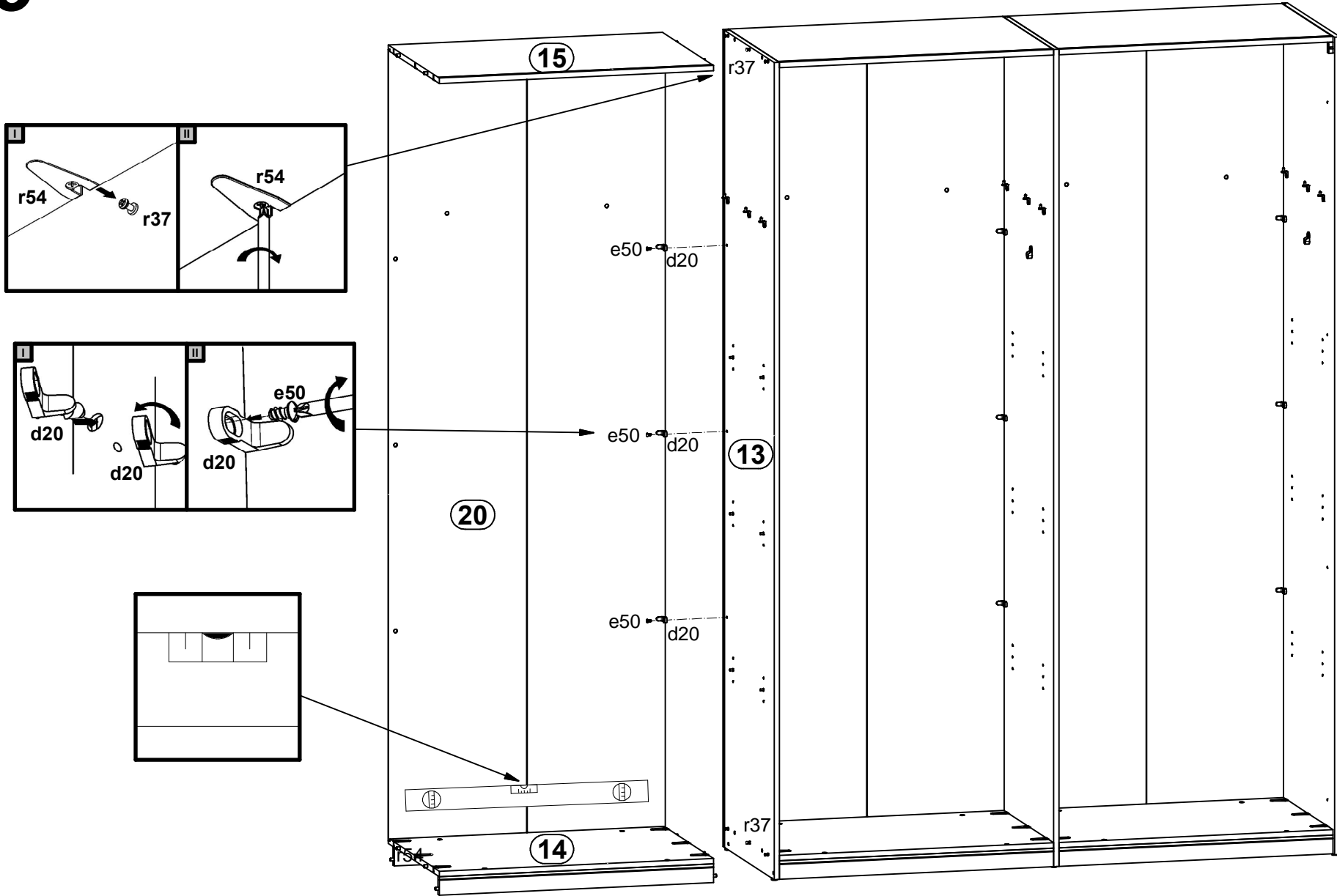
7



3x  
  
d20

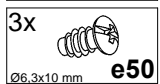
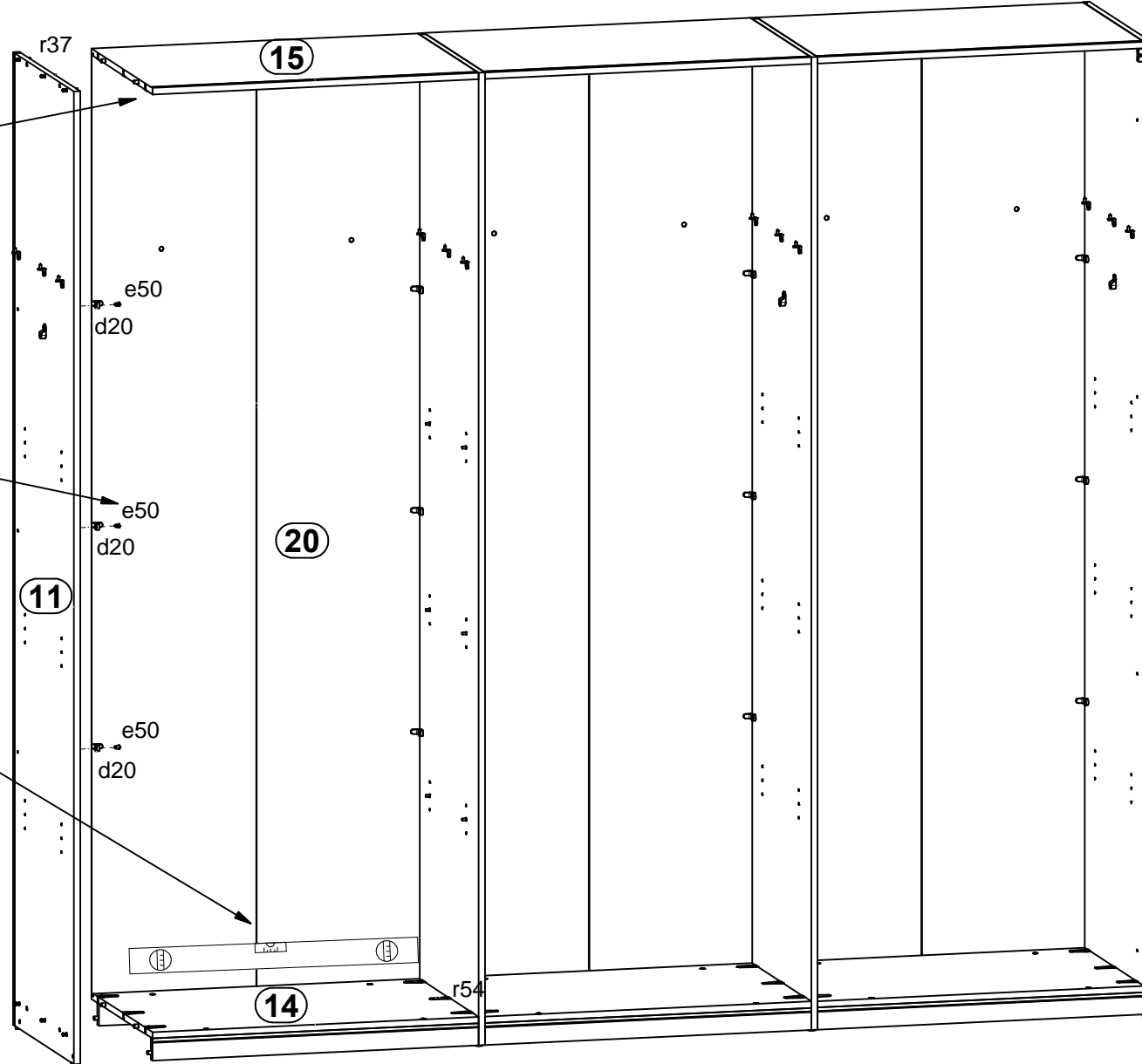
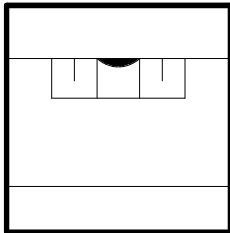
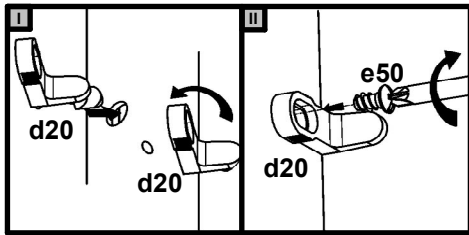
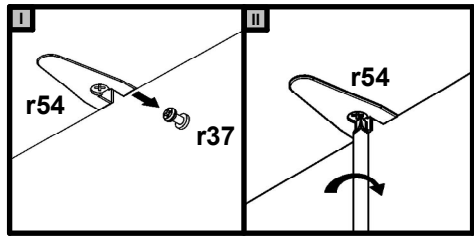
3x  
  
Ø6,3x10 mm e50

8

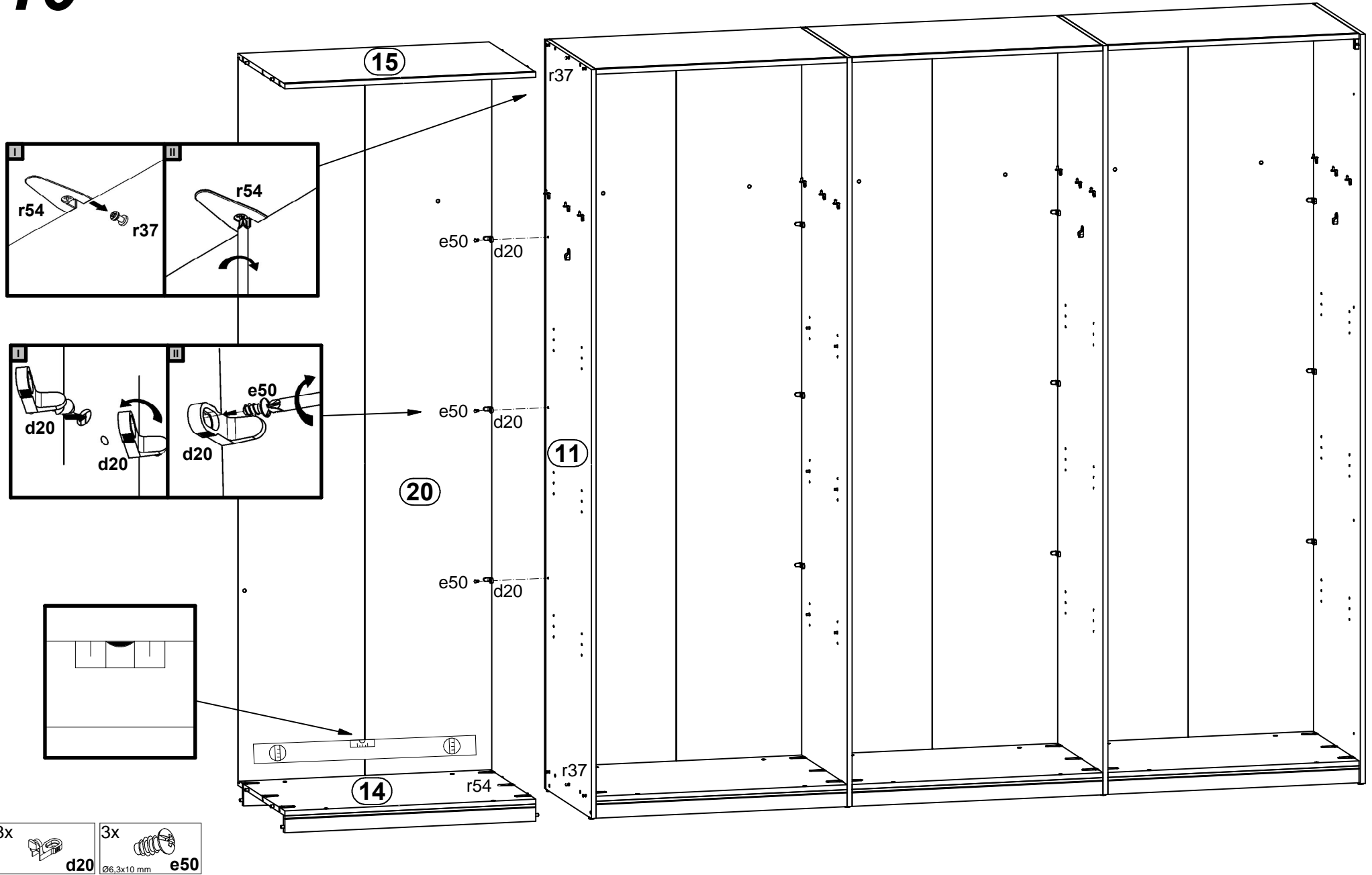


- 3x d20
- 3x Ø6.3x10 mm e50

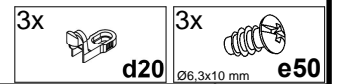
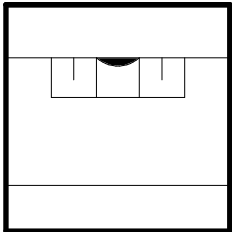
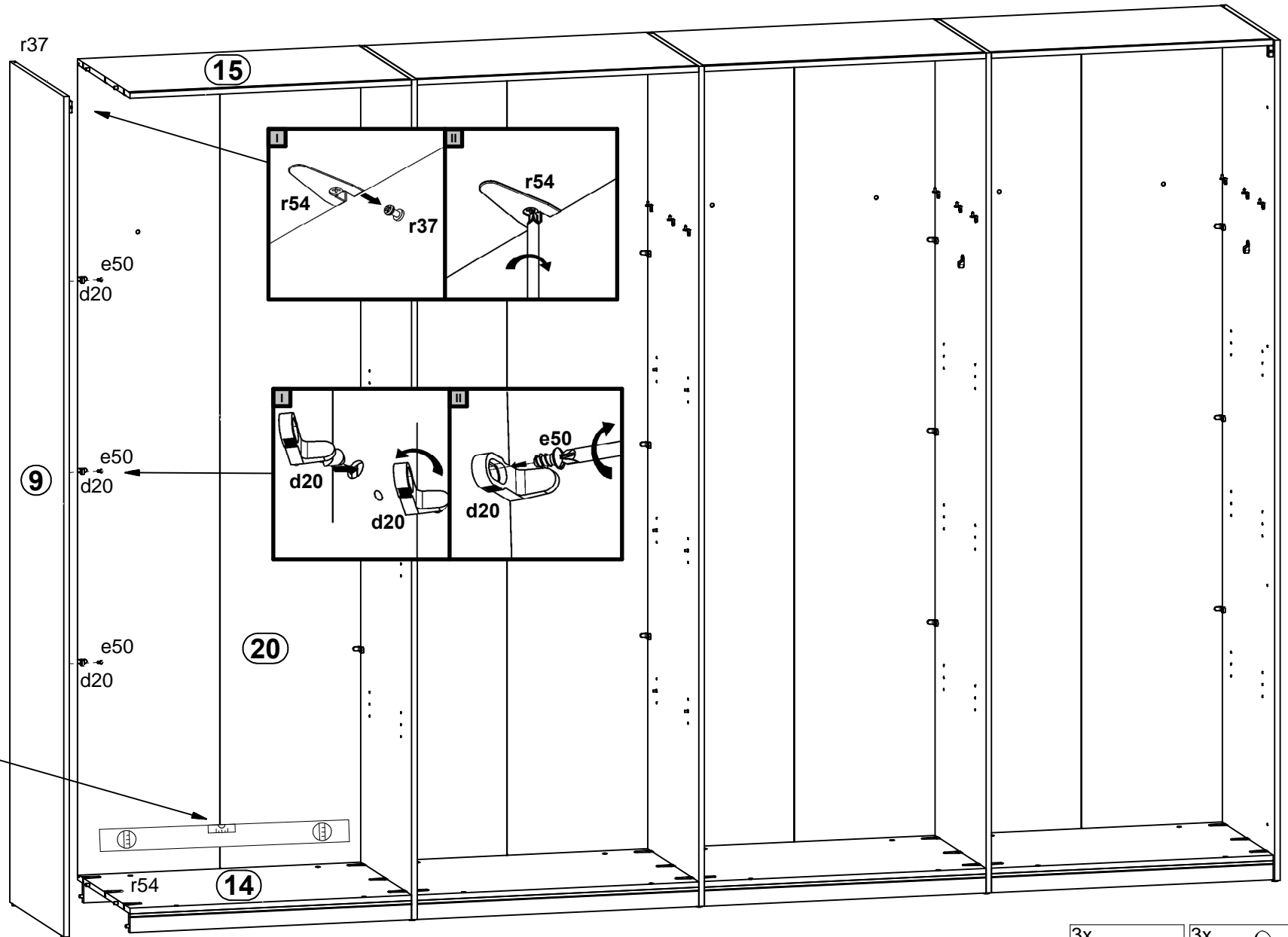
# 9



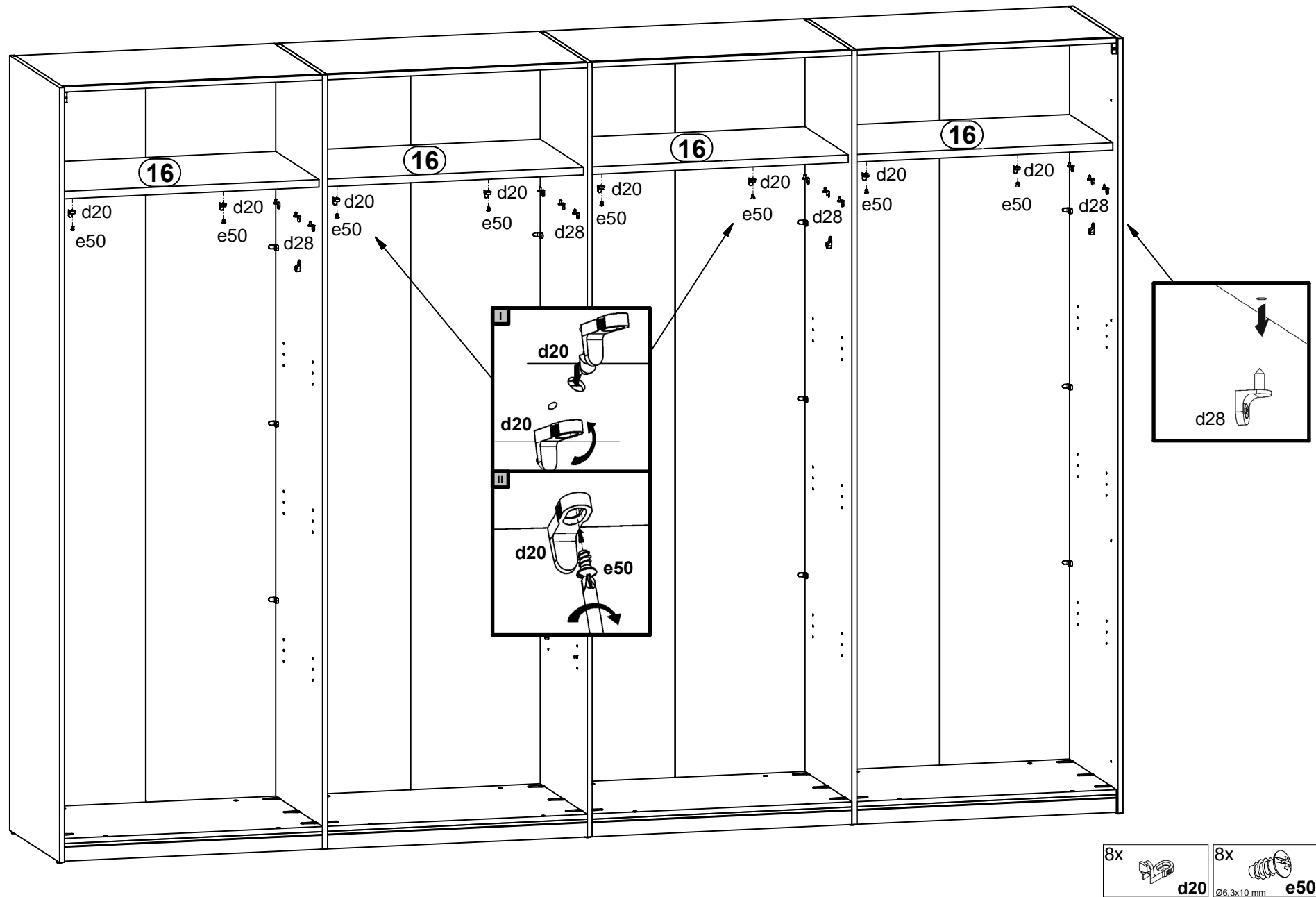
# 10



11

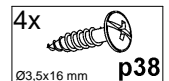
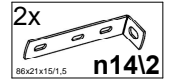
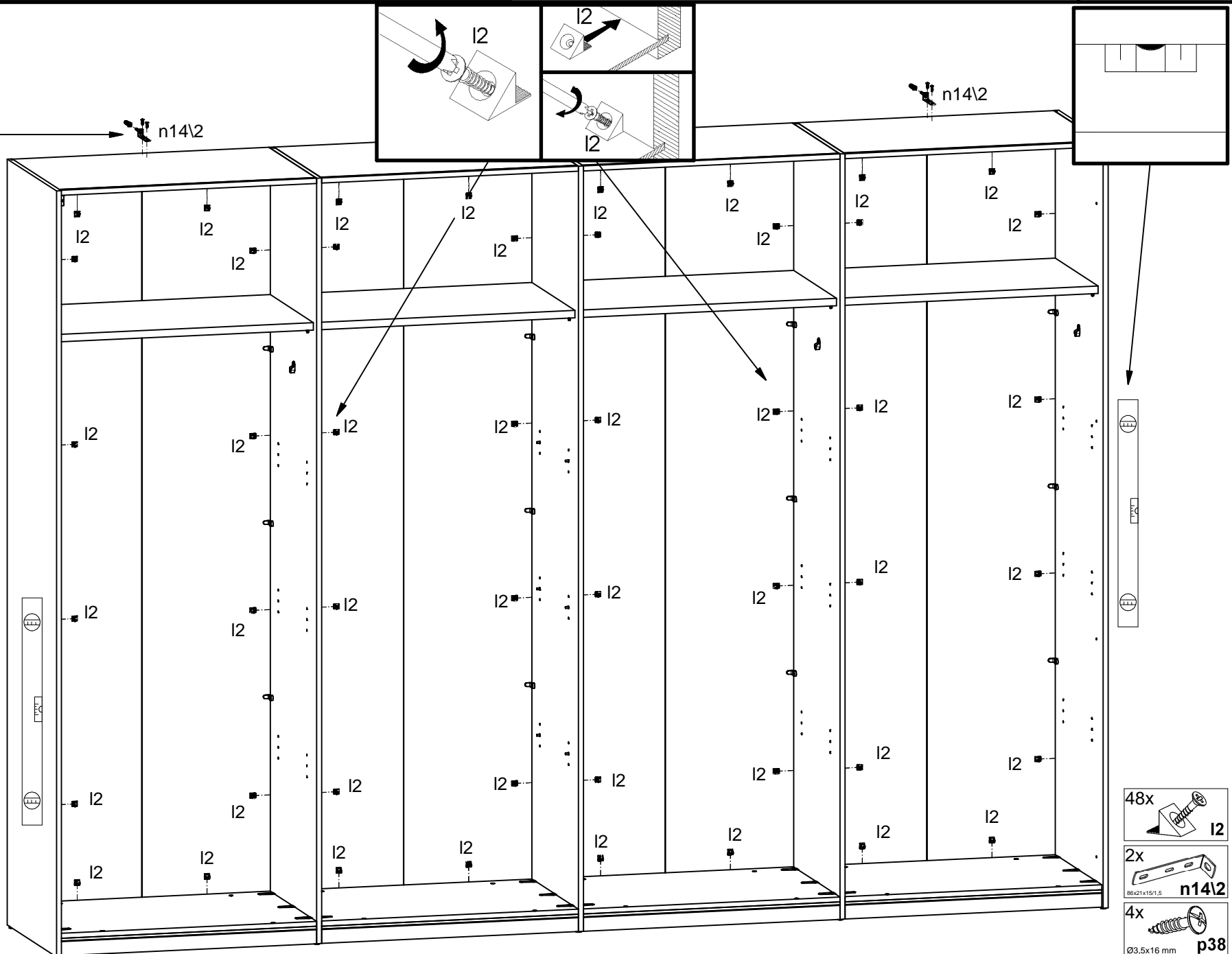
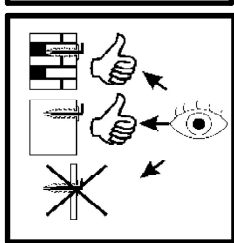
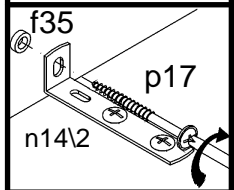
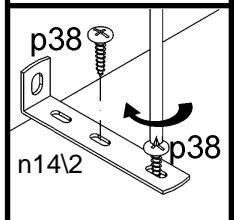
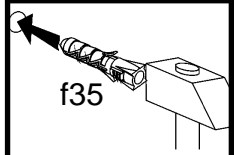
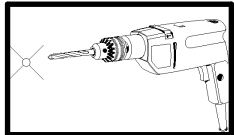


12

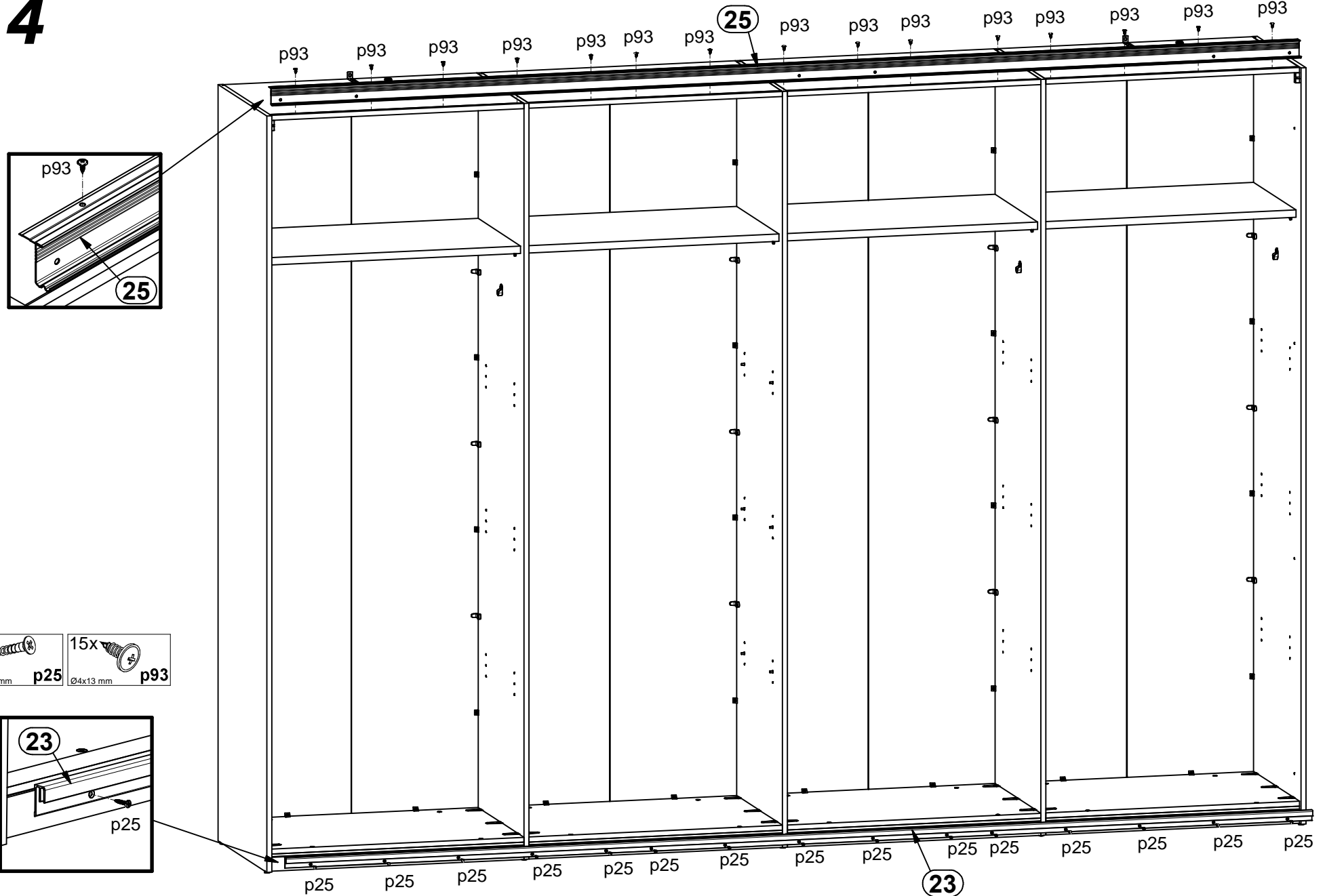


8x d20 8x e50  
Ø6,3x10 mm

# 13

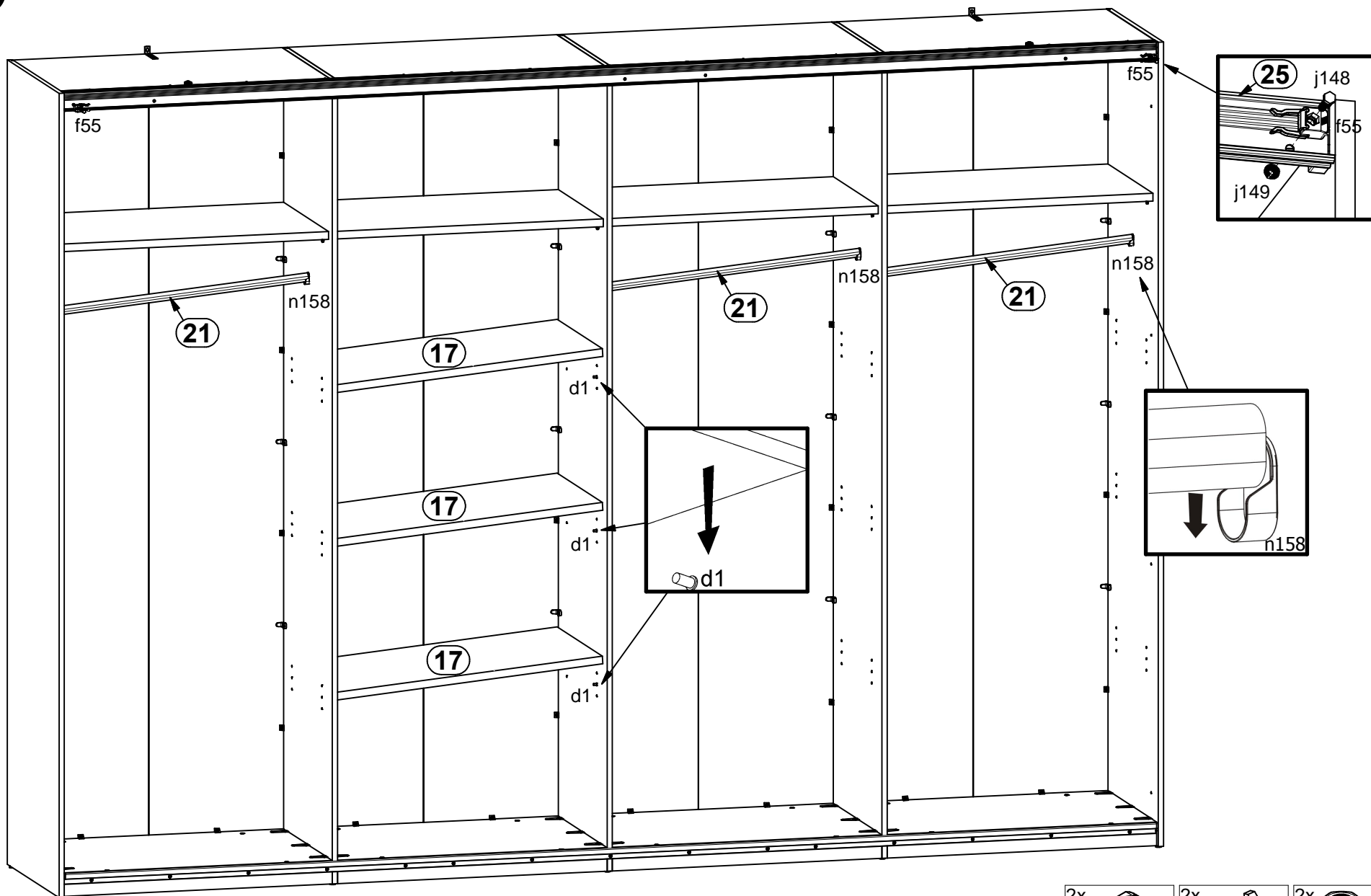


14



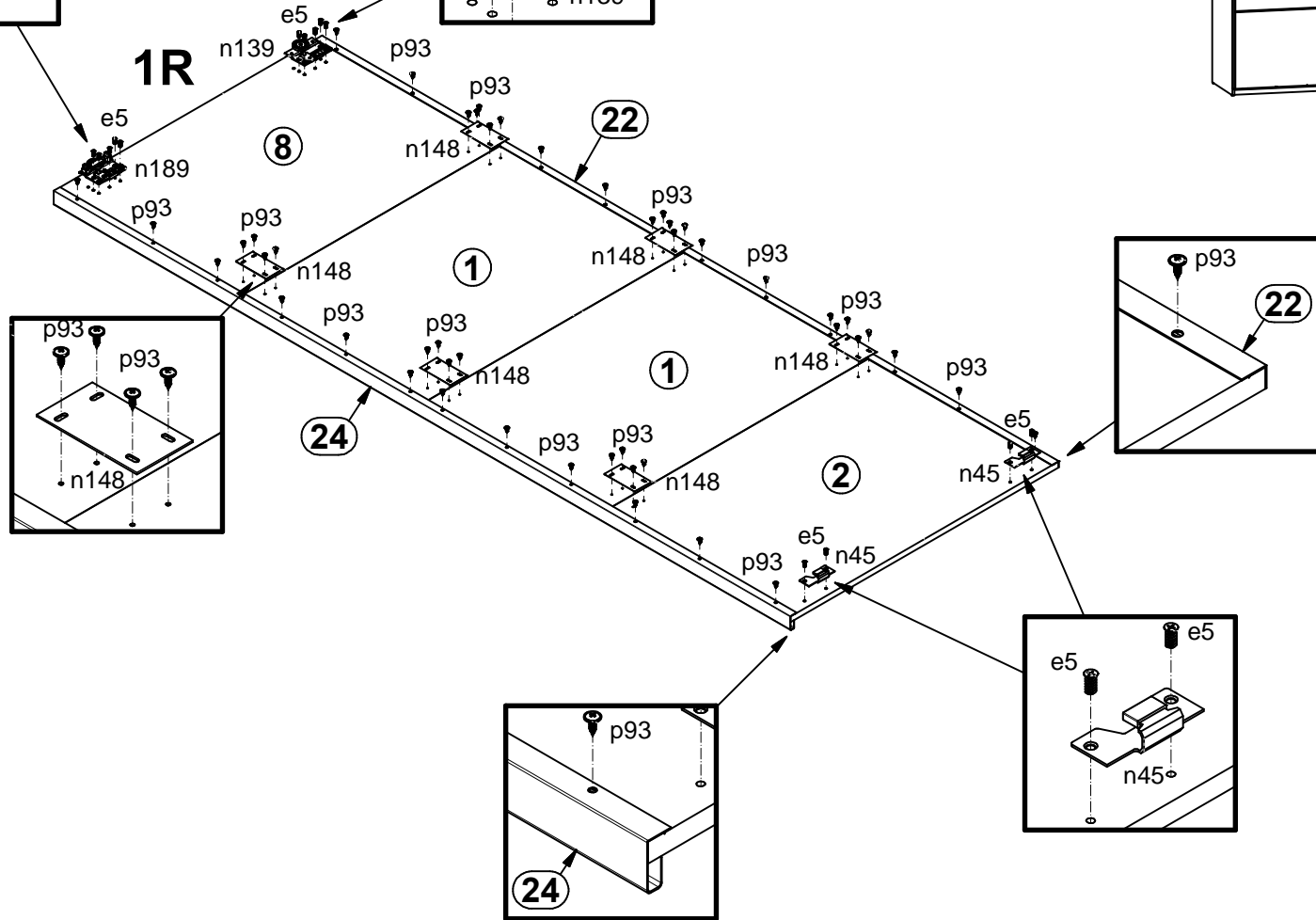
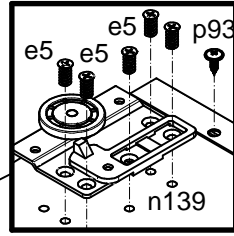
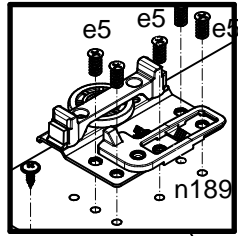
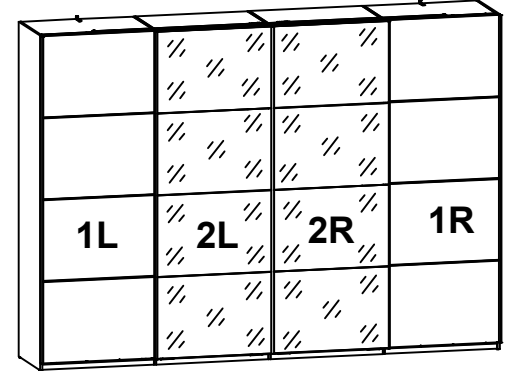


# 15



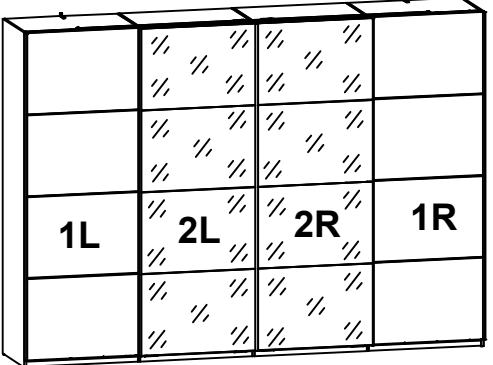
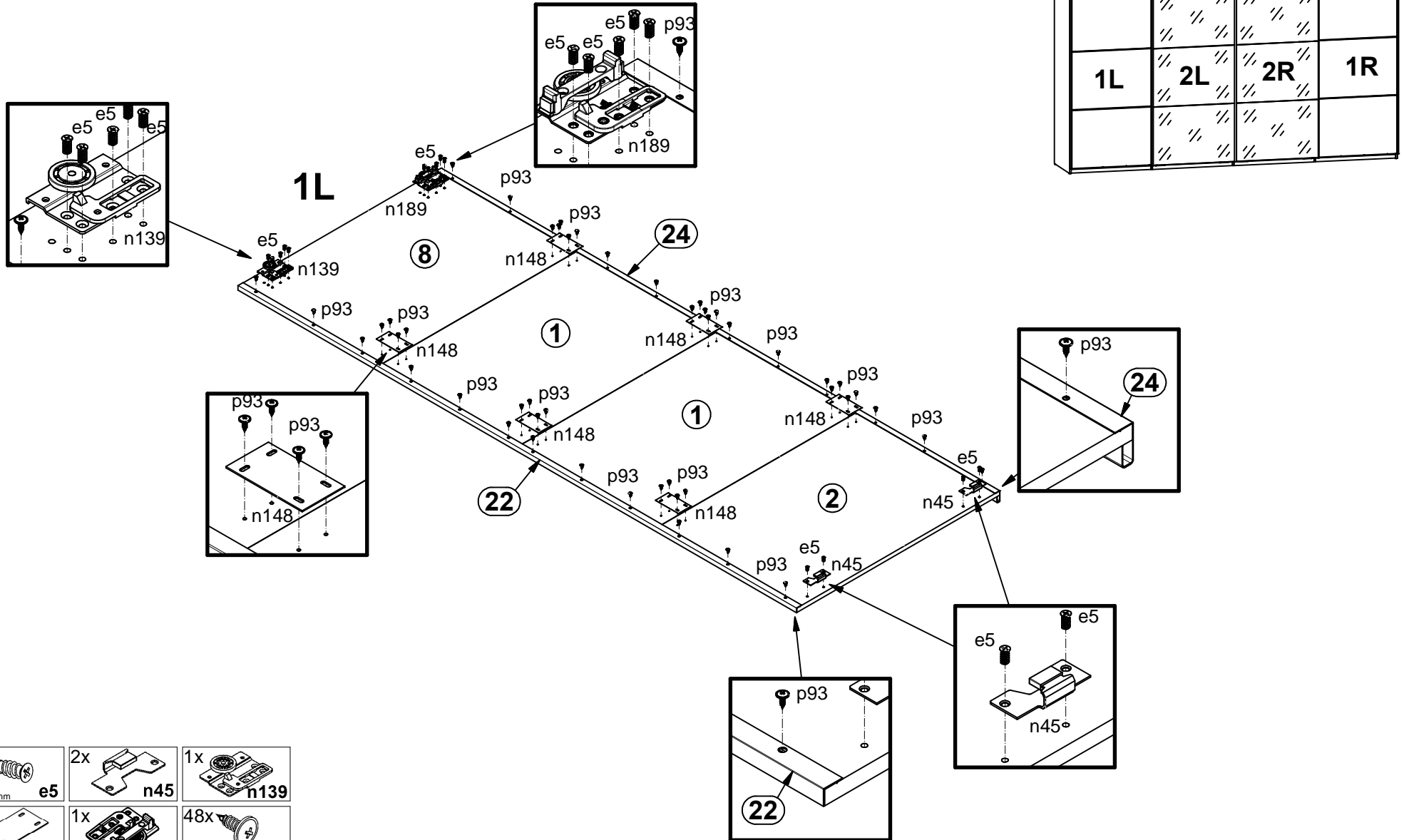
- 2x  f55
- 2x  M5x20 mm j148
- 2x  M5 j149

# 16



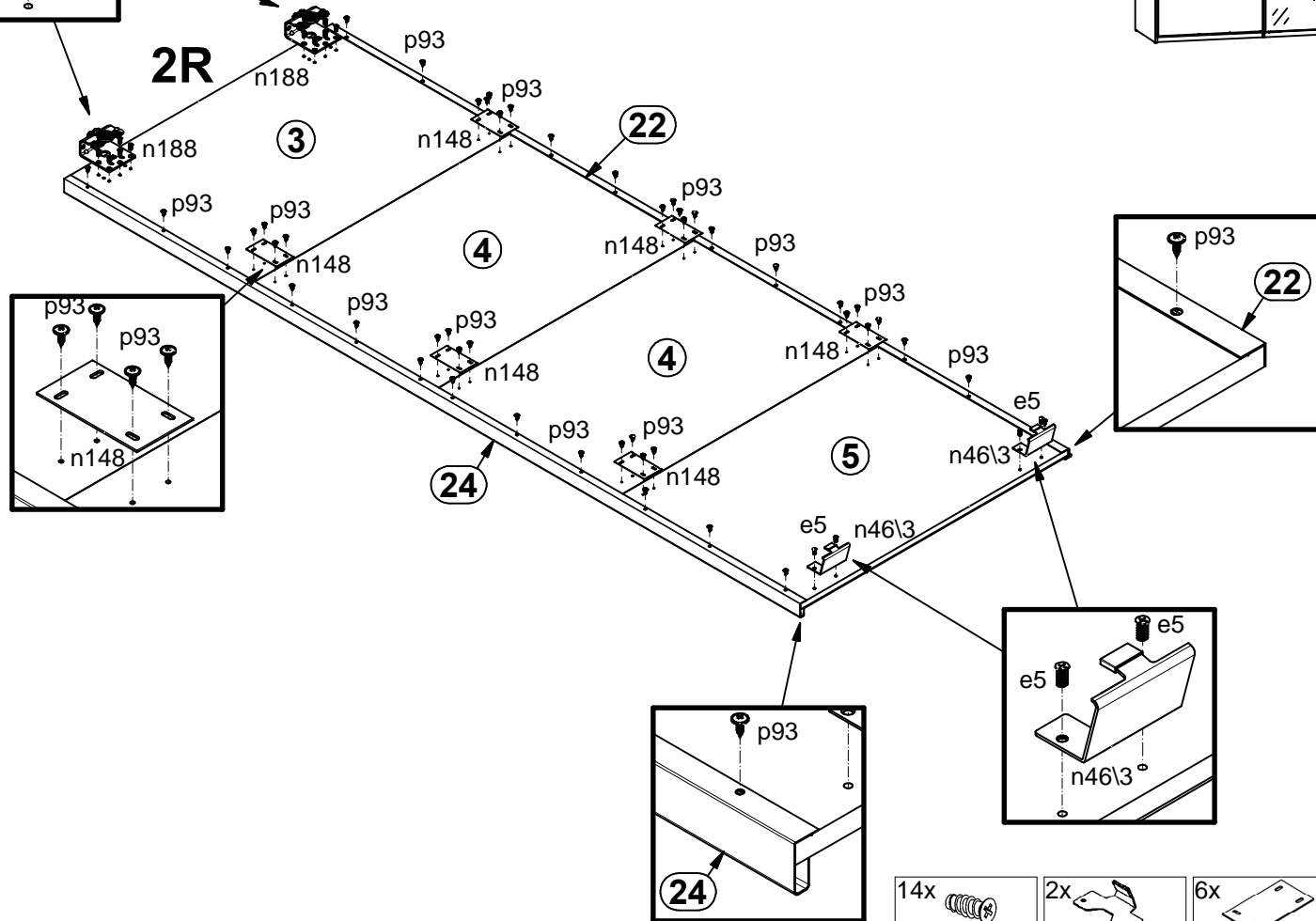
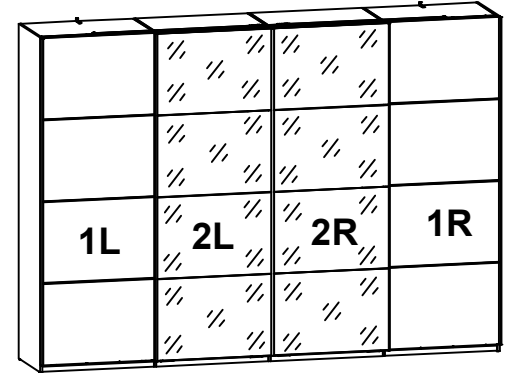
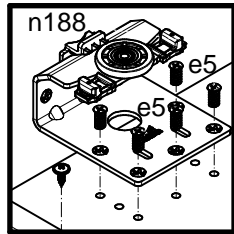
- 14x e5  
Ø6,3x13 mm
- 2x n45
- 1x n139
- 6x n148  
90x50x1,5 mm
- 1x n189
- 48x p93  
Ø4x13 mm

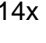

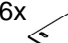


17



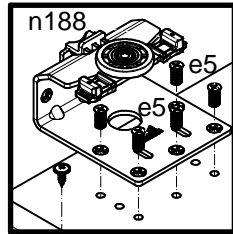
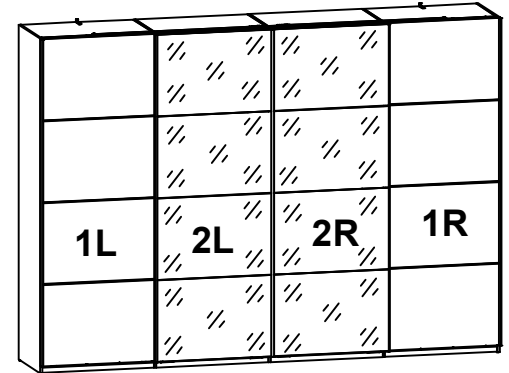
- |                            |            |                        |
|----------------------------|------------|------------------------|
| 14x<br>Ø6.3x13 mm<br>e5    | 2x<br>n45  | 1x<br>n139             |
| 6x<br>90x50x1.5 mm<br>n148 | 1x<br>n189 | 48x<br>Ø4x13 mm<br>p93 |

18 

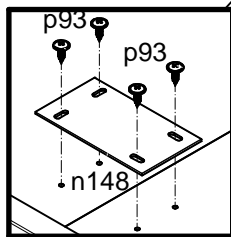


- 14x  Ø6,3x13 mm e5
- 2x  n46\3
- 6x  90x50\1,5 mm n148
- 2x  n188
- 48x  Ø4x13 mm p93

# 19

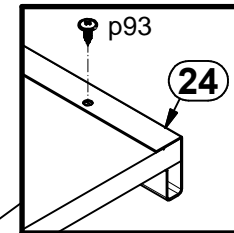


2L



6

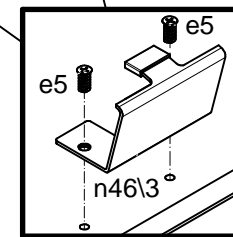
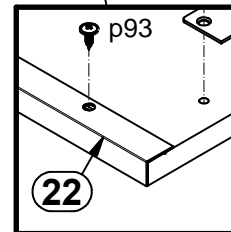
24



22

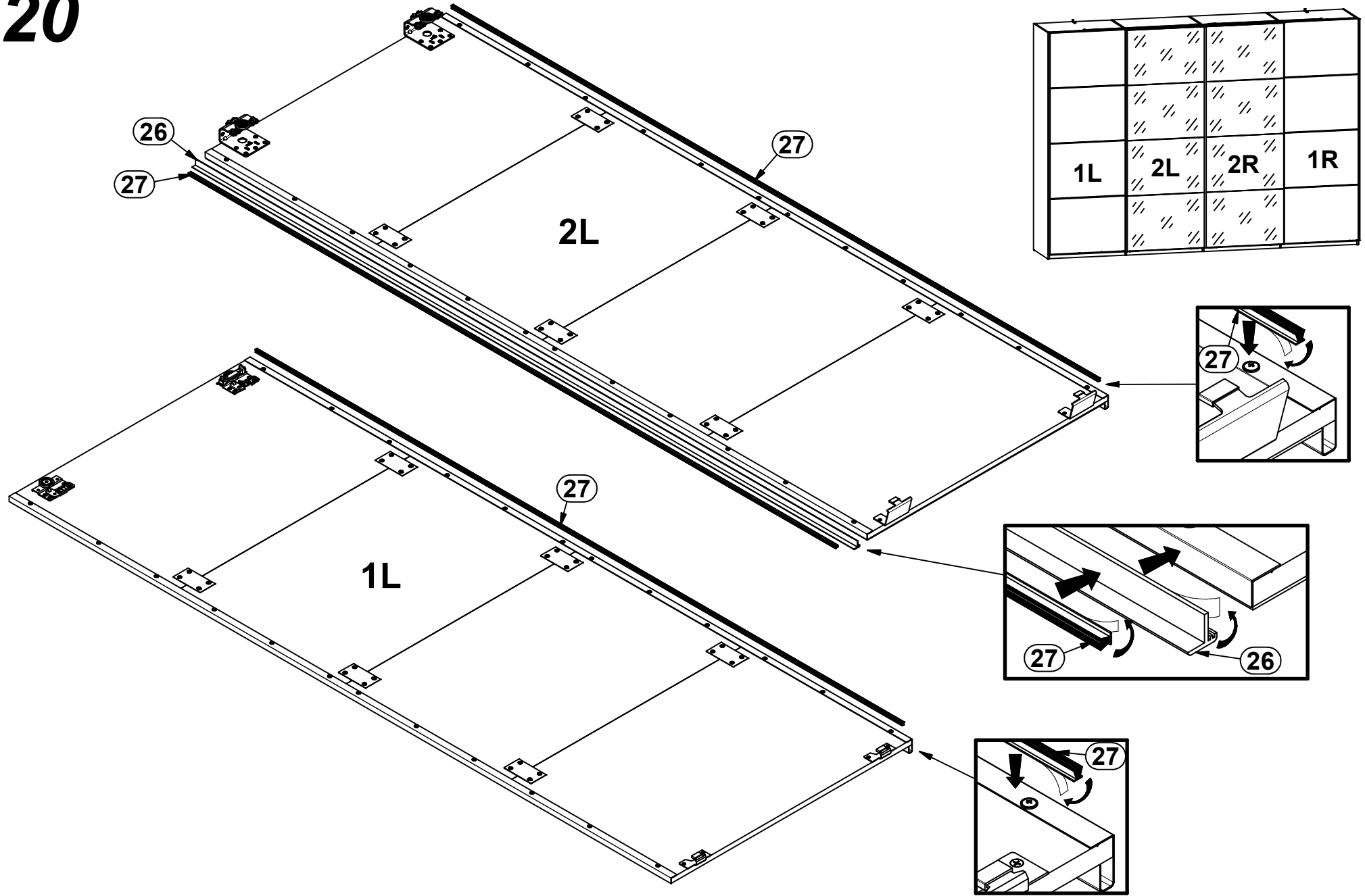
4

7

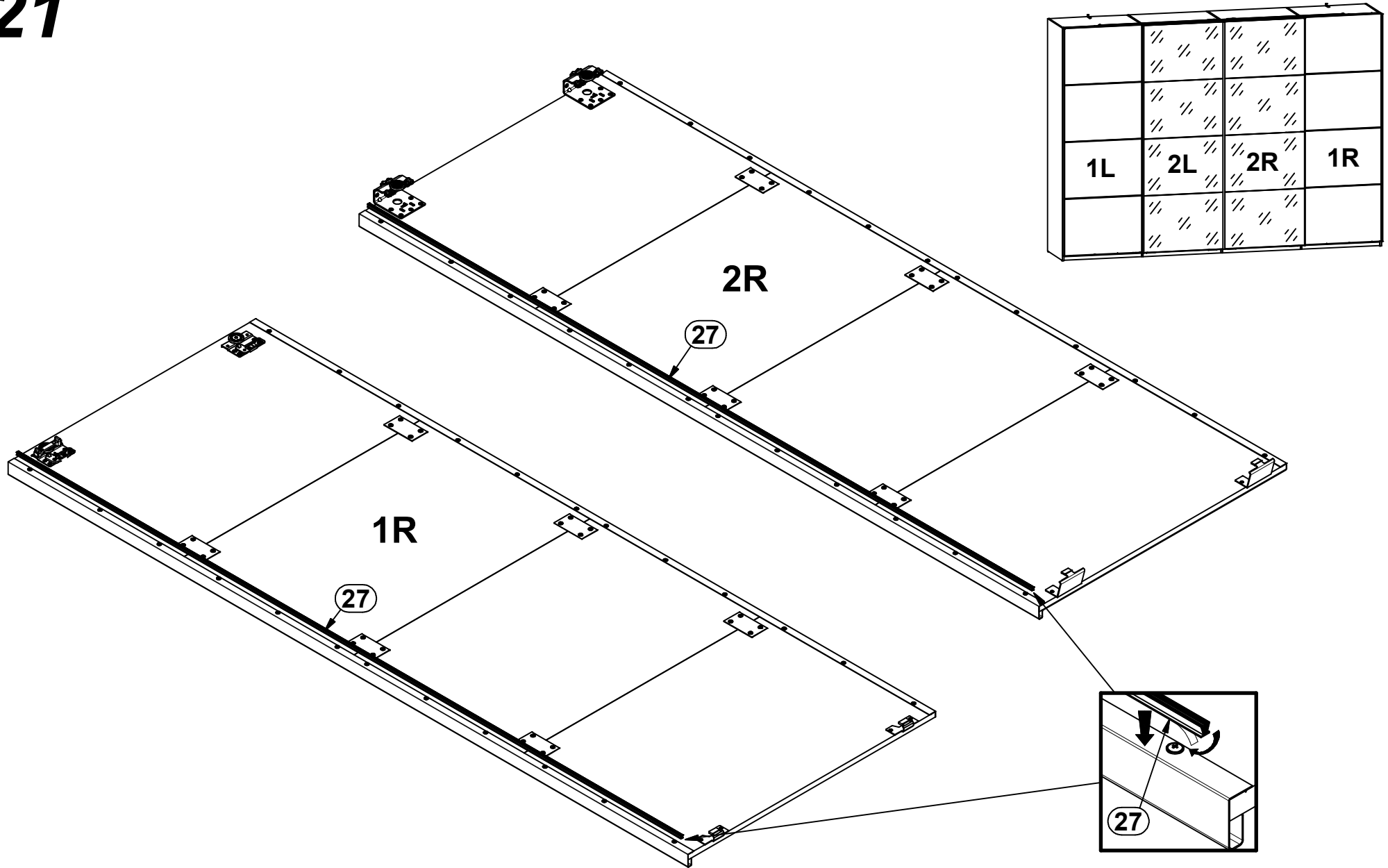


- 14x  $\varnothing 6.3 \times 13 \text{ mm}$  e5
- 2x n46\3
- 6x 90x50\1.5 mm n148
- 2x n188
- 48x  $\varnothing 4 \times 13 \text{ mm}$  p93

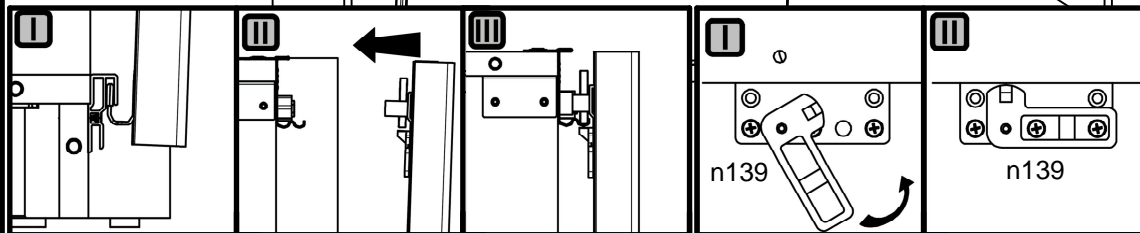
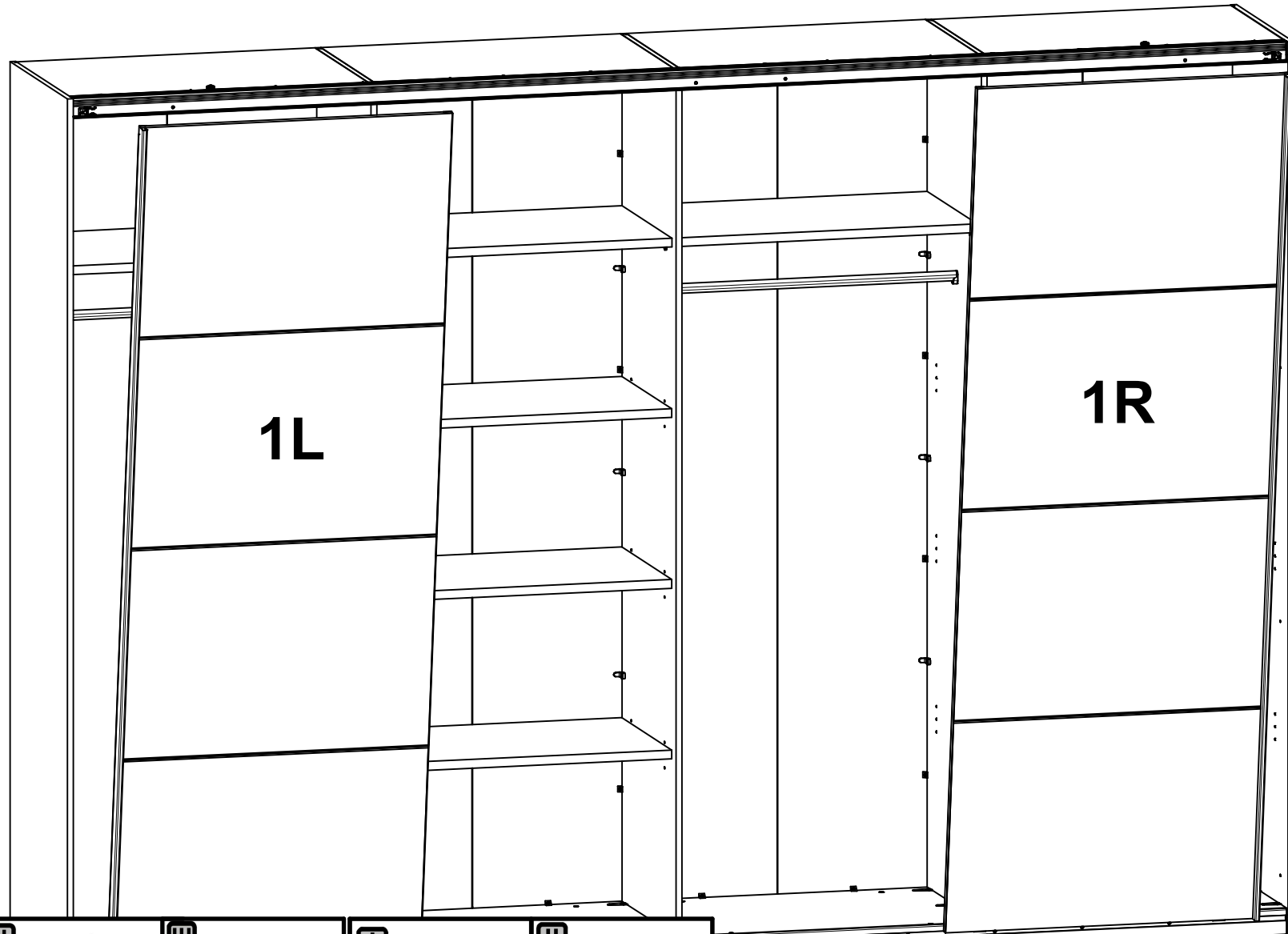
20



21

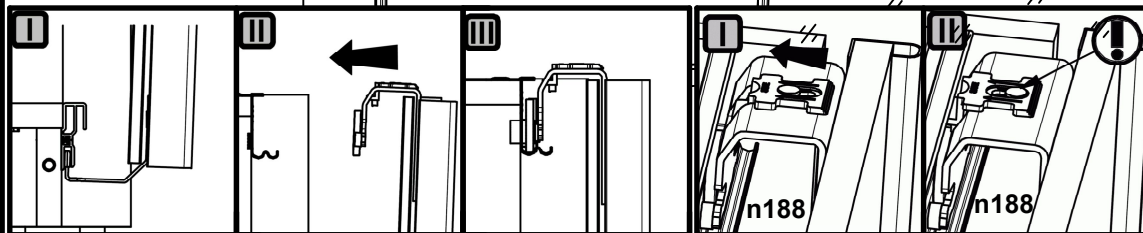
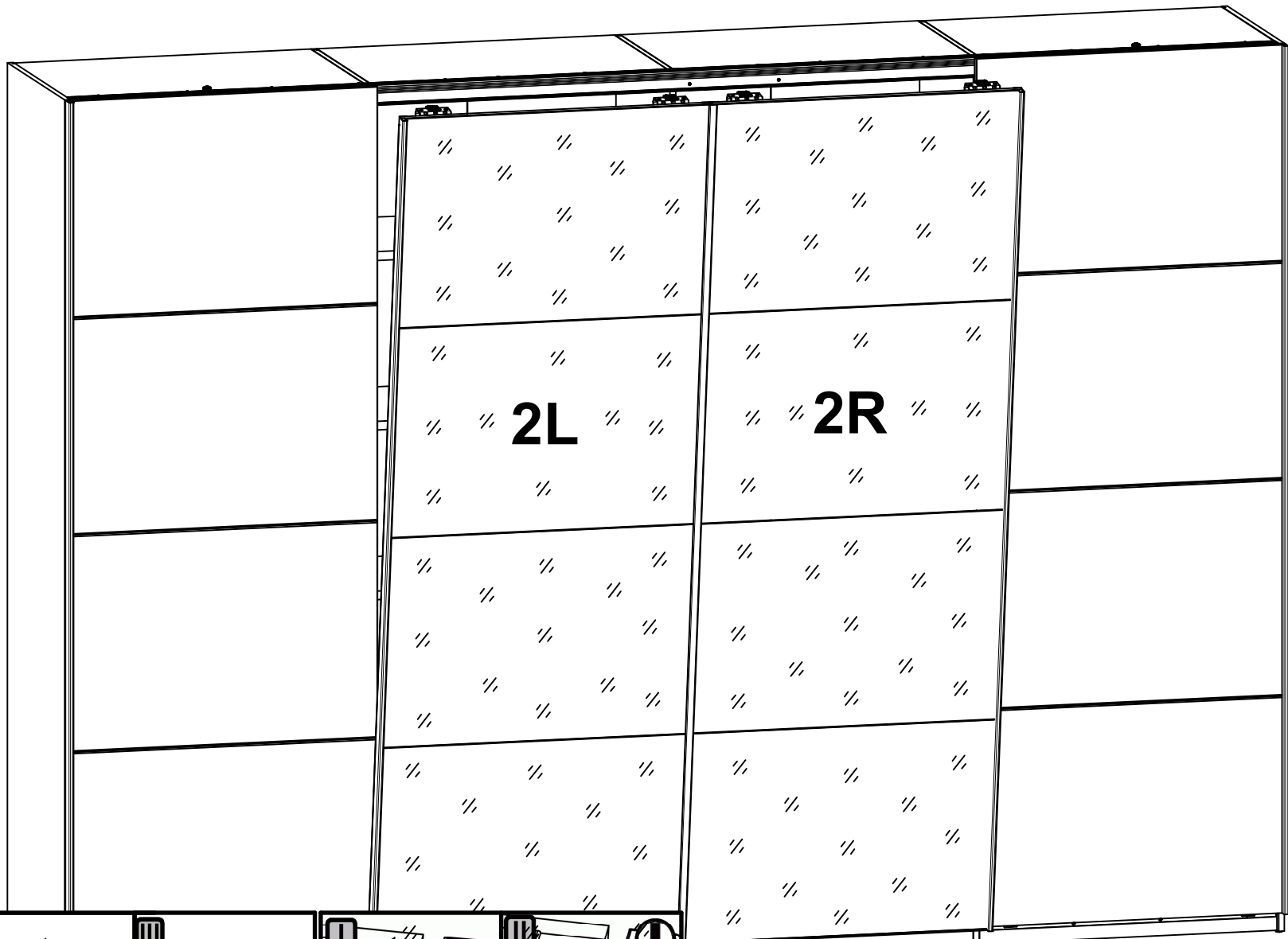


22

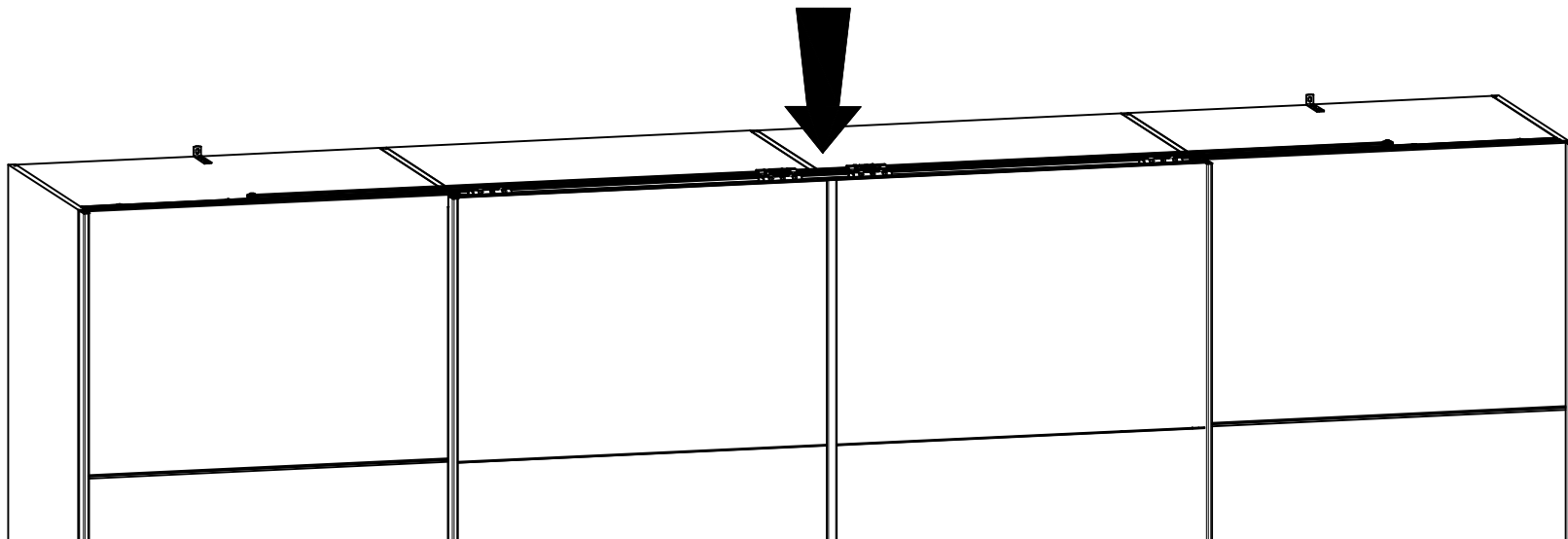
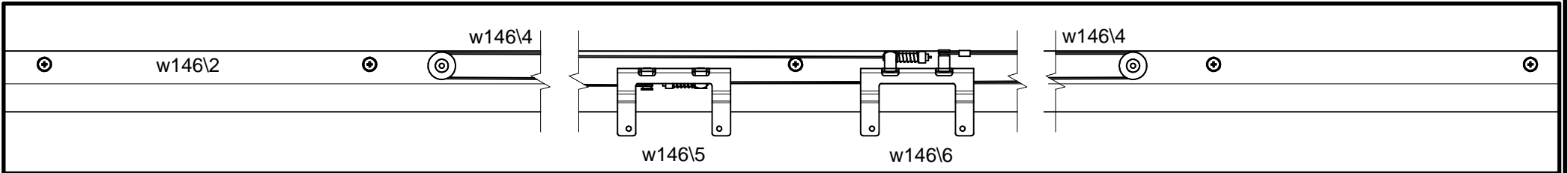
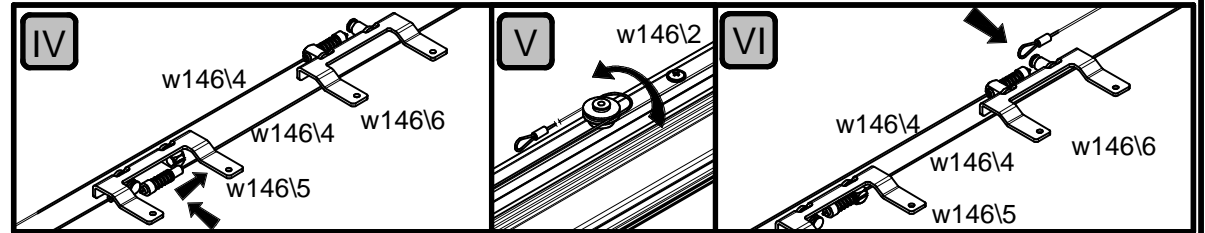
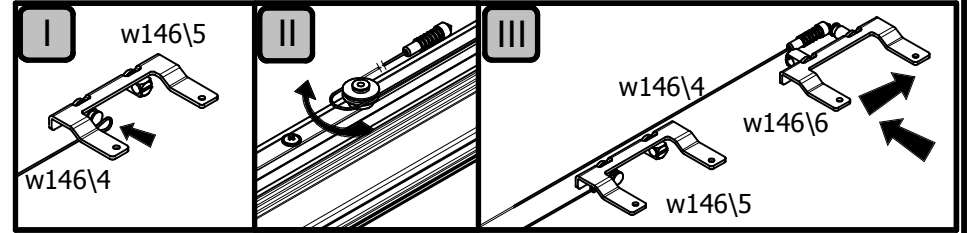




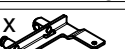


23

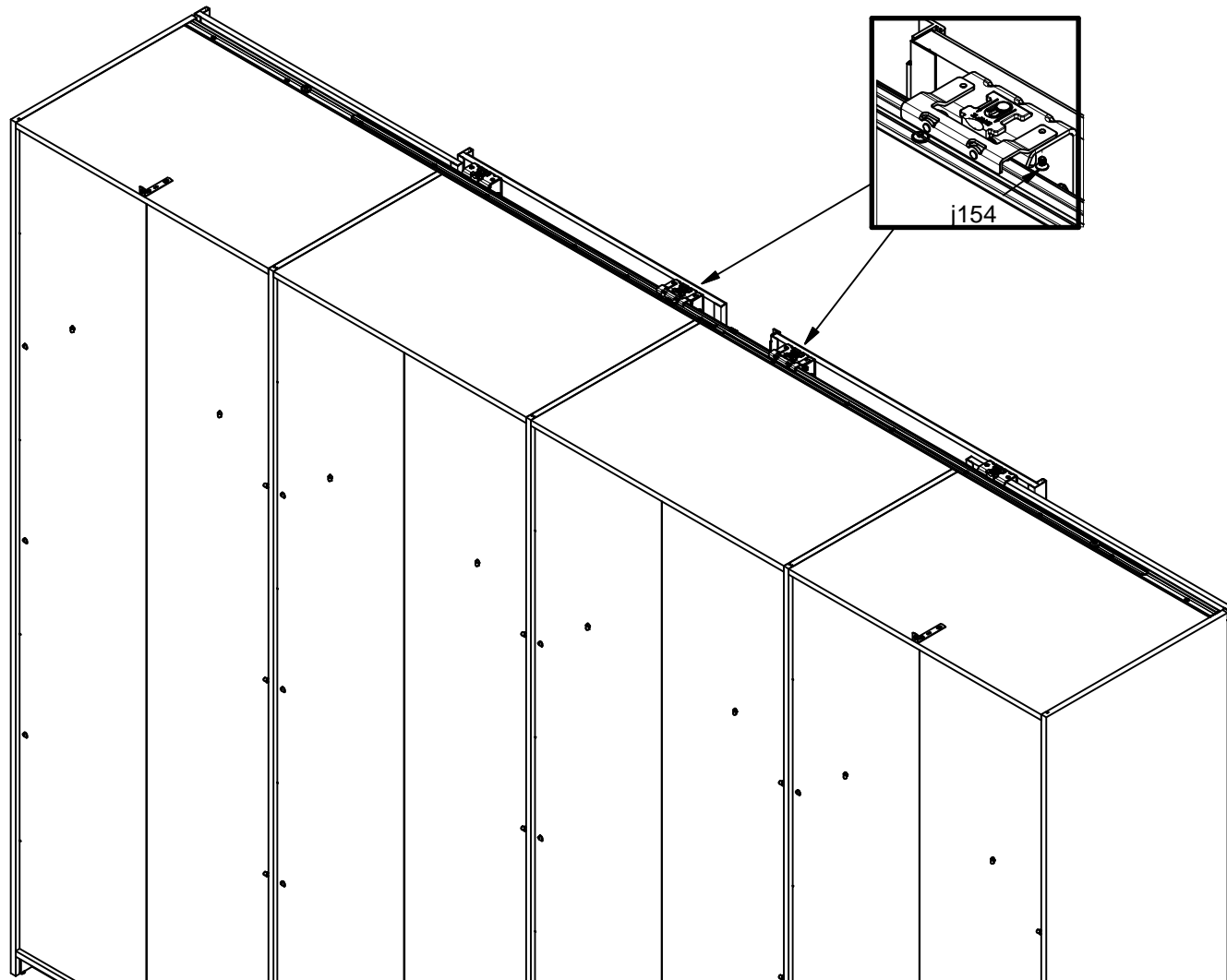


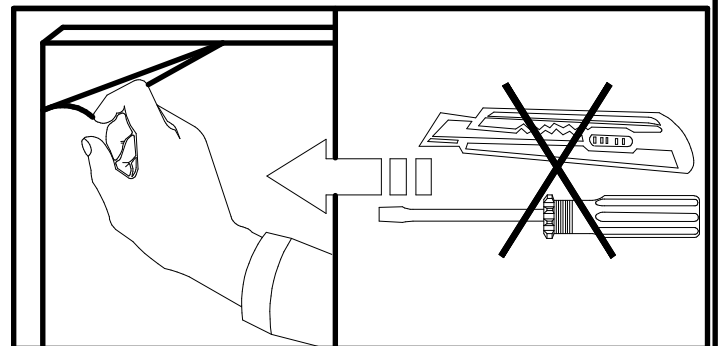
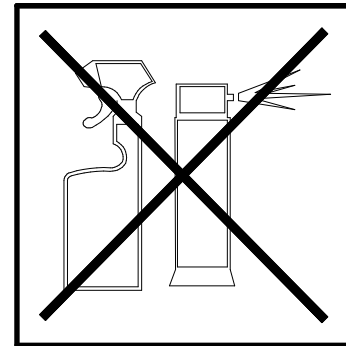
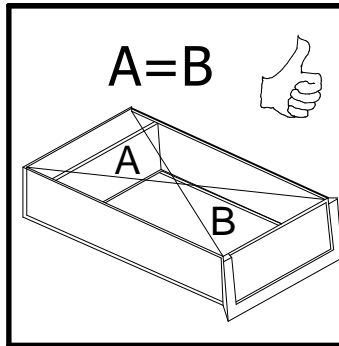
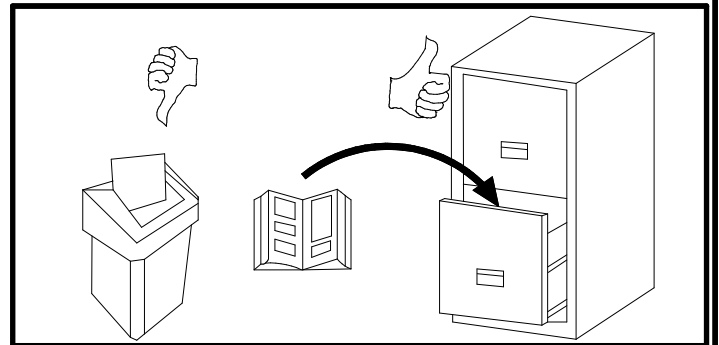
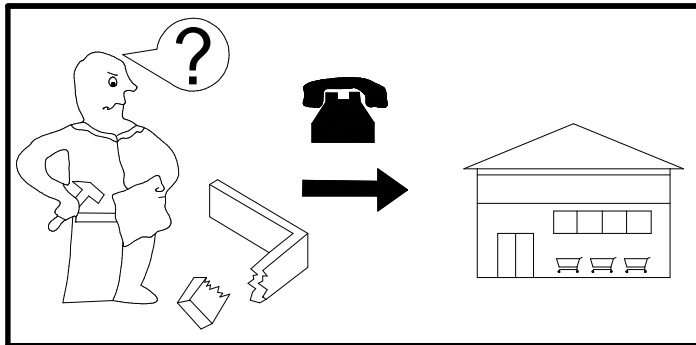
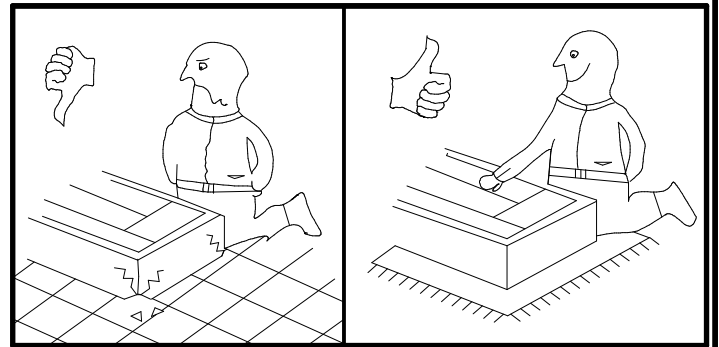
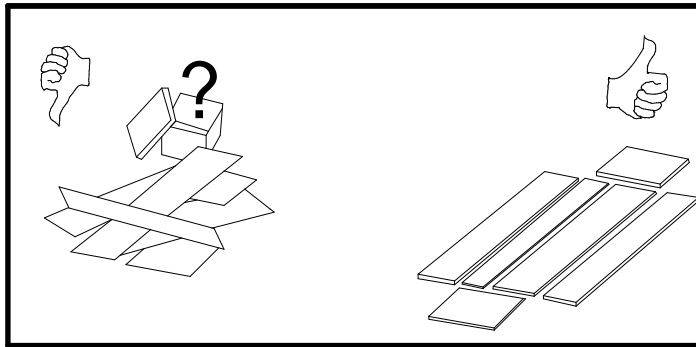
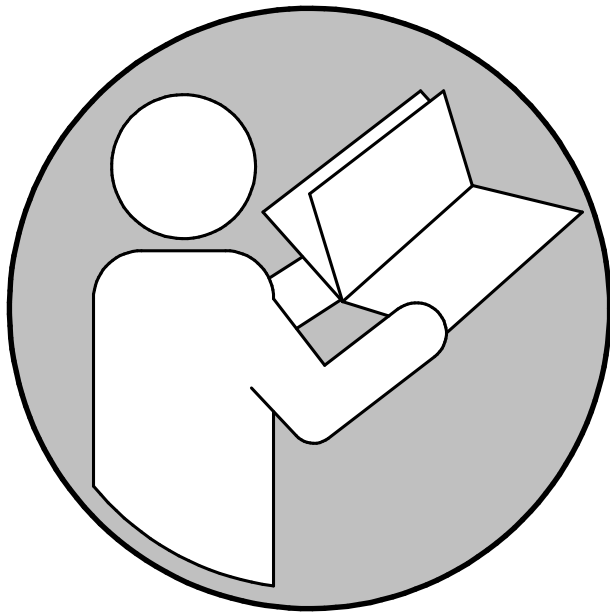
24



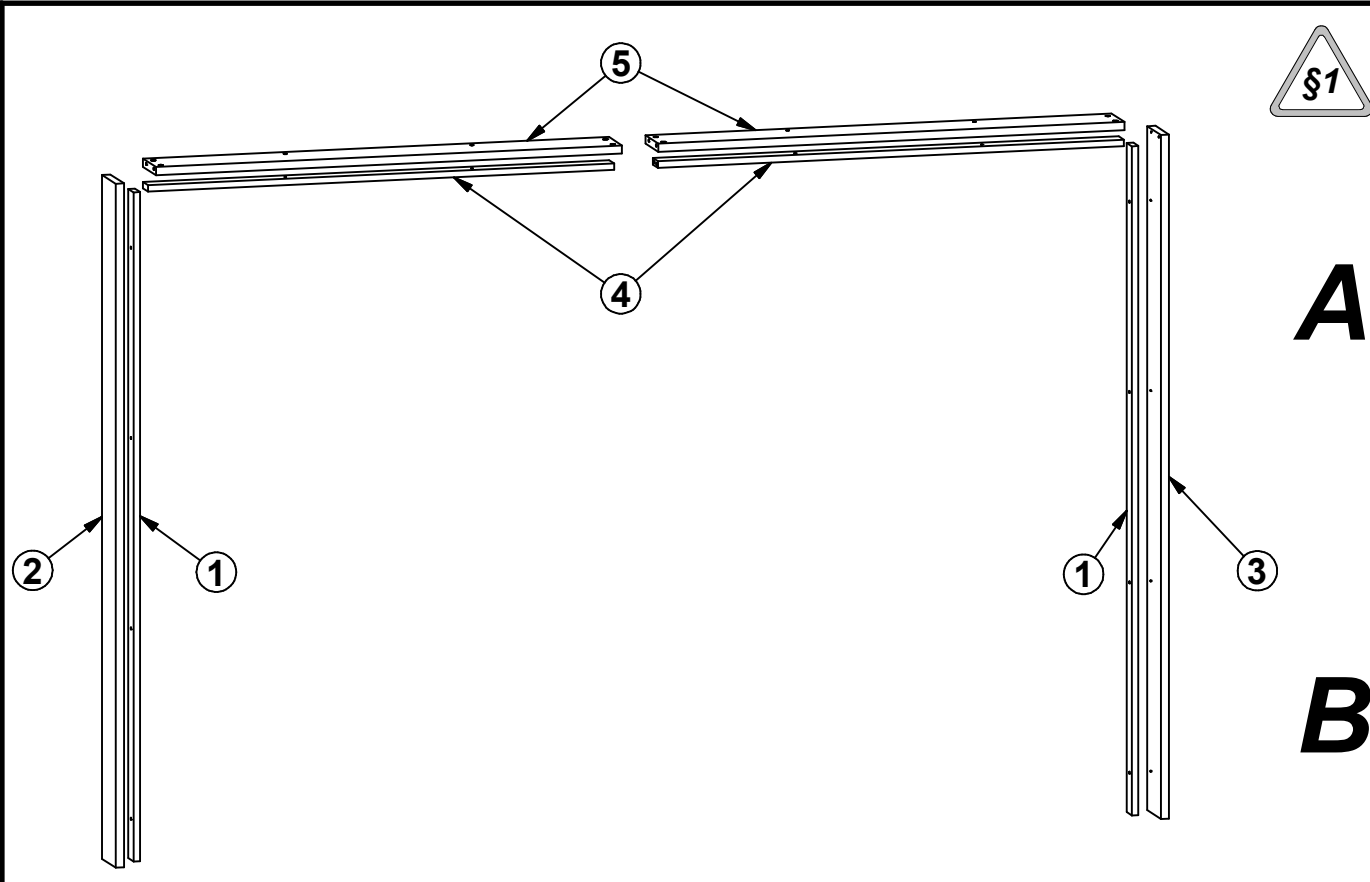
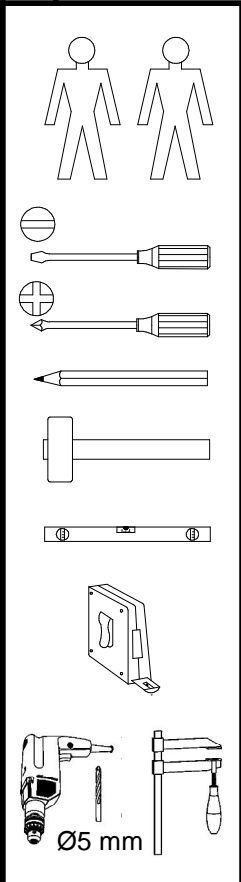
- 2x  w146\4
- 1x  w146\5
- 1x  w146\6

25



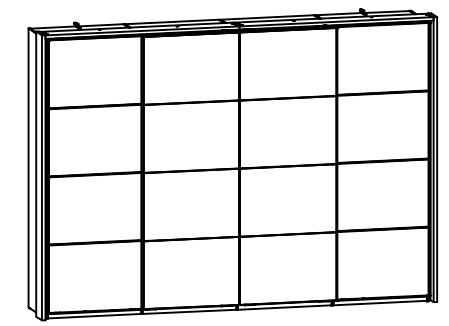


# A F44-PST/315

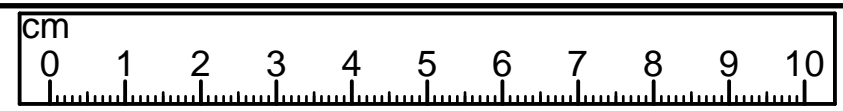
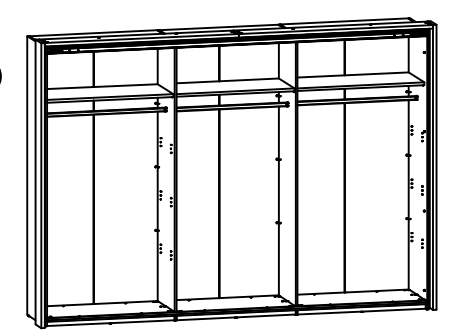


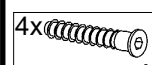
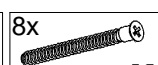
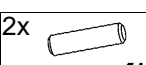
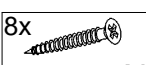



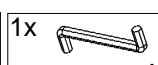
A	B	C (mm)		D
1	F44-5001	2250	66	1\1
2	F44-5002	2300	175	1\1
3	F44-5003	2300	175	1\1
4	F44-5006	1598	66	1\1
5	F44-5007	1598	166	1\1

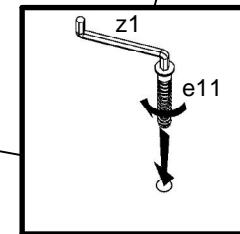
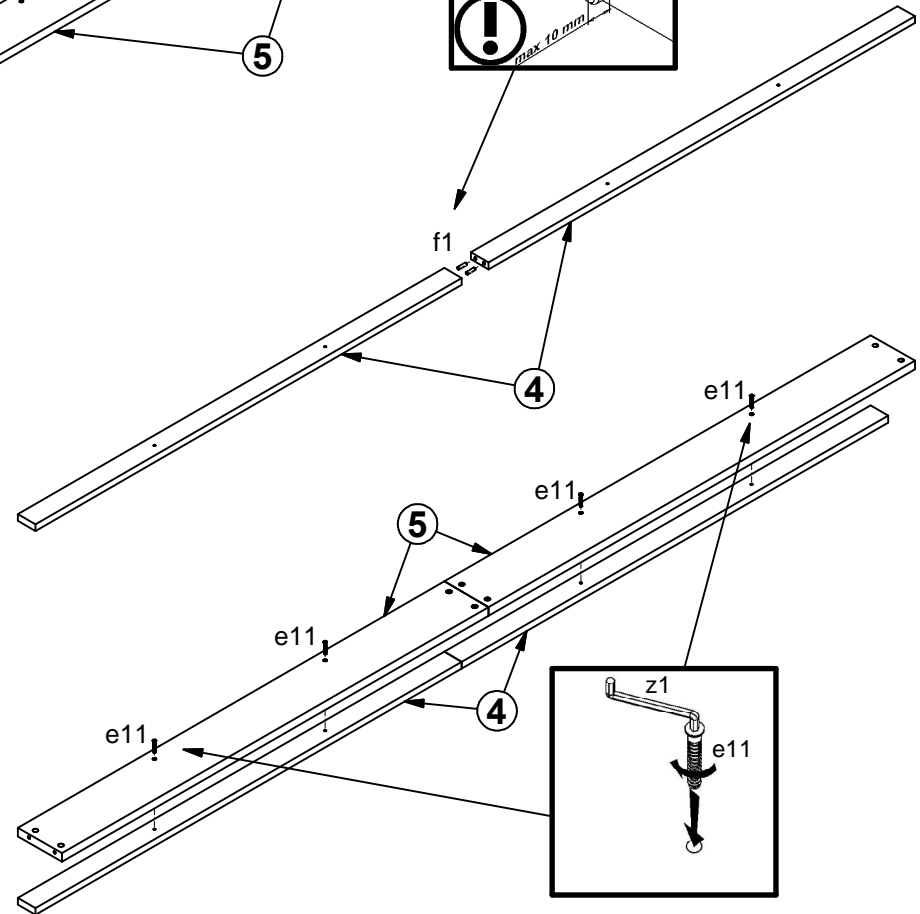
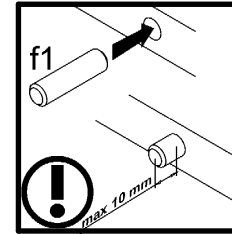
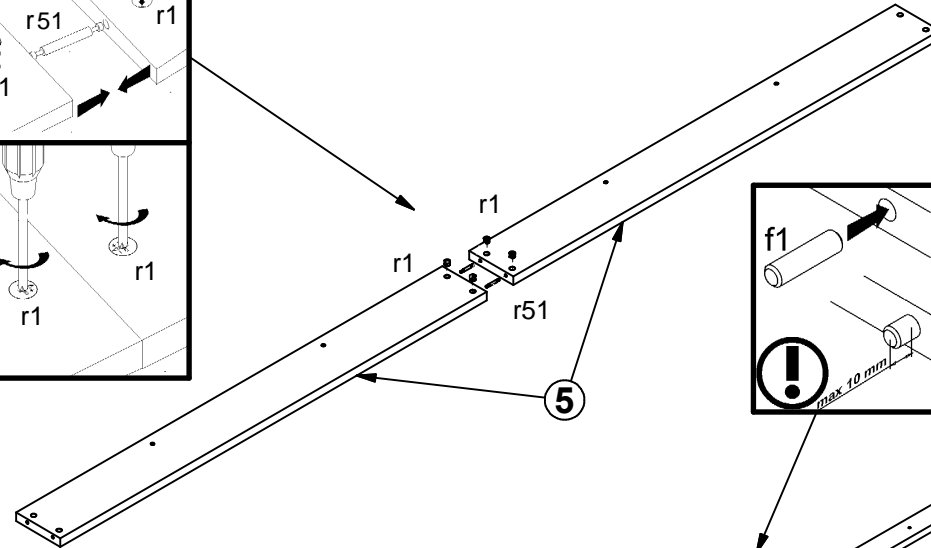
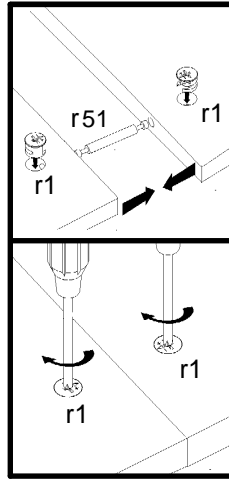
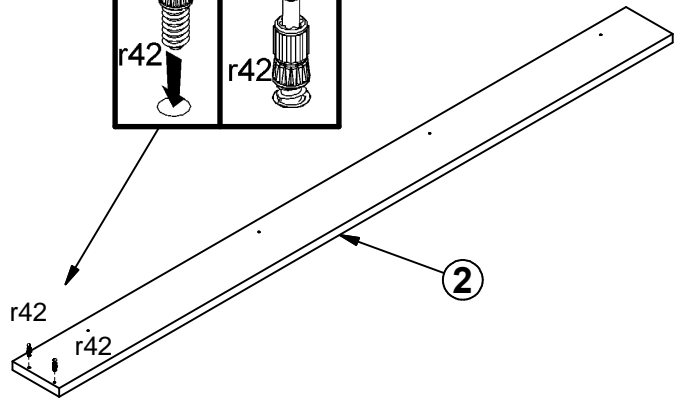
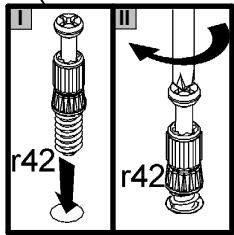
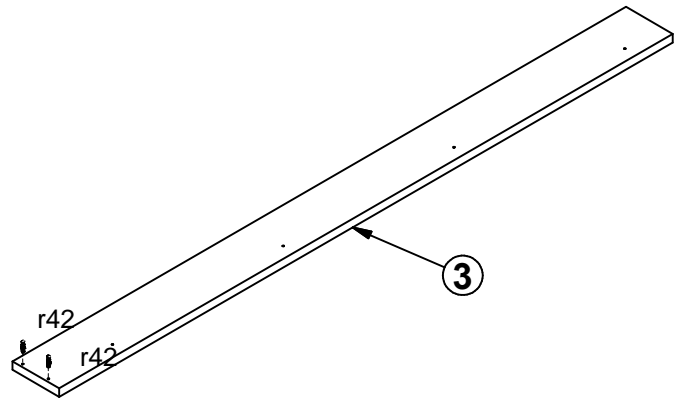
**A**



**B**

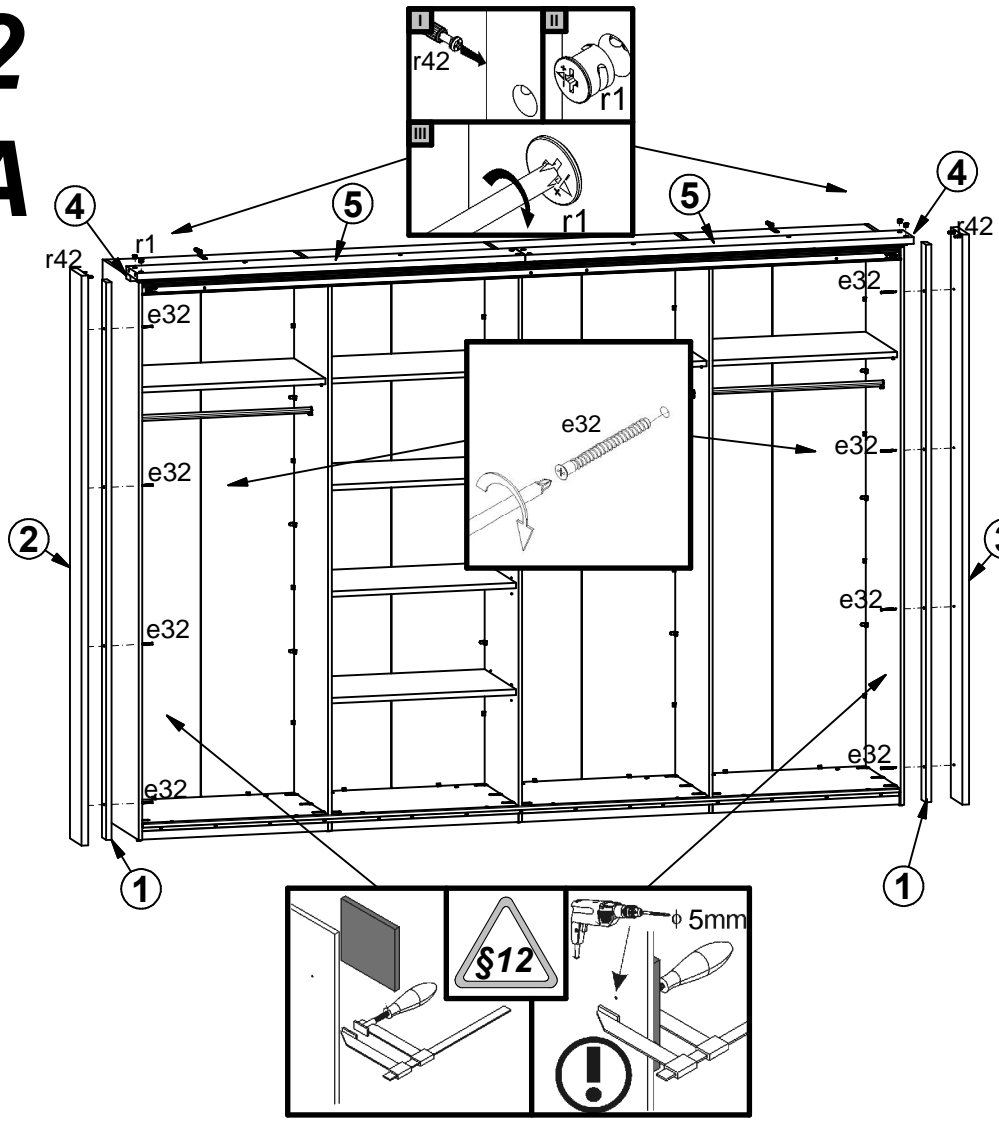


- 4x  **e11**  
Ø7x40 mm
- 8x  **e32**  
Ø5x50 mm
- 2x  **f1**  
Ø8x30 mm
- 8x  **p21**  
Ø4x30 mm
- 8x  **r1**  
Ø15x12 mm #16
- 4x  **r42**  
20/11
- 2x  **r51**  
40 mm
- 1x  **z1**

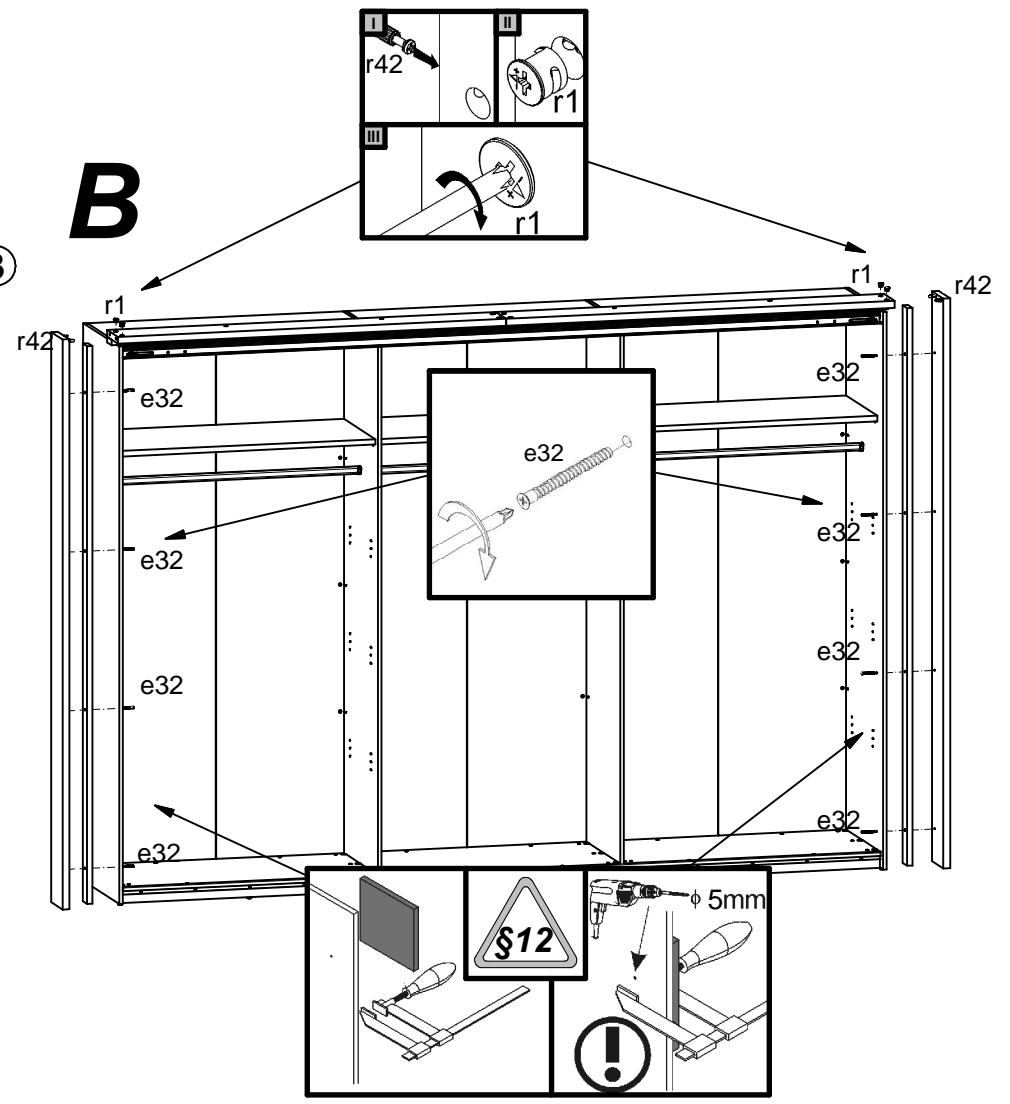


- |                     |                    |                         |                  |                  |
|---------------------|--------------------|-------------------------|------------------|------------------|
| 4x  e11<br>Ø7x40 mm | 2x  f1<br>Ø8x30 mm | 4x  r1<br>Ø15x12 mm #16 | 4x  r42<br>20/11 | 2x  r51<br>40 mm |
|---------------------|--------------------|-------------------------|------------------|------------------|

**2**  
**A**



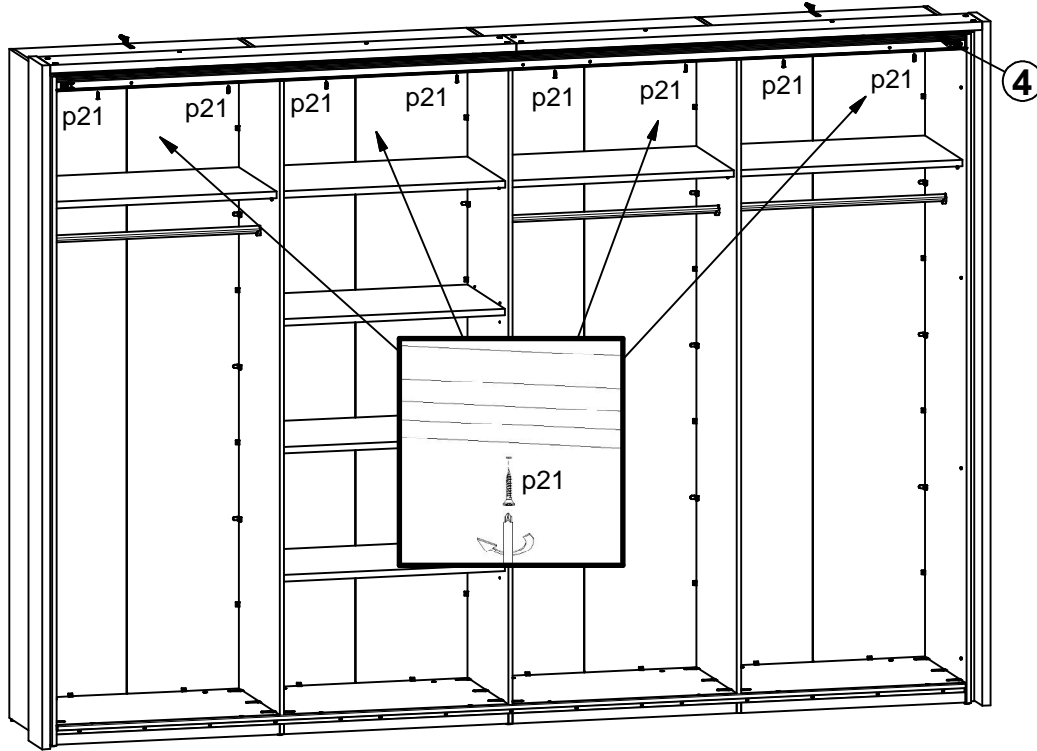
**B**



- 8x  $\varnothing 5 \times 50$  mm e32
- 4x  $\varnothing 15 \times 12$  mm #16 r1

3

A



B

