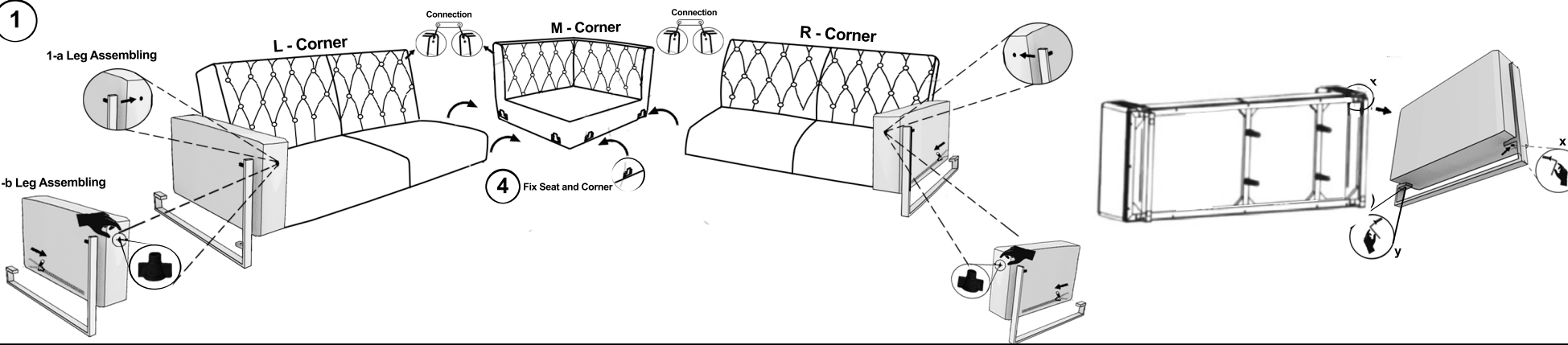
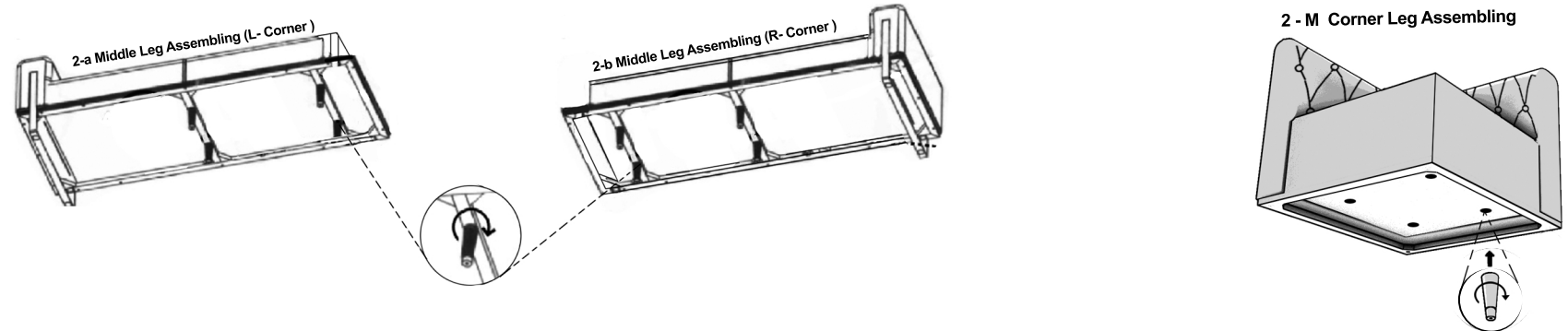


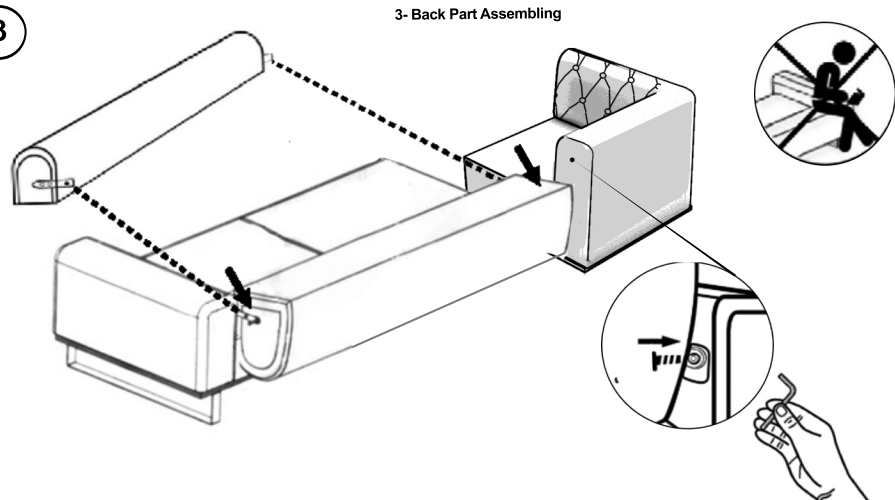
1










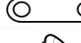

2



3



Material Used

-  x 2
-  x 12
-  x 4
-  x 2
-  x 4
-  x 1- 4 mm
-  x 1- 5 mm
-  x 2
-  x 2