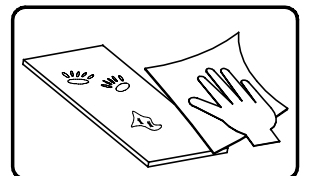
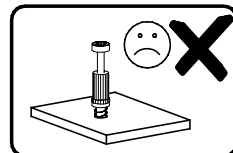
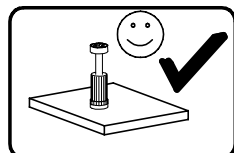
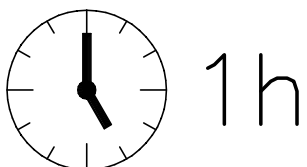
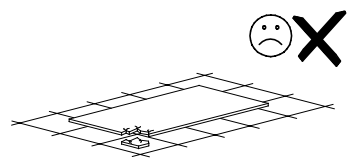
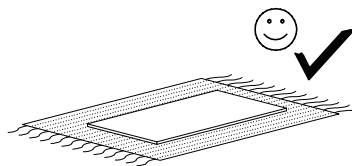
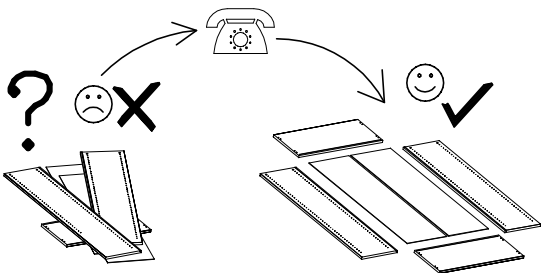
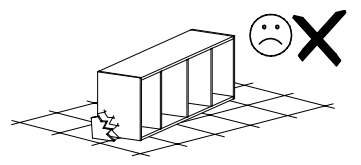
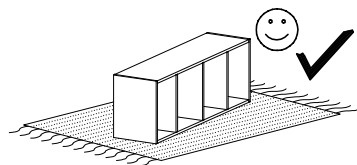
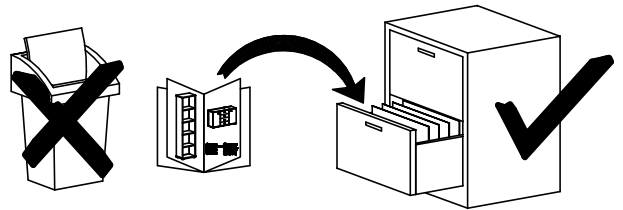
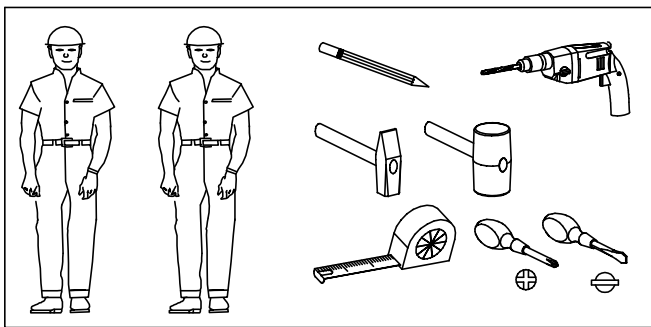
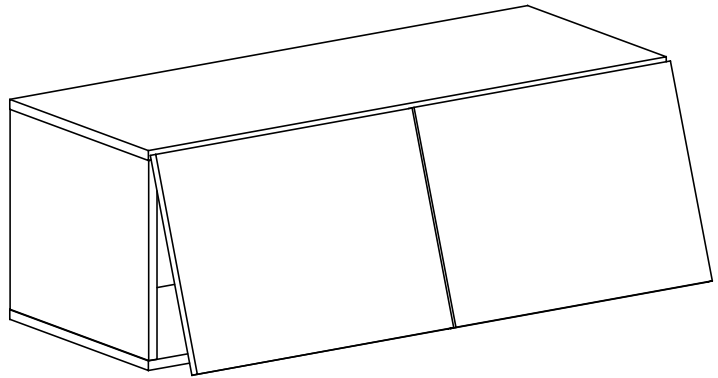
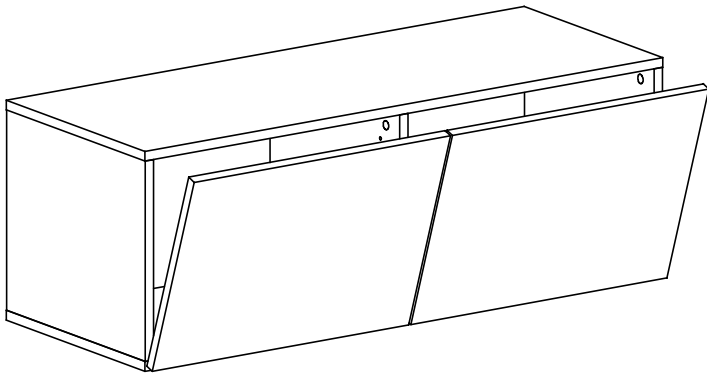
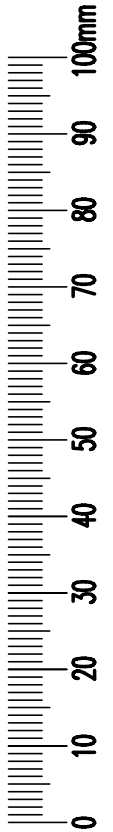
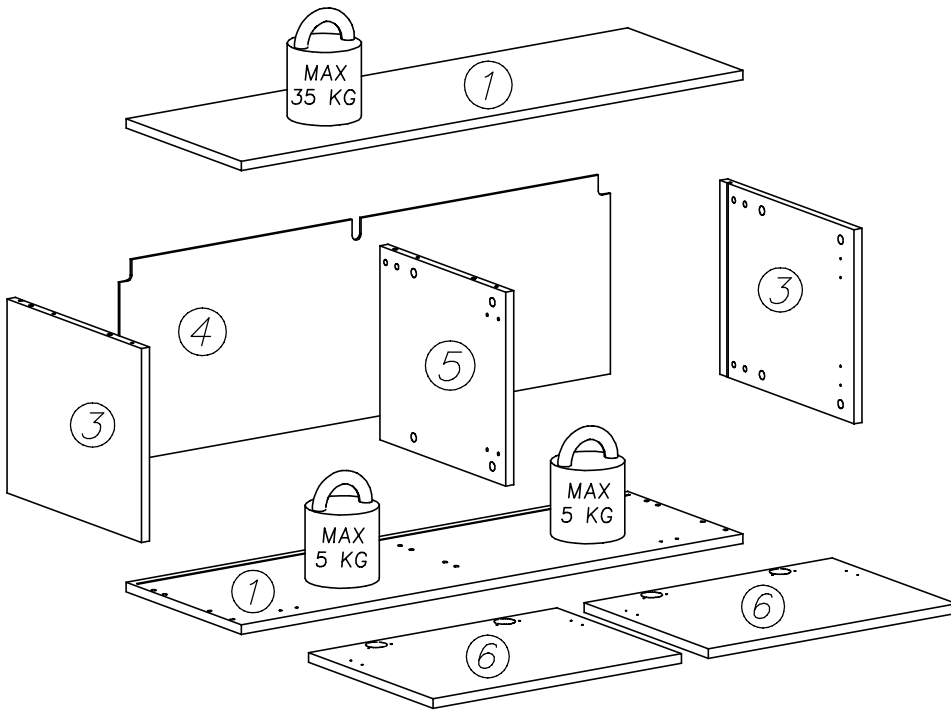
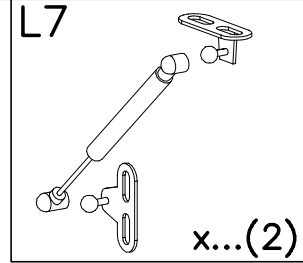
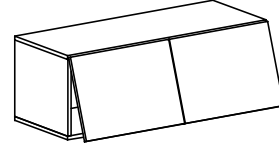
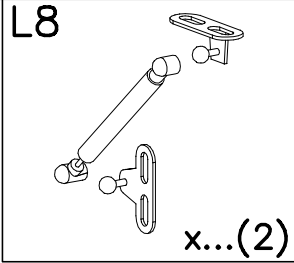
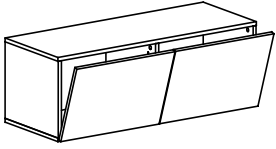
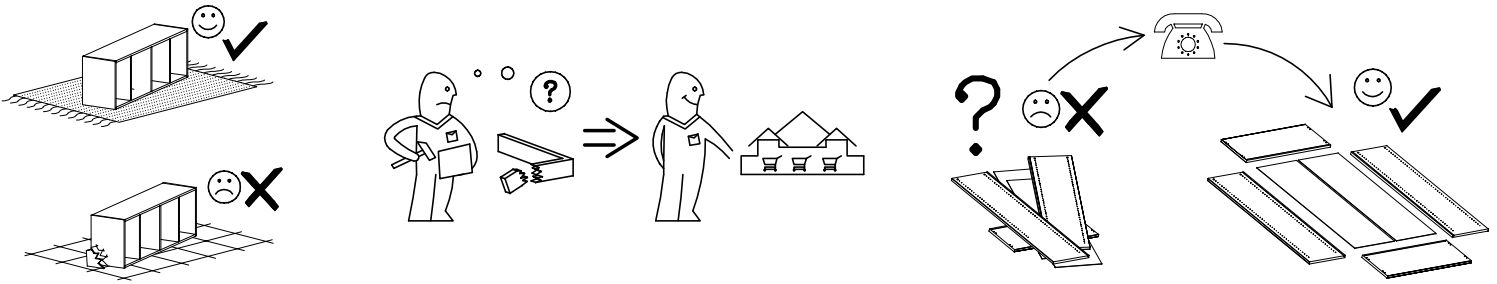
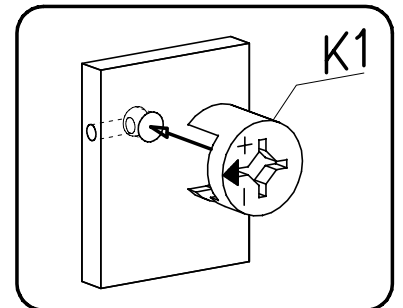
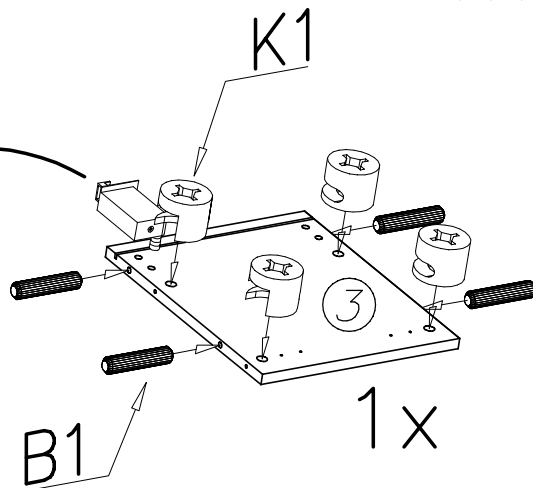
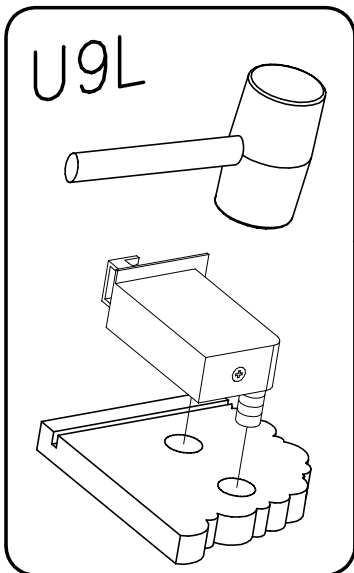
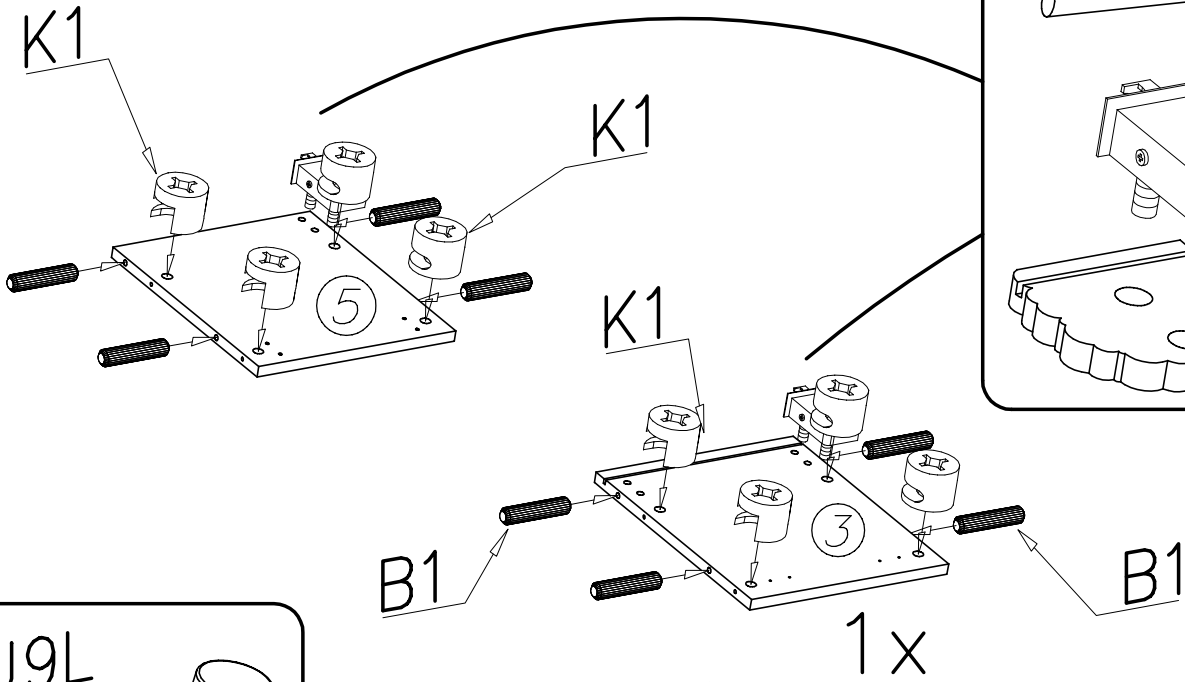
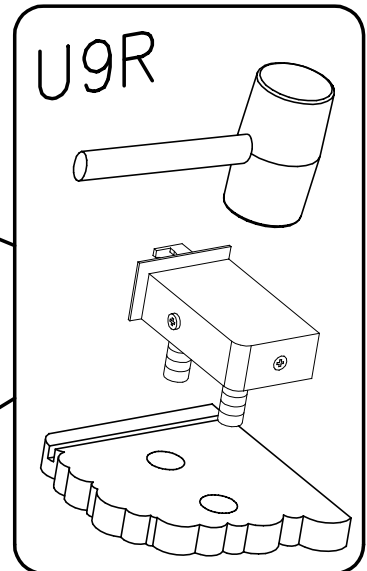
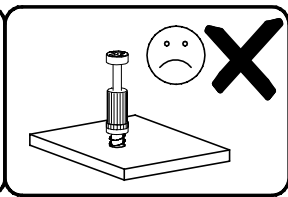
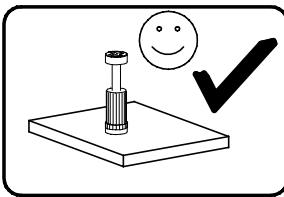
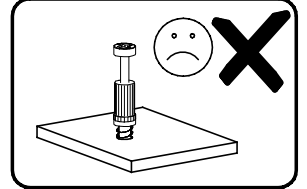
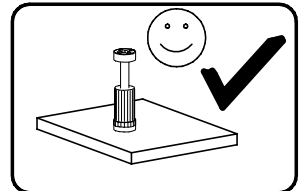
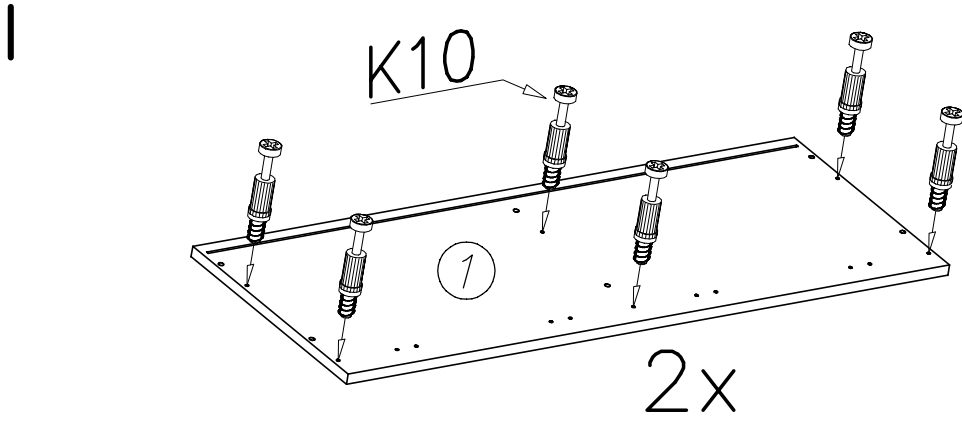
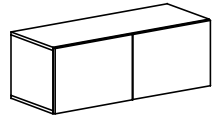


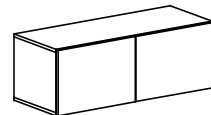
RTV 08 – 1000



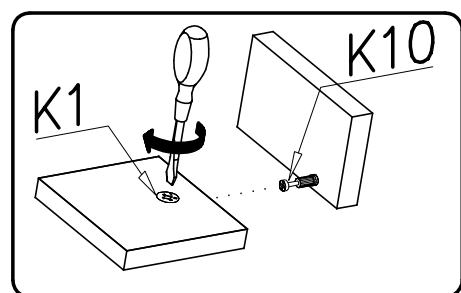
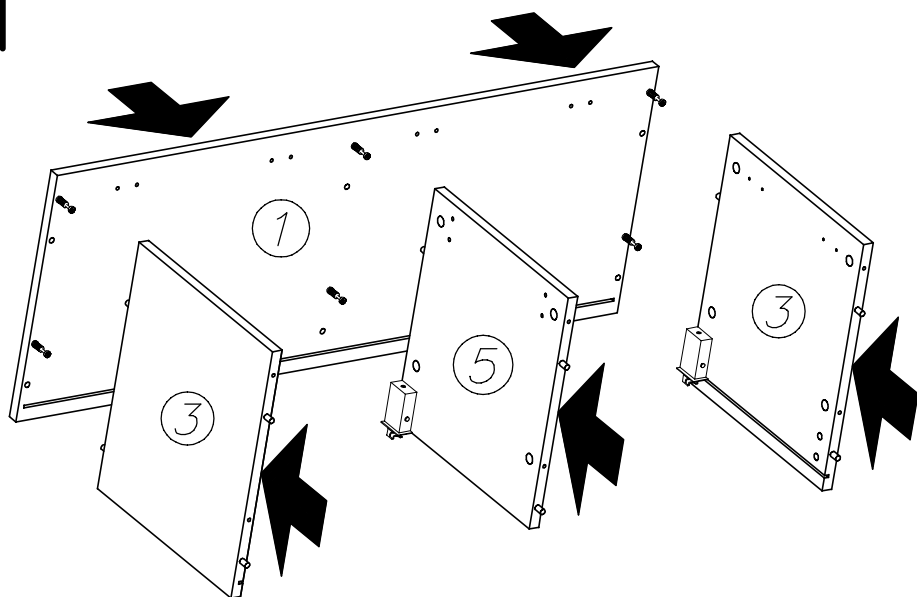


N7 M4x15 x...(2)	G32 3,5x16 x...(16)	I4 ø5 x...(4)	I10 ø10 x...(4)	L13 x...(2)
U9L x...(1)	U9R x...(2)	U10L x...(1)	U10R x...(2)	G57 3,5x16 x...(4)
K1 ø15x12 x...(12)	I7 x...(12)	I1 x...(6)	U7 x...(3)	U8 ø10x60 x...(3)
K10 x...(12)	B1 ø8x35 x...(12)	C3 Z35PR x...(4)	D3 PZ35PR x...(4)	G34 3,5x16 x...(11)

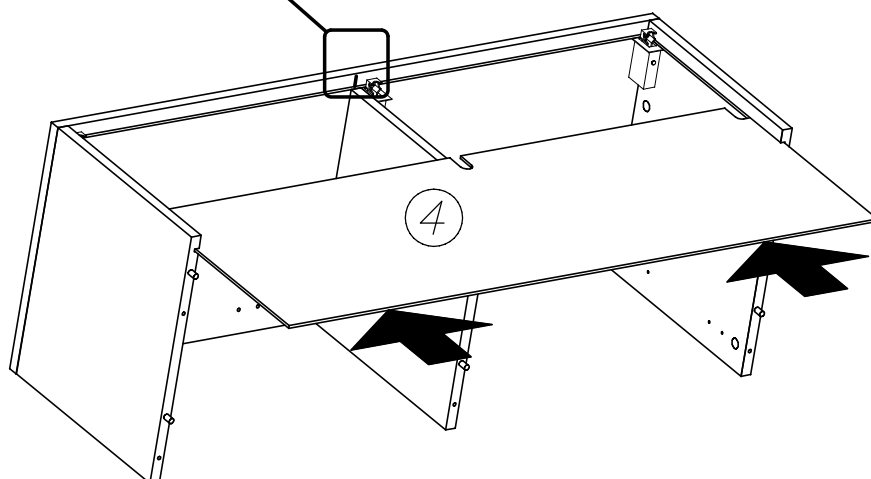
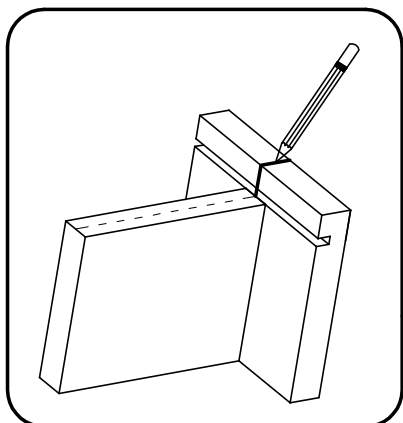


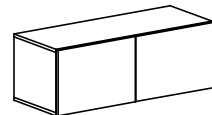


II

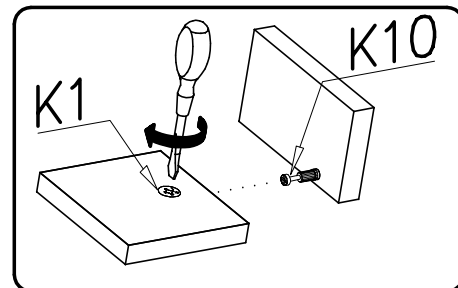
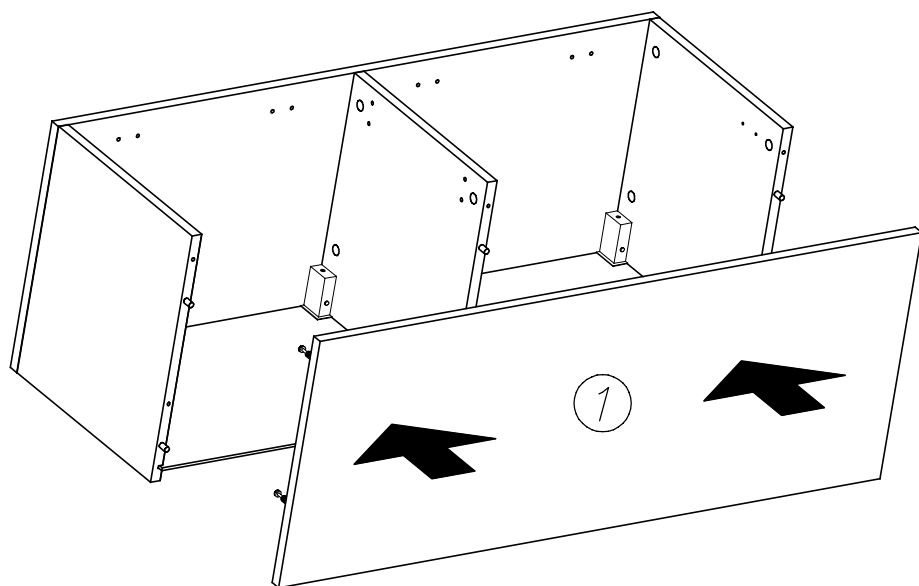


III

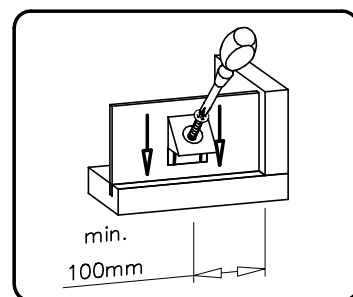
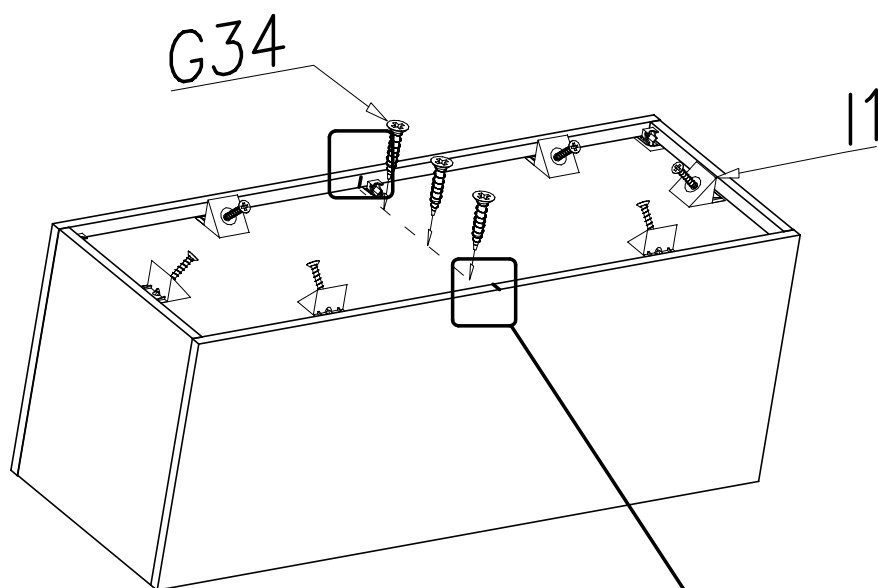




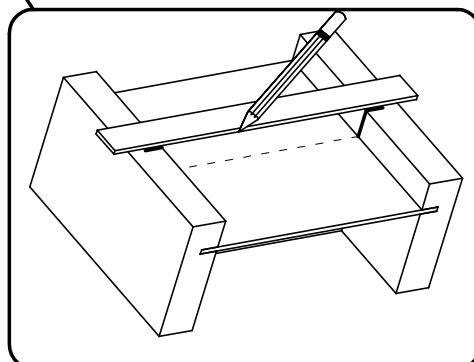
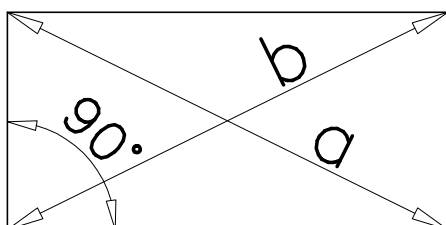
IV

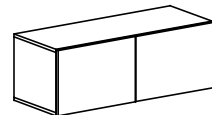


V

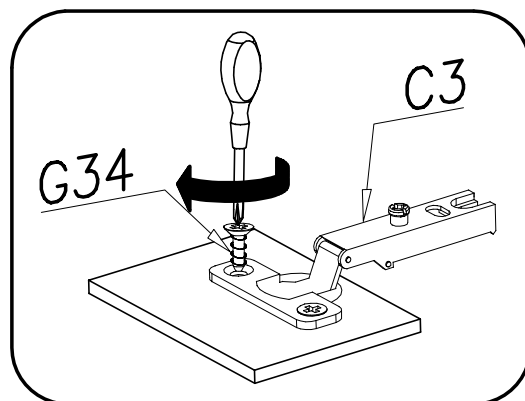
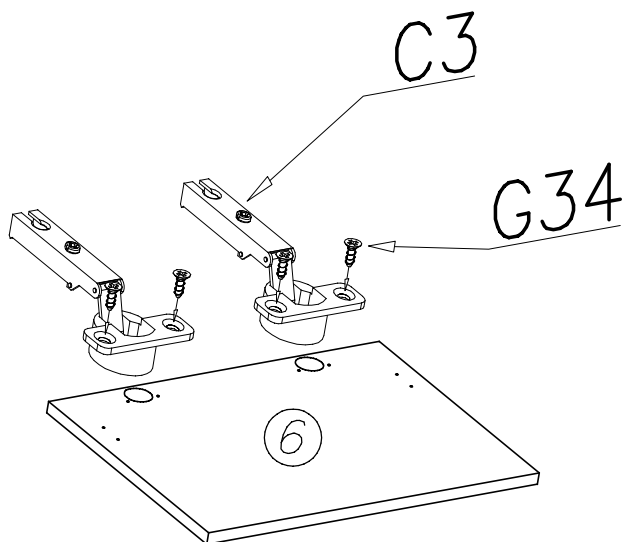


$$a = b$$

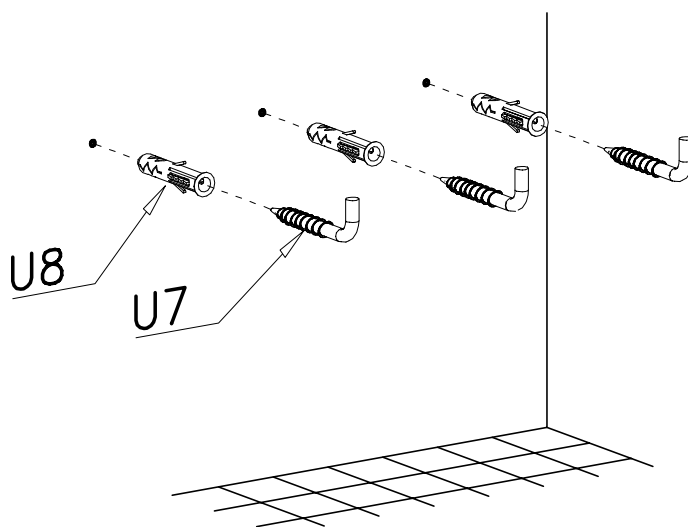
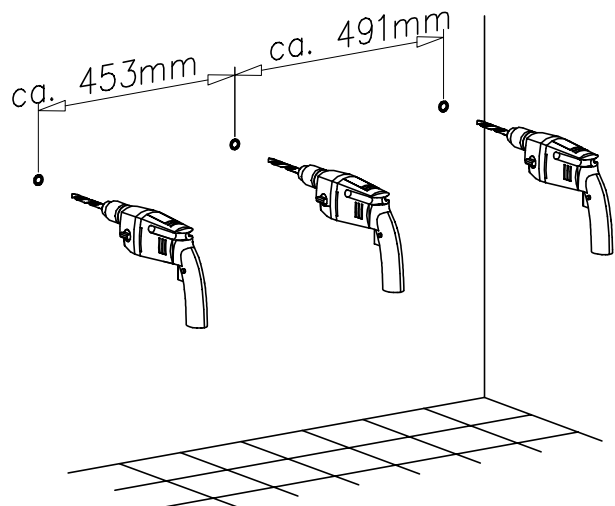
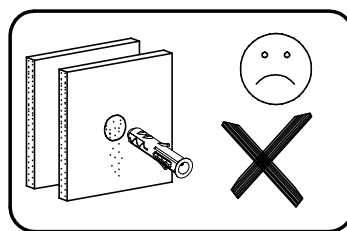
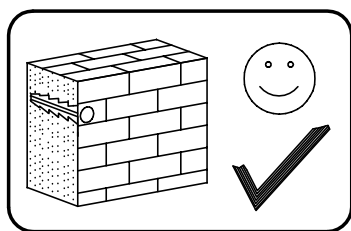


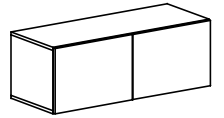


VI

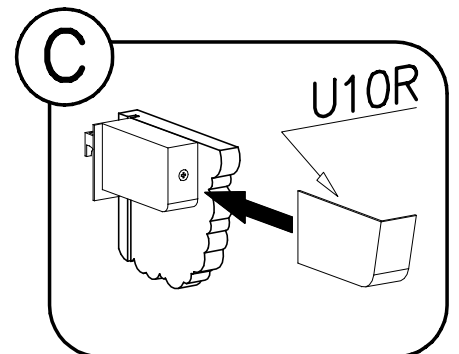
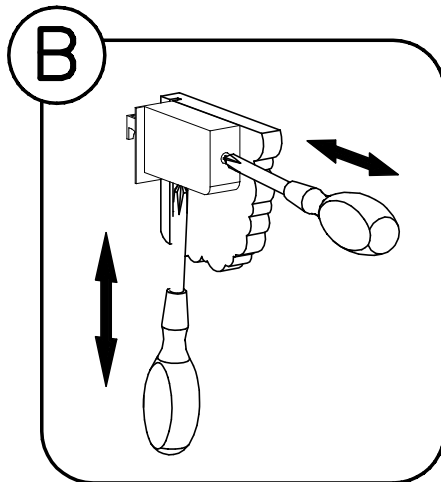
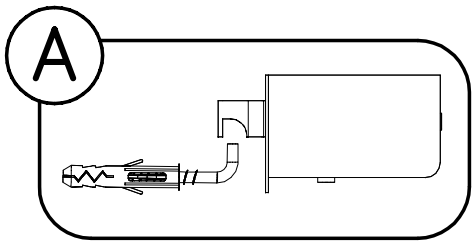
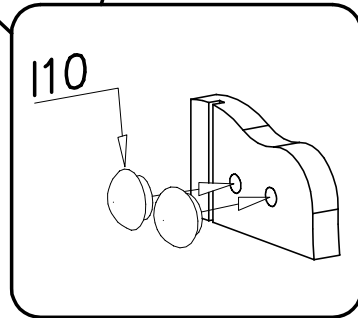
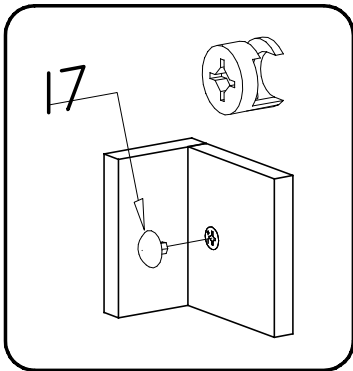
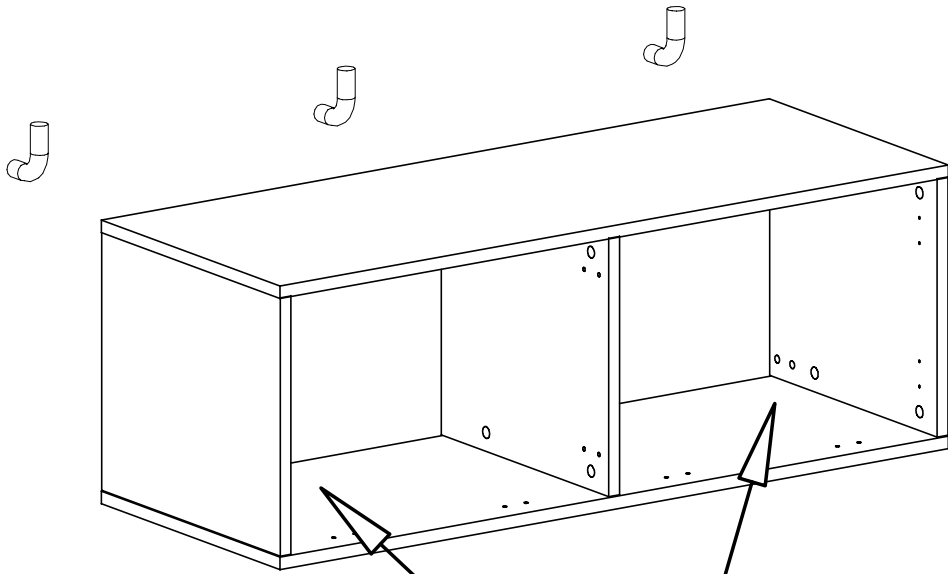


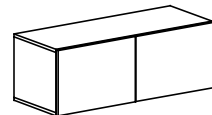
VII



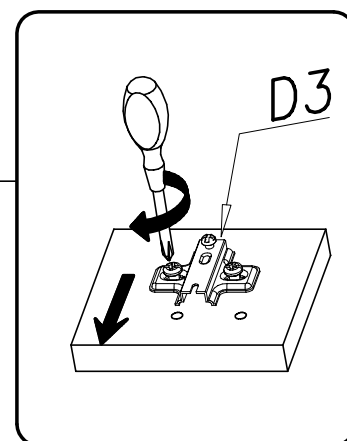
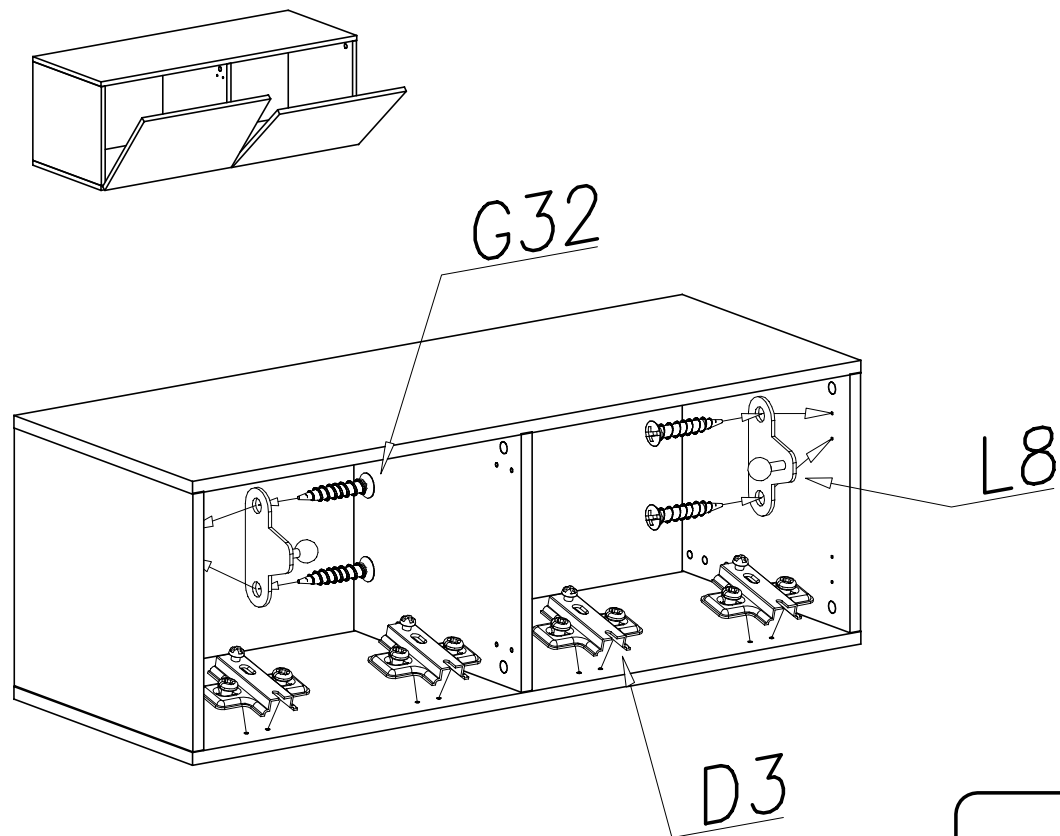


VIII

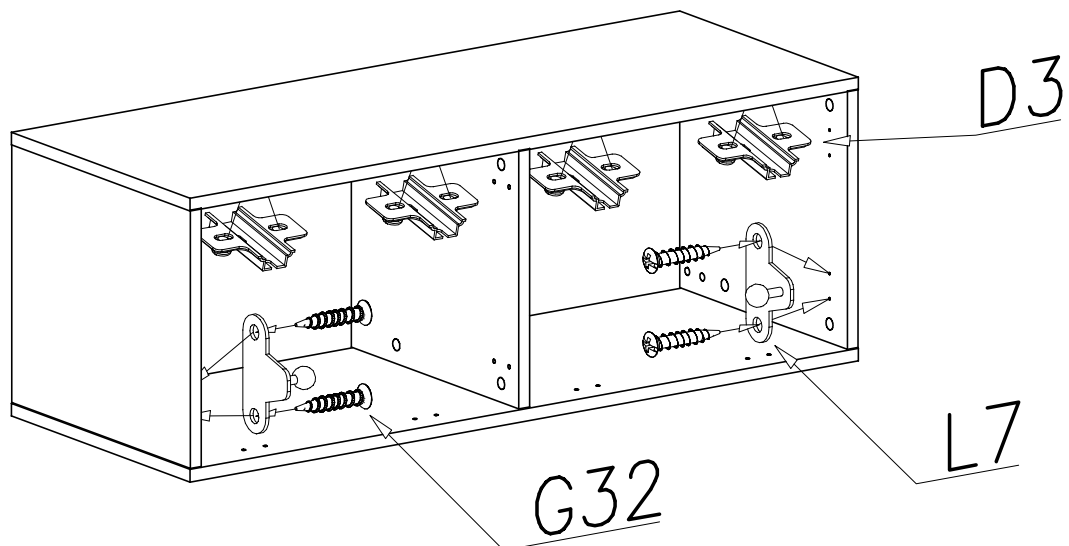
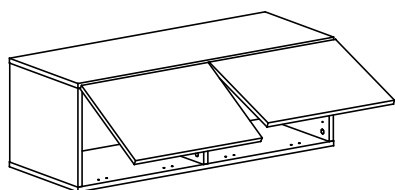


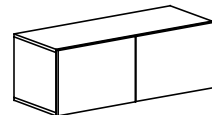


IX

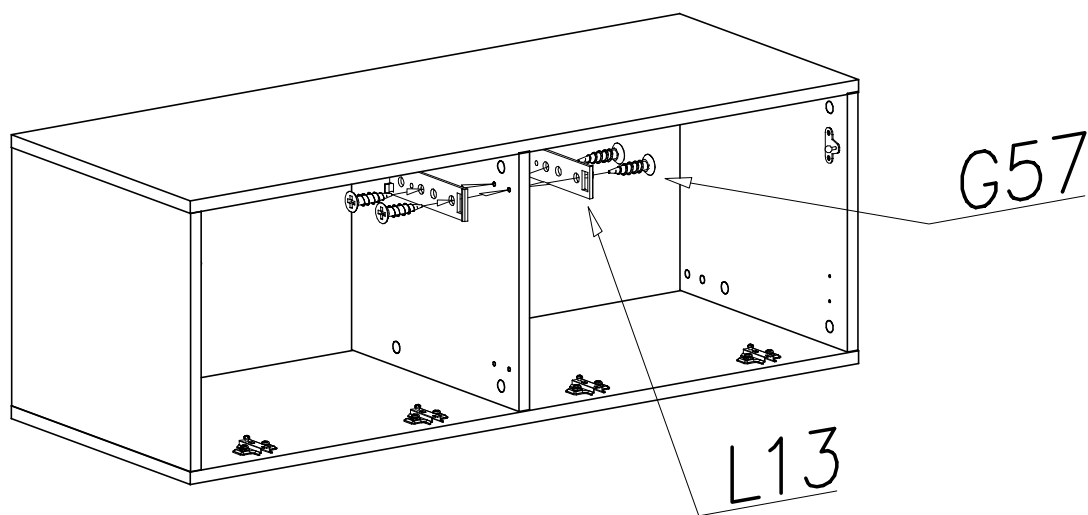
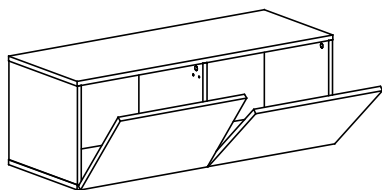


IX

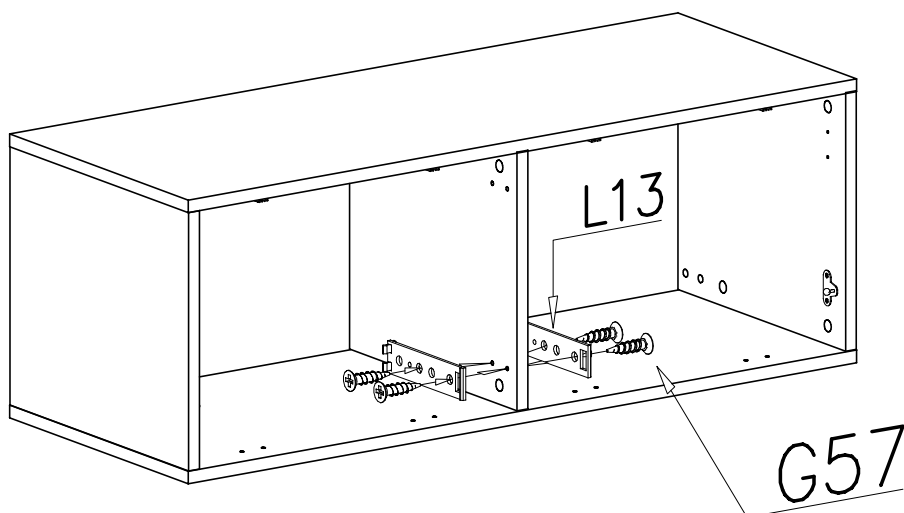
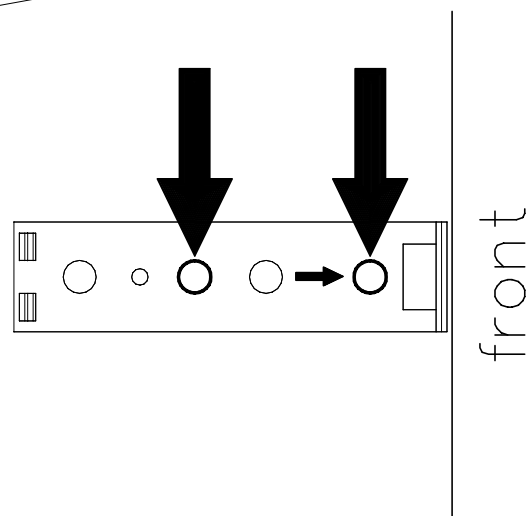
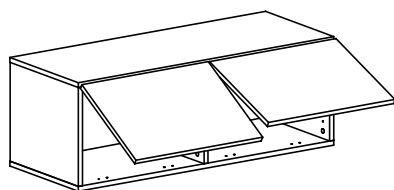


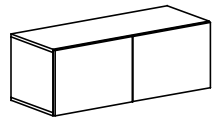


X

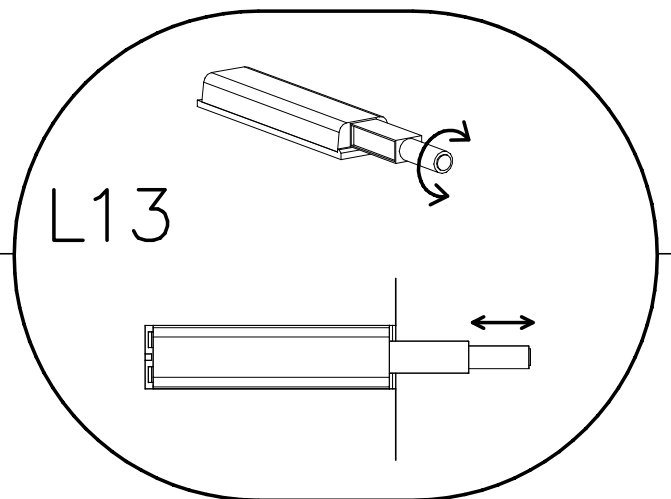
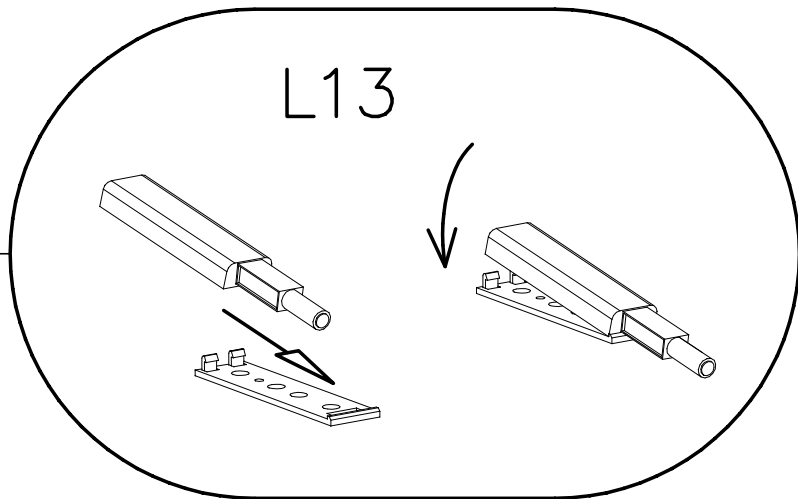
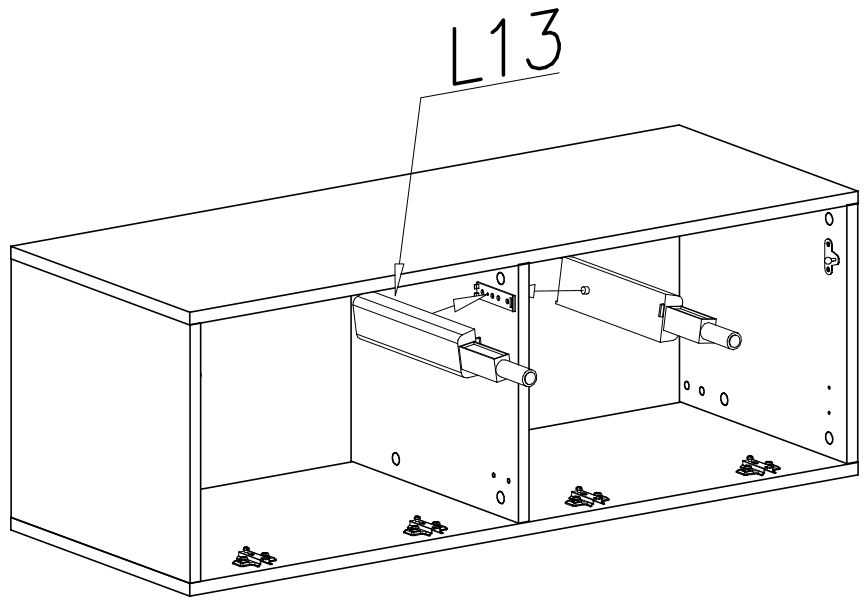
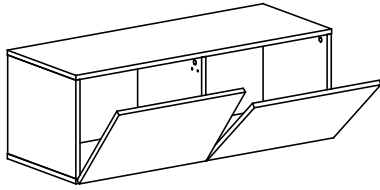


X

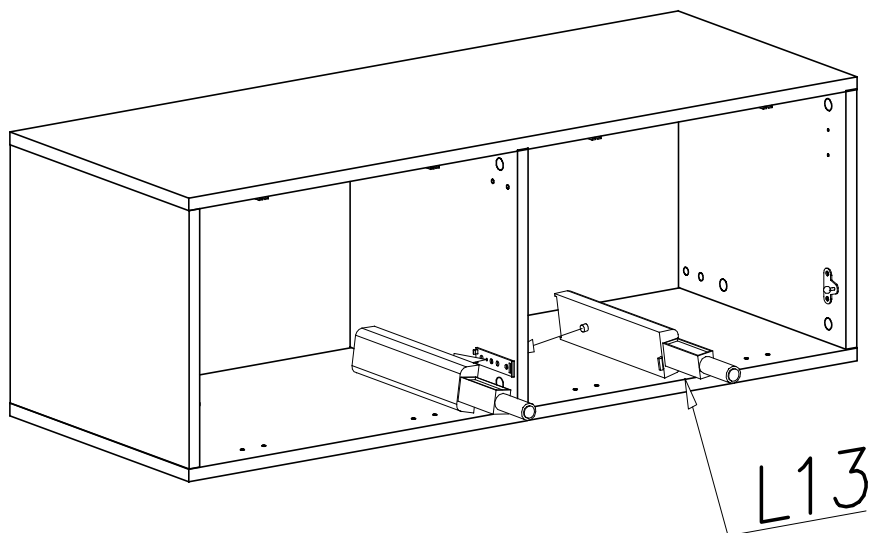
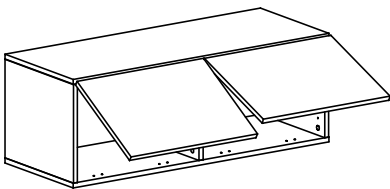


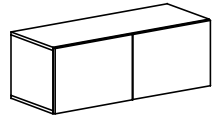


XI

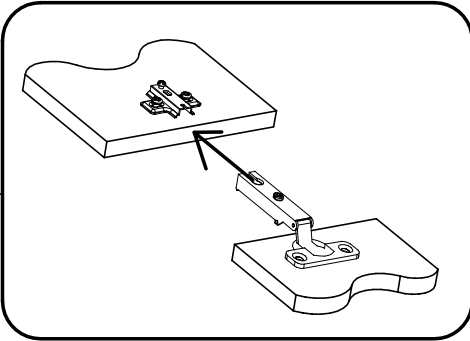
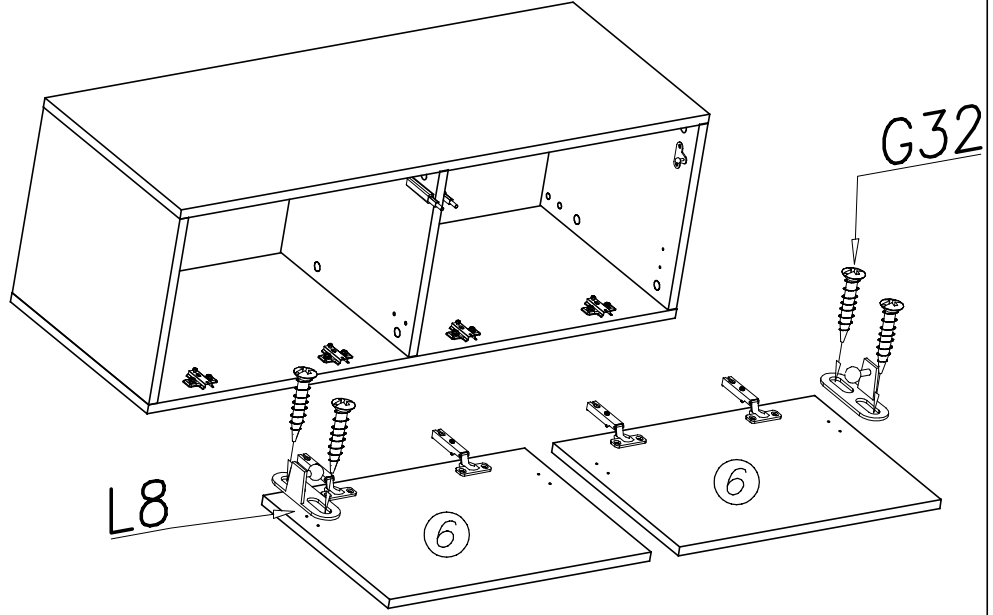
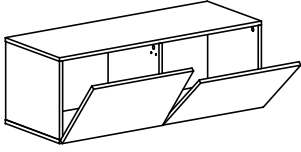


XI

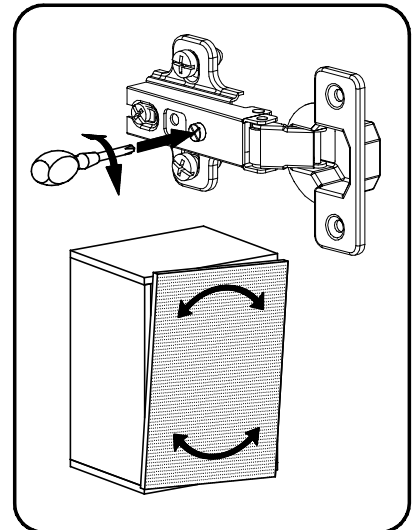
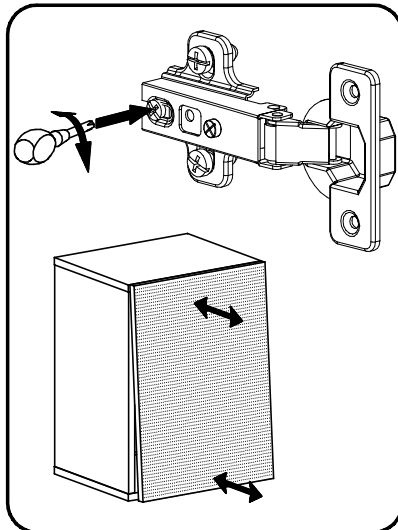
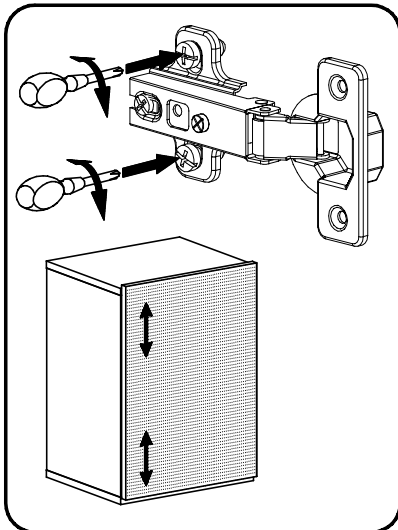
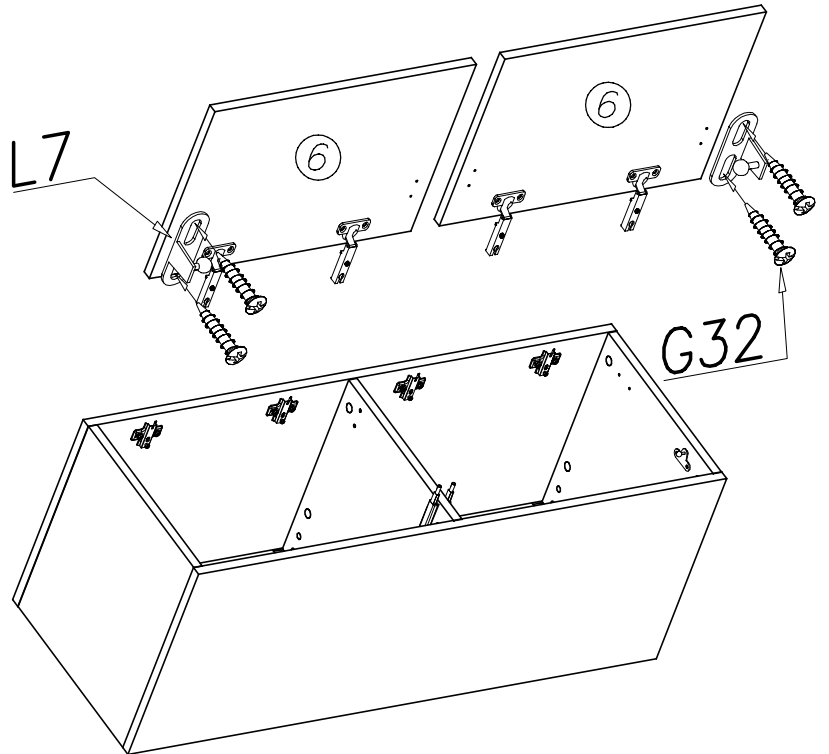
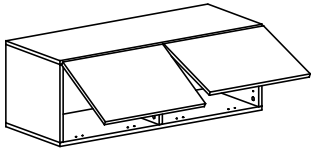


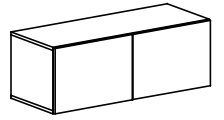


XII

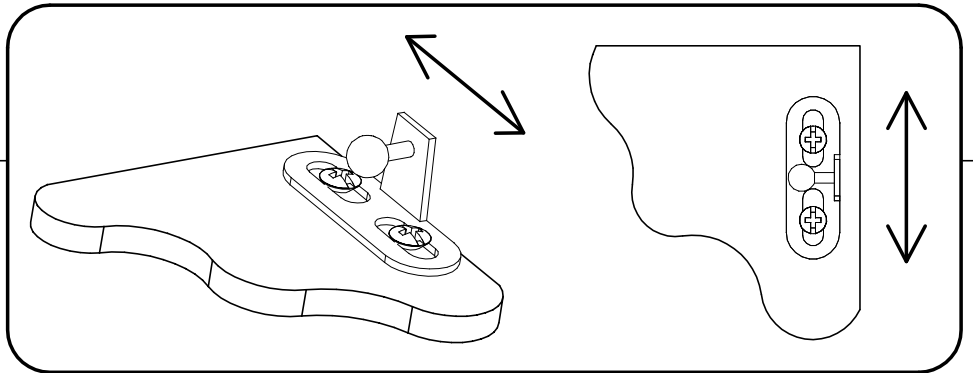
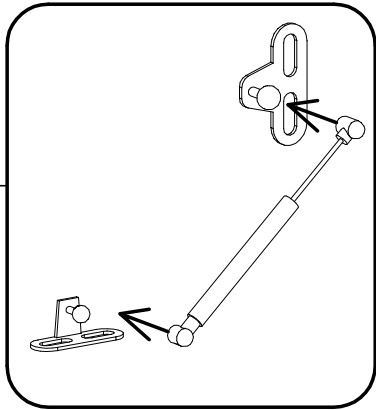
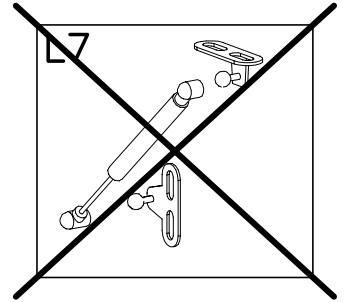
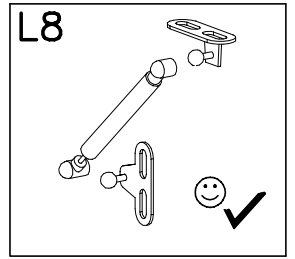
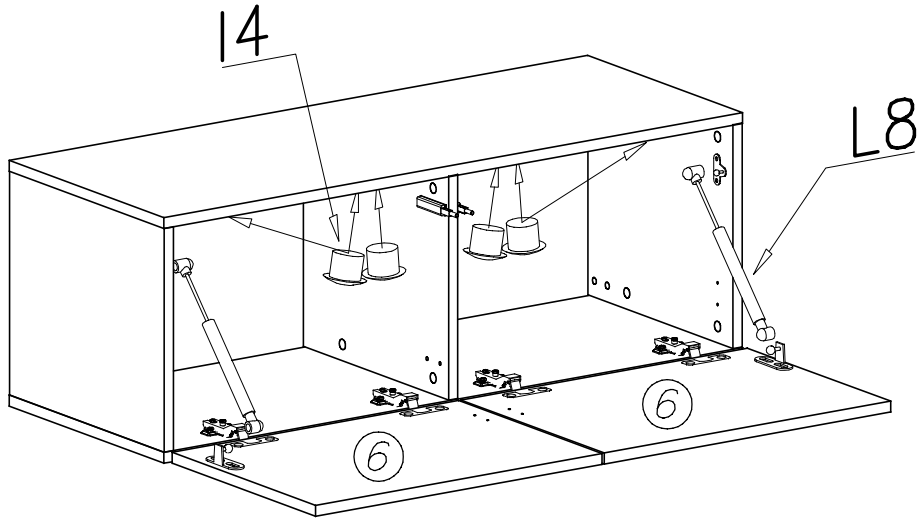
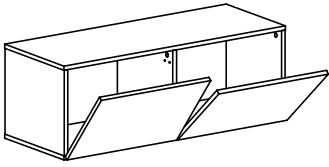


XII

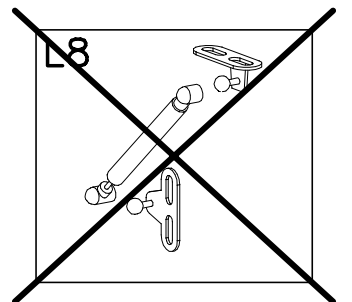
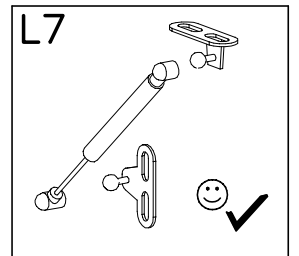
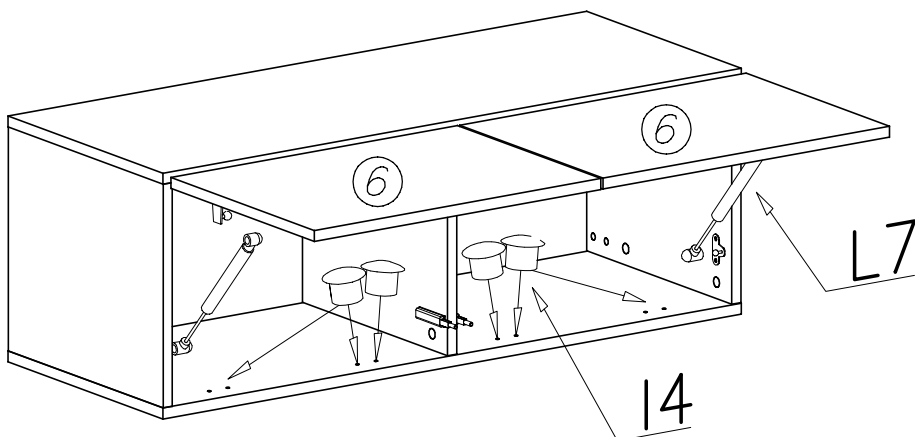
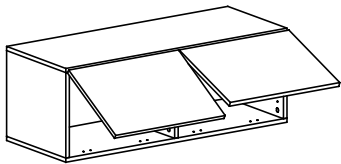


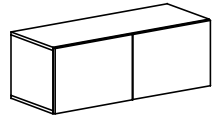


XIII

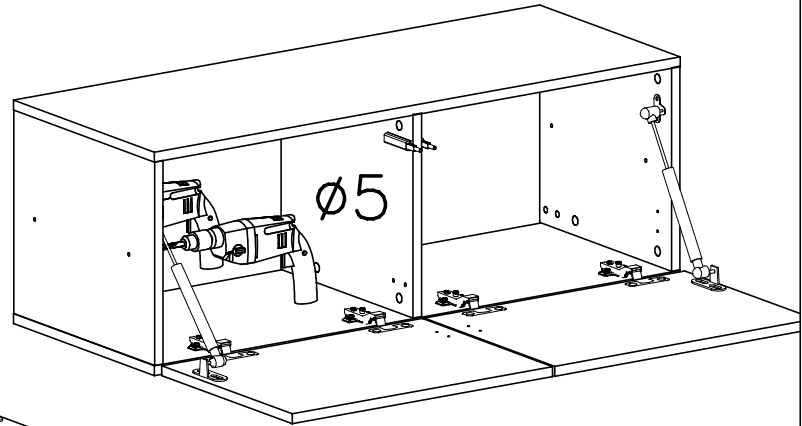
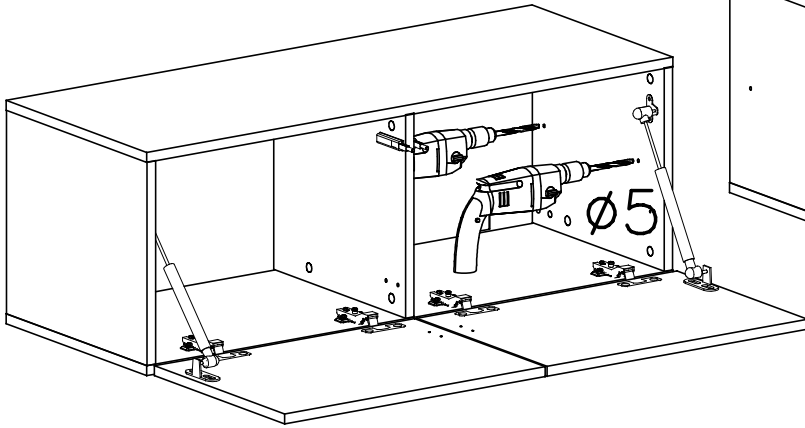
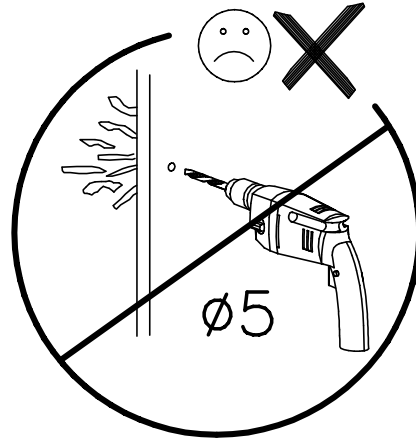
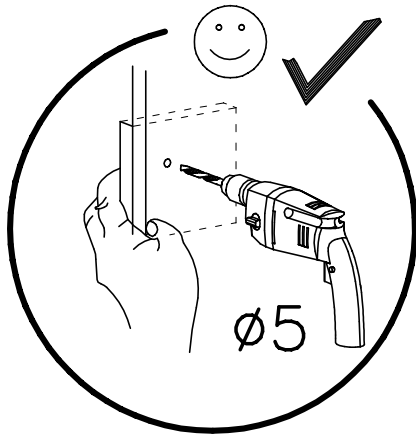


XIII





XIV



XV

