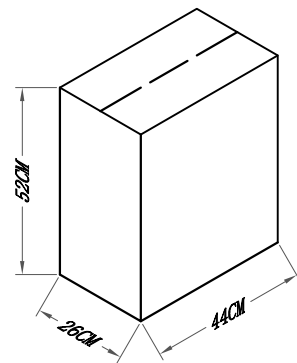
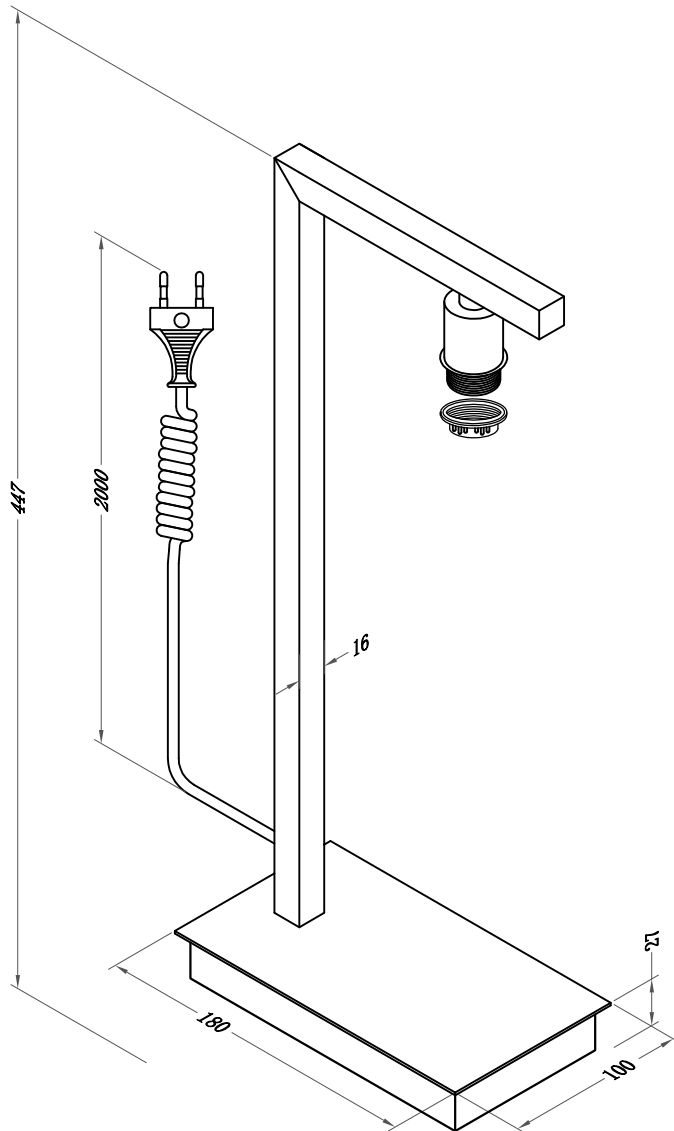


IT'S ABOUT RoMi[®]

CITY LIGHTS
↳ Technical drawing & packing details

BOSTON/T/B
BOST010SA



Box size: 44 x 26 x 52 CM
Total cbm: 0.059
G.W.: 5.5 KGS
N.W.: 2.9 KGS
Number of boxes: 4 PC