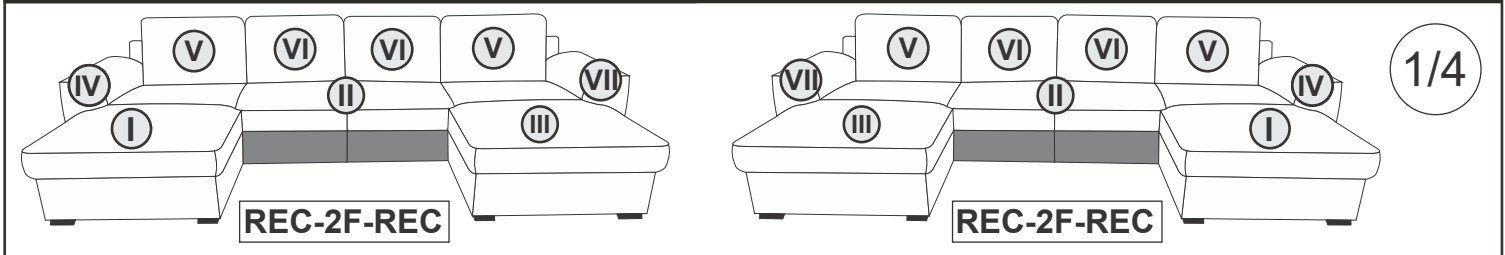
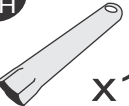


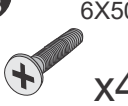




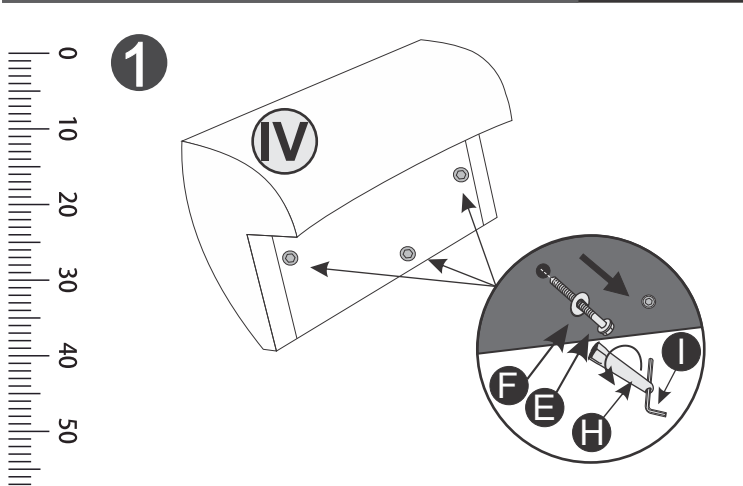


2X 	25 MIN 					
MODEL "MM249/DRIFT"						

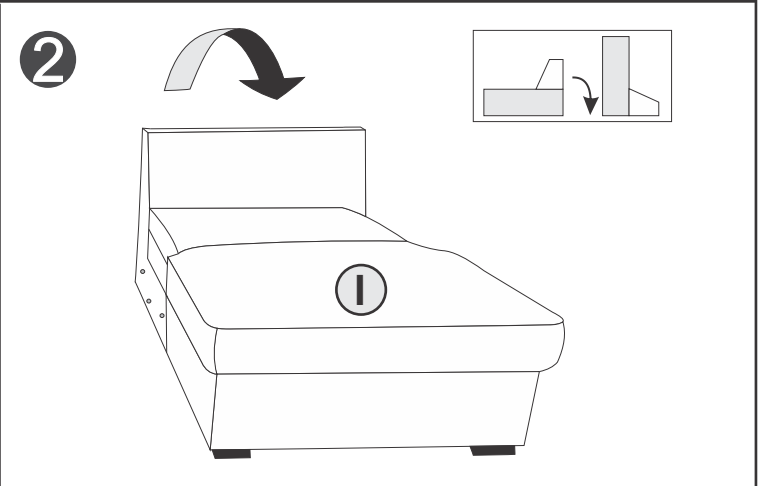


H  x1	I  6MM x1	A CORDOBA H45  x4	B 6X50  x4	C LG 45  x4	G  2x	E M8X60  x6	F  x6
hardware bag/sachet materiel/zubehorbeutel/sachetti materiale/bolsa de materiales/worek materialowy				pre-assembled/ pre assemble/vormontiert/premontato/wstepnie/zamontowane			

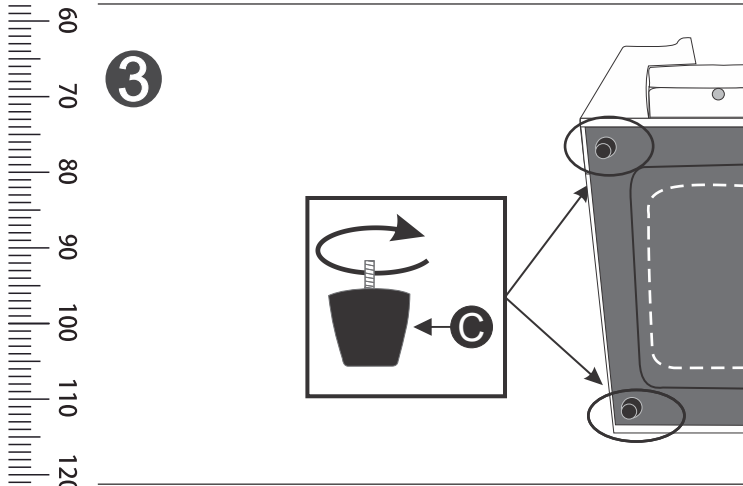
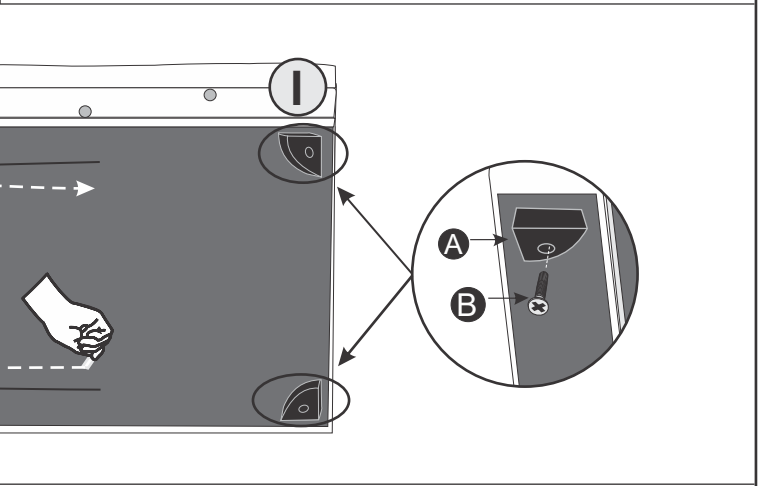
1



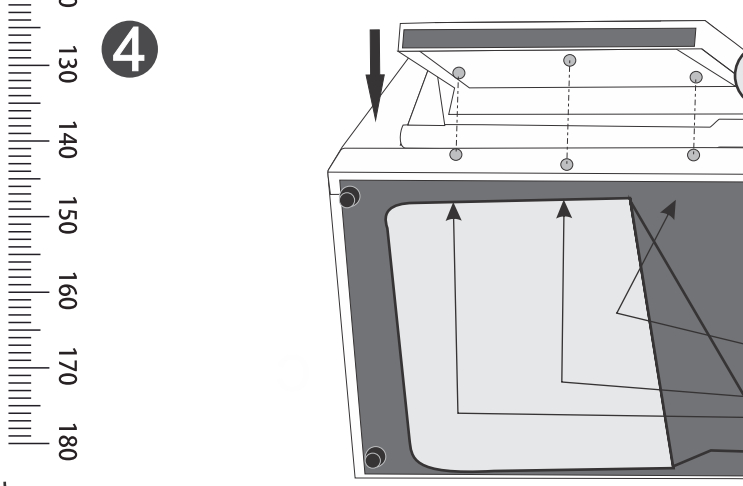
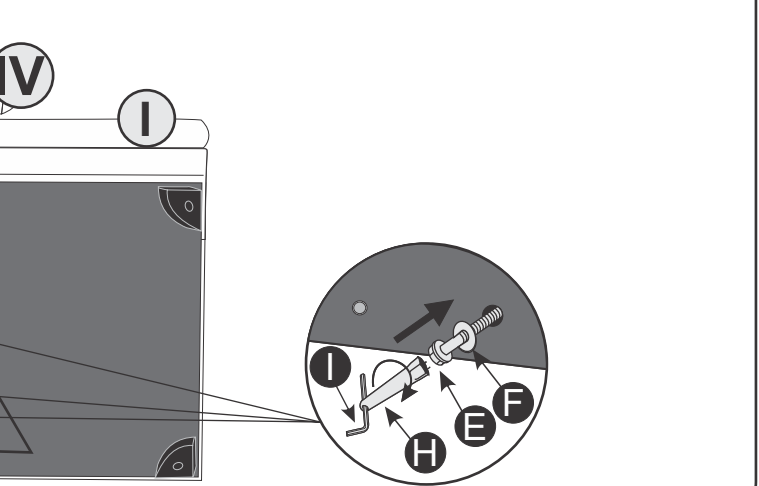
2



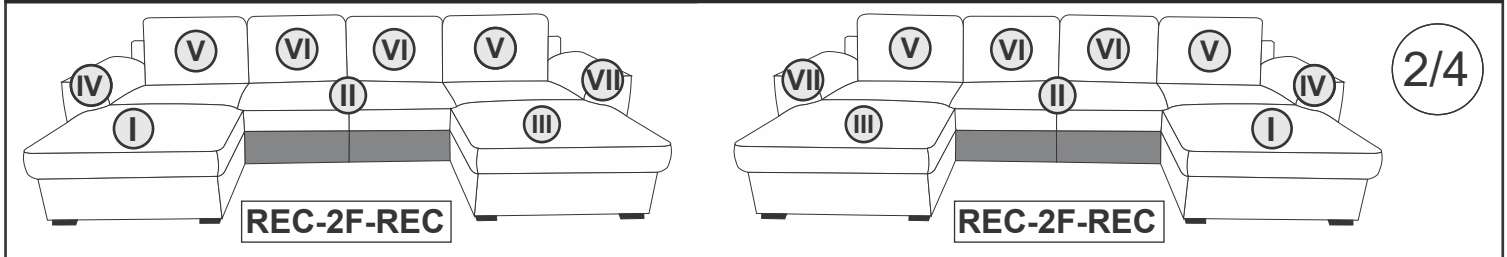
3

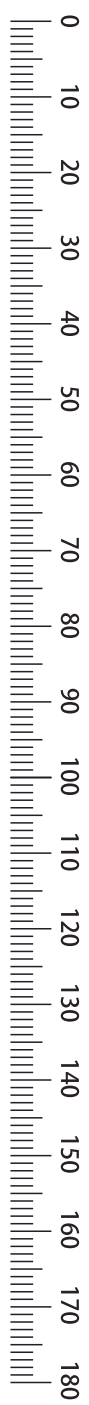
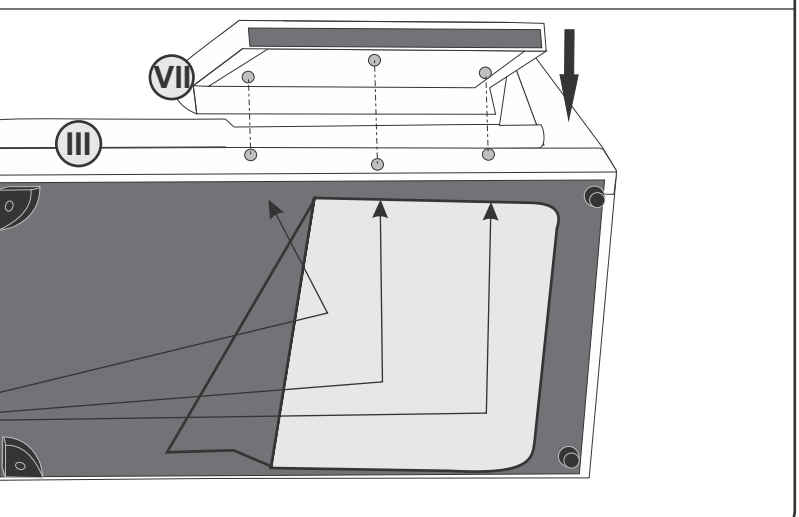
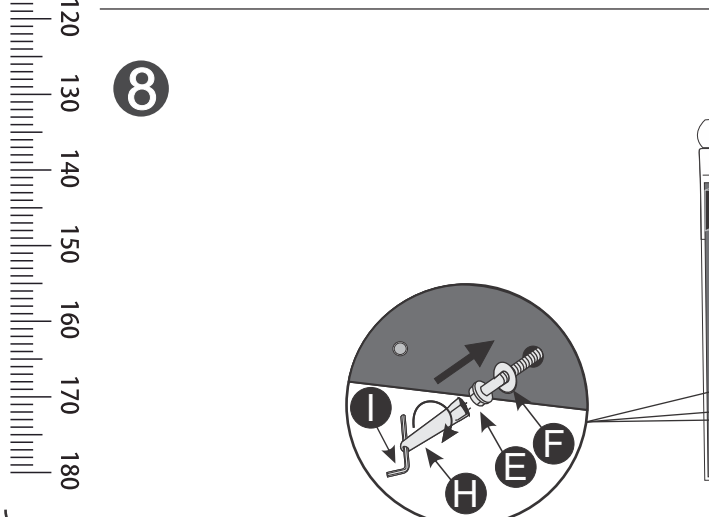
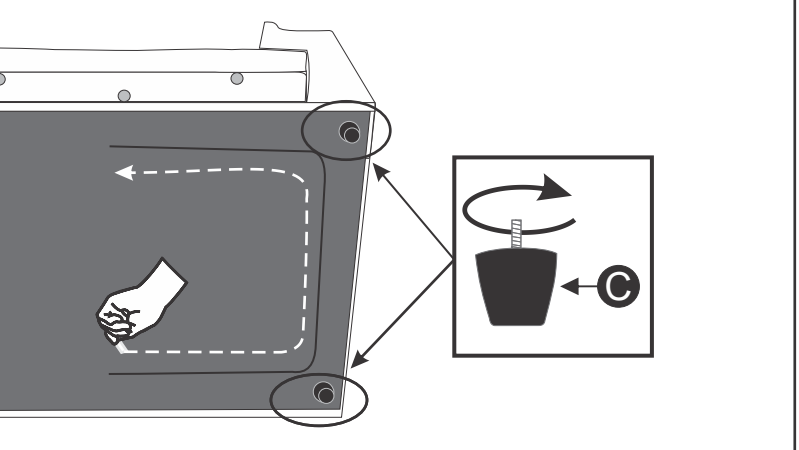
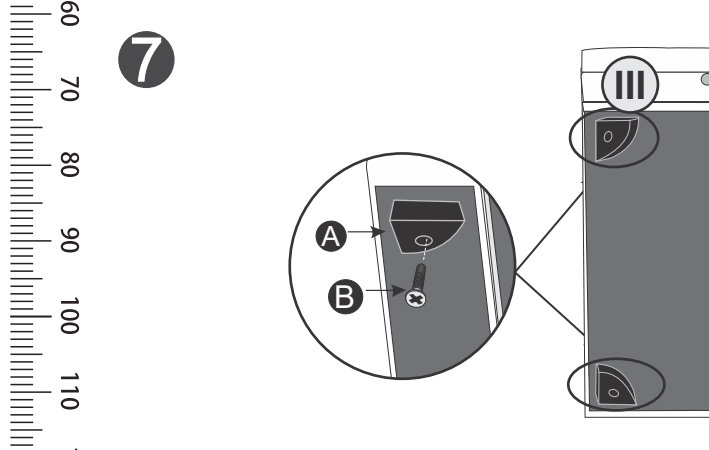
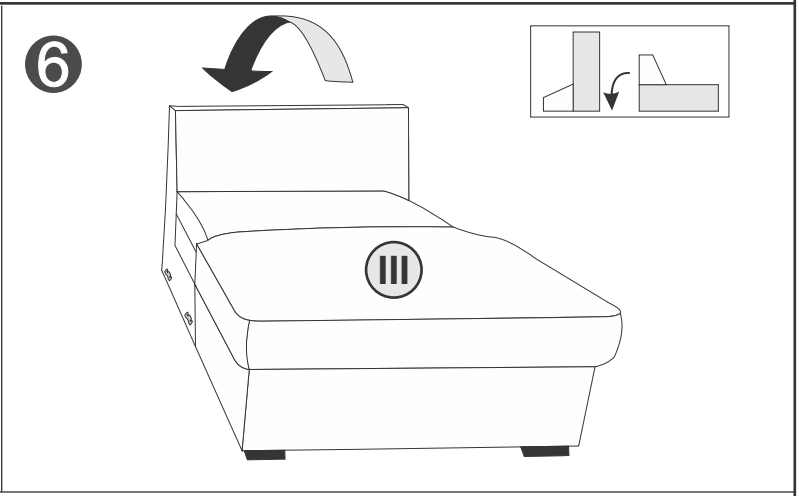
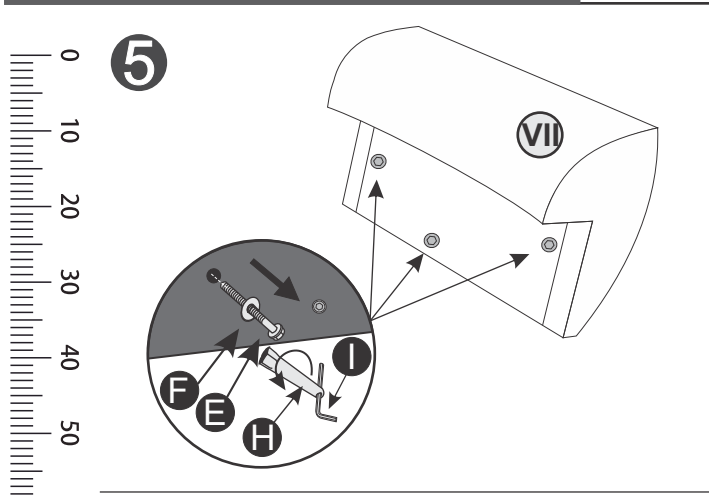
4

2X	25 MIN							
MODEL "MM249/DRIFT"								

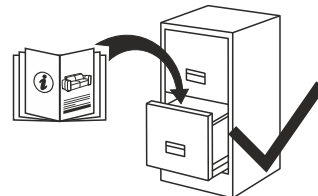
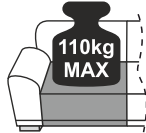


H x1	I 6MM x1	A CORDOBA H45 x4	B 6X50 x4	C LG 45 x4	G 2x	E M8X60 x6	F x6
hardware bag/sachet materiel/zubehorbeutel/sachetti materiale/bolsa de materiales/worek materialowy		pre-assembled/ pre assemble/vormontiert/premontato/wstepnie/zamontowane					

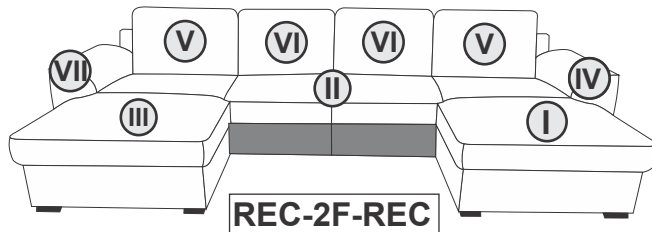
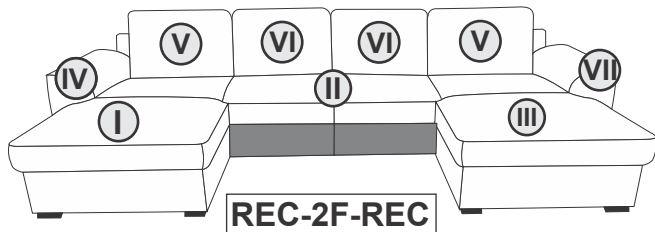


2X

25 MIN

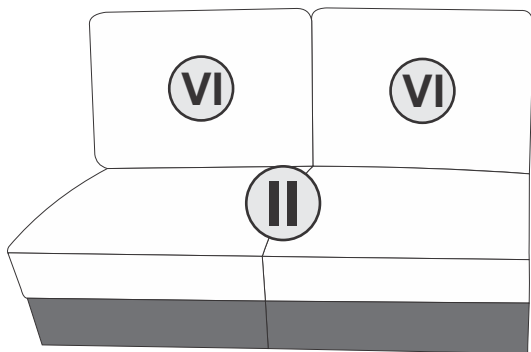
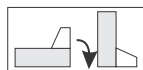


MODEL "MM249/DRIFT"

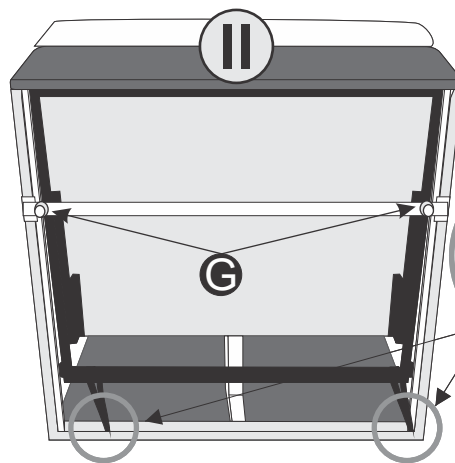


3/4

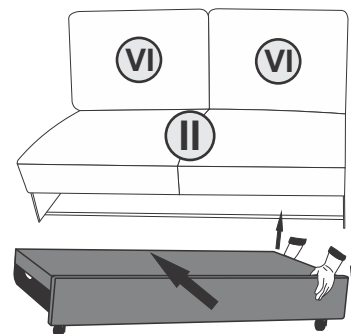
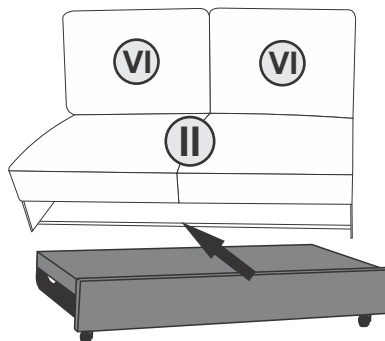
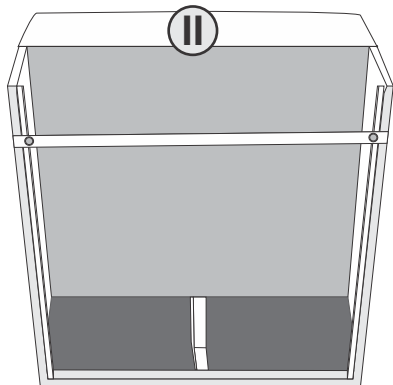
9



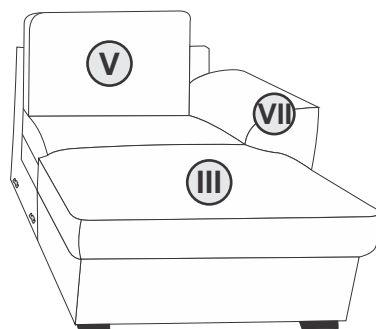
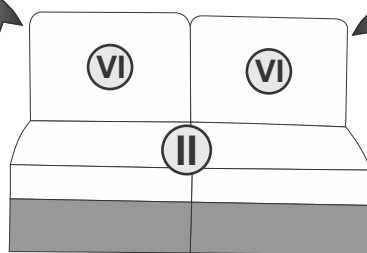
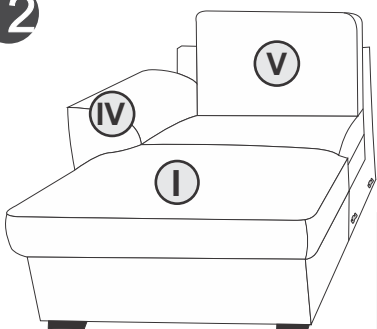
10



11

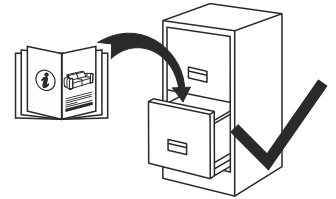
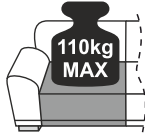
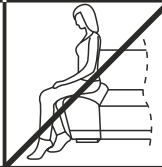


12

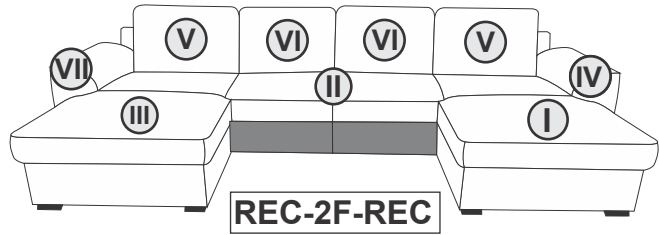
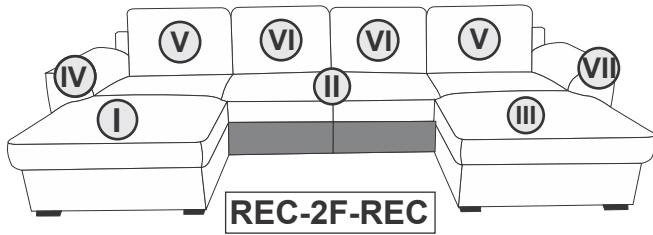


2X

25 MIN

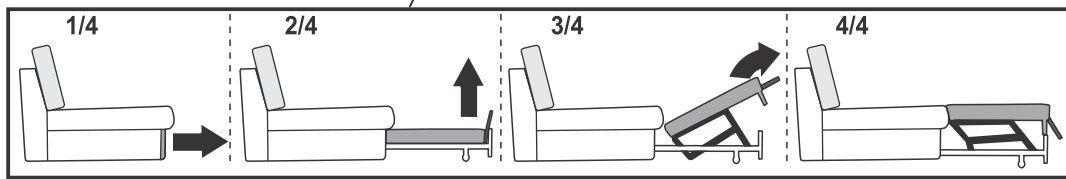
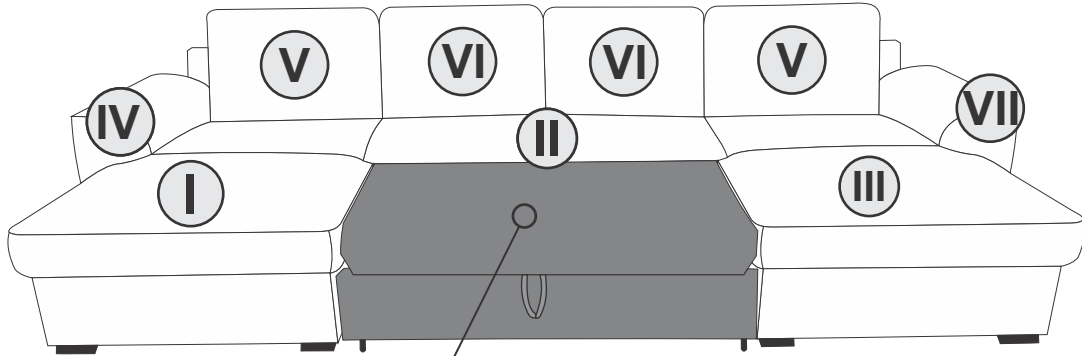


MODEL "MM249/DRIFT"



3/4

13



14

