

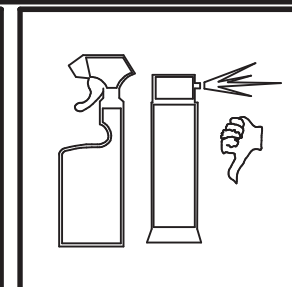
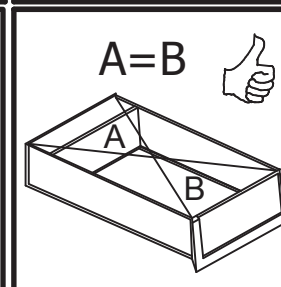
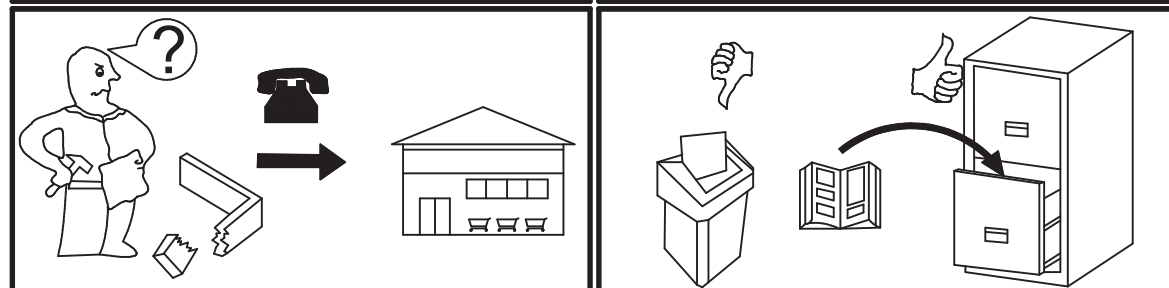
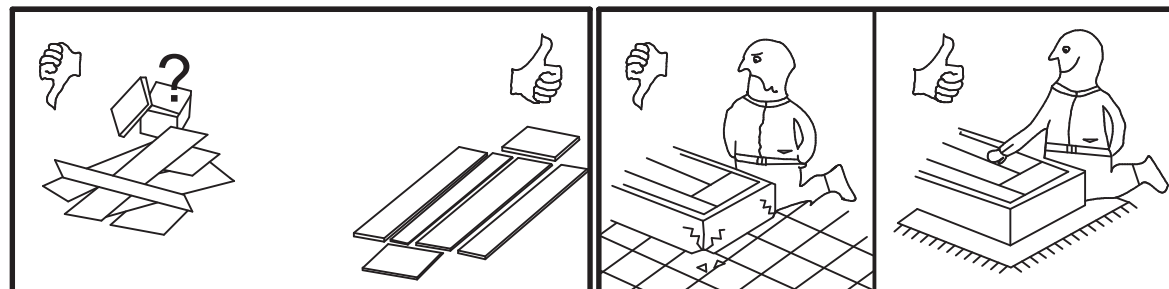
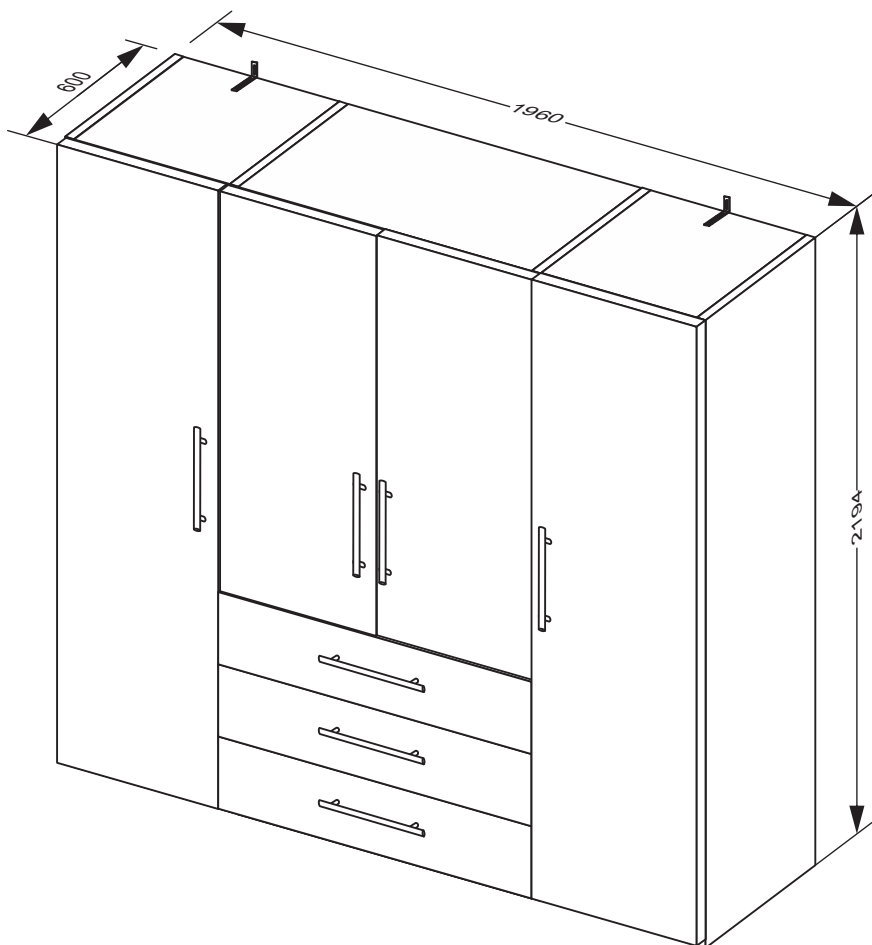




MAGNUM

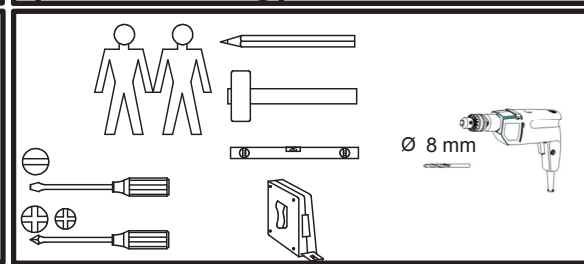
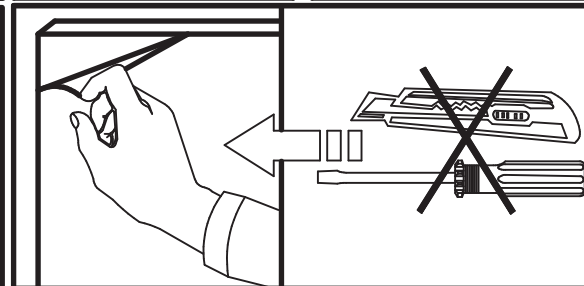
08850004/05

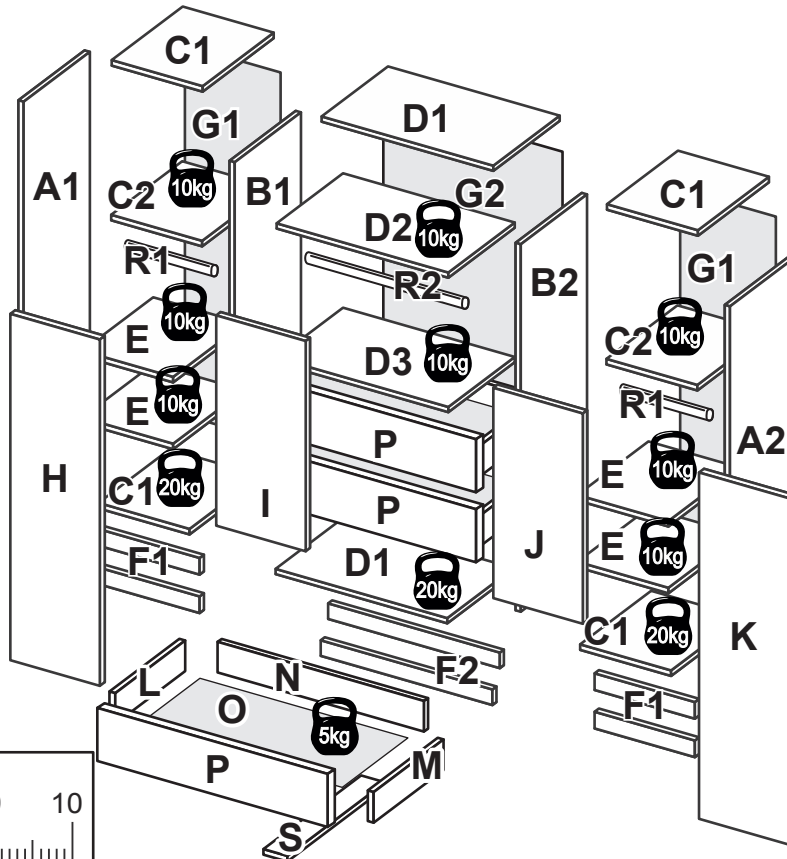
08850004/01

08850004/09



- 20 $\varnothing 4.2 \times 13$ x4 10413
- 18 $\varnothing 5 \times 60$ x2 10443
- 15  x2 08011
- 17  x2 10016



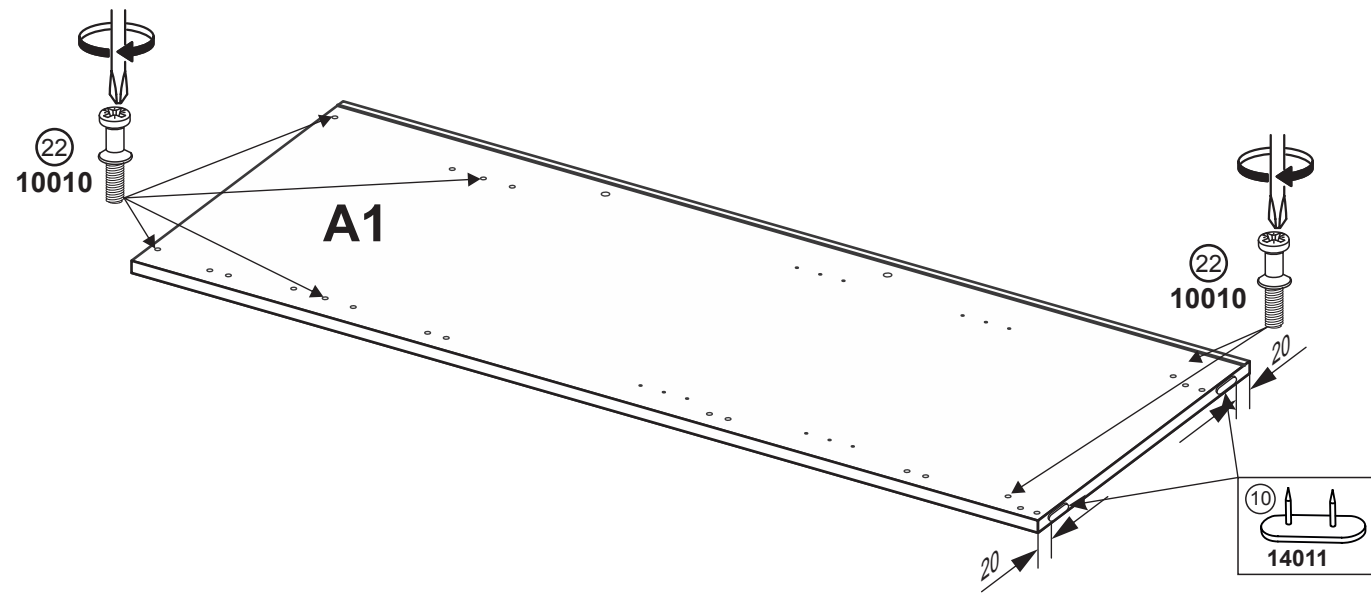


Teil	Maß	Stk	Colli
A1 -	2188 x 580 x 16	x 1	1/8
A2 -	2188 x 580 x 16	x 1	1/8
B1 -	2188 x 580 x 16	x 1	2/8
B2 -	2188 x 580 x 16	x 1	2/8
C1 -	466 x 580 x 16	x 4	3/8
C2 -	466 x 566 x 16	x 2	3/8
D1 -	964 x 580 x 16	x 2	4/8
D2 -	964 x 566 x 16	x 1	4/8
D3 -	964 x 566 x 16	x 1	4/8
E -	466 x 556 x 16	x 4	5/8
F1 -	466 x 50 x 16	x 4	3/8
F2 -	964 x 50 x 16	x 2	6/8
G1 -	2114 x 474 x 3	x 2	1/8
G2 -	2114 x 972 x 3	x 1	2/8
H -	2155 x 486 x 18	x 1	7/8
I -	1423 x 486 x 18	x 1	8/8
J -	1423 x 486 x 18	x 1	8/8
K -	2155 x 486 x 18	x 1	7/8
L -	450 x 130 x 16	x 3	5/8
M -	450 x 130 x 16	x 3	5/8
N -	924 x 116 x 16	x 3	6/8
O -	936 x 455 x 16	x 3	6/8
P -	976 x 240 x 18	x 3	6/8
R1 -	459	- x 2	3/8
R2 -	957	- x 1	6/8
S -	450 x 64 x 16	x 3	6/8

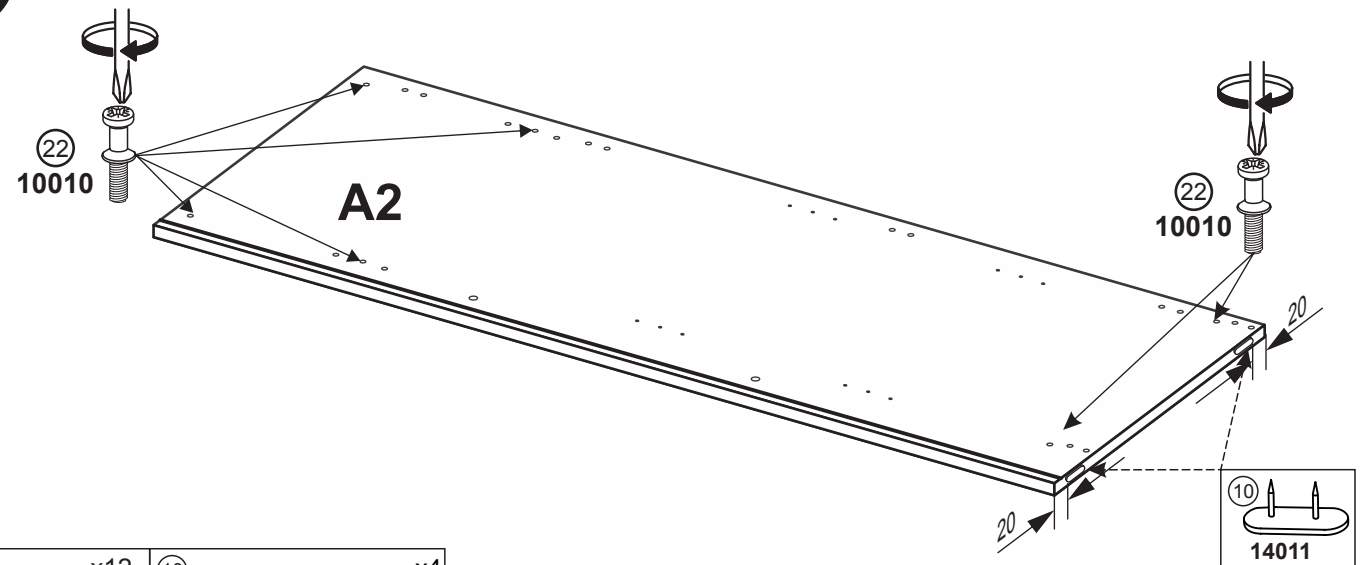


① Ø8x30 x38 21008	② Ø4x16 x28 10416	③ Ø6,4x50 x6 07650	④ x1 07001	⑤ x6 11002	⑥ x6 11016	⑦ x3 05629
⑧ x3 05630	⑨ Ø5x13 x24 10513	⑩ x8 14011	⑪ x16 16006	⑫ 35mm x4 A 91267	⑬ 35mm x4 B 91259	⑭ 35mm x2 C 91283
⑮ 35mm x4 D 91284	⑯ Ø6.3x13 x28 10613	⑰ Ø8x60 x2 10016	⑱ Ø5x60 x2 10443	⑲ x2 08011	⑳ Ø4.2x13 x4 10413	㉑ Ø8x50 x8 21850
㉒ x40 10010	㉓ Ø6.3x10 x12 10615	㉔ x14 01001	㉕ Ø30x15 x6 80333	㉖ x7 65788	㉗ x12 05030	㉘ Ø3.5x15 x24 10315
㉙ x6 00212	㉚ Ø4.2x32 x6 10432	㉛ Ø4.2x19 x12 10419				

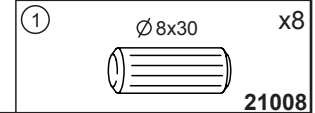
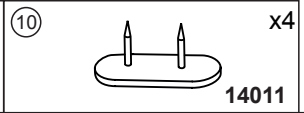
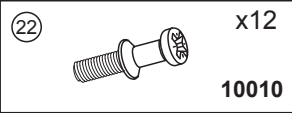
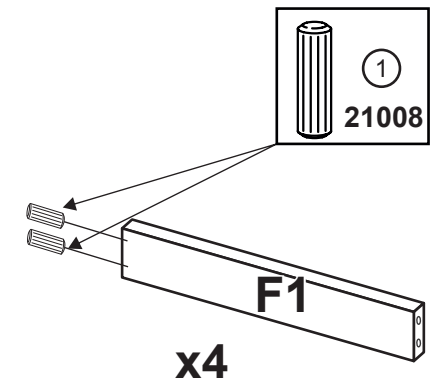
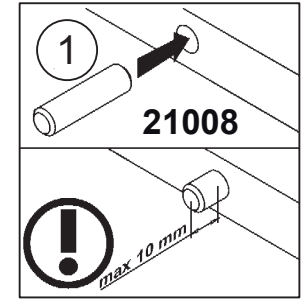
1

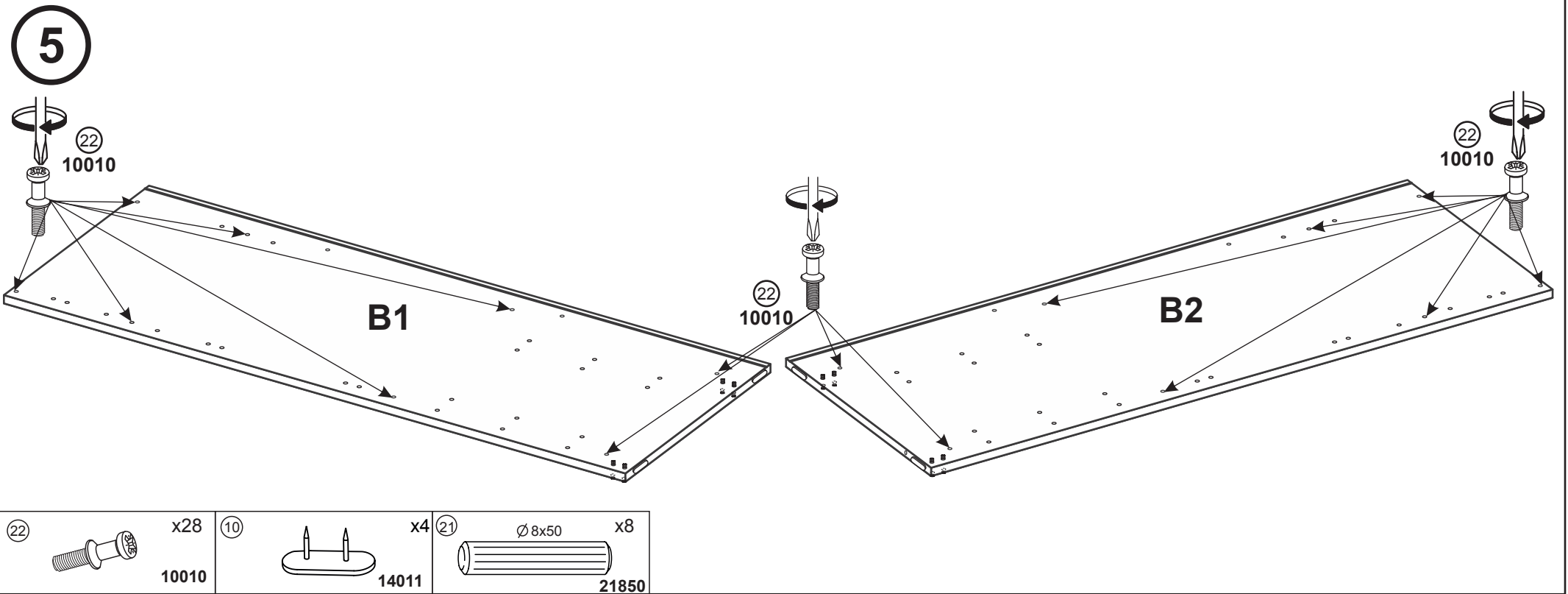
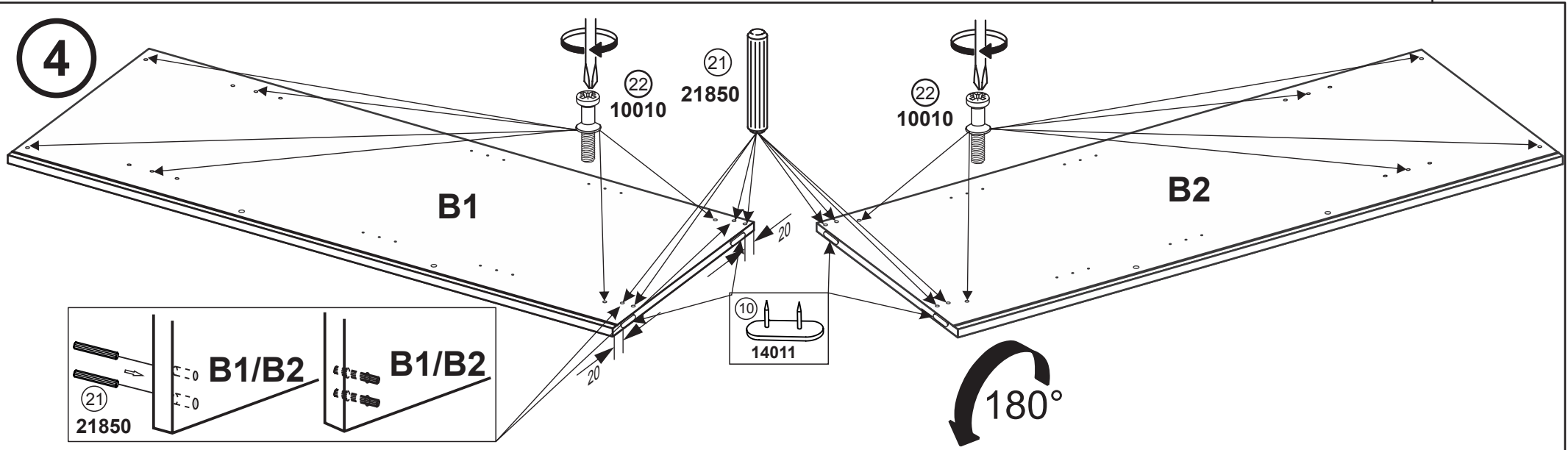


2

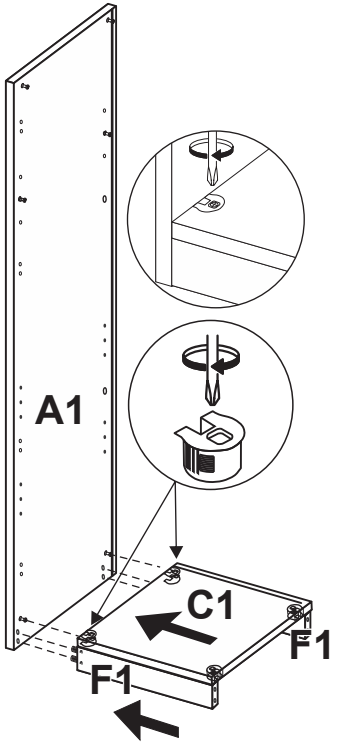


3

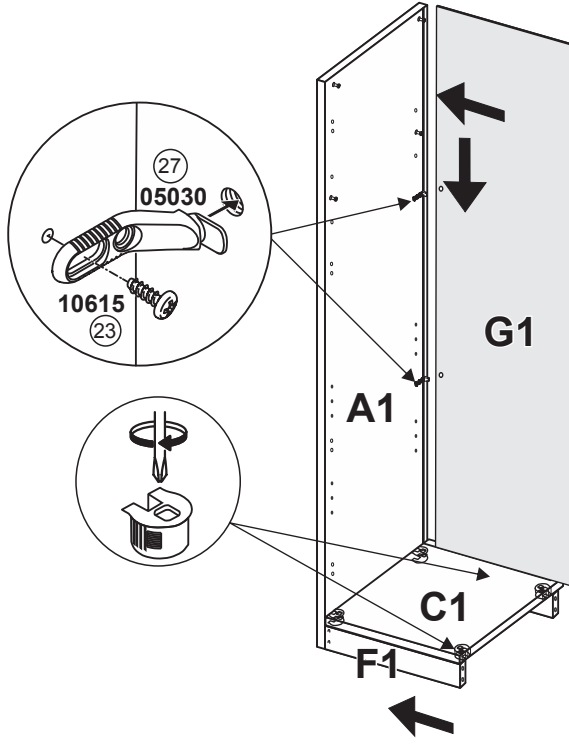




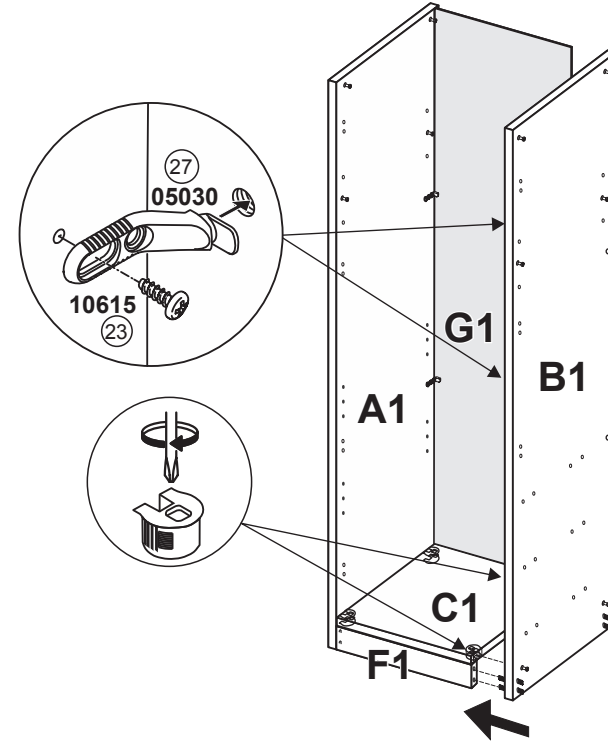
6



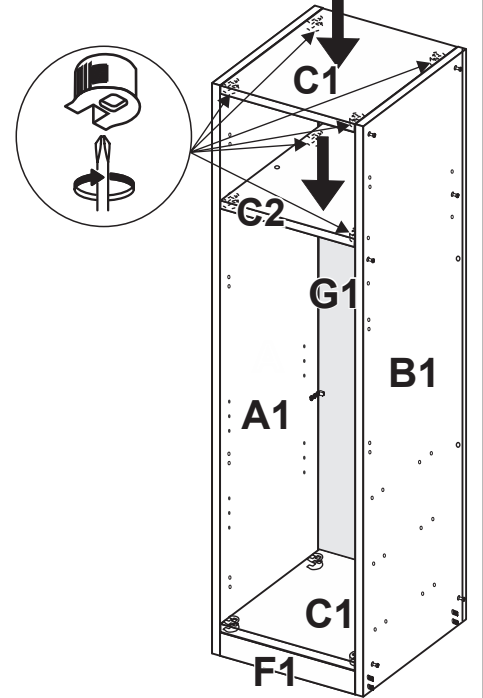
7



8

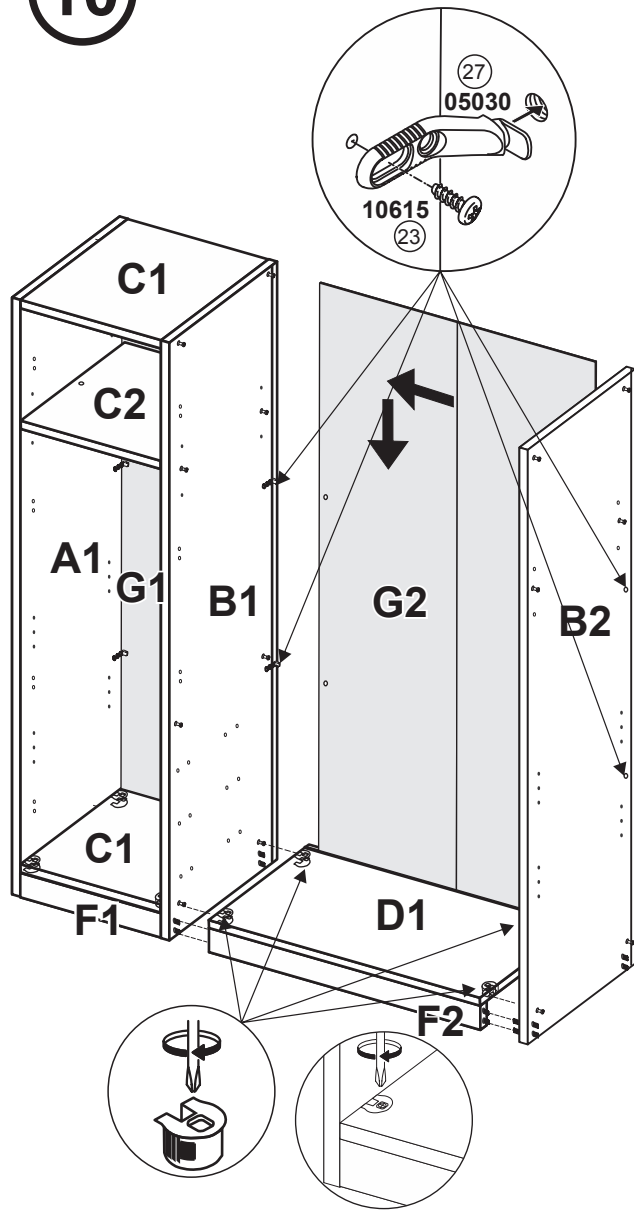


9

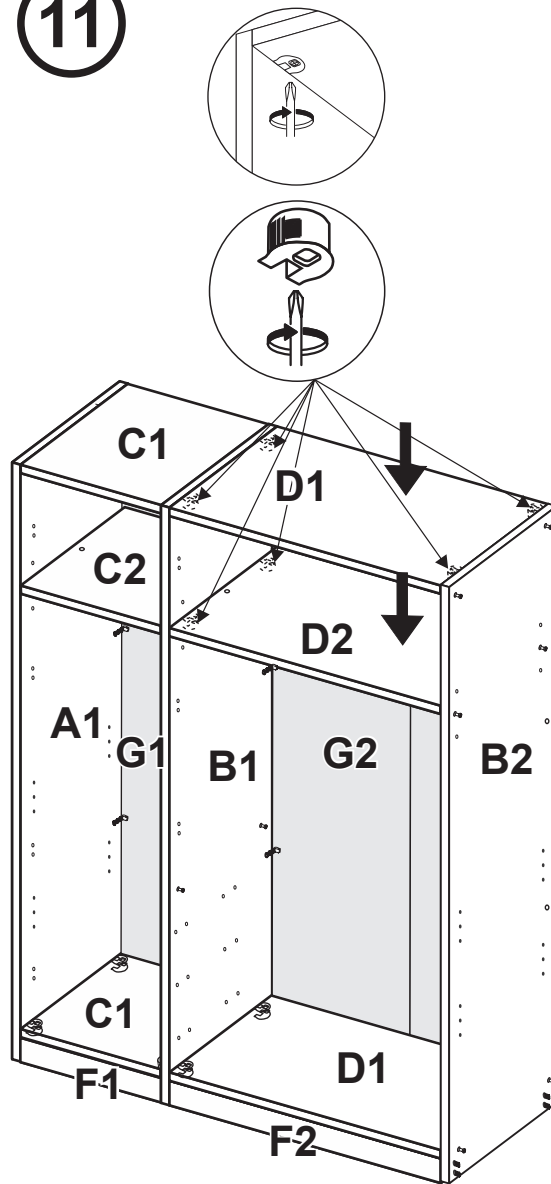


<p>27 x4</p> <p>05030</p>	<p>23</p> <p>∅6.3x10 x4</p> <p>10615</p>
---------------------------	------------------------------------------

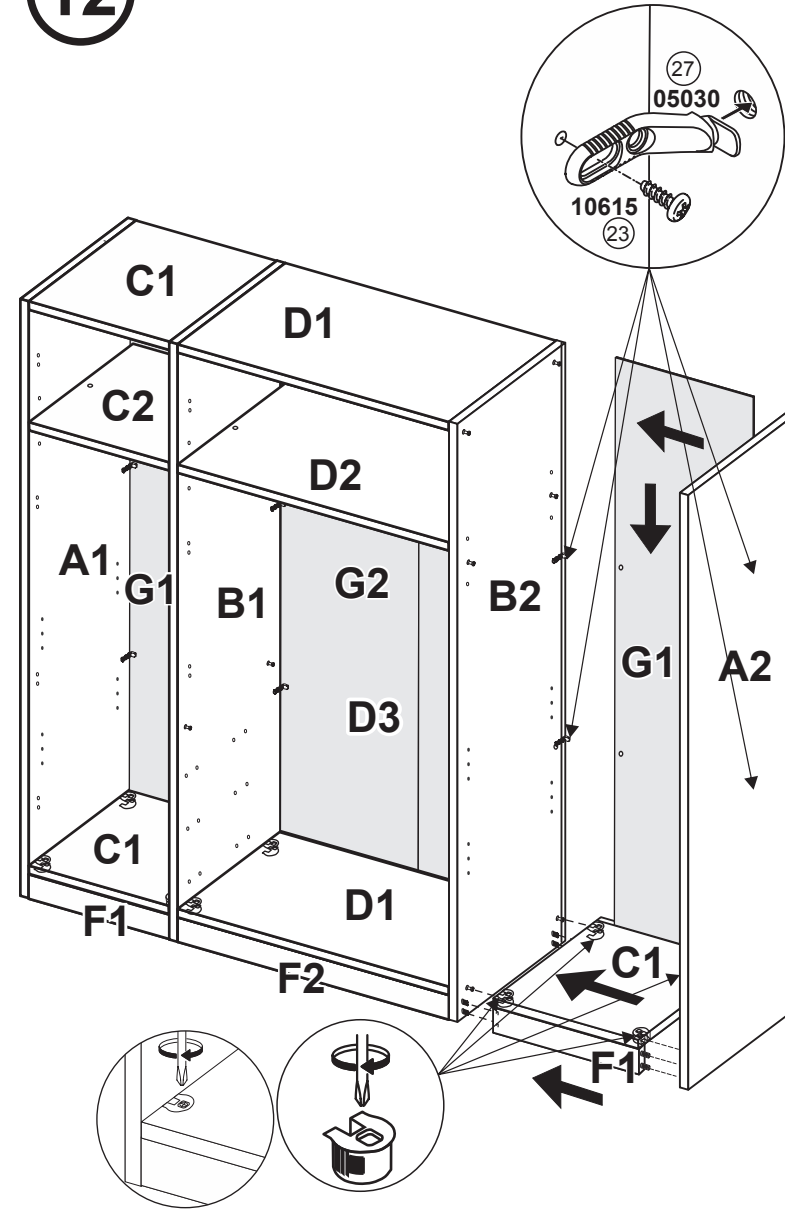
10



11

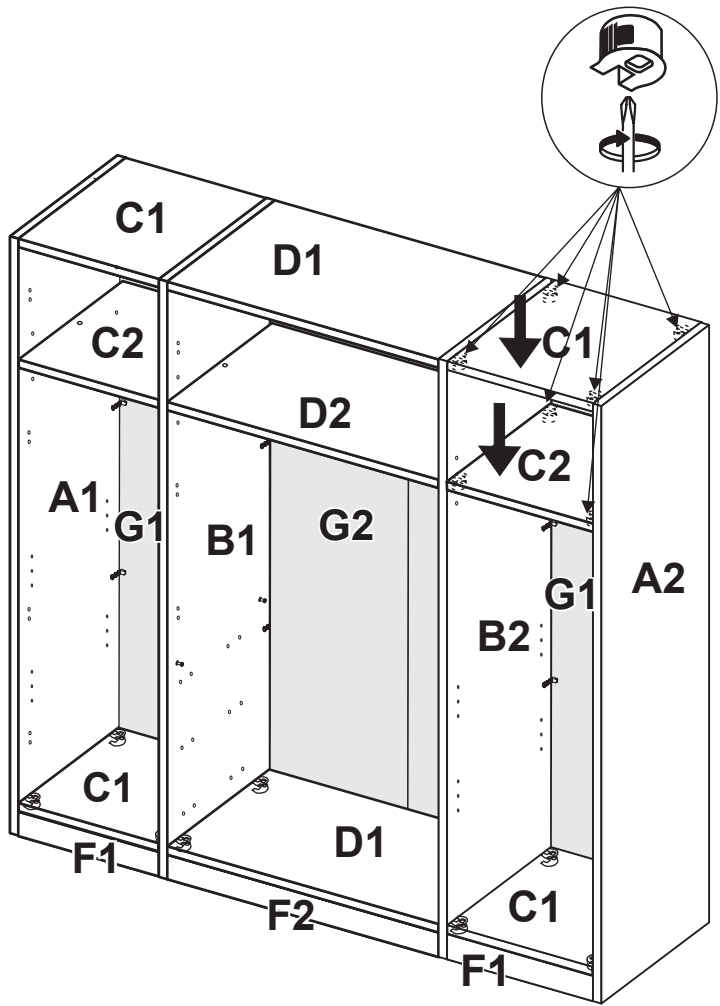


12

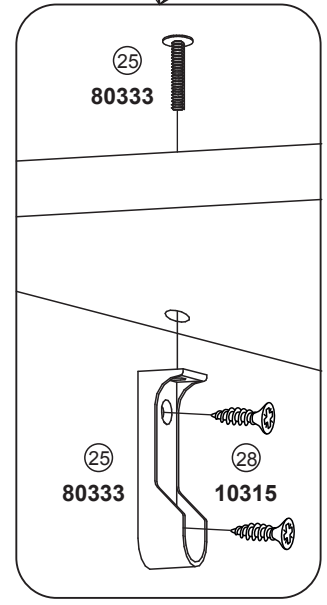
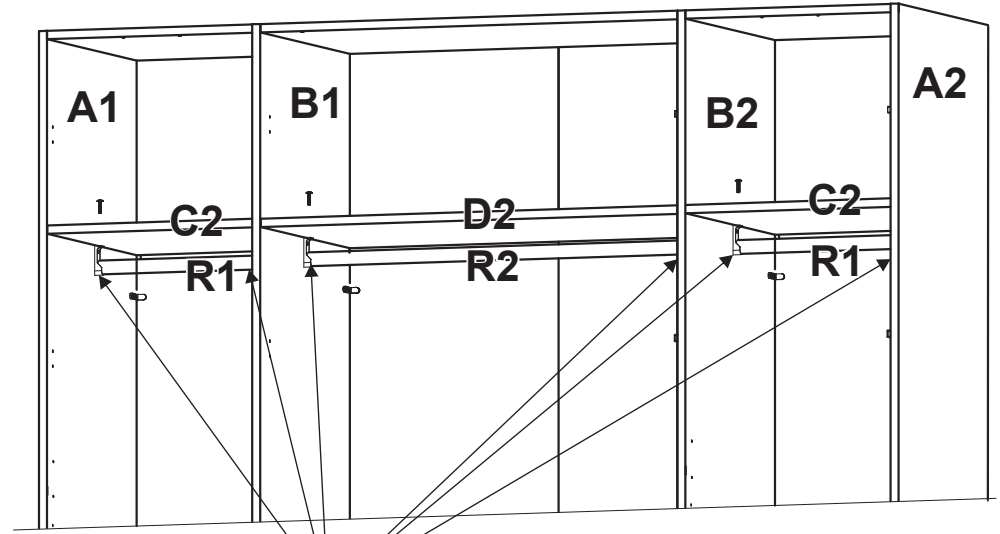



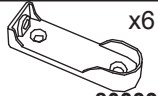


<p>27</p> <p>x8</p> <p>05030</p>	<p>23</p> <p>∅6.3x10</p> <p>x8</p> <p>10615</p>
----------------------------------	-------------------------------------------------

13

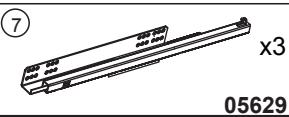
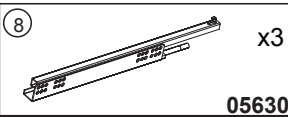
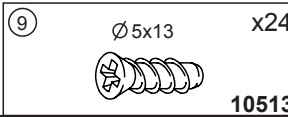
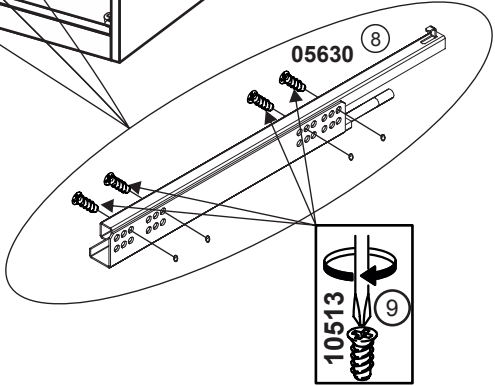
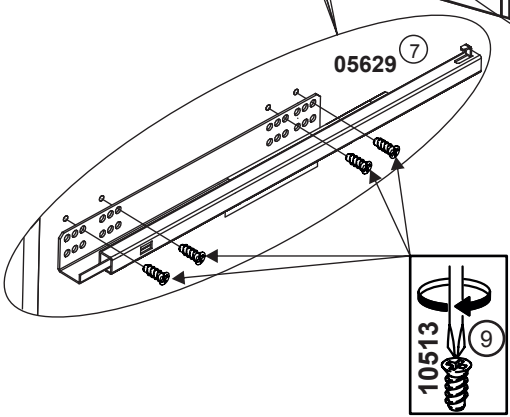
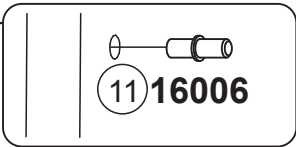
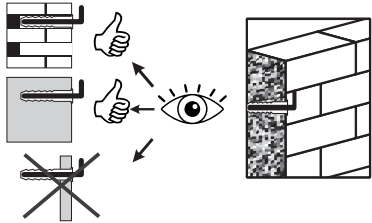
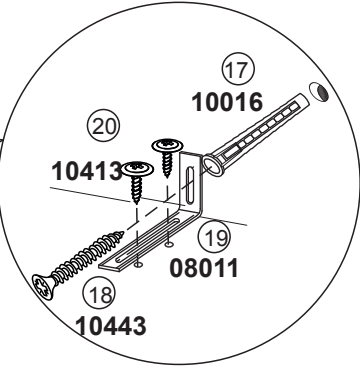
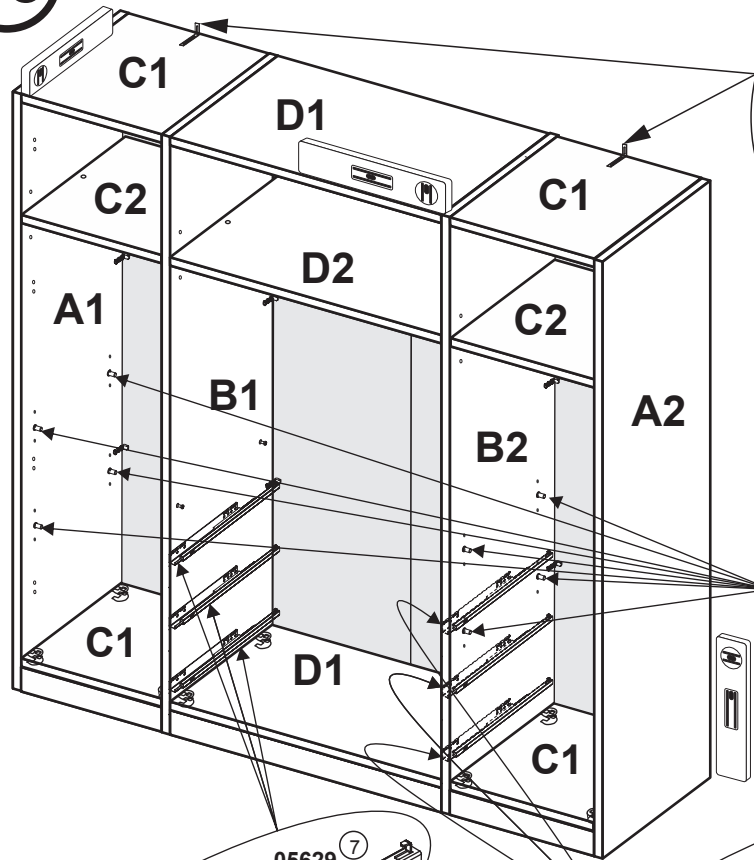


14



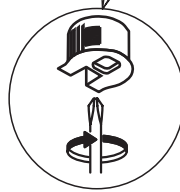
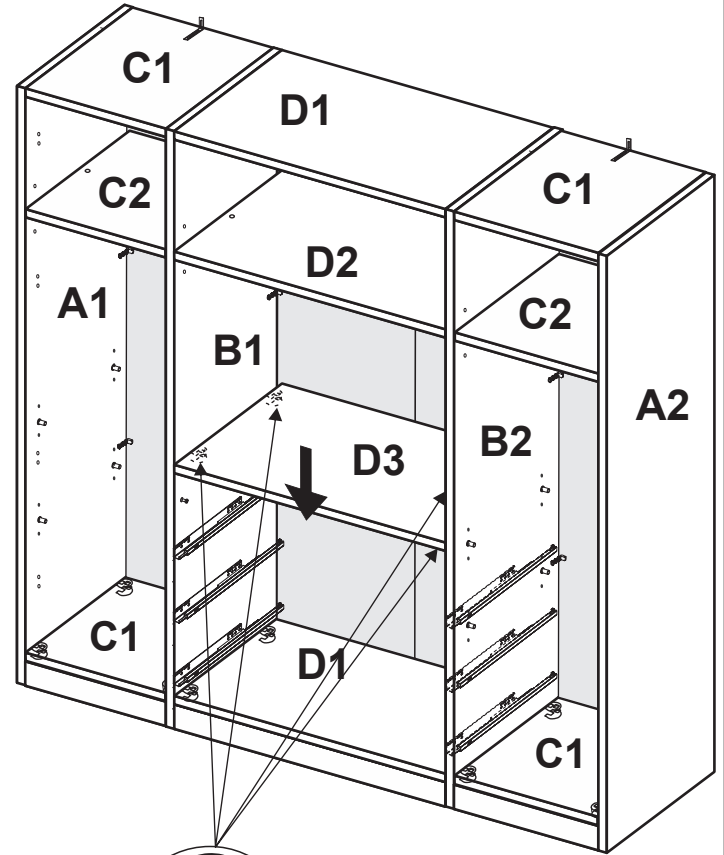
- | | | | | |
|---------------------------------------------------------------------------------------|---------------------------------------------------------------------------------------|---------------------------------------------------------------------------------------|---------------------------------------------------------------------------------------|-----|
| (25) Ø 30x15 | x6 | (28) | Ø 3.5x15 | x12 |
|  |  |  |  | |
| | 80333 | | 10315 | |

15



18	Ø5x60	x2
		10443
17	Ø8x60	x2
		10016
19		x2
		08011
20	Ø4.2x13	x4
		10413
11		x16
		16006

16



17

18

11002 (5)

21008 (1)

21008 (1)

21008 (1)

21008 (1)

11016 (6)

11016 (6)

21008 (1)

21008 (1)

21008 (1)

21008 (1)

07650 (3)

max 10 mm

19

26

65788 (26)

11016 (6)

00212 (29)

20

21

90°

a = b

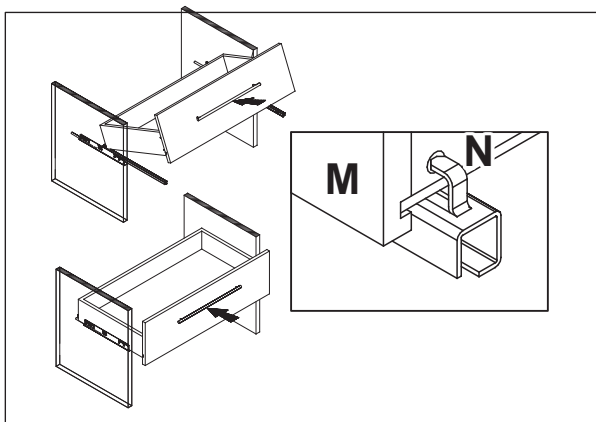
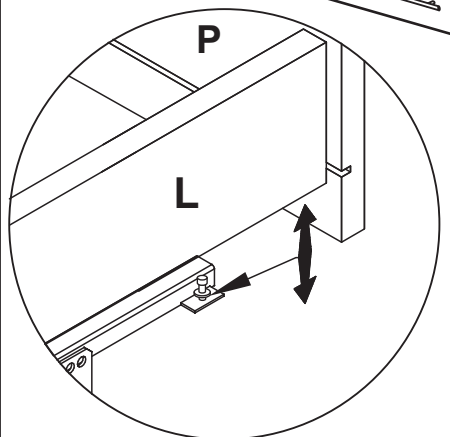
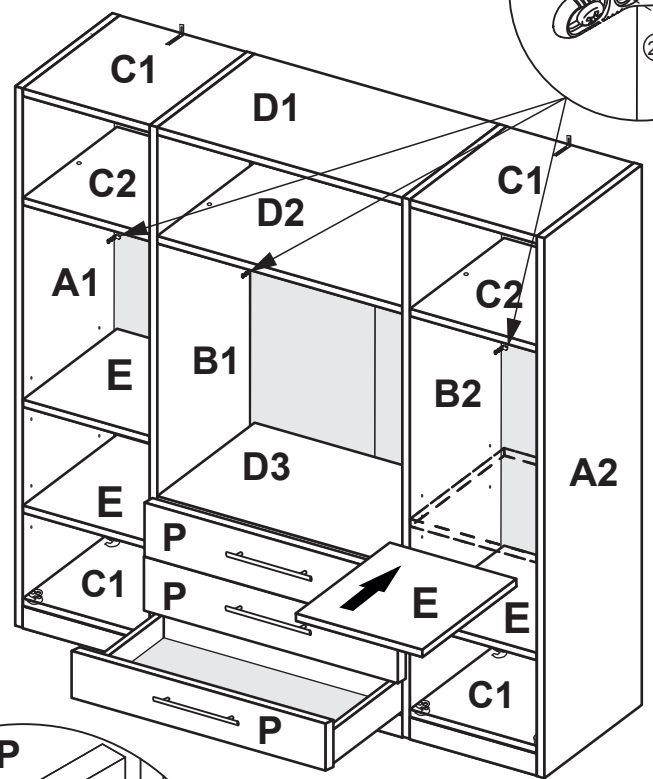
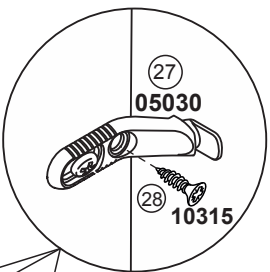
10419 (31)

10432 (30)

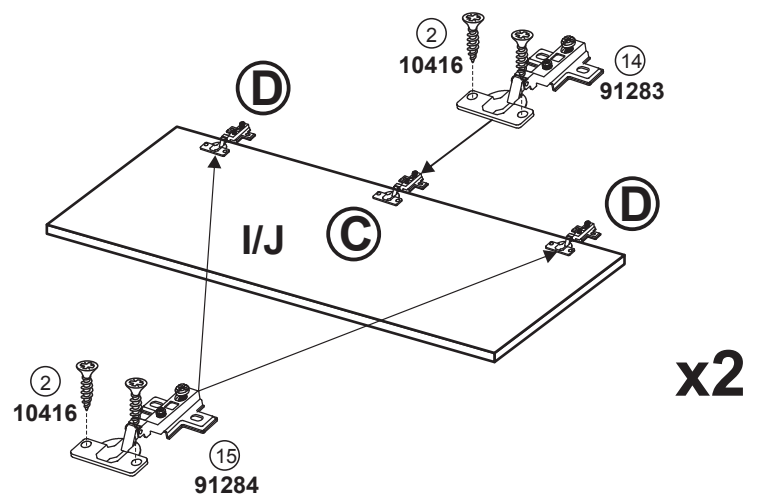
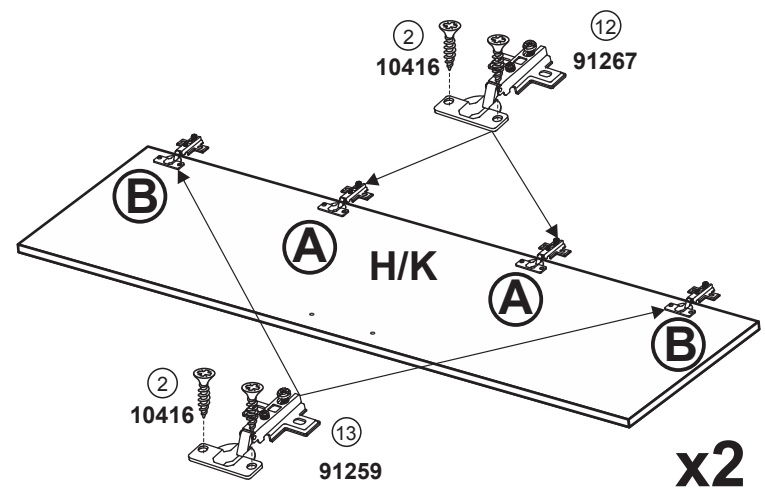
- | | | | | | | | | | | | | | | | | | |
|---|-------|---|-------|-----|-------|----|-------|---------|-------|----|-------|----|---------|----|----|---------|-----|
| 5 | x6 | 1 | Ø8x30 | x30 | 6 | x6 | 3 | Ø6,4x50 | x6 | 26 | x3 | 30 | Ø4.2x32 | x6 | 31 | Ø4.2x19 | x12 |
| | 11002 | | 21008 | | 11016 | | 07650 | | 65788 | | 10432 | | 10419 | | | | |

22

28 $\varnothing 3.5 \times 15$ x12
10315

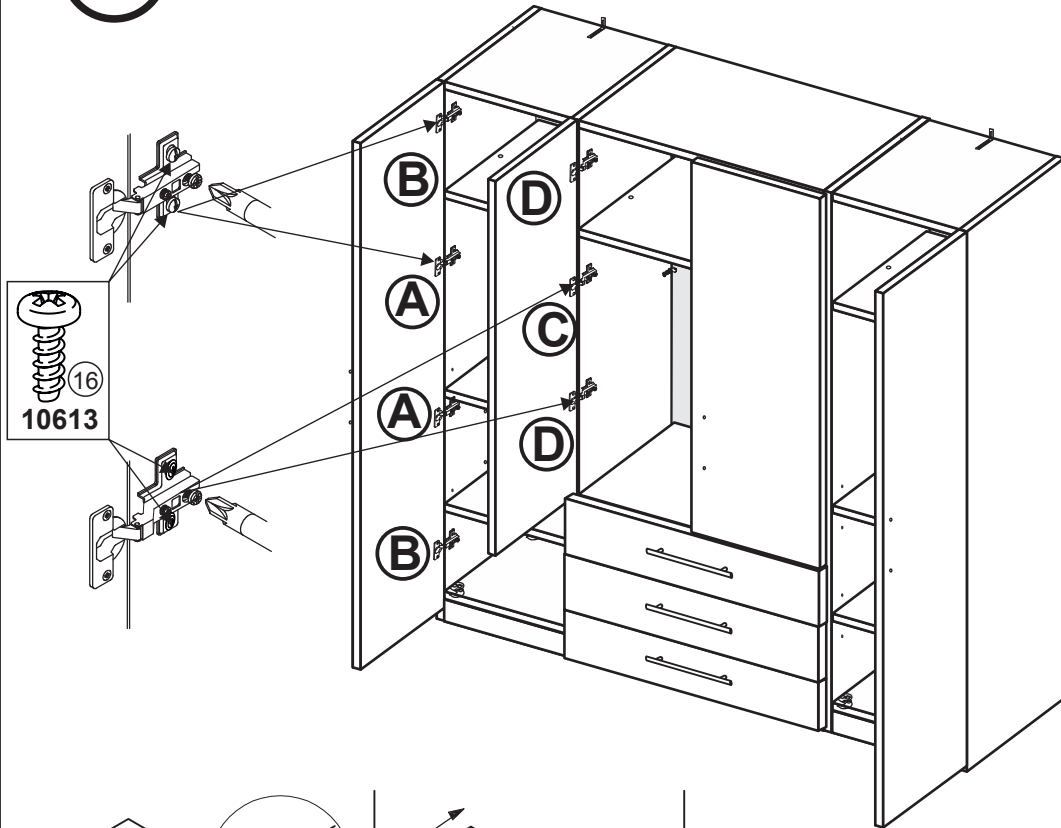


23

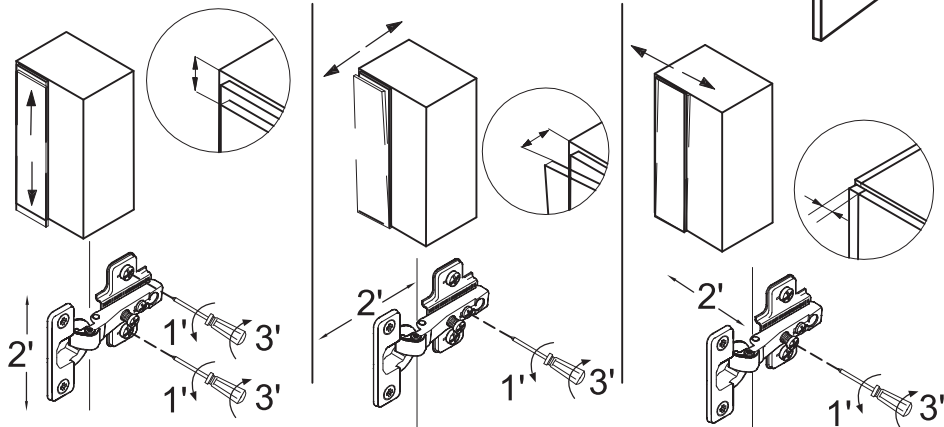


2	$\varnothing 4 \times 16$	x28	12	35mm	x4	13	35mm	x4
			A		91267	B		91259
			C		91283	D		91284

24

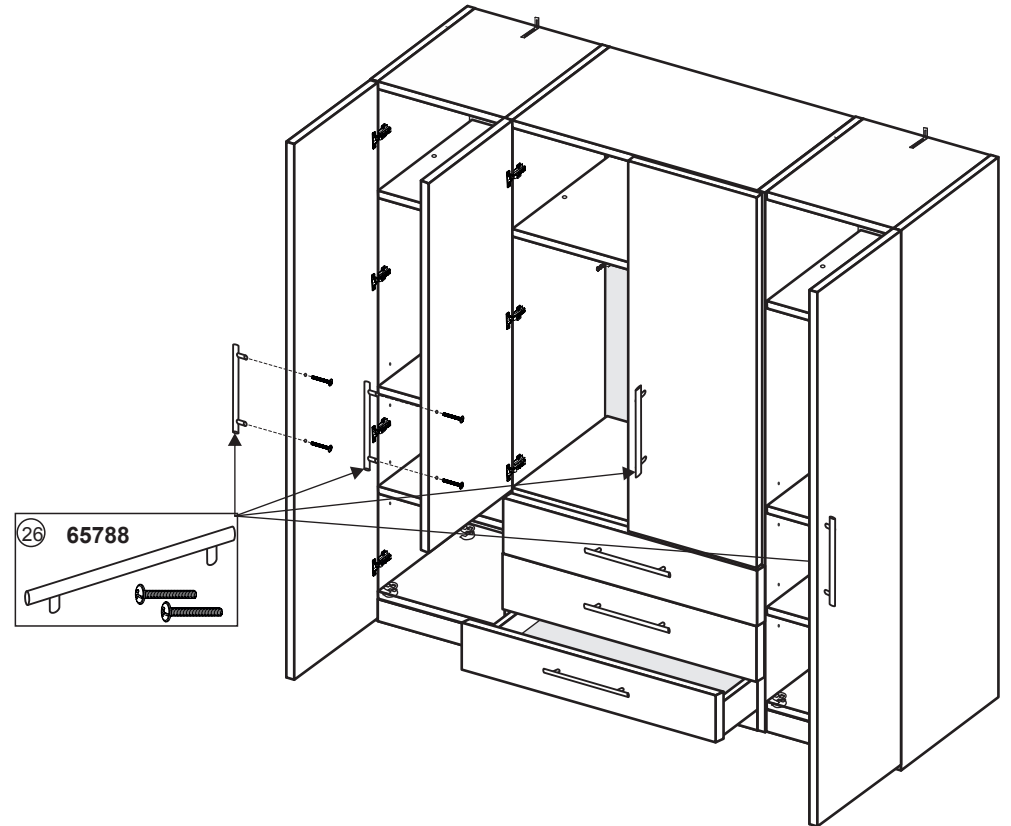
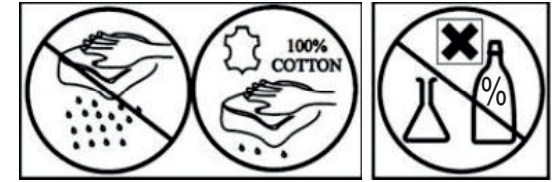


16
10613



16 Ø6.3x13 x28
10613

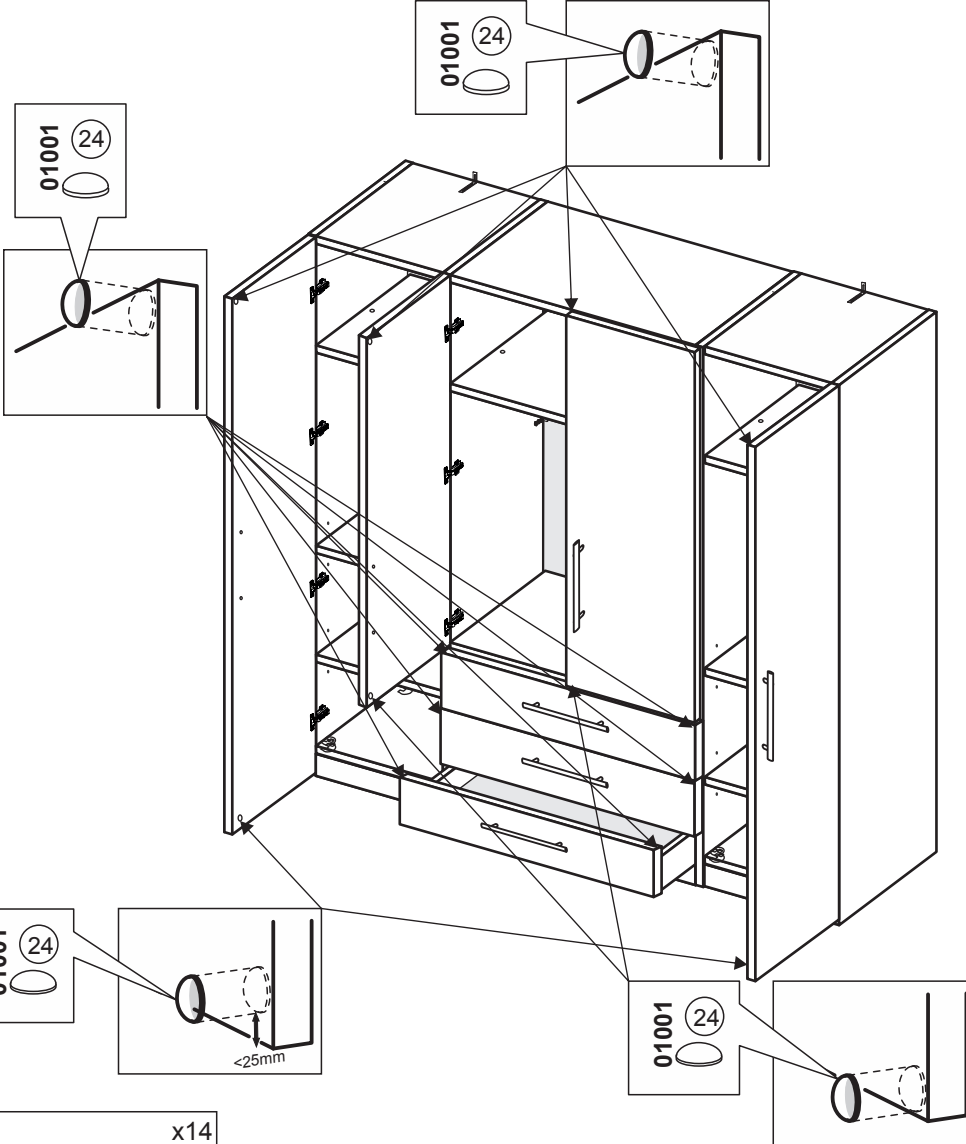
25



26 65788

26 x4
65788

26



(24) x14
01001