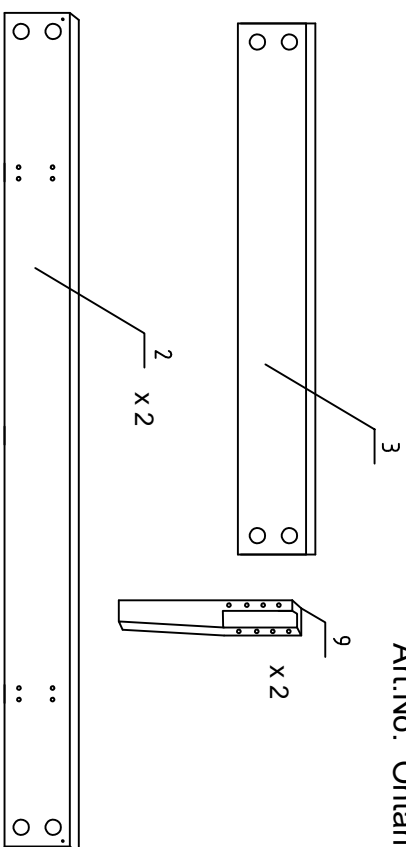
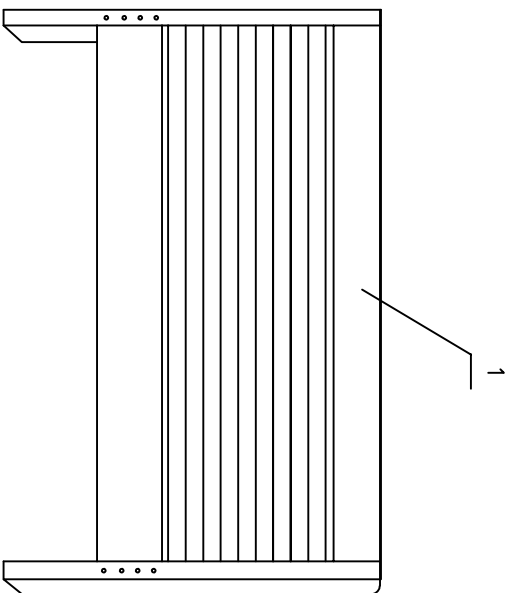


# " ONTARIO " 90cm - 140cm

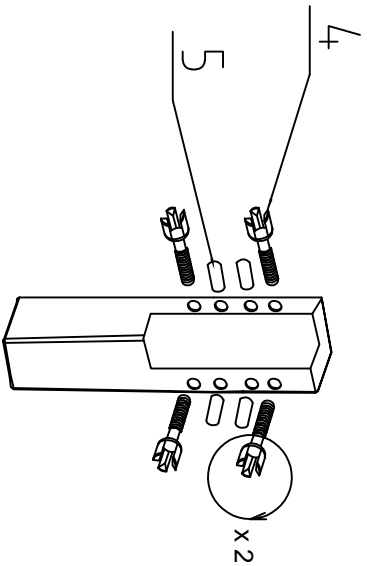
Art.No. Ontario 90 - 08440006/01  
 Art.No. Ontario 120 - 08440006/07  
 Art.No. Ontario 140 - 08440006/02

20min

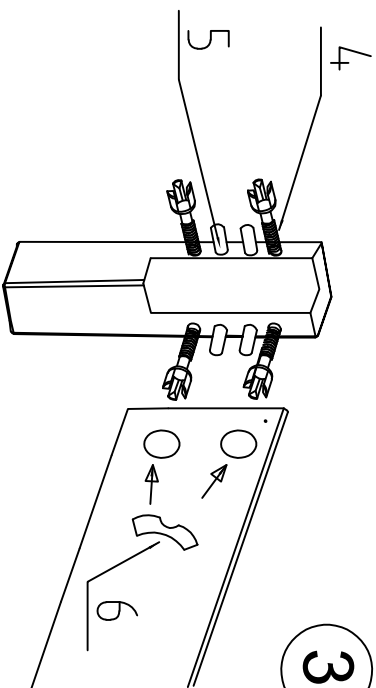


|      |          |      |          |      |        |
|------|----------|------|----------|------|--------|
| X 12 | (4)      | X 12 | (5)      | X 16 | (7)    |
|      | M 8x50mm |      | ∅10x60mm |      | 4x18mm |
| X 4  | (8)      | X 12 | (6)      |      |        |
|      |          |      |          |      |        |

1



3



2

