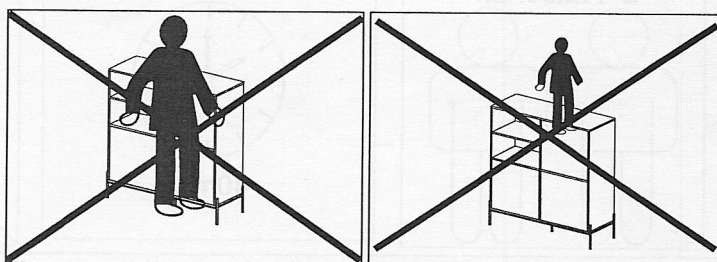
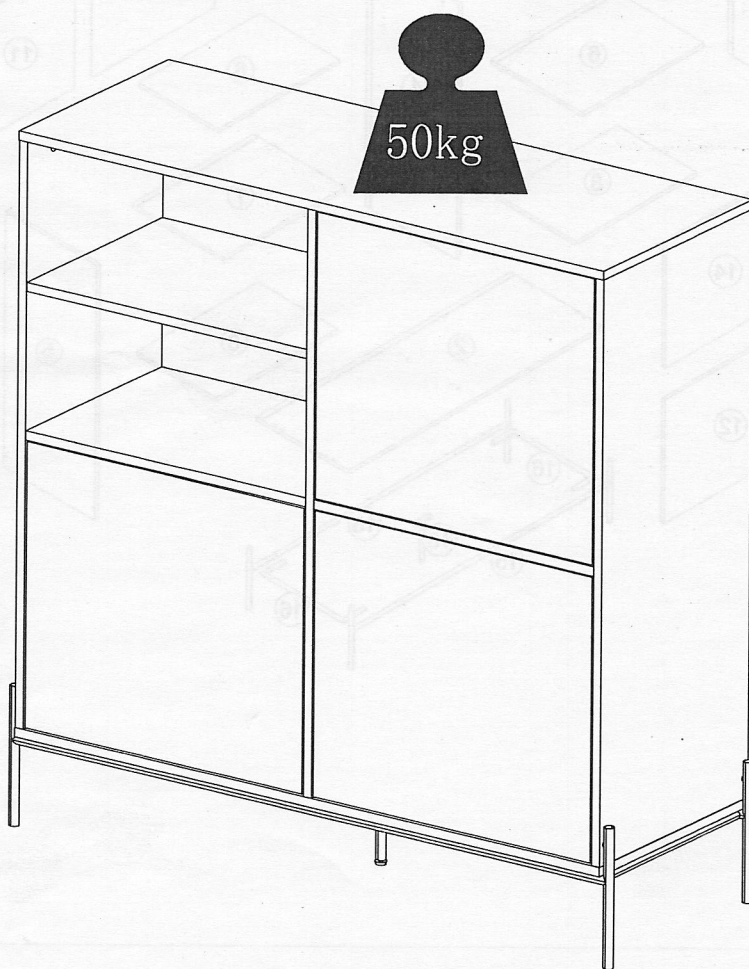
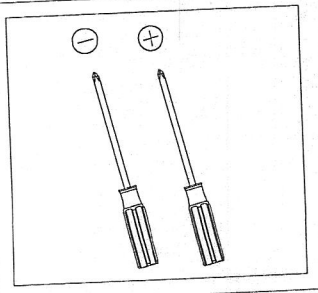
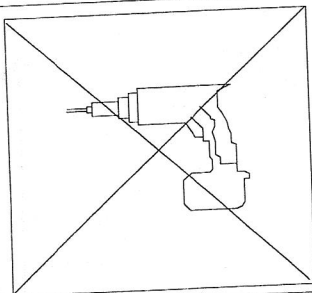
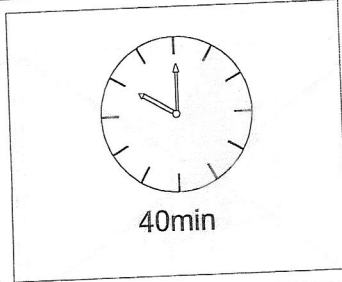
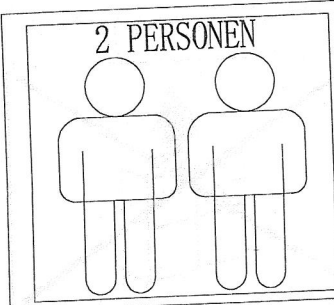
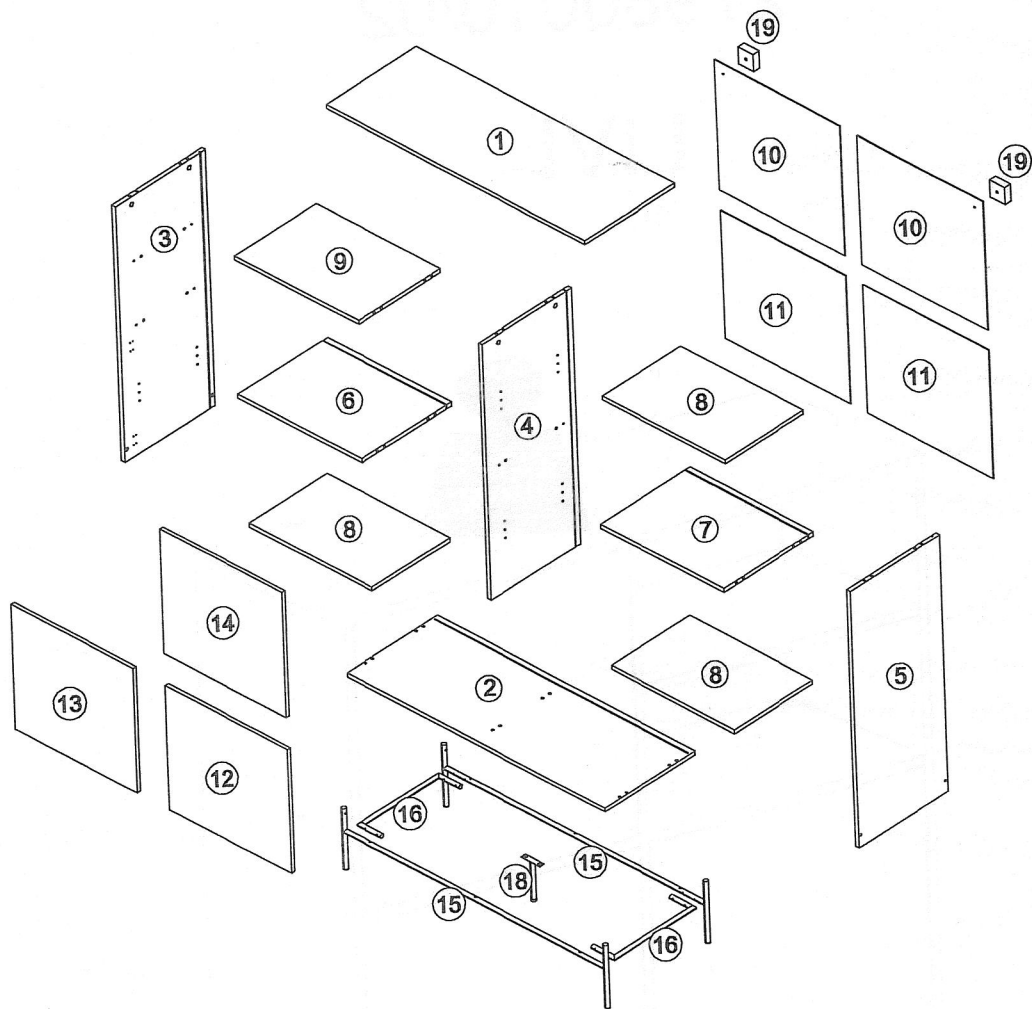


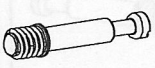

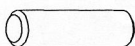




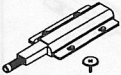
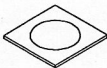
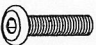
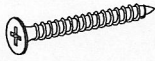





Assemble instruction

27980010/02

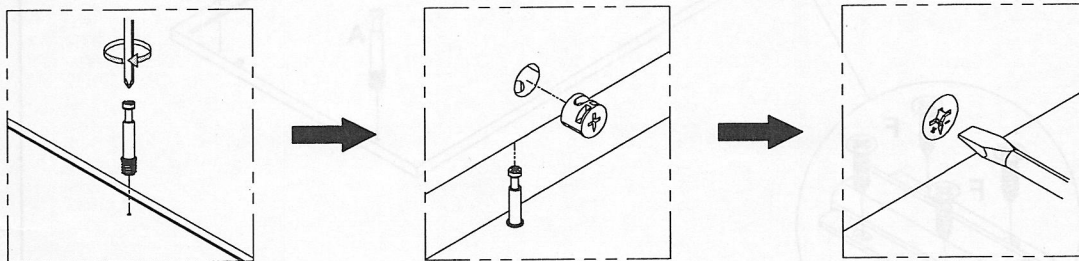
LIVI



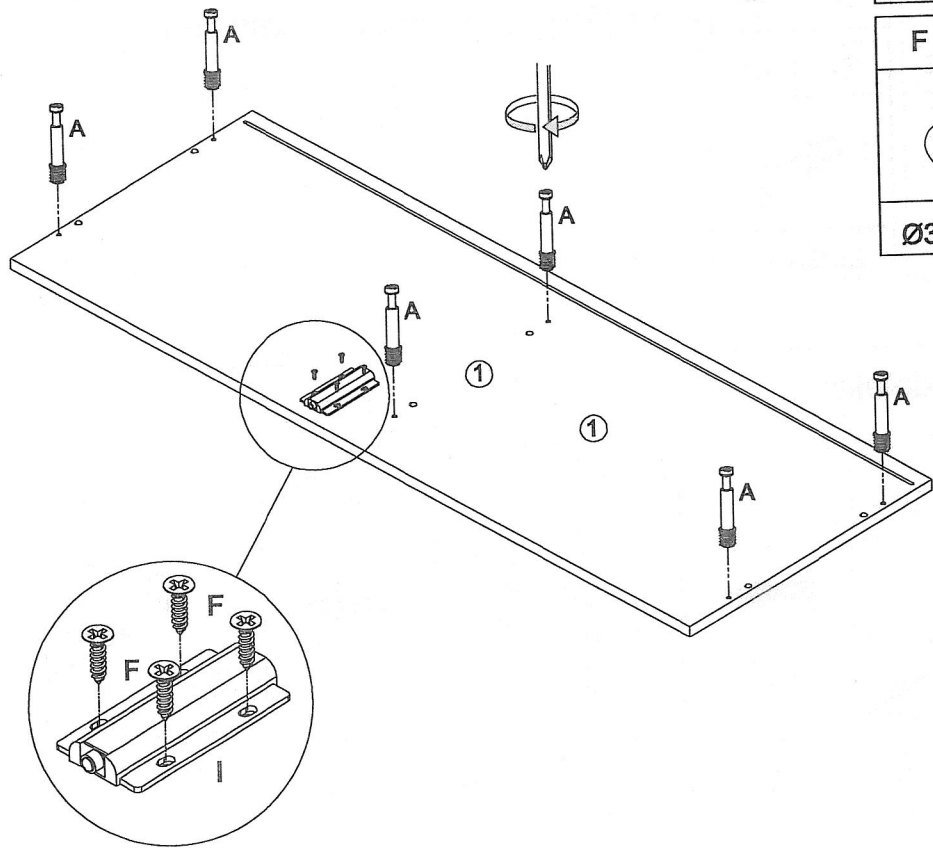


A	x18	B	x18	C	x24	E	x16	F	x63	G	x6	H	x1
													
M6*35mm		Ø15mm		Ø8*30mm				Ø3.5*14mm		#7*40mm		M4	
I	x3	J	x6	K	x12	L	x6	M	x2	N	x6	O	x2
													
				M6*25mm		#4*28mm		M6*12mm				#4*60mm	
P	x12	Q	x2										
													
Ø5*15mm		Ø6*30mm											

Assembly details

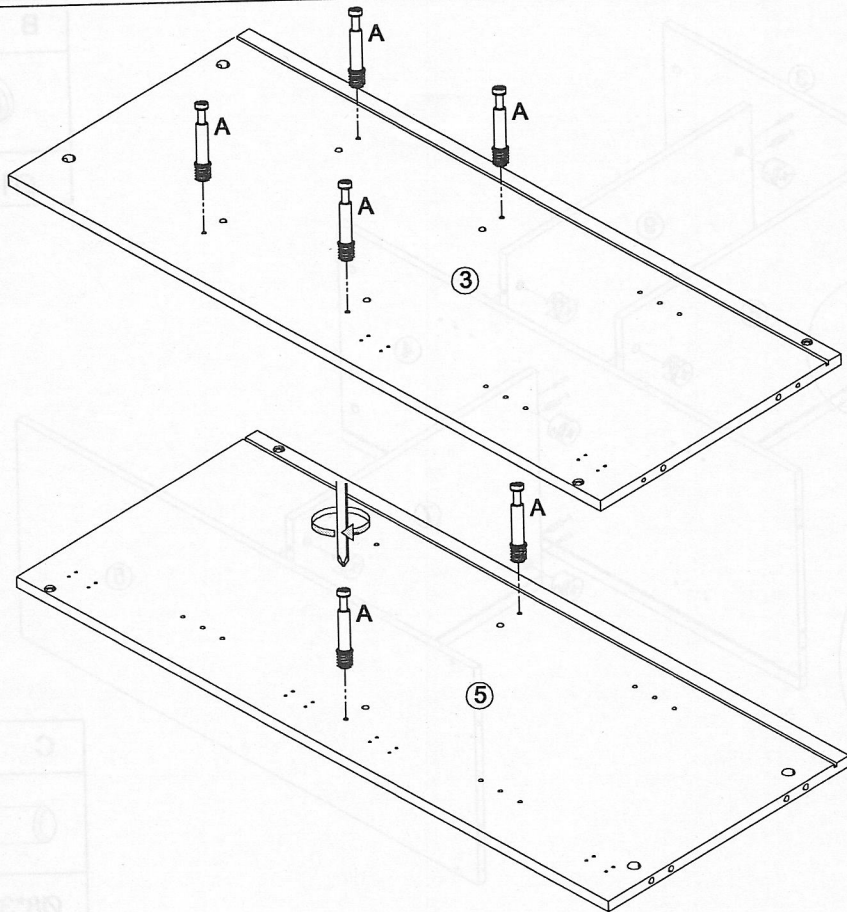


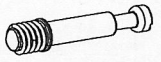
1



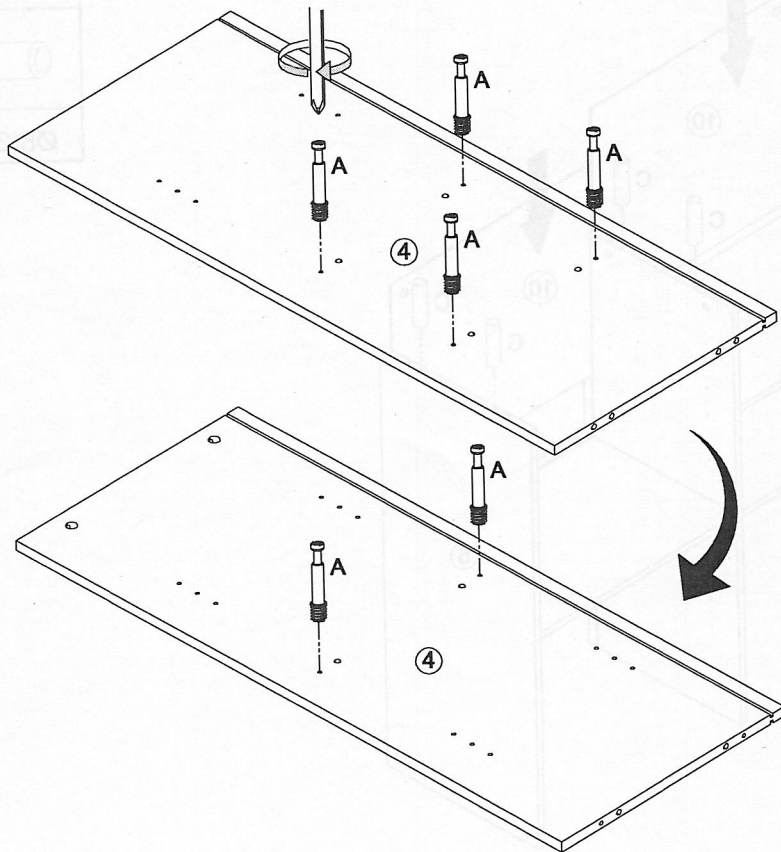
A	x6
M6*35mm	
I	x1
F	x4
Ø3.5*14mm	

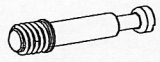
2



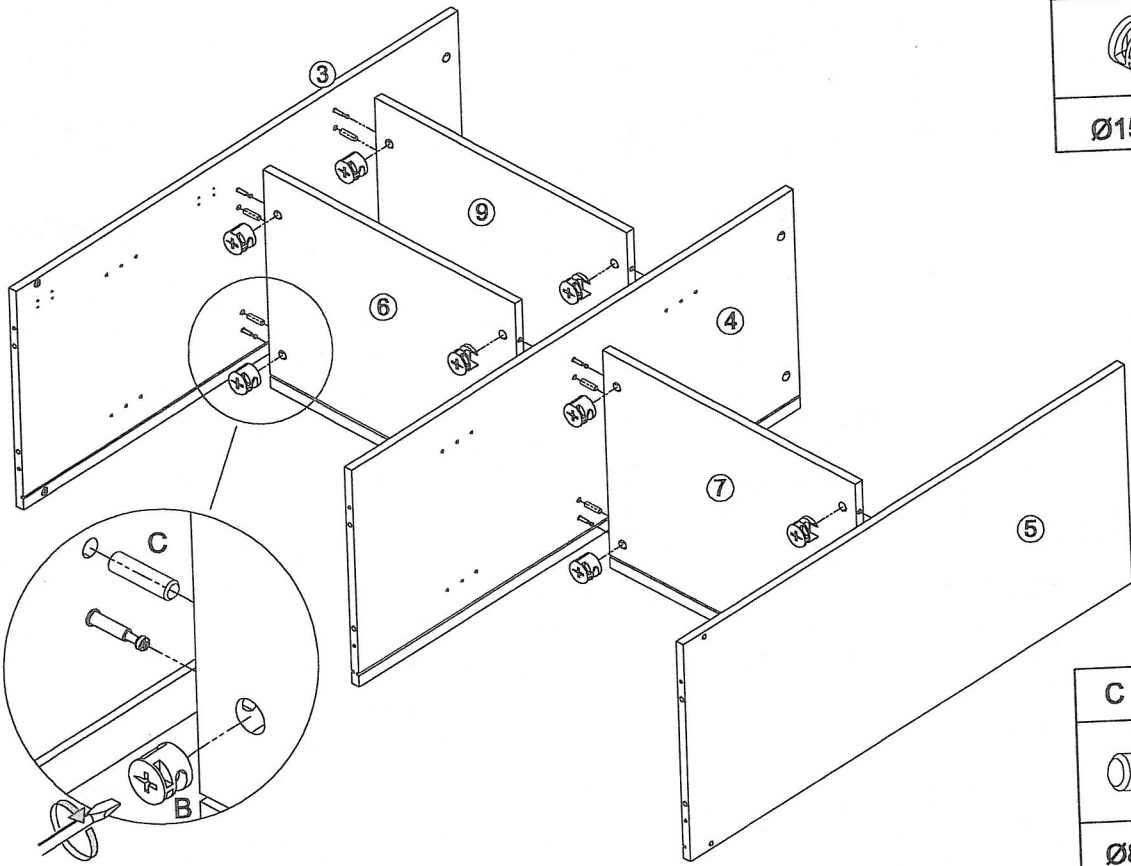
A	x6
	
M6*35mm	

3



A	x6
	
M6*35mm	

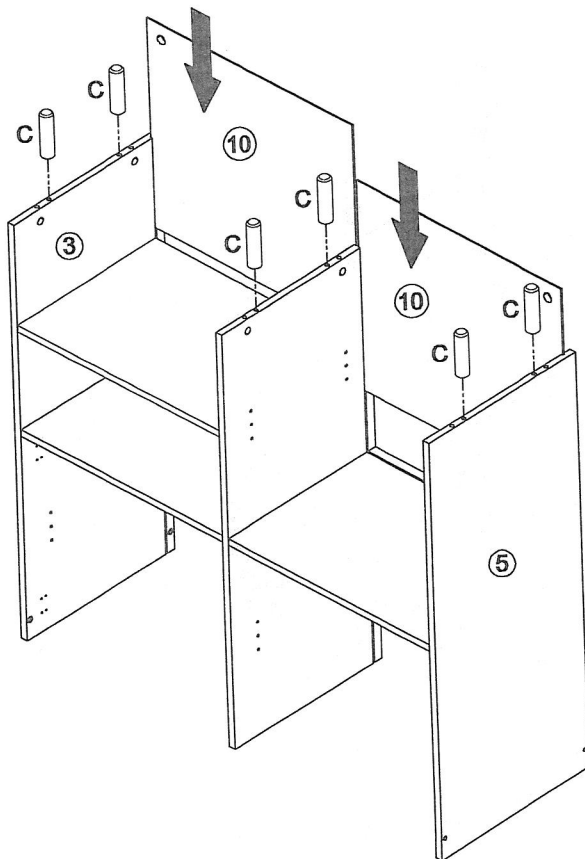
4



B	x12
Ø15mm	

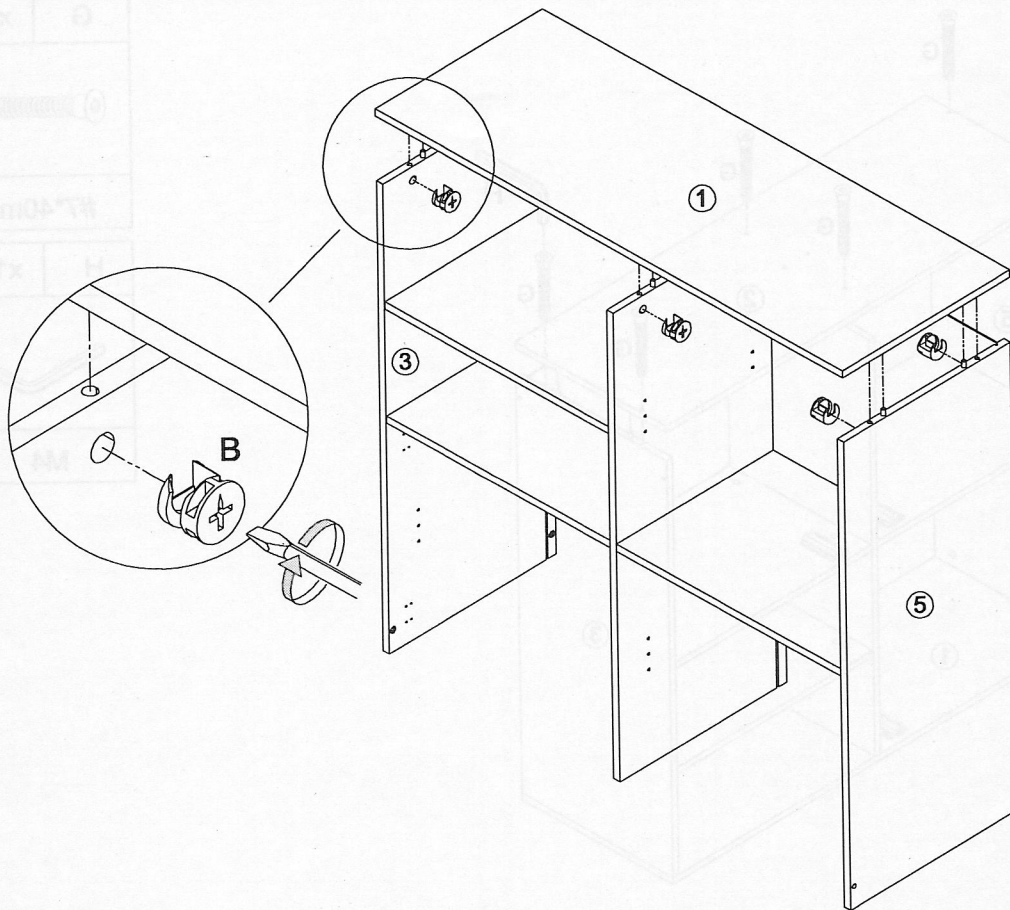
C	x12
Ø8*30mm	


5



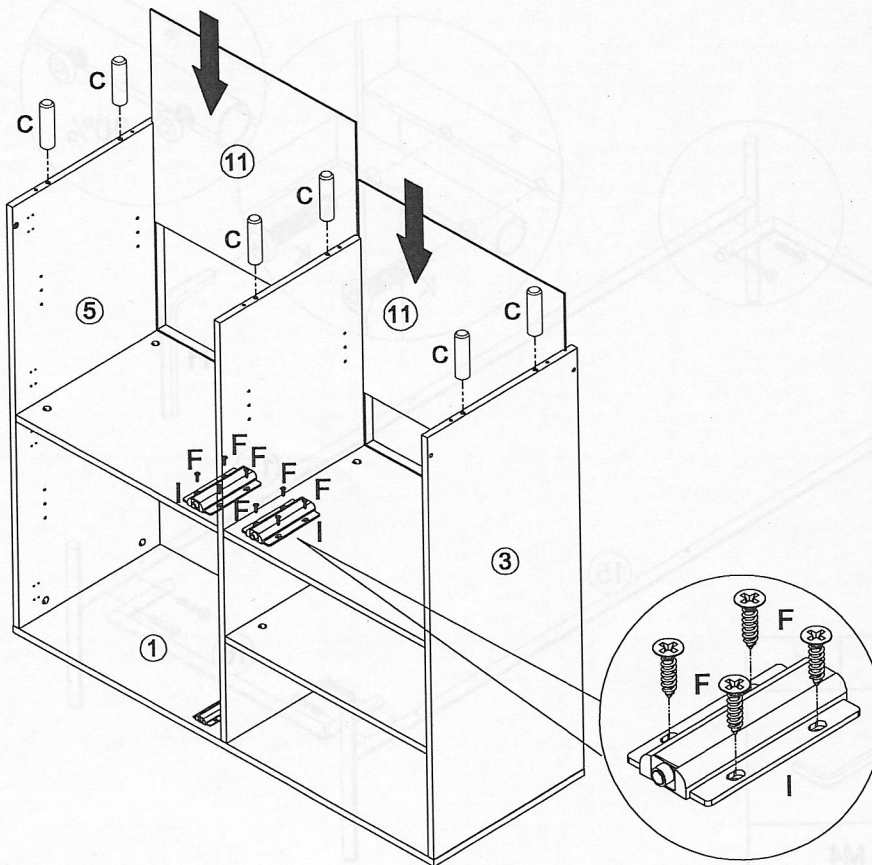
C	x6
Ø8*30mm	

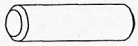
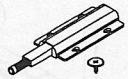

6



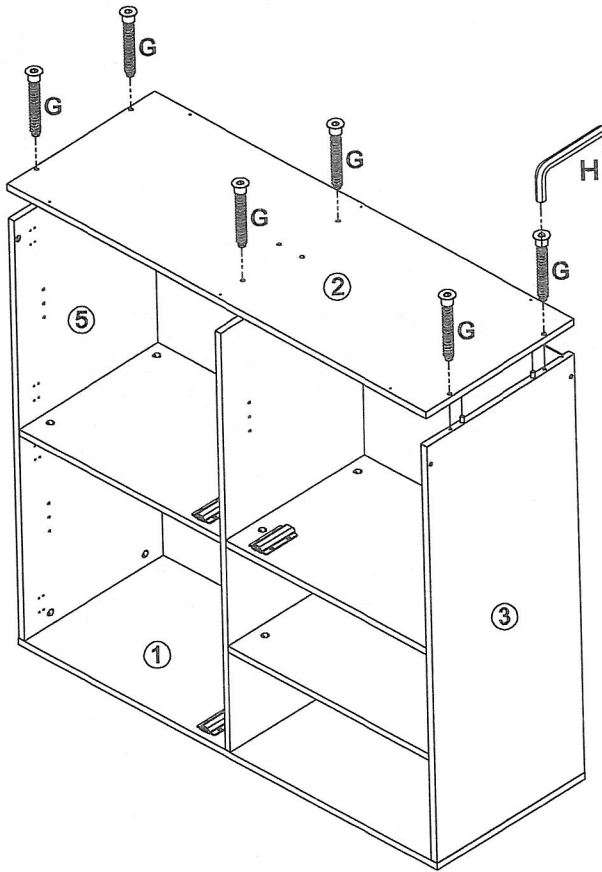
B	x6
	
$\text{Ø}15\text{mm}$	



7



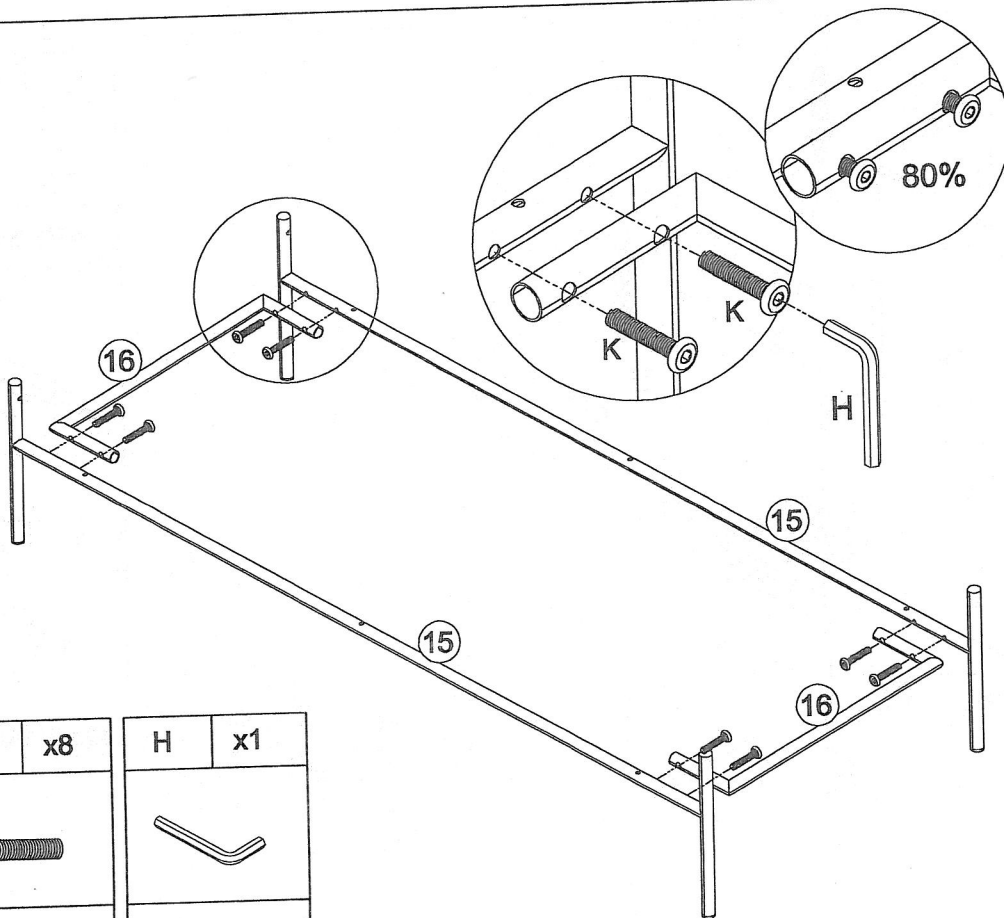
C	x6
	
$\text{Ø}8*30\text{mm}$	
I	x2
	
F	x8
	
$\text{Ø}3.5*14\text{mm}$	

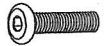

8



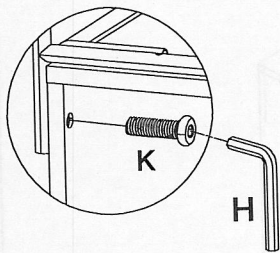
G	x6
	
#7*40mm	
H	x1
	
M4	

9



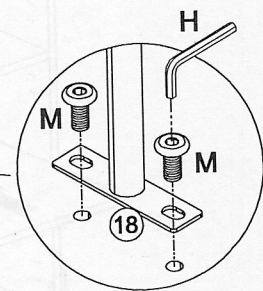
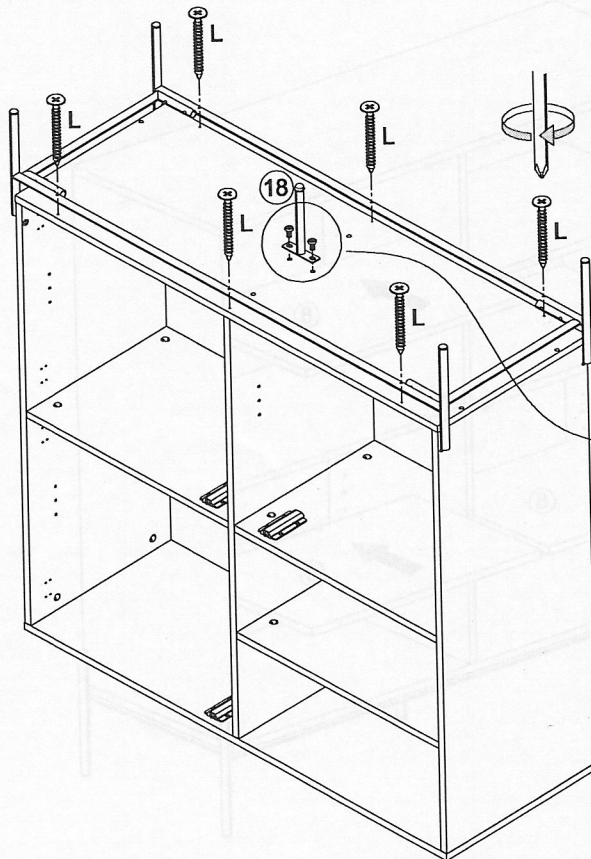
K	x8	H	x1
			
M6*25mm		M4	

10



H	x1
M4	
K	x4
M6*25mm	

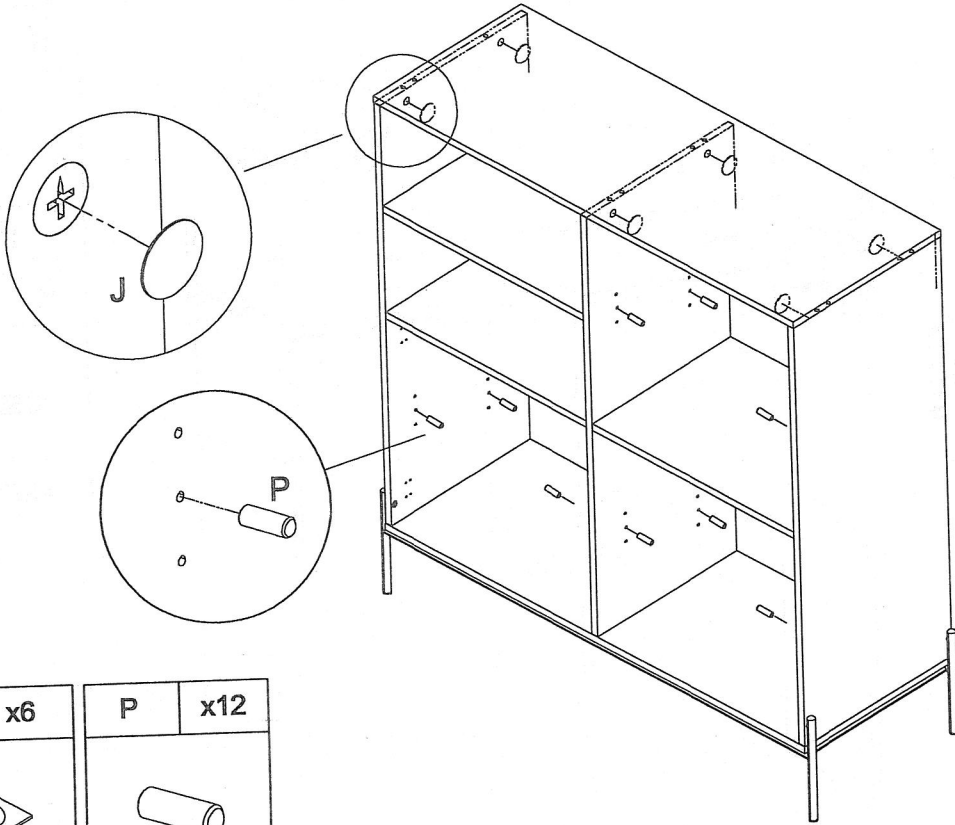
11





H	x1
M4	
M	x2
M6*12mm	

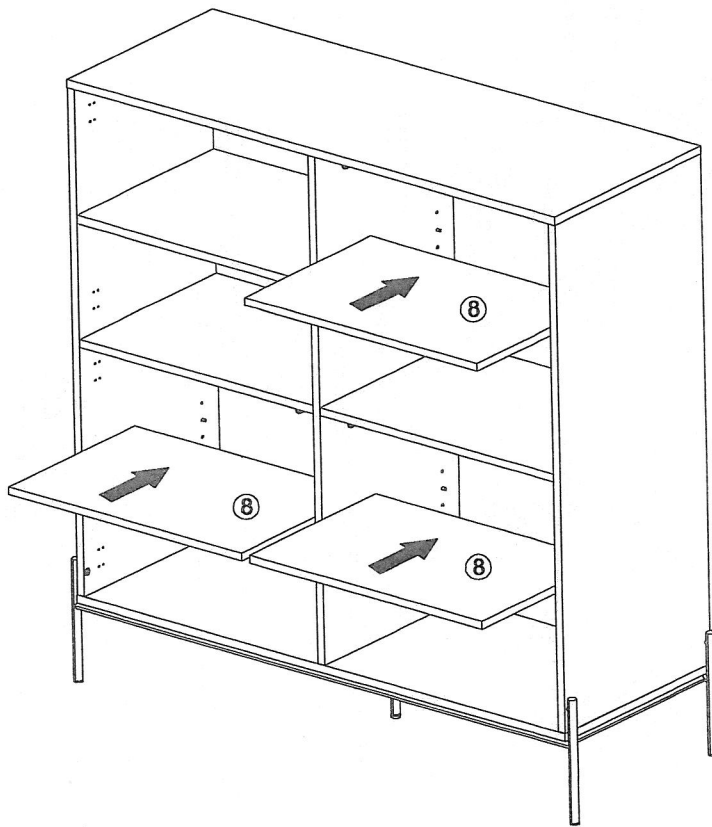
L	x6
#4*28mm	

12

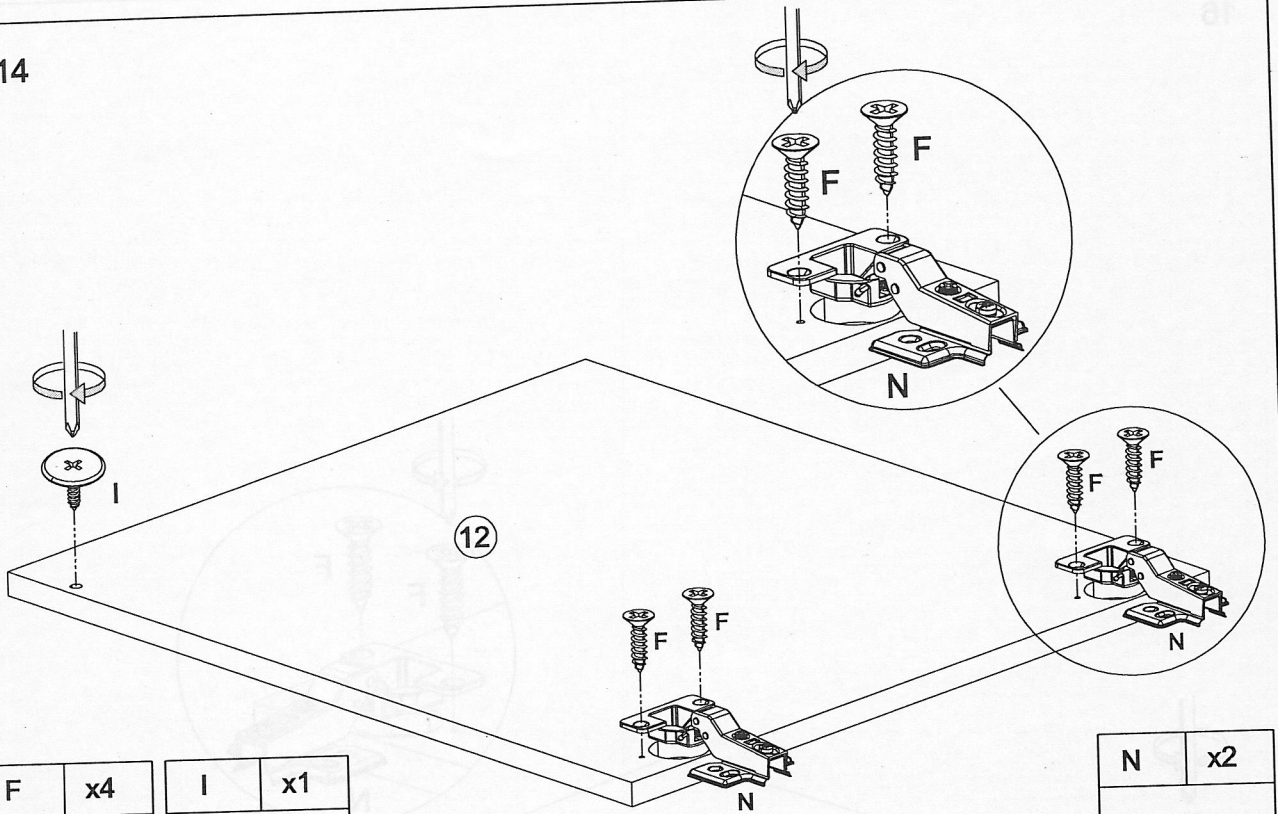




J	x6	P	x12
			
		Ø5*15mm	


13



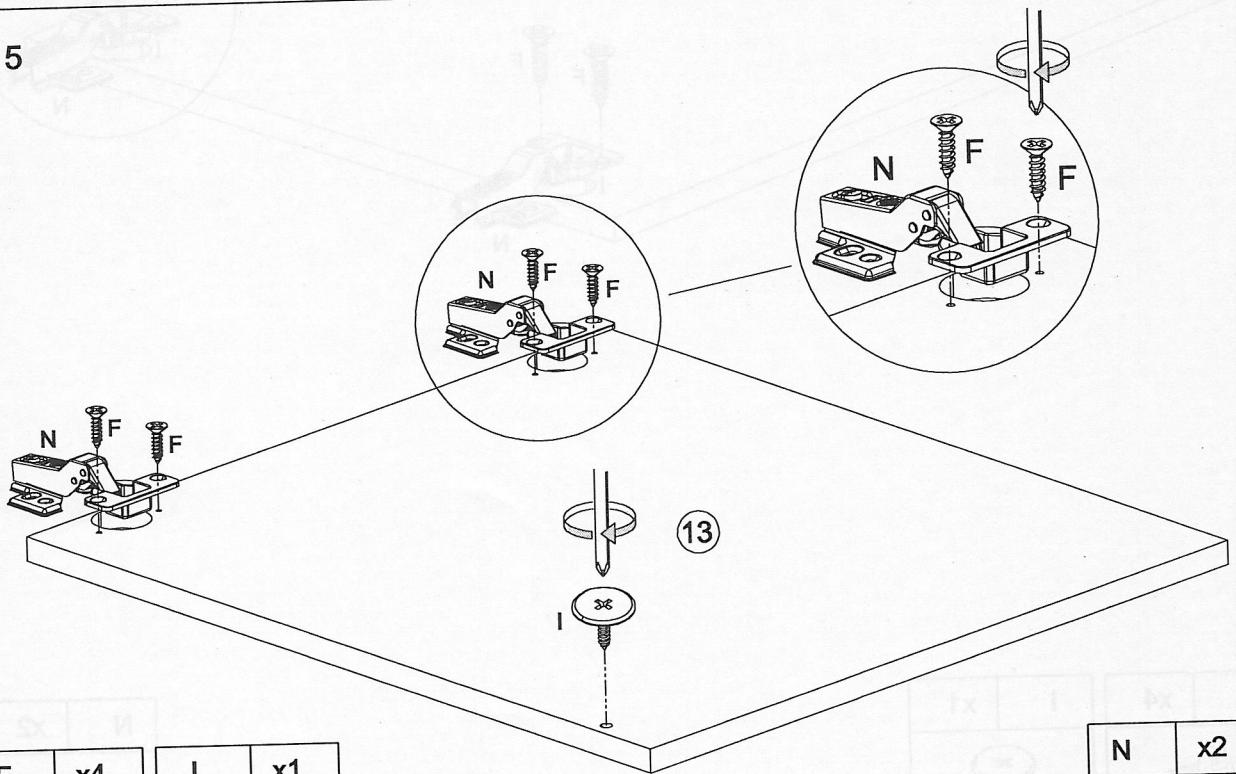
14






F	x4	I	x1
			
Ø3.5*14mm			

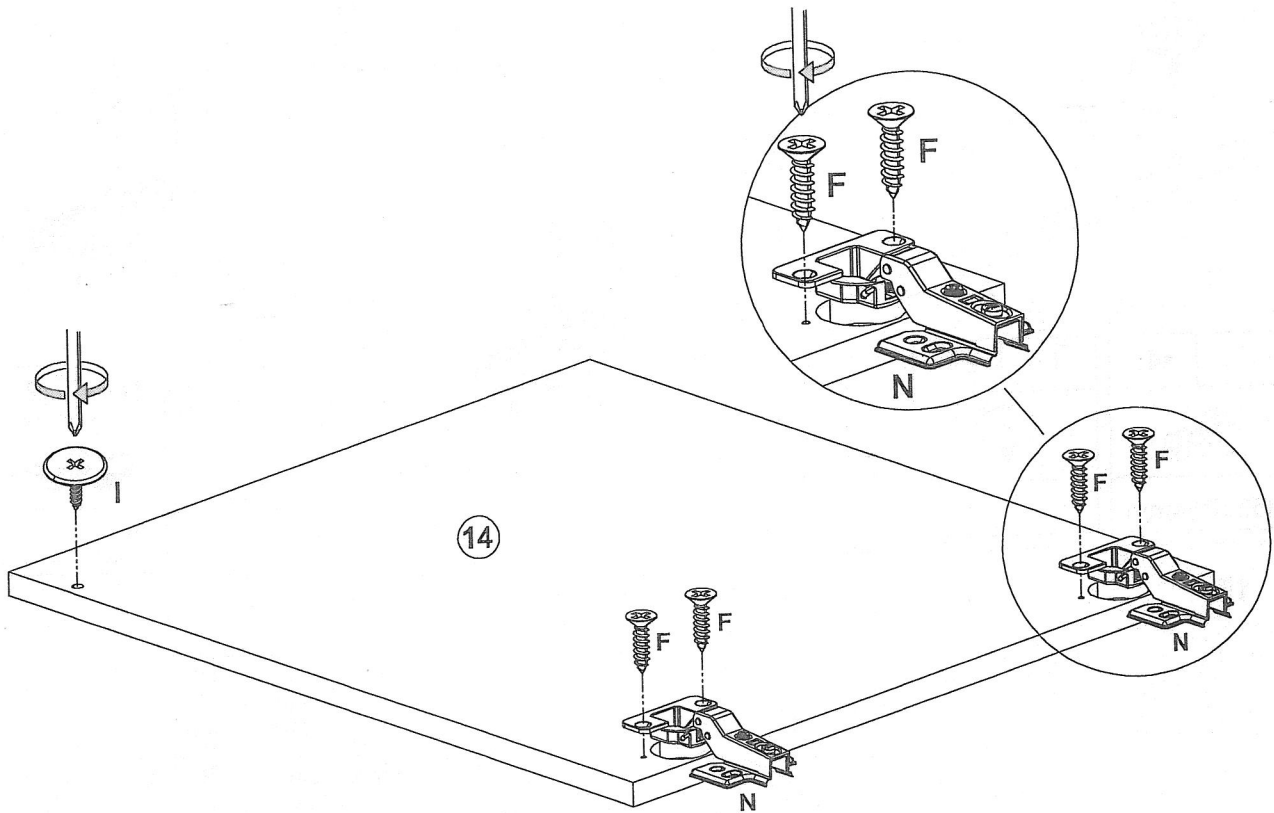
N	x2
	



15




F	x4	I	x1
			
Ø3.5*14mm			

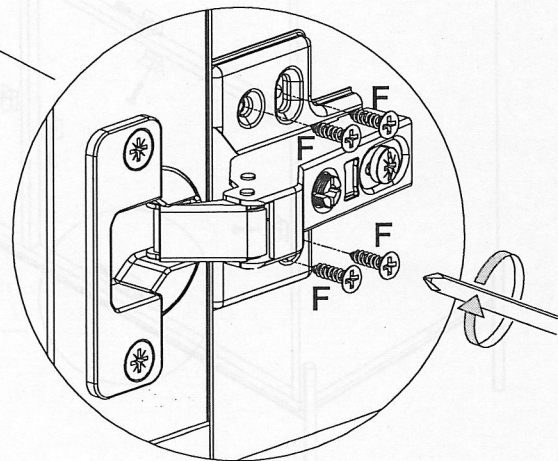
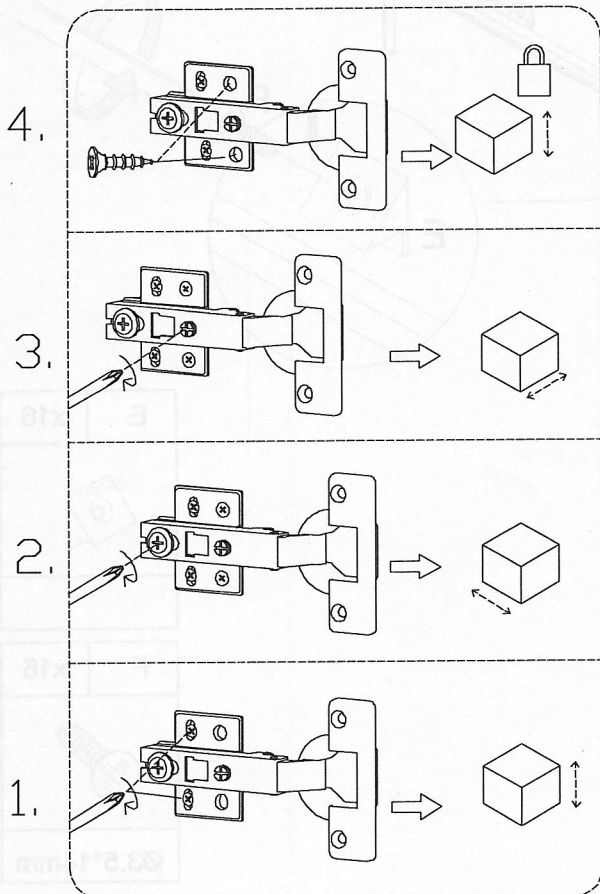
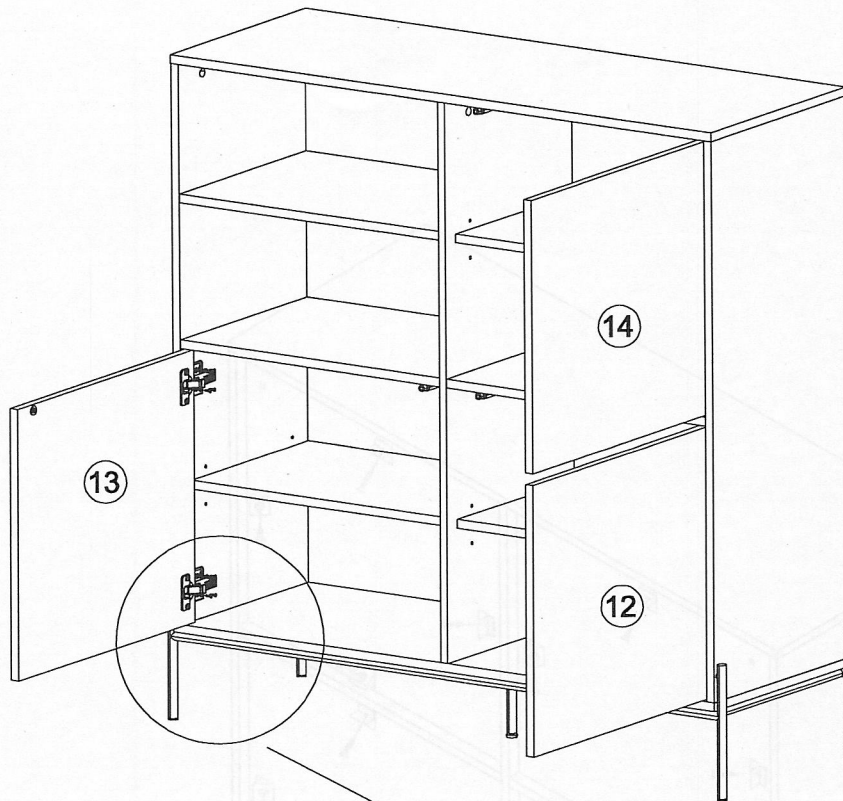
N	x2
	




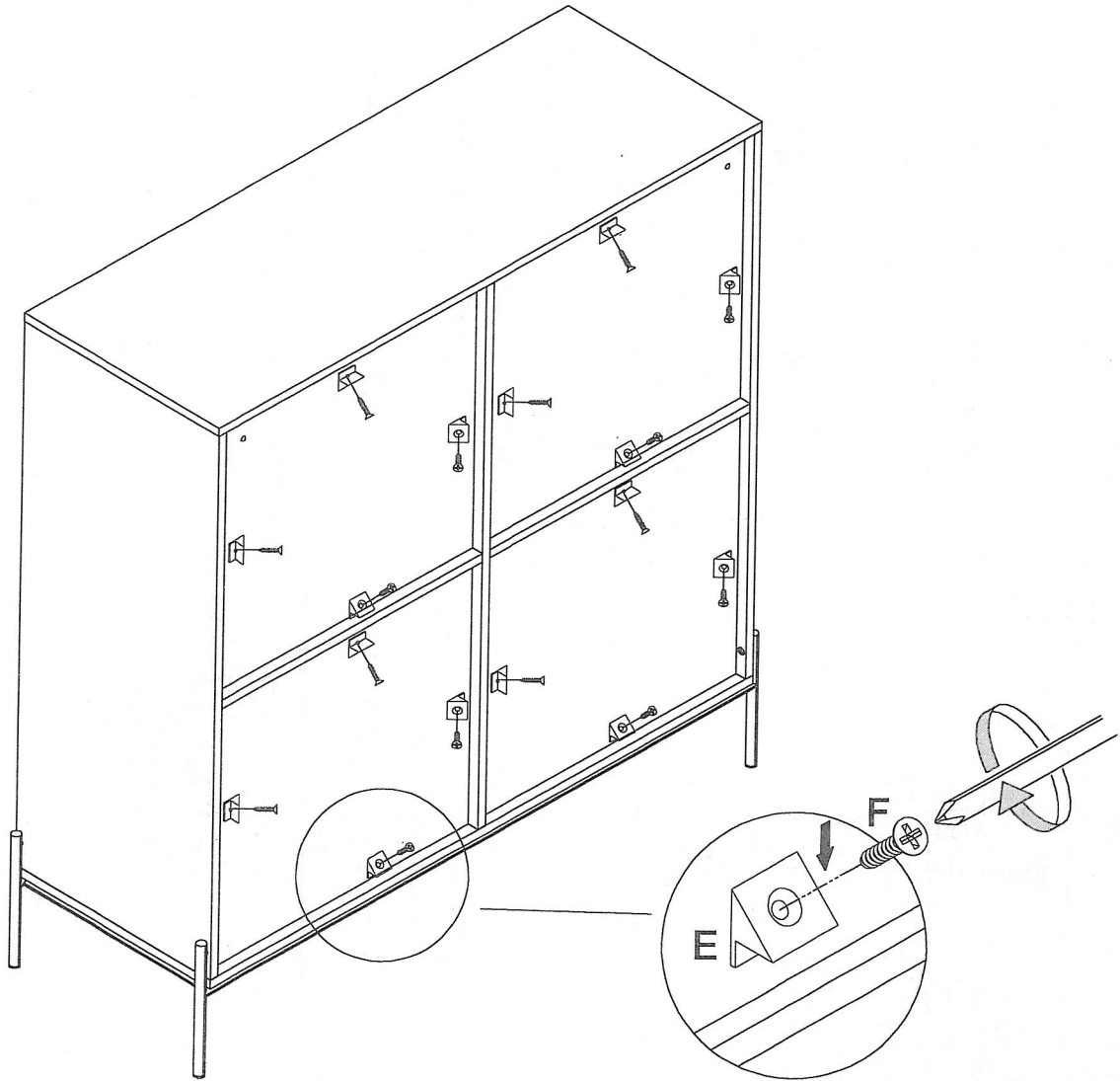
F	x4	I	x1
			
Ø3.5*14mm			

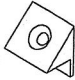

N	x2
	

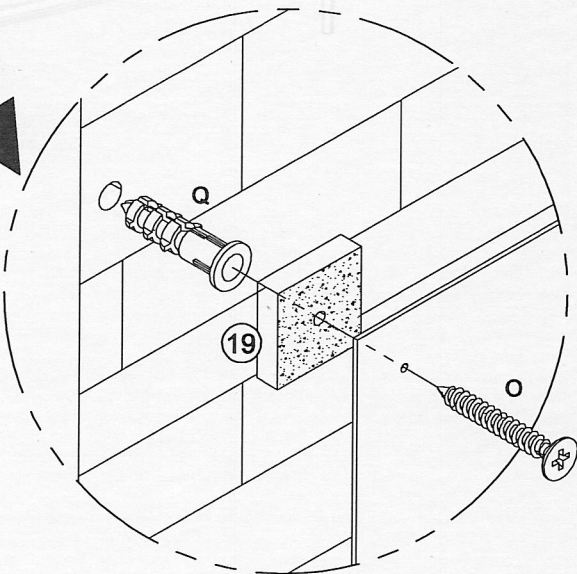
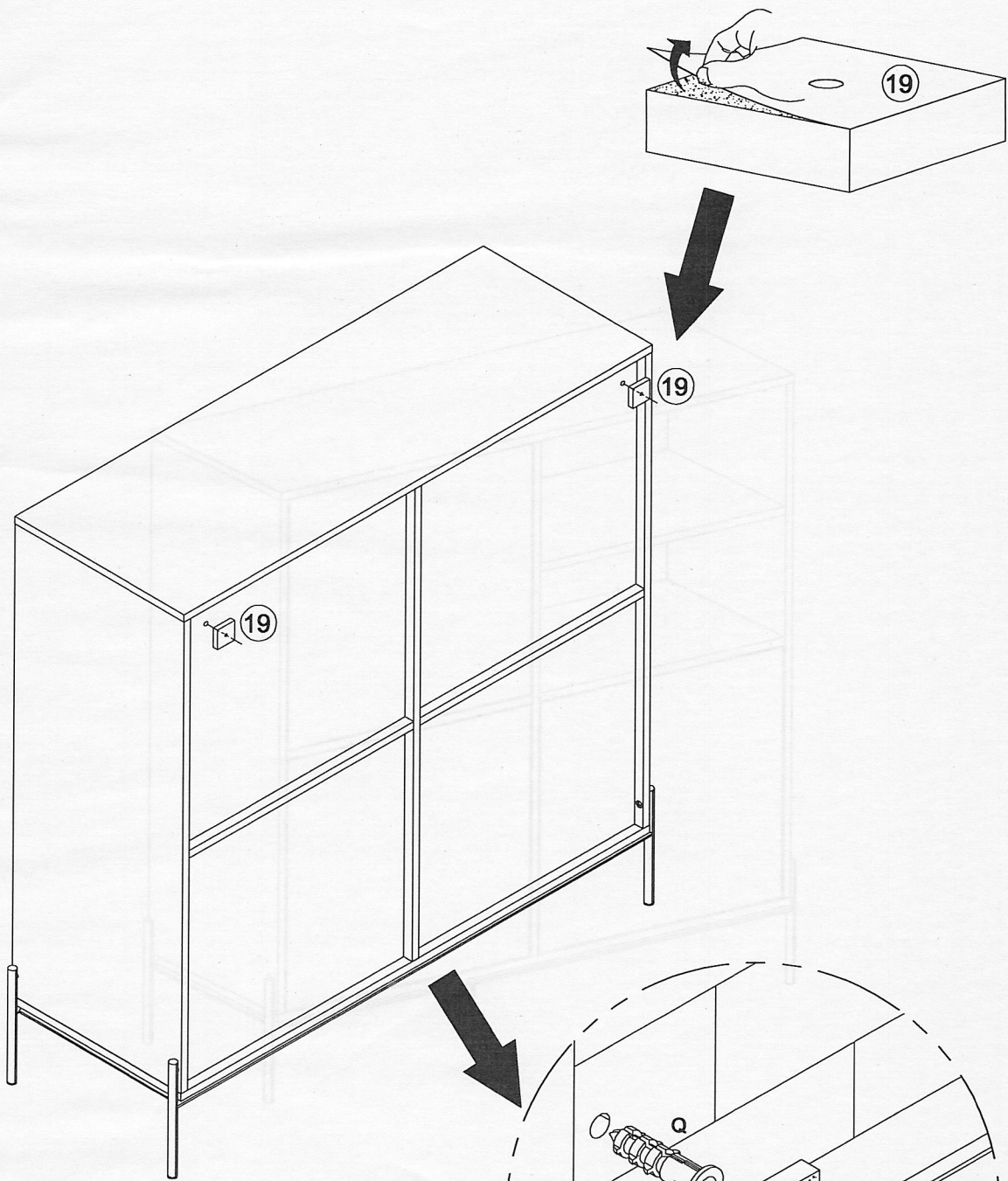
17


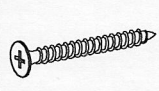


F	x24
	
Ø3.5*14mm	



E	x16
	
F	x16
	
Ø3.5*14mm	



Q	x2	O	x2
			
Ø6*30mm		#4*60mm	

