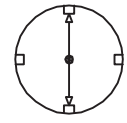
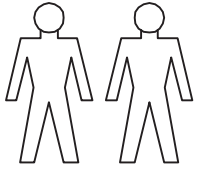
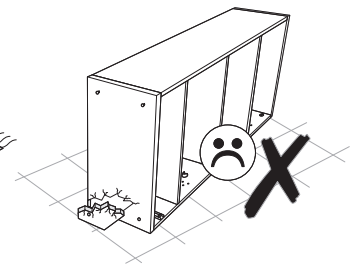
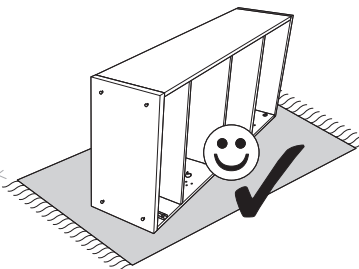
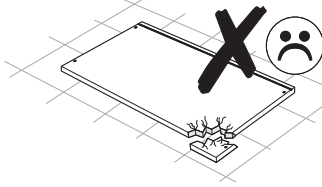
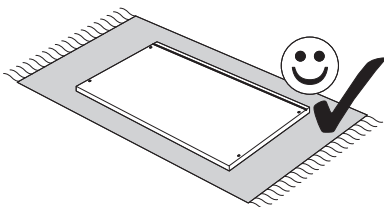
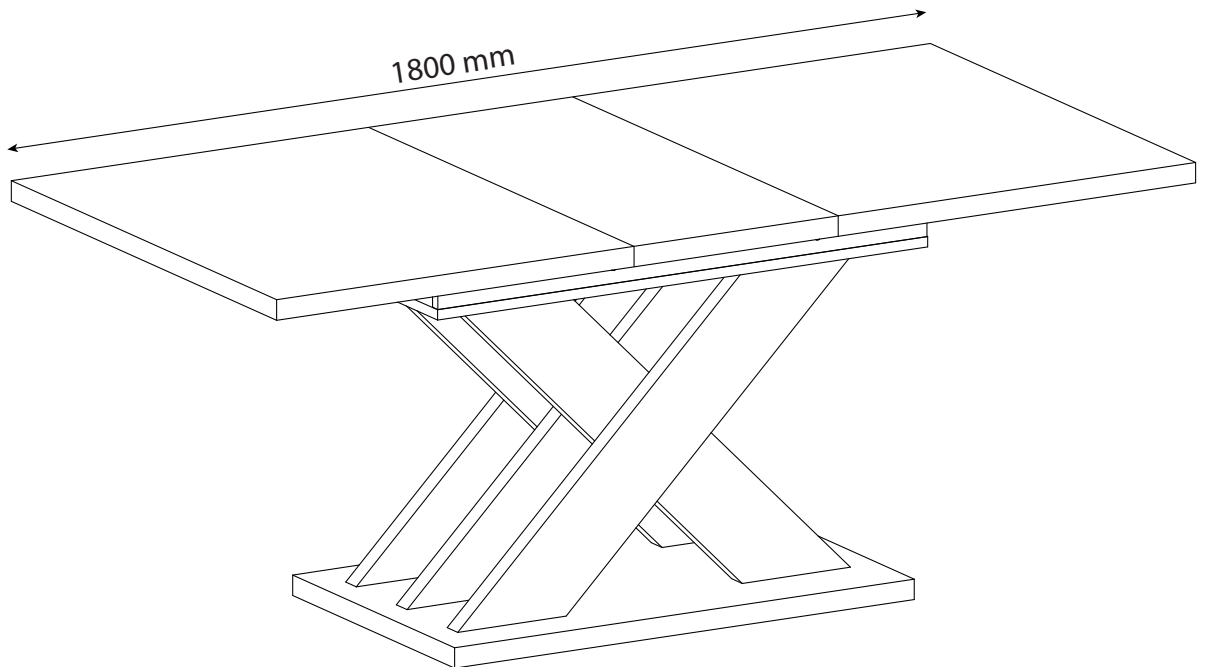
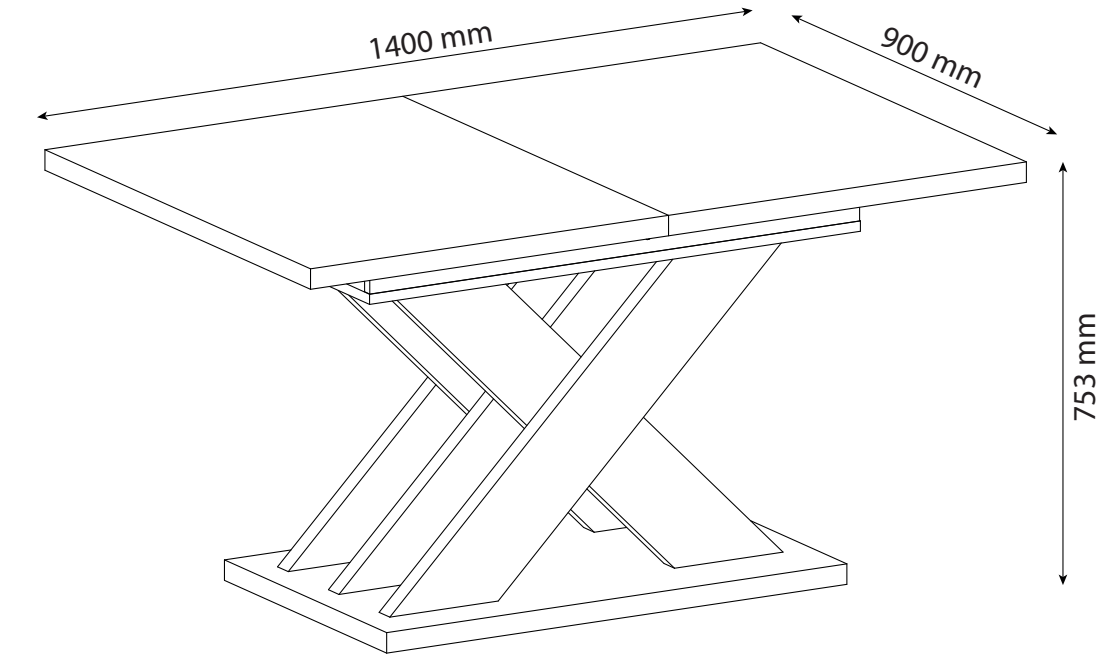
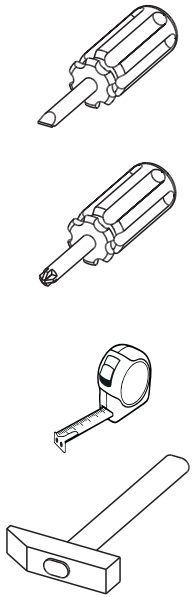




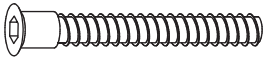
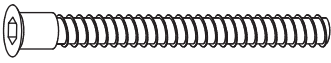
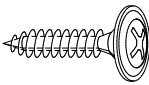


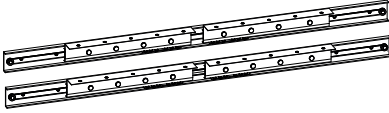
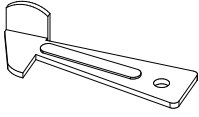
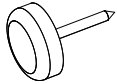

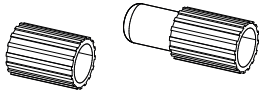
# NOLA Dinning table

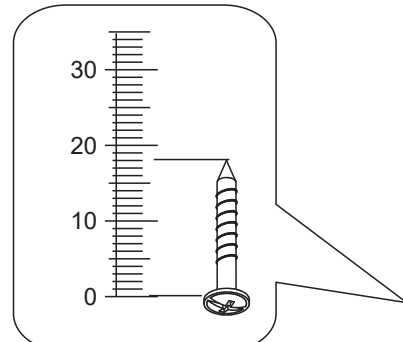
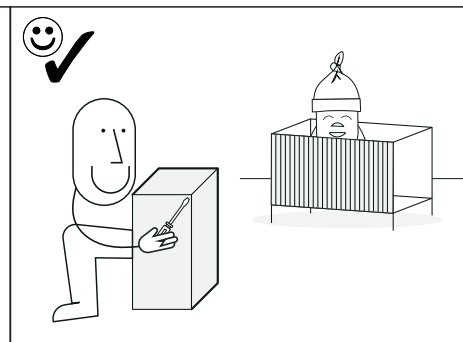
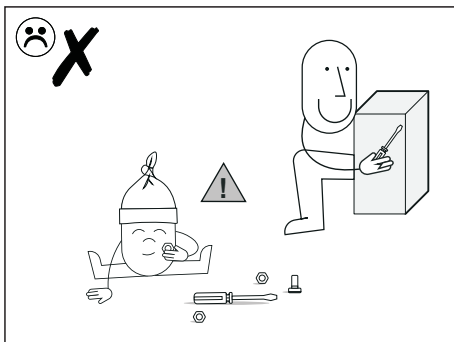
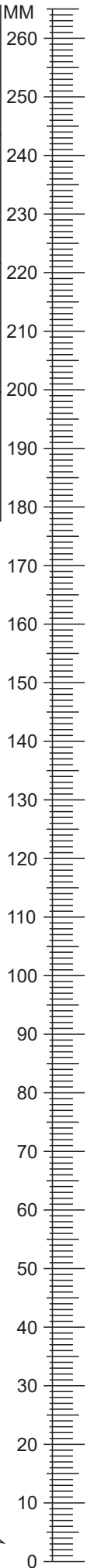
23300111/01




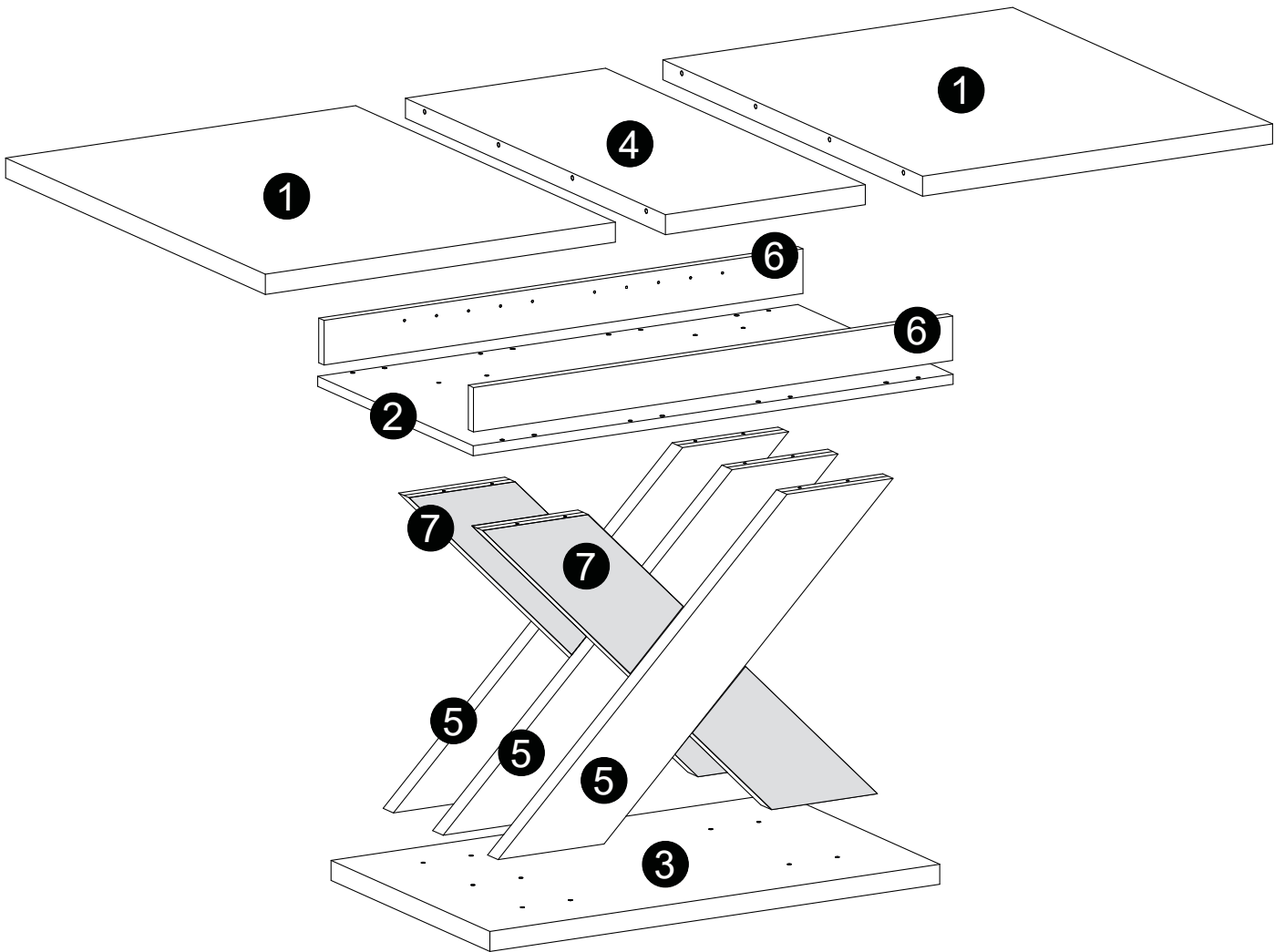
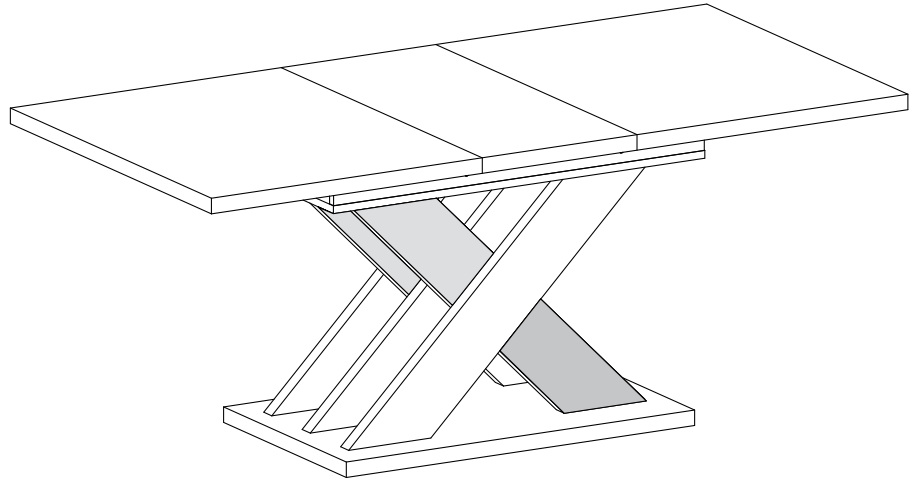
**40**  
MIN

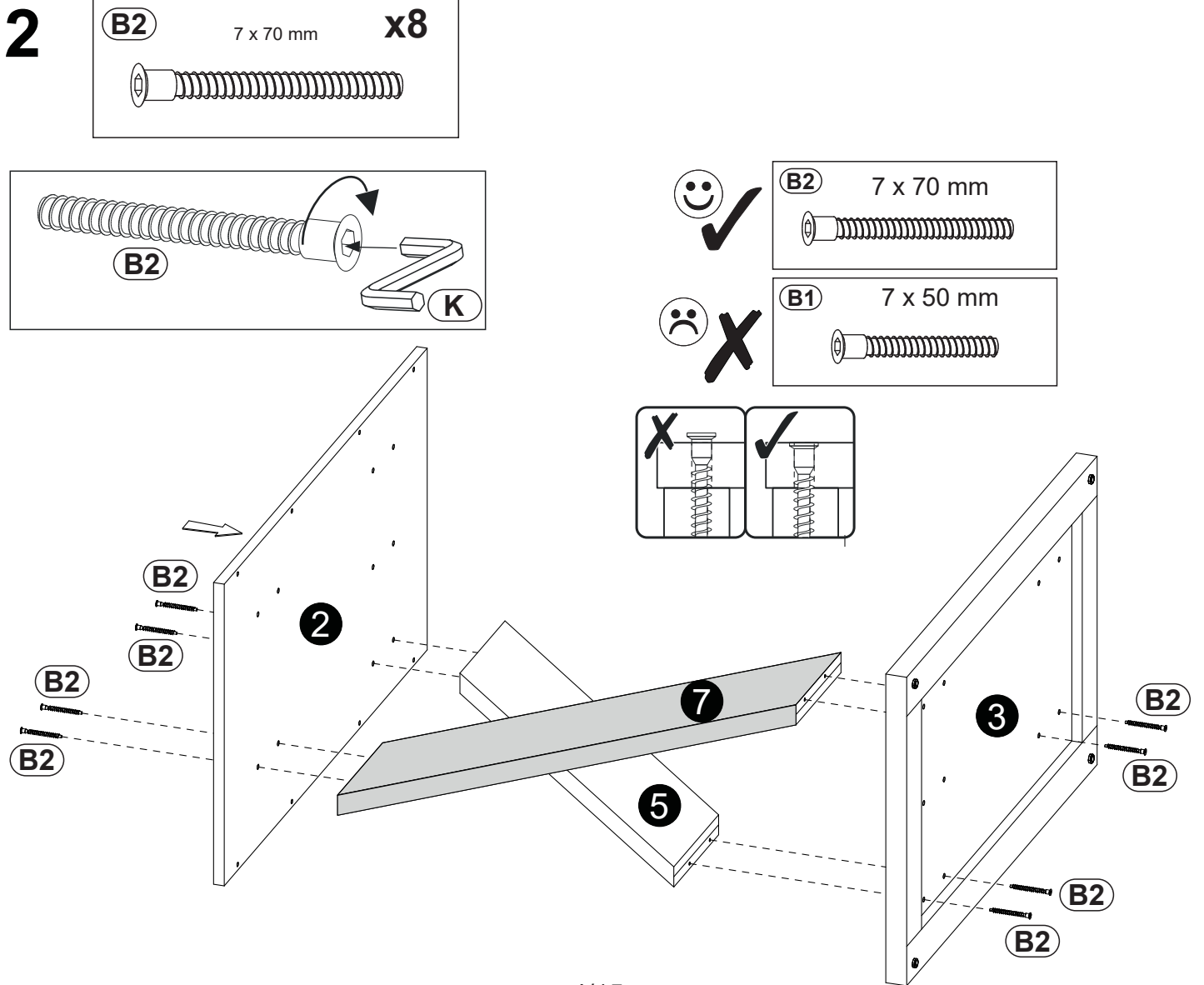
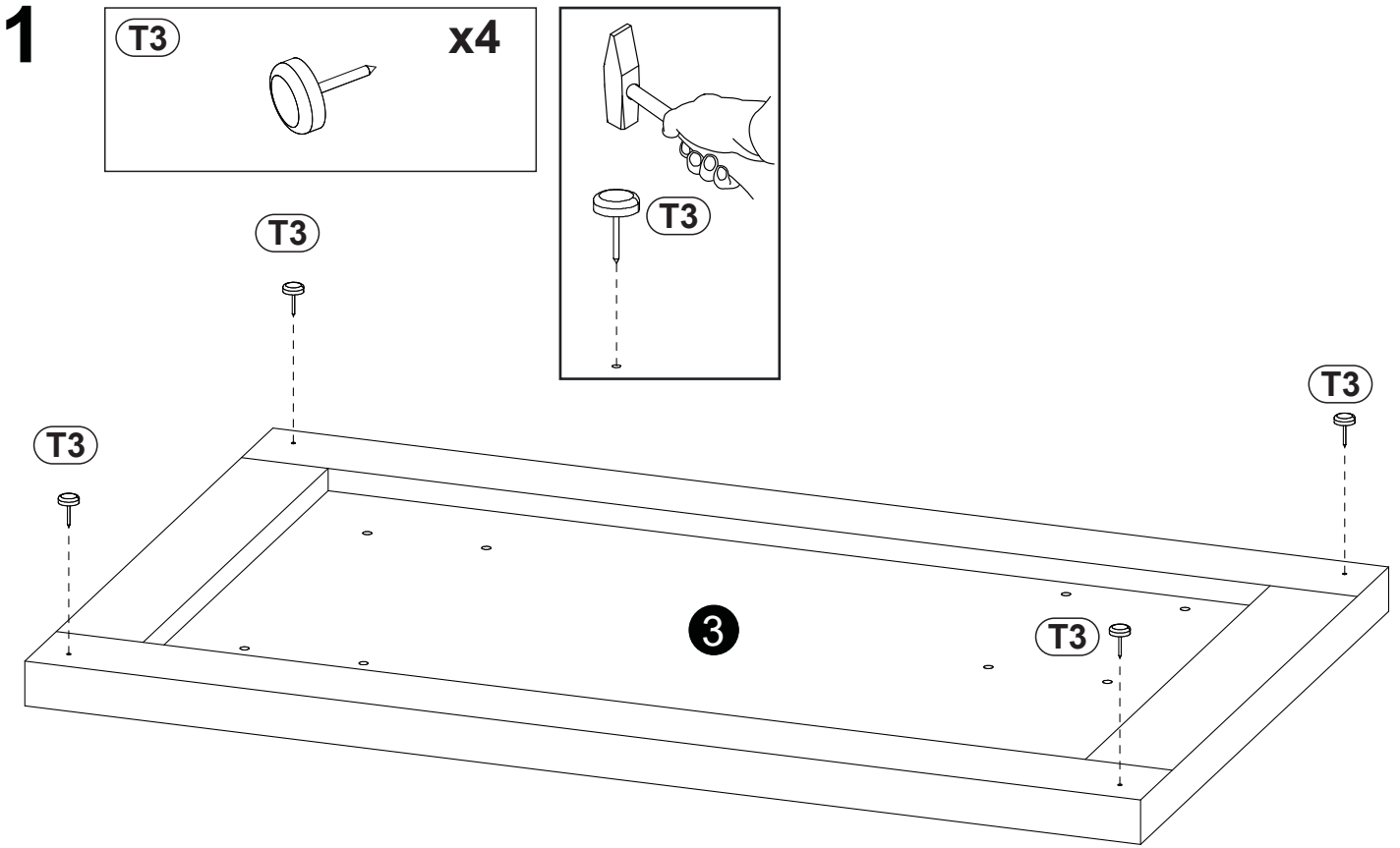


<b>A0</b> 8 x 30mm <b>x8</b> 	<b>B0</b> <b>x18</b> 	<b>B1</b> 7x 50 mm <b>x8</b> 
<b>B2</b> 7 x 70 mm <b>x20</b> 	<b>D4</b> 3,5 x 16 mm <b>x16</b> 	<b>D21</b> 5 x 13 mm <b>x32</b> 
<b>K</b> 4mm <b>x1</b> 	<b>N39</b> L-700 <b>x1</b> 	<b>N40</b> <b>x4</b> 
<b>T3</b> <b>x4</b> 	<b>U2</b> <b>x4</b> 	<b>U9</b> <b>x8</b> 
<b>LOGO...</b> <b>x1</b>		

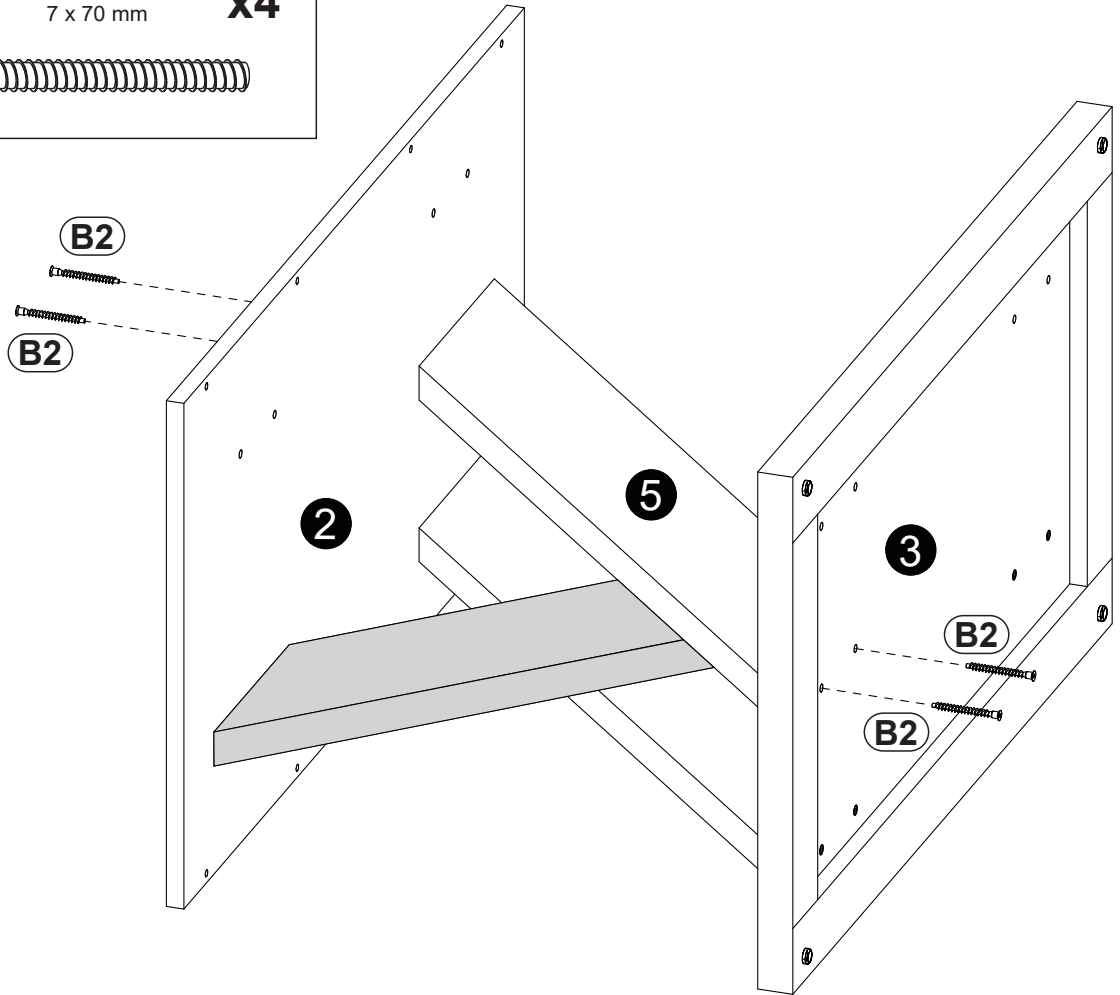
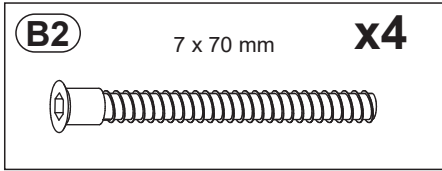


1	700	900	36	2	3/3
2	960	538	18	1	1/3
3	900	550	36	1	2/3
4	400	900	36	1	2/3
5	968	150	36	3	1/3
6	958	80	18	2	1/3
7	968	150	36	2	1/3
					1/3

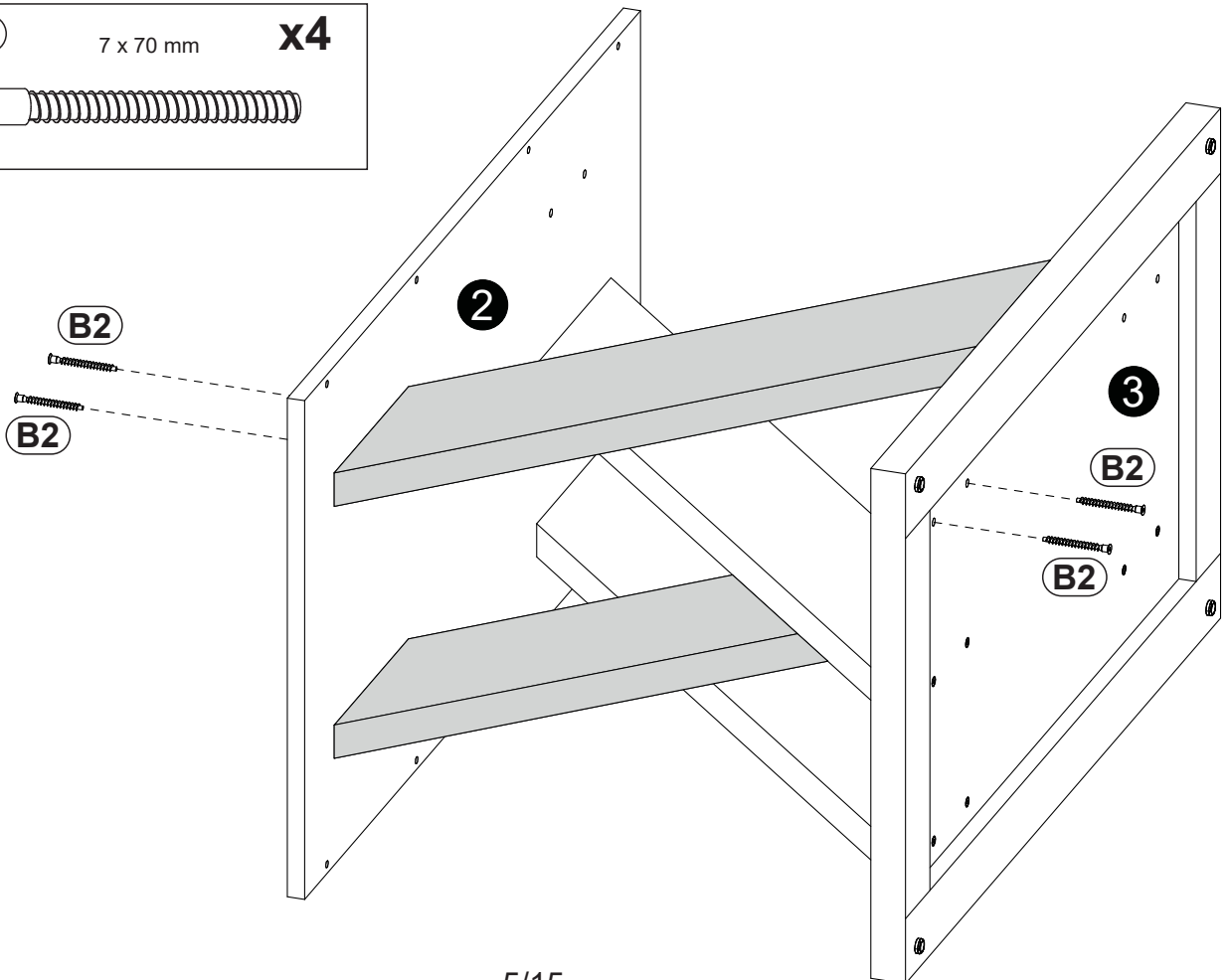
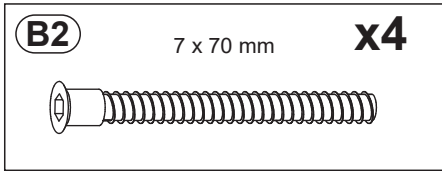




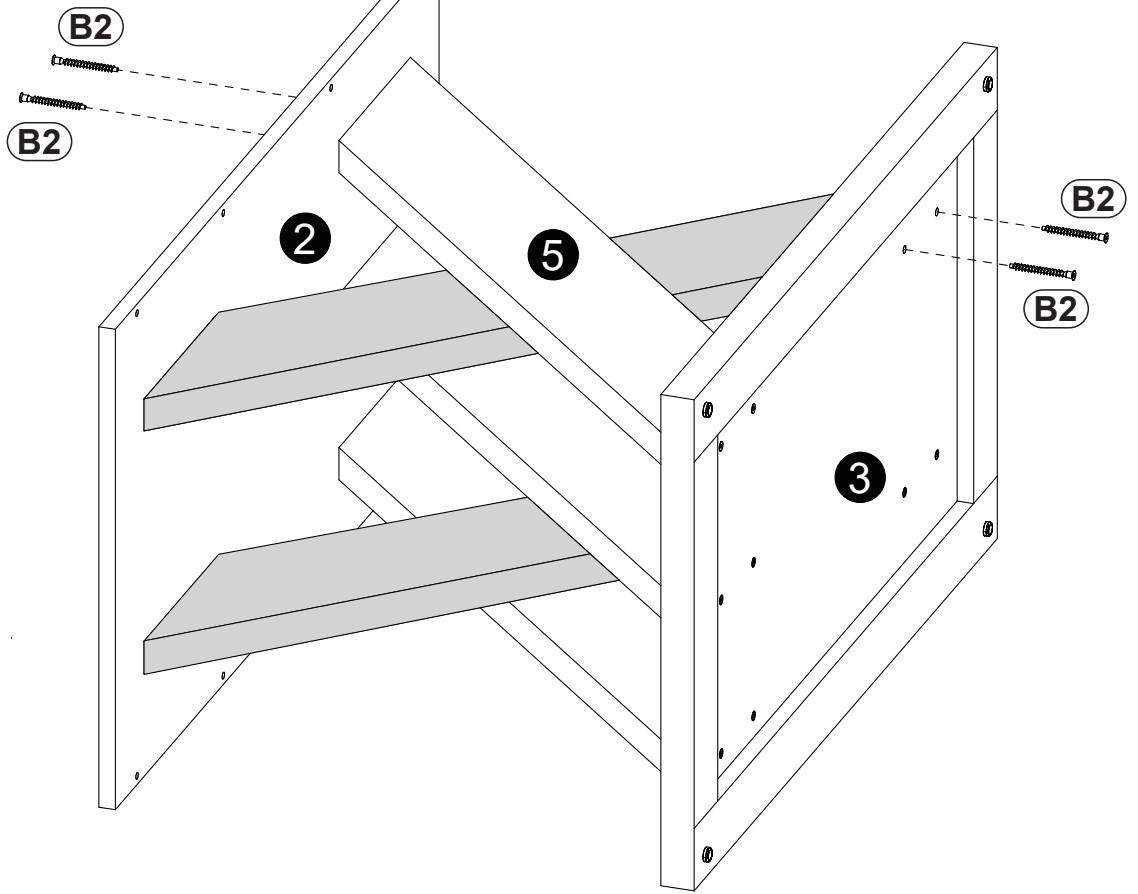
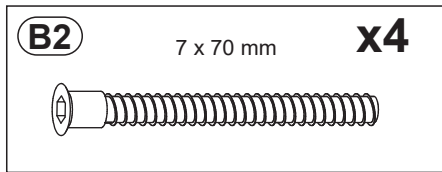
3



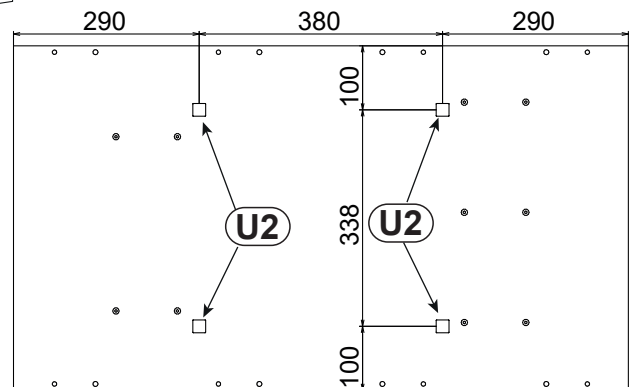
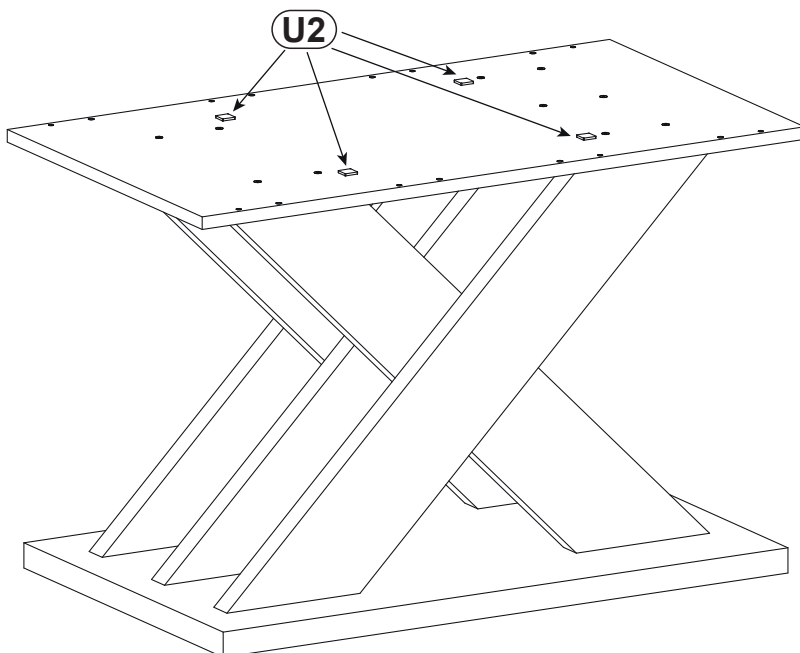
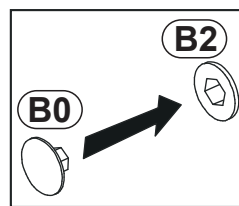
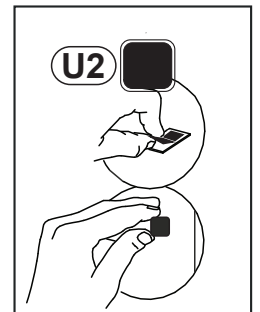
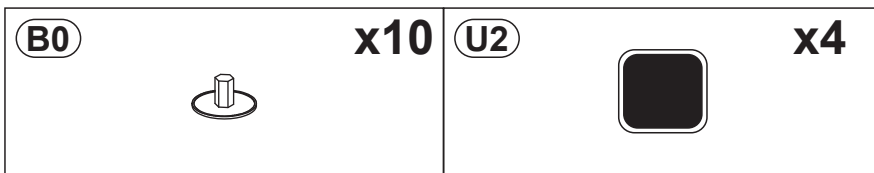
4




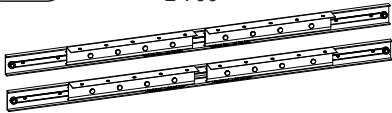

5

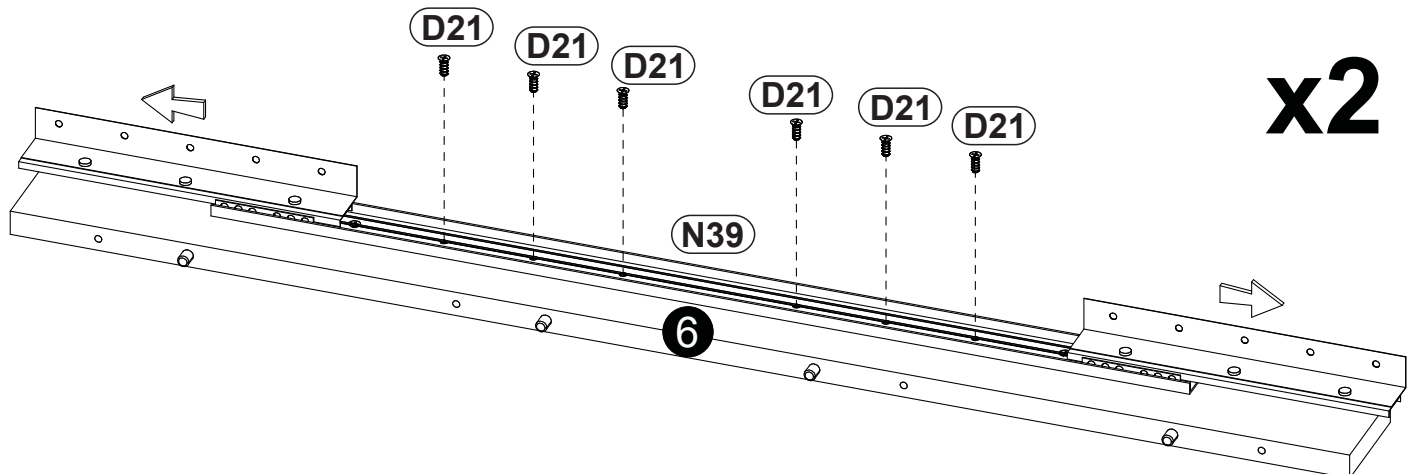
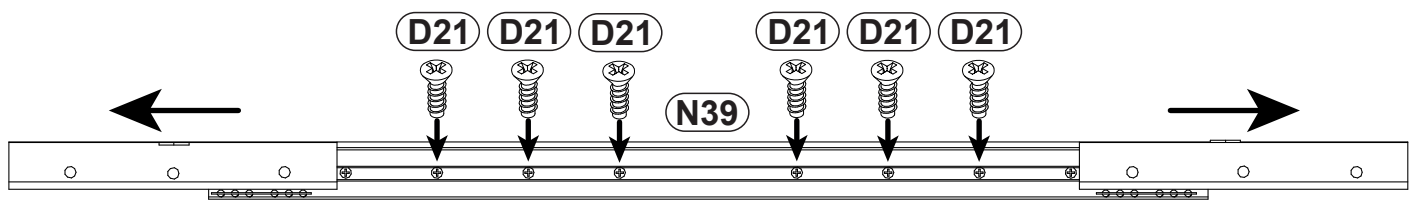
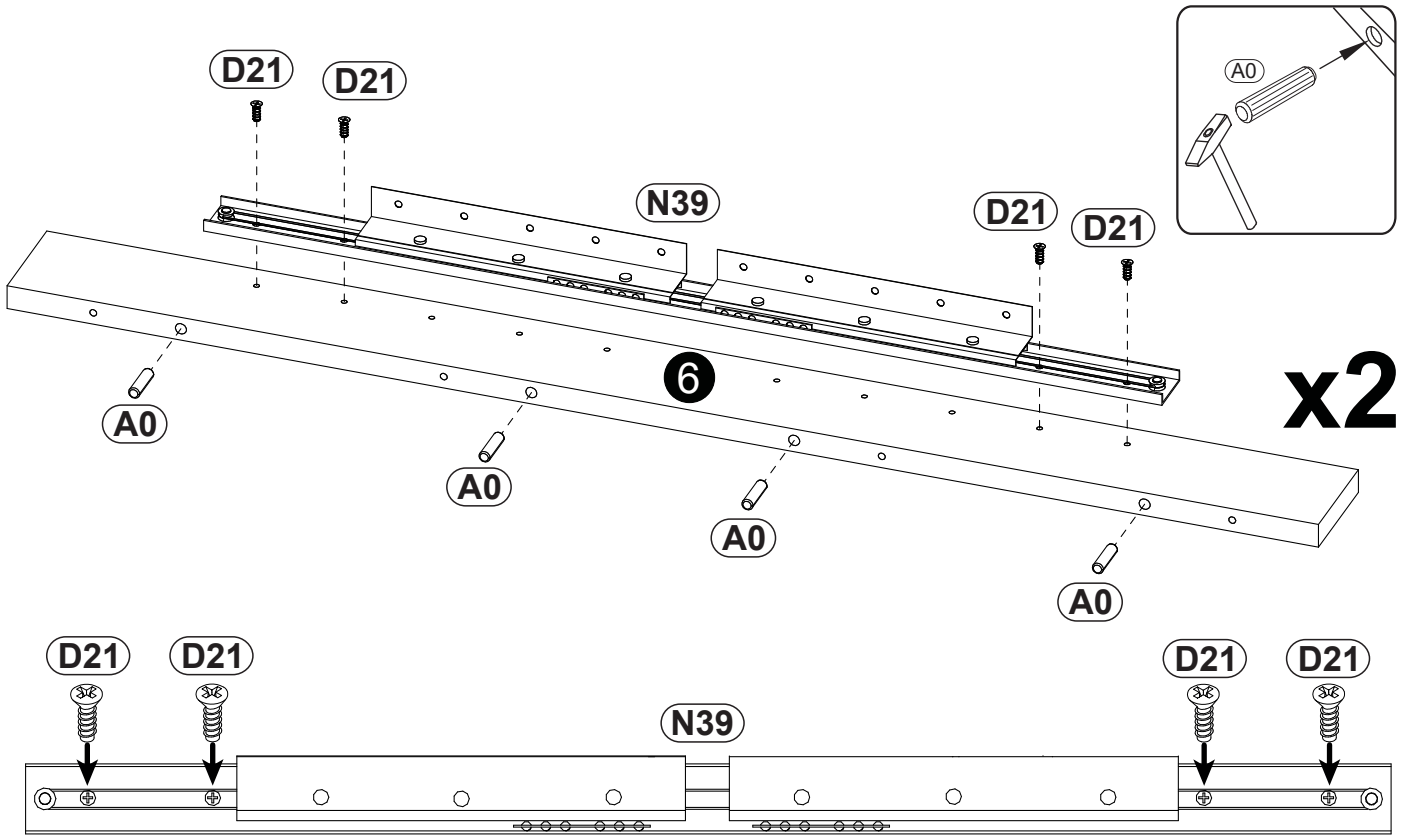


6

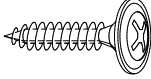
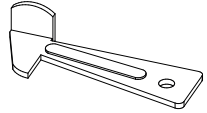
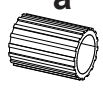
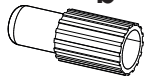


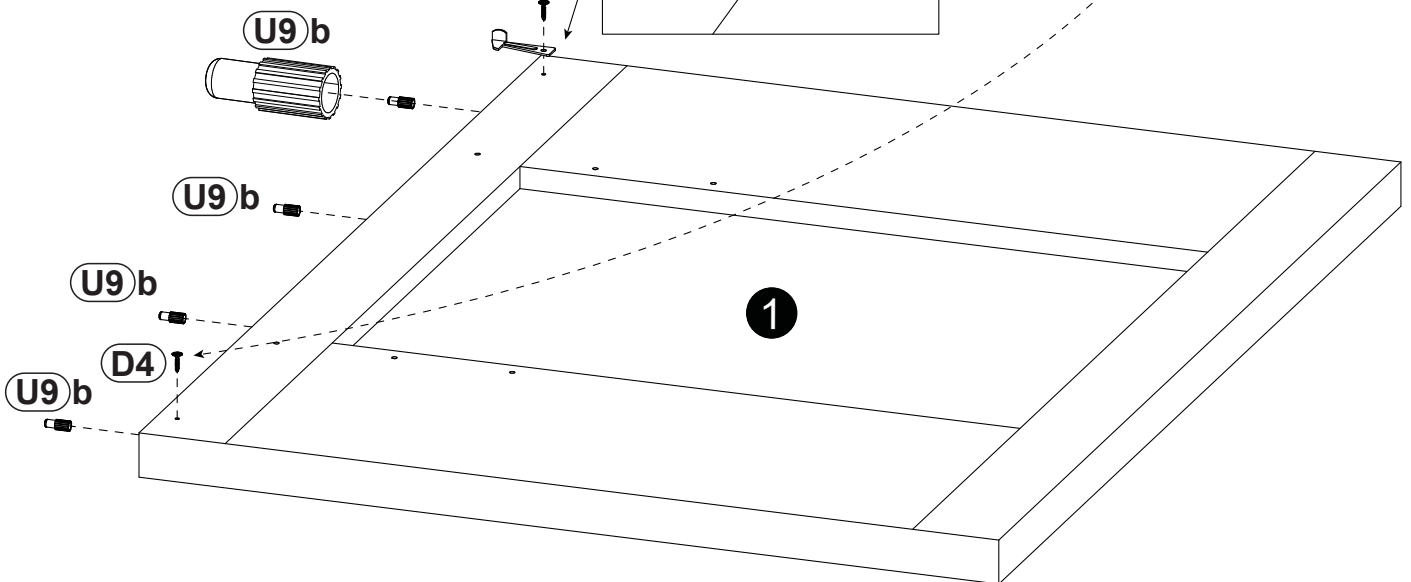
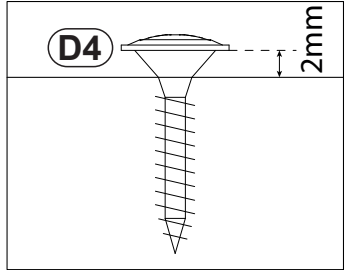
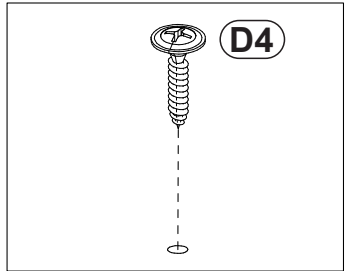
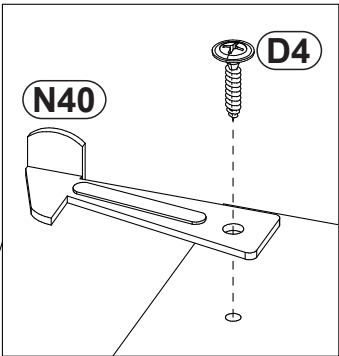
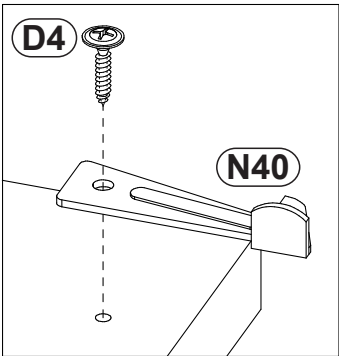
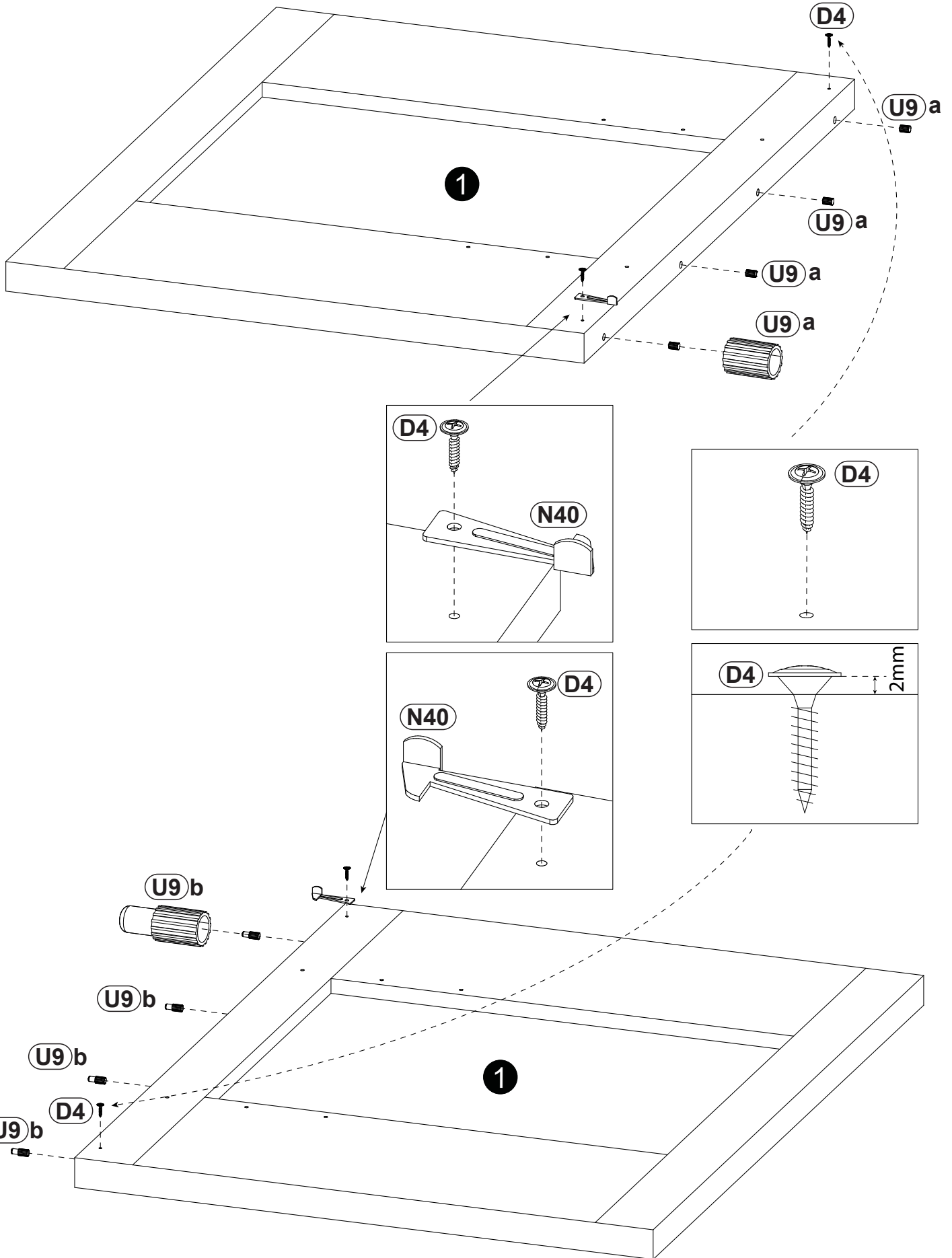
7

<b>A0</b> 8 x 30mm 	<b>x8</b>	<b>N39</b> L-700 	<b>x1</b>	<b>D21</b> 5 x 13 mm 	<b>x20</b>
--	-----------	---	-----------	--	------------

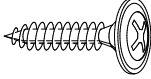
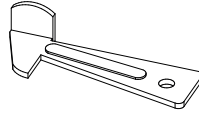
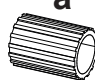
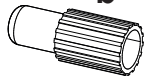


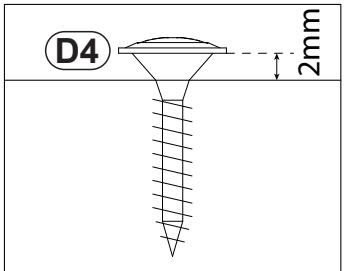
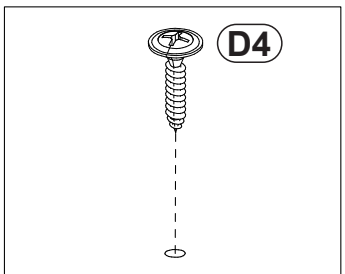
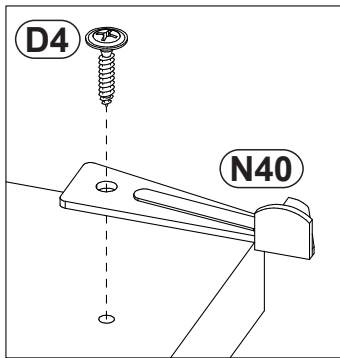
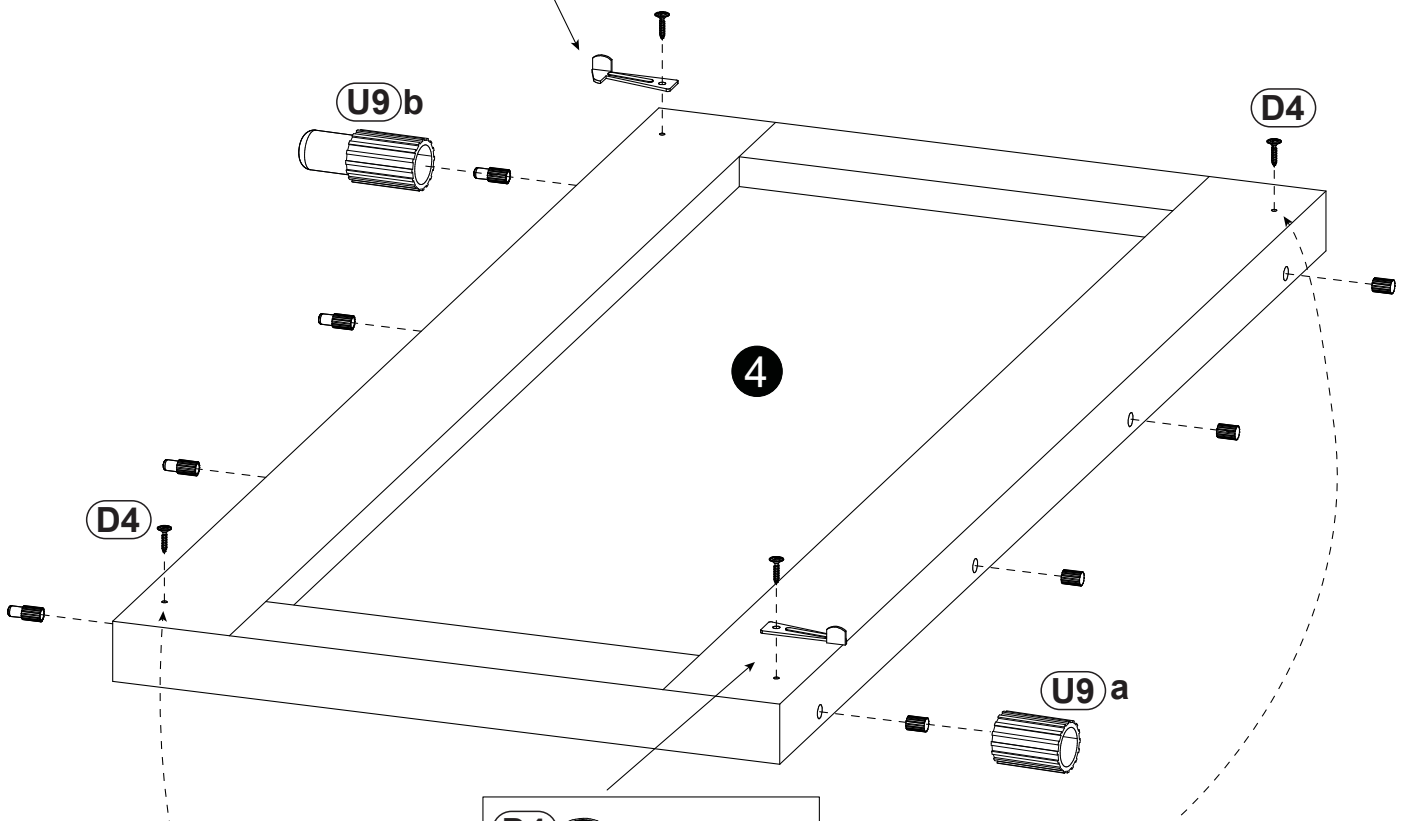
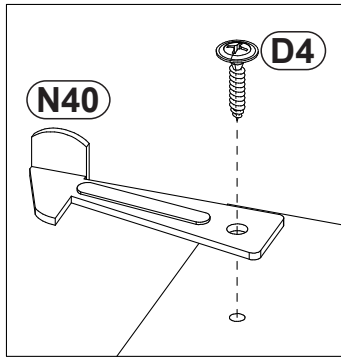
8

<b>D4</b> 3,5 x 16 mm 	<b>x4</b>	<b>N40</b> 	<b>x2</b>	<b>U9</b> a  b 	<b>x4</b>
---	-----------	---	-----------	--	-----------

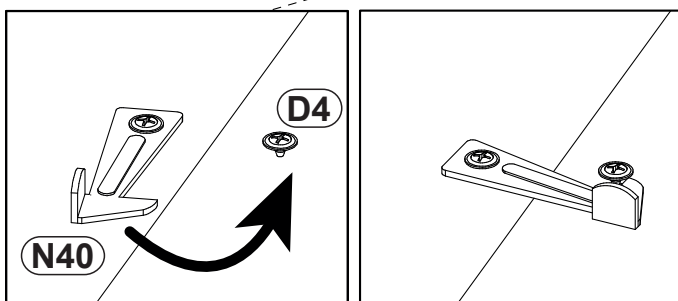
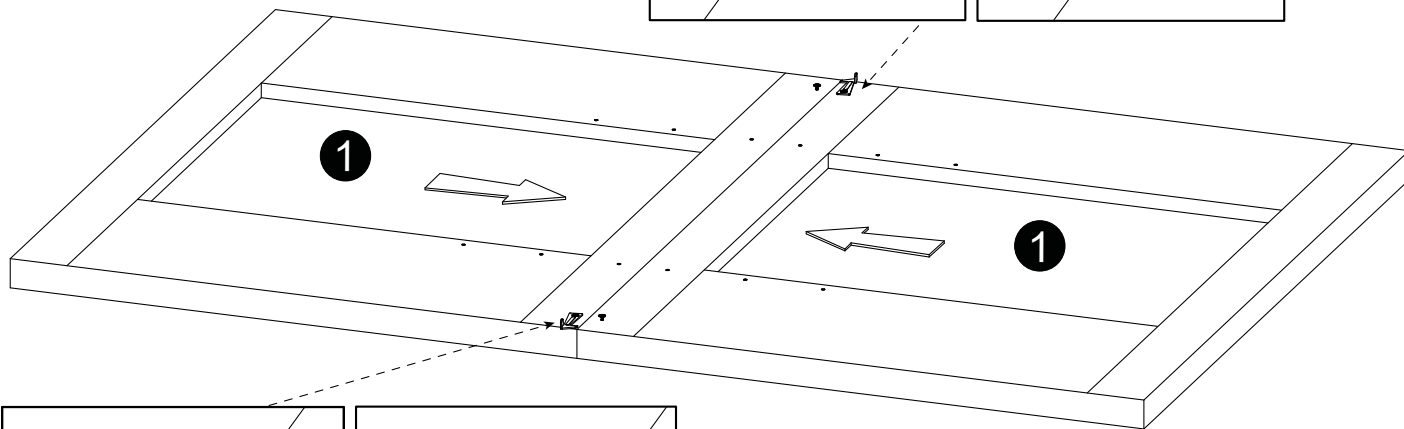
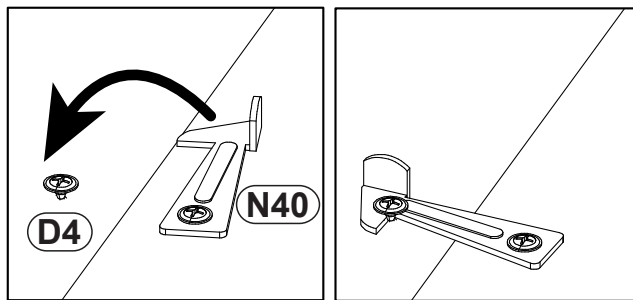
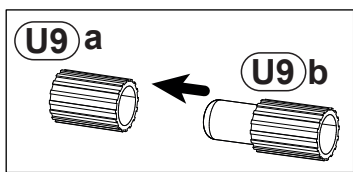


9

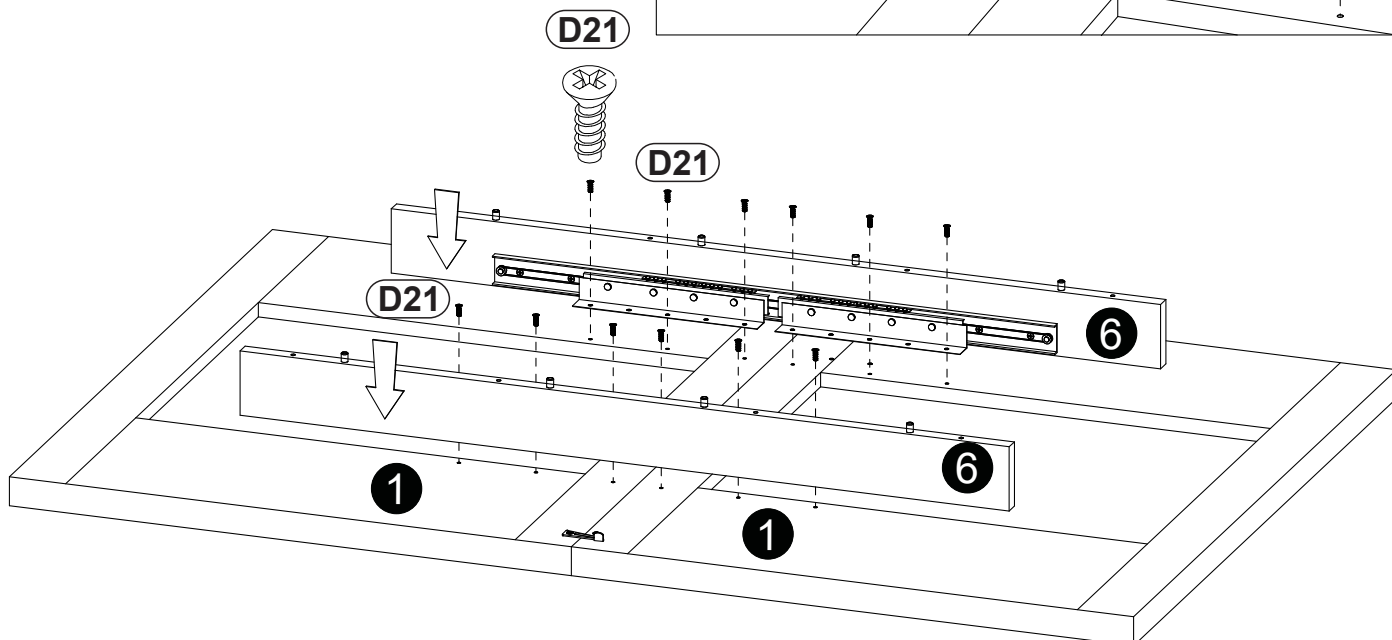
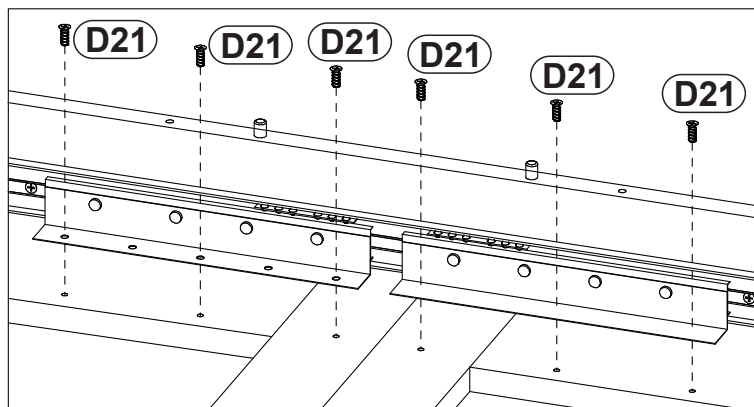
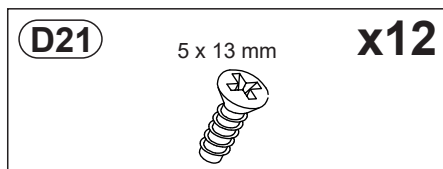
<b>D4</b> 3,5 x 16 mm 	<b>x4</b>	<b>N40</b> 	<b>x2</b>	<b>U9</b> a  b 	<b>x4</b>
---	-----------	---	-----------	--	-----------



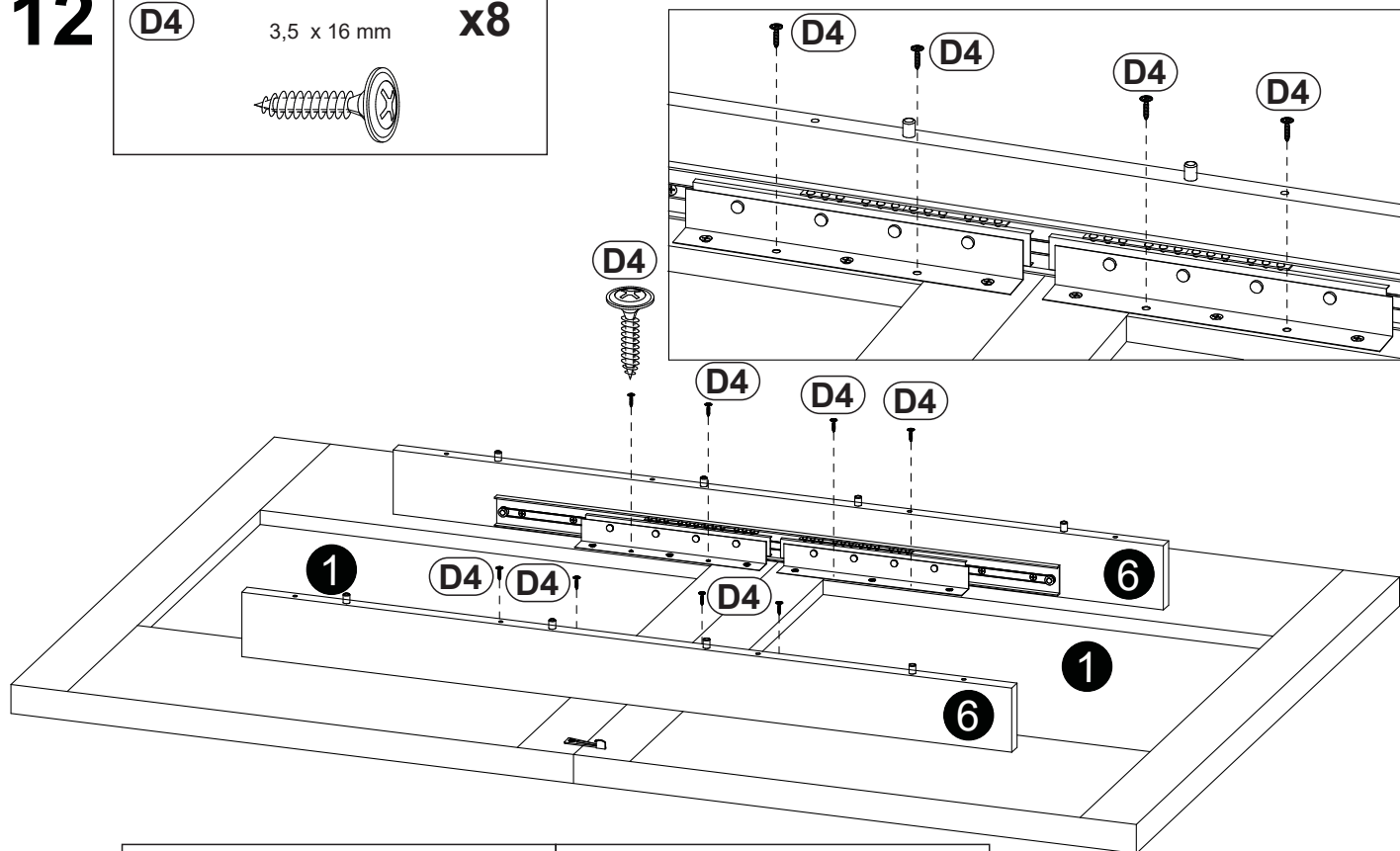
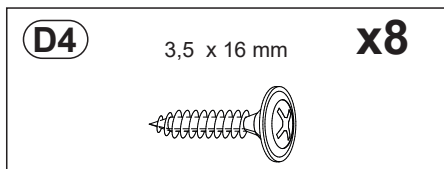
# 10



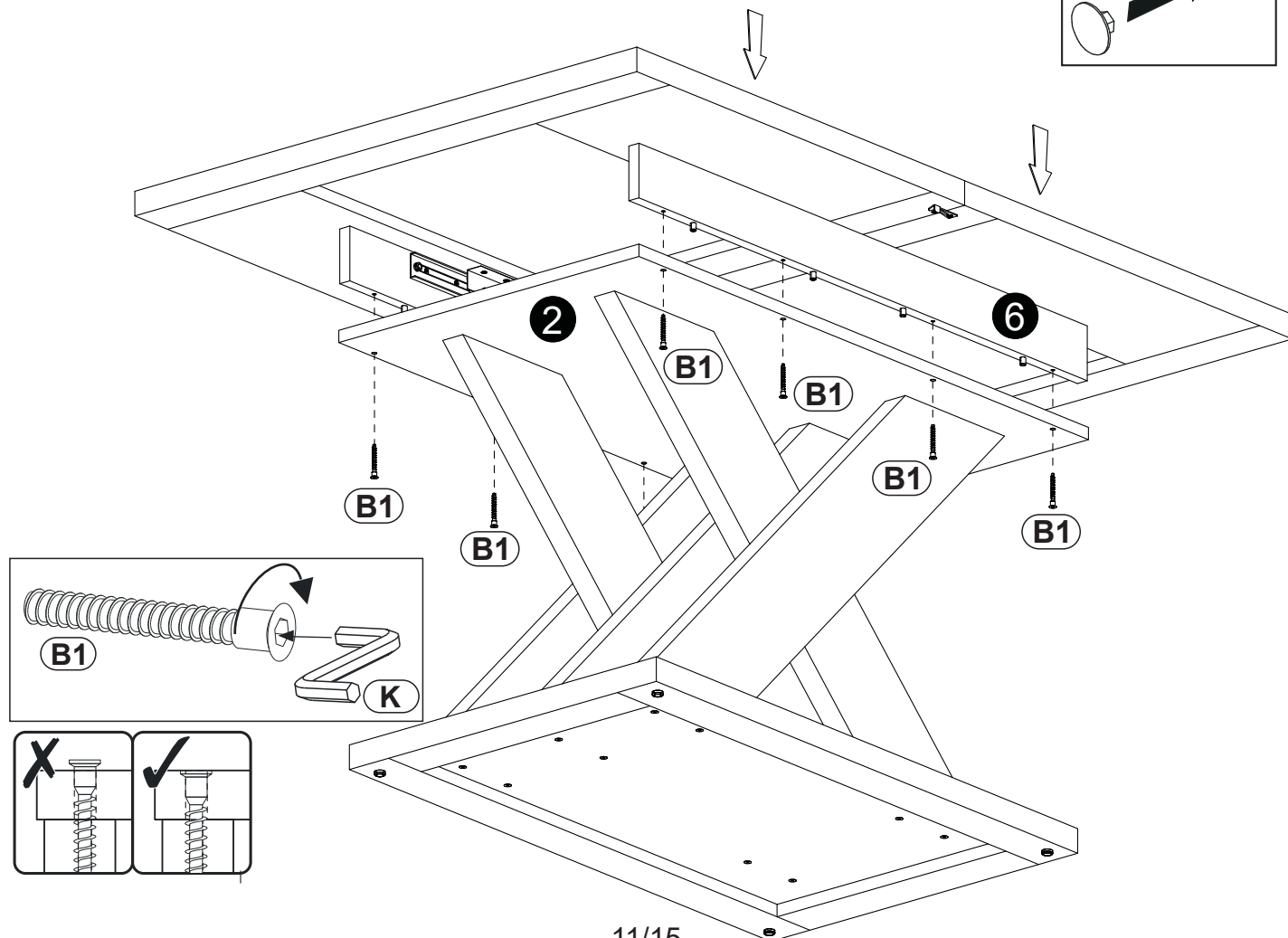
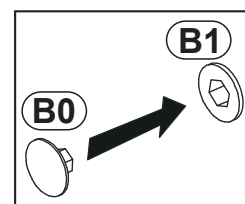
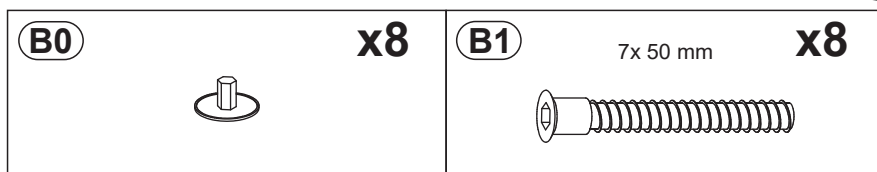
# 11



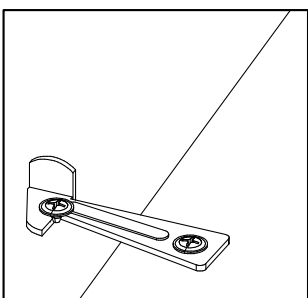
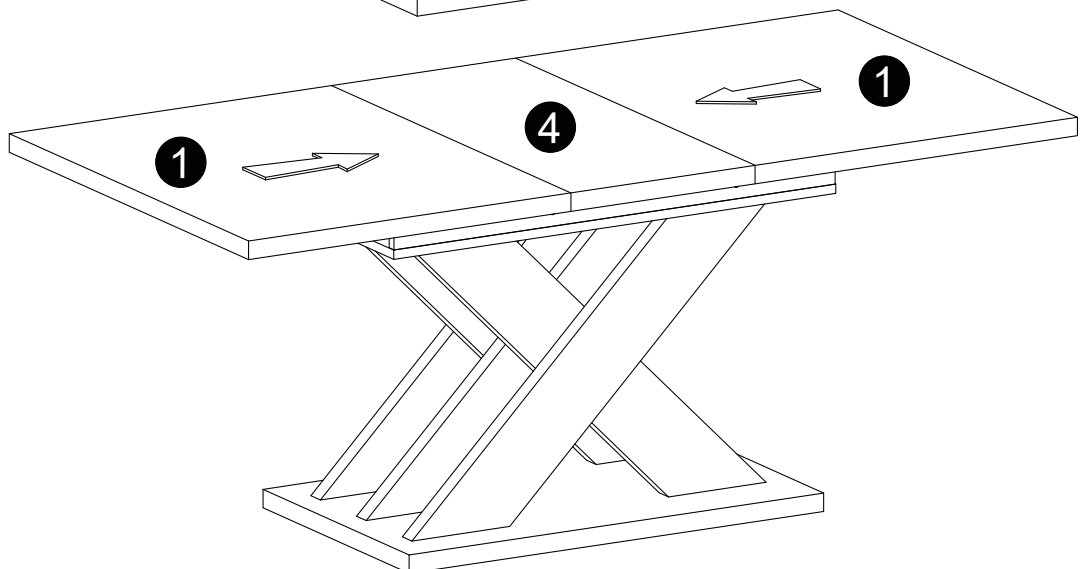
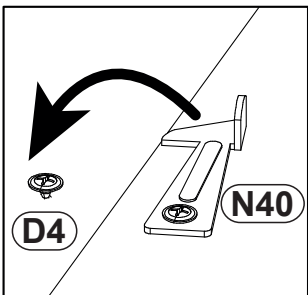
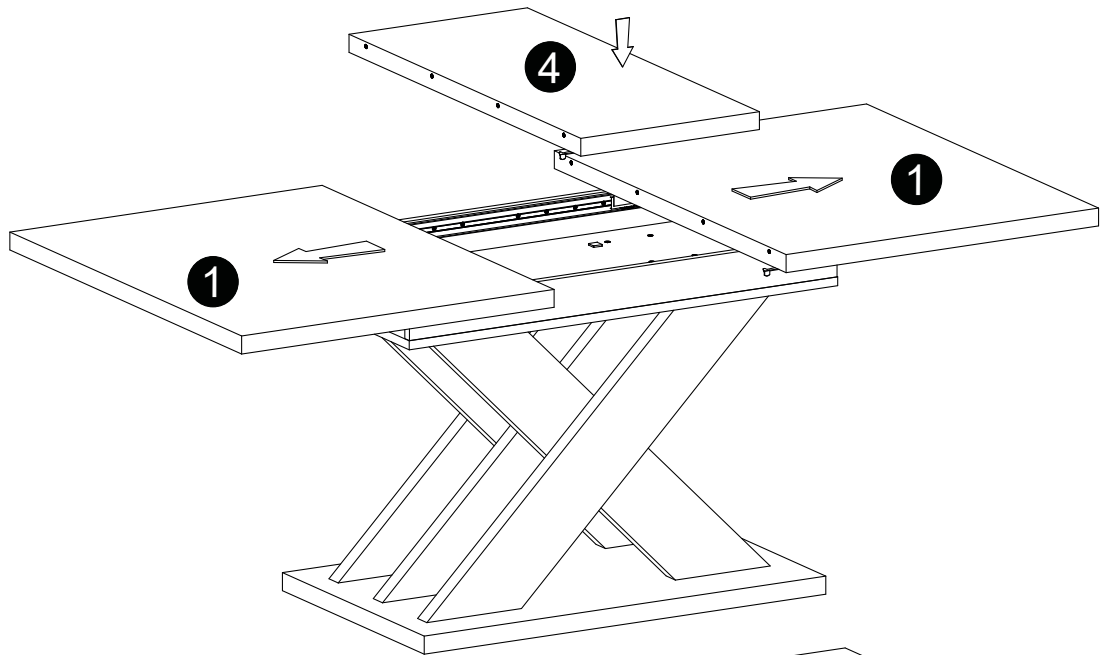
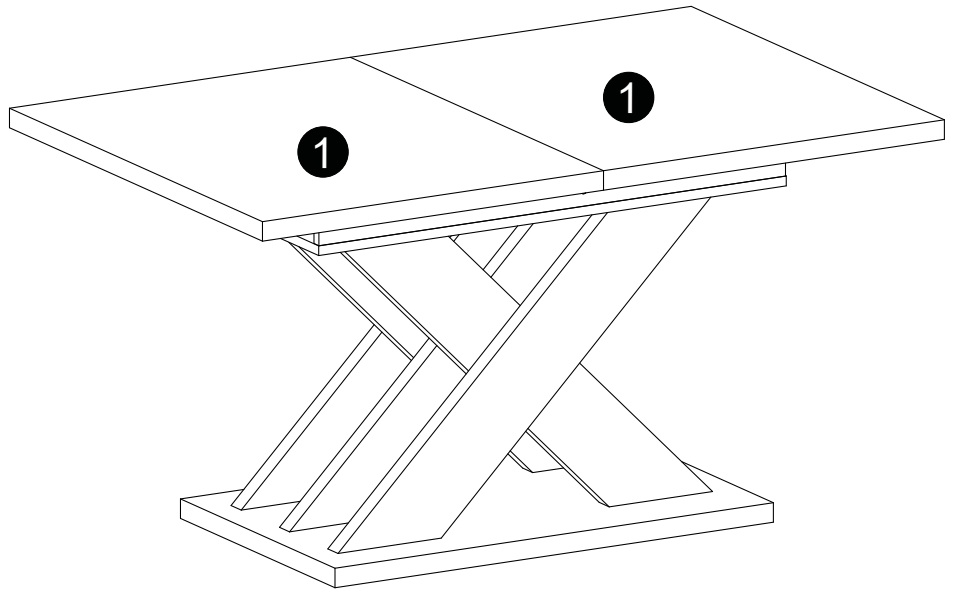
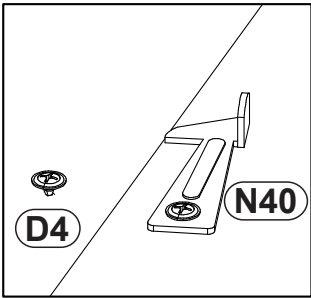
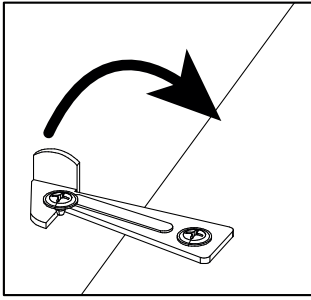
# 12



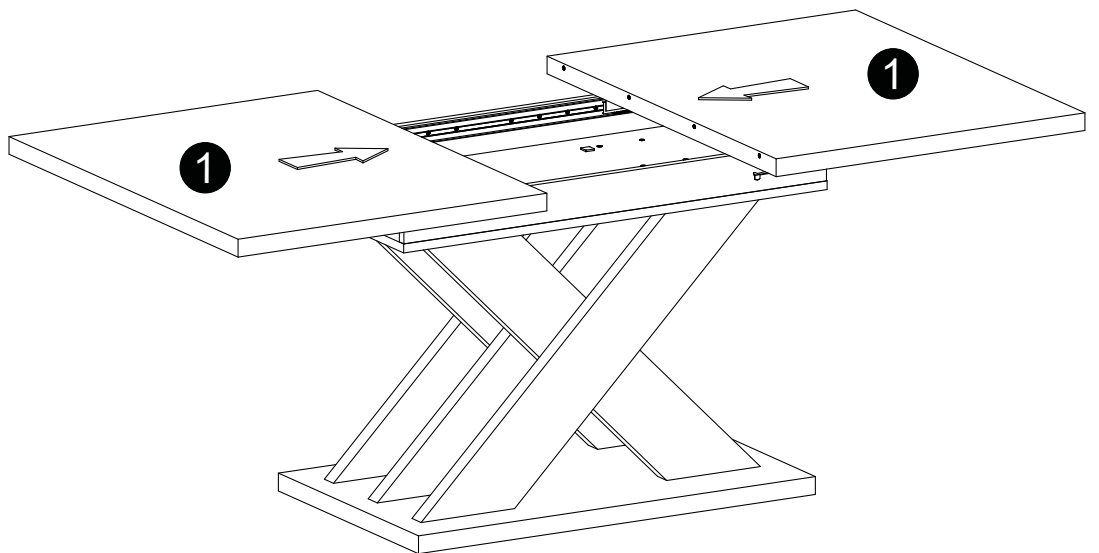
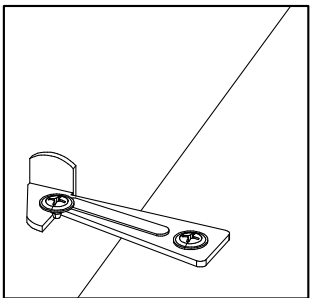
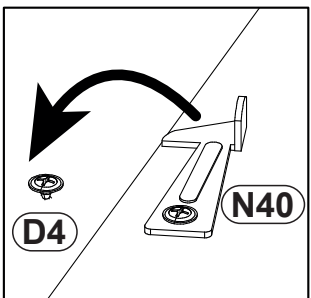
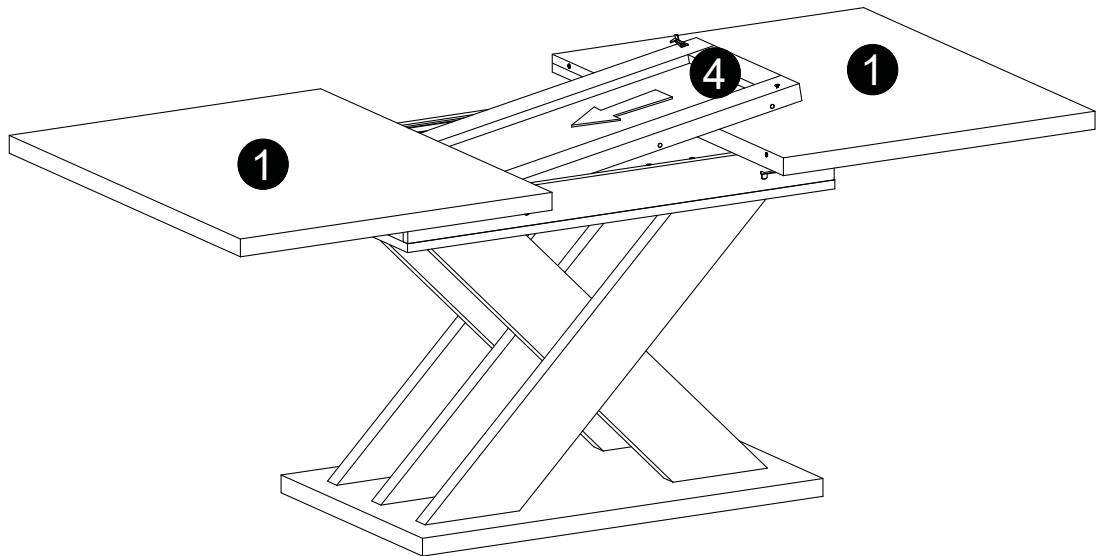
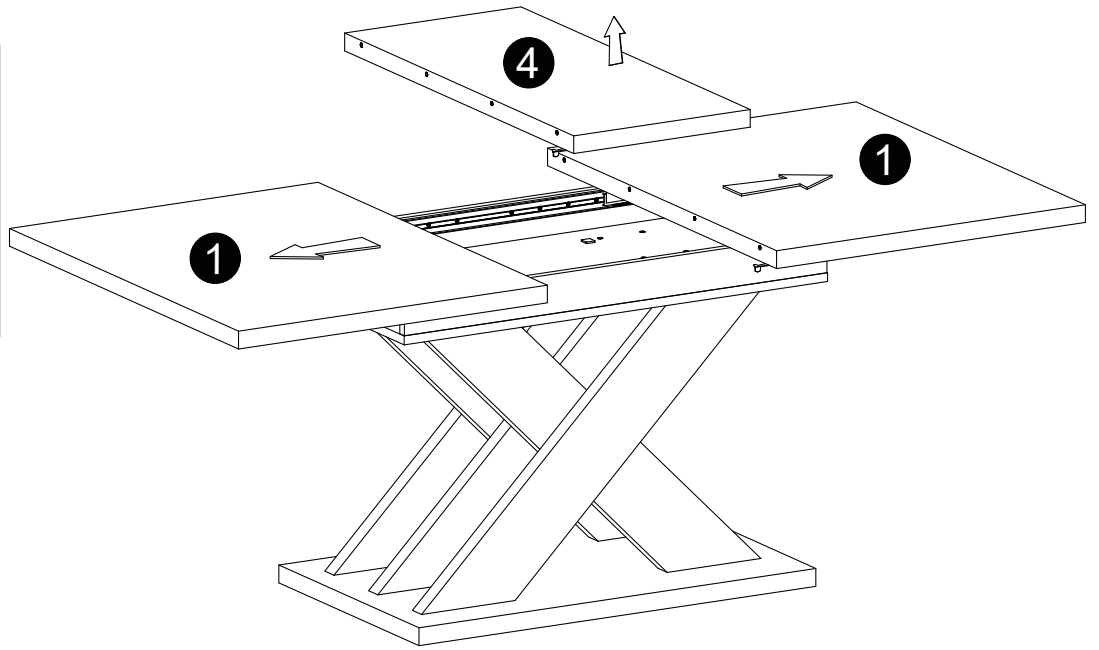
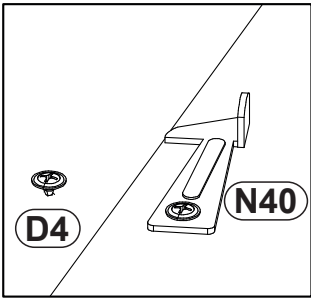
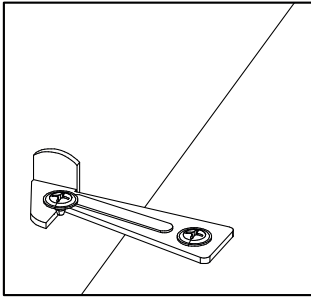
# 13



# 14



# 15



16

