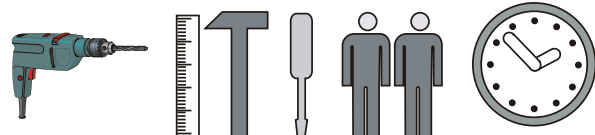
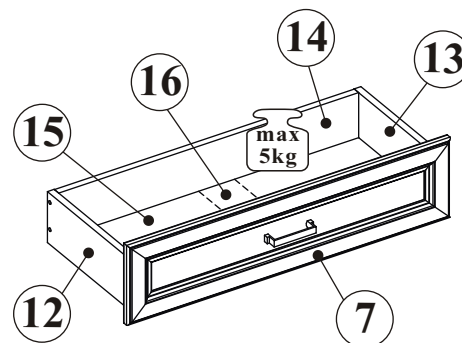
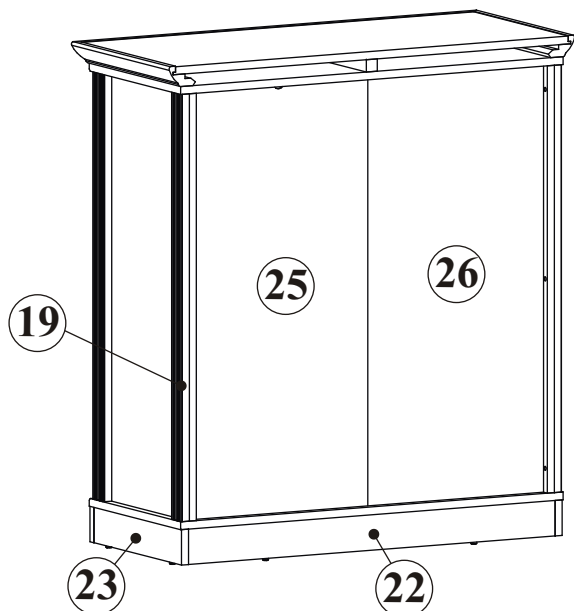
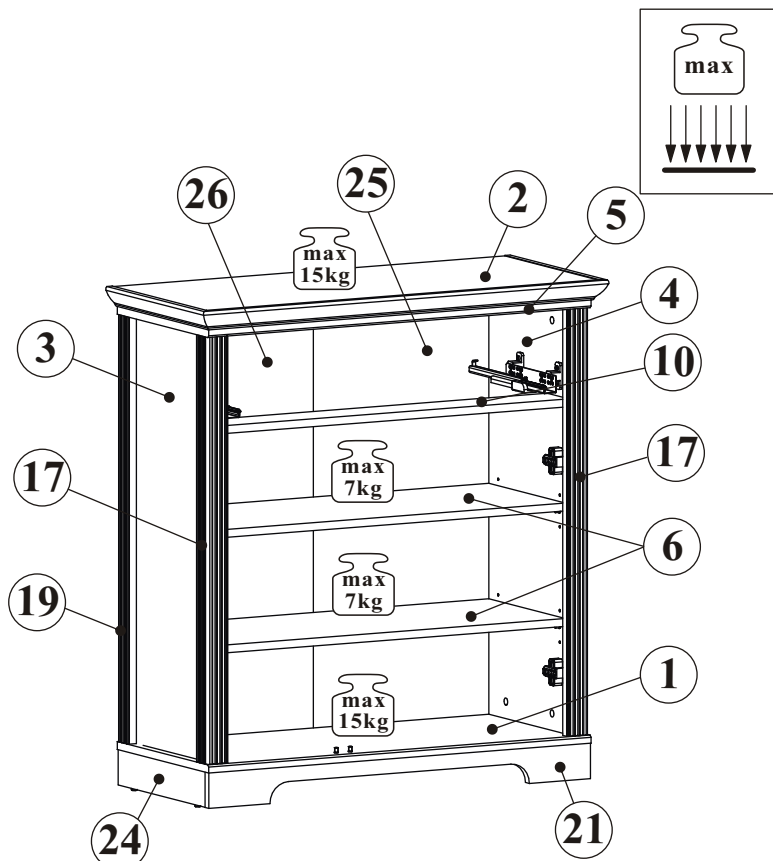
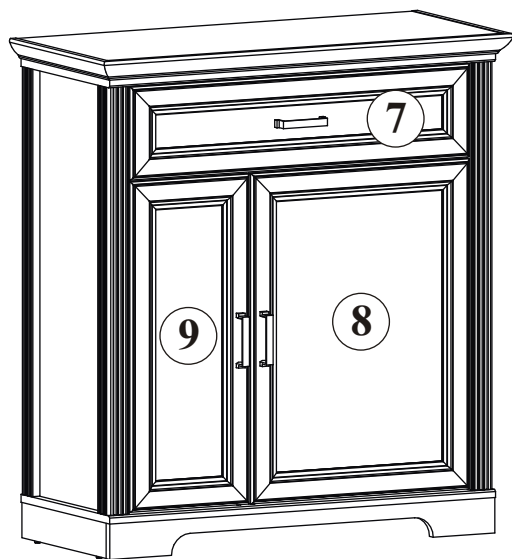


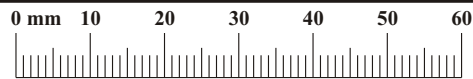
# JASMIN 30B1\_11

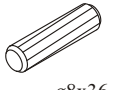
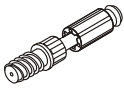
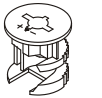



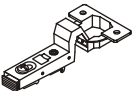
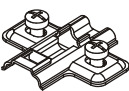

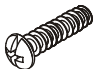



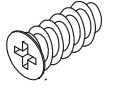

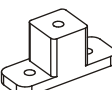
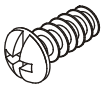
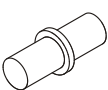
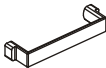

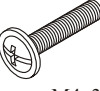
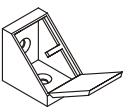

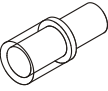


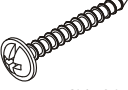
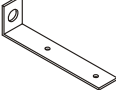
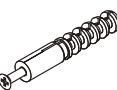



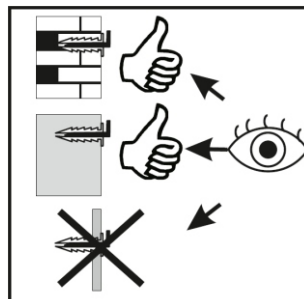
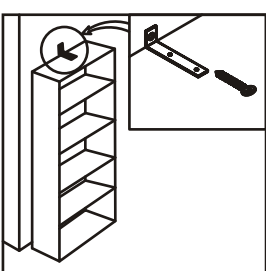
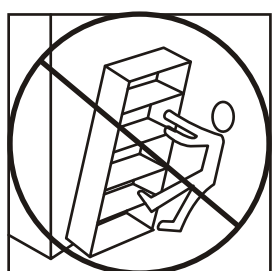
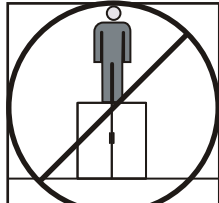
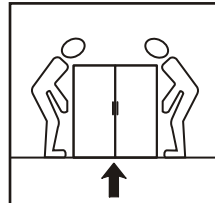
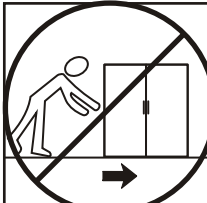
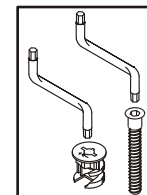
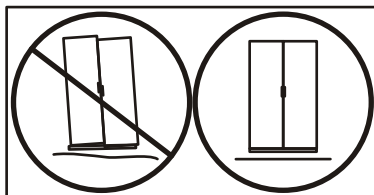
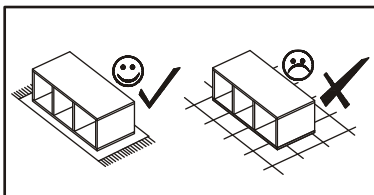
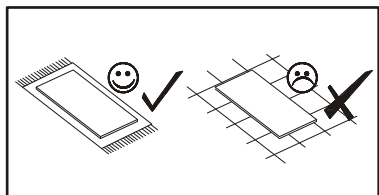
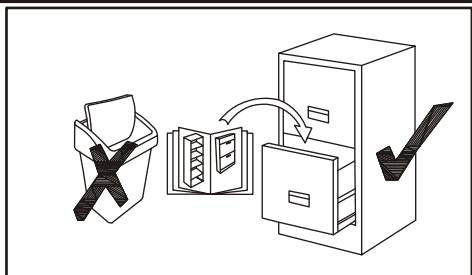
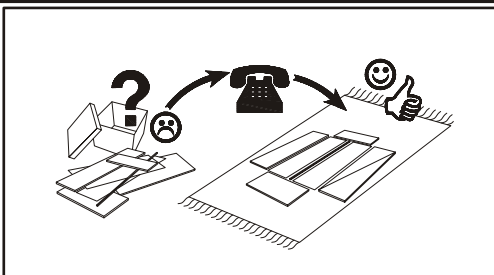
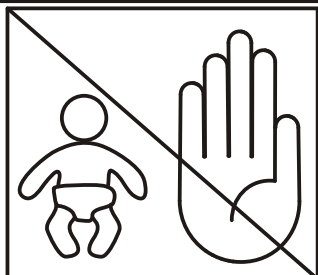
120 min

NO	Dim.		Col.-No	Qty
1	876	380	1	1
2	929	406	1	1
3	866	353	2	1
4	866	353	2	1
5	876	380	1	1
6	804	318	1	2
7	770	188	2	1
8	668	496	2	1
9	668	270	2	1
10	804	90	2	1
12	300	120	2	1
13	300	120	2	1

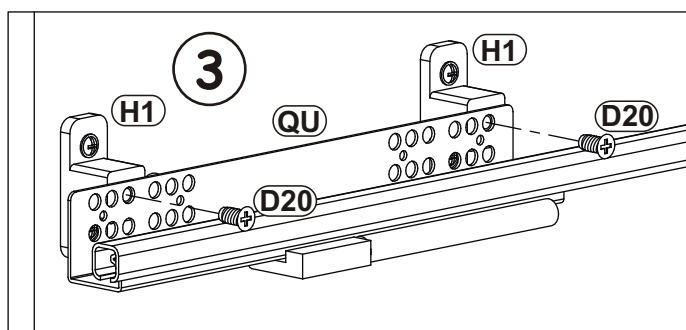
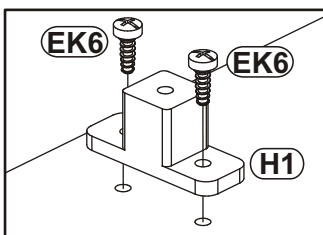
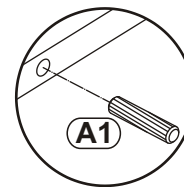
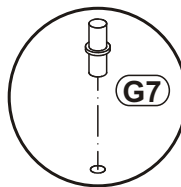
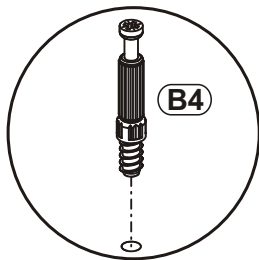
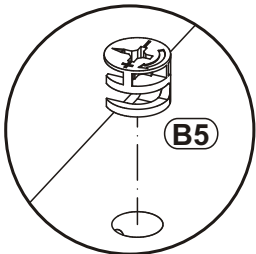
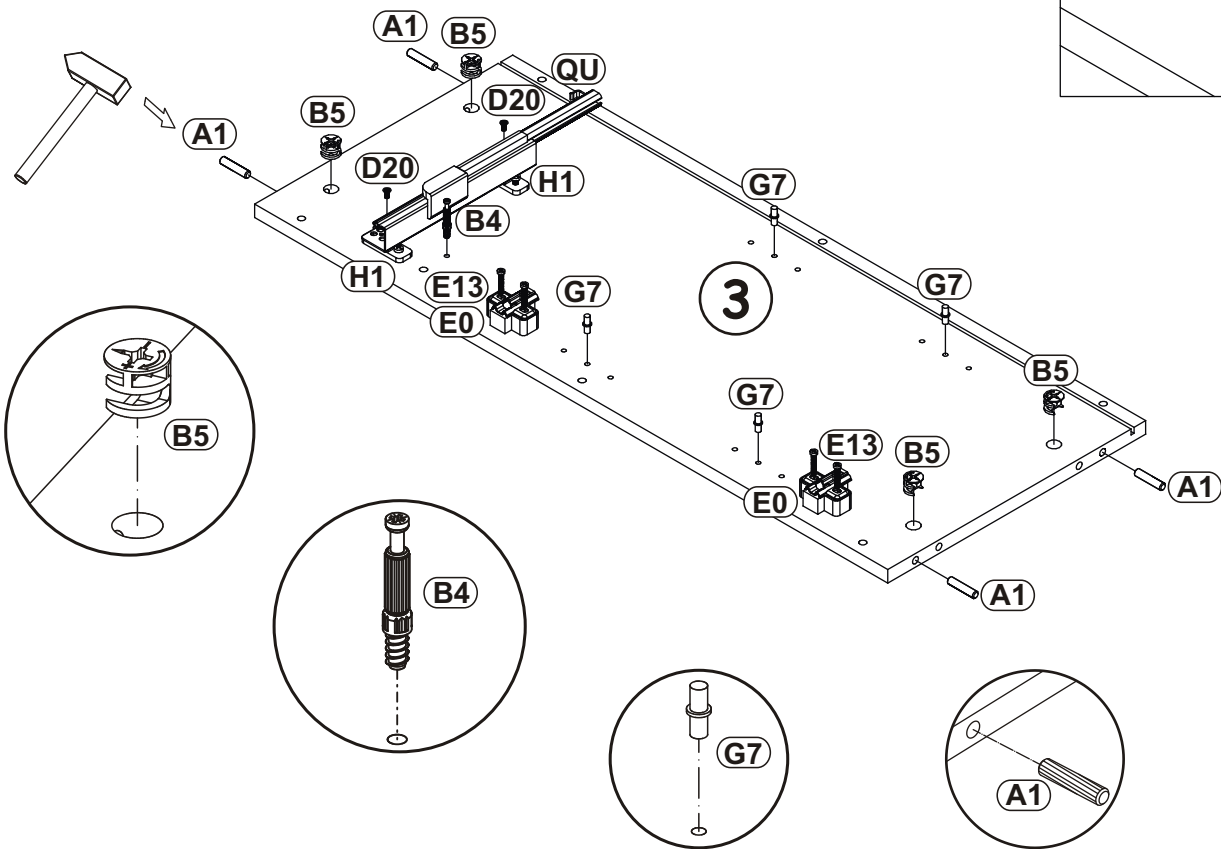
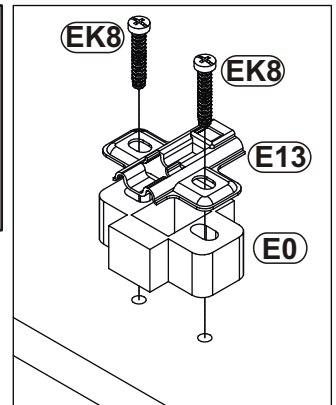
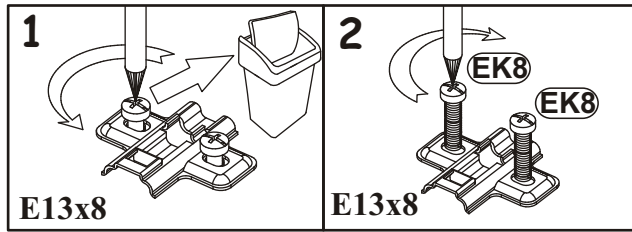
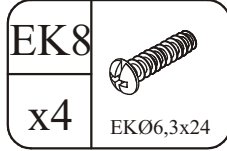
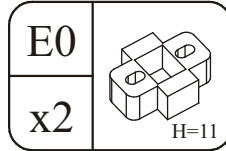
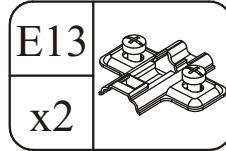
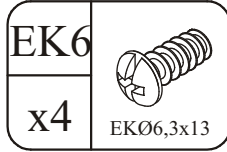
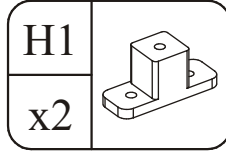
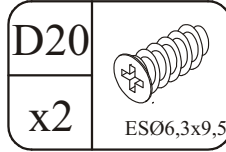
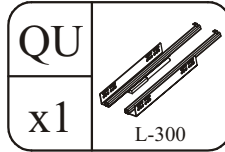
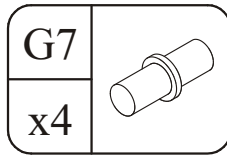
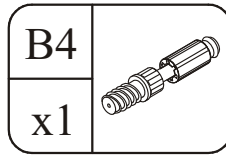
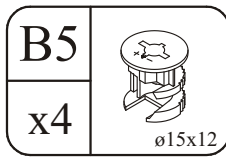
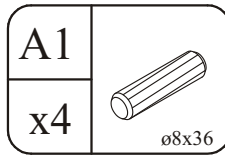
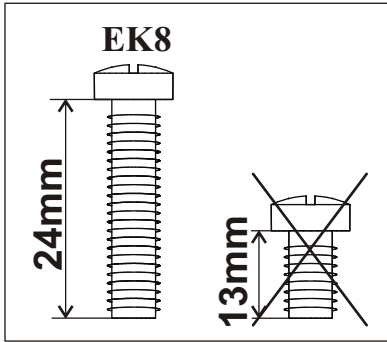
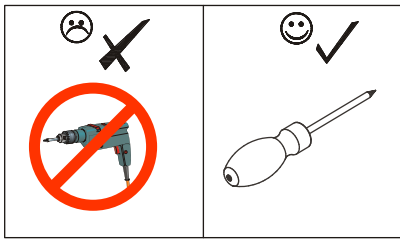
NO	Dim.		Col.-No	Qty
14	714	106	2	1
15	304	726	2	1
16	299	80	2	1
17	866	49	2	2
19	866	43	2	2
21	874	72	1	1
22	840	72	1	1
23	363	72	1	1
24	363	72	1	1
25	878	408	2	1
26	878	408	2	1



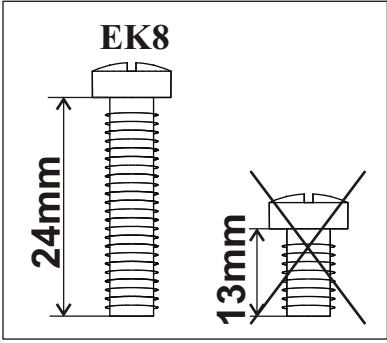
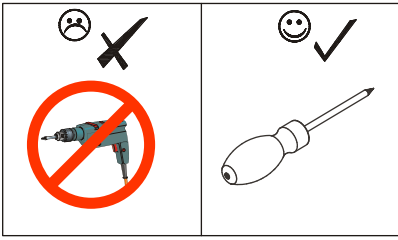
A1 x28  ø8x36	B4 x23 	B5 x23  ø15x12	G5 x23 	B11 x4  Ø7x50	B14 x19  Ø7x30
E17 x4  H=16	E13 x4 	E0 x4  H=11	EK8 x8  EKØ6,3x24	G4 x16 	G12 x7  Ø14
QU x1  L-300	D20 x4  ESØ6,3x9,5	D10 x12  USØ3,5x13	H1 x4 	EK6 x8  EKØ6,3x13	G7 x8 
C19 x3 	D34 x2  M4x16	D4 x4  M4x30	KM1 x1 	UP13 x6  UPØ3x16	G20 x2 
I2 x6 	S1 x14 	UP6 x2  UPØ4x30	L1 x1 	KR1 x1 	G2 x1 

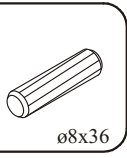

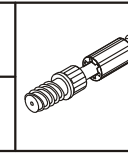
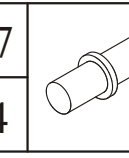
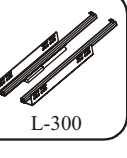
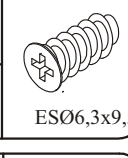
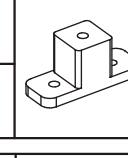

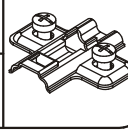
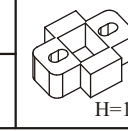
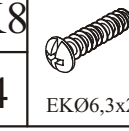


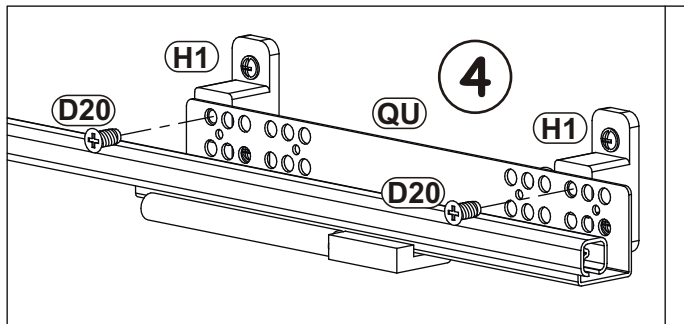
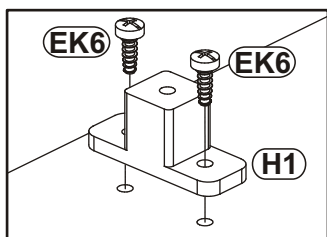
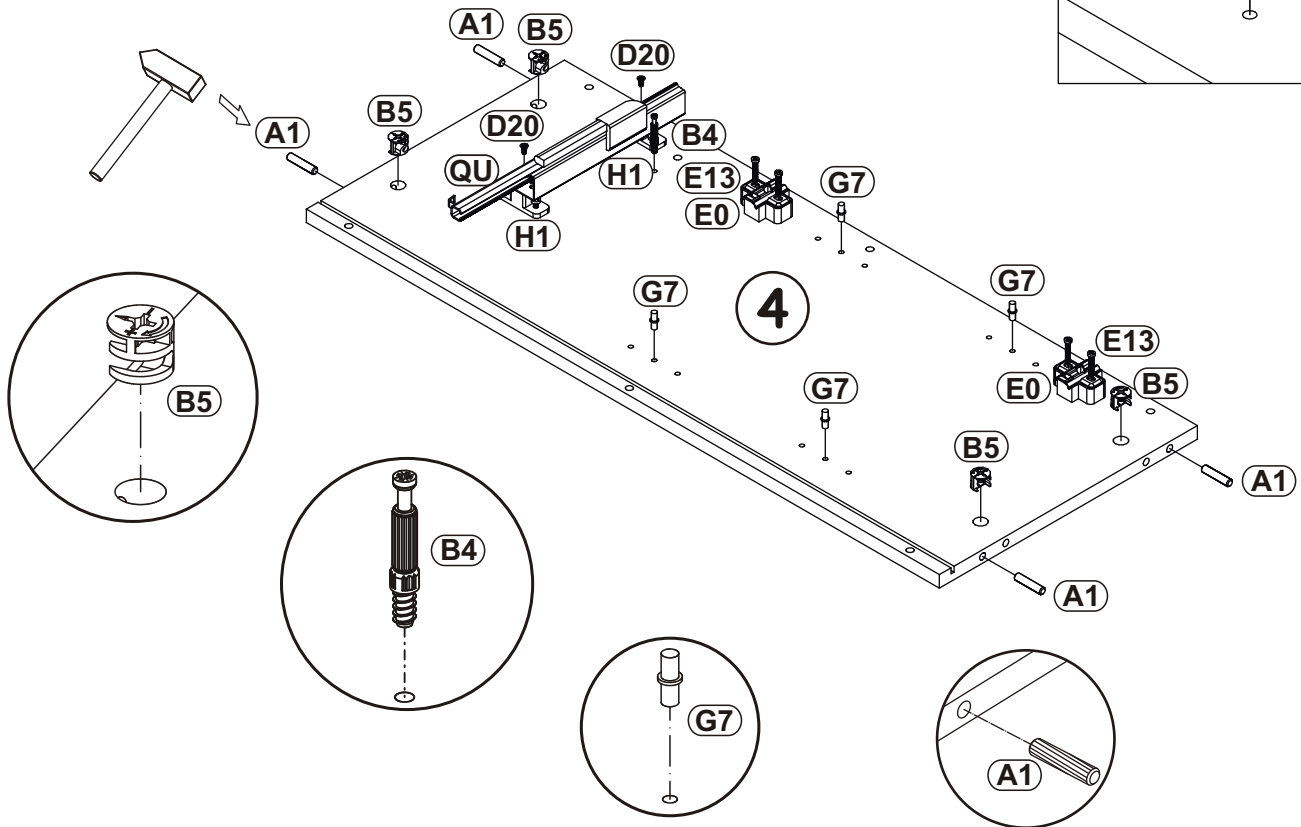
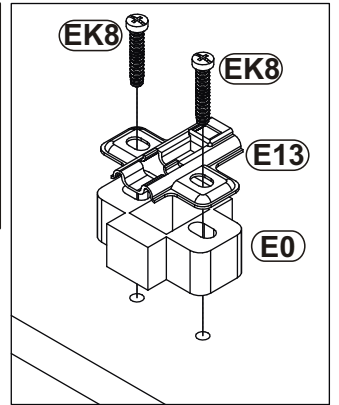
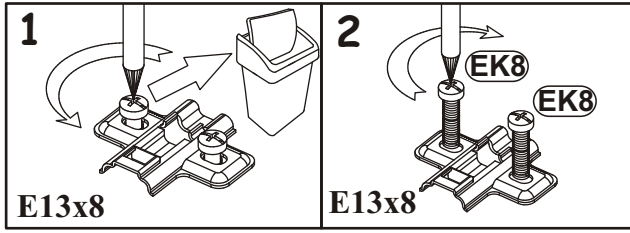
1



2

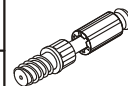


A1 x4		B5 x4		B4 x1		G7 x4	
QU x1		D20 x2		H1 x2		EK6 x4	
E13 x2		E0 x2		EK8 x4			

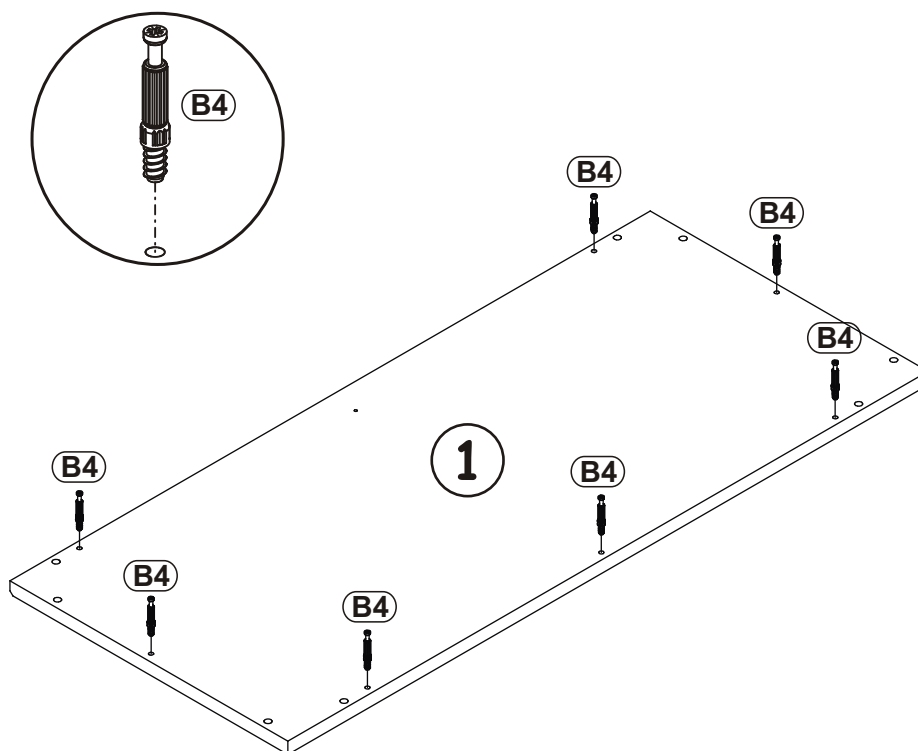


B4

x7



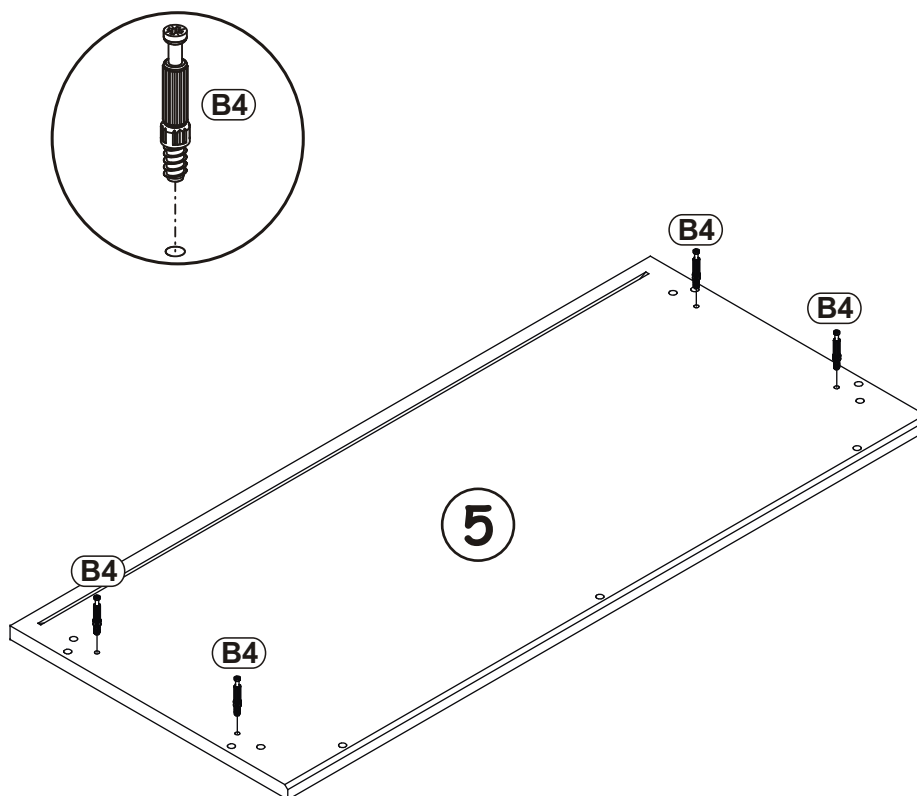
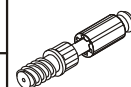
3

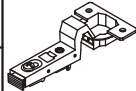
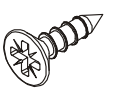


4

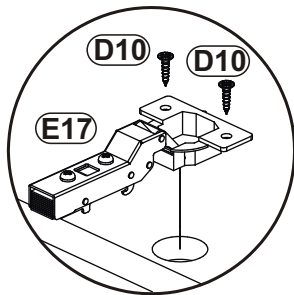
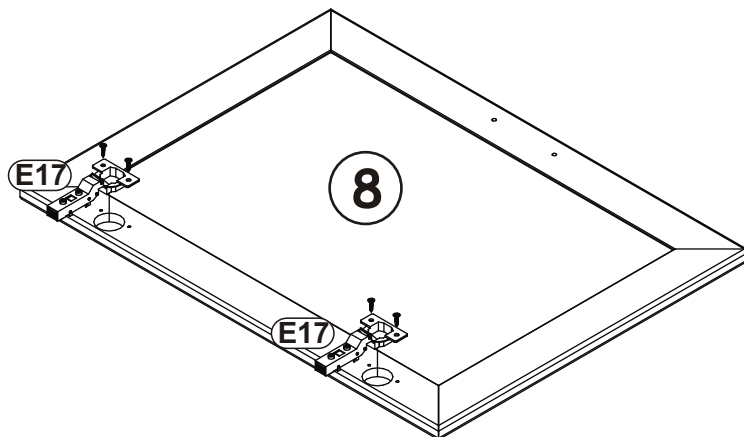
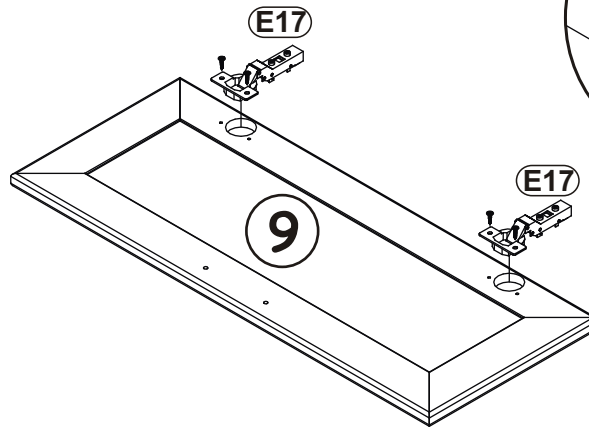
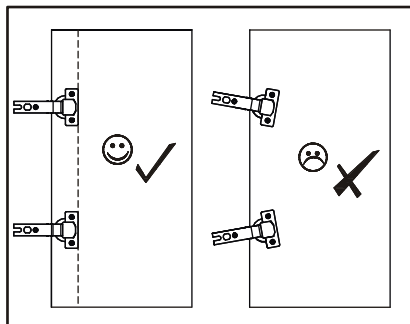
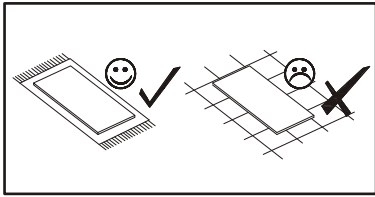
B4

x4

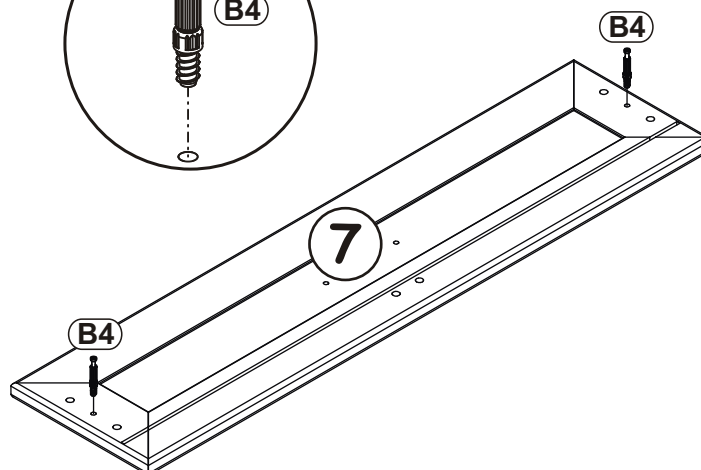
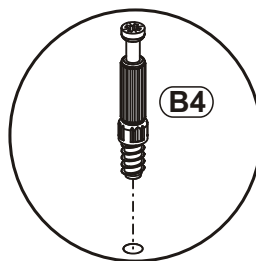
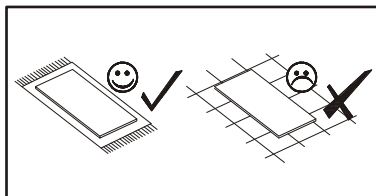


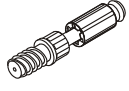
E17		D10	
x4	H=16	x8	USØ3,5x13

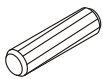
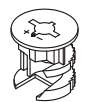
5



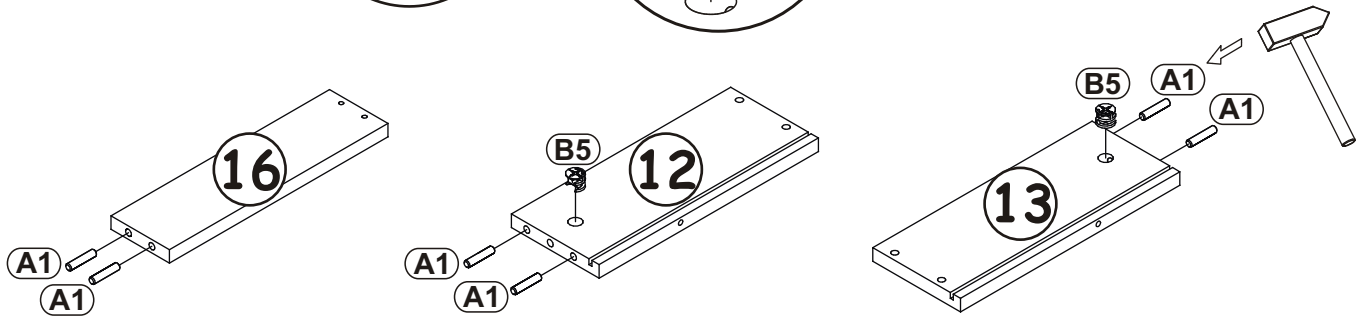
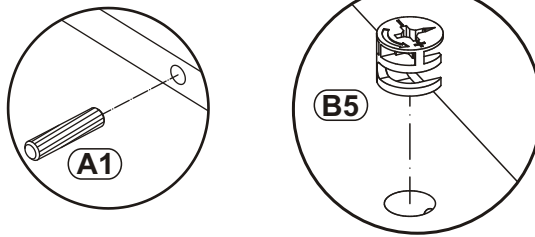
6



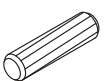
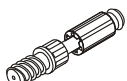

B4	
x2	

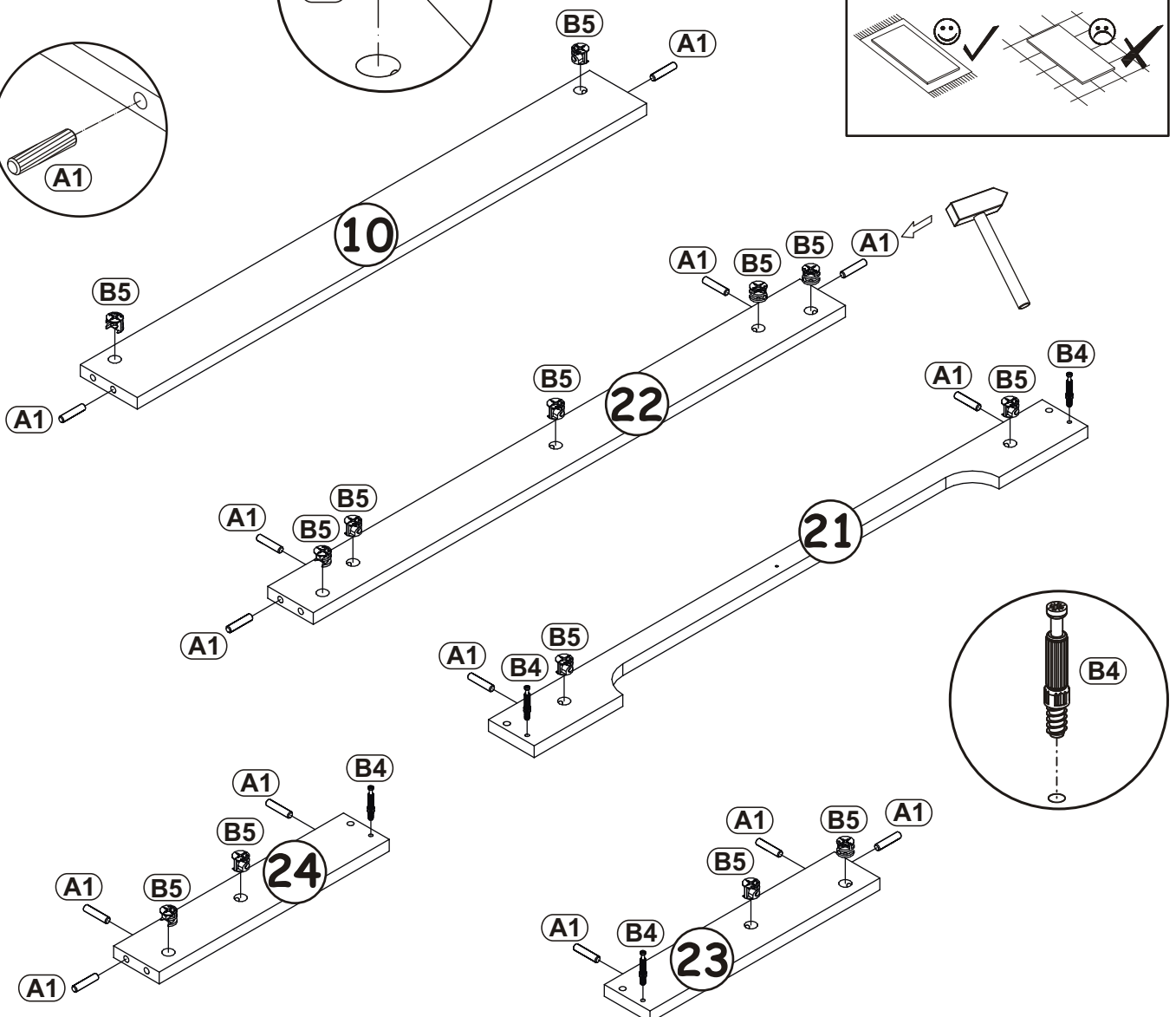
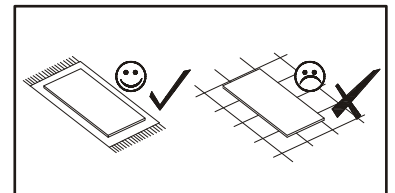
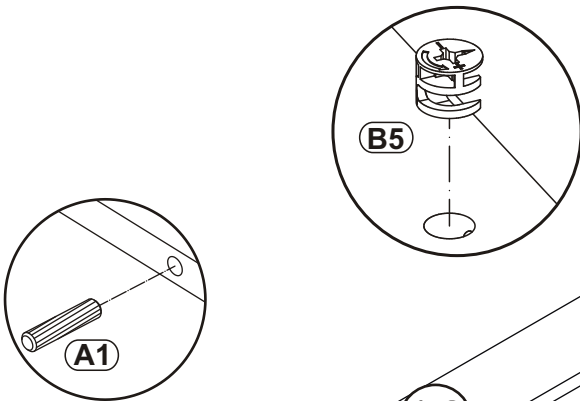
A1		B5	
x6	ø8x36	x2	ø15x12

7



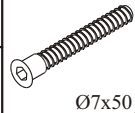

8

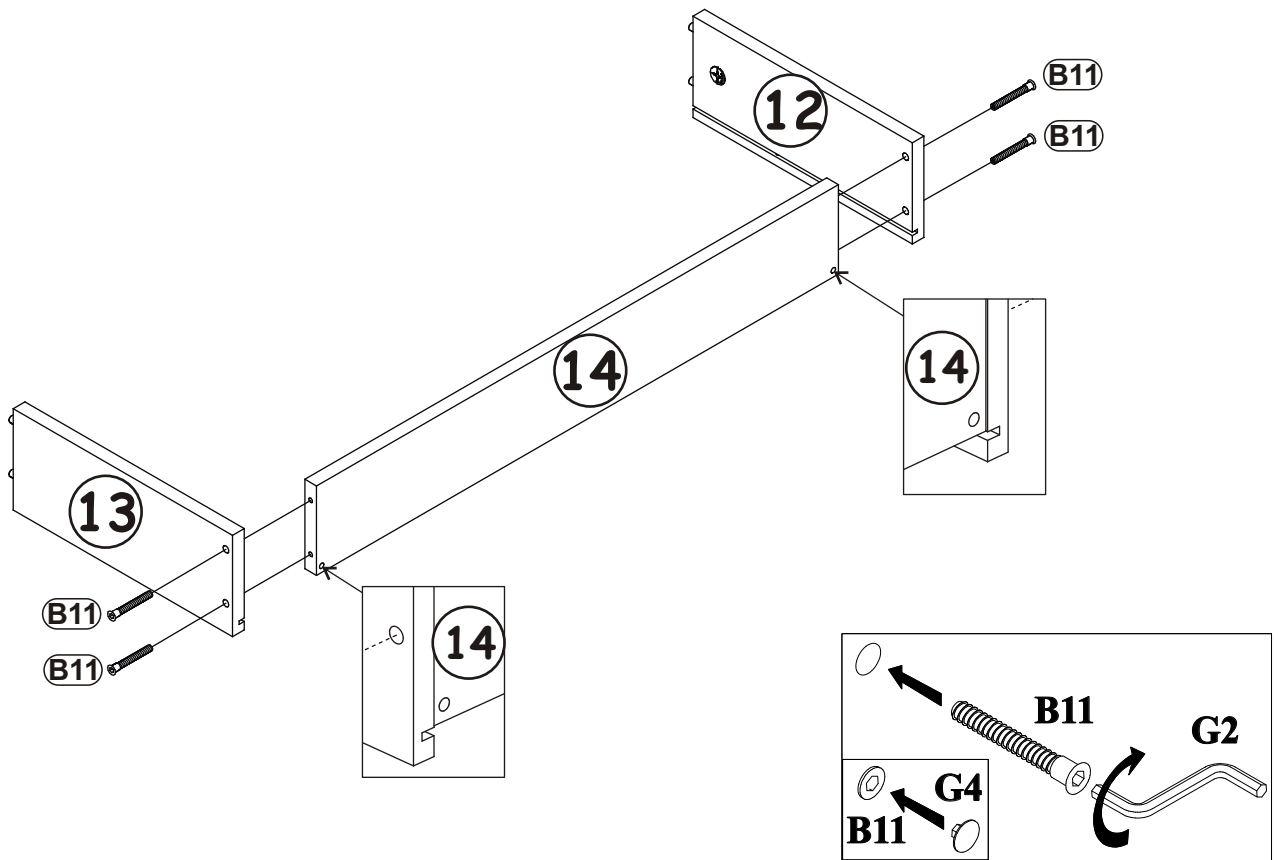
A1		B4		B5	
x14	ø8x36	x4		x13	ø15x12






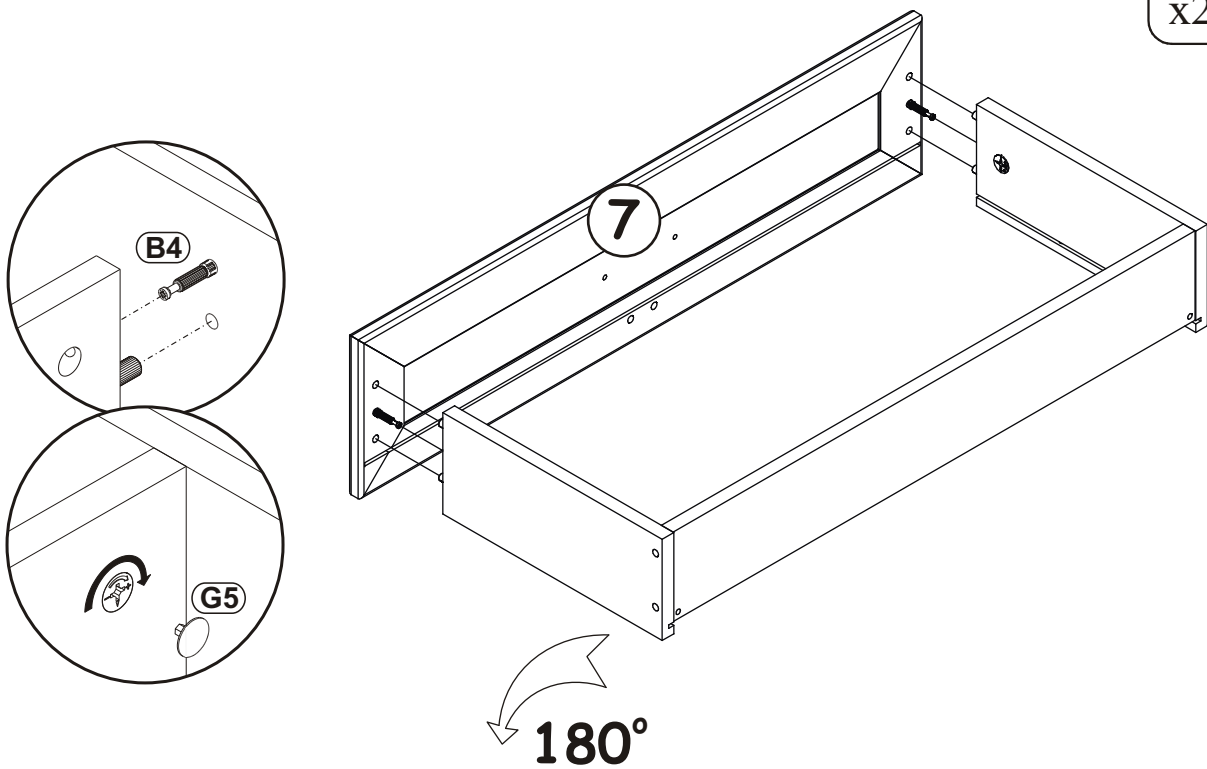
9

B11		G4	
x4	Ø7x50	x4	



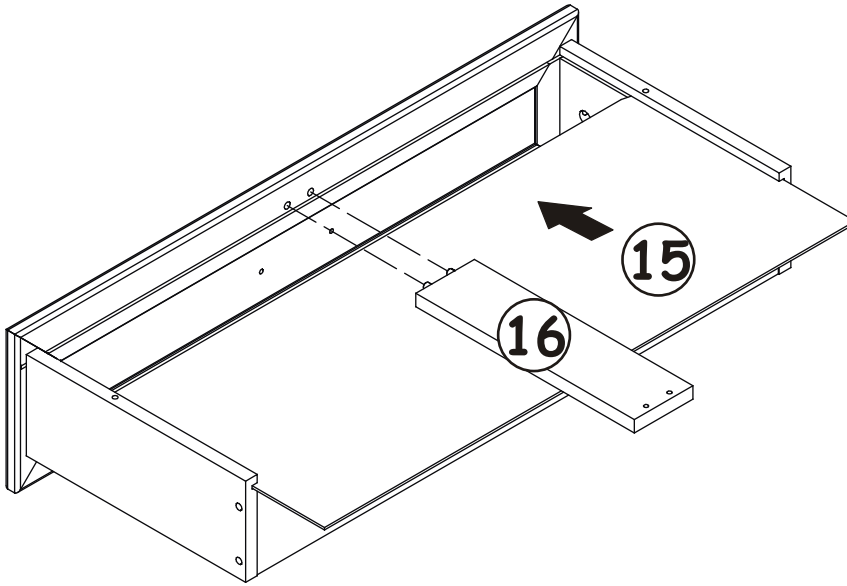
10

G5	
x2	

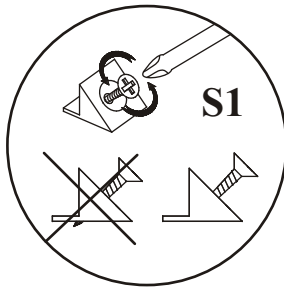
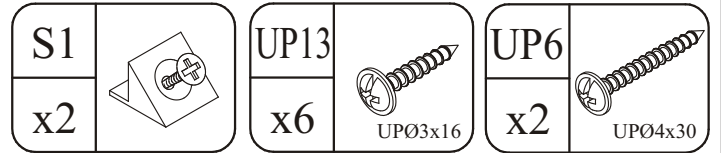




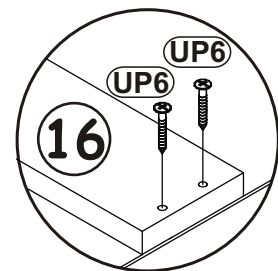
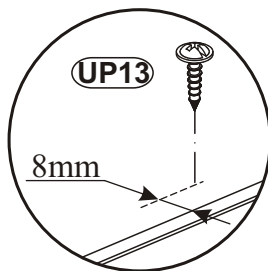
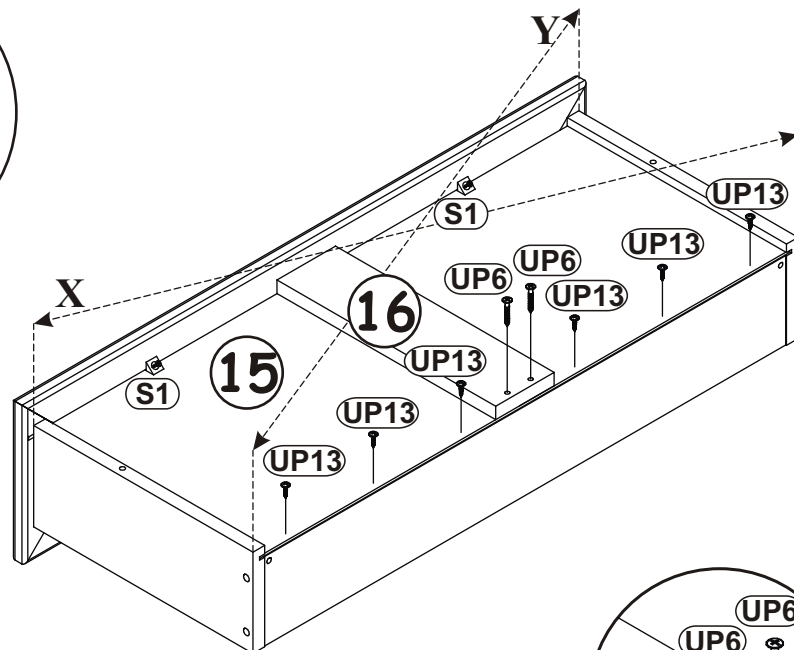
11





12

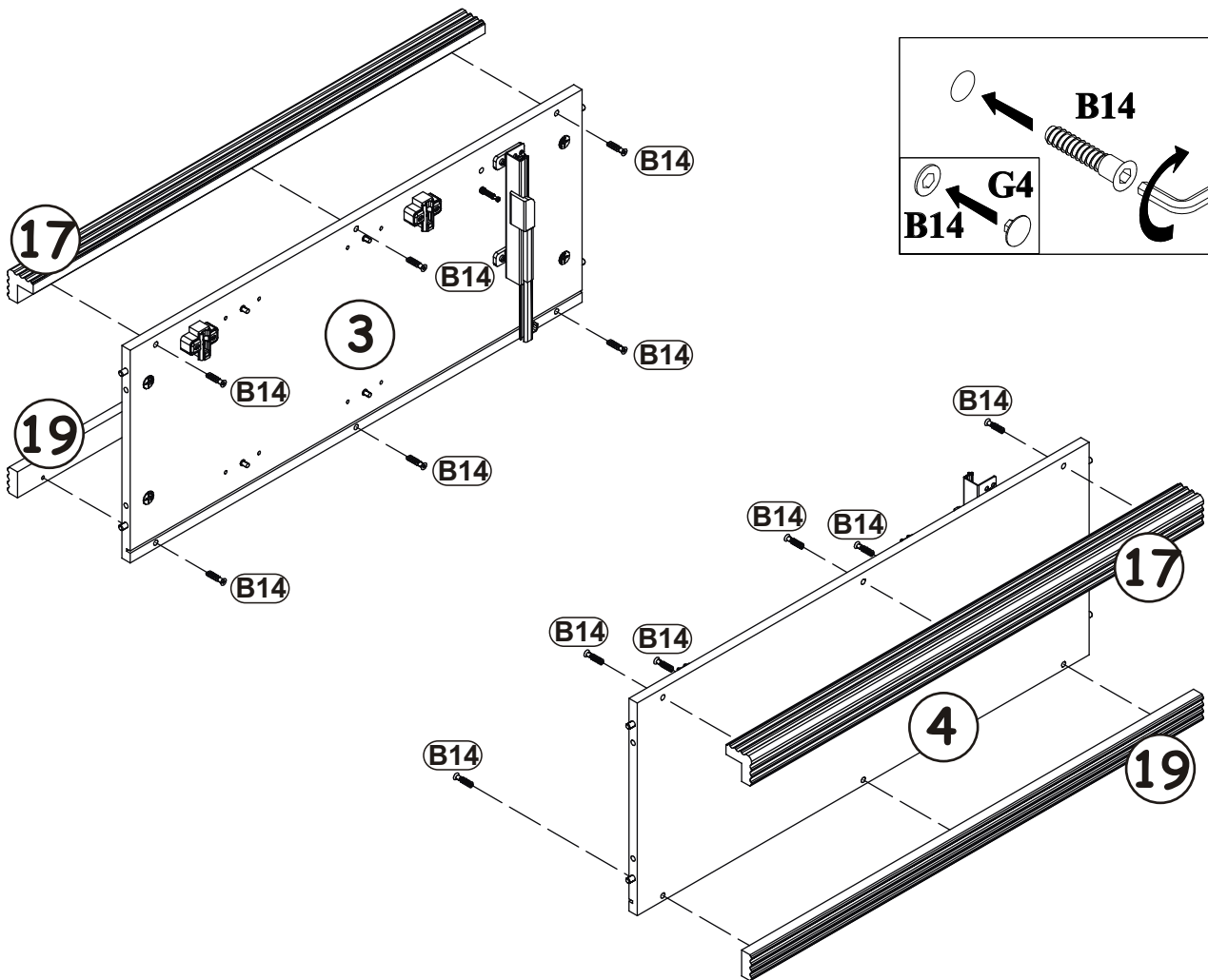


X=Y  $\uparrow$  90°




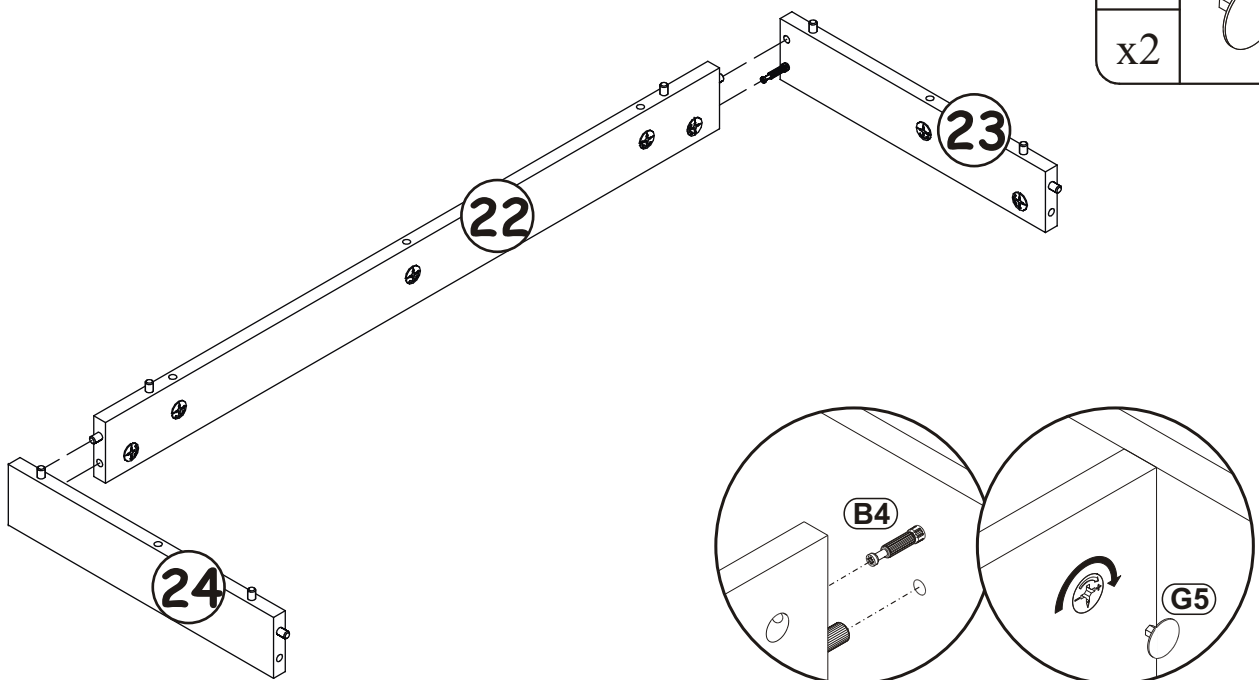
13

B14		G4	
x12	Ø7x30	x12	




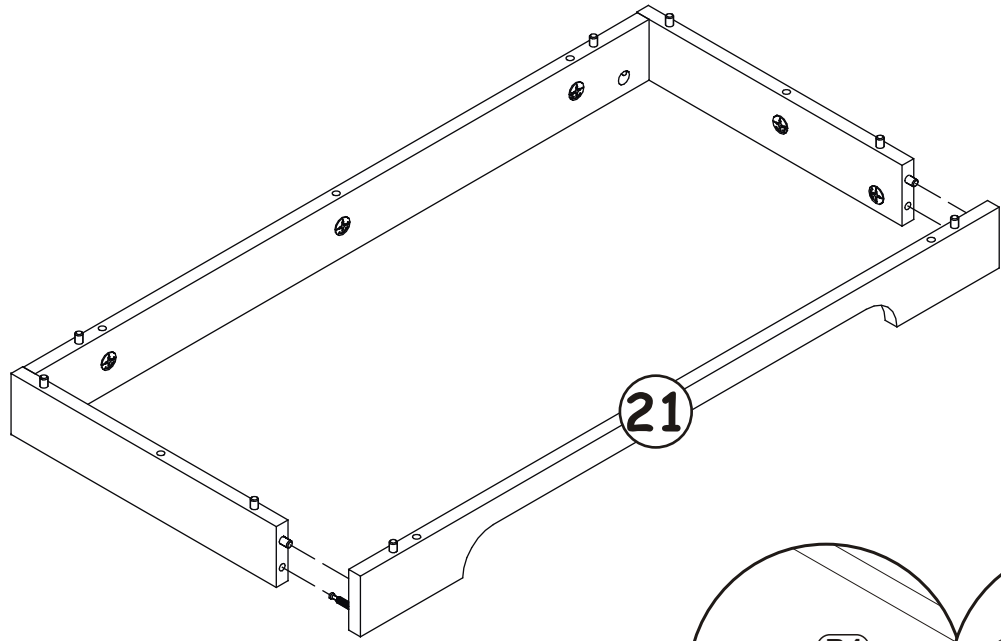
14

G5	
x2	

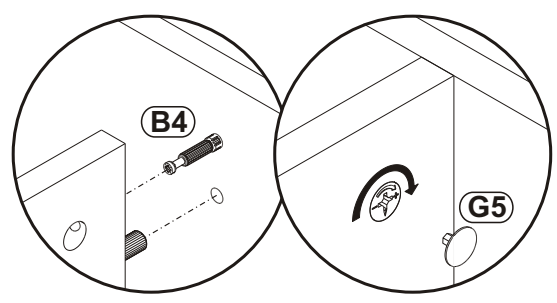


15


G5	
x2	

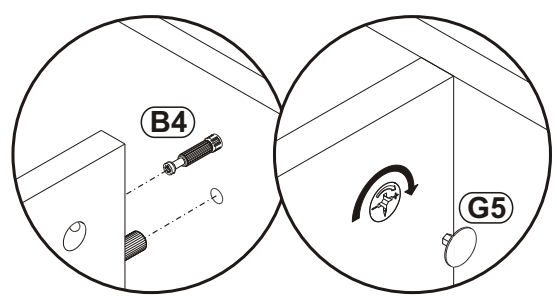
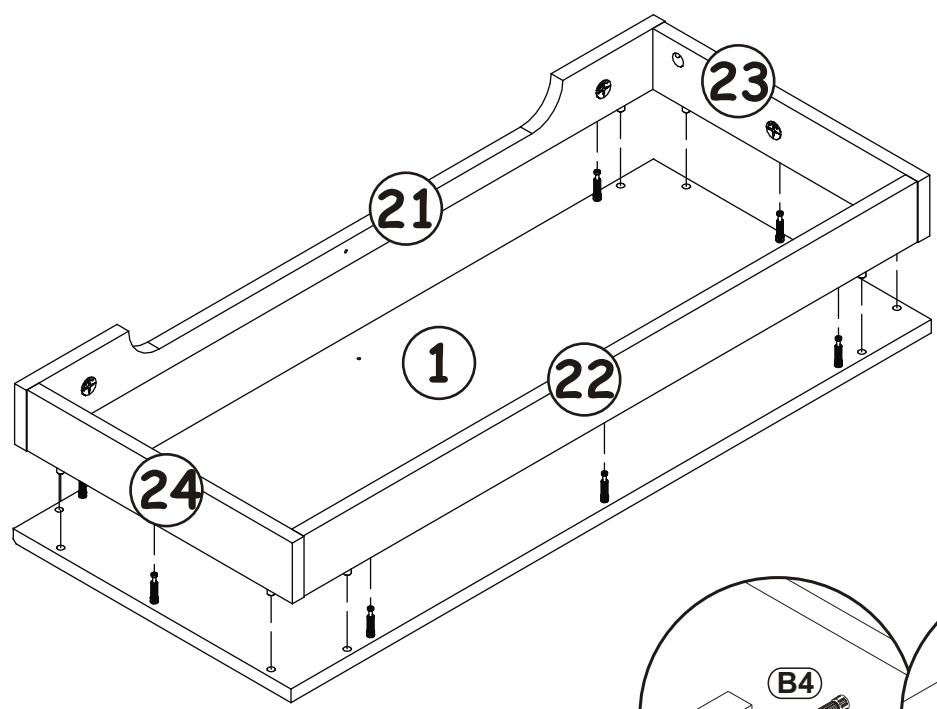


180°

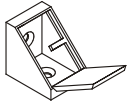




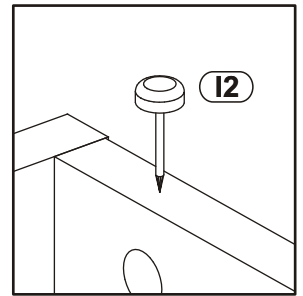
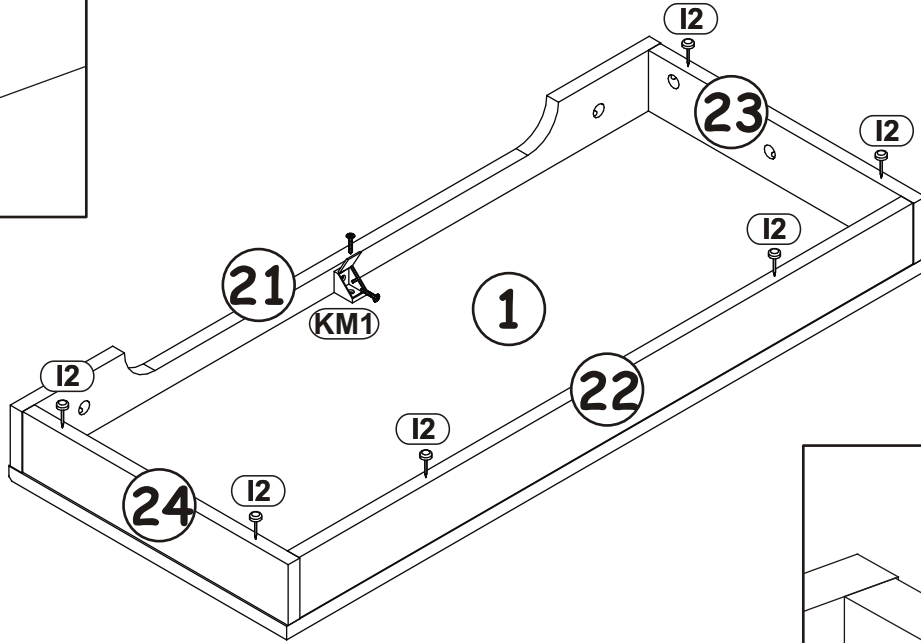
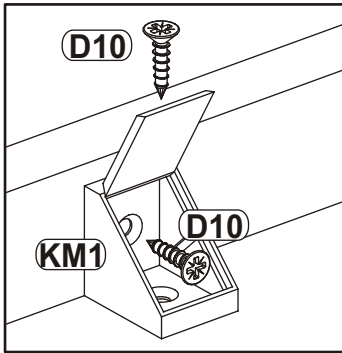
16

G5	
x7	

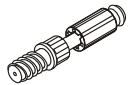
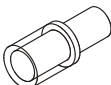


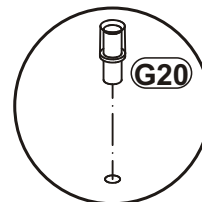
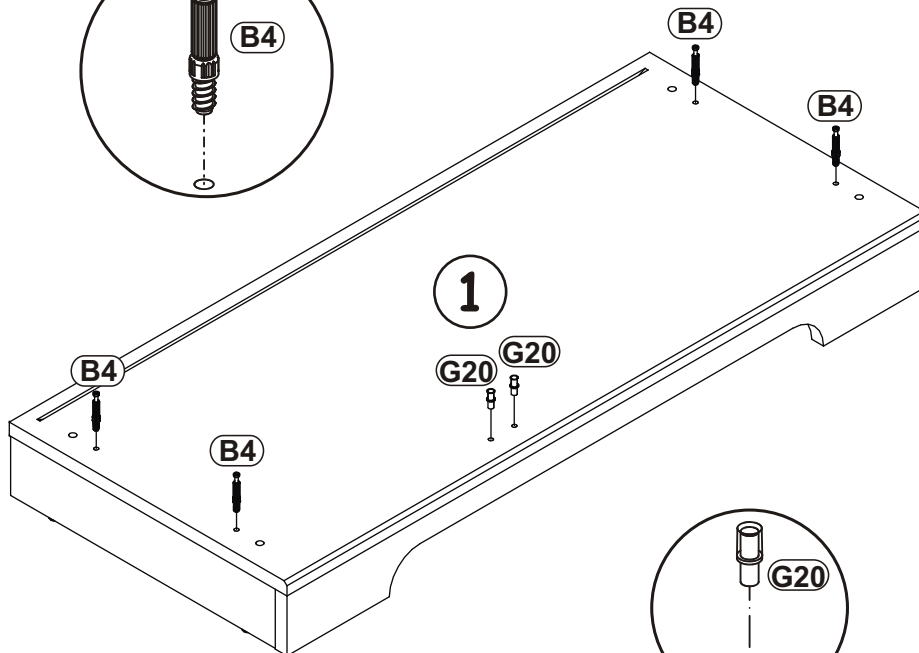
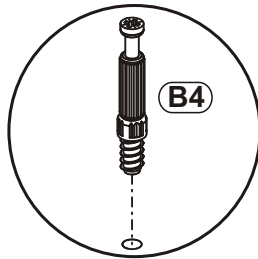
17

KM1		D10		I2	
x1		x2	USØ3,5x13	x6	

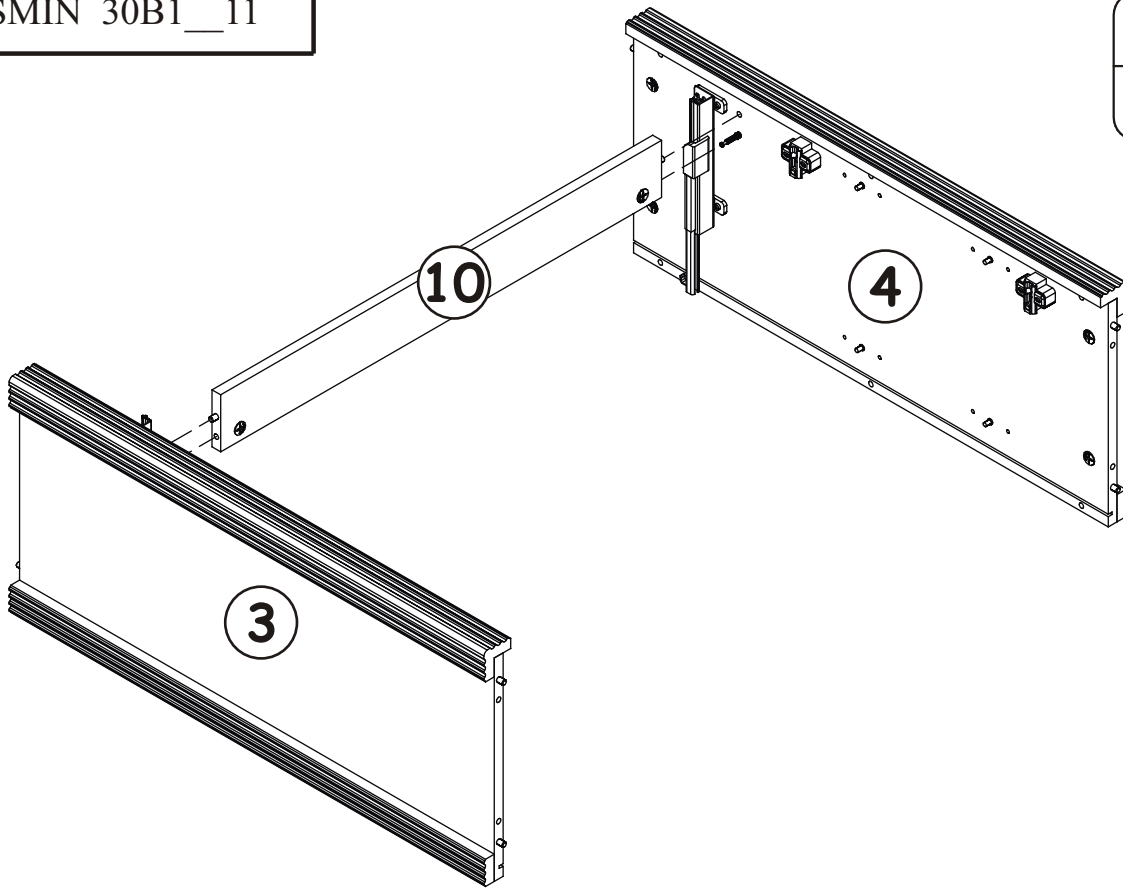



18

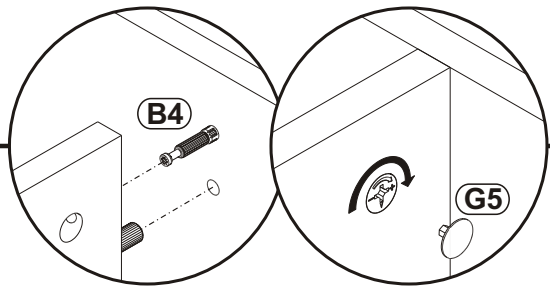
B4		G20	
x4		x2	



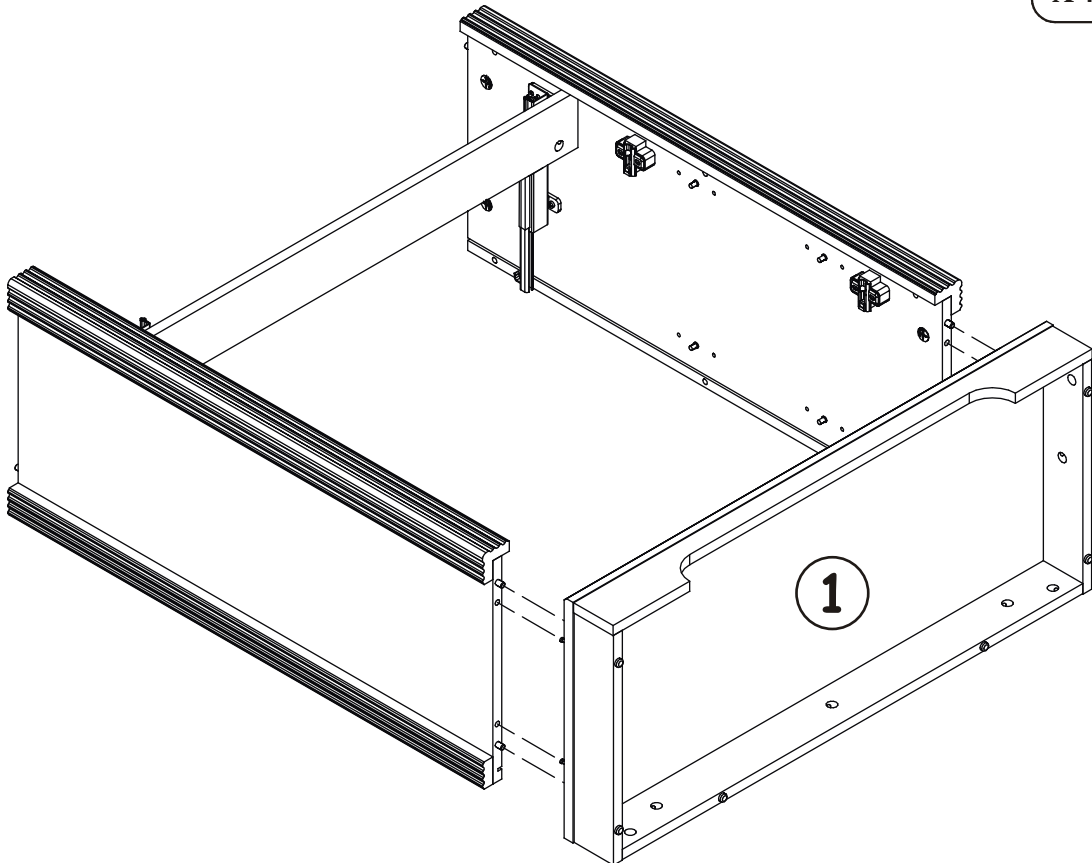
19




G5	
x2	

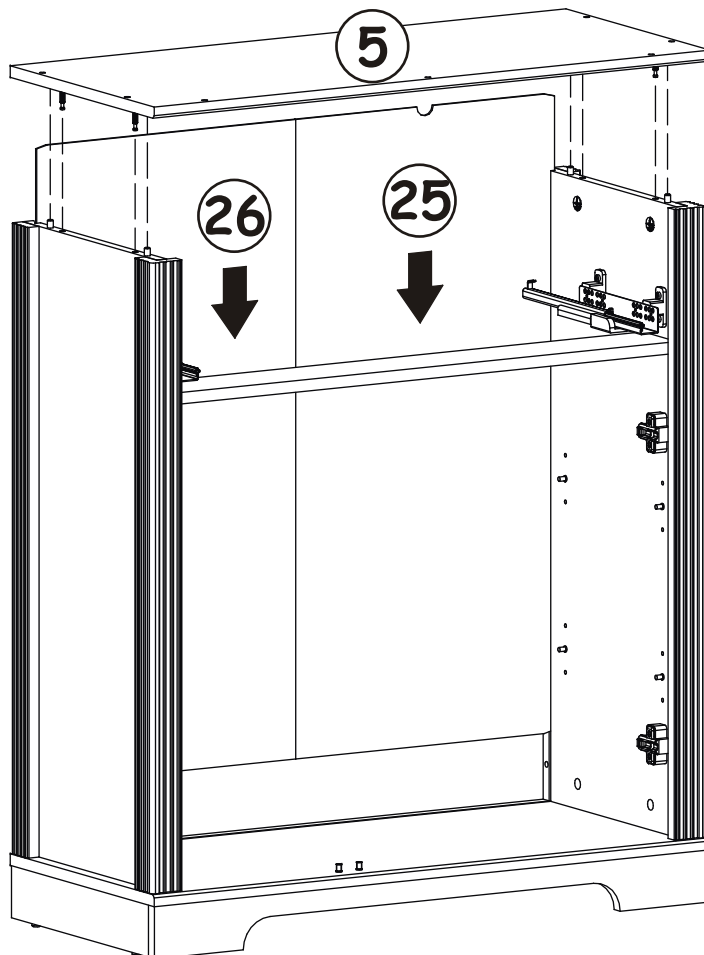
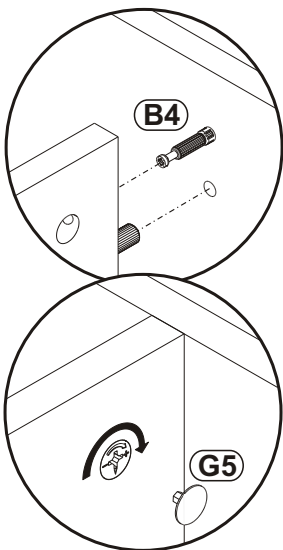


20



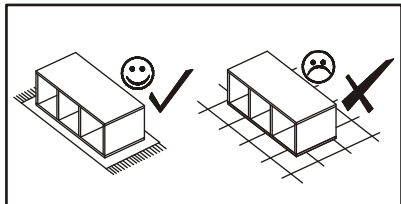
G5	
x4	

21



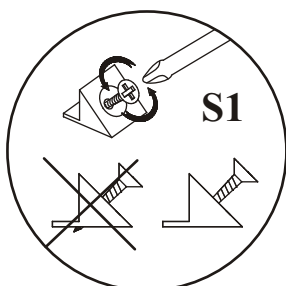
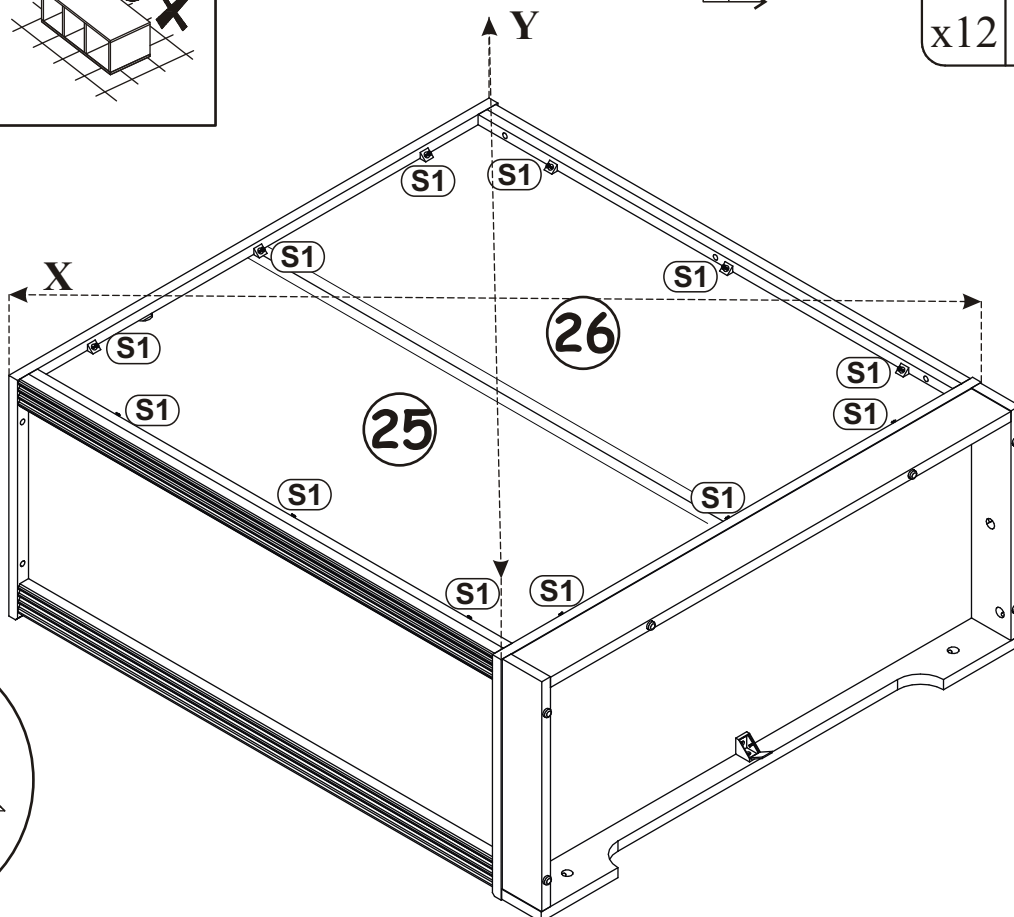
G5	
x4	

22

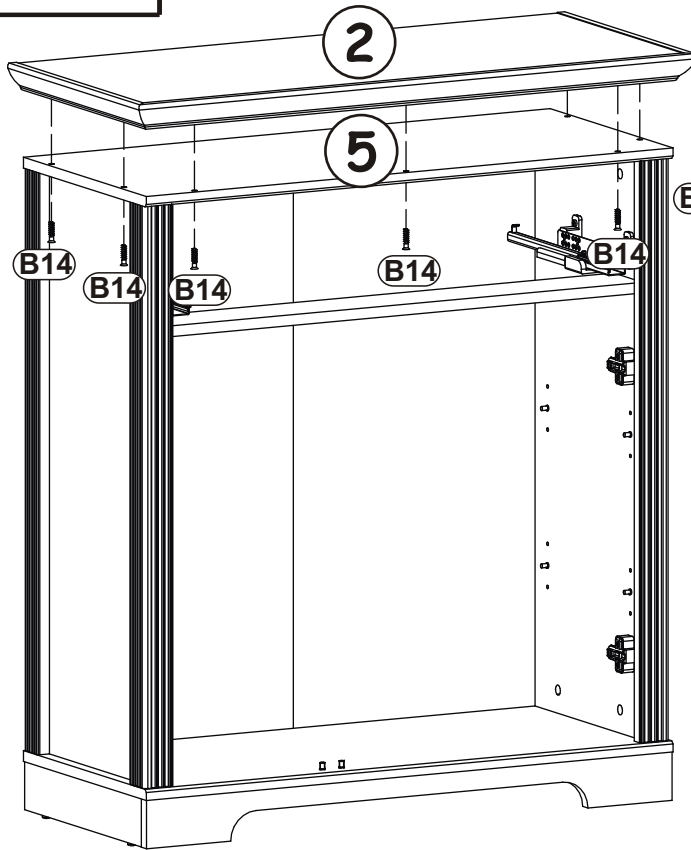


$X=Y$   $90^\circ$

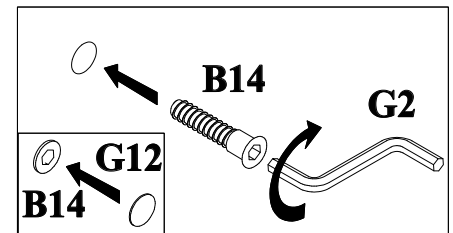
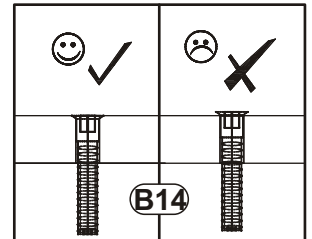
S1	
x12	



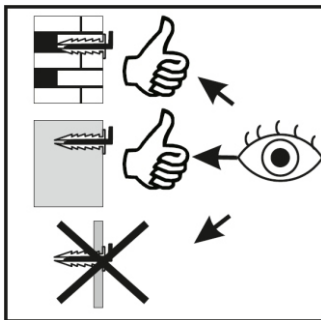
23



B14		G12	
x7	Ø7x30	x7	Ø14



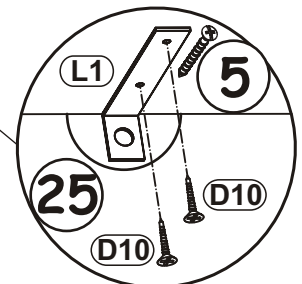
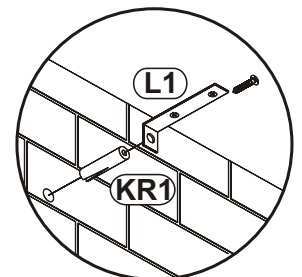
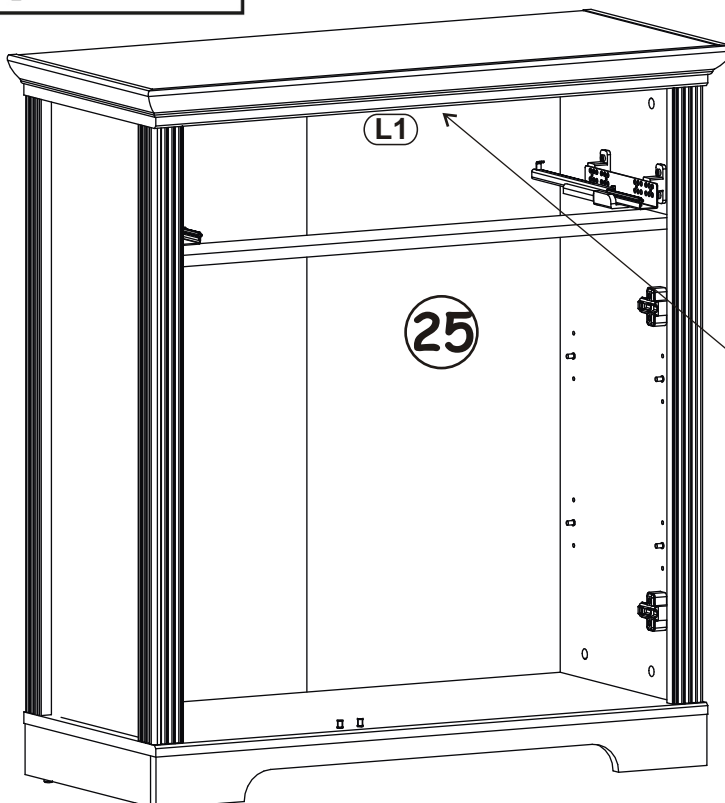
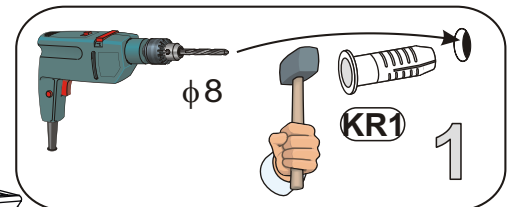
24



L1	
x1	

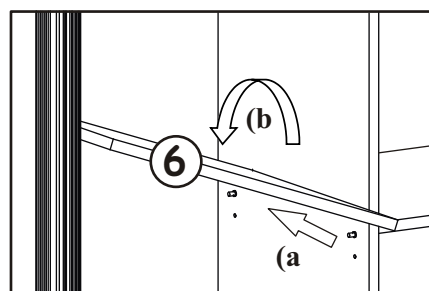
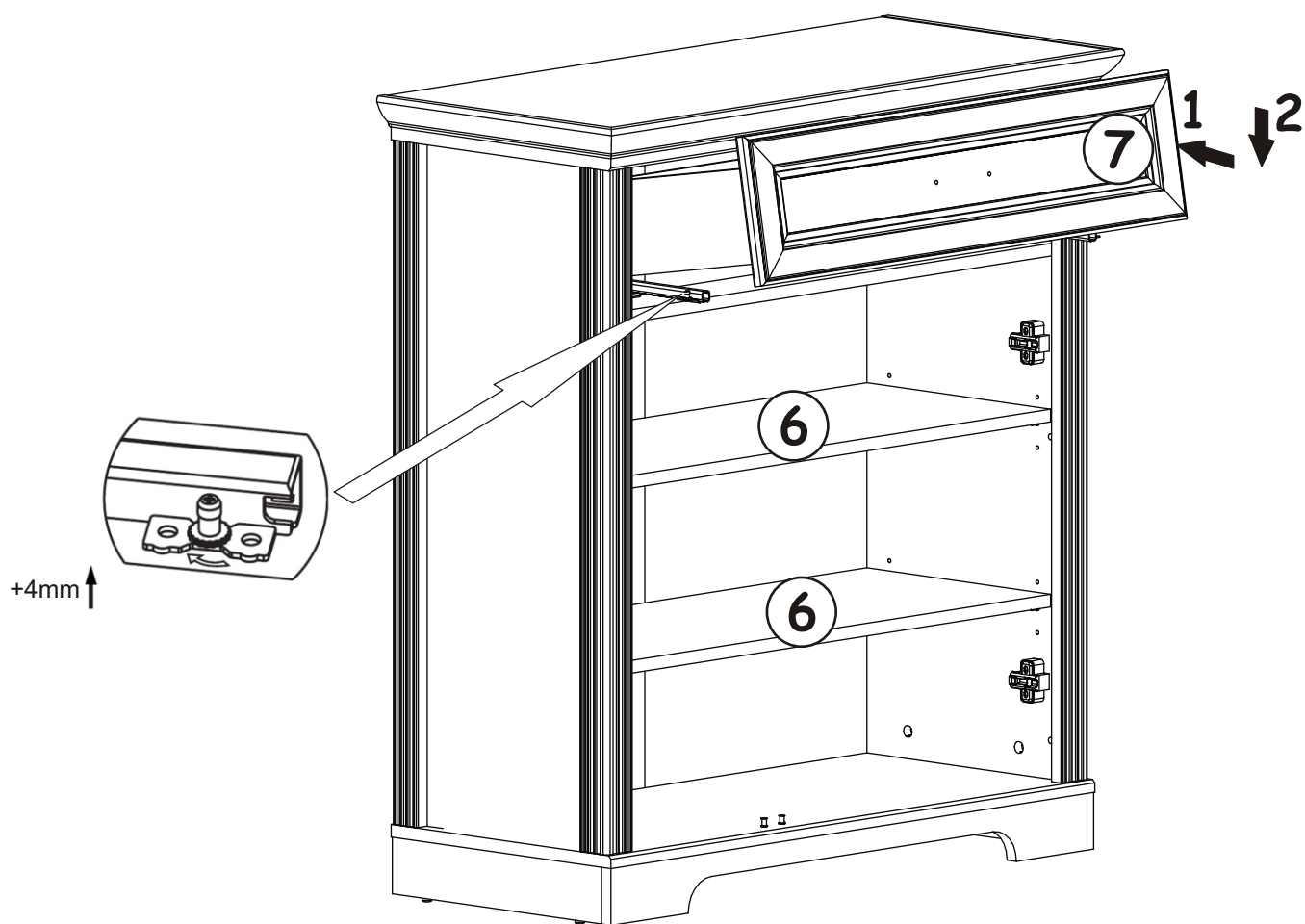
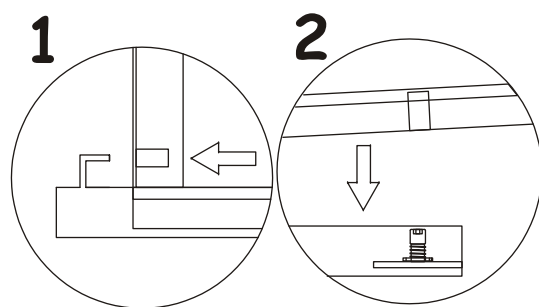
KR1	
x1	

D10	
x2	USØ3,5x13

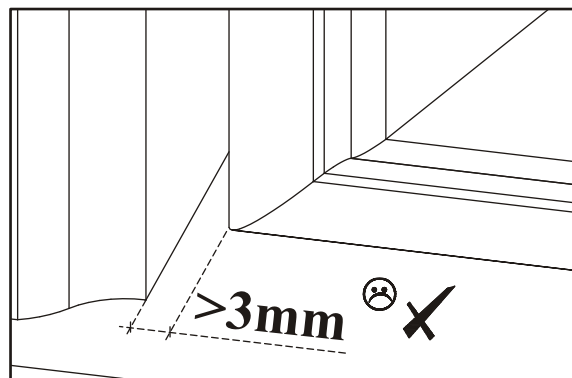
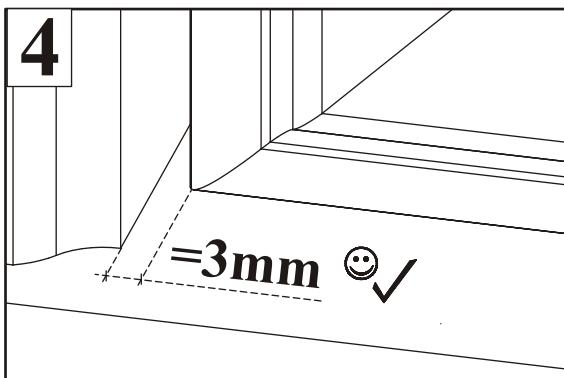
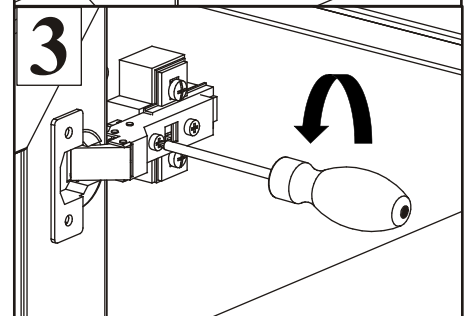
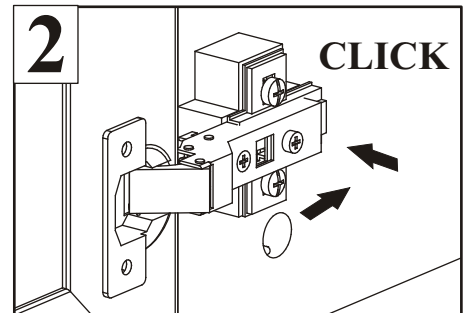
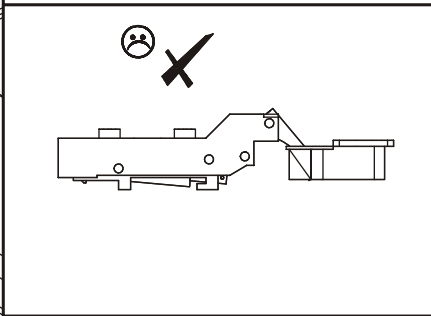
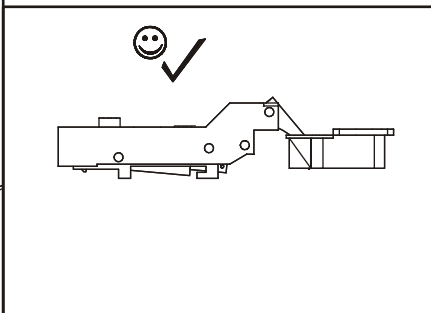
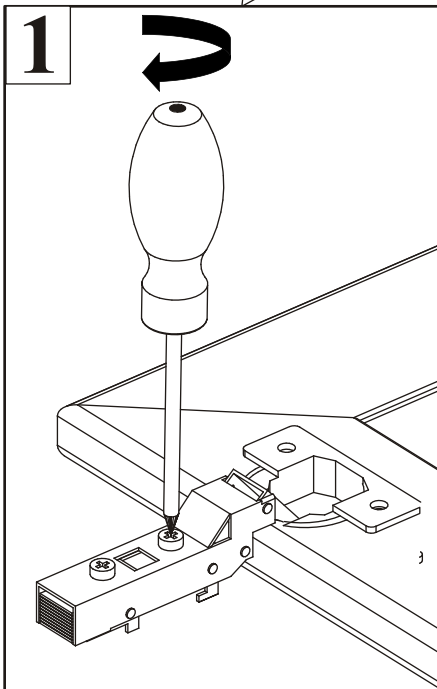
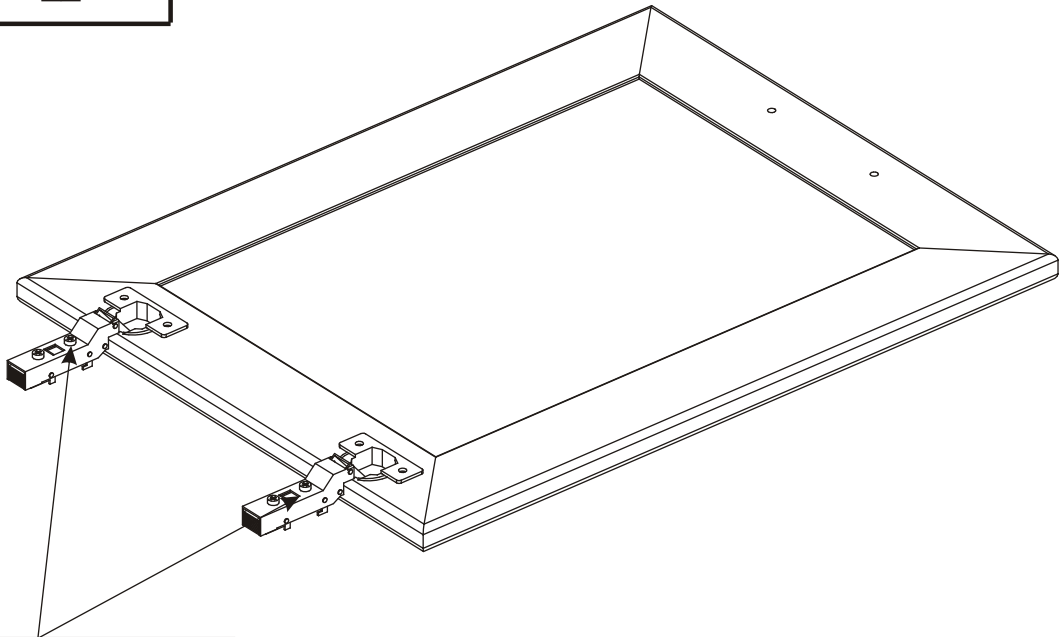




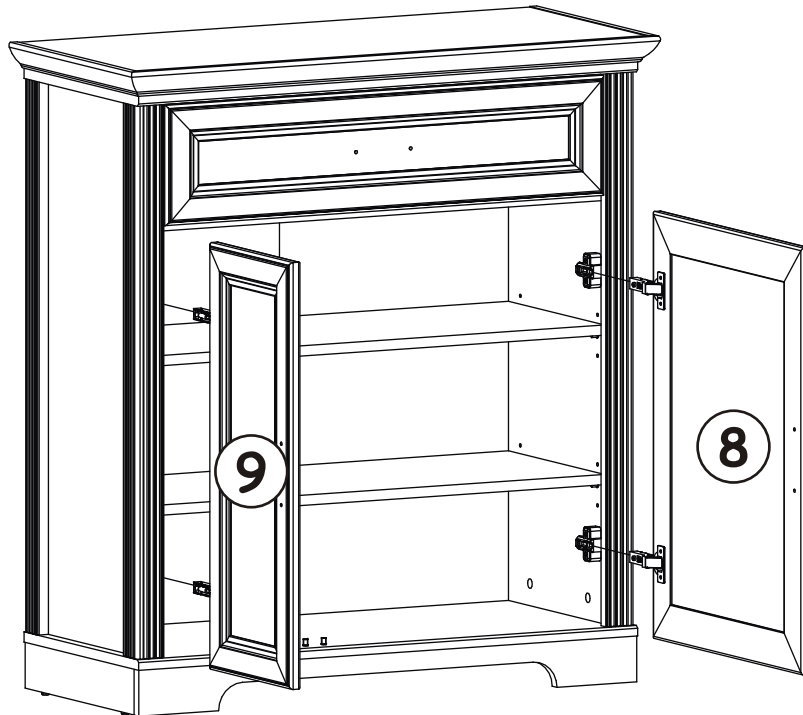
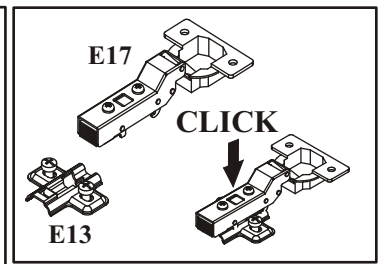
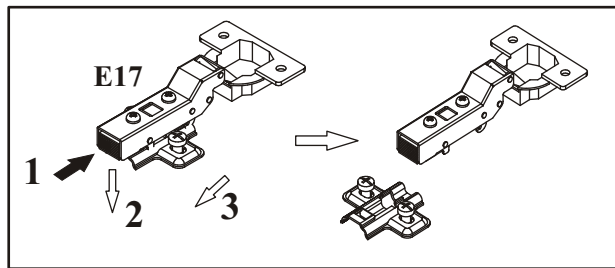
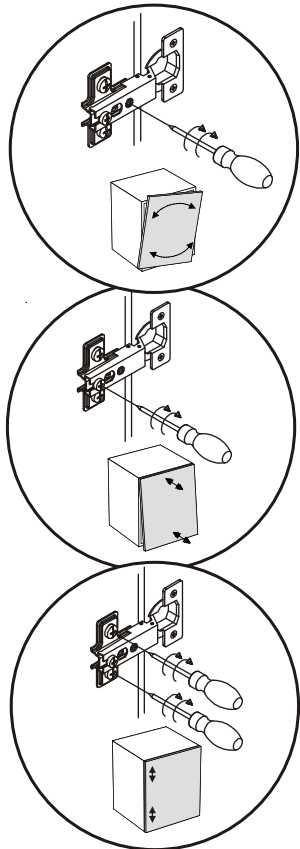
25



26



27



28

