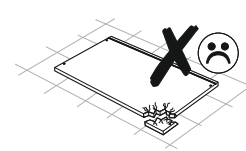
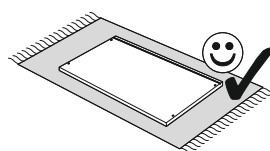
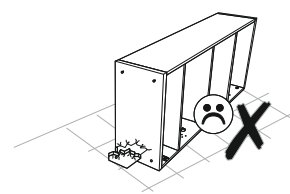
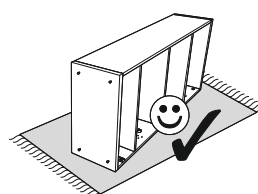
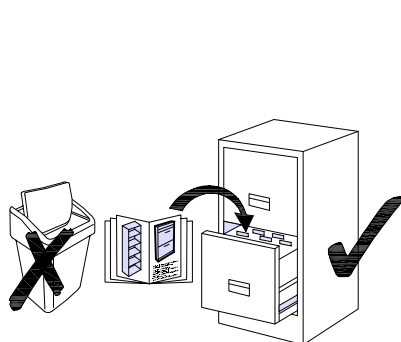
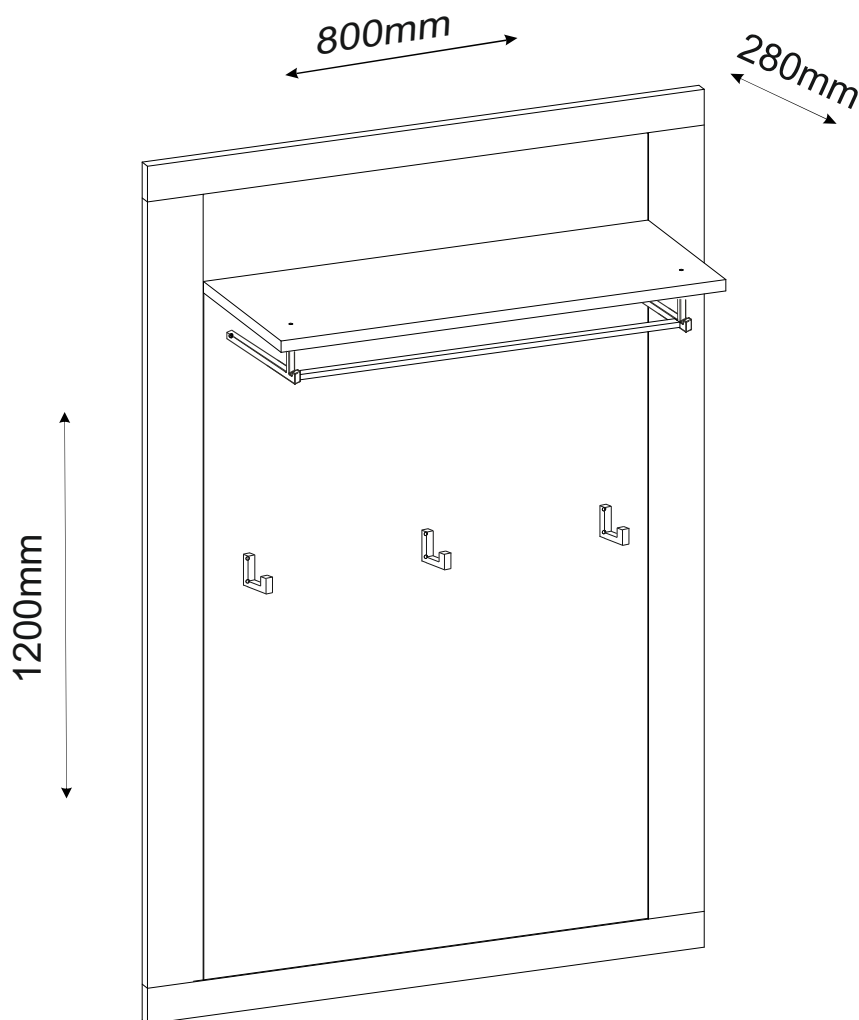
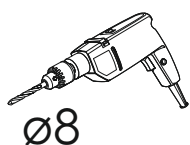
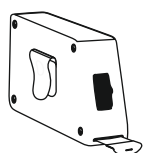
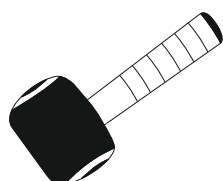
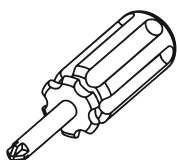
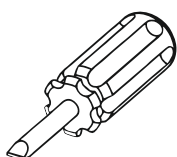
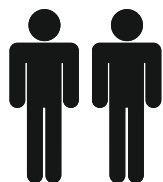
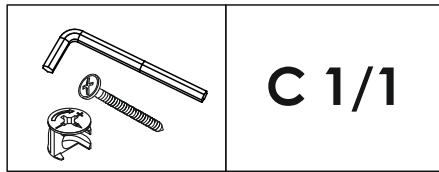




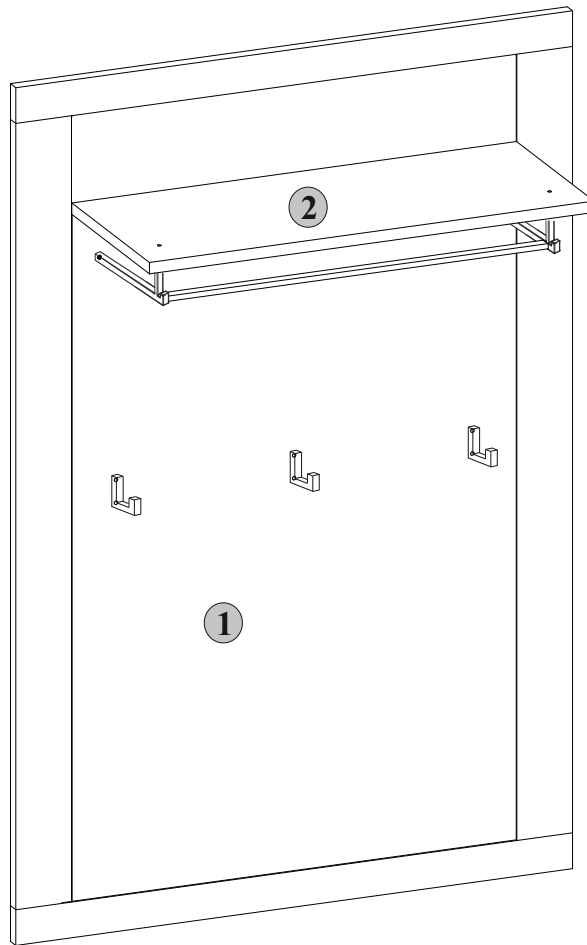
# LOLA

# Art. Nr. 14160031/04

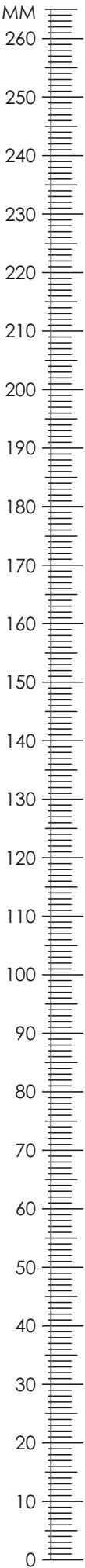
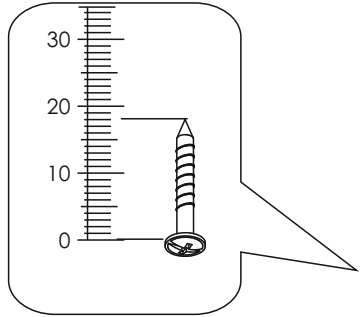




<b>1</b>	800	1200	18	x1	1/1
<b>2</b>	640	262	19	x1	1/1



# Art. Nr. 14160031/04

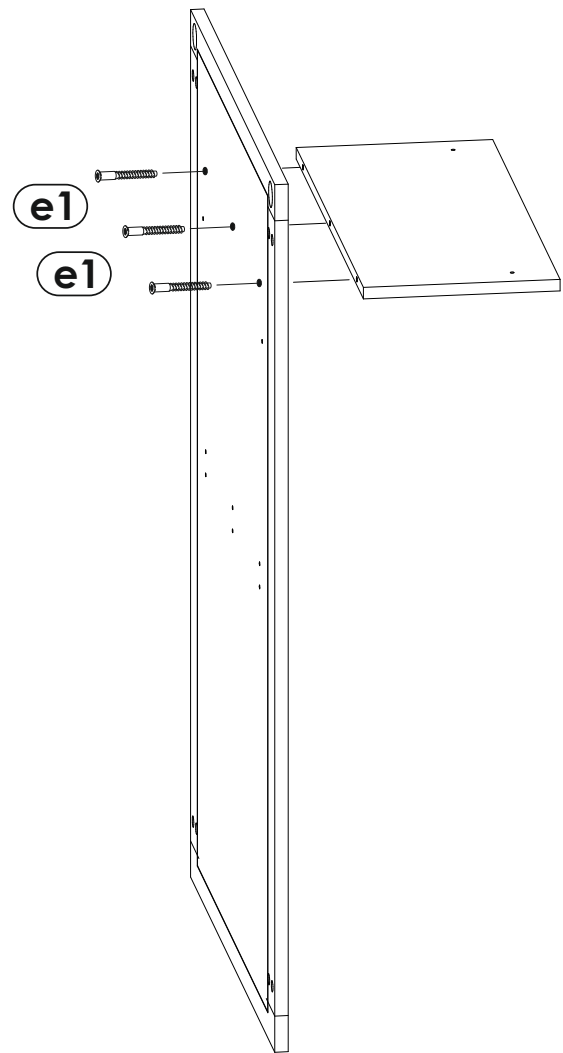
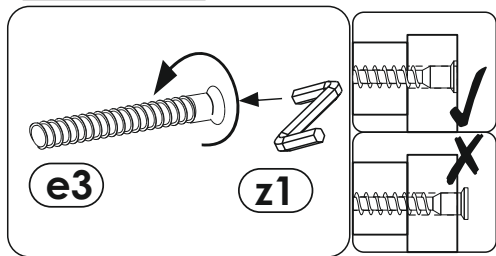
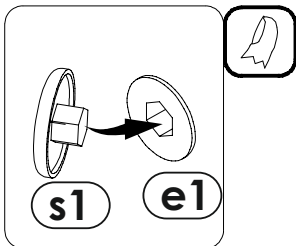
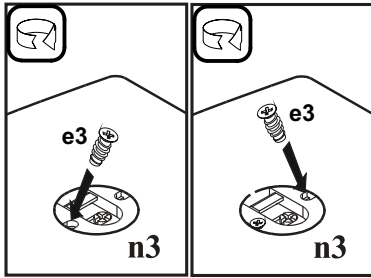
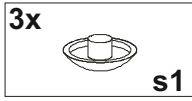
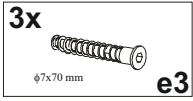
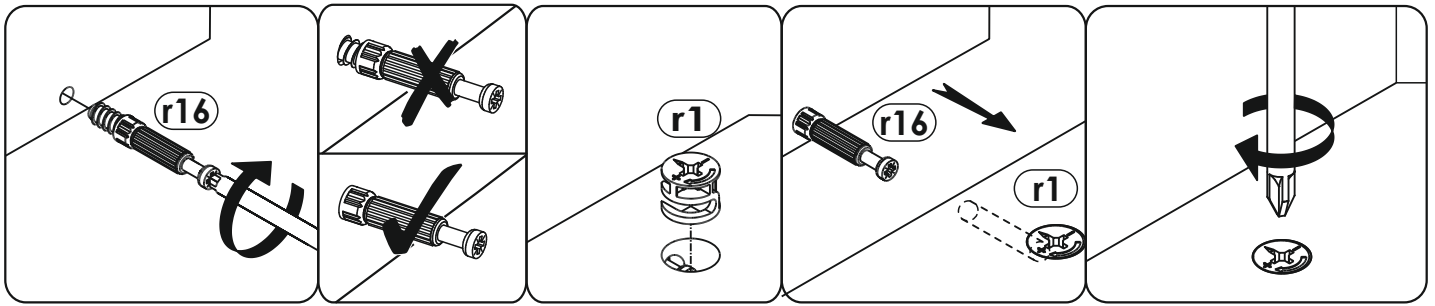


**A**

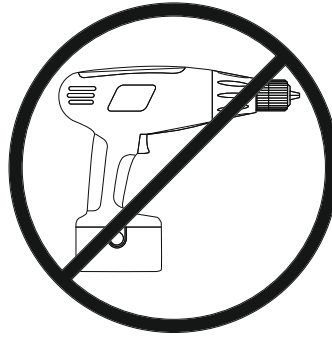
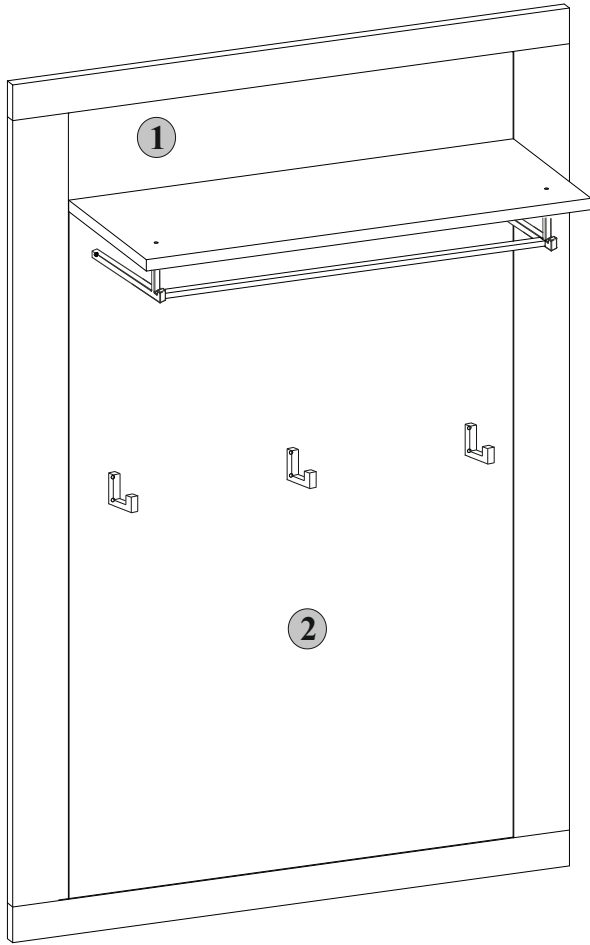
<b>3x</b>  φ7x70 mm <b>e1</b>	<b>3x</b>  <b>s1</b>	<b>2x</b>  φ8x40 mm <b>t14</b>
--	----------------------------	---

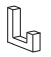
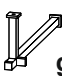
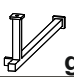
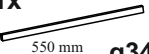

**B**

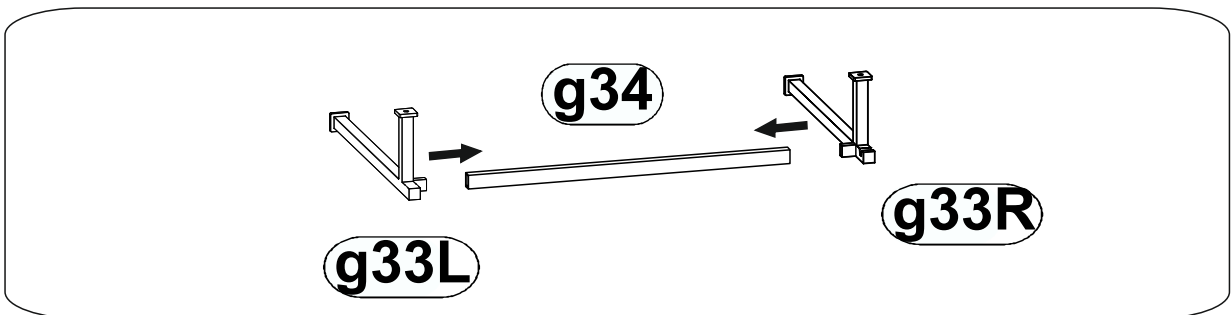
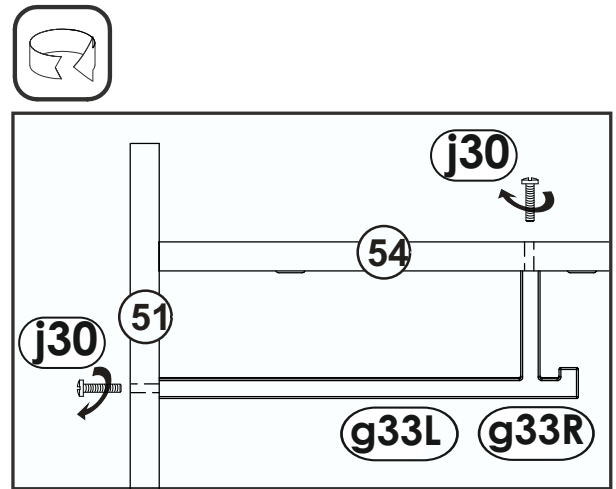
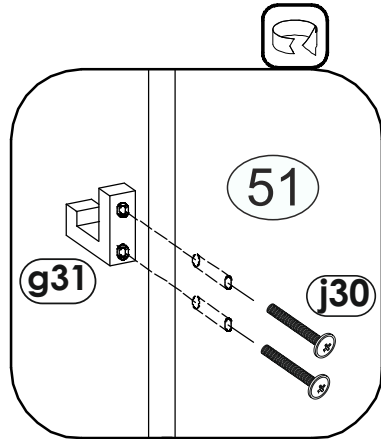
<b>1x</b>  <b>g33L</b>	<b>1x</b>  <b>g33R</b>	<b>3x</b>  <b>g31</b>
<b>1x</b>  550 mm <b>g34</b>	<b>10x</b>  φ4x25 mm <b>j30</b>	



**2**



- 3x  **g31**
- 1x  **g33L**
- 1x  **g33R**
- 1x  550 mm **g34**
- 4x   $\phi 4 \times 25$  mm **j30**



**3**

