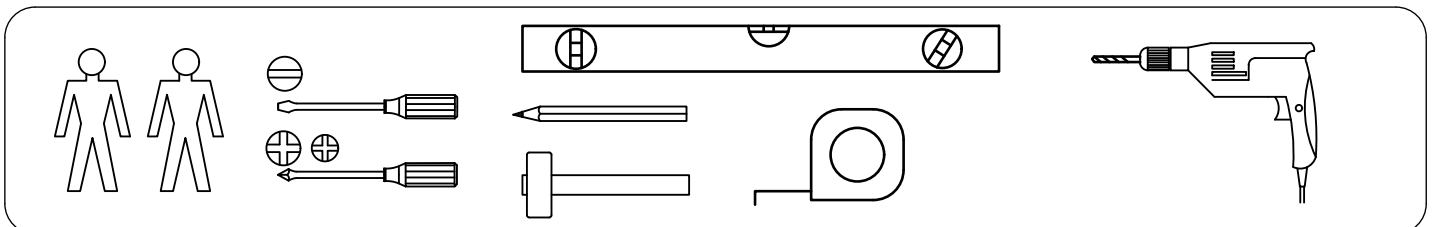
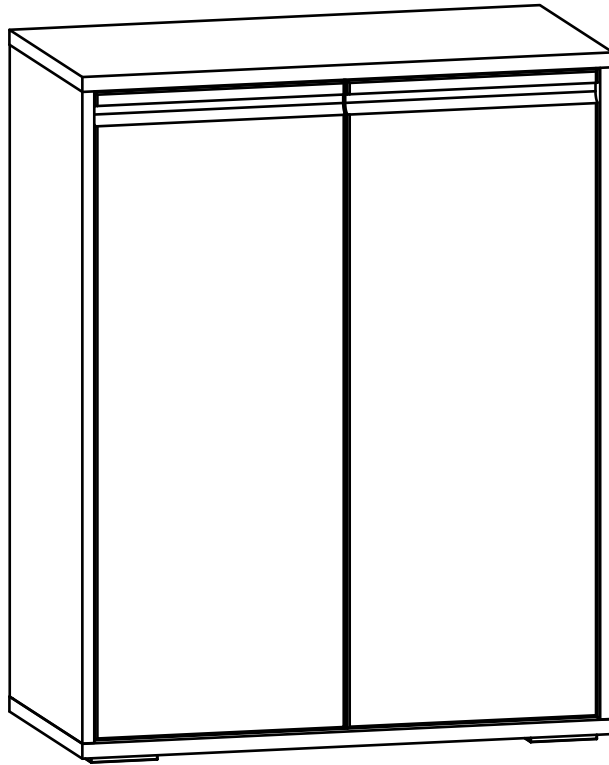
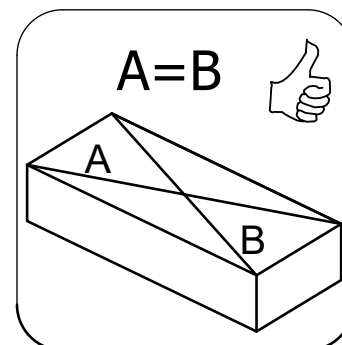
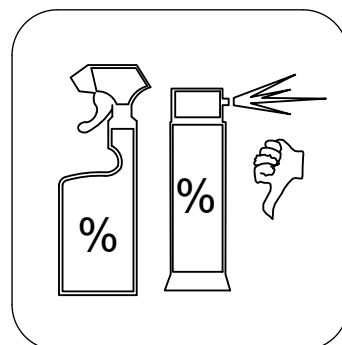
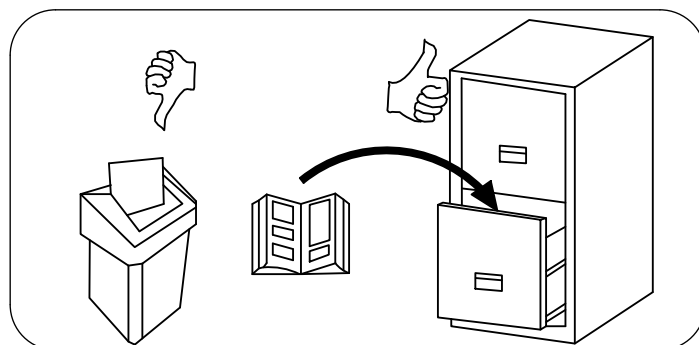
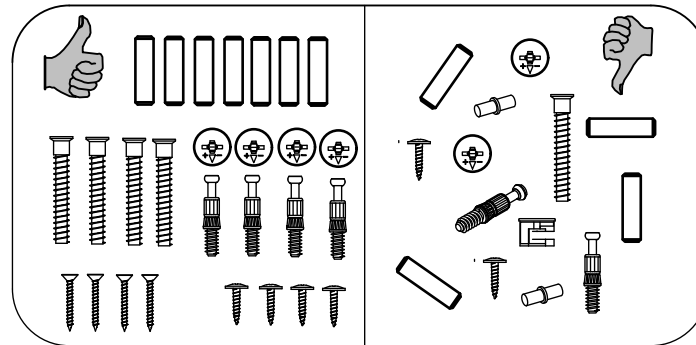
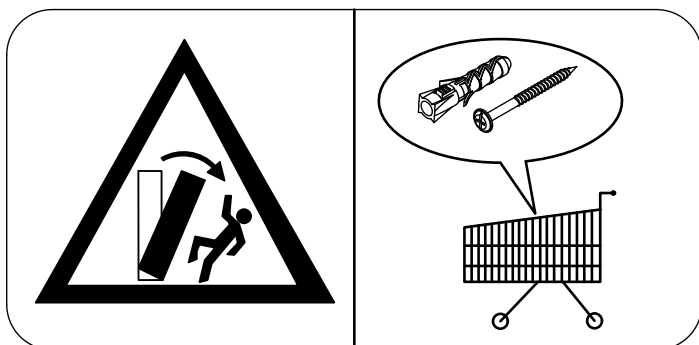
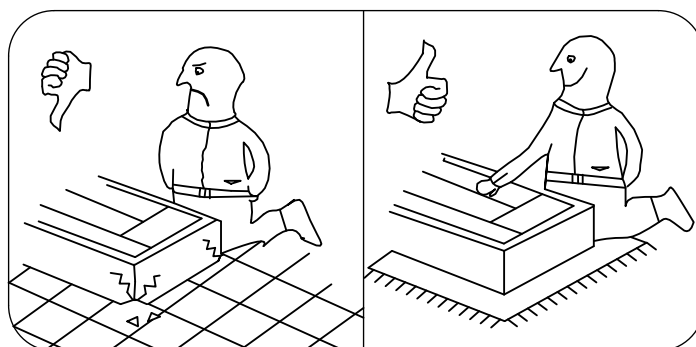
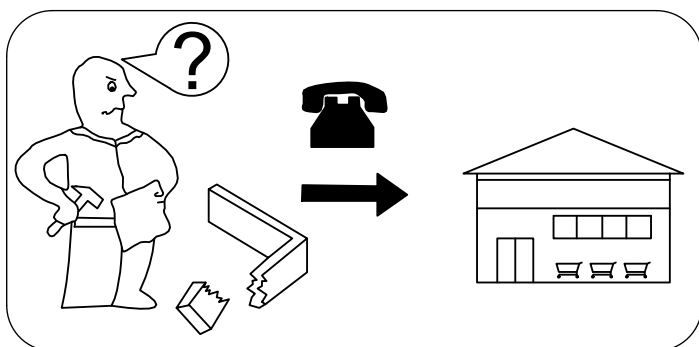
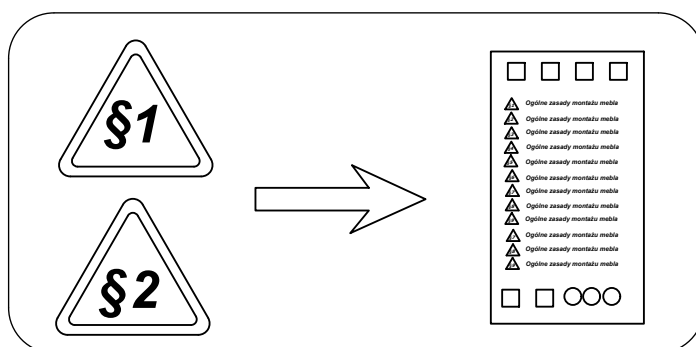
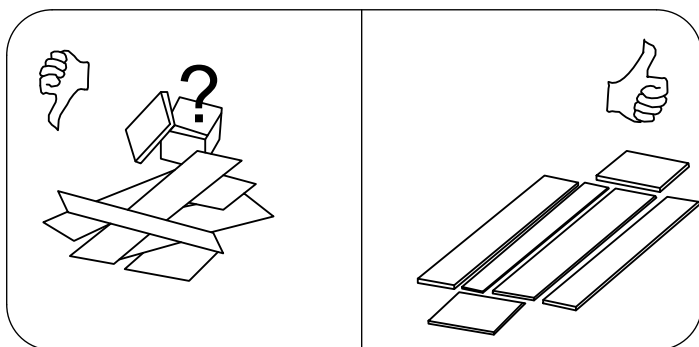
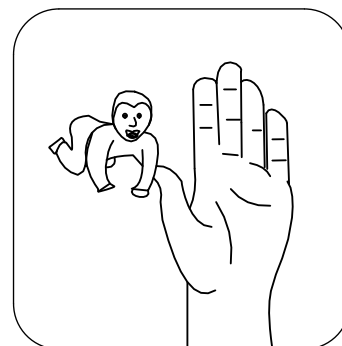
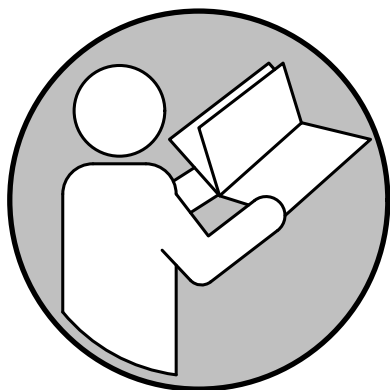
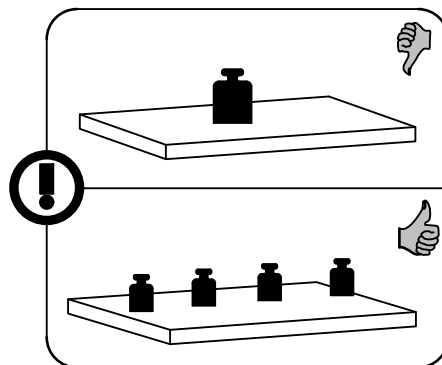
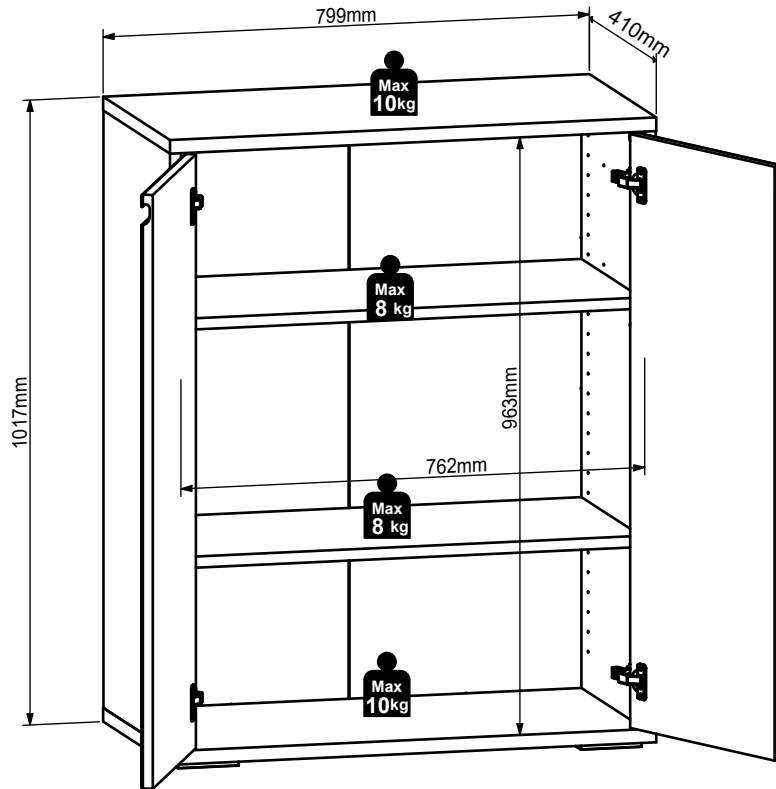


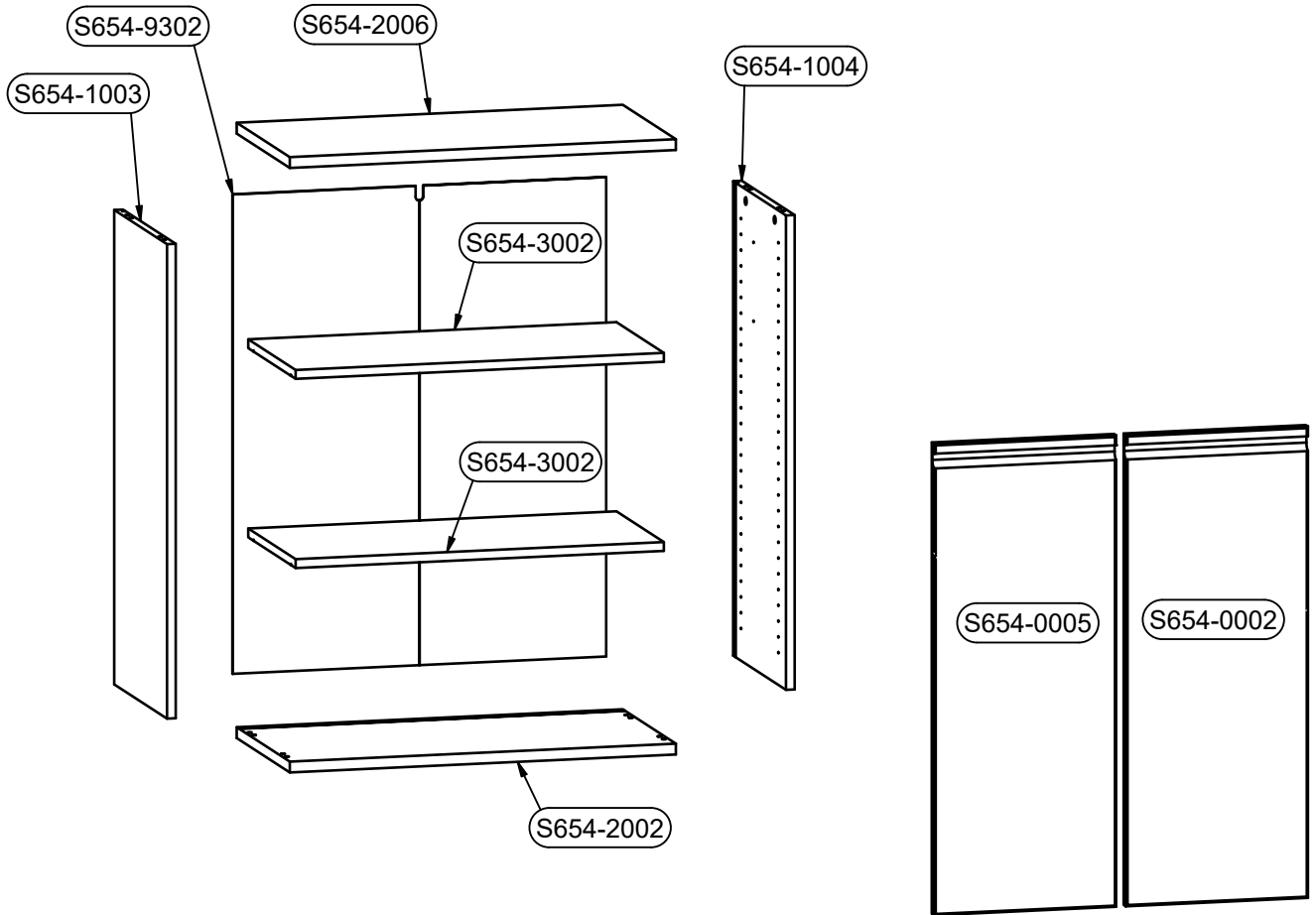
24270316/07



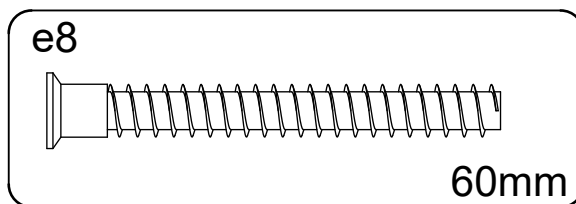
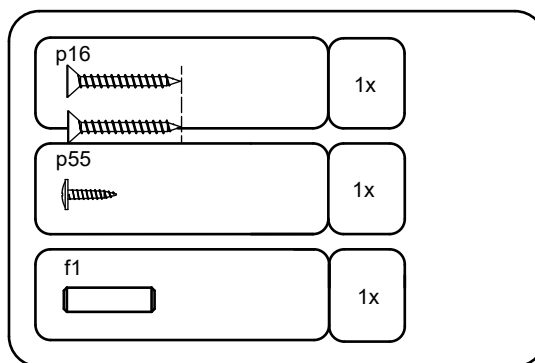
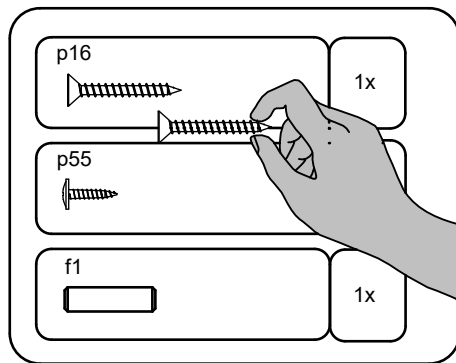




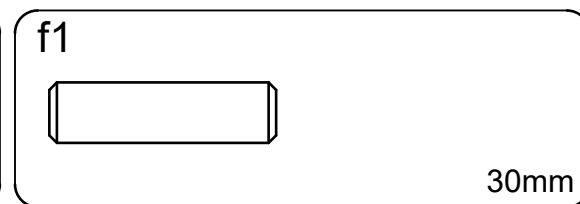
B1	B2	C1	C2	C3	C4	D
S654-1003	-	963	408	18	1	2/2
S654-1004	-	963	408	18	1	2/2
S654-2002	-	799	410	22	1	1/2
S654-2006	-	799	410	22	1	1/2
S654-3002	-	762	366	18	2	1/2
S654-9302	-	973	773	2,5	1	2/2
S654-0002	-	957	377	19	1	2/2
S654-0005	-	957	377	19	1	2/2



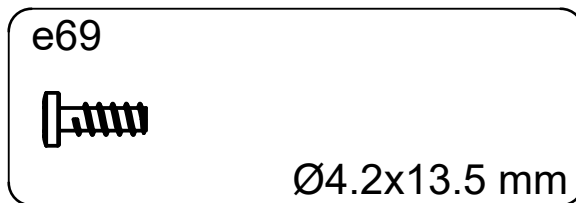
1:1



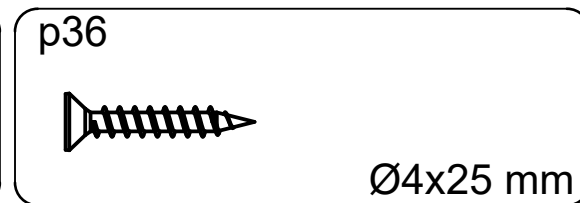
4x



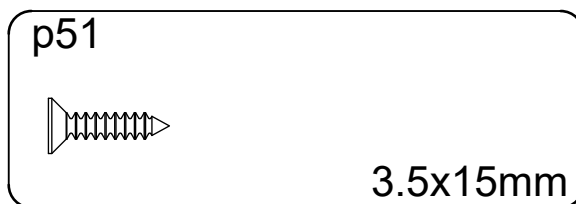
8x



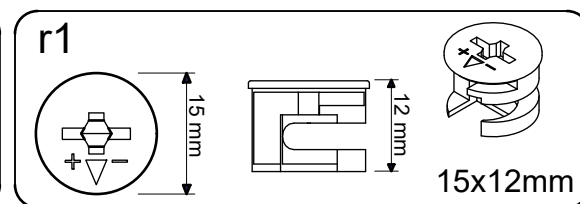
8x



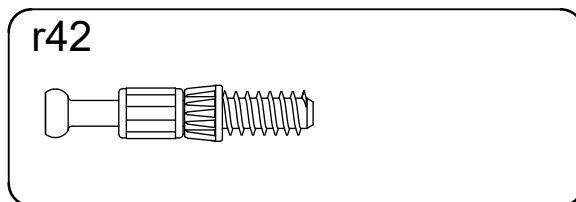
16x



10x



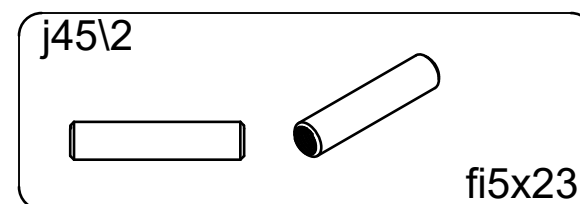
4x



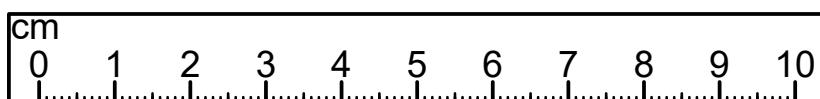
4x



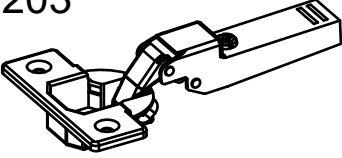
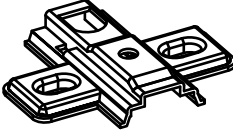
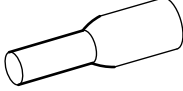
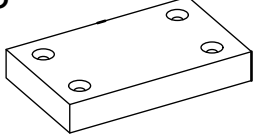
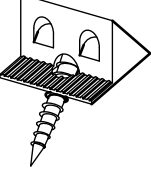
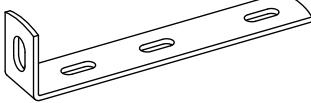

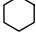
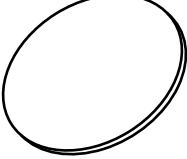
4x



2x

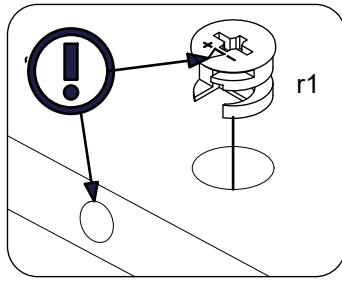
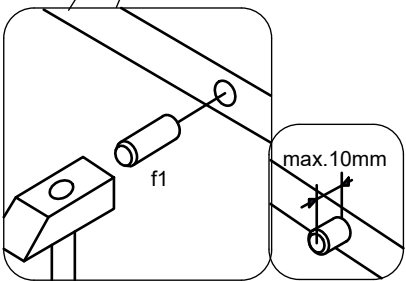
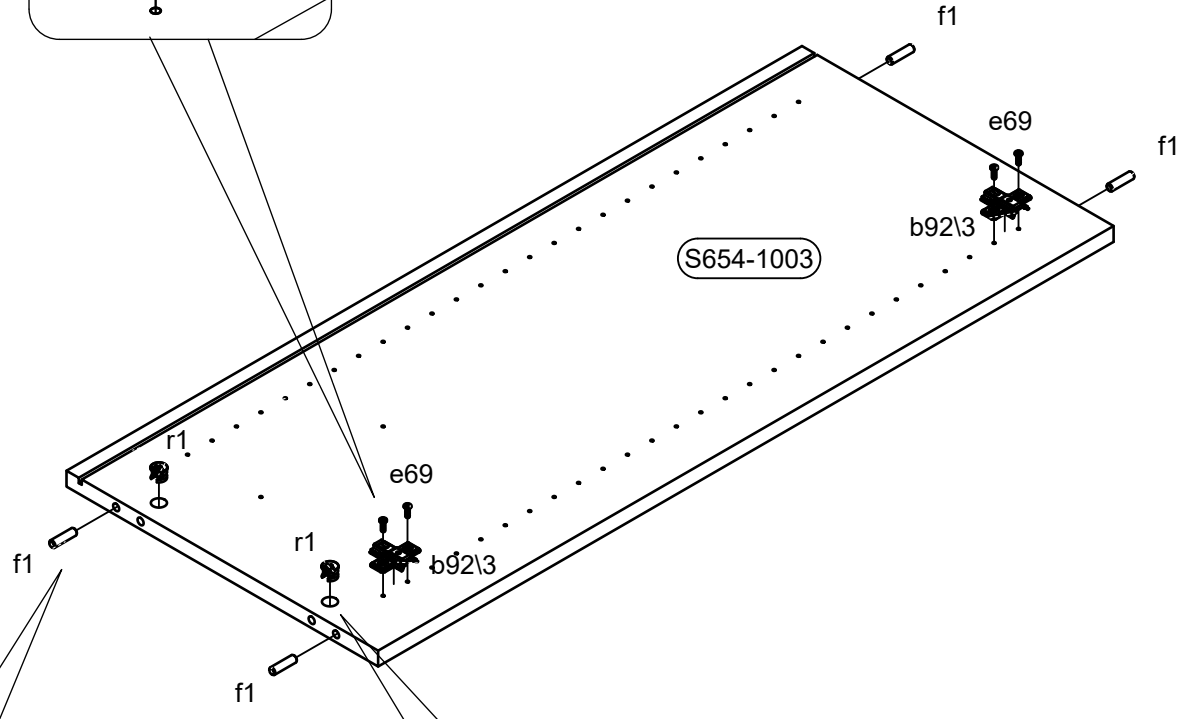
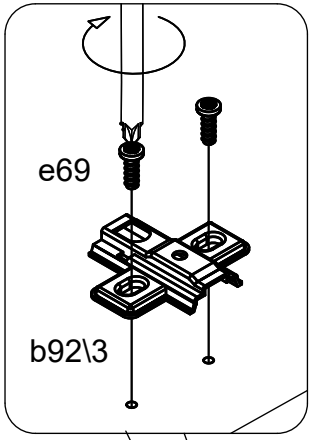


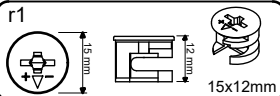
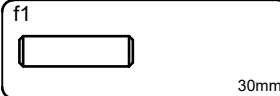
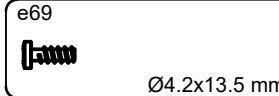
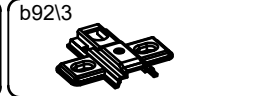
~~1:1~~

a203 	4x	b92\3 	4x
d47 	8x	k178 	4x
l2 	10x	n14\2 	1x
z1   4mm	1x	s68  Ø20mm	4x

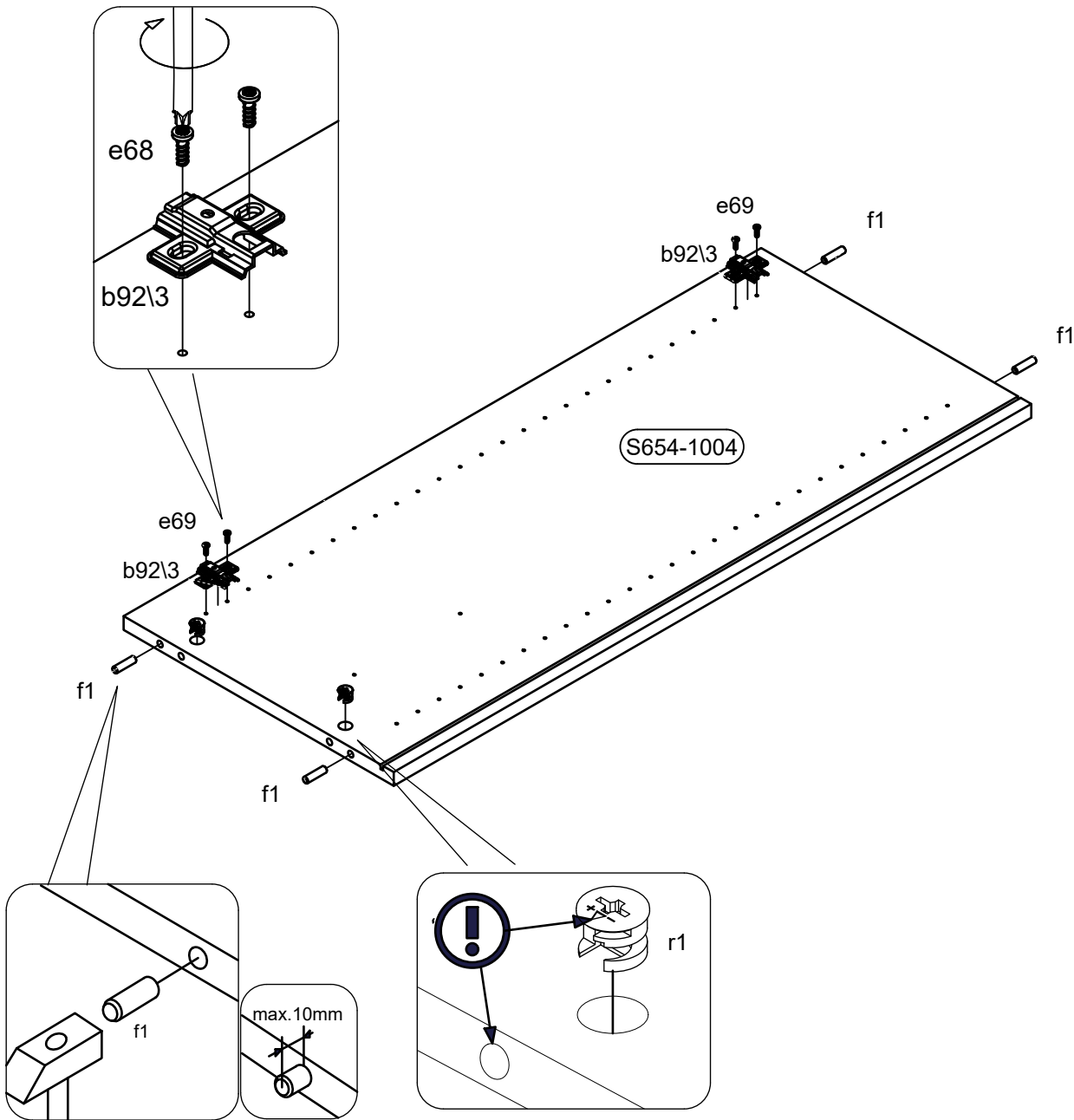
<p>r1 15 mm</p>	<p>2x 15x12mm</p>	<p>f1 30mm</p>	<p>e69 Ø4.2x13.5 mm</p>	<p>b92\3 2x</p>
---------------------	-----------------------	--------------------	-----------------------------	---------------------

1

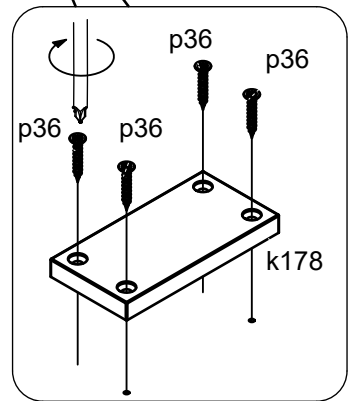
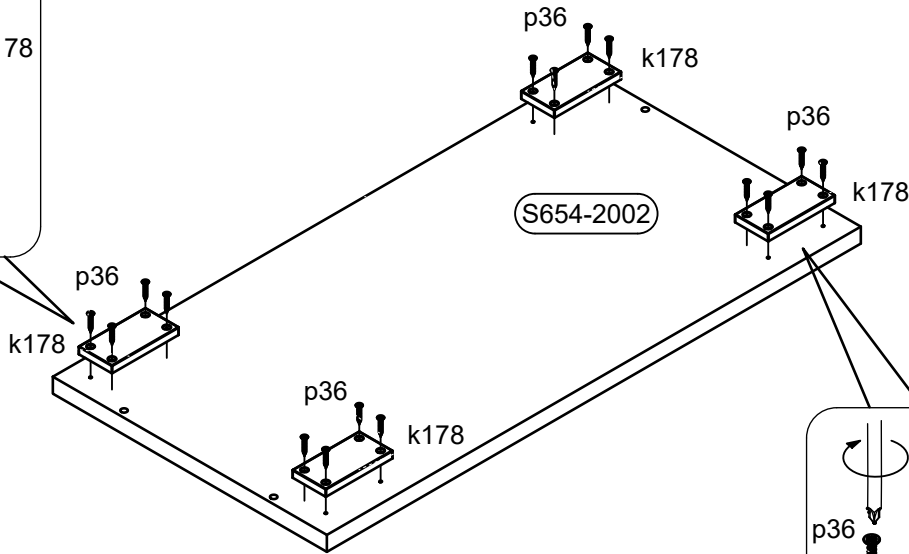
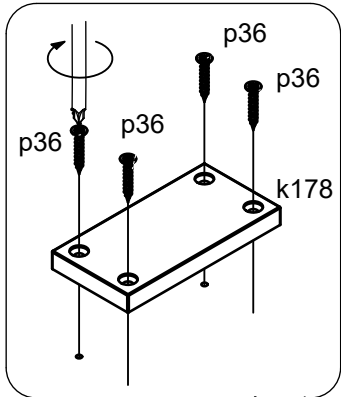
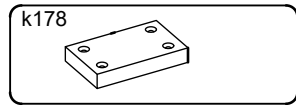
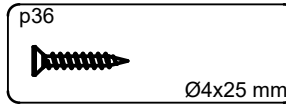


 <p>r1 15mm 12mm 15x12mm</p>	2x	 <p>f1 30mm</p>	4x	 <p>e69 Ø4.2x13.5 mm</p>	4x	 <p>b92\3</p>	2x
--------------------------------------------------------------------------------------------------------------------------	----	------------------------------------------------------------------------------------------------------	----	----------------------------------------------------------------------------------------------------------------	----	--------------------------------------------------------------------------------------------------	----

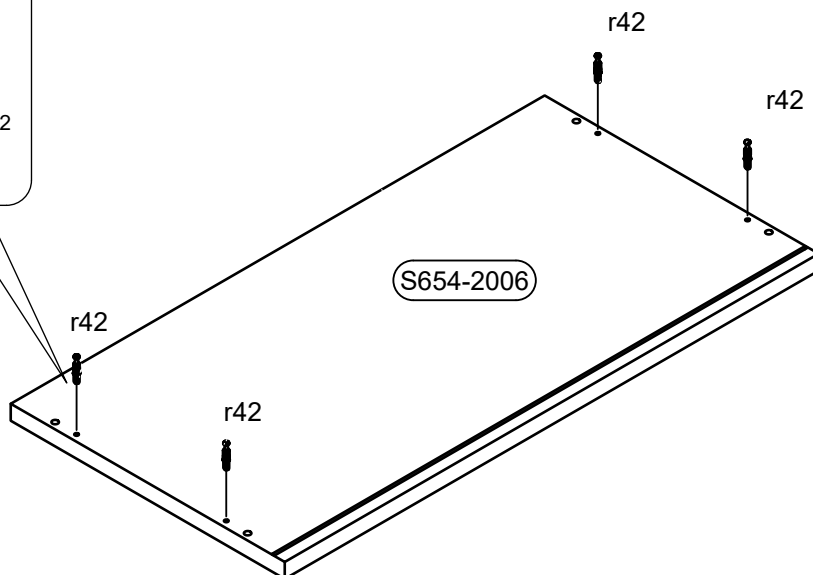
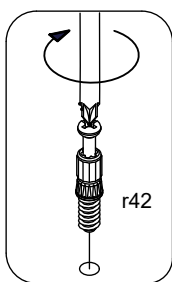
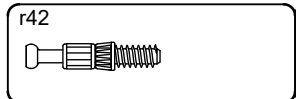
2 




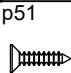
3 §2

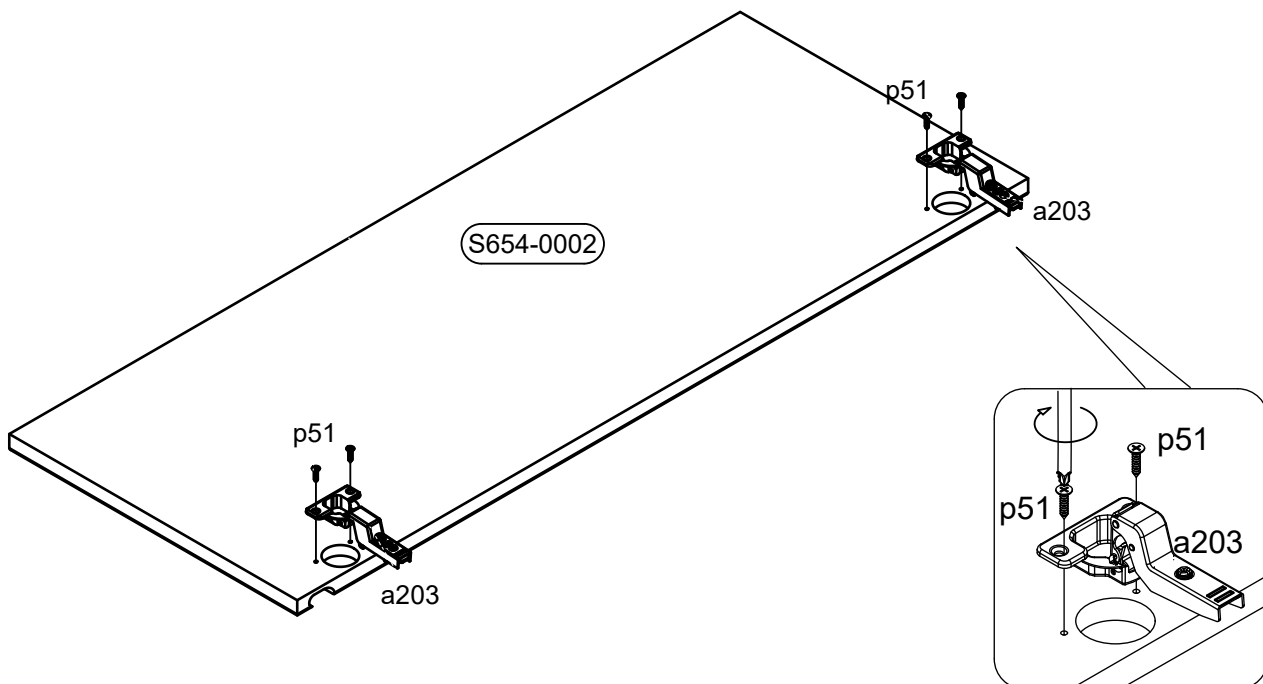


4 §2


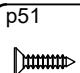


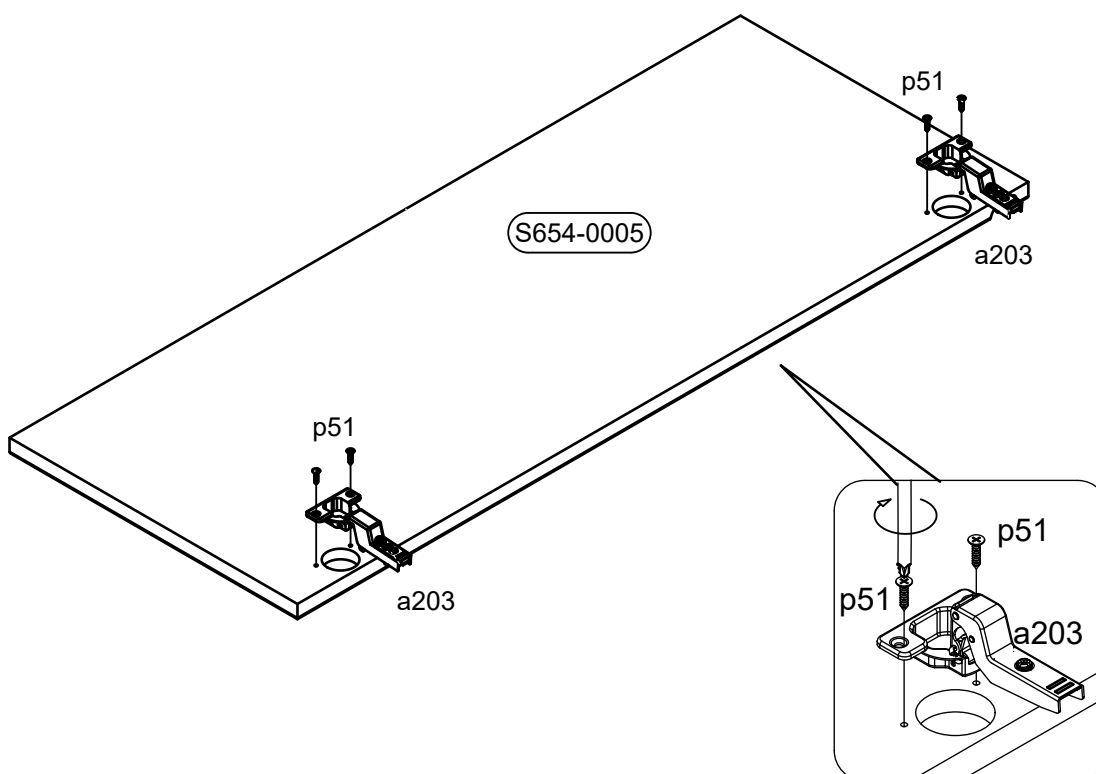
5 

 a203	2x	 p51	4x
			3.5x15mm

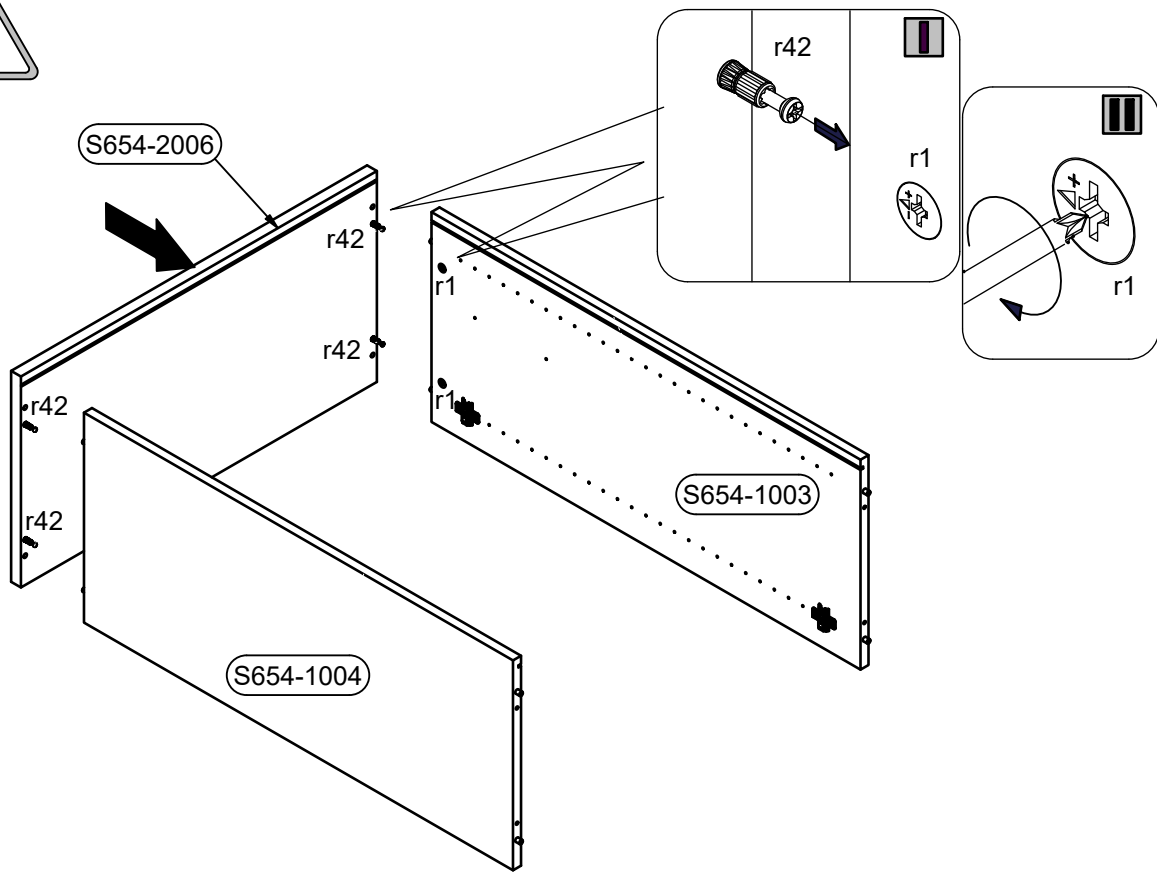


6

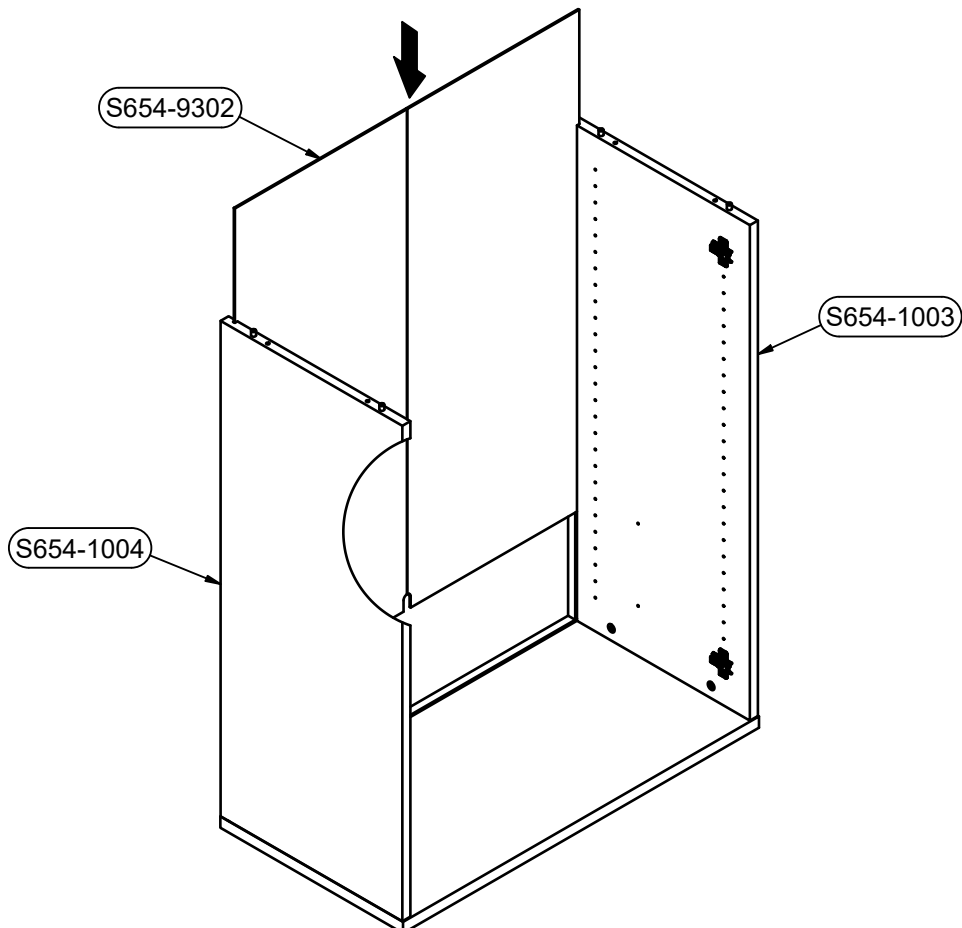
 a203	2x	 p51	4x
			3.5x15mm



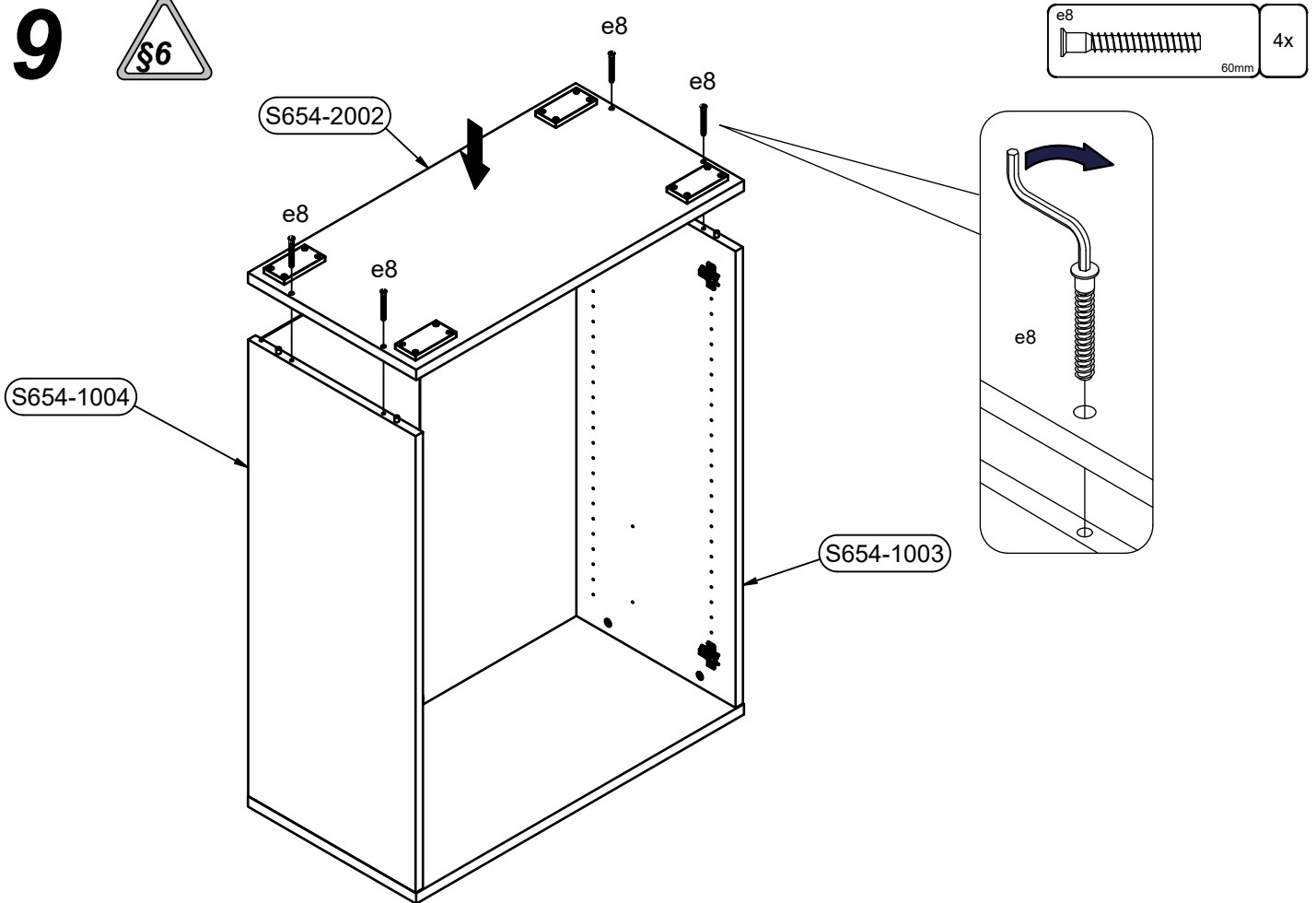
7 §2



8 §6

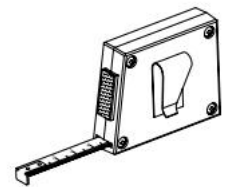
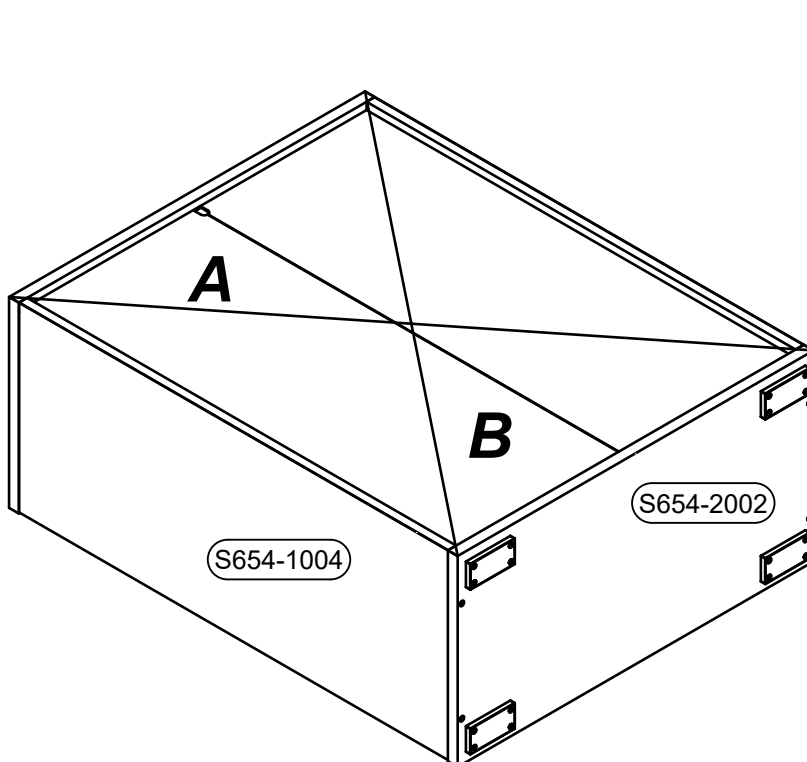


9



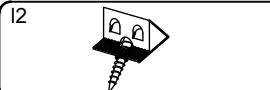
10

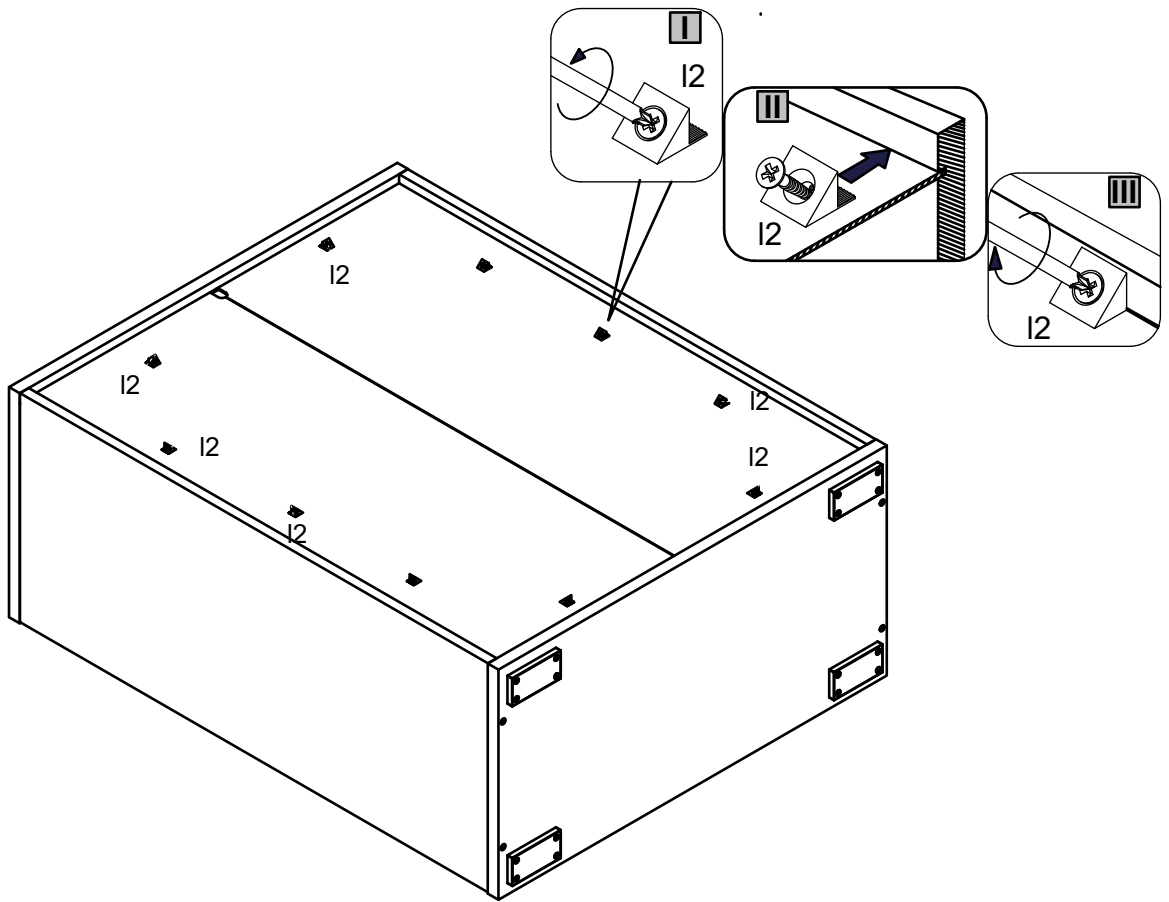
A=B



11

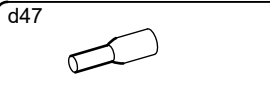


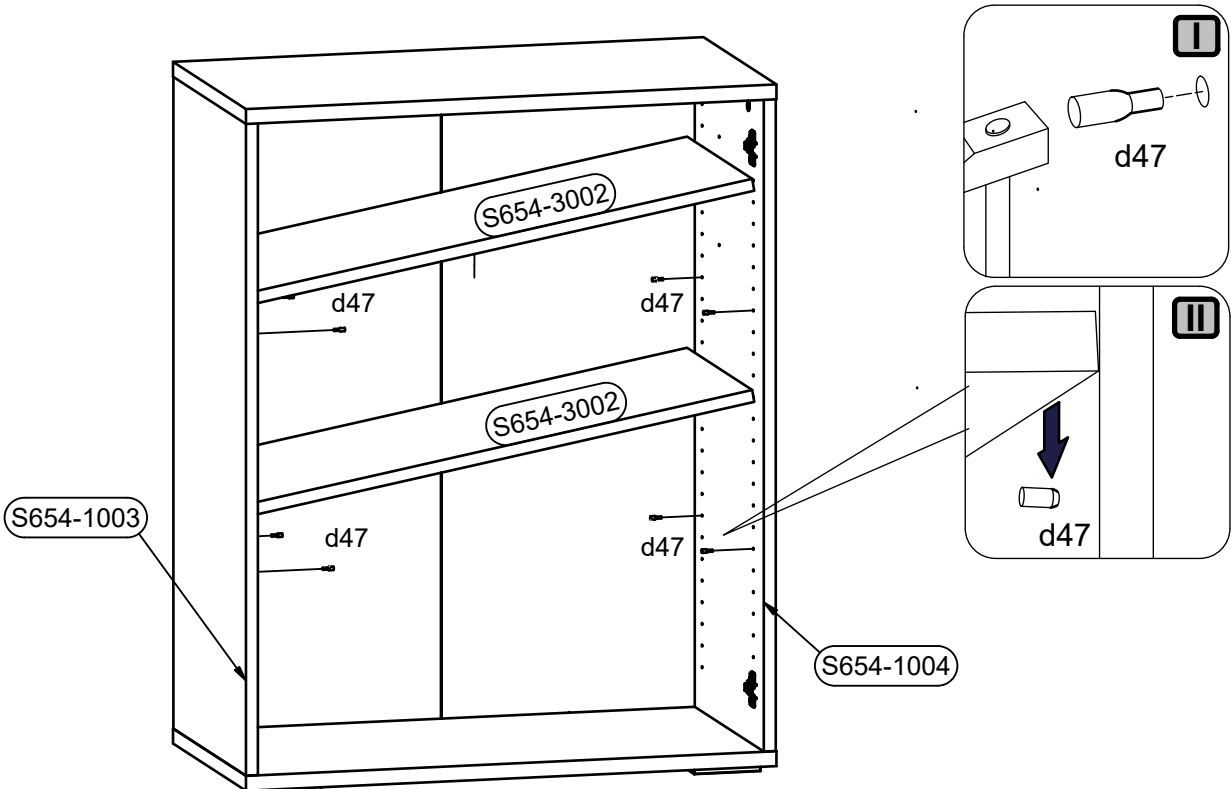
 <p>I2</p>	<p>10x</p>
-----------------------------------------------------------------------------------------------	------------



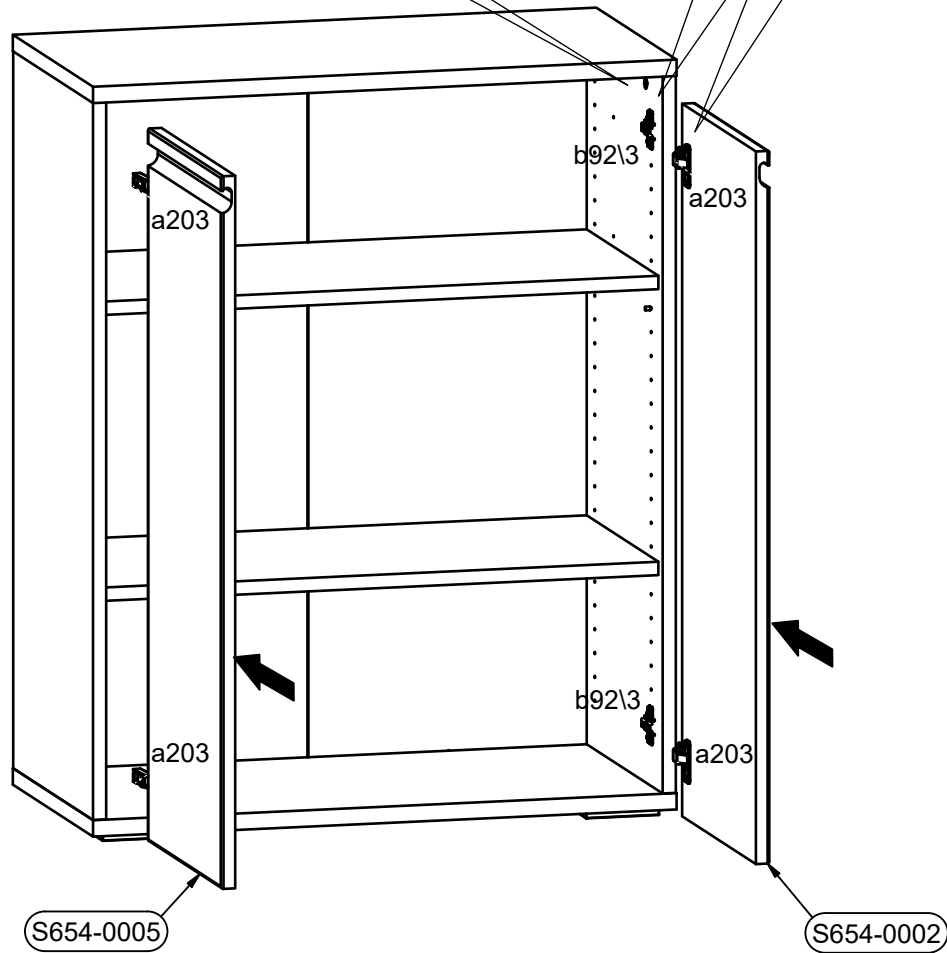
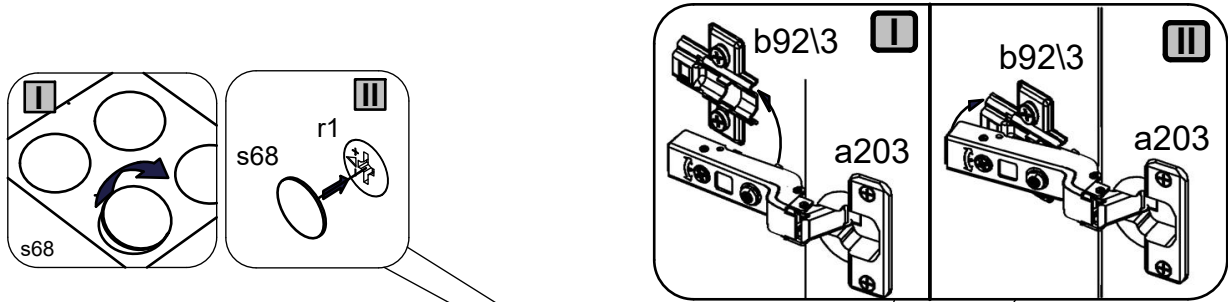
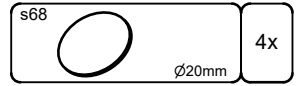
12



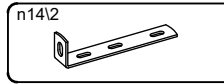
 <p>d47</p>	<p>8x</p>
--------------------------------------------------------------------------------------------------	-----------



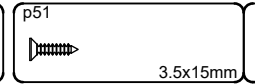
13



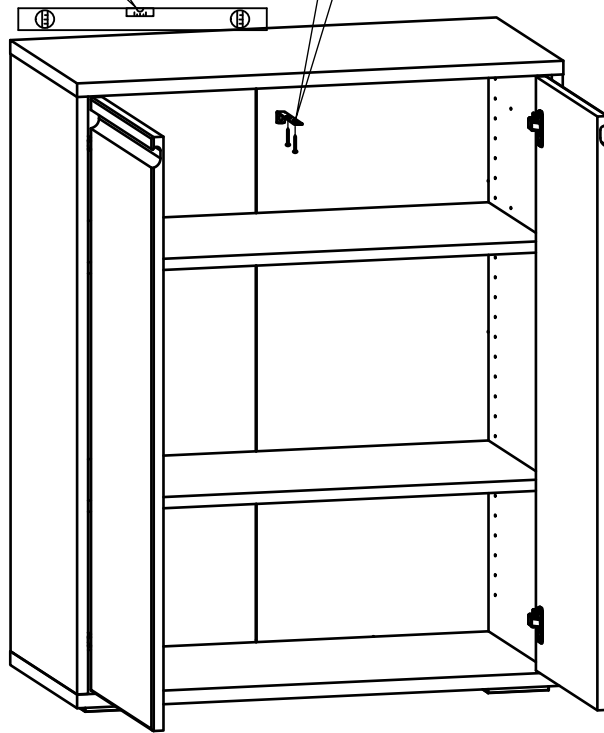
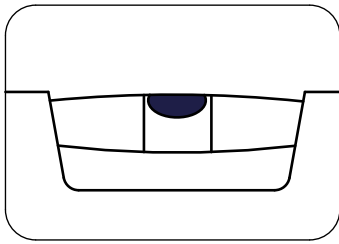
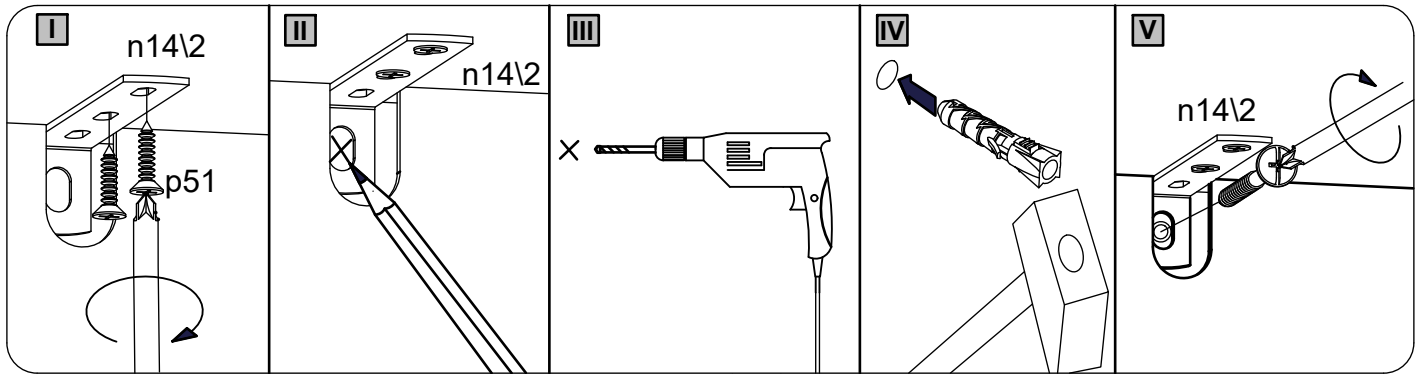
14



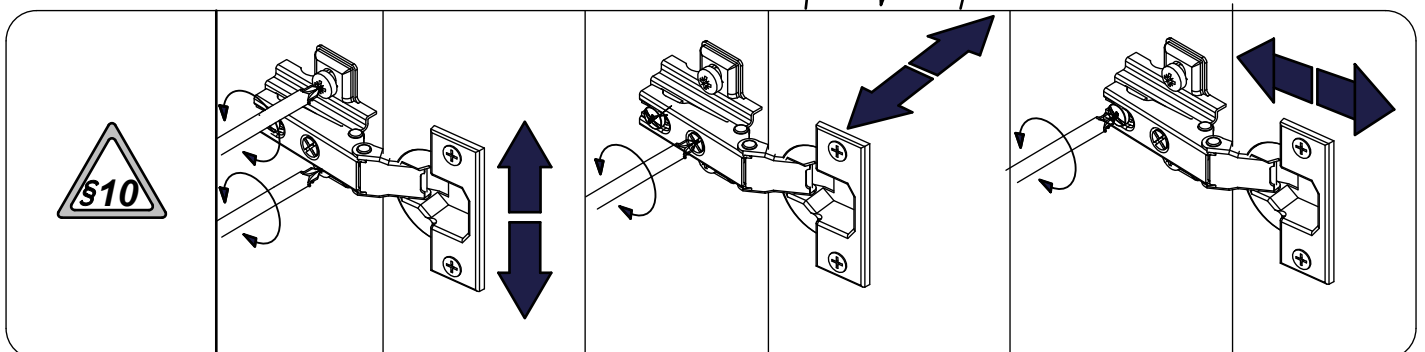
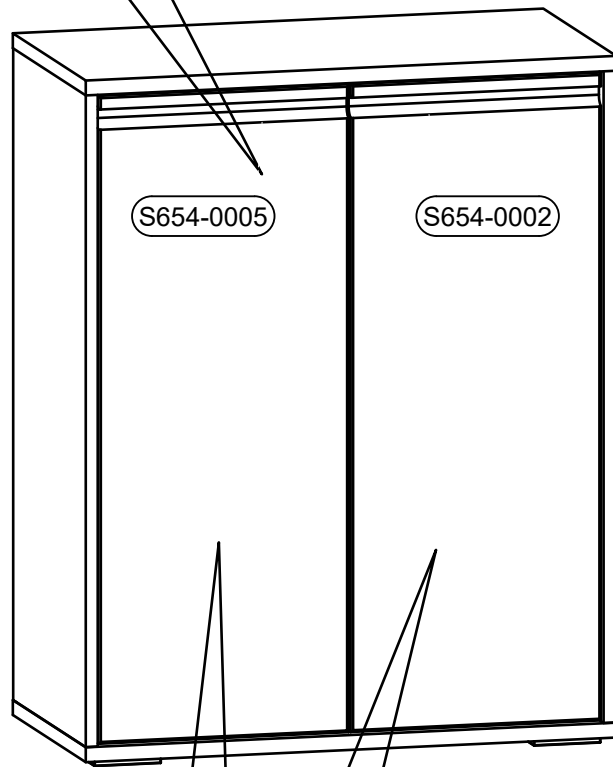
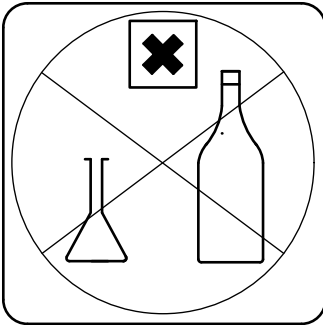
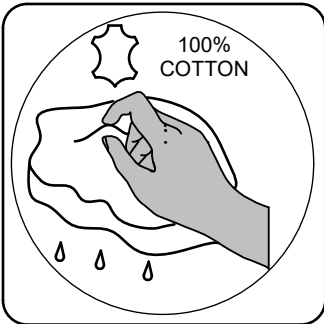
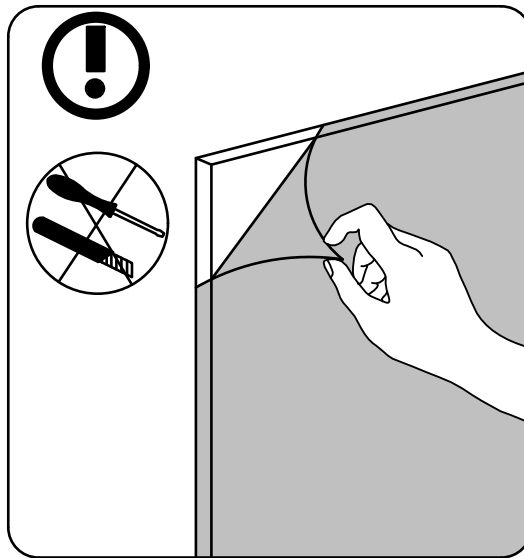
1x





2x



15



- j45\1**
 M4x12mm 4x
- j45\2**
 fi5x23 2x

