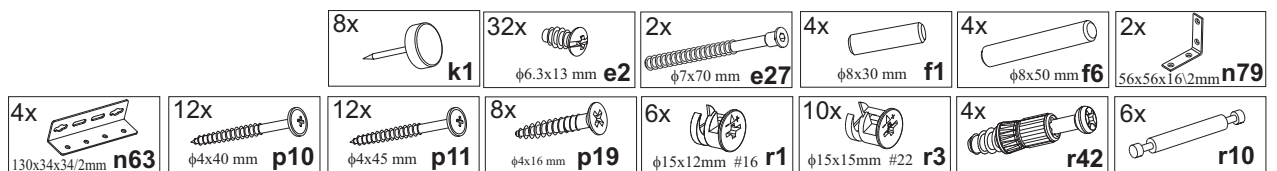
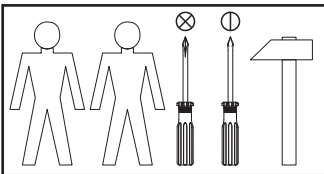
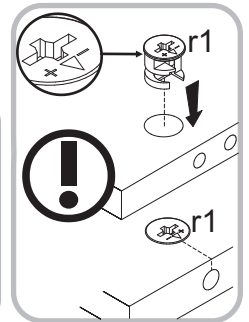
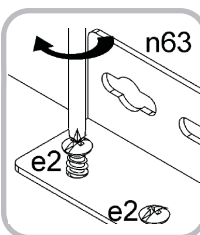
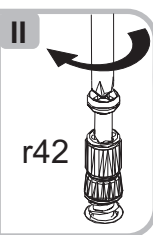
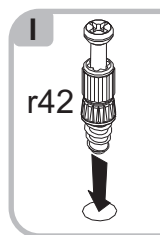
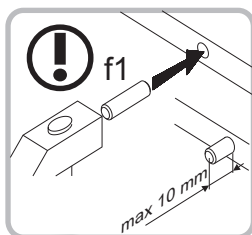
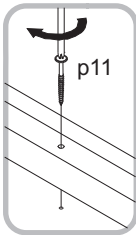
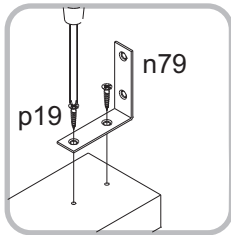
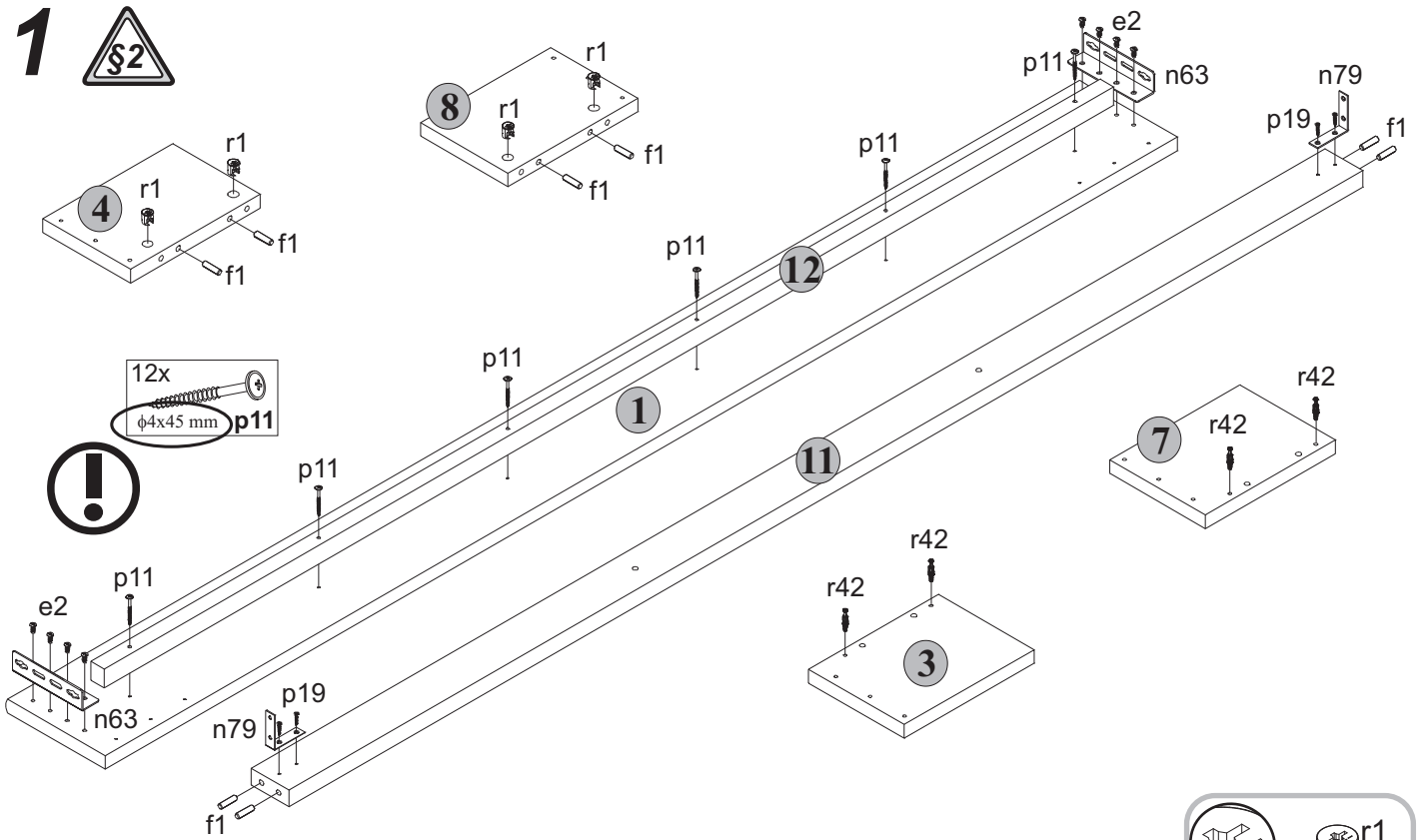


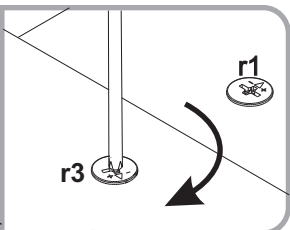
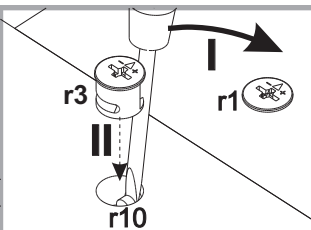
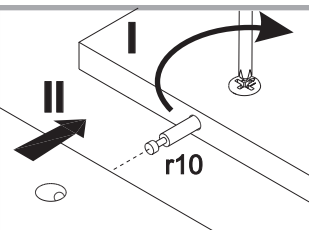
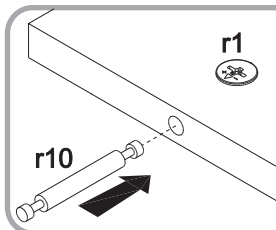
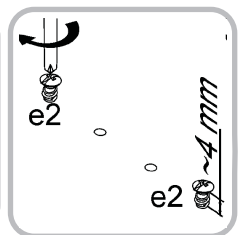
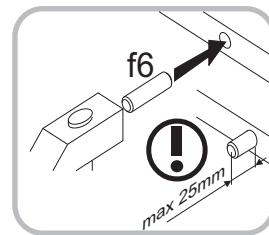
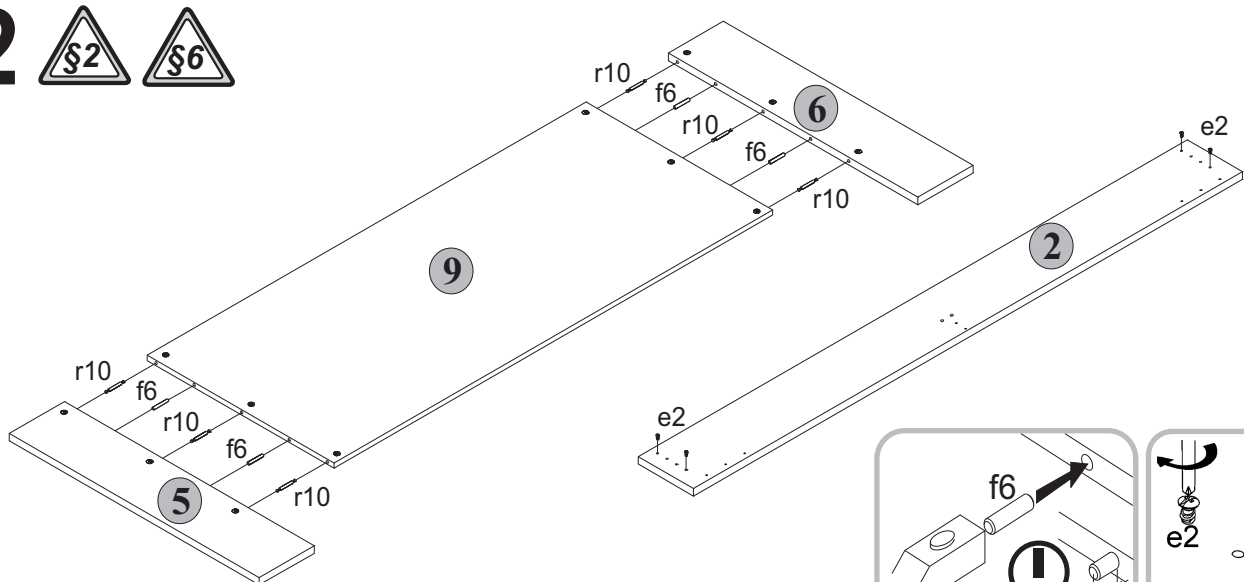
A	B	C	D
1	L21-103	1997x185	1
2	L21-503	1846x186	1
3	L21-504	242x178	1
4	L21-505	242x163	1
5	L21-506	840x185	1
6	L21-507	840x185	1
7	L21-508	242x178	1
8	L21-509	242x163	1
9	L21-510	1476x628	2
10	MZ1-706	274x70	1
11	MZ1-707	2000x70	1
12	ZZ1-720	1880x25	1



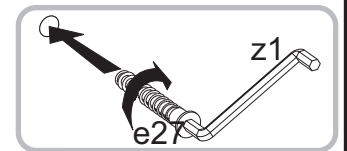
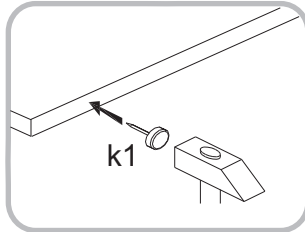
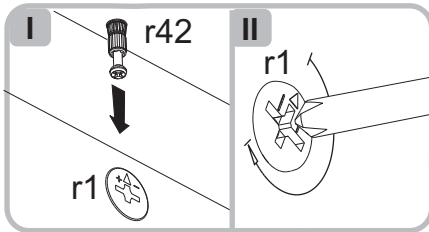
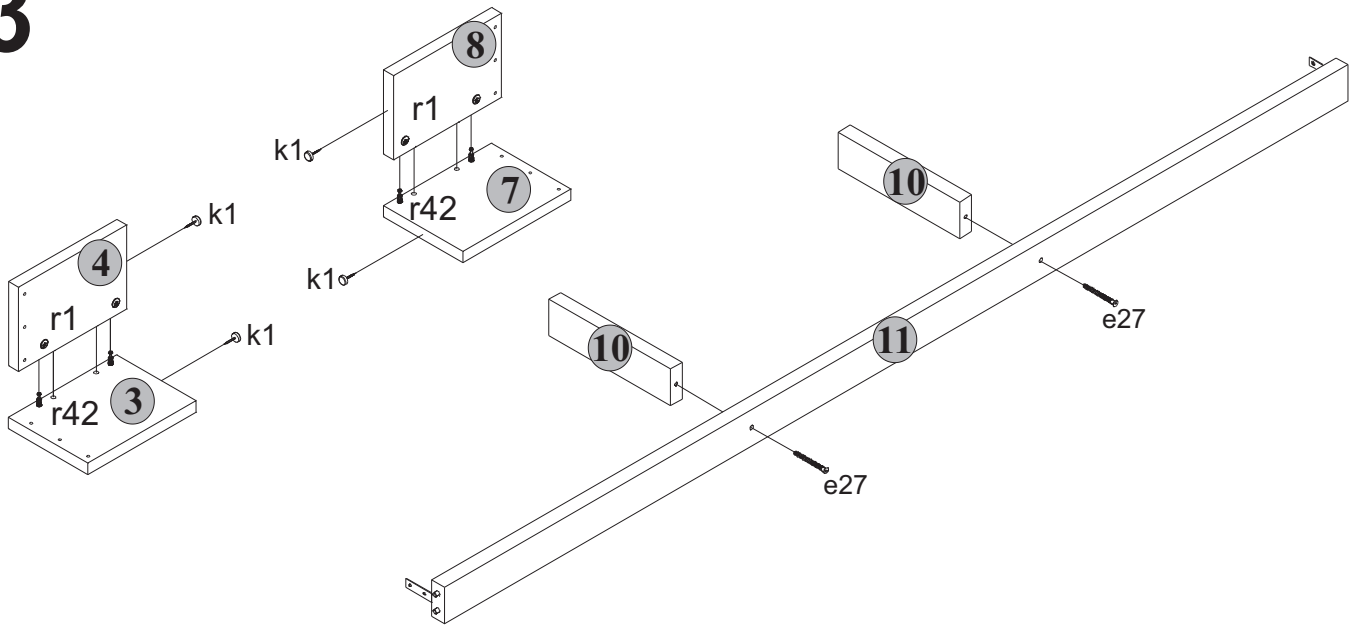
1



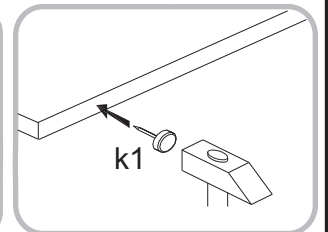
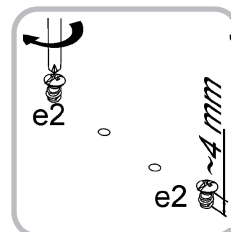
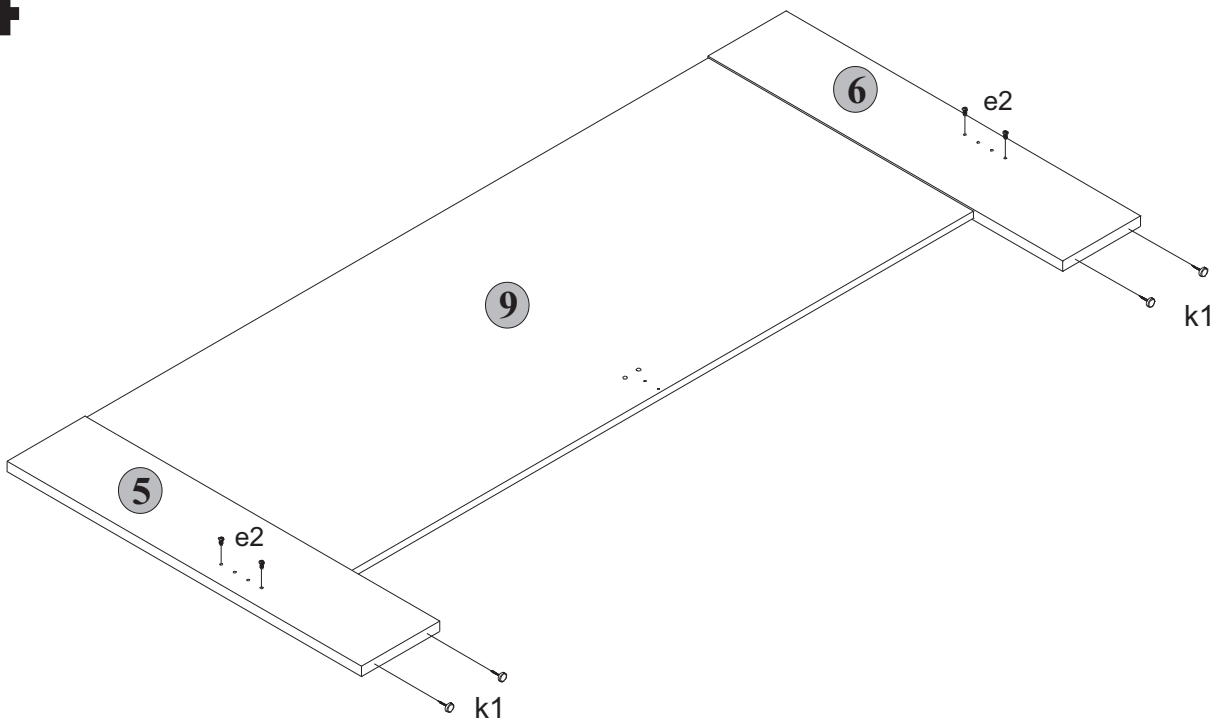
2



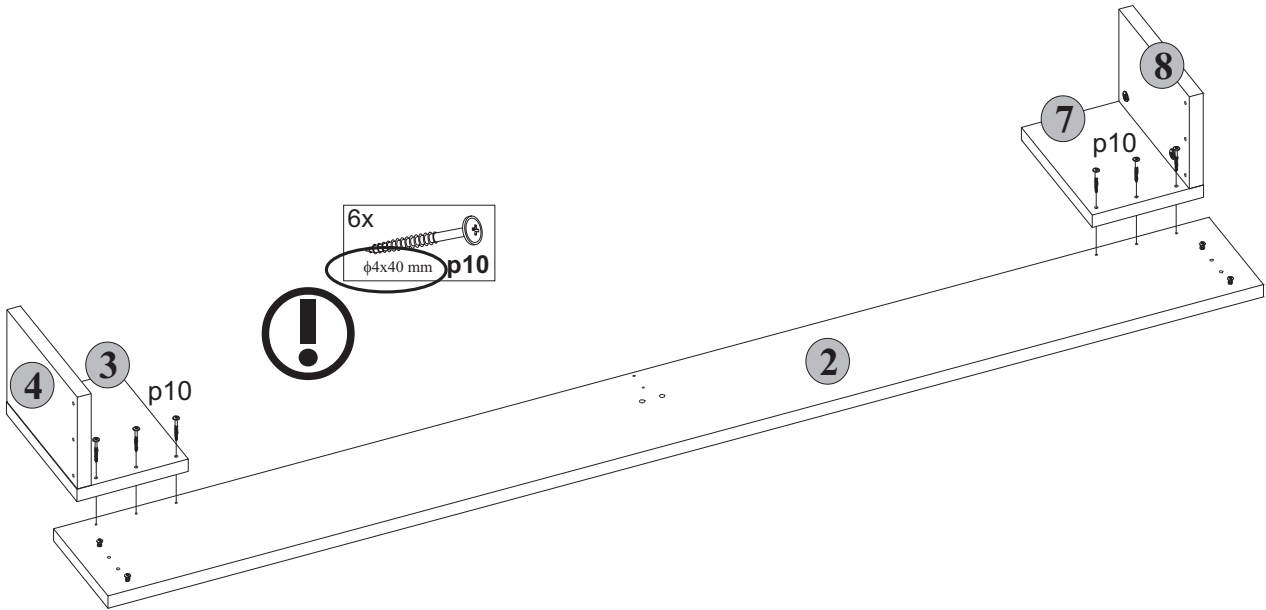
3



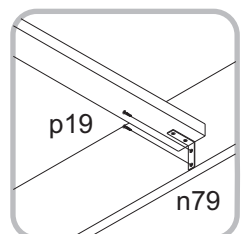
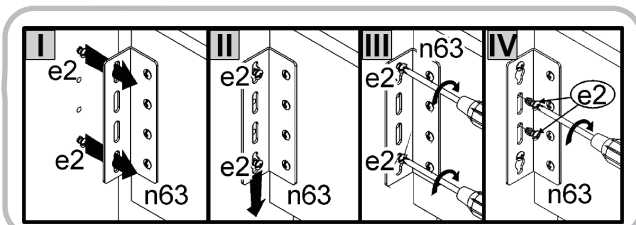
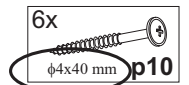
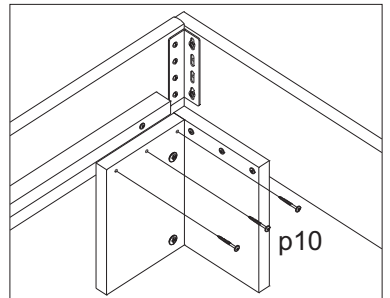
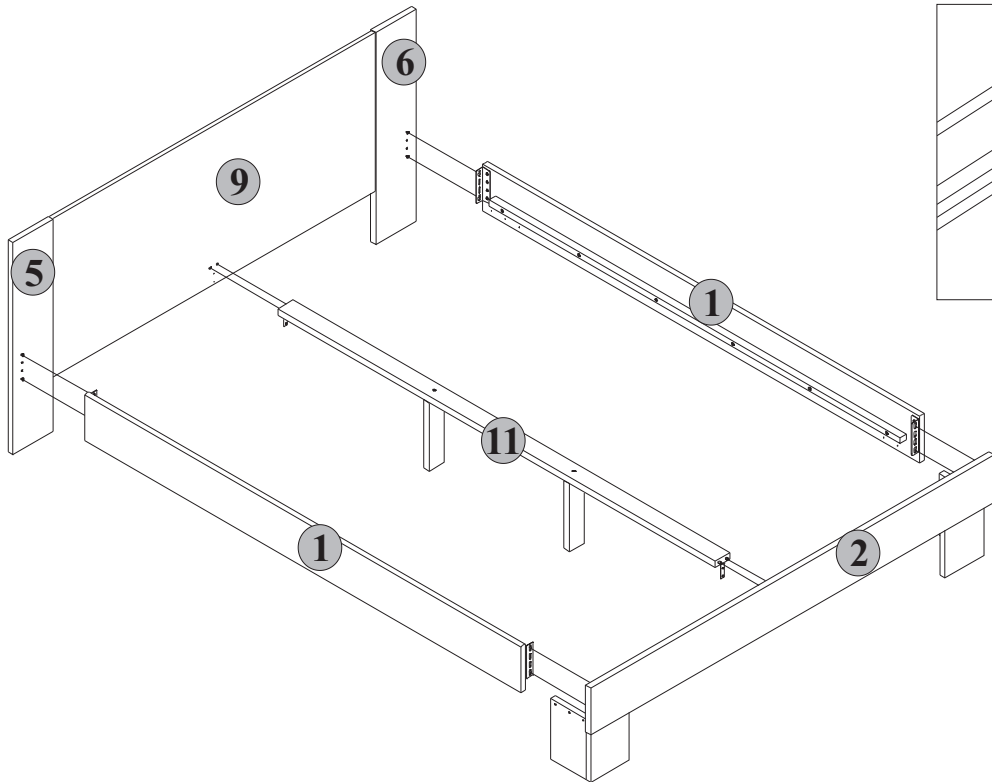
4



5



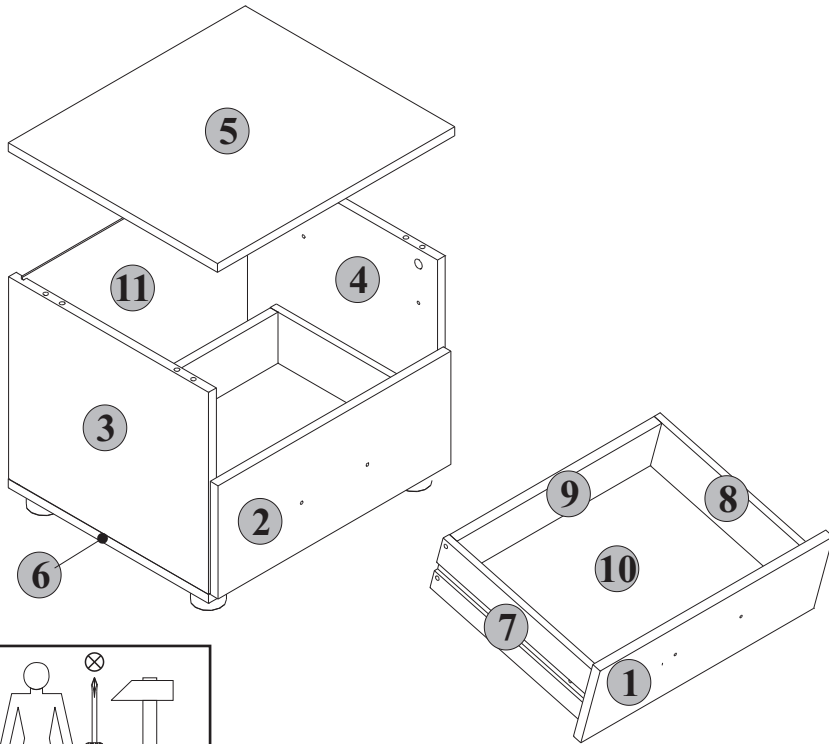
6



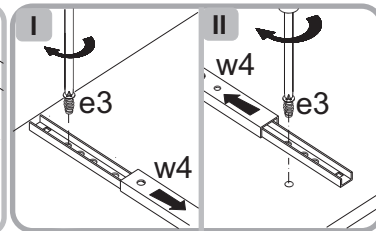
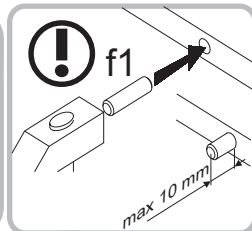
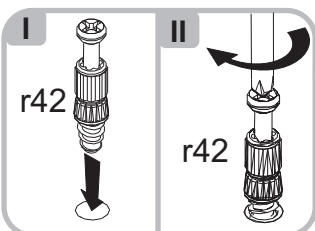
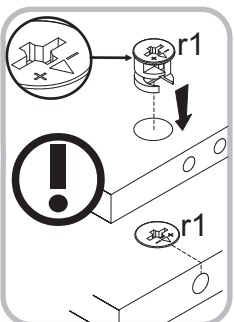
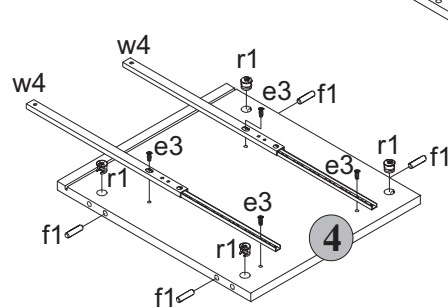
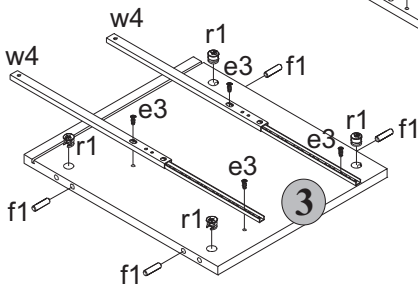
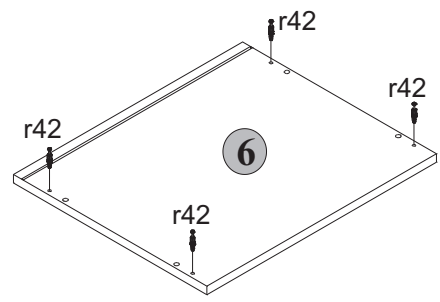
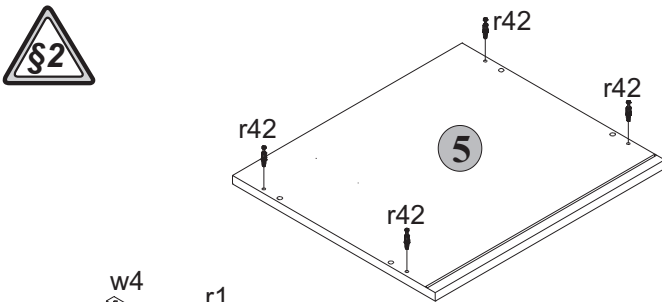
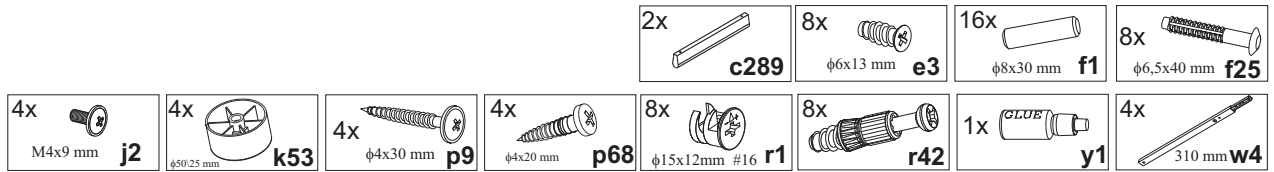
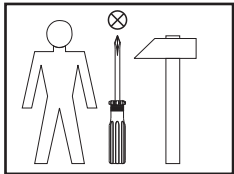
36-018
89-030

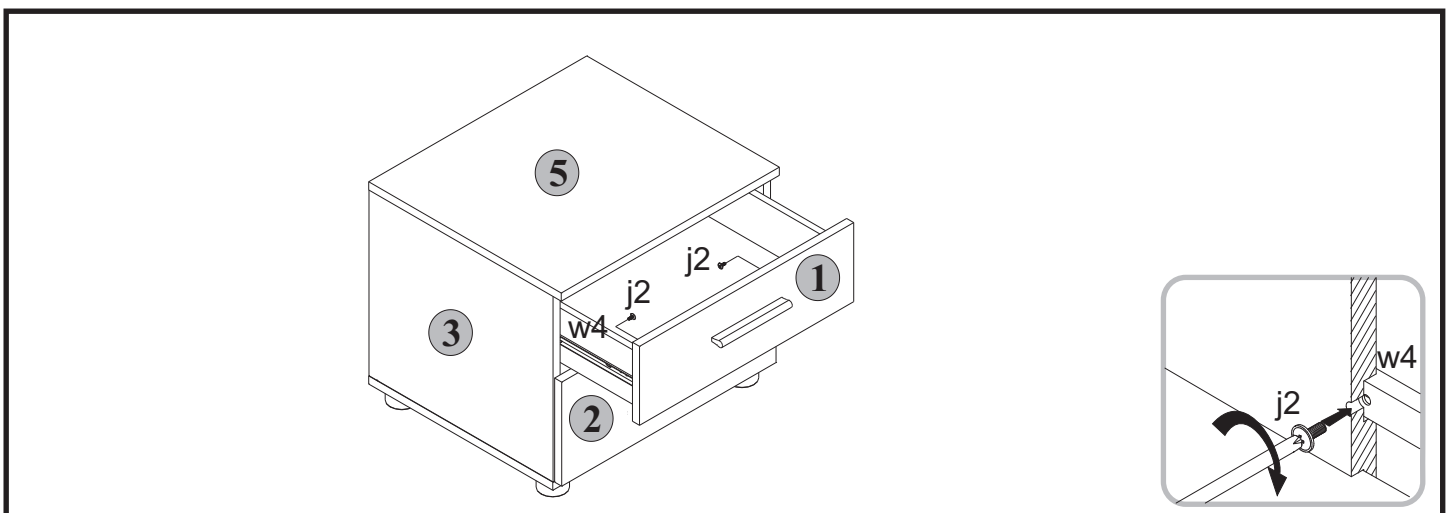
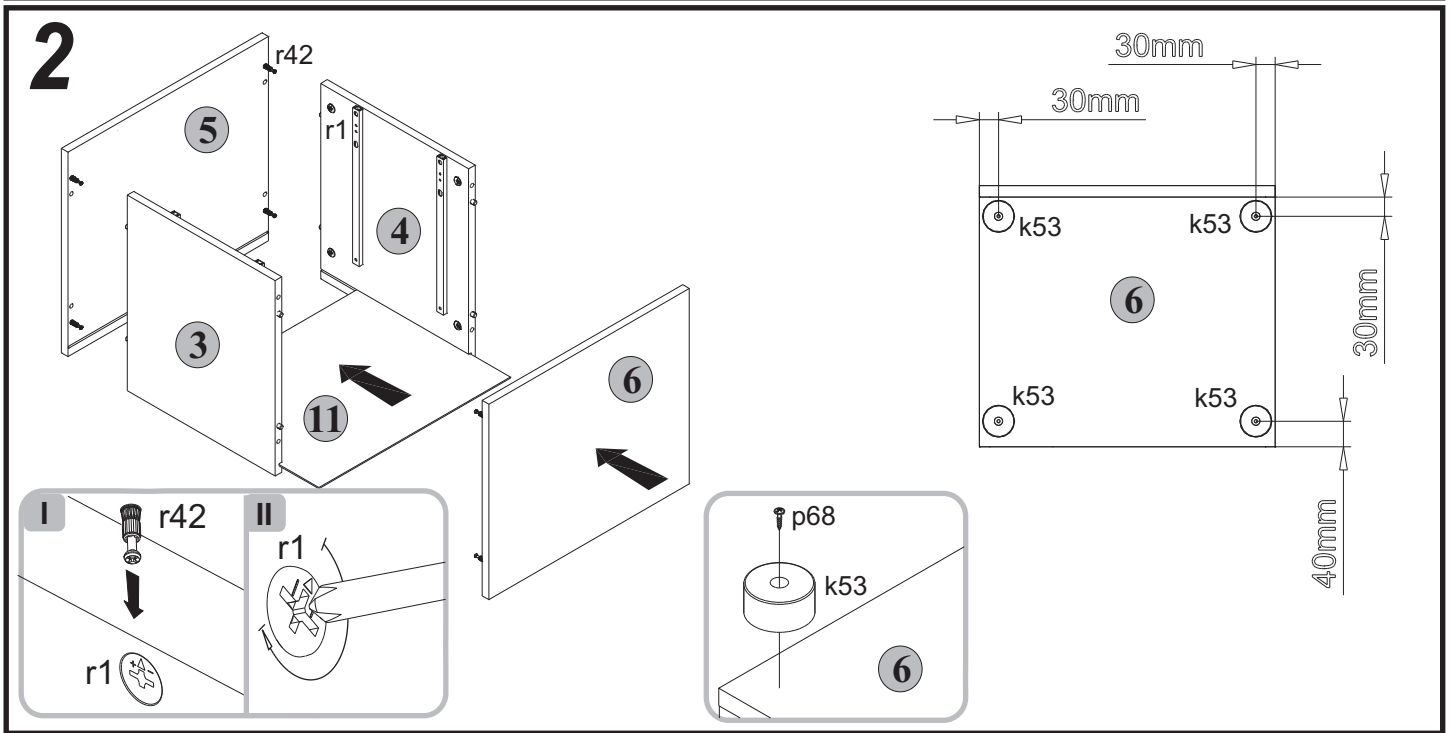
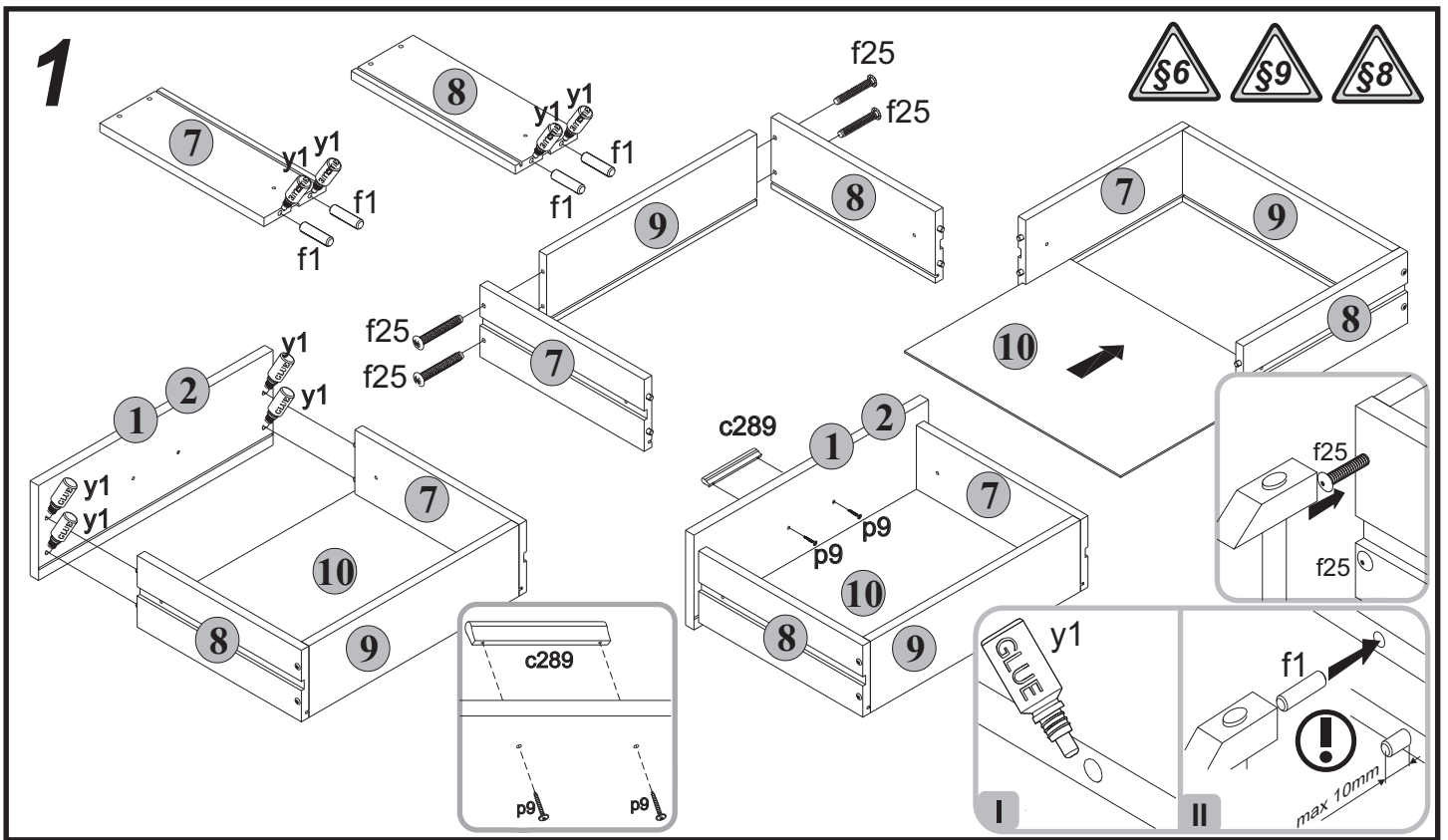
MARTINA, MARVICK, WIKTOR_BRW

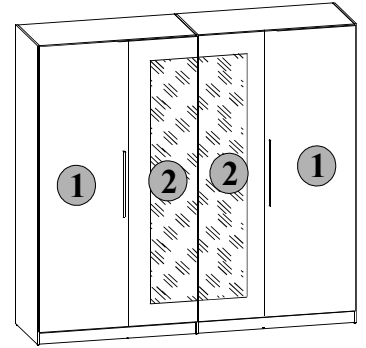
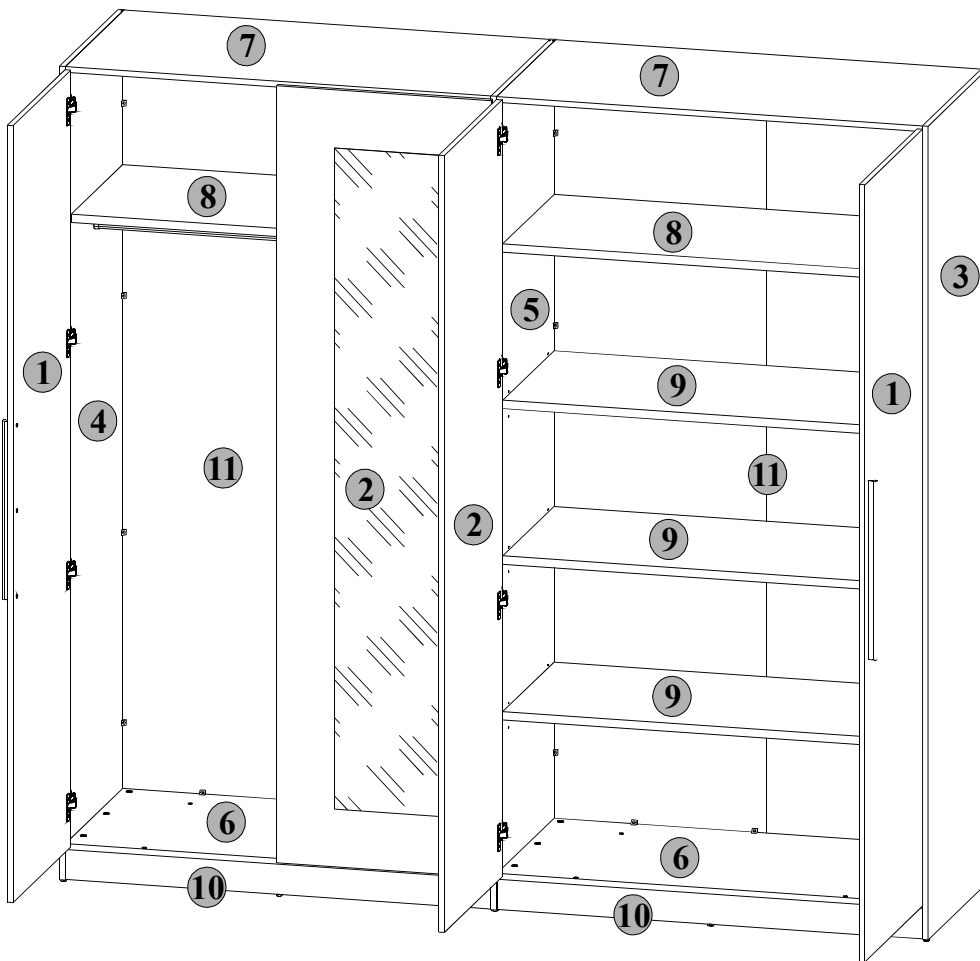
L21-KOM2S



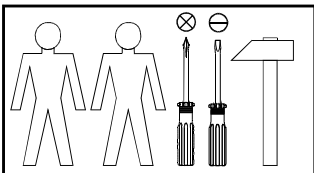
A	B	C	D
1	L21-001	454x145	1
2	L21-002	454x191	1
3	L21-101	341x390	1
4	L21-102	341x390	1
5	L21-201	462x408	1
6	L21-202	462x390	1
7	MZ1-546	310x100	1
8	MZ1-547	310x100	1
9	L21-502	399x100	1
10	L21-901	410x306	1
11	L21-902	441x351	1





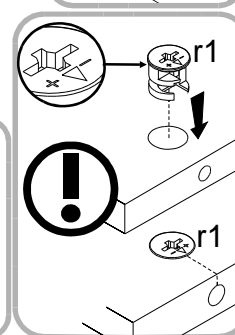
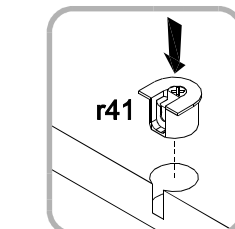
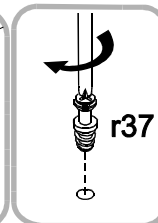
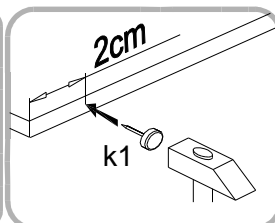
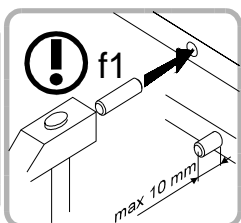
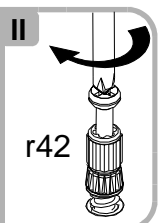
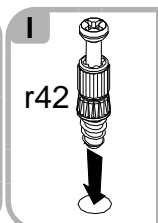
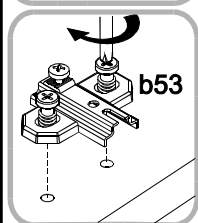
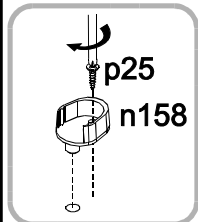
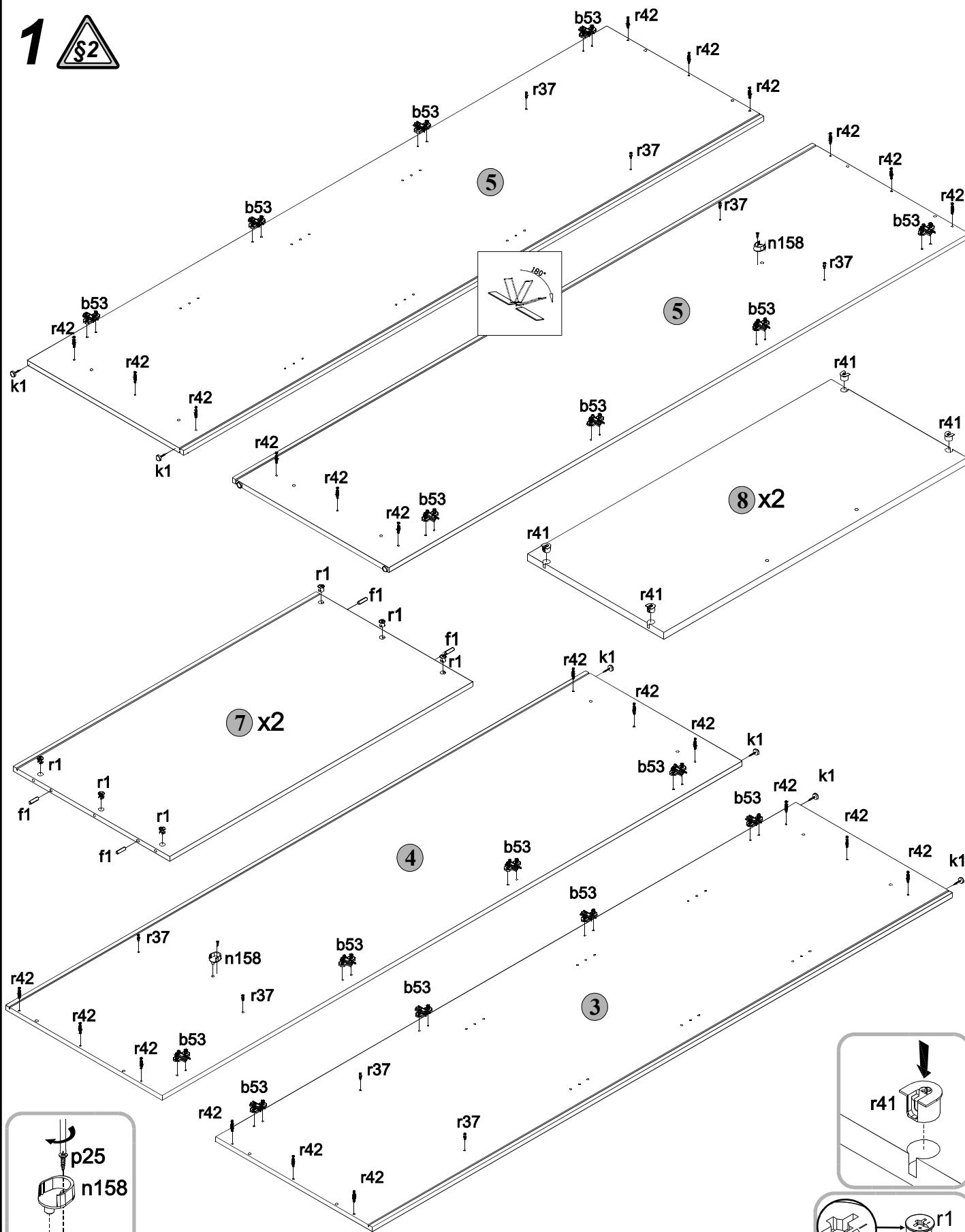


A	B	C	D
1	L21-007	2050x642	4/5
2	L21-006A	2050x482	5/5
3	L21-107A	2132x576	1/5
4	L21-108	2132x576	1/5
5	L21-109A	2132x576	1/5
6	L21-305	1114x575	2/5
7	L21-306	1114x575	2/5
8	L21-307A	1114x500	3/5
9	L21-308	1114x500	3/5
10	L21-402	1114x80	2/5
11	L21-904A	2029x1123	1/5

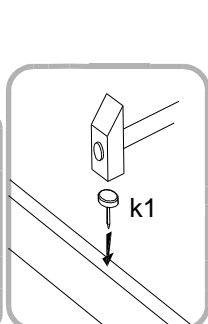
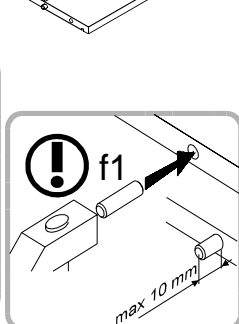
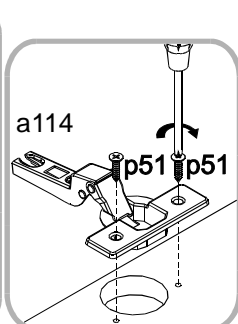
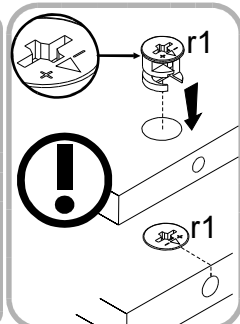
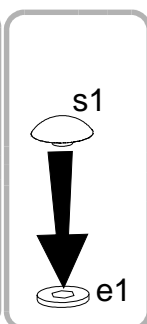
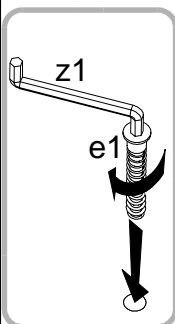
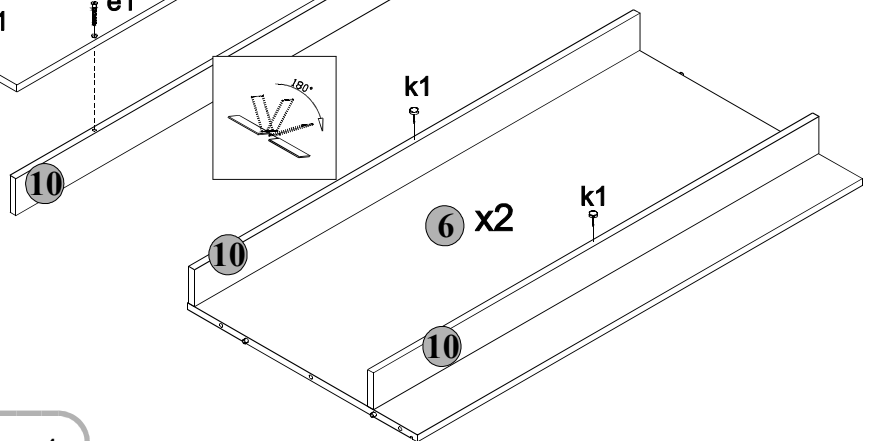
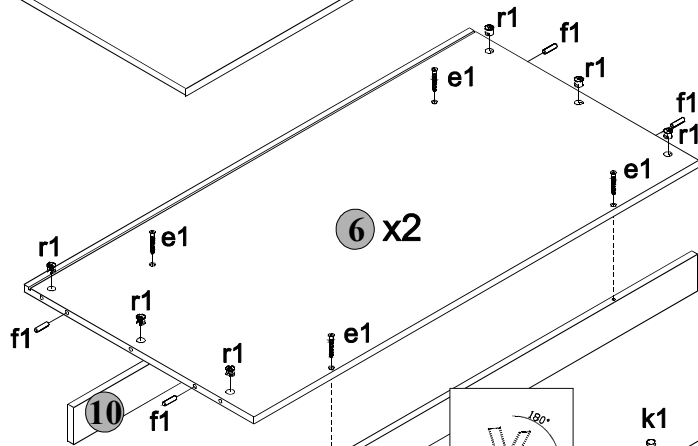
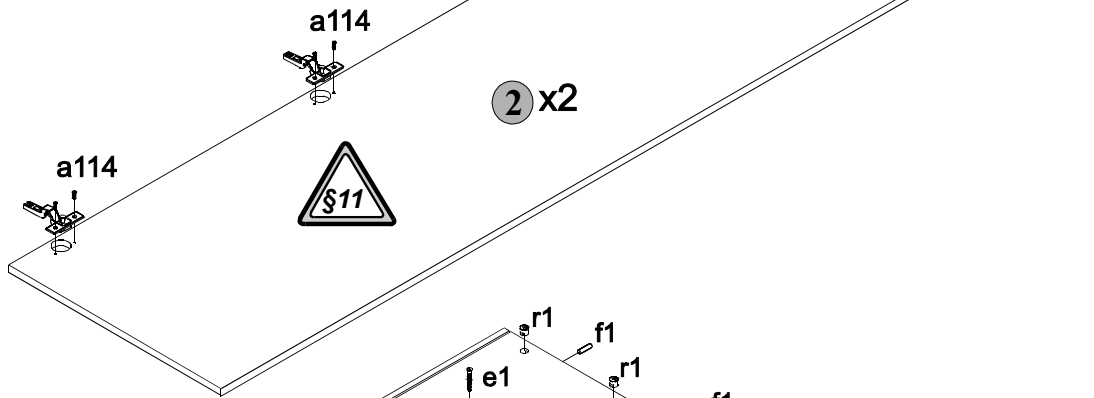
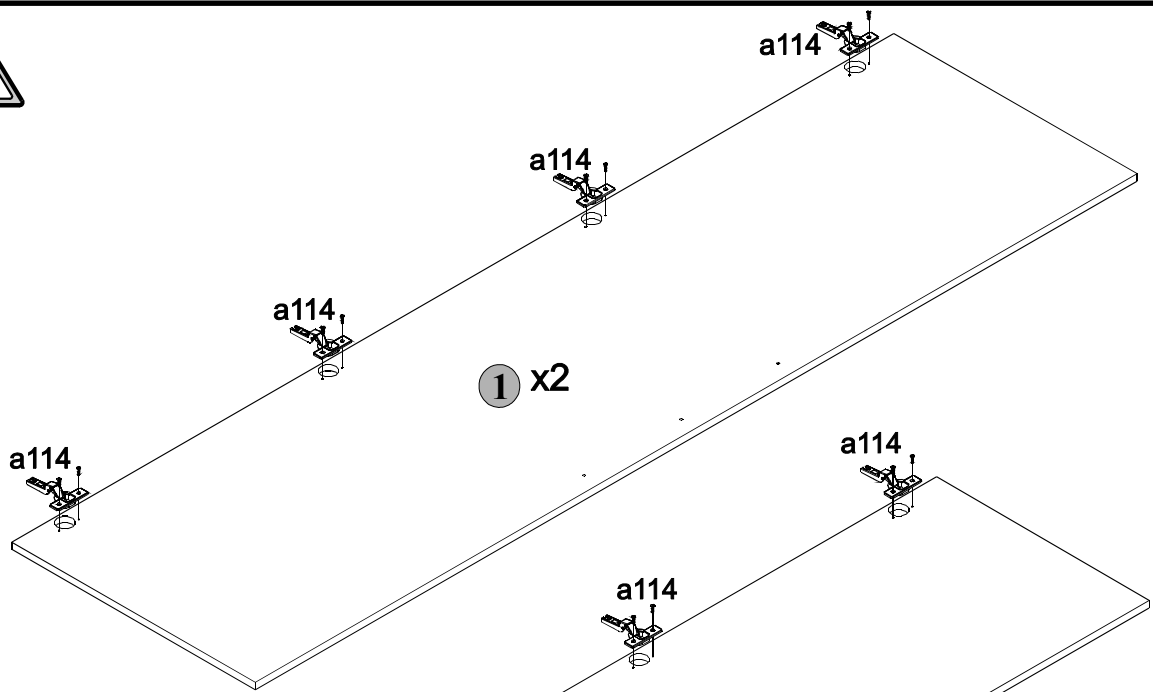


16x K9.5 a114	16x b53	2x c369	12x φ5x17 mm d1	8x φ7x50 mm e1	16x φ8x30 mm f1	28x l2	10x k1	2x n158
2x φ3.5x16 mm p25	32x φ3.5x15 mm p51	6x φ4x25 mm p8	24x φ15x12mm #16 r1	24x r42	8x φ20x13.5mm #19 r41	8x 6,7/7.8 r37	8x s1	24x φ16 s2
				4x φ6.3x13 mm e50	4x d20	1x 15x30x1108 mm dr1108		1x z1

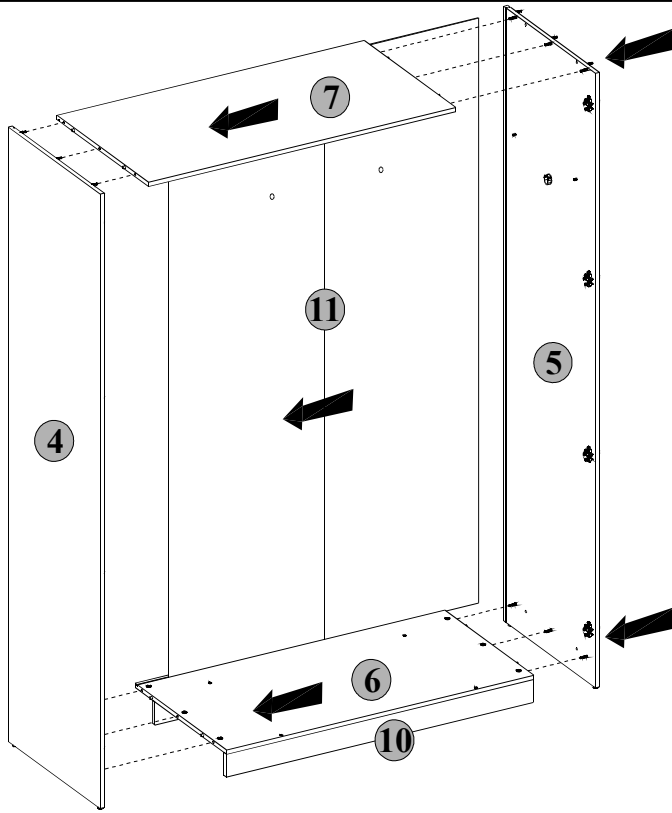
1 



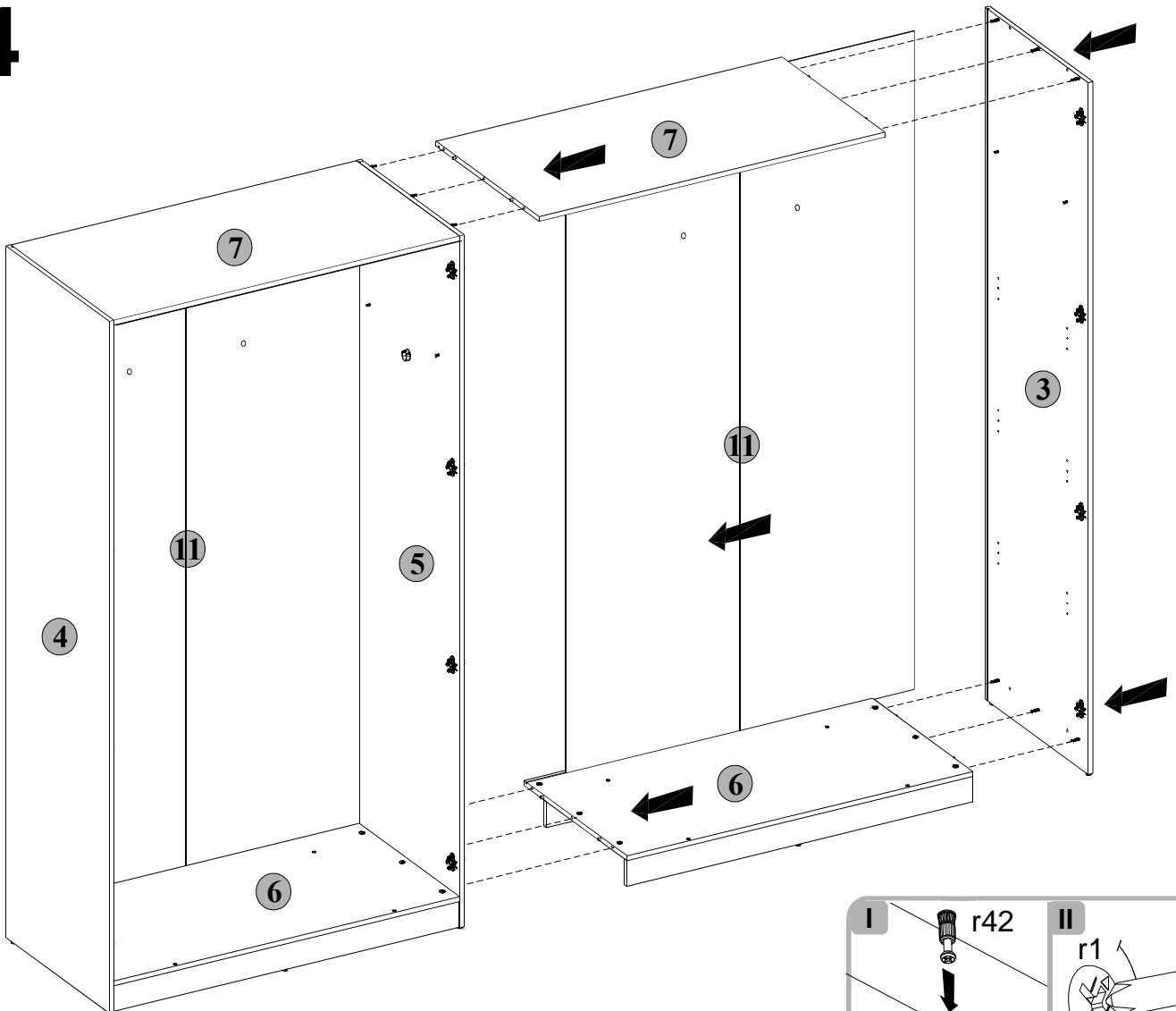
2 



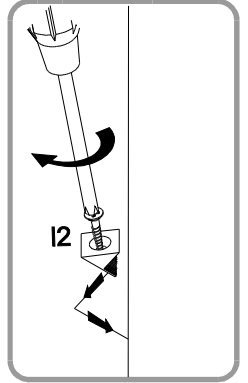
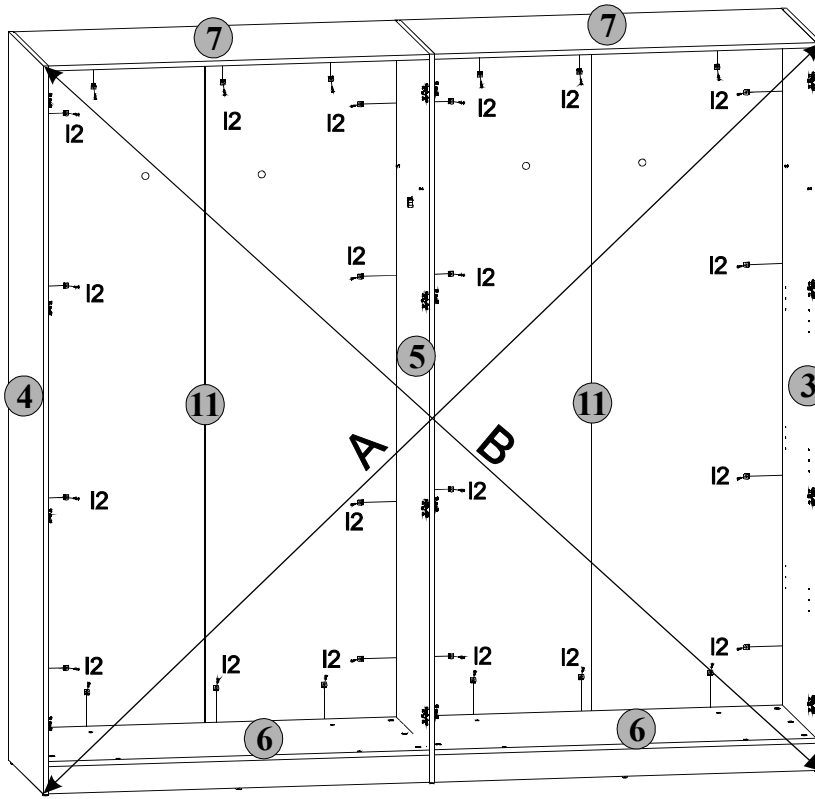
3



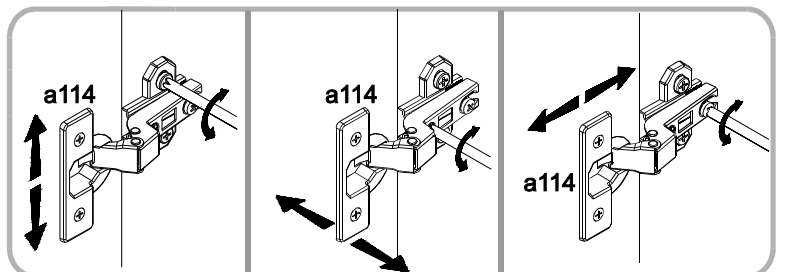
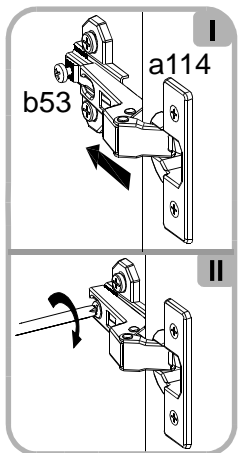
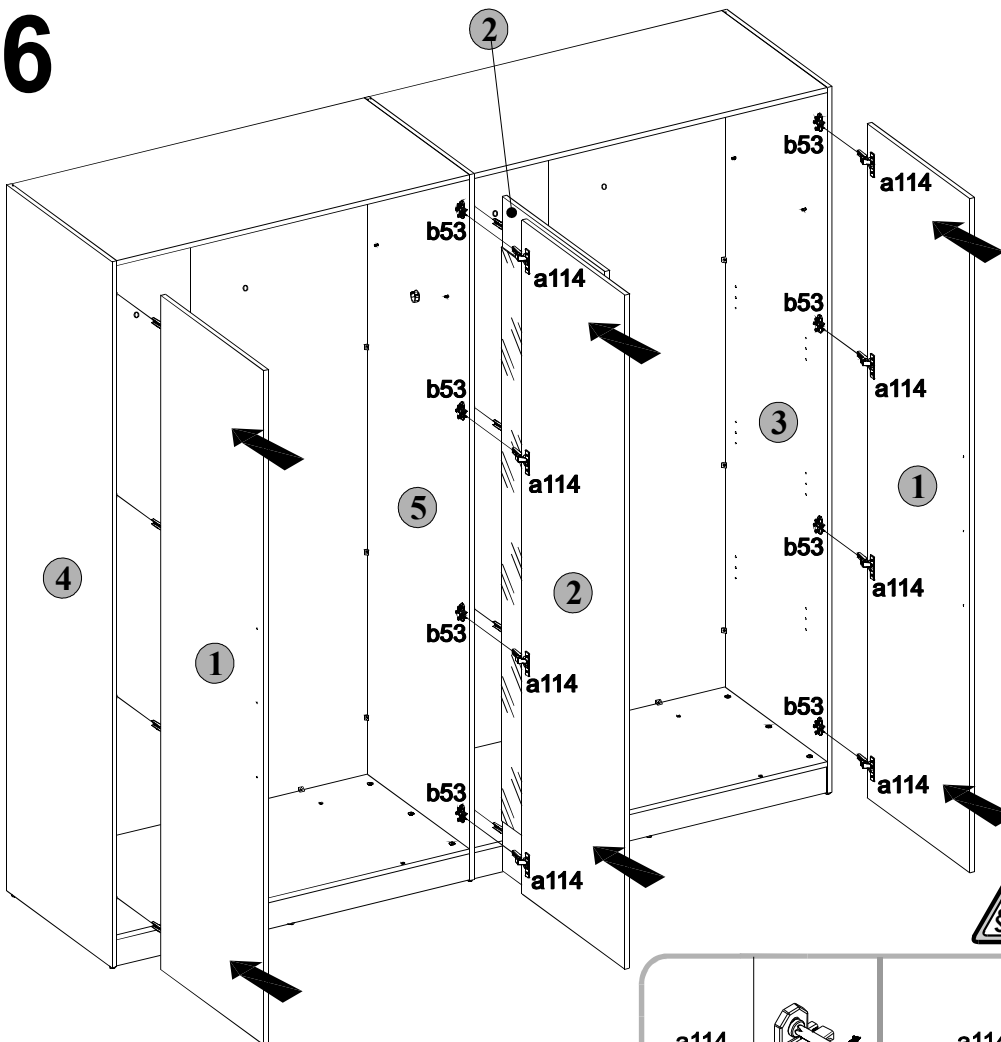
4



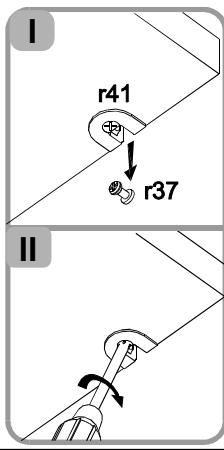
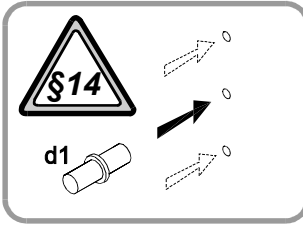
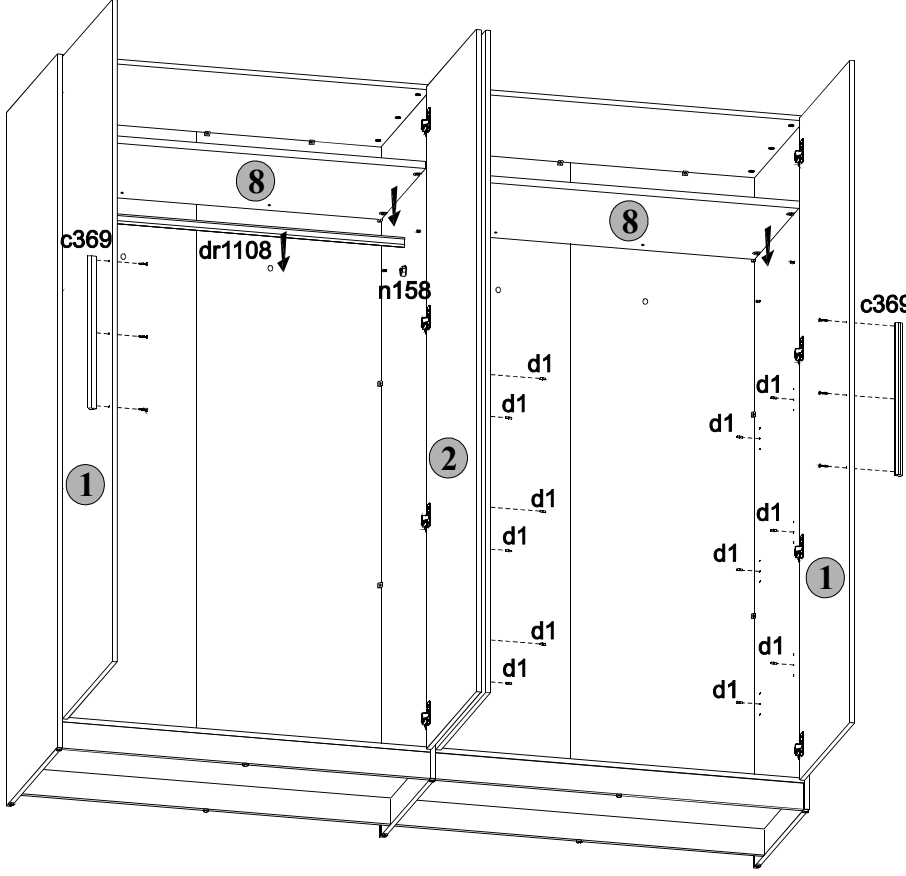
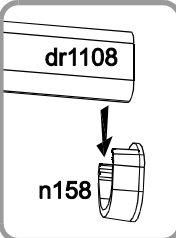
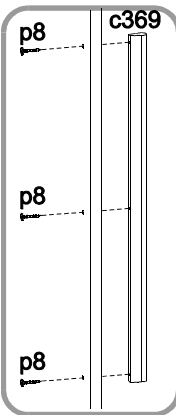
5



6



7



8

