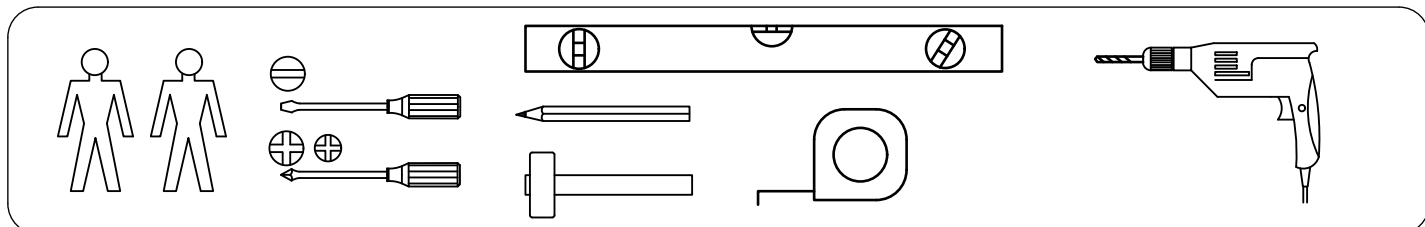
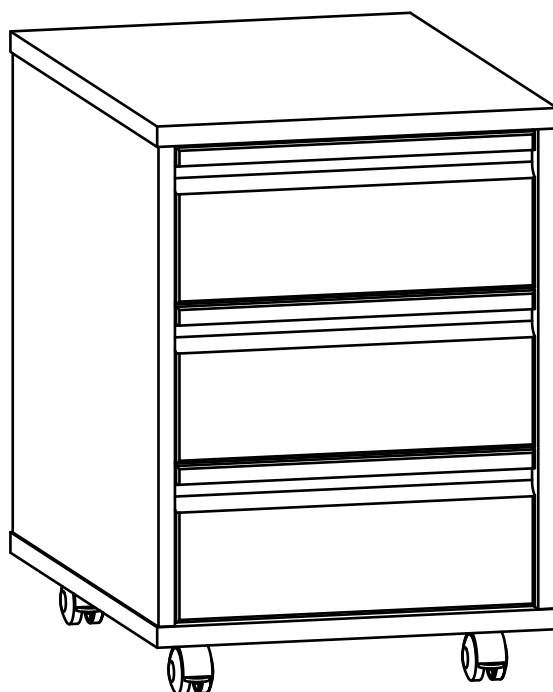
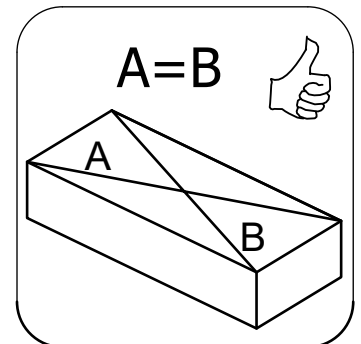
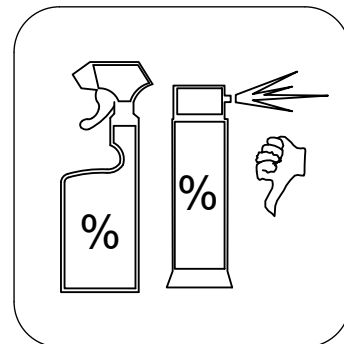
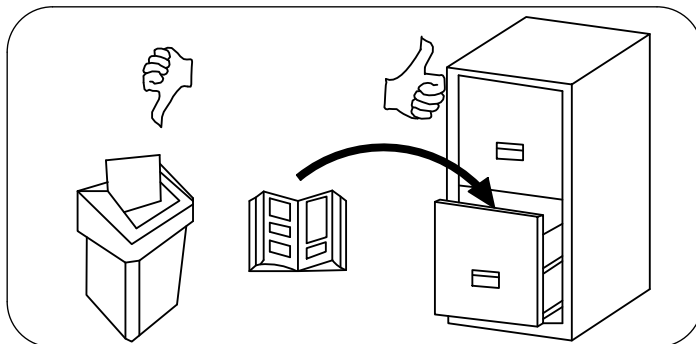
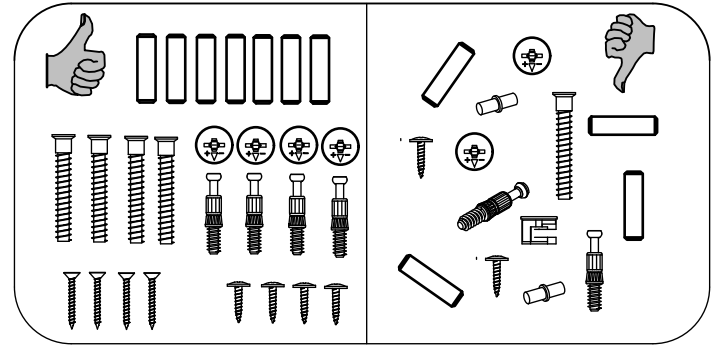
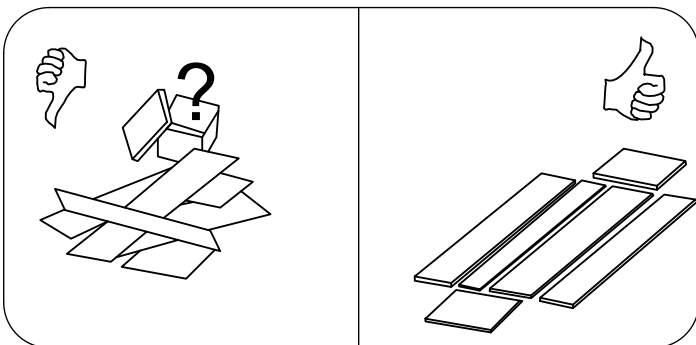
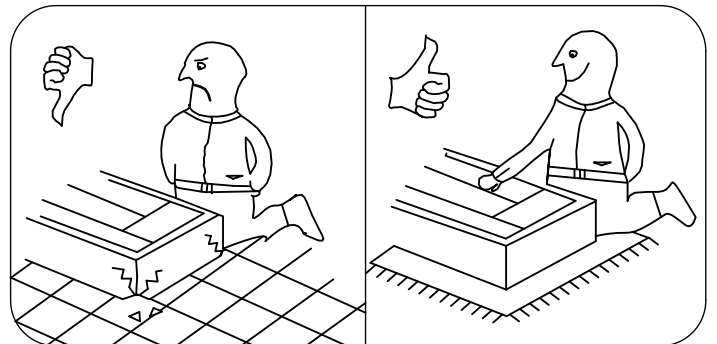
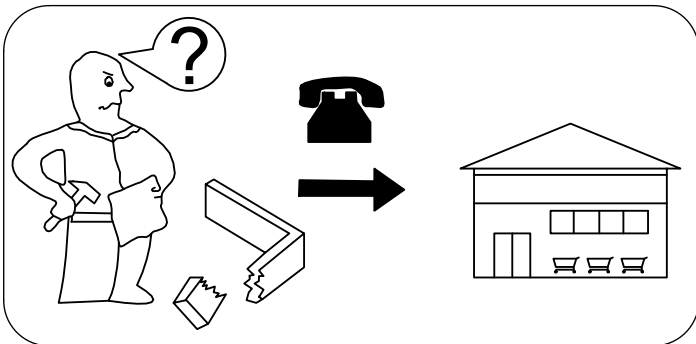
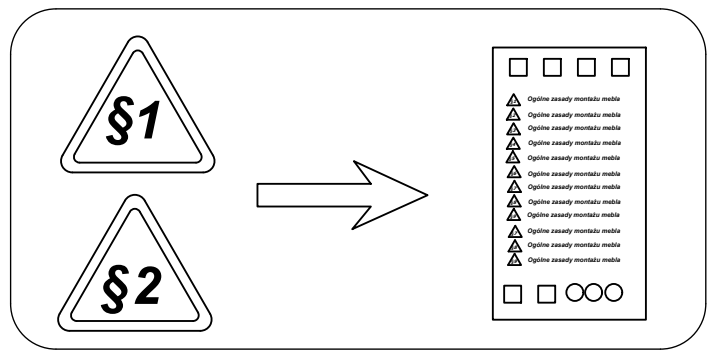
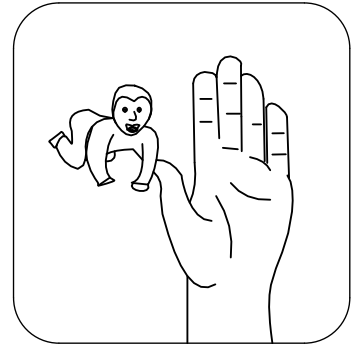
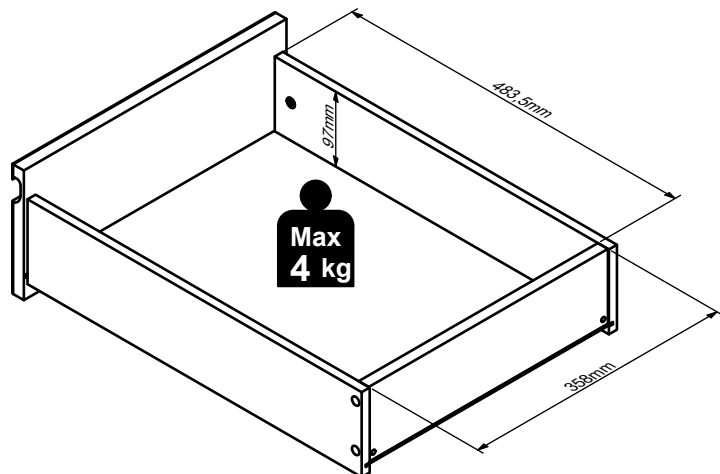
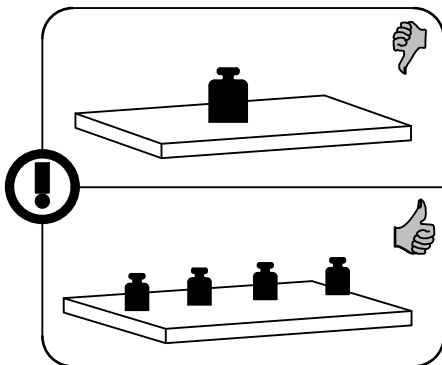
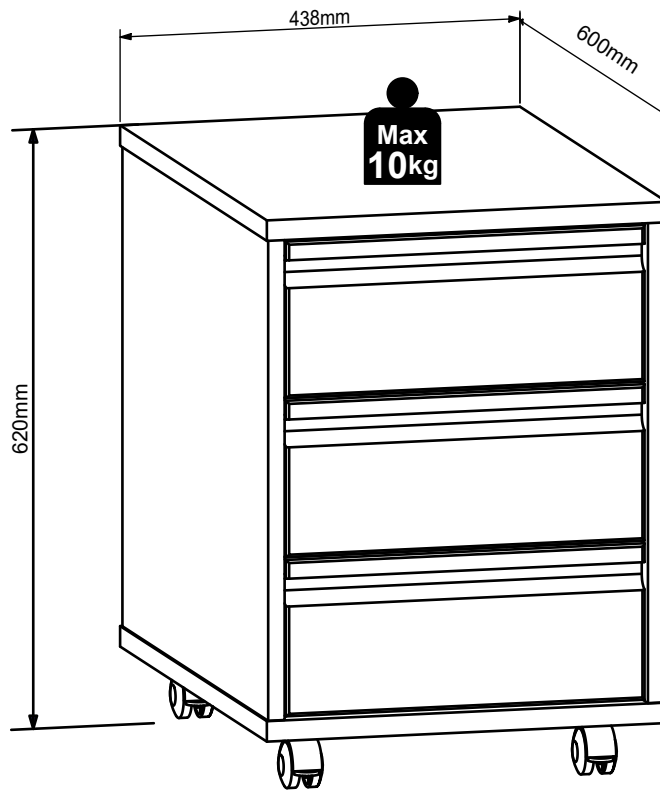


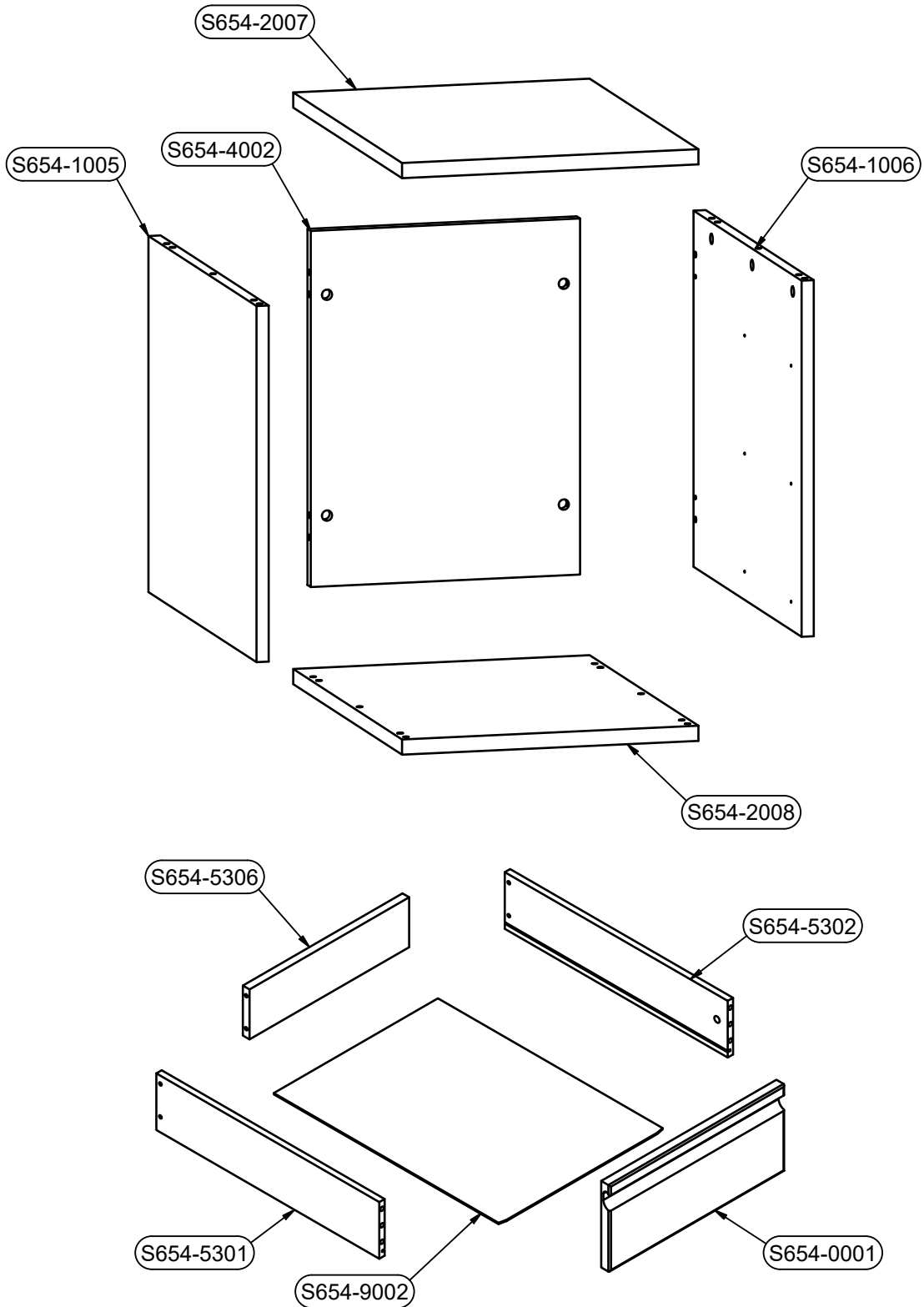
24270316/02



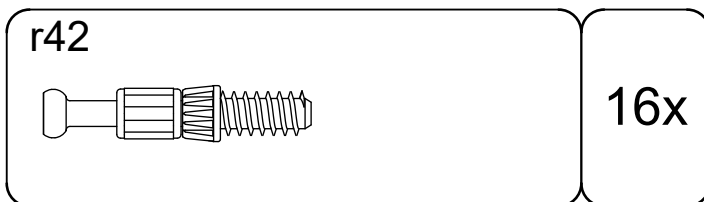
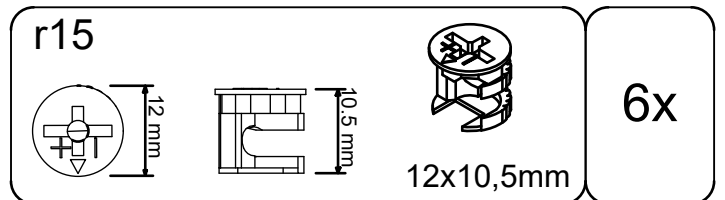
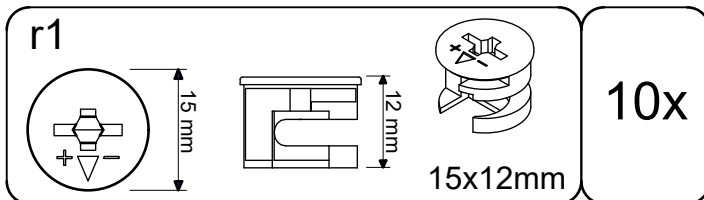
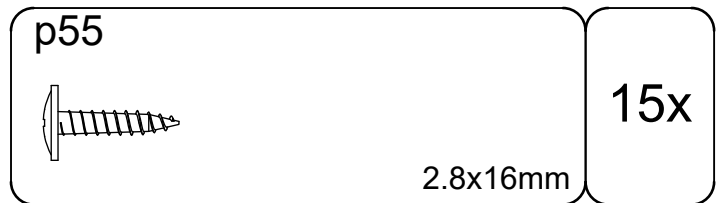
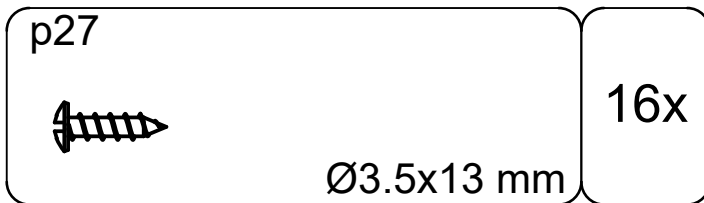
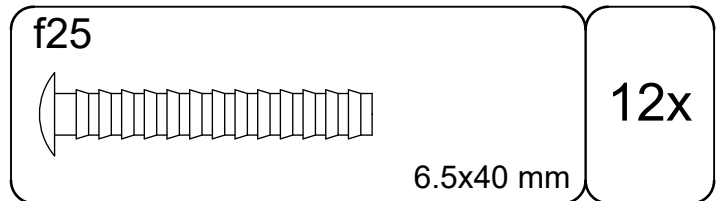
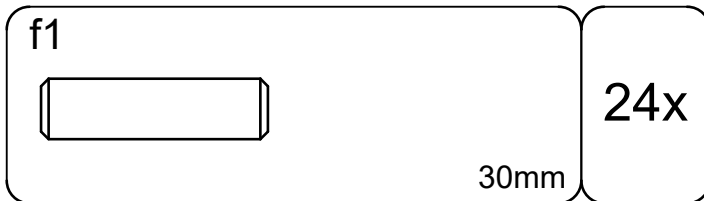
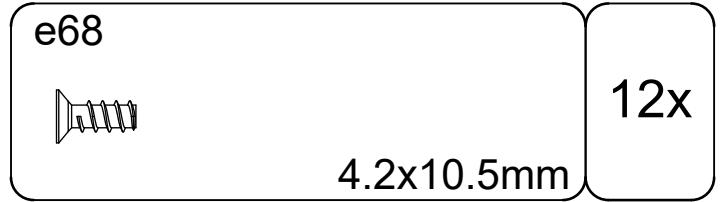
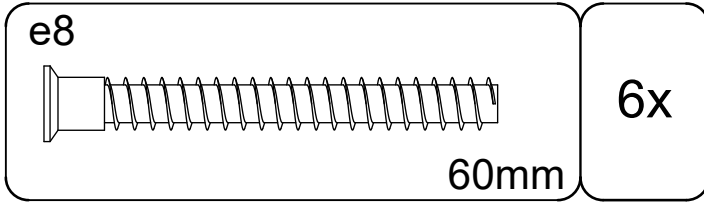
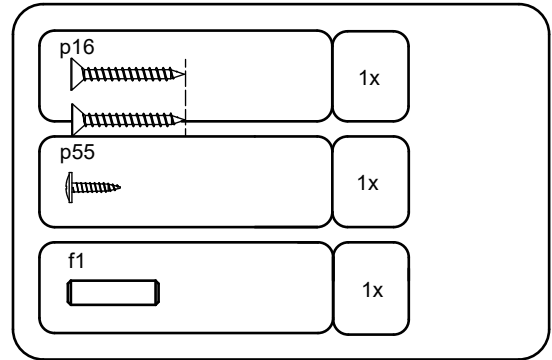
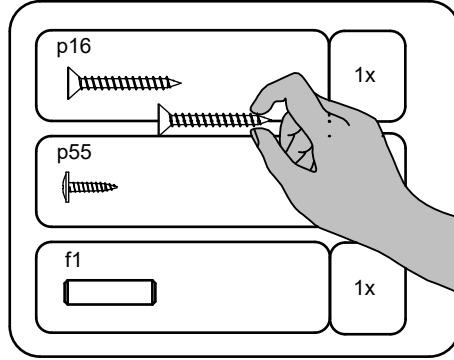




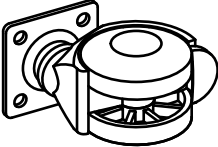
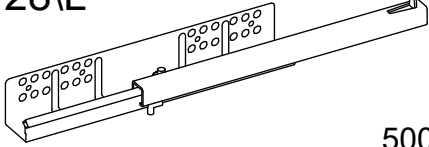
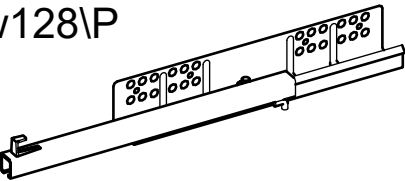
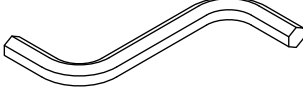
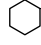
B1	B2	C1	C2	C3	C4	D
S654-0001	-	393	168	19	3	1/2
S654-1005	-	516	596	18	1	2/2
S654-1006	-	516	596	18	1	2/2
S654-2007	-	438	600	22	1	1/2
S654-2008	-	438	600	22	1	1/2
S654-4002	-	516	398	18	1	1/2
S654-5301	-	500	110	12	3	1/2
S654-5302	-	500	110	12	3	1/2
S654-5306	-	358	97	15	3	1/2
S654-9002	-	368	507	2,5	3	1/2



1:1



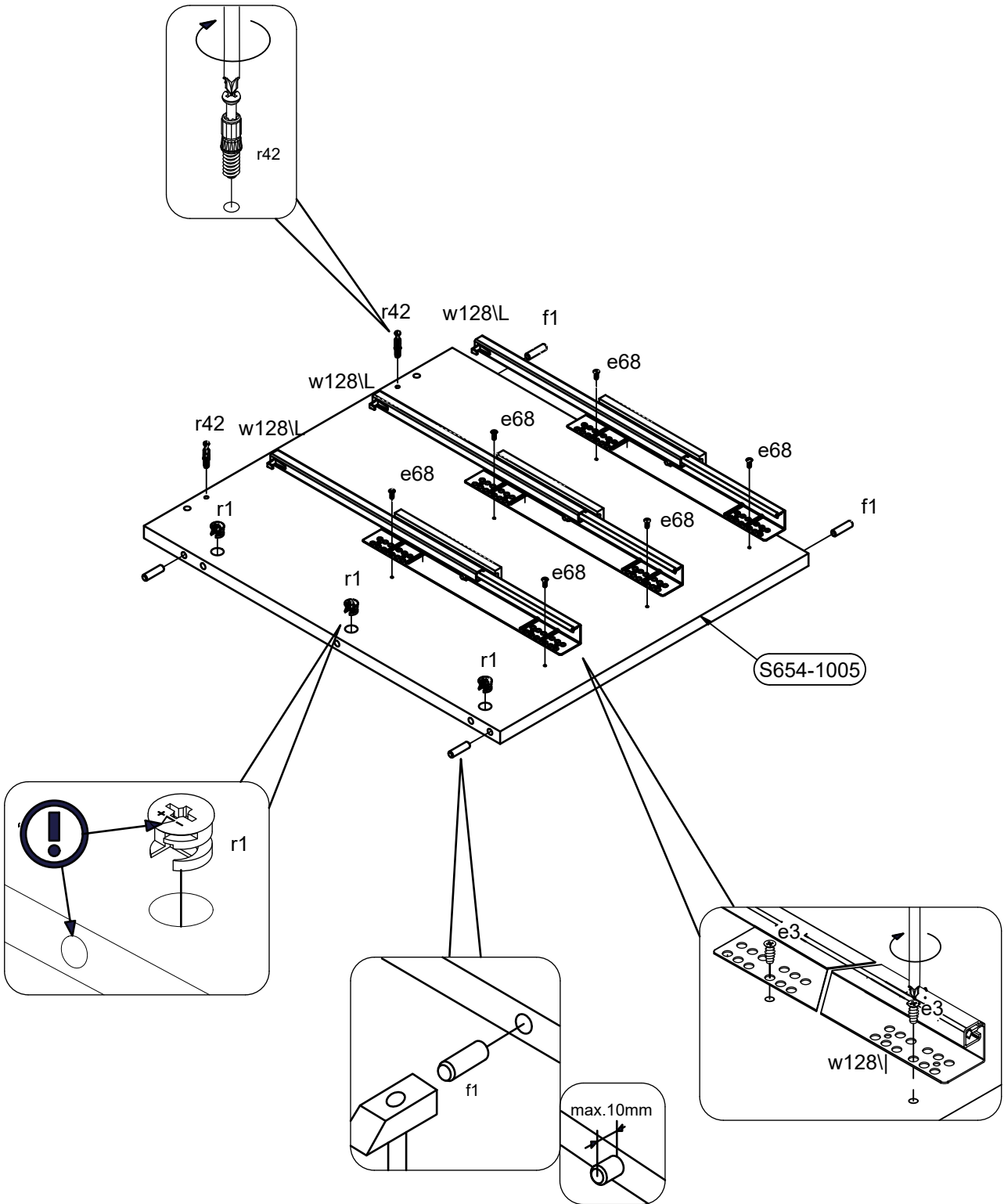
~~1:1~~

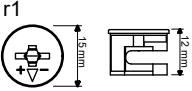

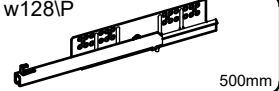
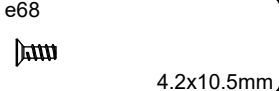
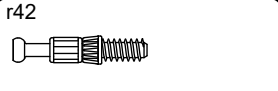
<p>k13</p> 	<p>4x</p>	<p>w128\L</p>  <p>500mm</p>	<p>3x</p>
<p>w128\P</p>  <p>500mm</p>	<p>3x</p>	<p>z1</p>  <p> 4mm</p>	<p>1x</p>

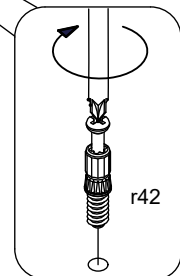
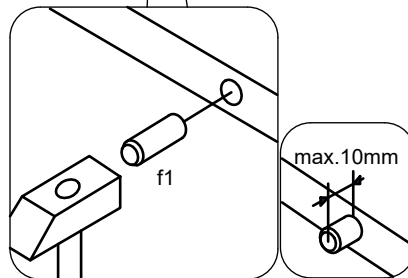
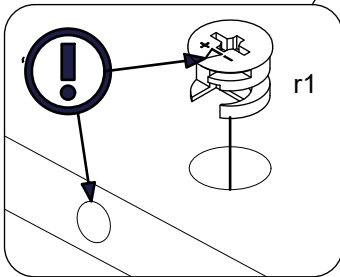
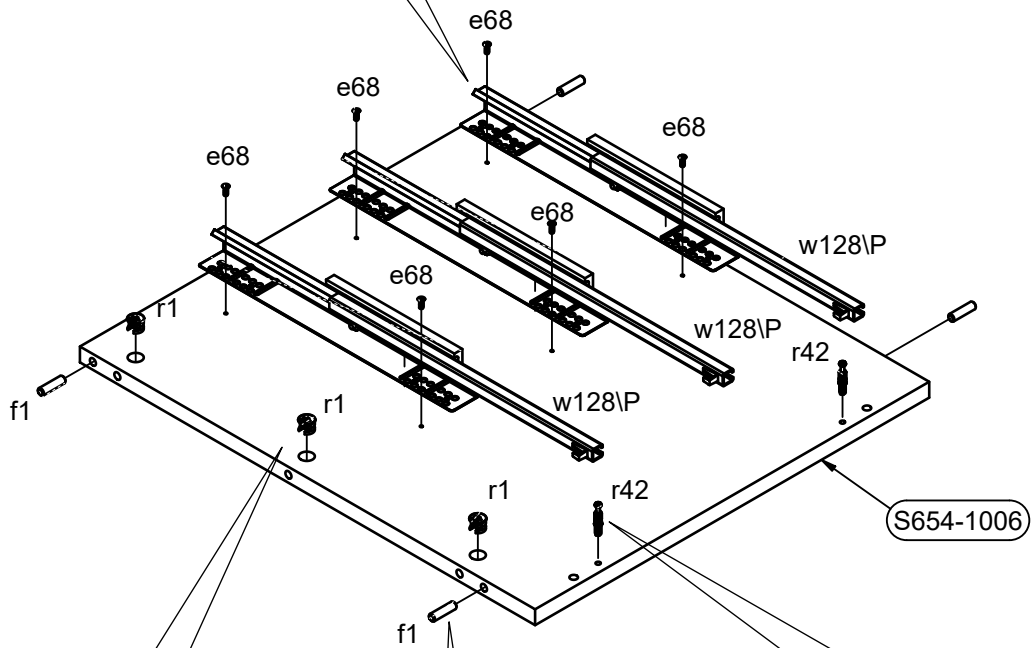
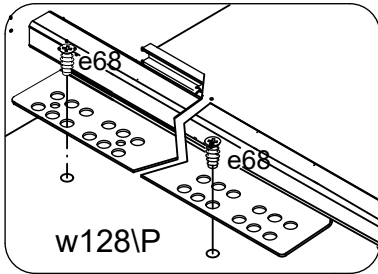
A**S654-KTN3S**

7 / 15

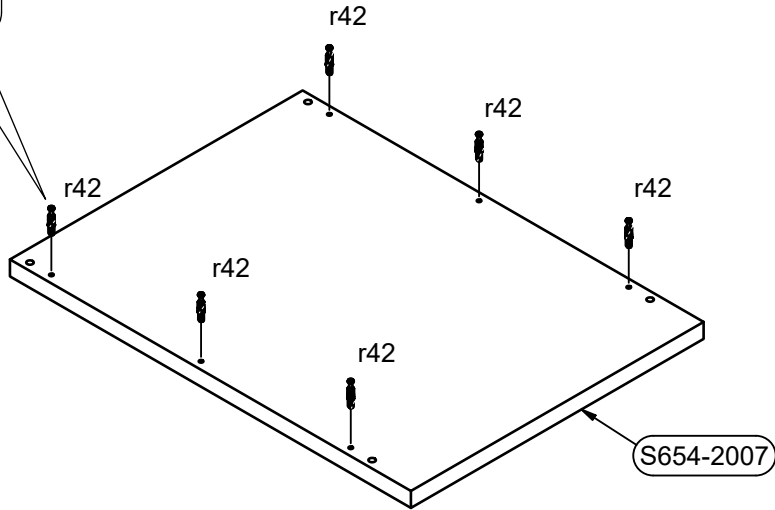
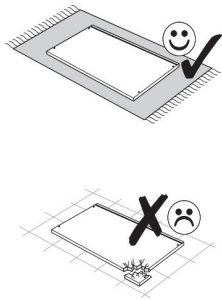
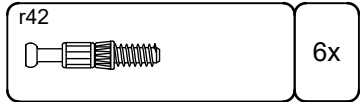
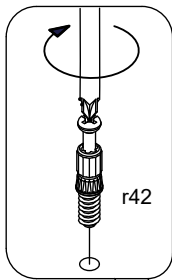
 r1 15x12mm	 f1 30mm	 w128\L 500mm	3x	4x	3x	 e68 4.2x10.5mm	6x
1						 r42 2x	2x



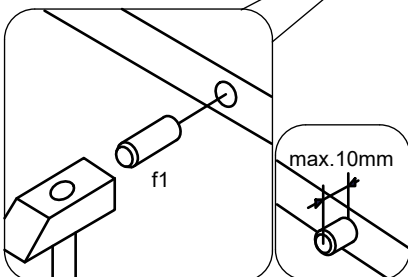
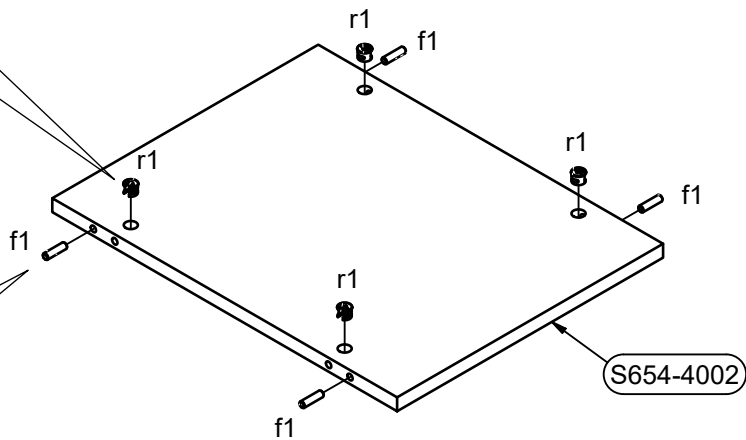
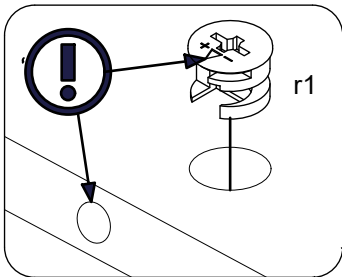
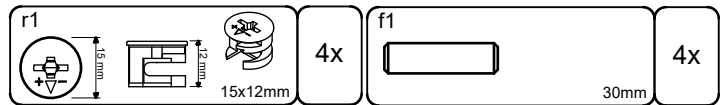
r1 	f1 	w128\P 	e68 	r42 
--	---	--	--	--



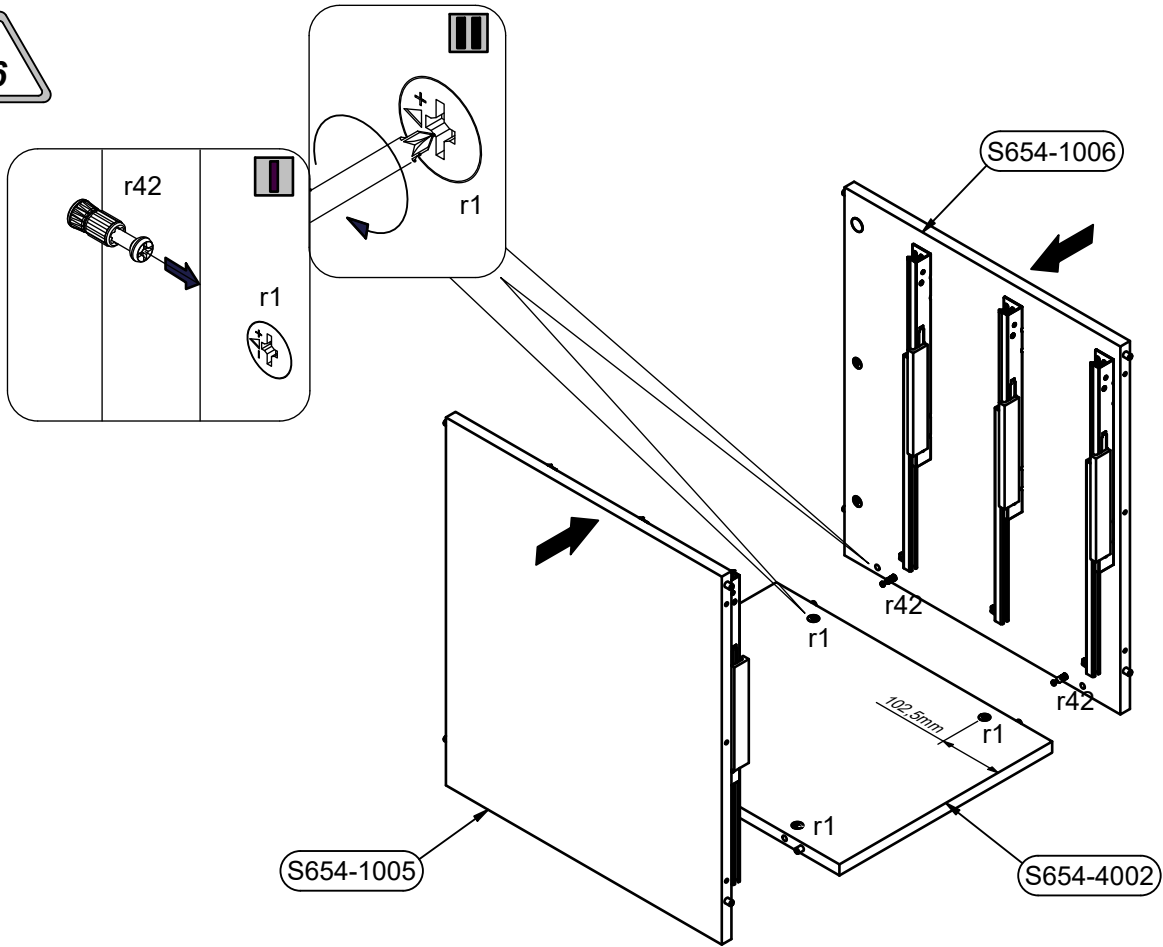
3



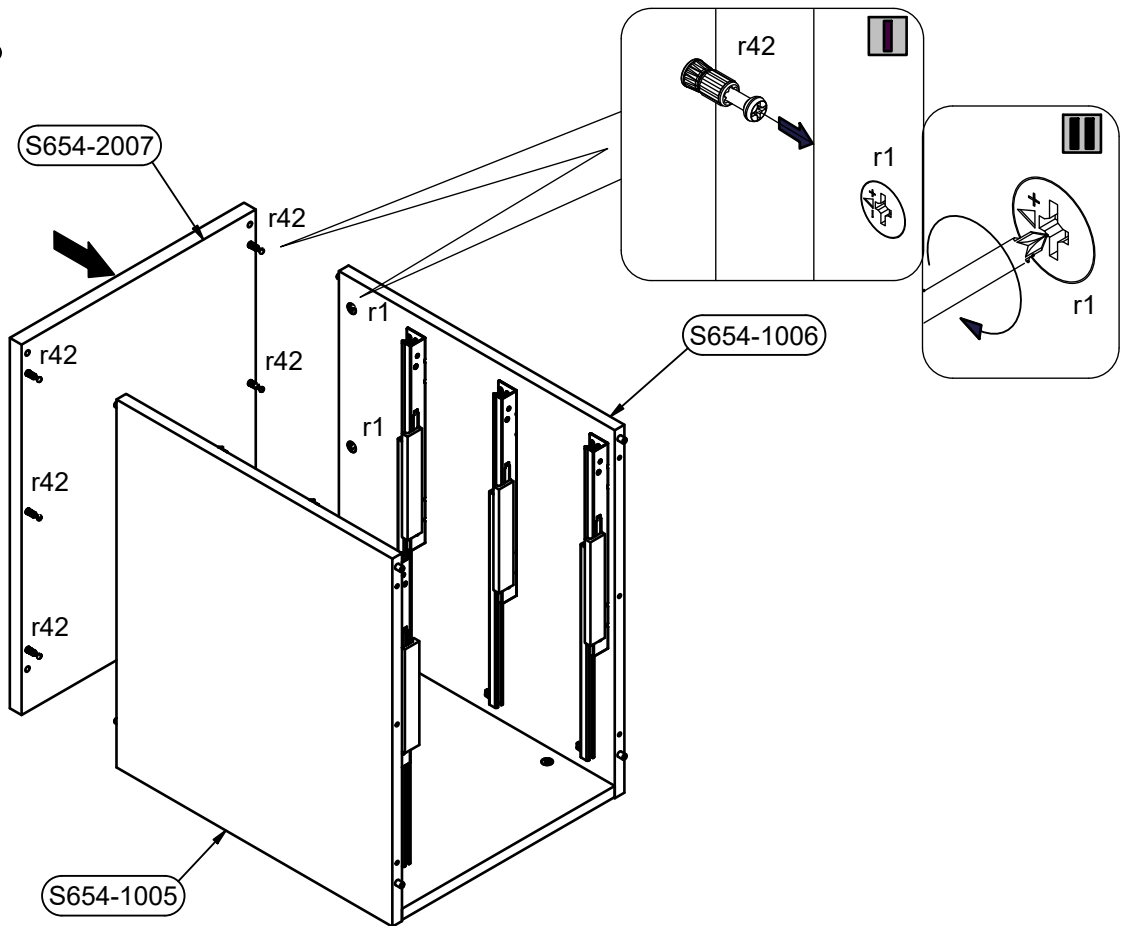
4



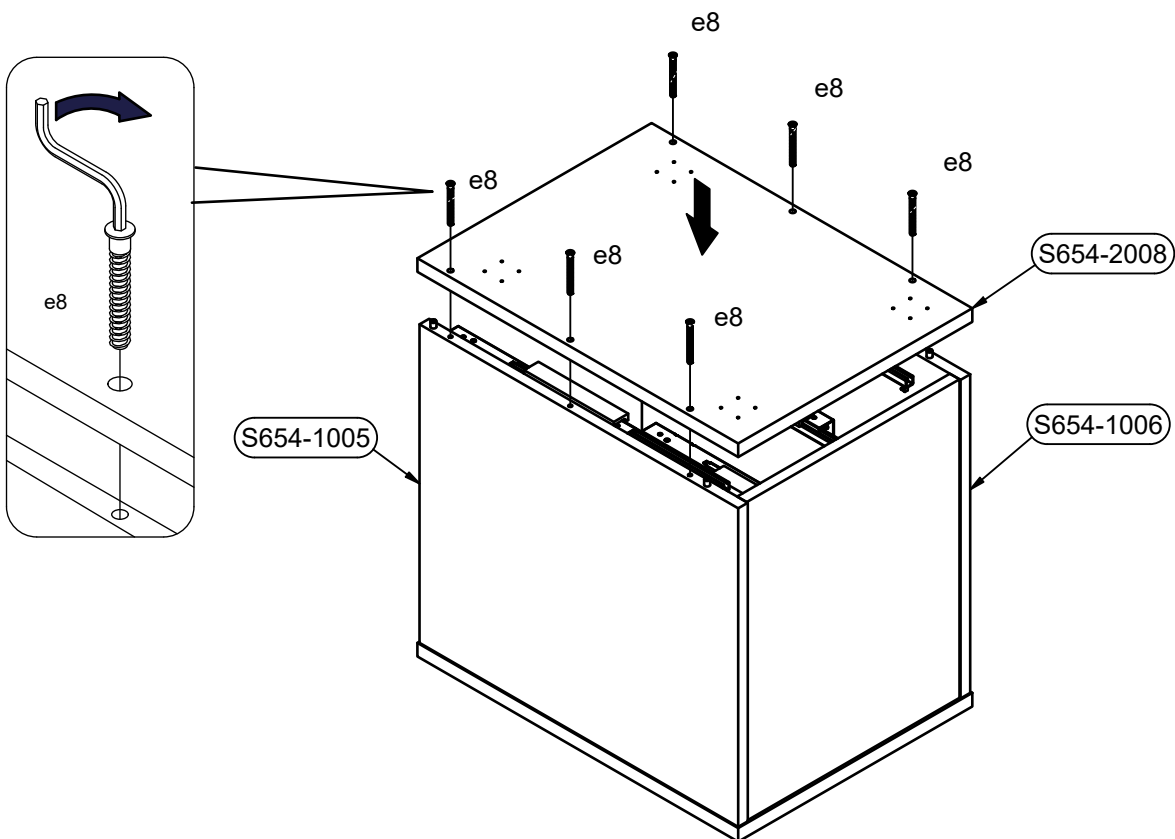
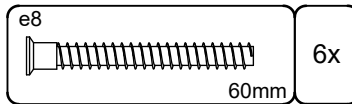
5 



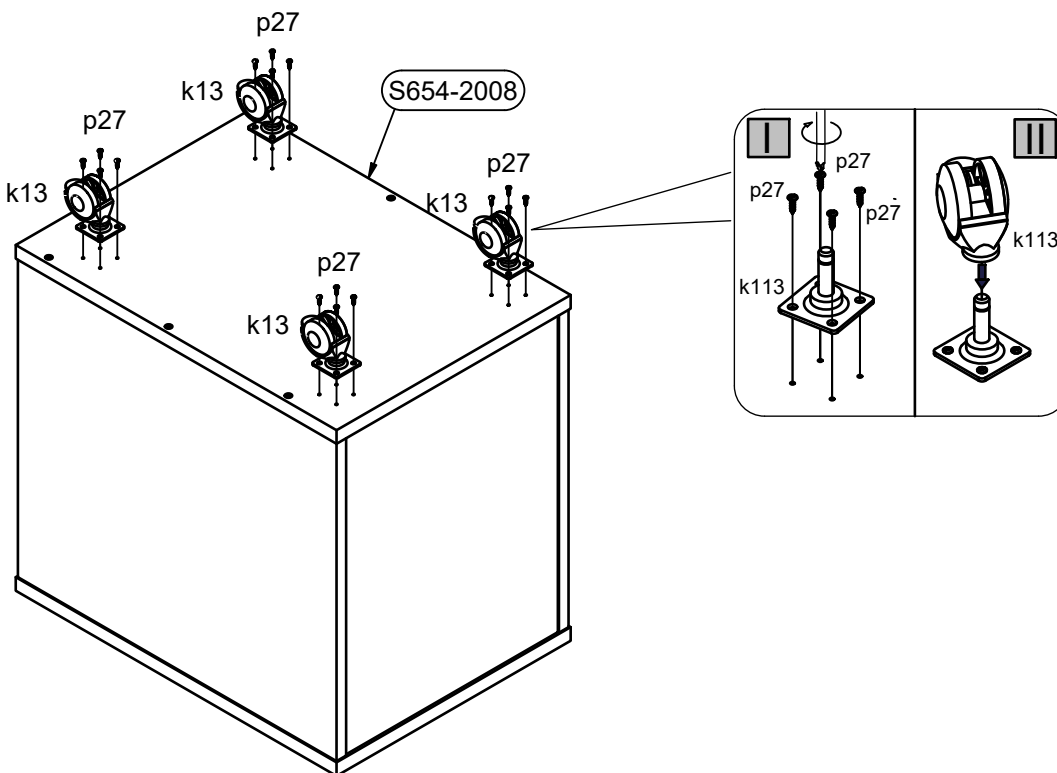
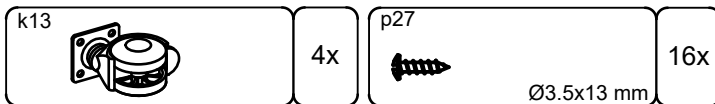
6 



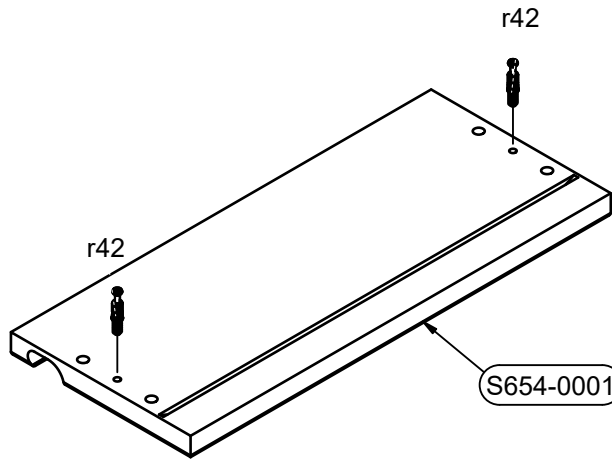
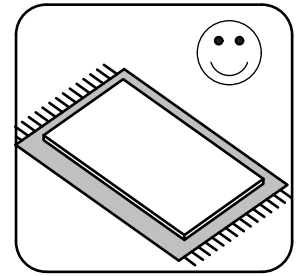
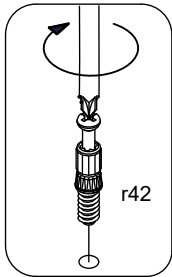
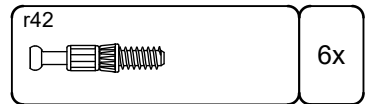
7



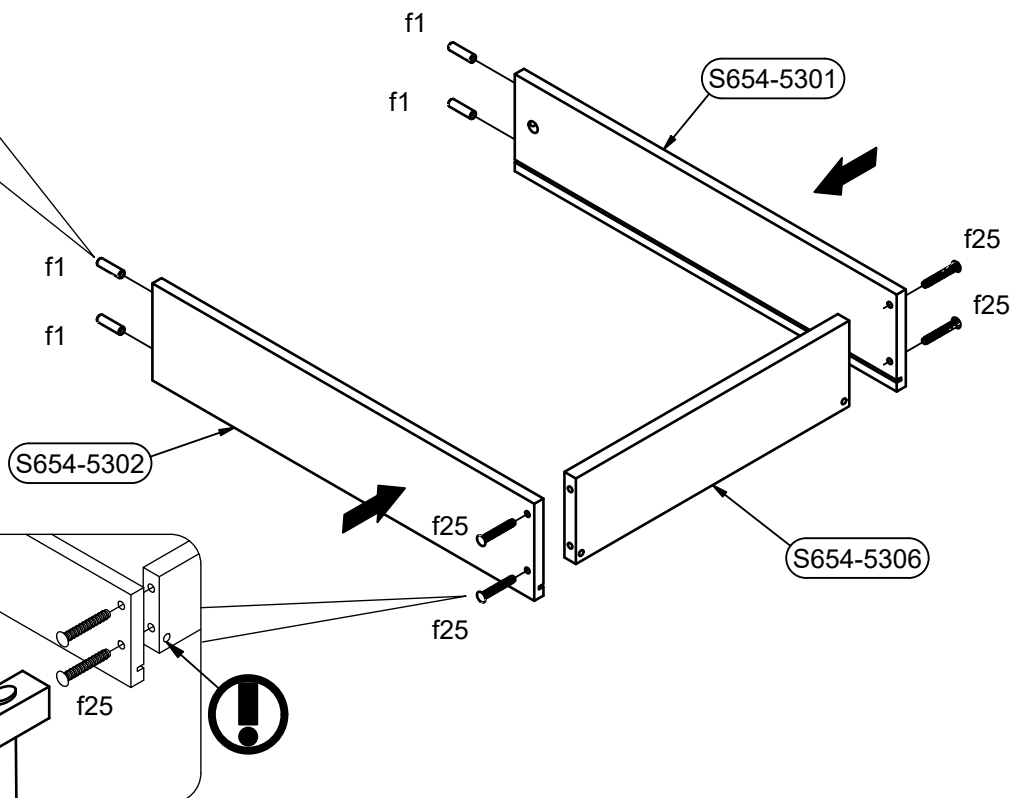
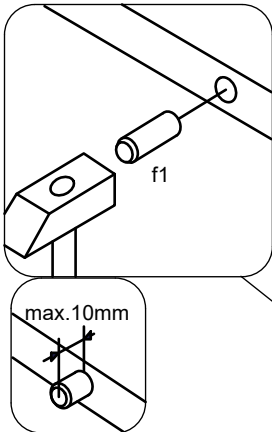
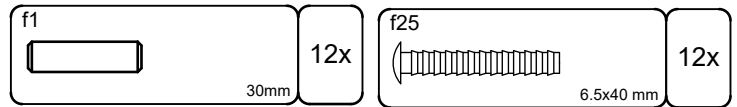
8



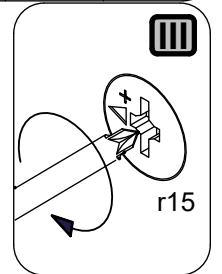
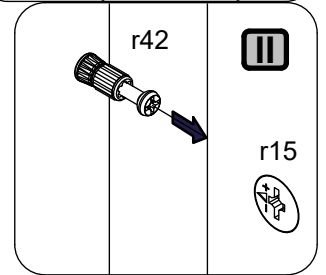
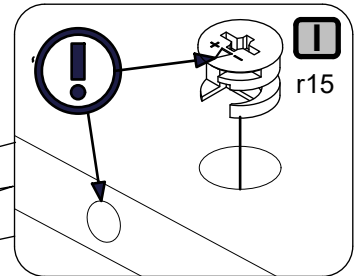
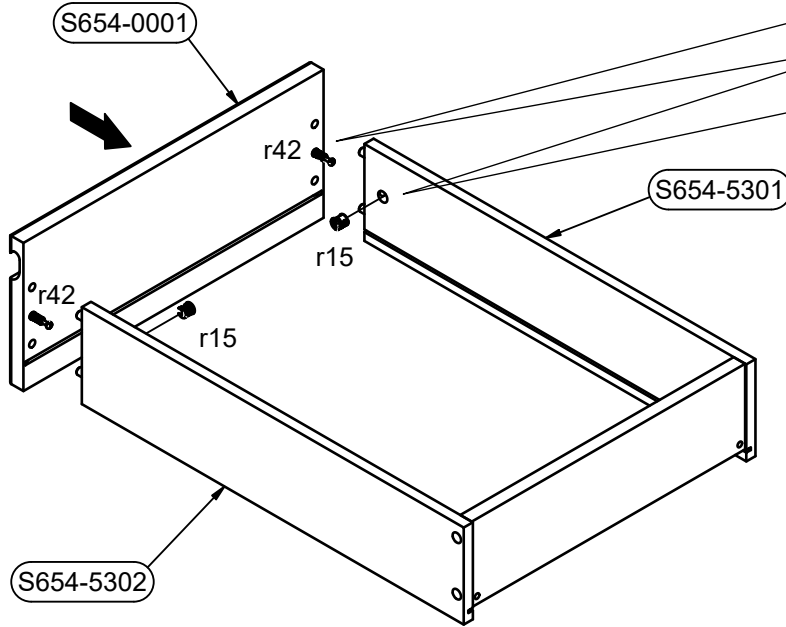
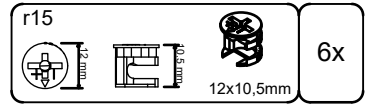
9
3x



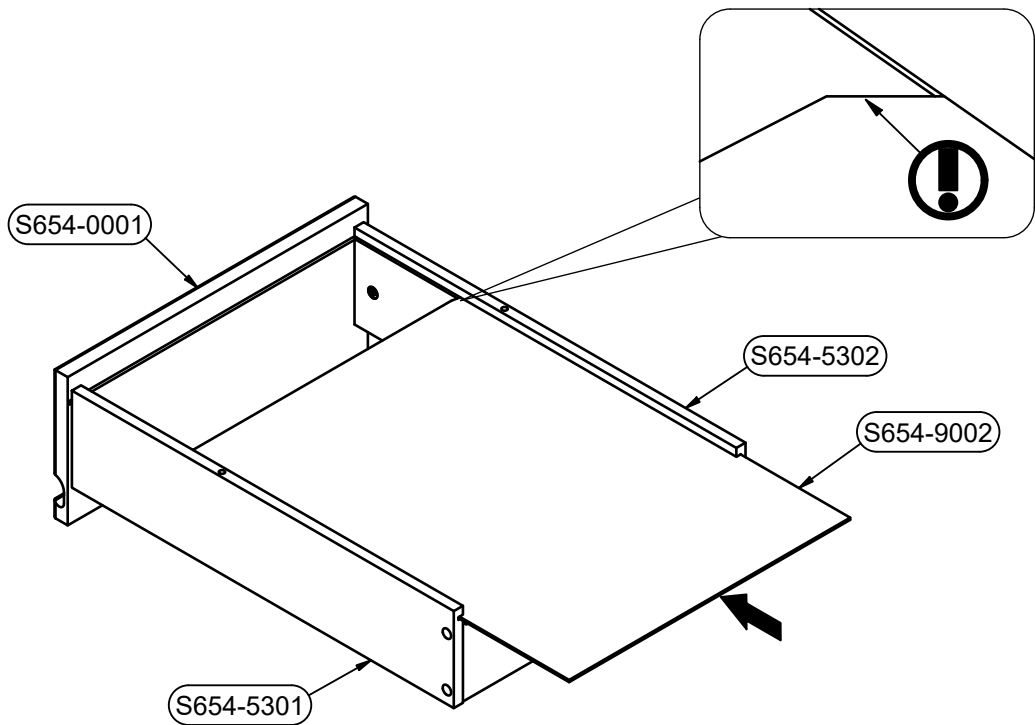
10
3x



11

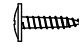


12

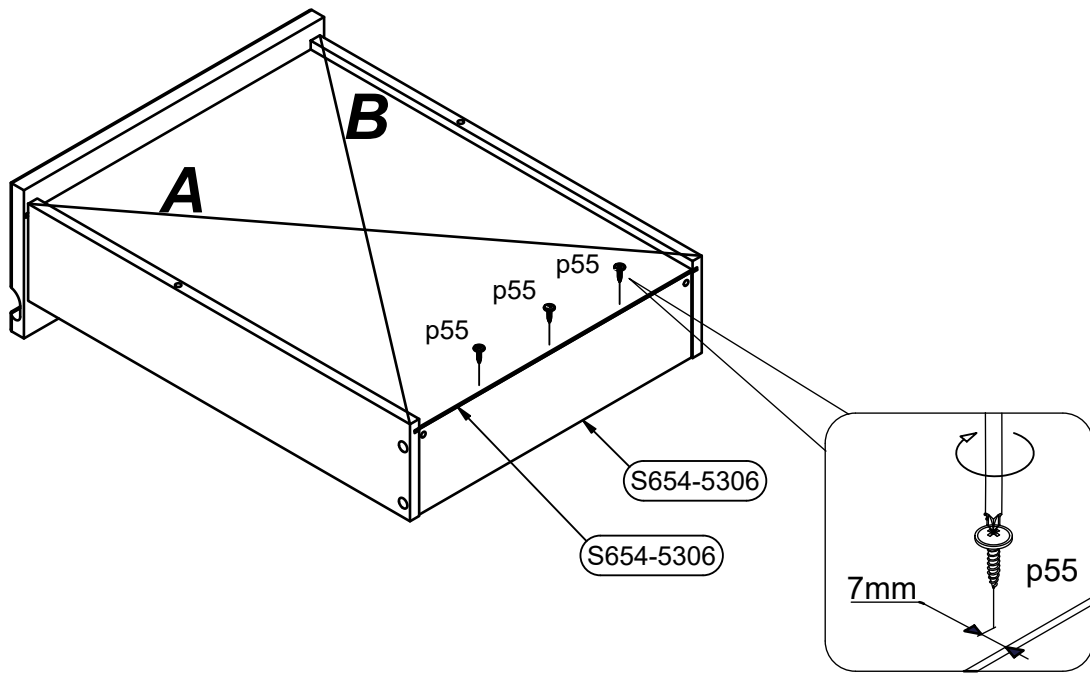


13

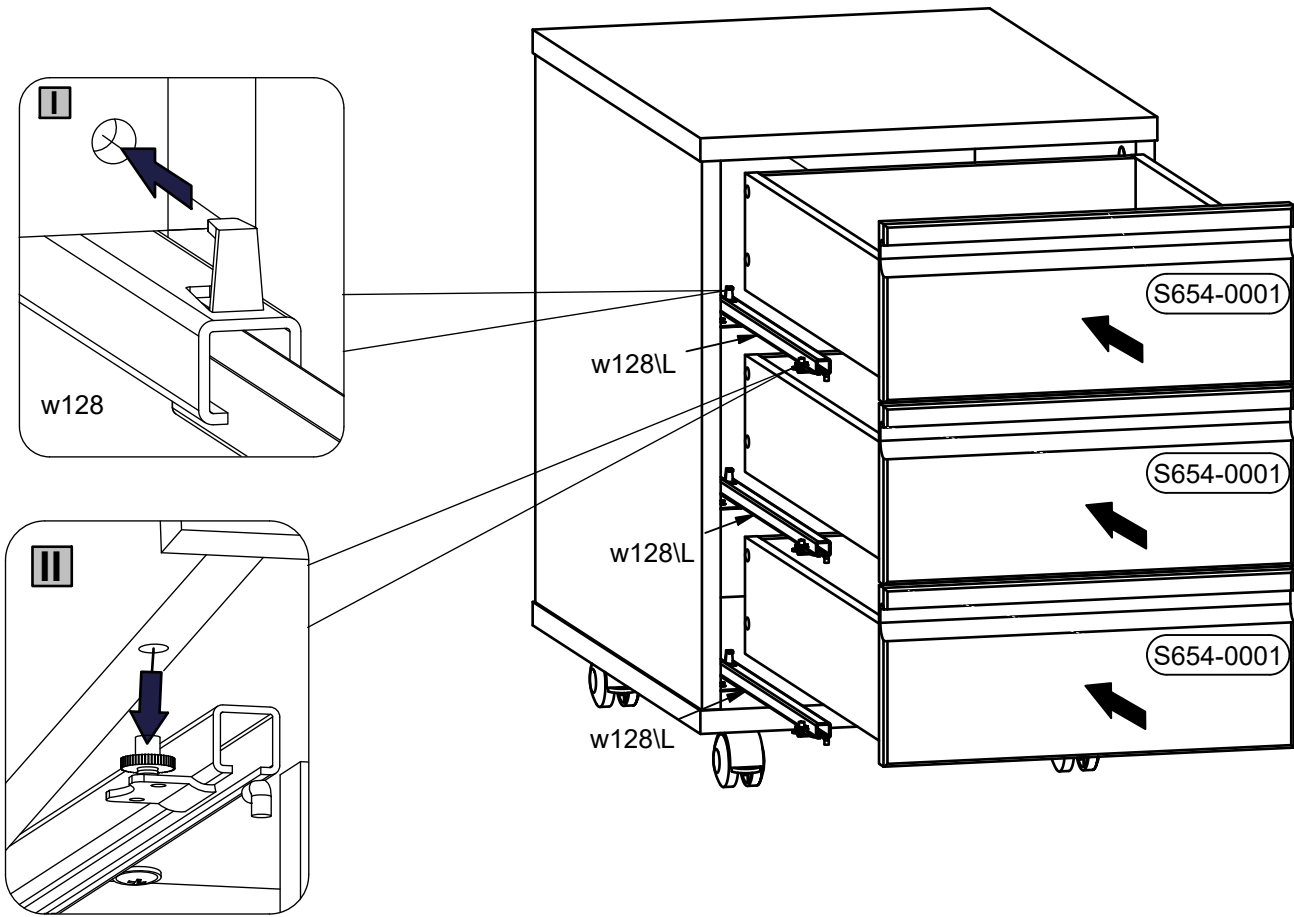


p55 	9x
2.8x16mm	

A=B



14



15

