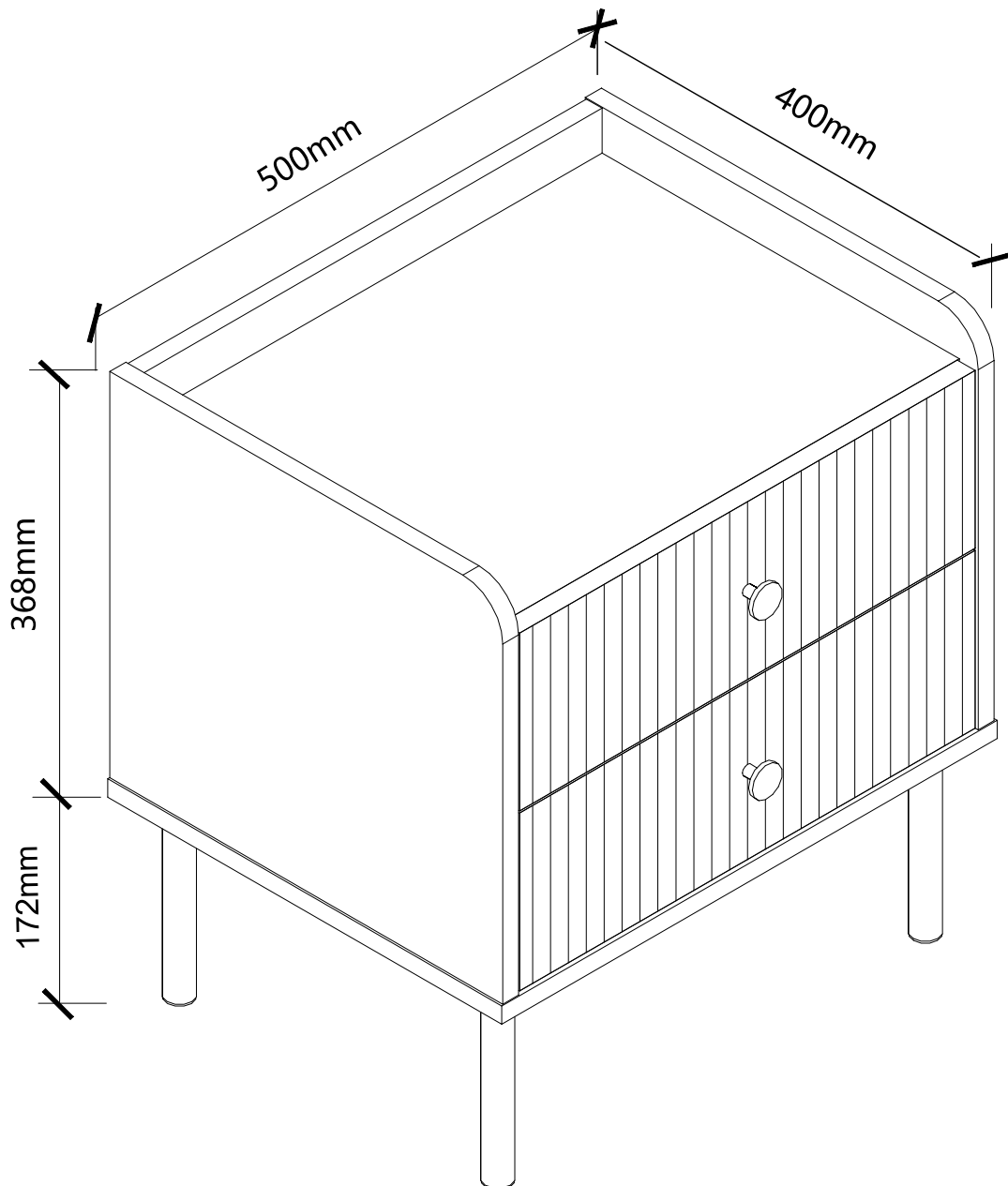
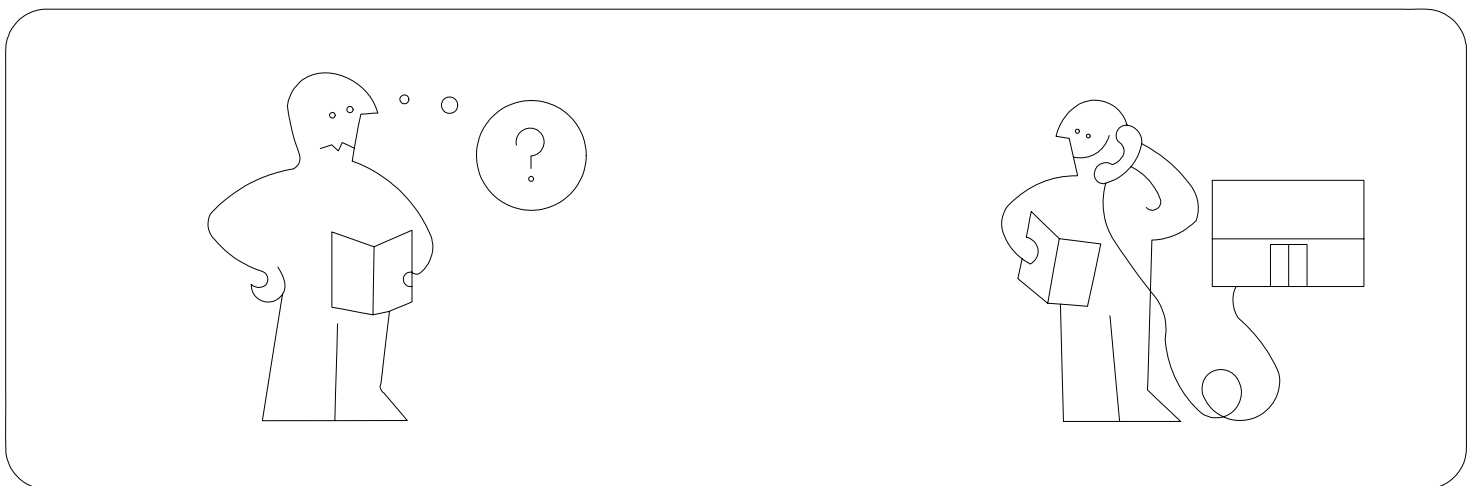
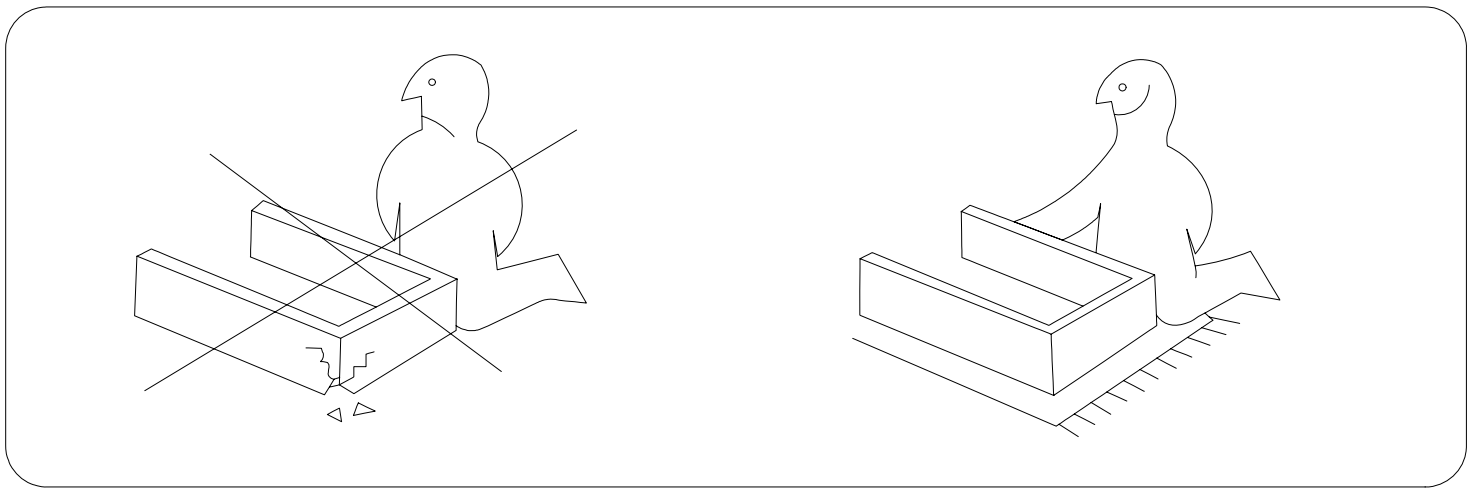
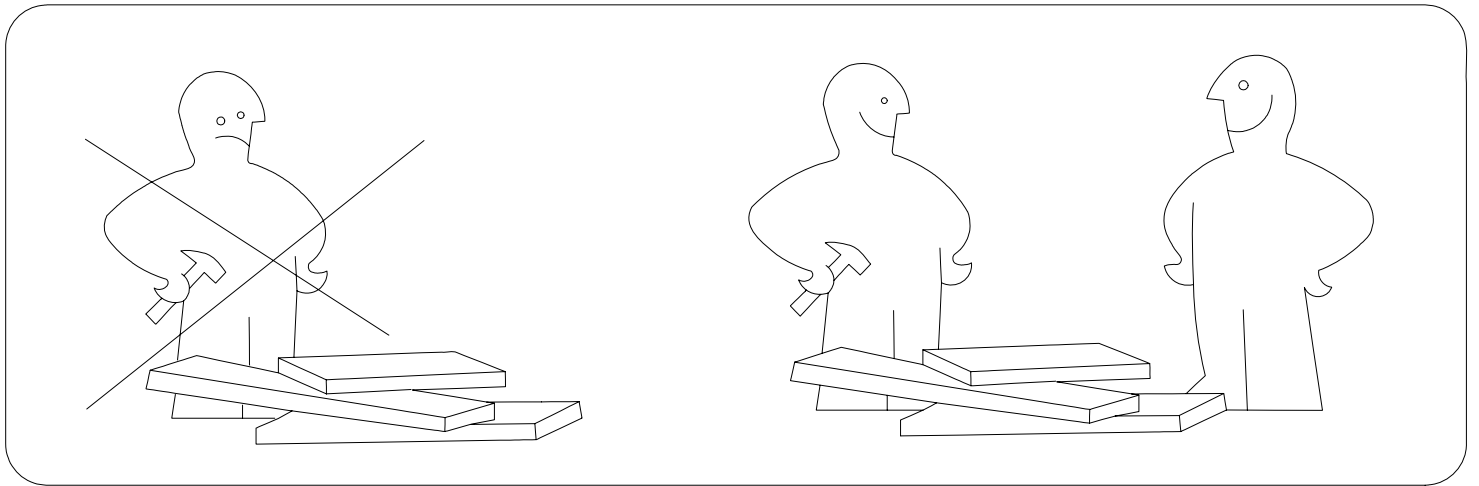
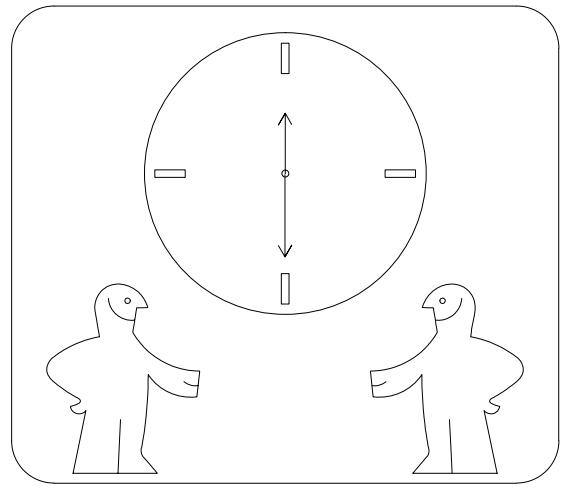
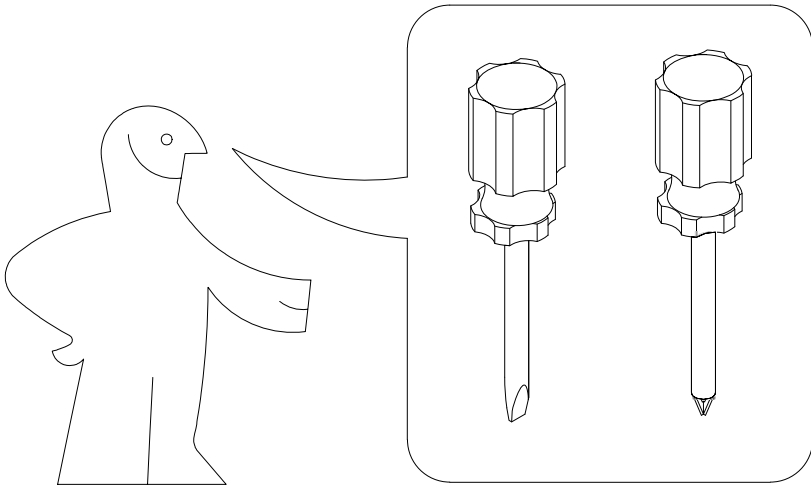
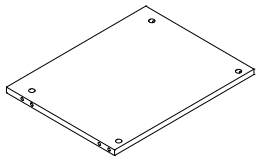
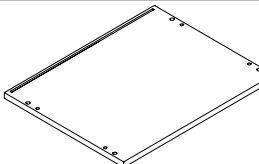
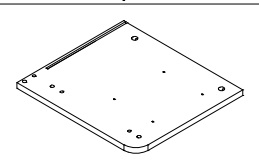
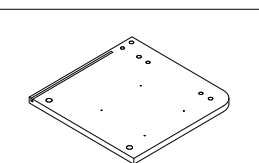
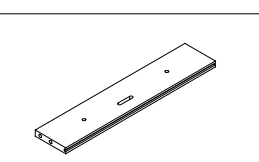
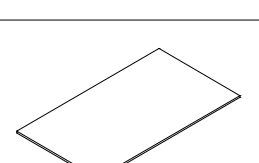
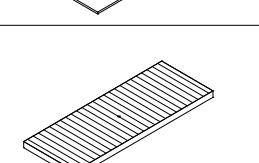
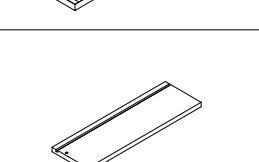
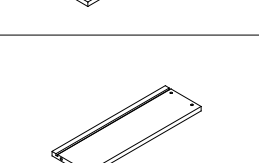
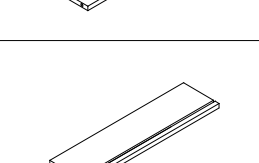
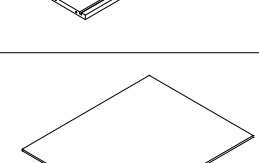


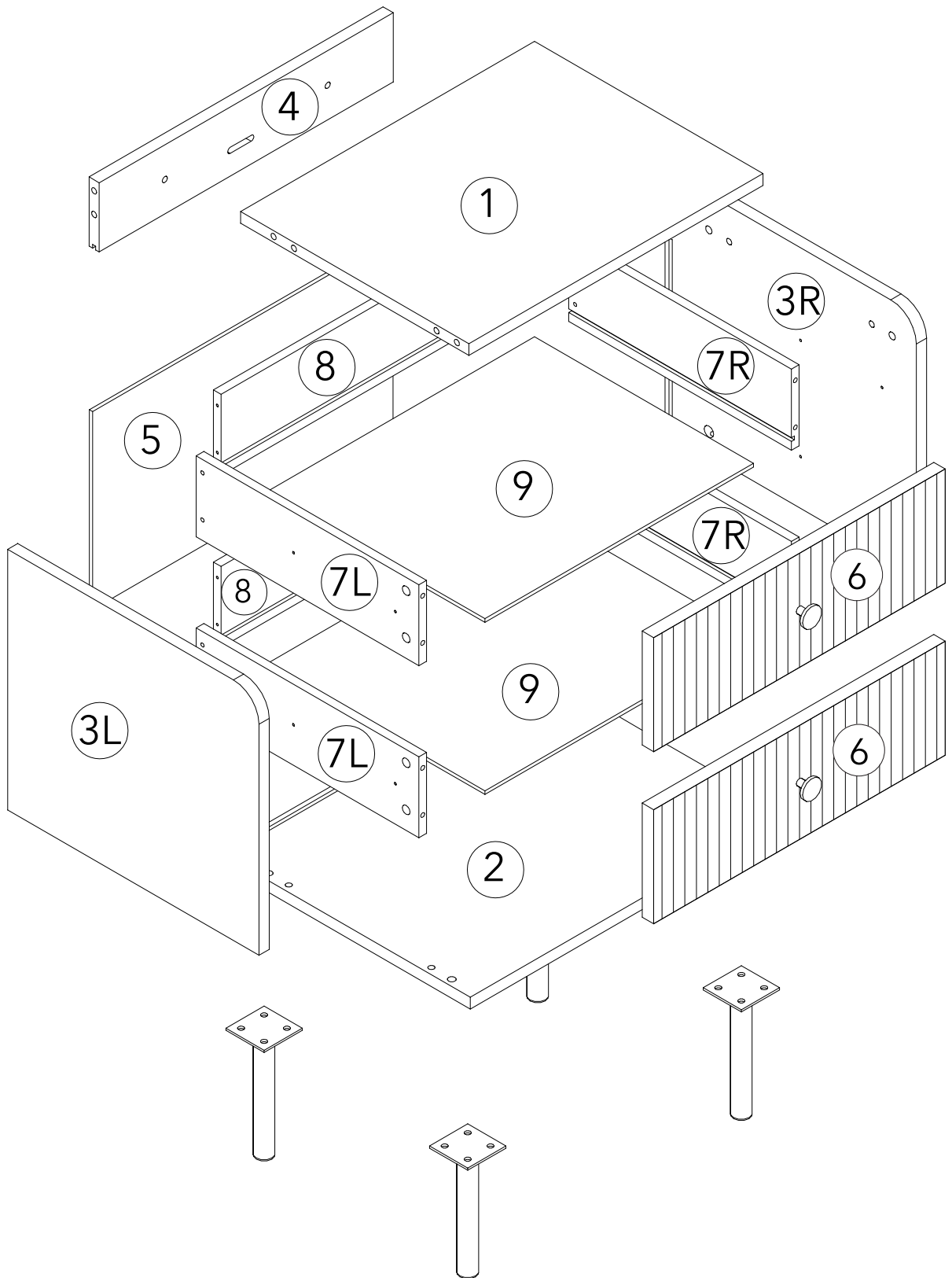
24790002/02
24790002/12

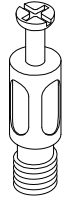

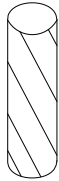

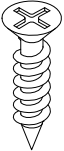
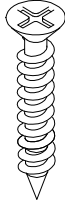
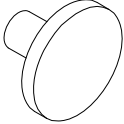
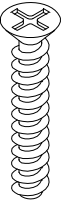
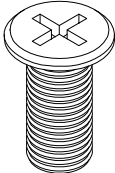
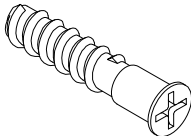
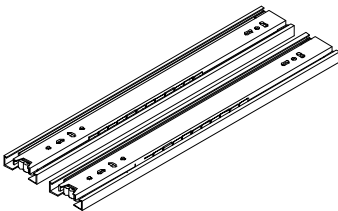
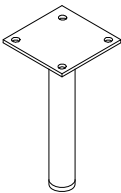
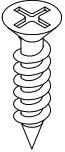
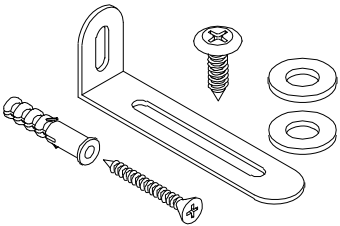

XXXLUTZ KG
Roemerstrasse 39
AT-4600 Wels, Austria
E-Mail: info@xxxlutz.at





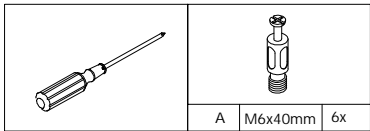
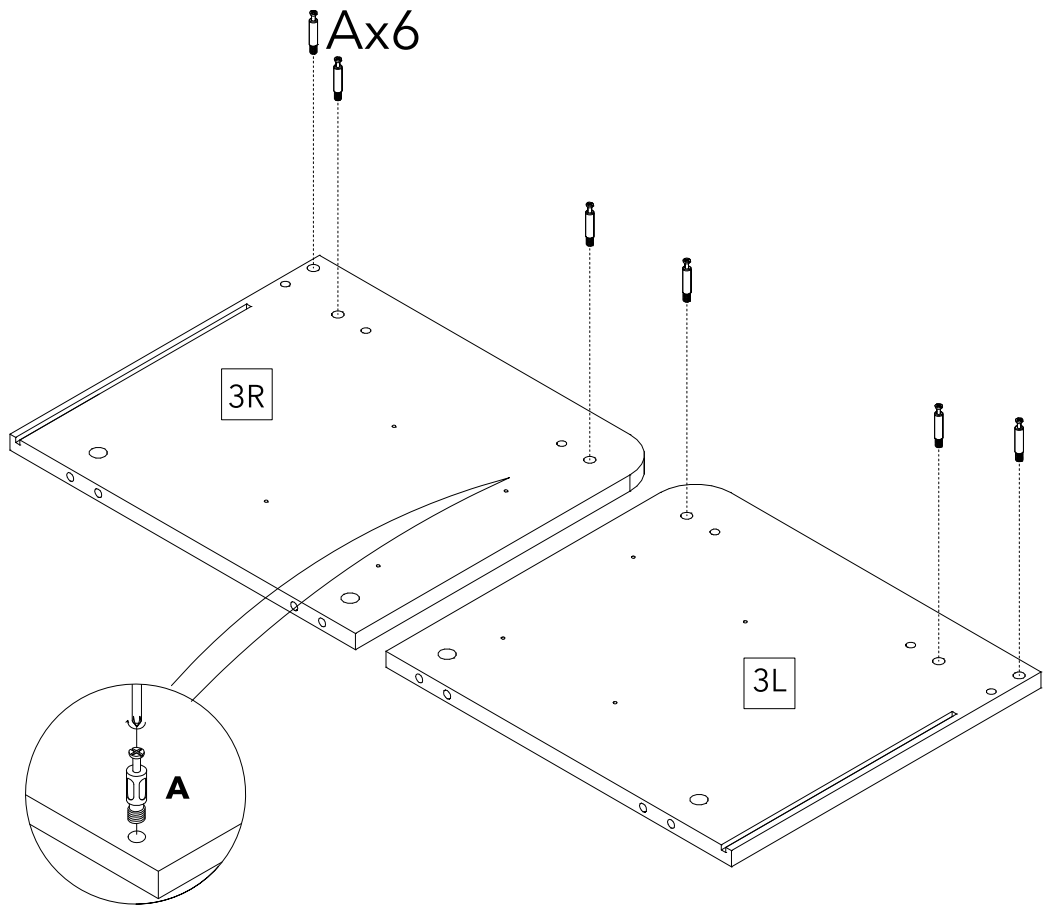
1	462x359x16		1
2	498x396x16		1
3L	395x354x16		1
3R	395x354x16		1
4	462x94x16		1
5	472x269x5		1
6	458x155x18		2
7L	350x110x12		2
7R	350x110x12		2
8	413x110x12		2
9	423x344x5		2



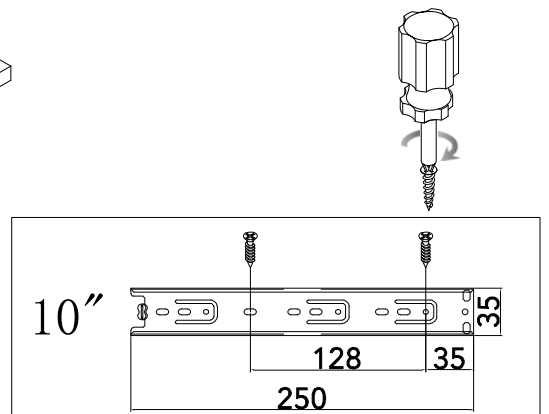
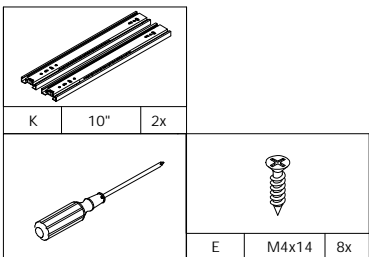
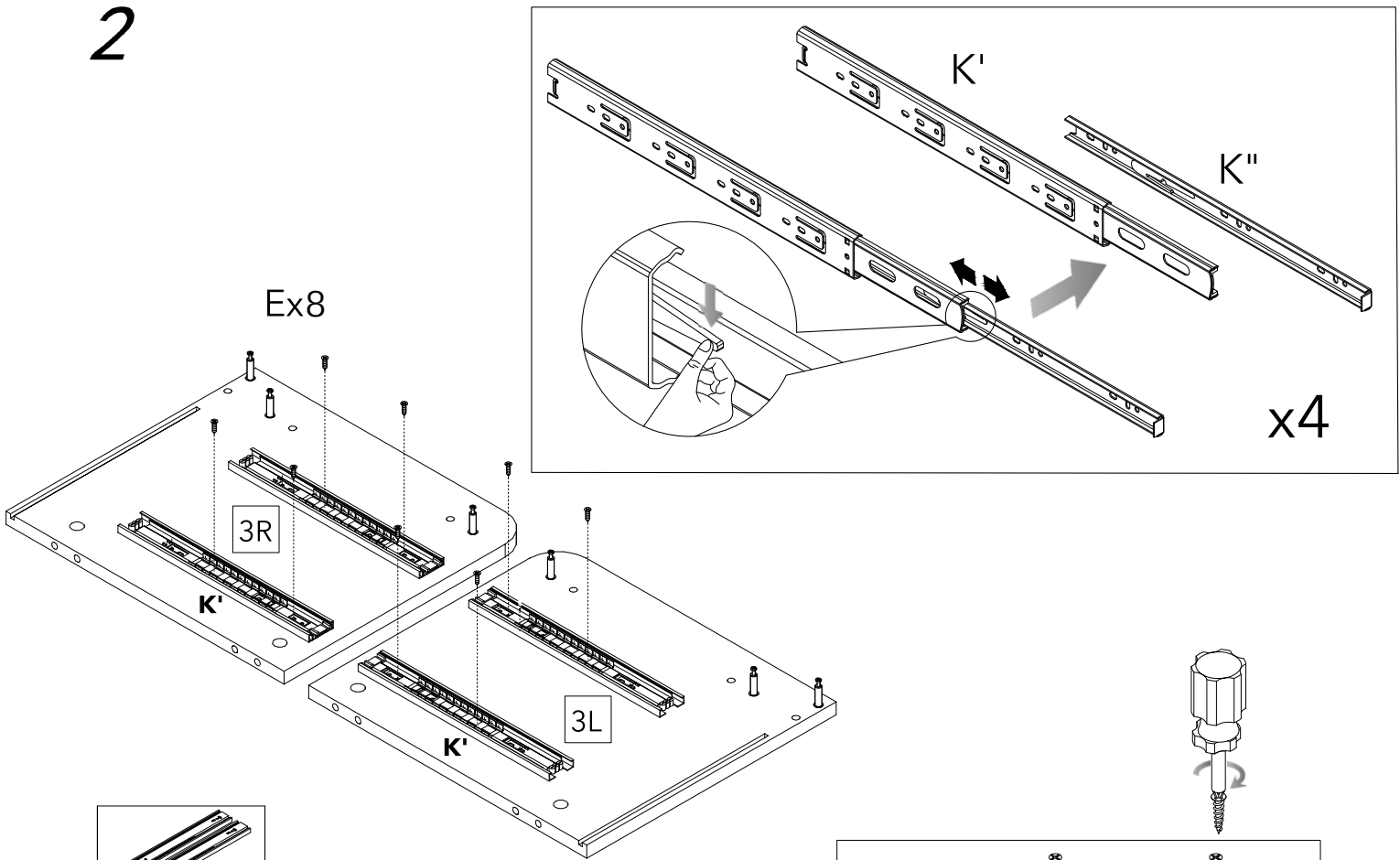
								
A	M6x40mm	10X	B	Φ15x11.5	10X	C	Φ8x30	10X
								
D	Φ12x10mm	8X	E	M4x14	16X	F	M4x30	8X
								
G	/	2X	H	M4x22mm	2X	I	M6x12mm	16X
								
J	M7x50mm	2X	K	10"	2X	L	H=172	4X
								
N	M3x12	4X	P	/	1X	Z	Φ20	8X



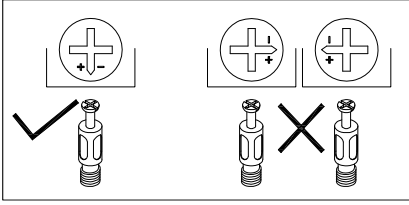
1

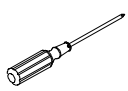





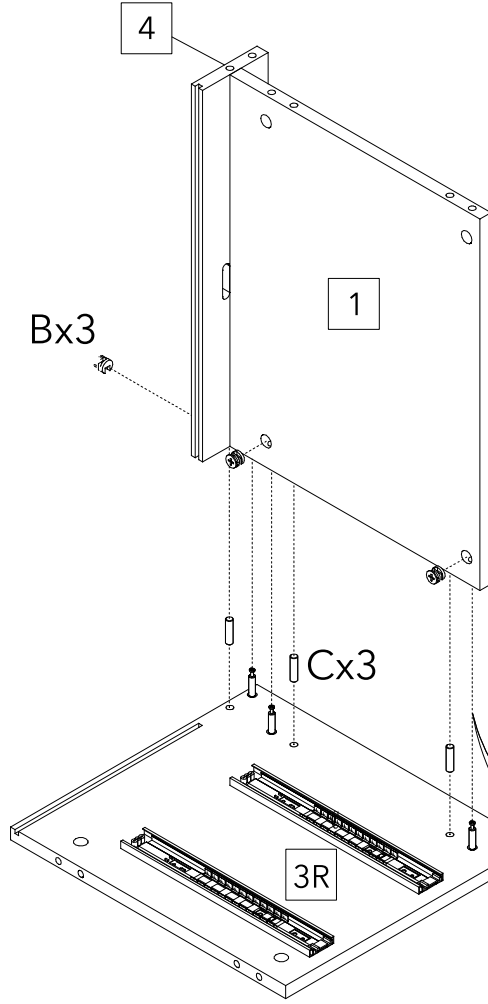
2



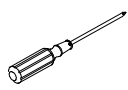



3

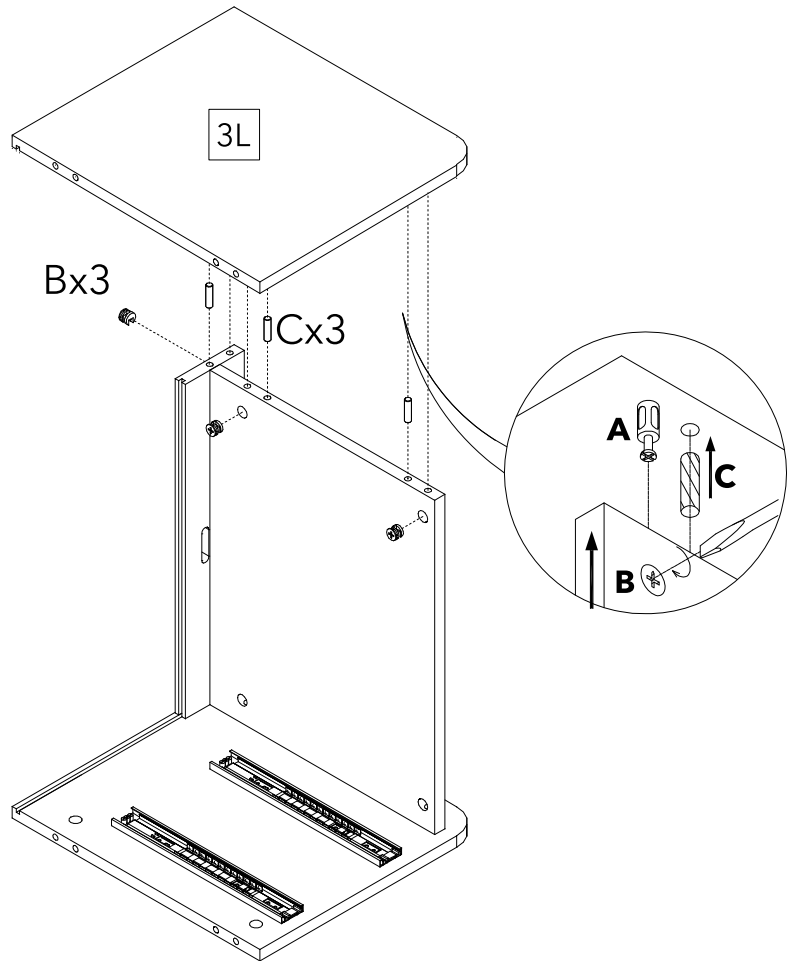


	
	B $\Phi 15 \times 11.5$ 3x
	
	C $\Phi 8 \times 30$ 3x

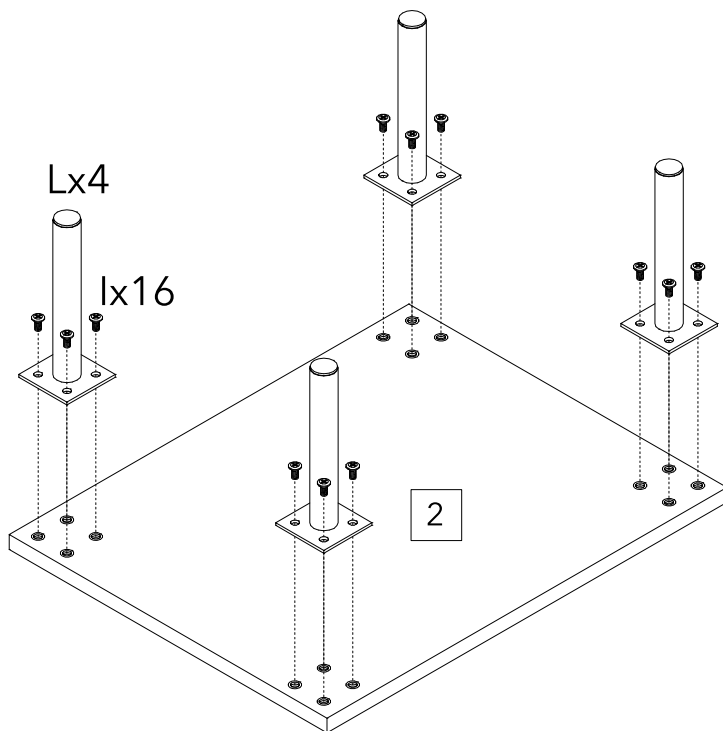





4

	
	B $\Phi 15 \times 11.5$ 3x
	
	C $\Phi 8 \times 30$ 3x

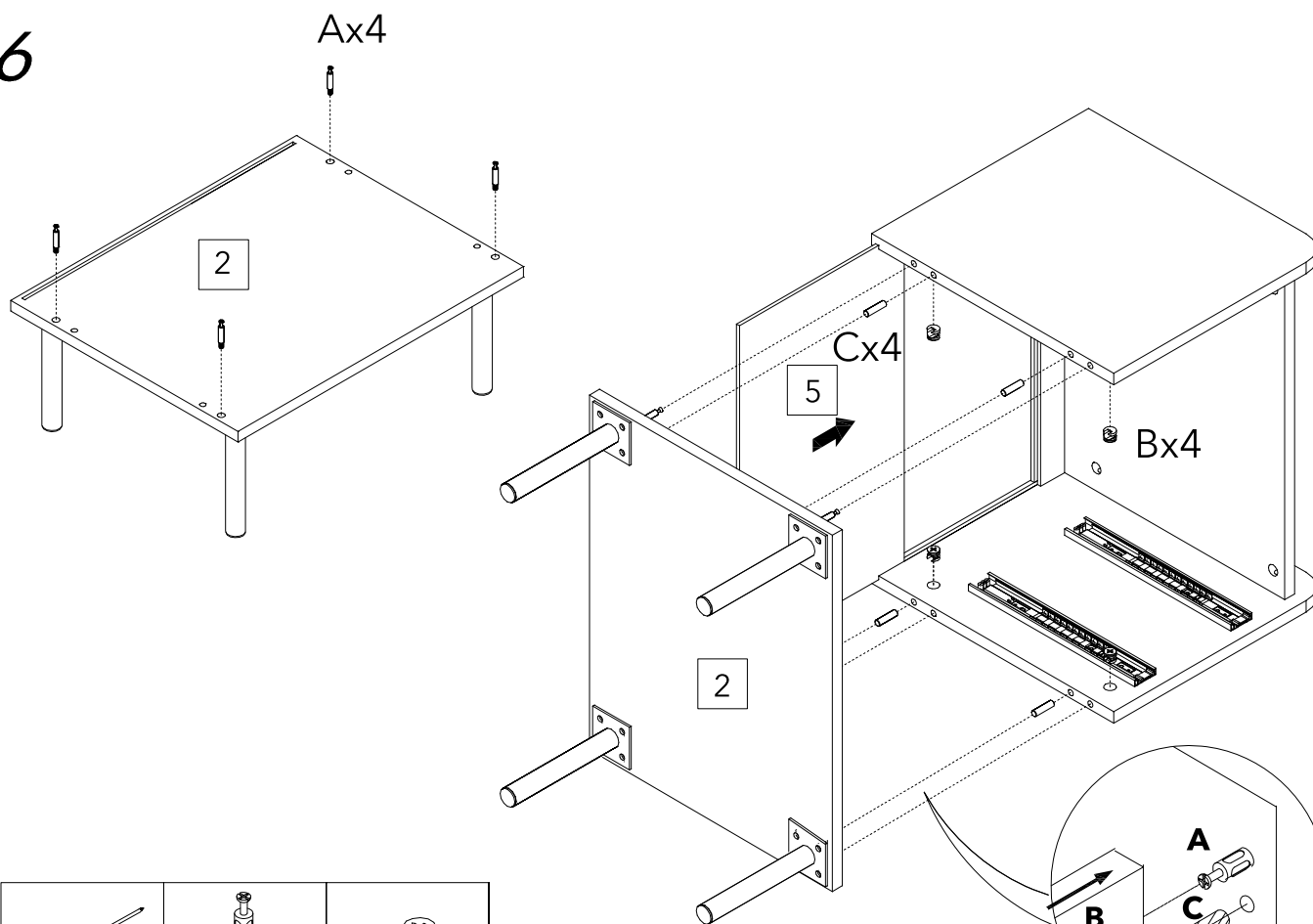


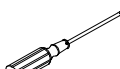



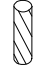
5

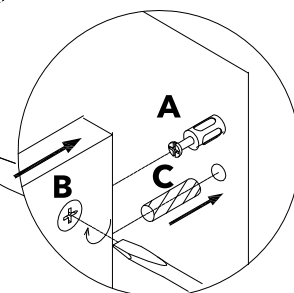


		
I	M6x12mm 16x	L H=172 4x

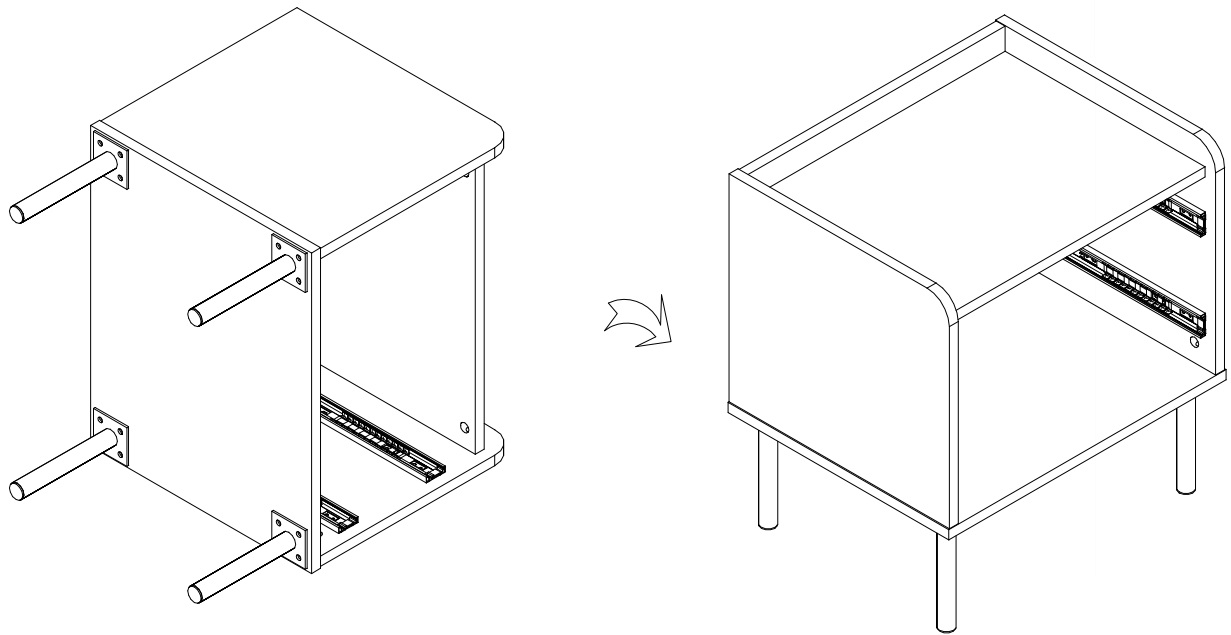
6



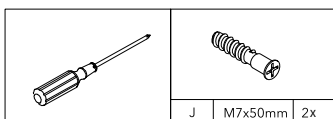
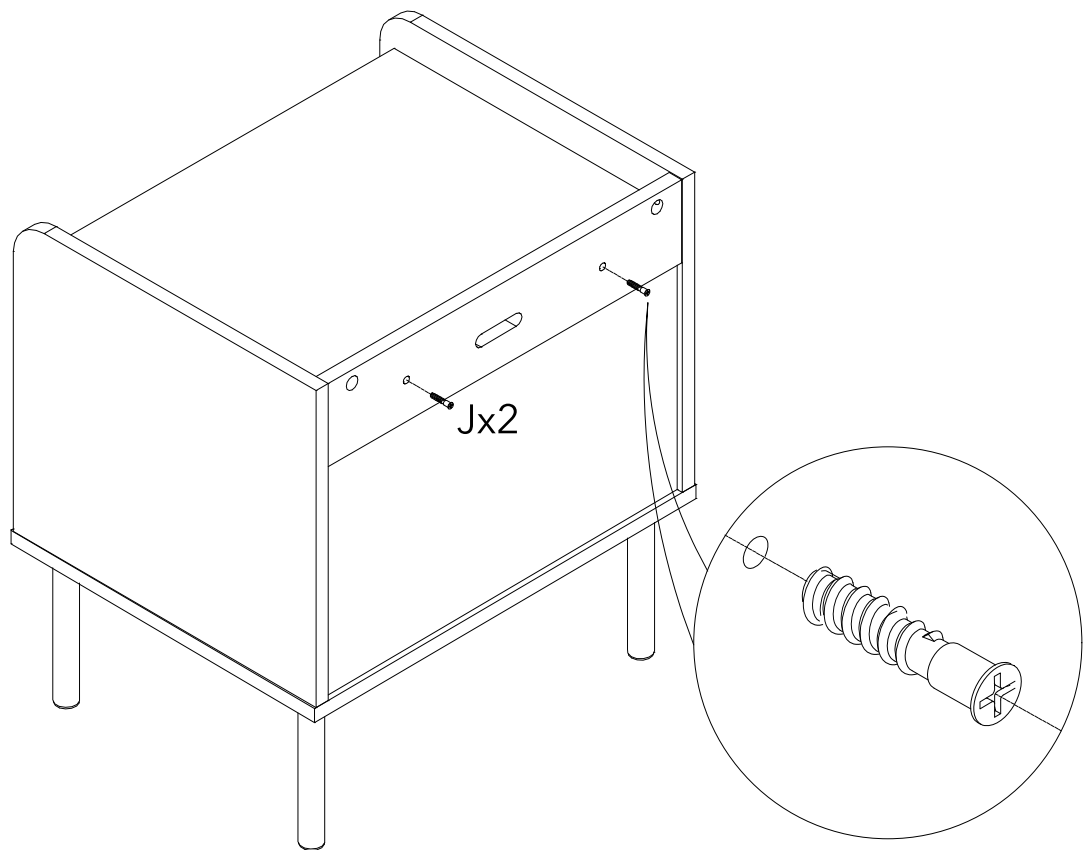
		
A	M6x40mm 4x	B Φ 15x11.5 4x
		
C	Φ 8x30 4x	

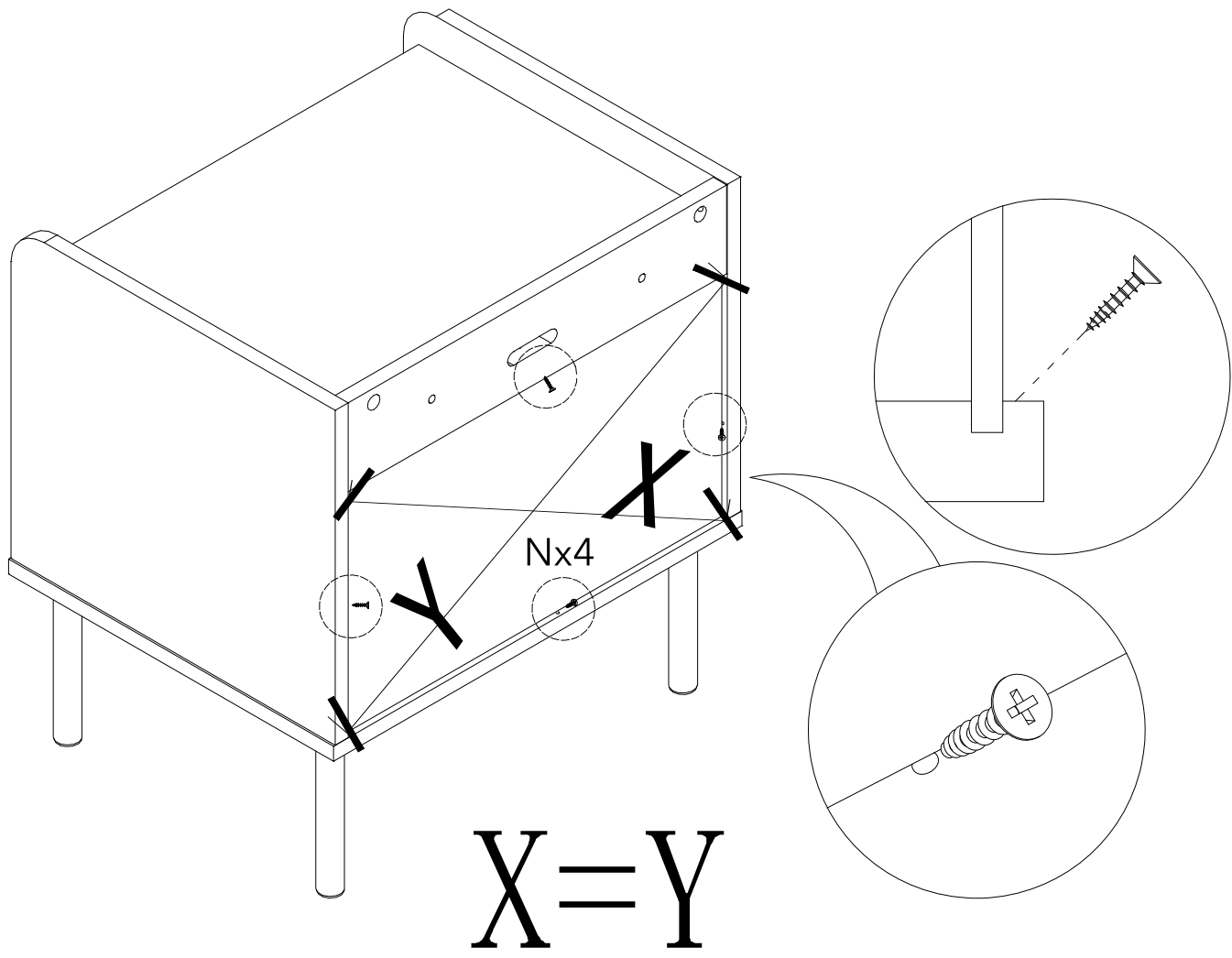


7

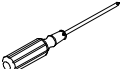



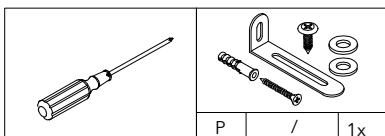
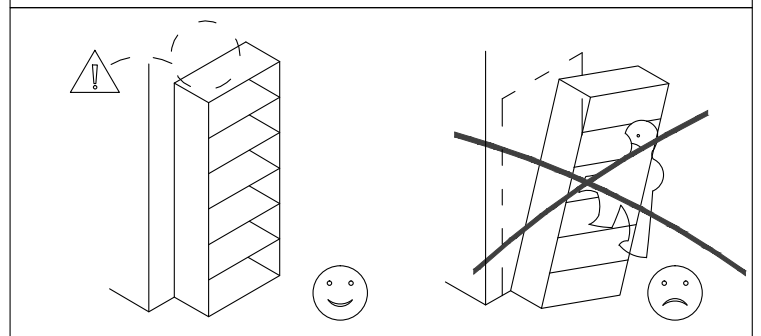
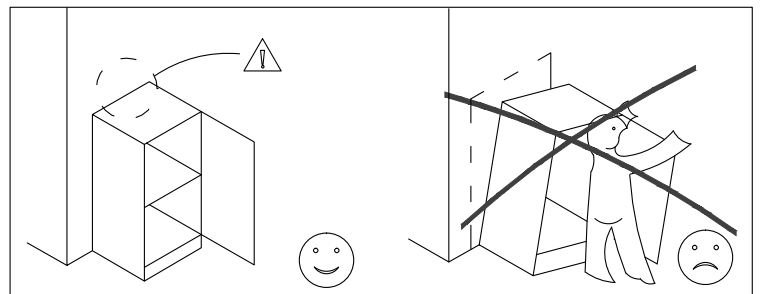
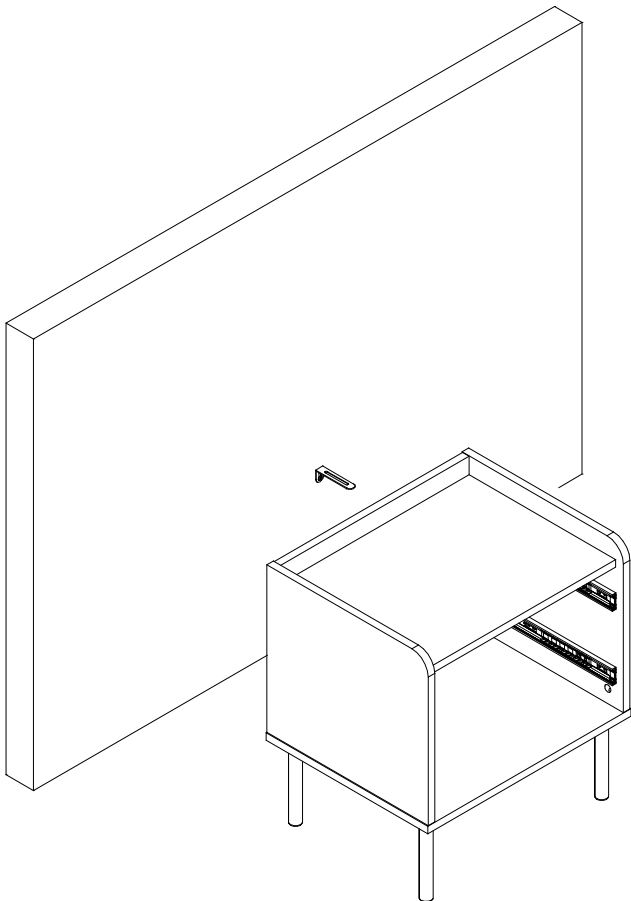
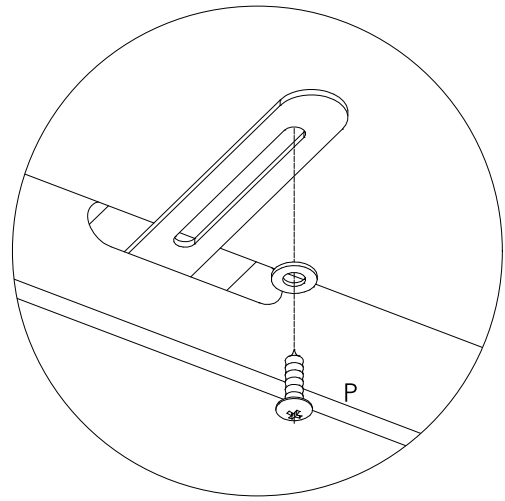
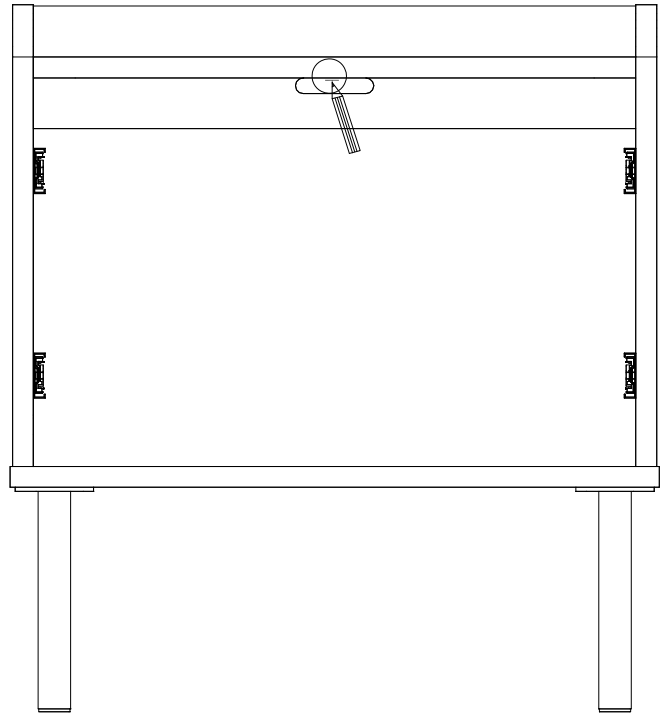
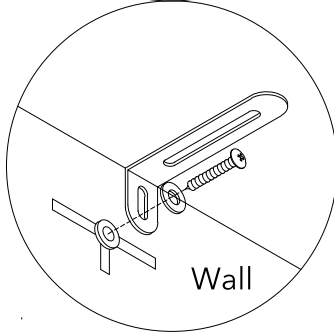
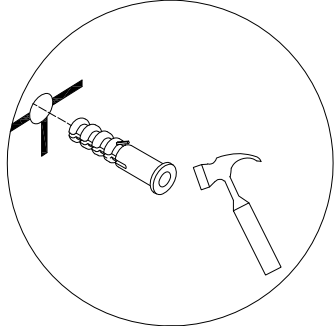
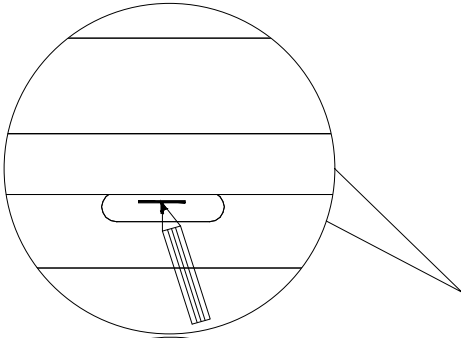
8



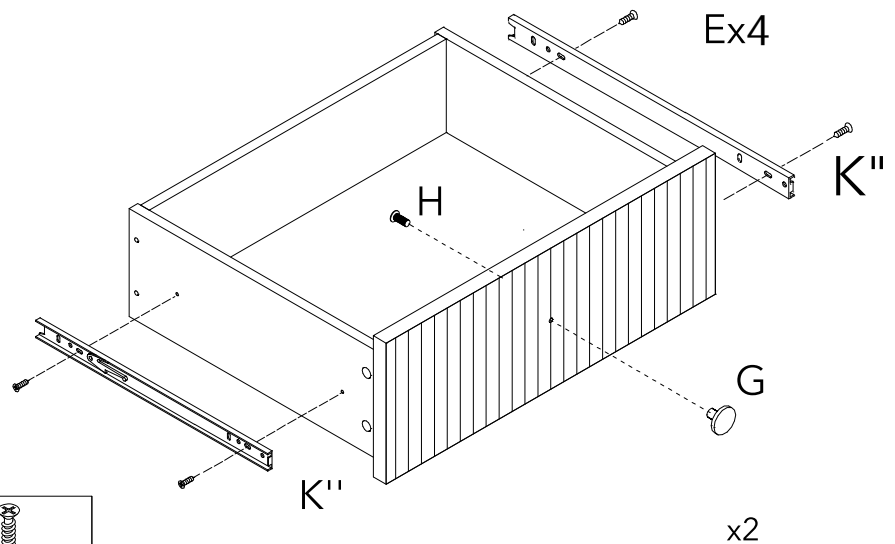
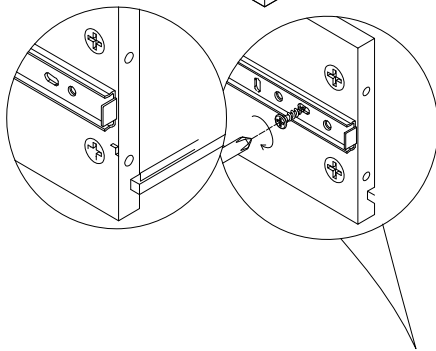
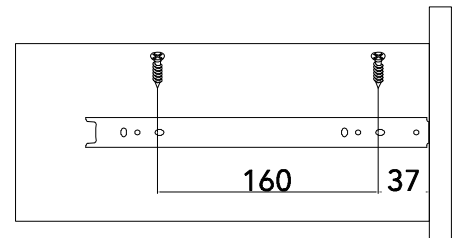
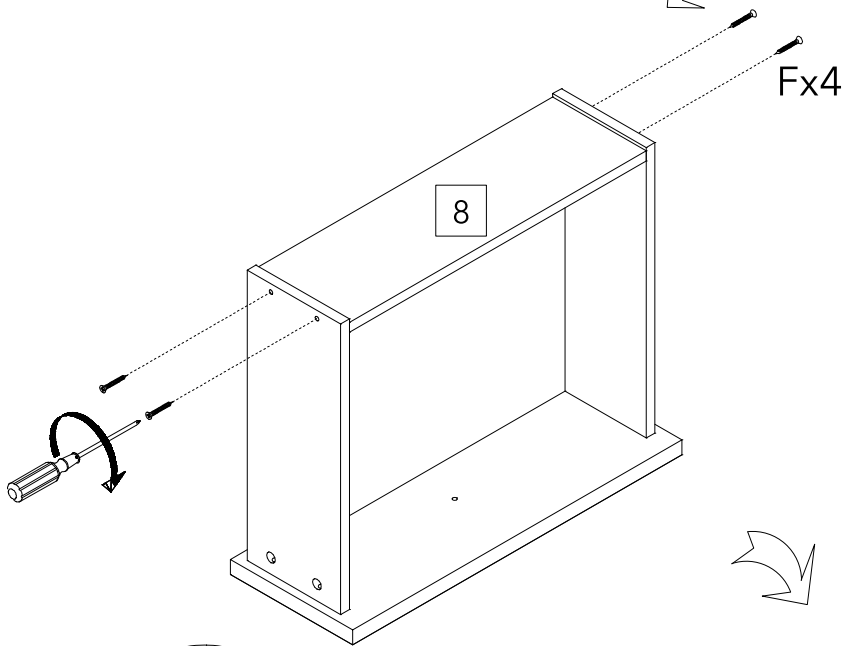
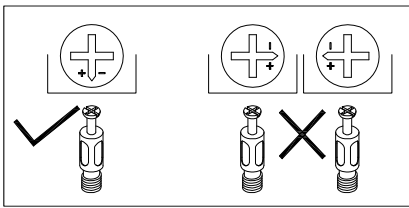
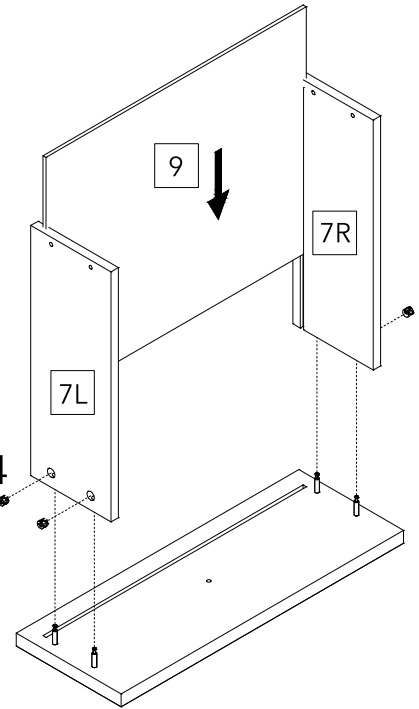
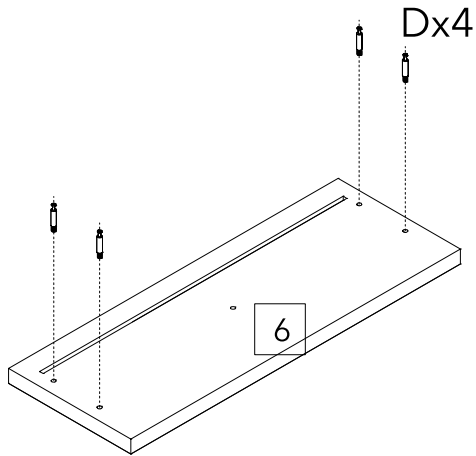


X=Y

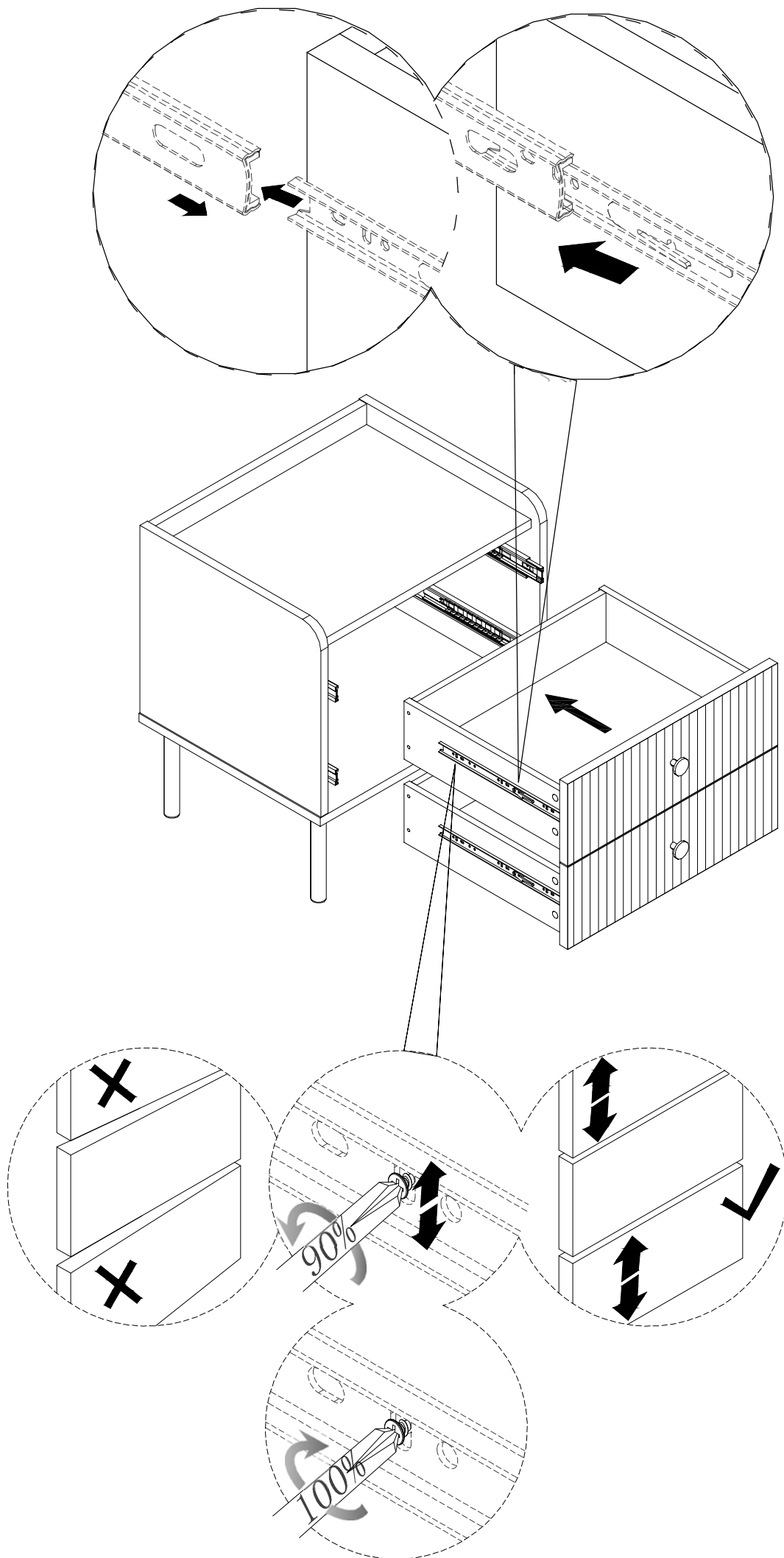
	
N	M3x12 4x



11 x2



G	/	2x	H	M4x22mm	2x	K	10"	2x
D	Φ12x10mm	8x	E	M4x14	8x	F	M4x30	8x



13

