

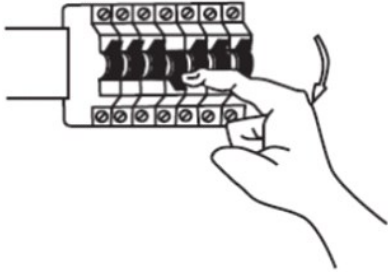
searchlight

6871

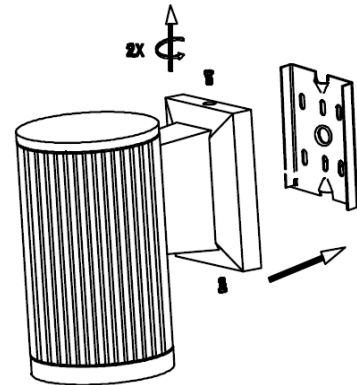
EAC UK CA CE



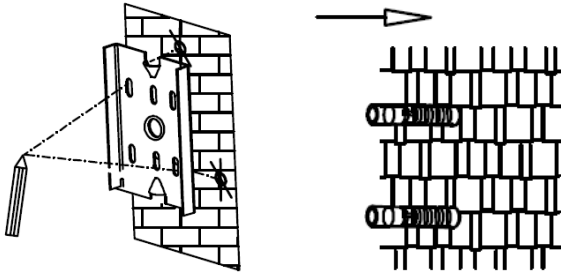
1



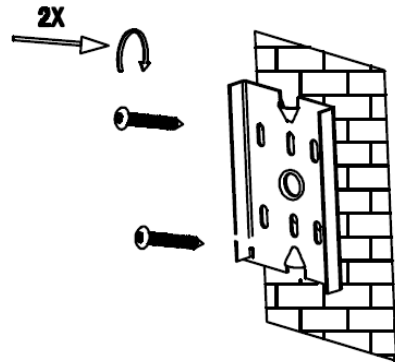
2



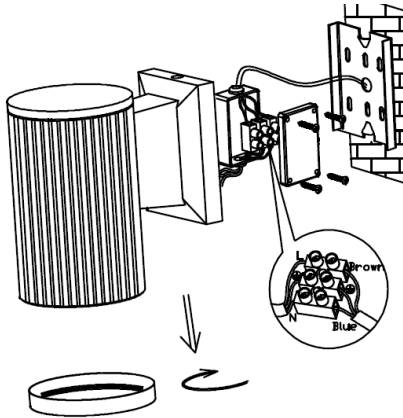
3



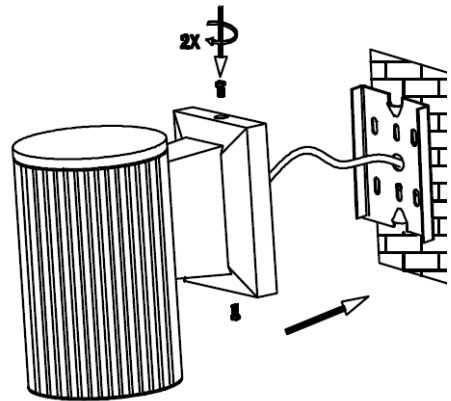
4



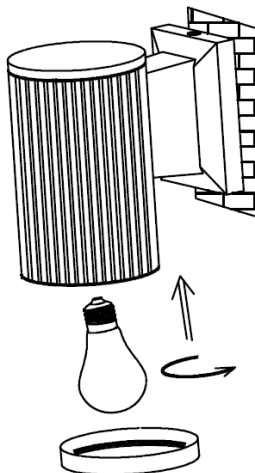
5



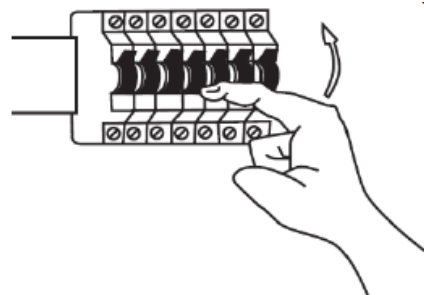
6



7



8



SAFETY INFORMATION: (Please retain for future reference)

- Always turn off the mains supply before commencing the installation of this fitting .
- This is a Class 1 product and does require an Earth connection
- This product must be installed in accordance with the national building regulations, if in doubt consult a qualified electrician.
- We do not recommend any modification of the fitting as this may invalidate the warranty and render the fitting unsafe

POSITION:

- The fitting is IP54 rated and suitable for installation in outdoor locations. We would recommend the light fitting is installed undercover .
- The fitting is NOT suitable for installation in Marine locations.
- The fitting is suitable for fixing onto a flat, solid surface.
- Ensure sufficient access to the fitting to enable safe maintenance
- The Luminaire should be positioned so that prolonged staring into the luminaire at a distance closer than 0.2m is not expected.

LAMP INFORMATION:

- This fitting is suitable to use either incandescent or LED lamps.
- The fitting is suitable for dimming when using incandescent or dimmable LED lamps
- Ensure you do not exceed the maximum wattage stated on the product

AFTERCARE AND MAINTENANCE:

- Always disconnect power supply when servicing or cleaning.
- Clean only with a dry or slightly damp cloth.
- Do no use any abrasive cloths or cleaners as this may damage the product

