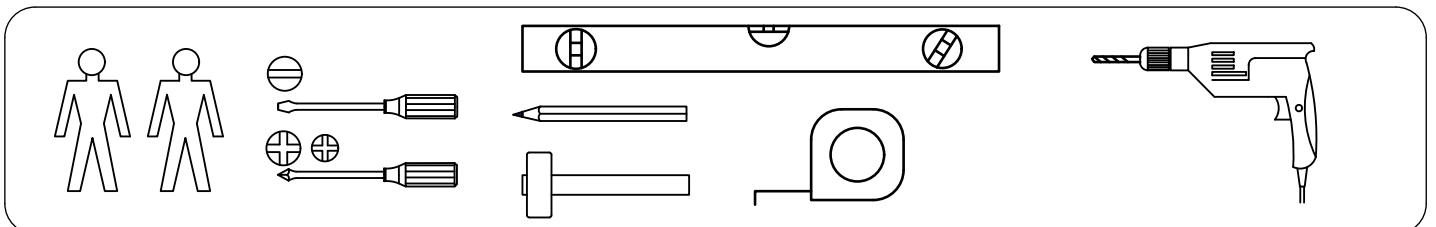
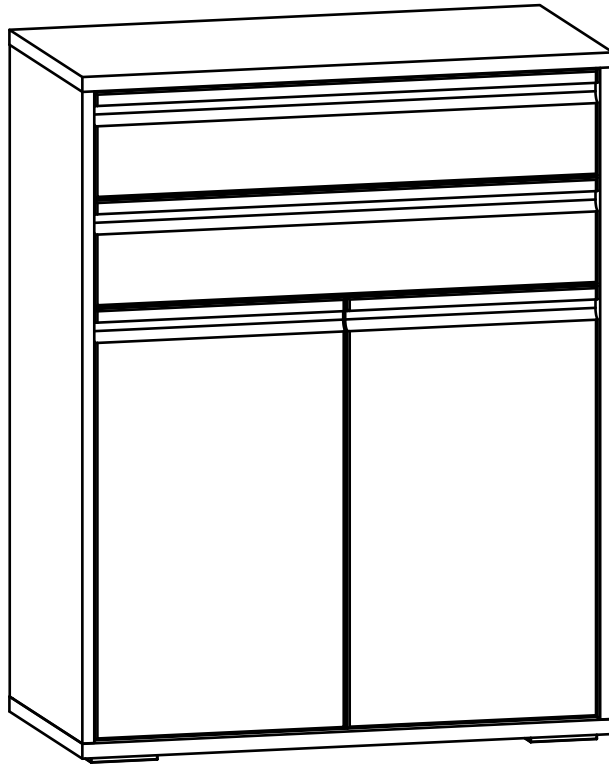
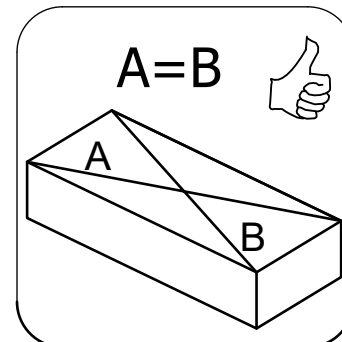
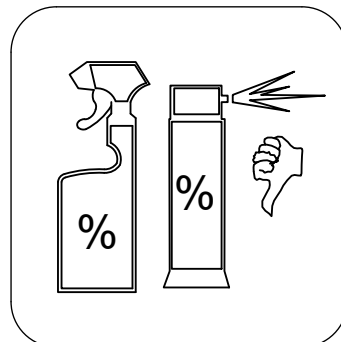
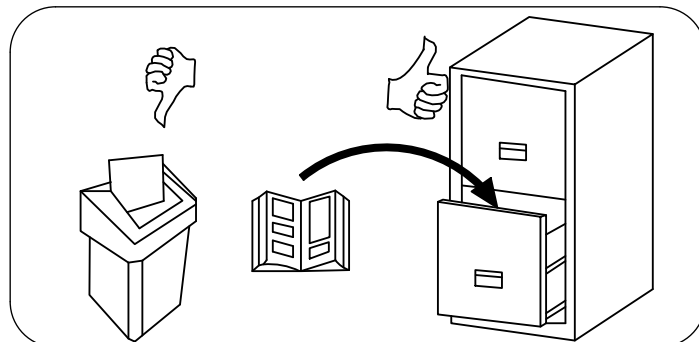
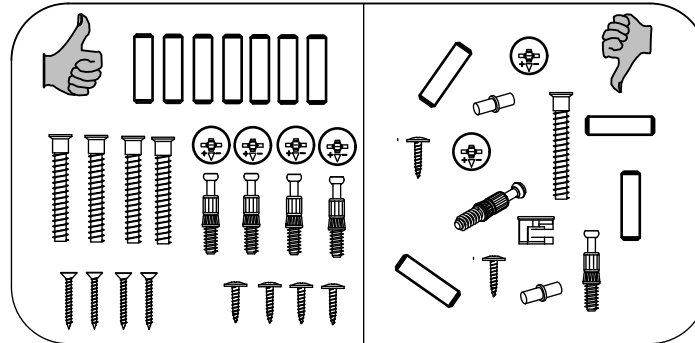
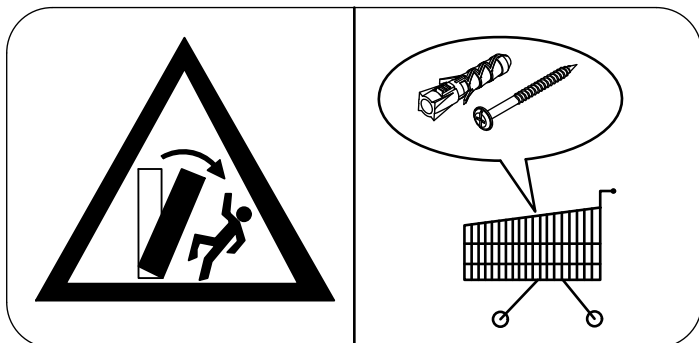
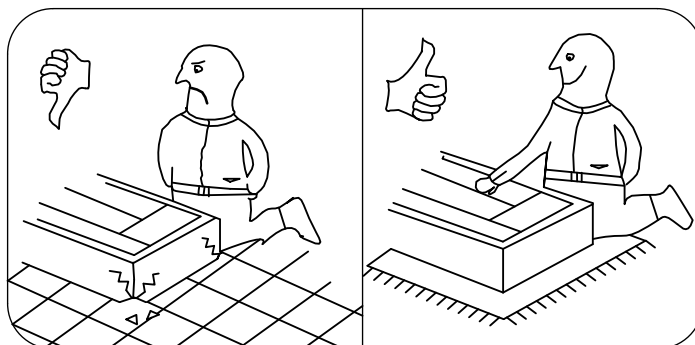
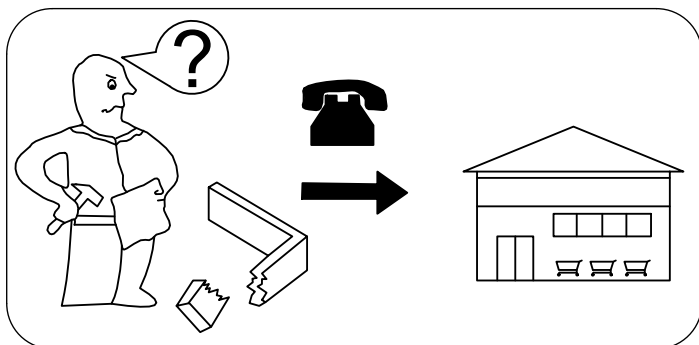
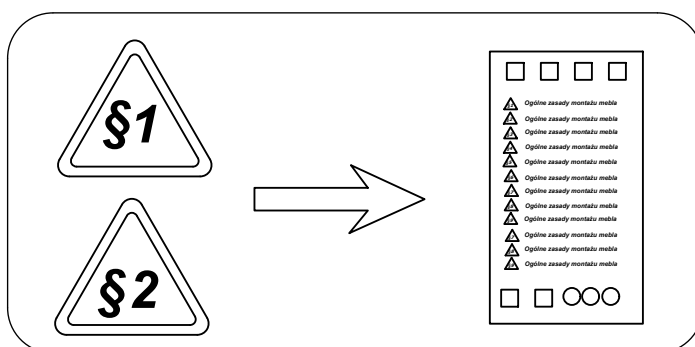
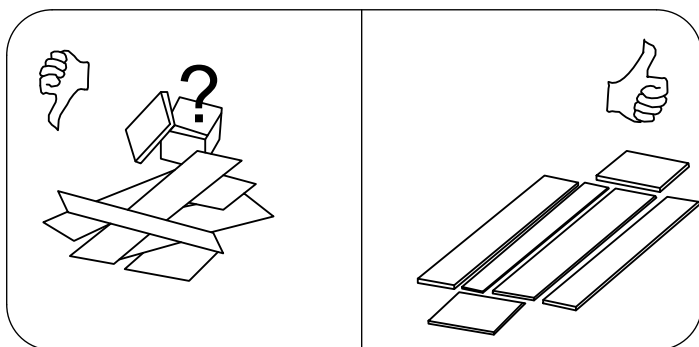
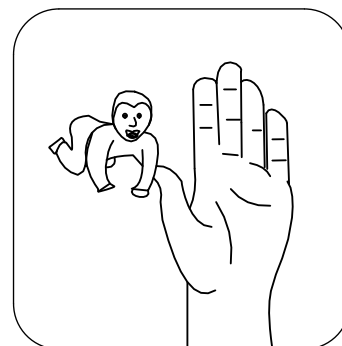
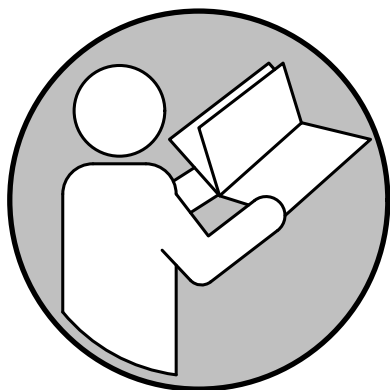
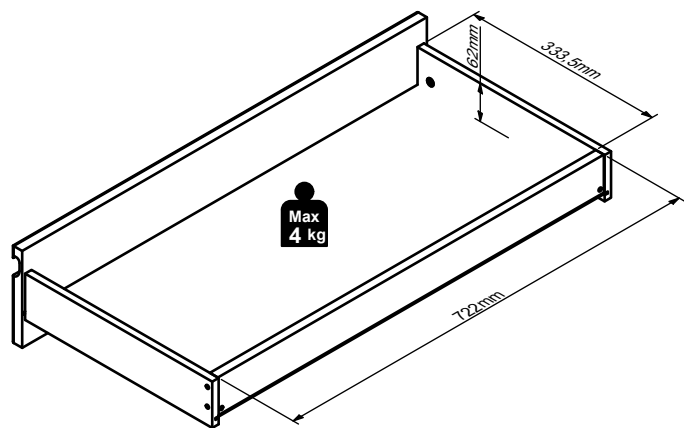
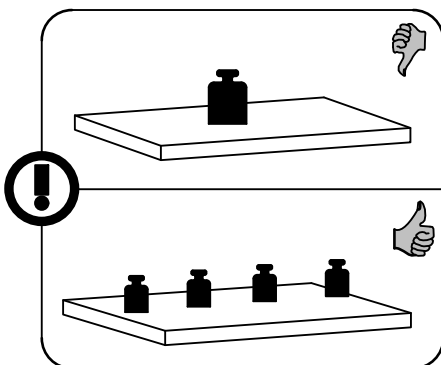
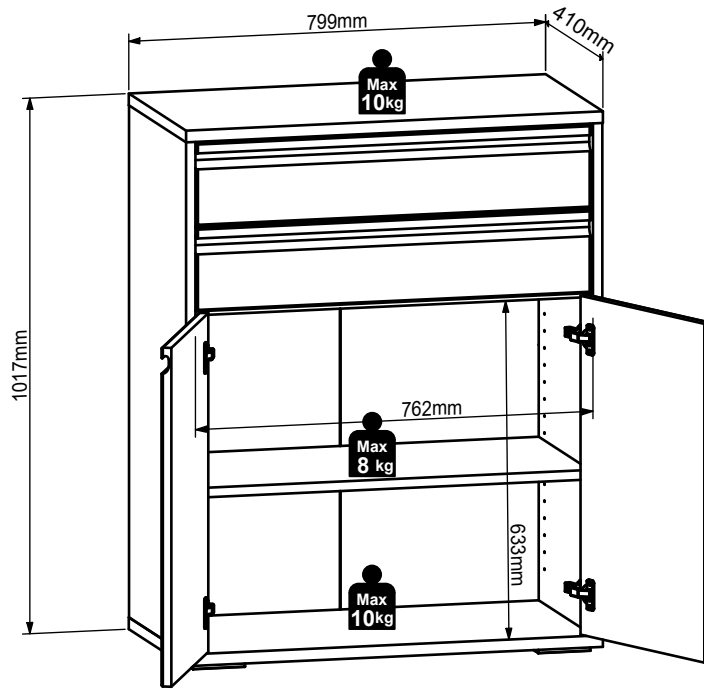


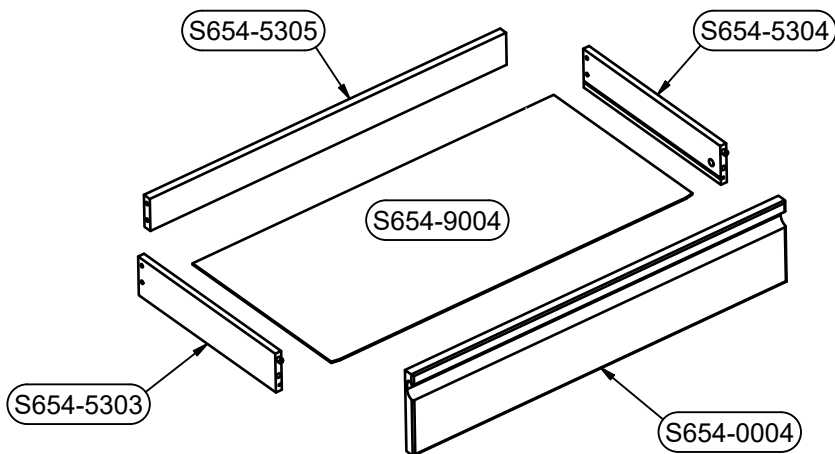
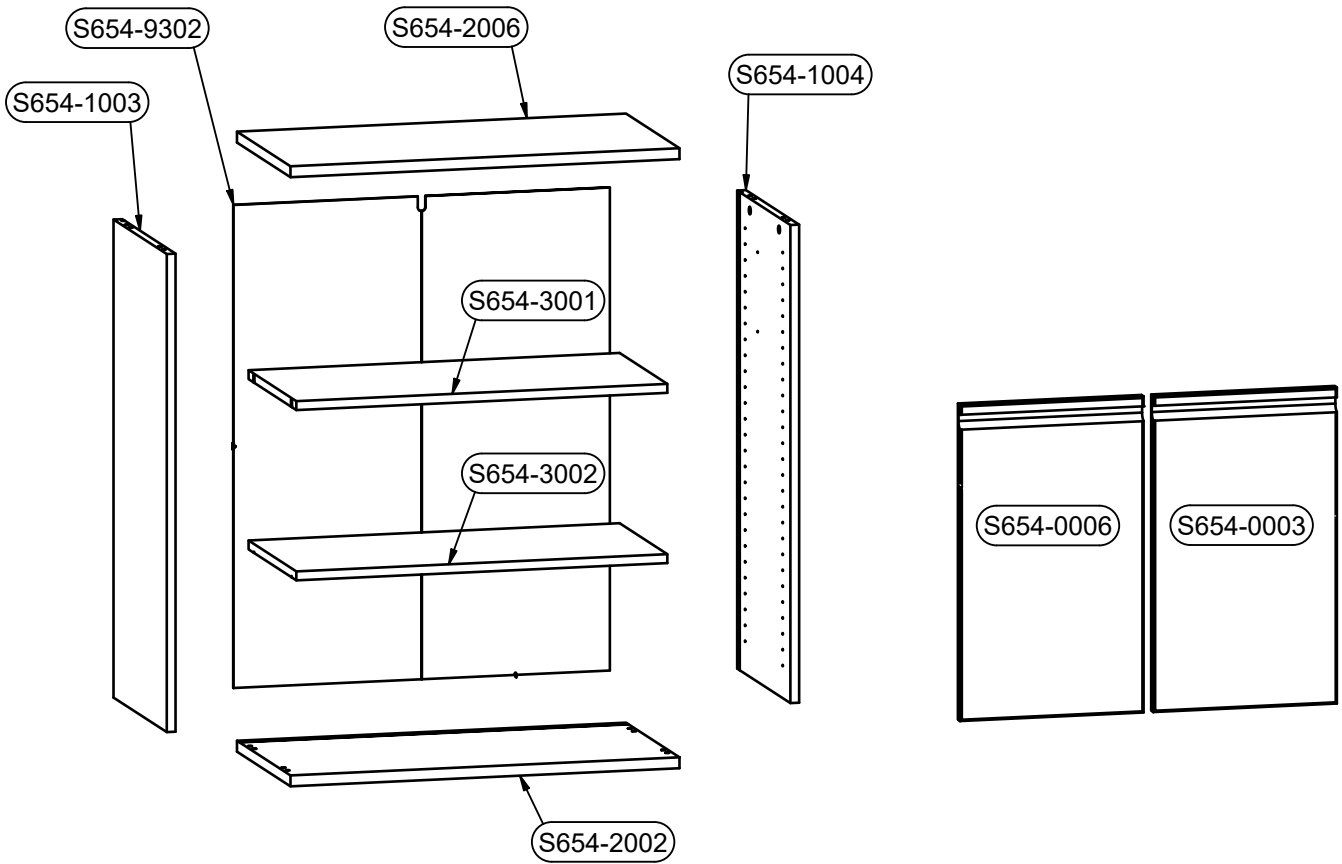
24270316/08



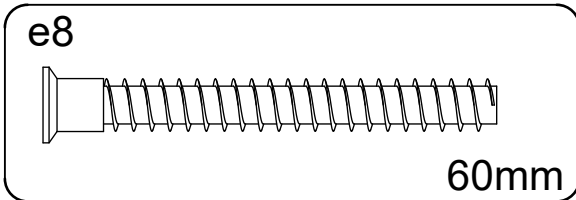
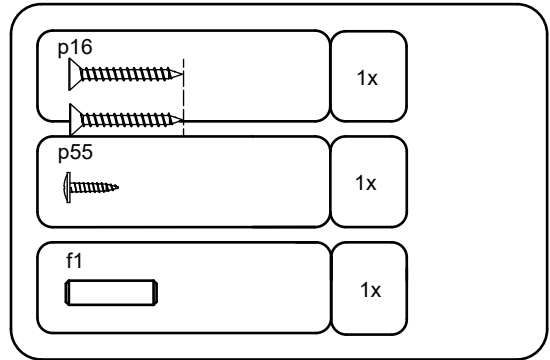
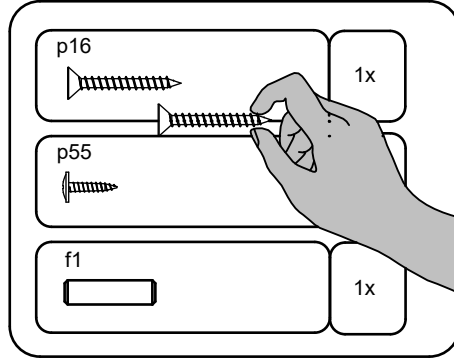




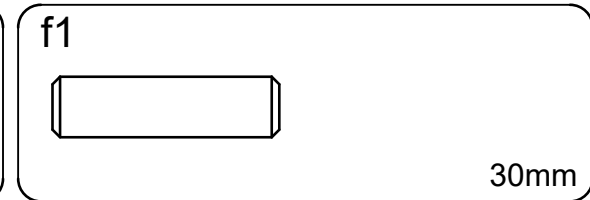
	B1	B2	C1	C2	C3	C4	D
S654-0003	-	637	377	19	1	1/2	
S654-0004	-	757	157	19	2	1/2	
S654-0006	-	637	377	19	1	1/2	
S654-1003	-	963	408	18	1	2/2	
S654-1004	-	963	408	18	1	2/2	
S654-2002	-	799	410	22	1	2/2	
S654-2006	-	799	410	22	1	2/2	
S654-3001	-	762	366	18	1	1/2	
S654-3002	-	762	366	18	1	1/2	
S654-5303	-	350	75	12	2	1/2	
S654-5304	-	350	75	12	2	1/2	
S654-5305	-	722	62	15	2	1/2	
S654-9004	-	732	357	2,5	2	1/2	
S654-9302	-	973	773	2,5	1	2/2	



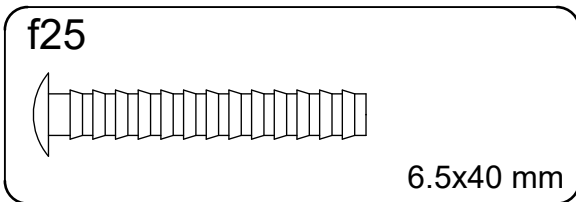
1:1



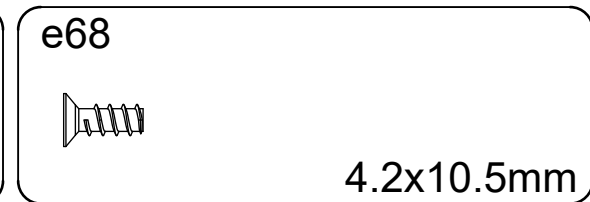
e8
4x



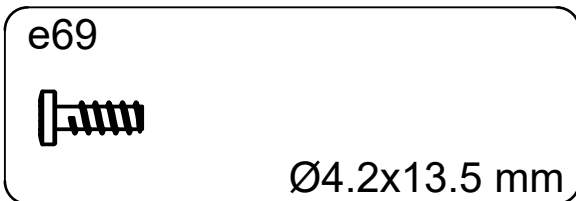
f1
12x
30mm



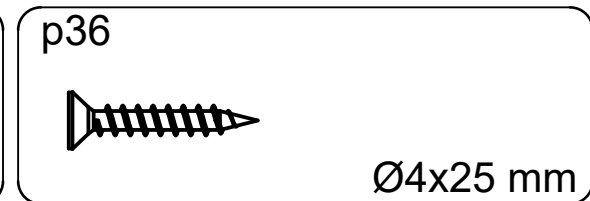
f25
8x
6.5x40 mm



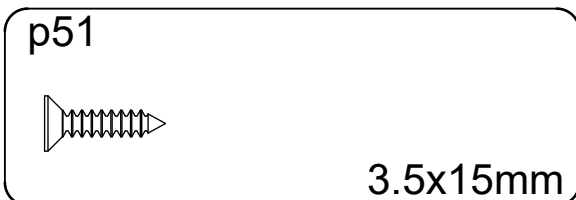
e68
12x
4.2x10.5mm



e69
8x
Ø4.2x13.5 mm



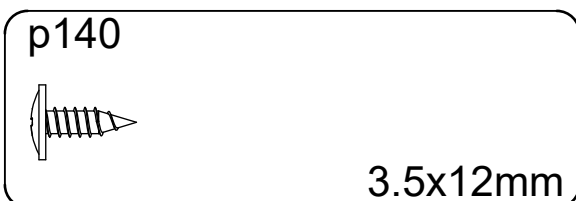
p36
16x
Ø4x25 mm



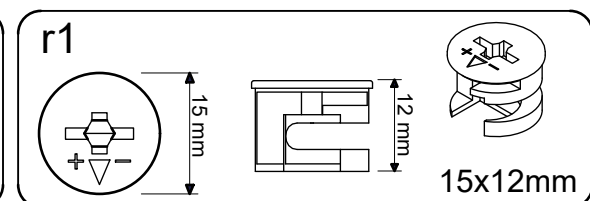
p51
12x
3.5x15mm



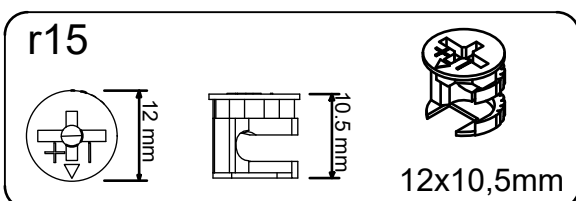
p55
16x
2.8x16mm



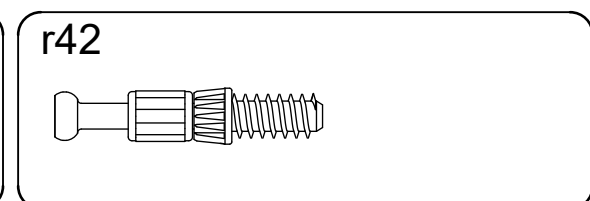
p140
2x
3.5x12mm



r1
4x
15x12mm



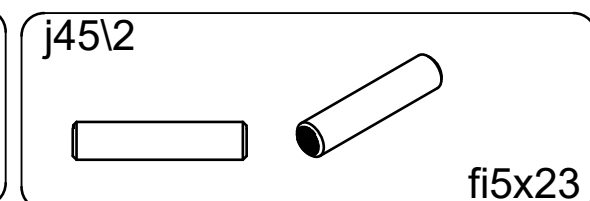
r15
4x
12x10,5mm



r42
8x



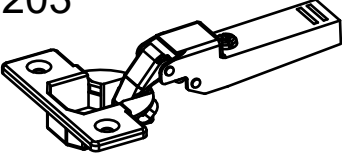
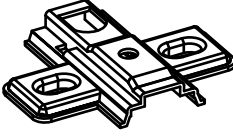
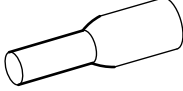
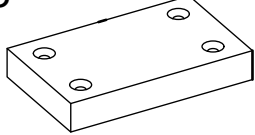
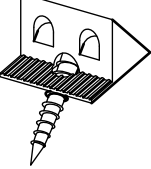
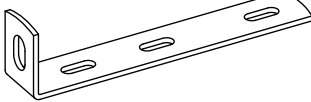
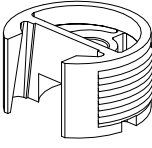

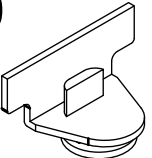
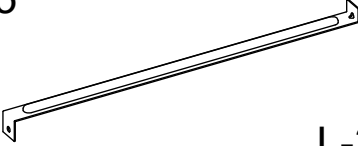
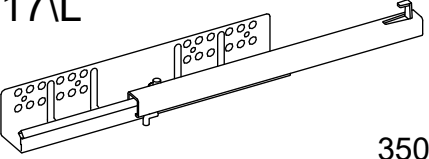
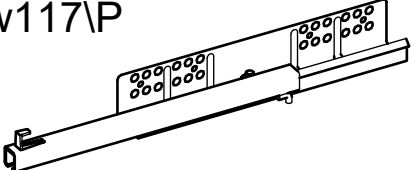
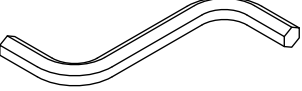

j45\1
4x
M4x12mm


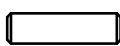
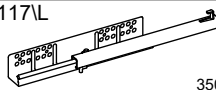





j45\2
2x
fi5x23




~~1:1~~

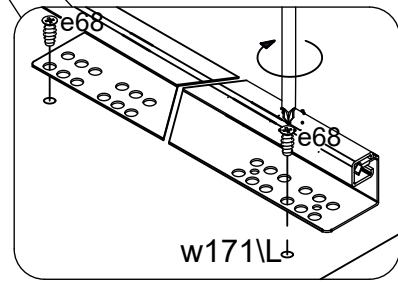
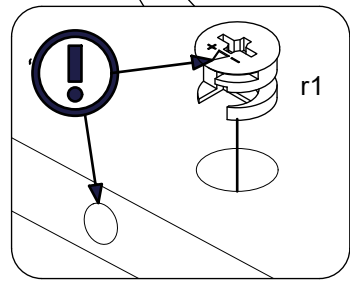
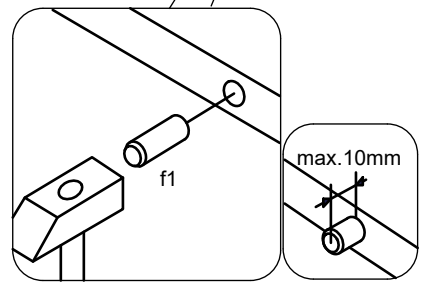
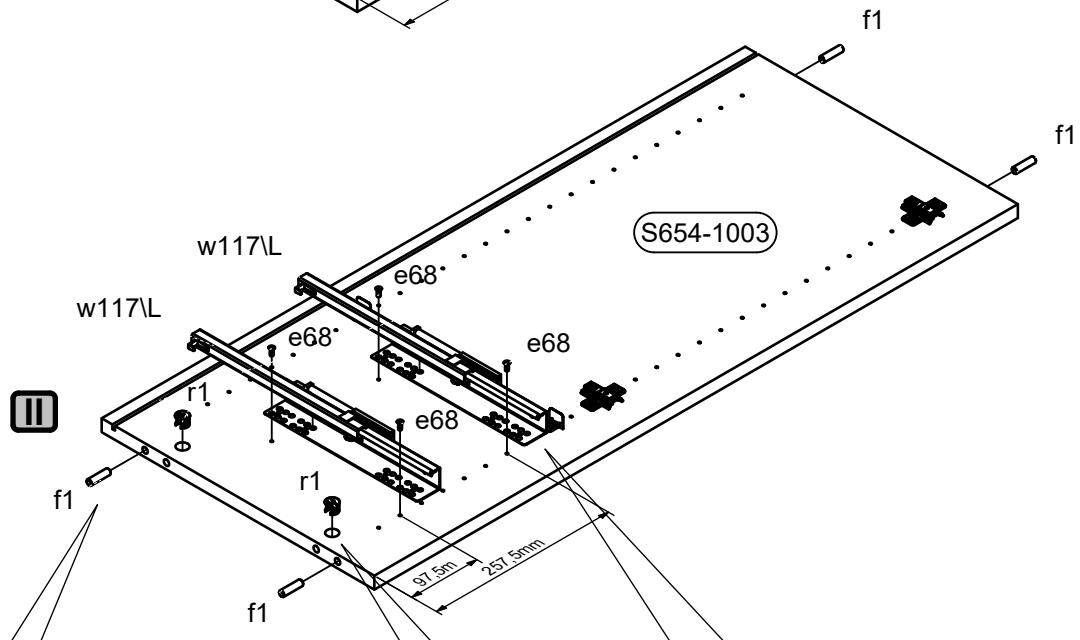
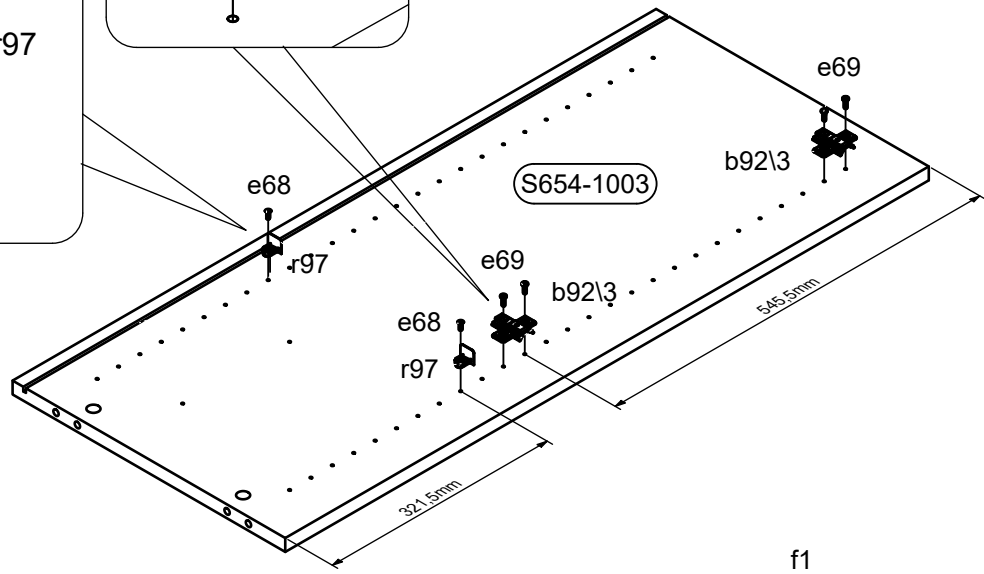
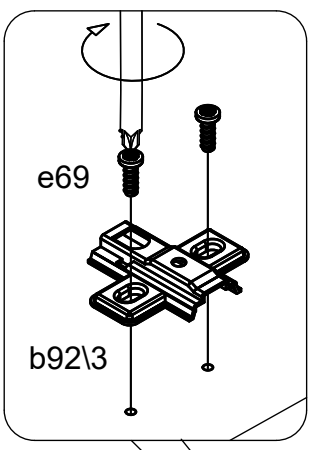
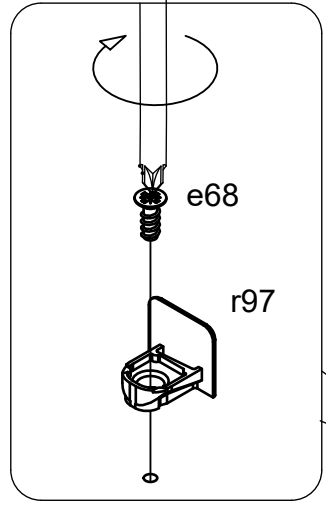
<p>a203</p> 	<p>4x</p>	<p>b92\3</p> 	<p>4x</p>
<p>d47</p> 	<p>4x</p>	<p>k178</p> 	<p>4x</p>
<p>l2</p> 	<p>10x</p>	<p>n14\2</p> 	<p>1x</p>
<p>r99</p> 	<p>4x</p>	<p>r97</p> 	<p>4x</p>
<p>r100</p> 	<p>1x</p>	<p>t35</p>  <p>L-350mm</p>	<p>2x</p>
<p>w117\L</p>  <p>350mm</p>	<p>2x</p>	<p>w117\P</p>  <p>350mm</p>	<p>2x</p>
<p>z1</p>  <p> 4mm</p>	<p>1x</p>		

r97		2x	f1		4x	w117/L		2x	b92\3		2x
				30mm			350mm				

e69		4x	e68		6x
	Ø4.2x13.5 mm			4.2x10.5mm	

r1		2x
	15mm	

1 

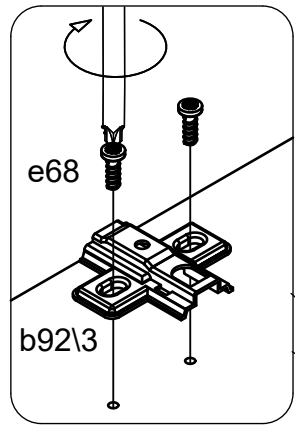
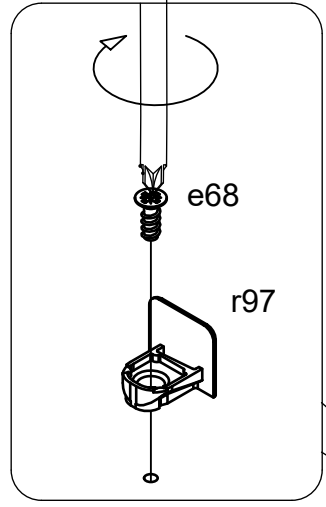


r97		2x	f1		4x	w117\ P		2x	b92\ 3		2x
			30mm			350mm					

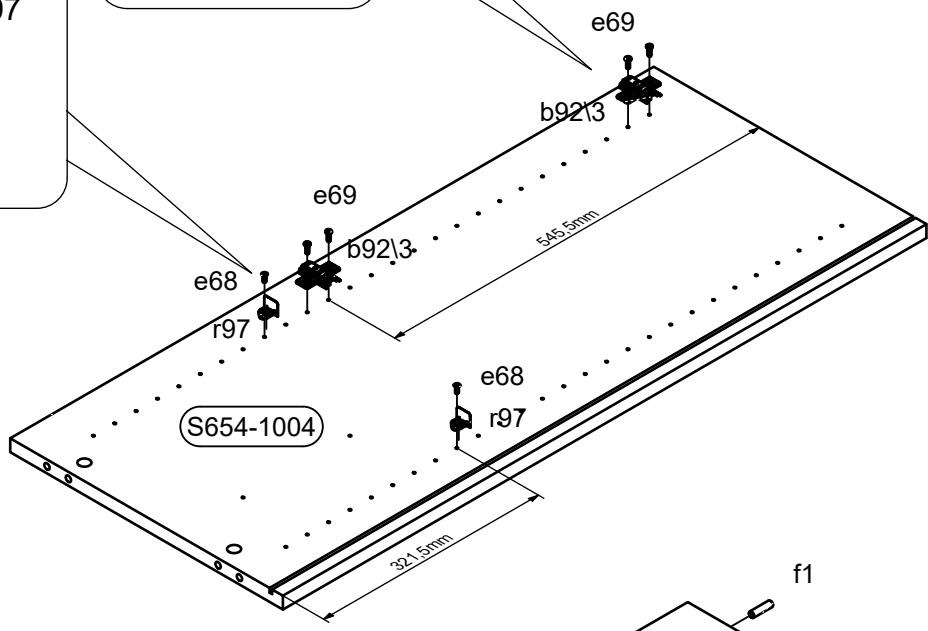
2

e69		4x	e68		6x
	Ø4.2x13.5 mm			4.2x10.5mm	

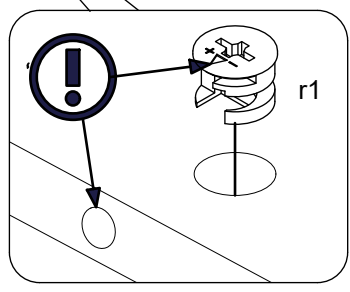
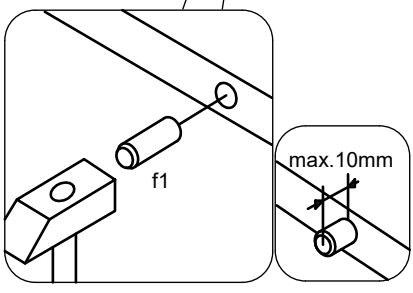
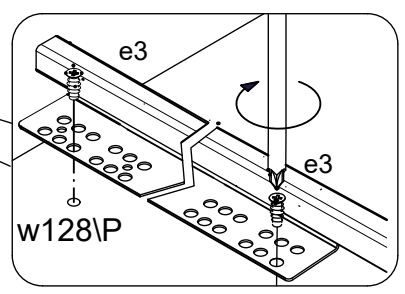
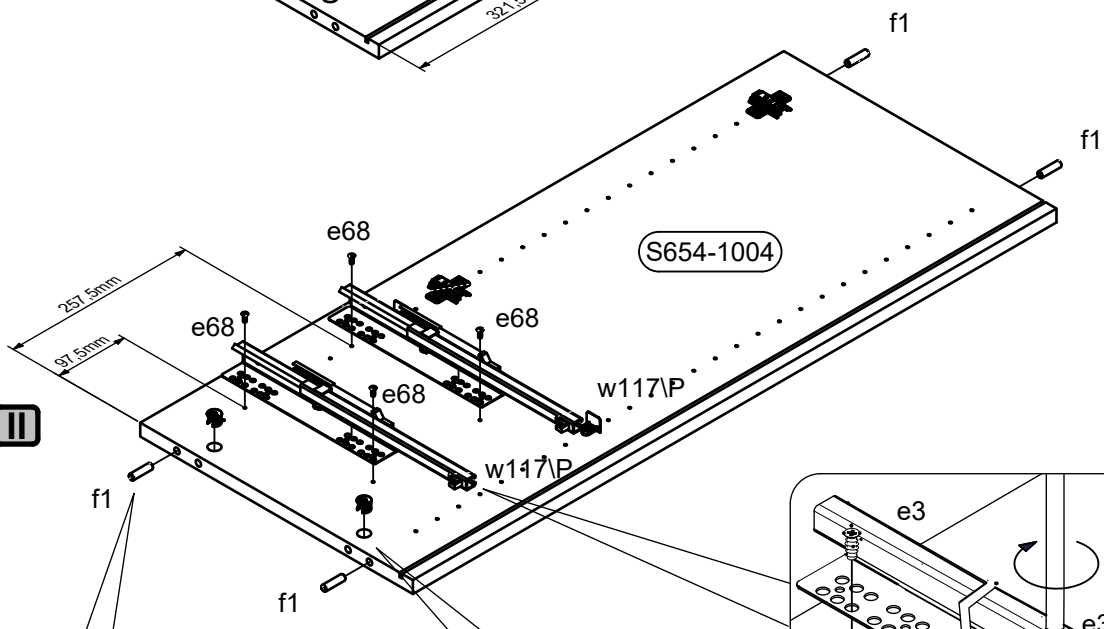
r1		2x
	15mm	



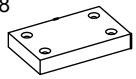
I

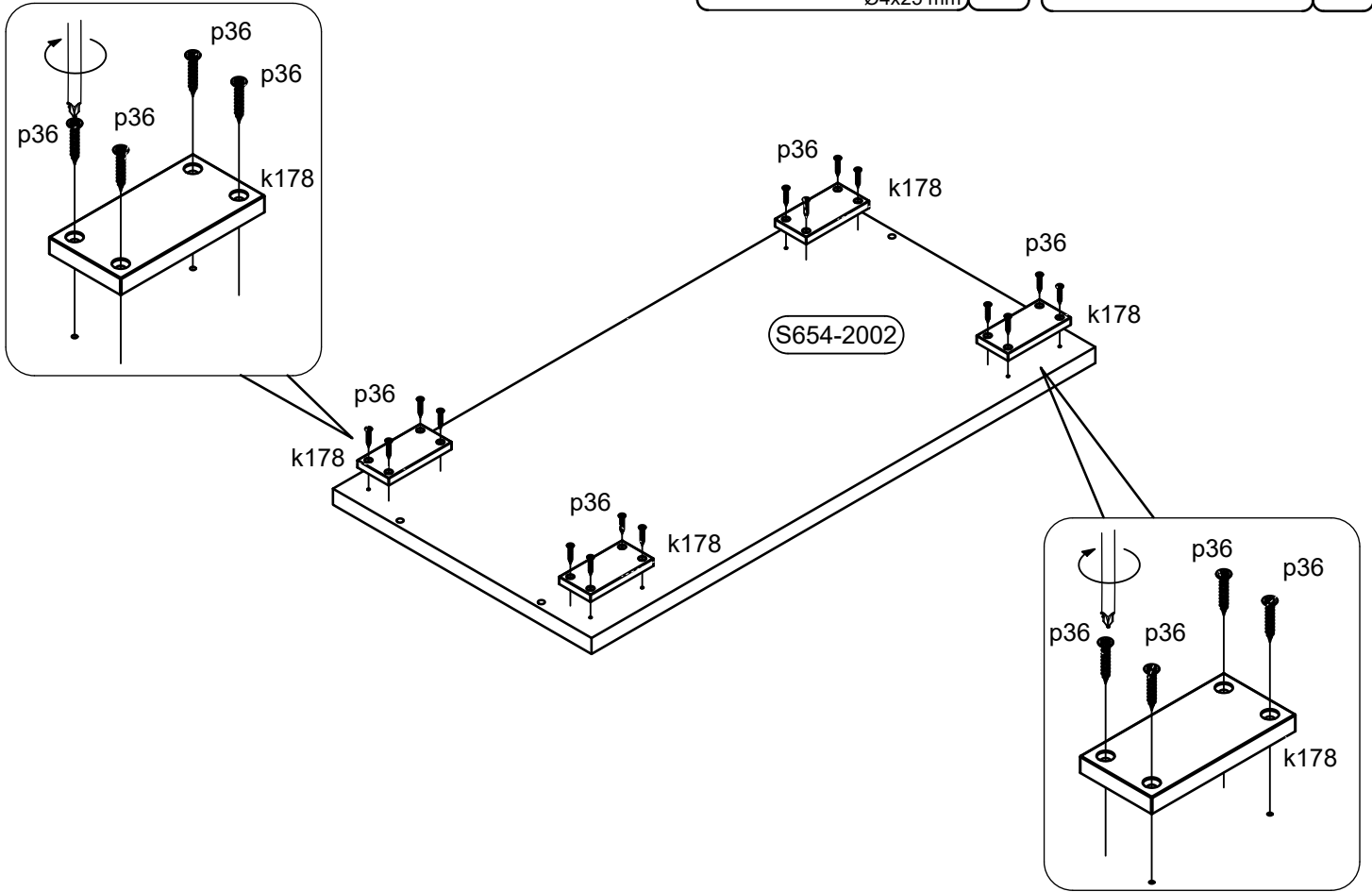


III

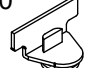
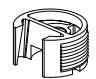


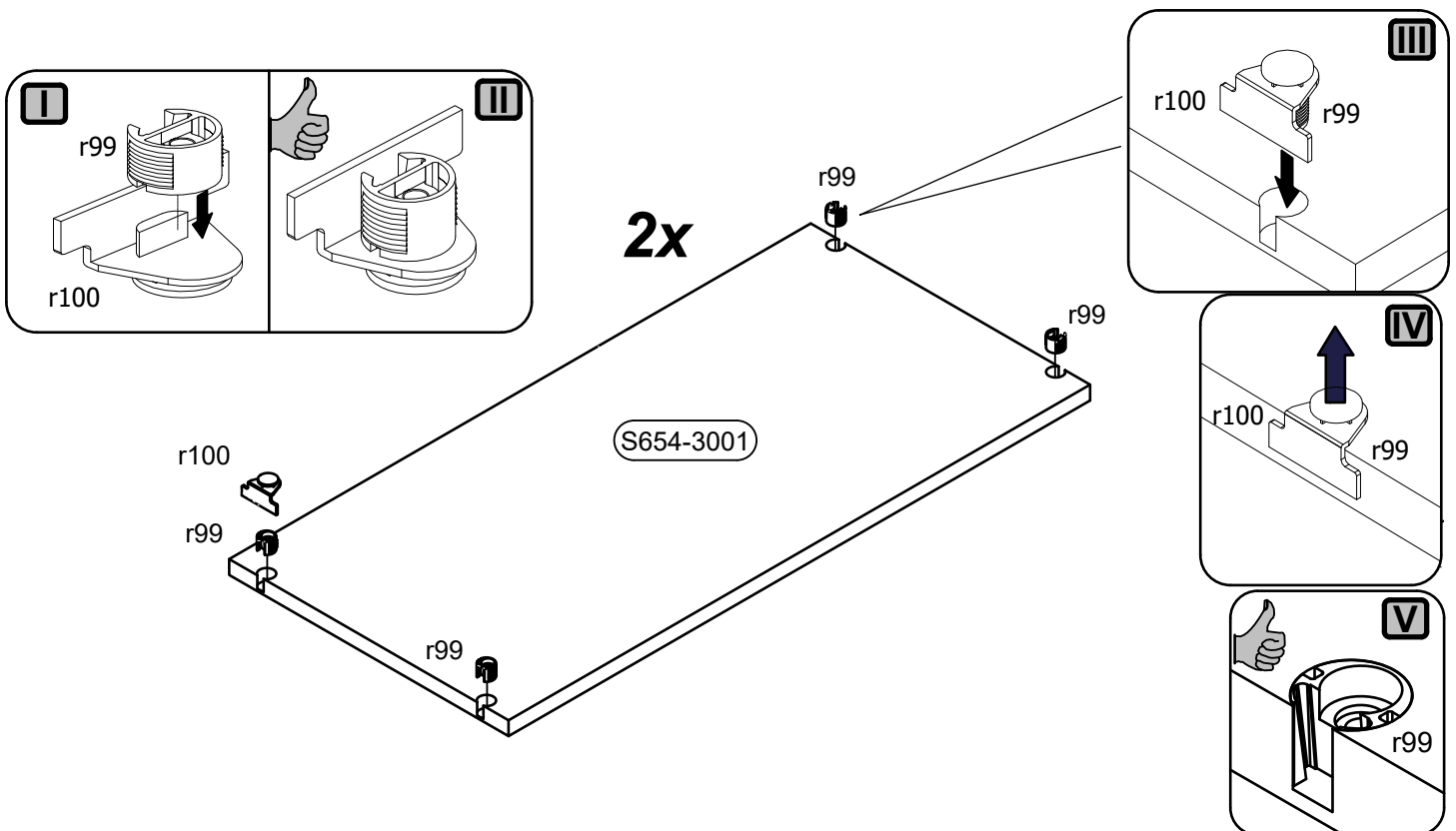
3 §2

p36  Ø4x25 mm	16x	k178 	4x
--	-----	---	----


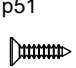


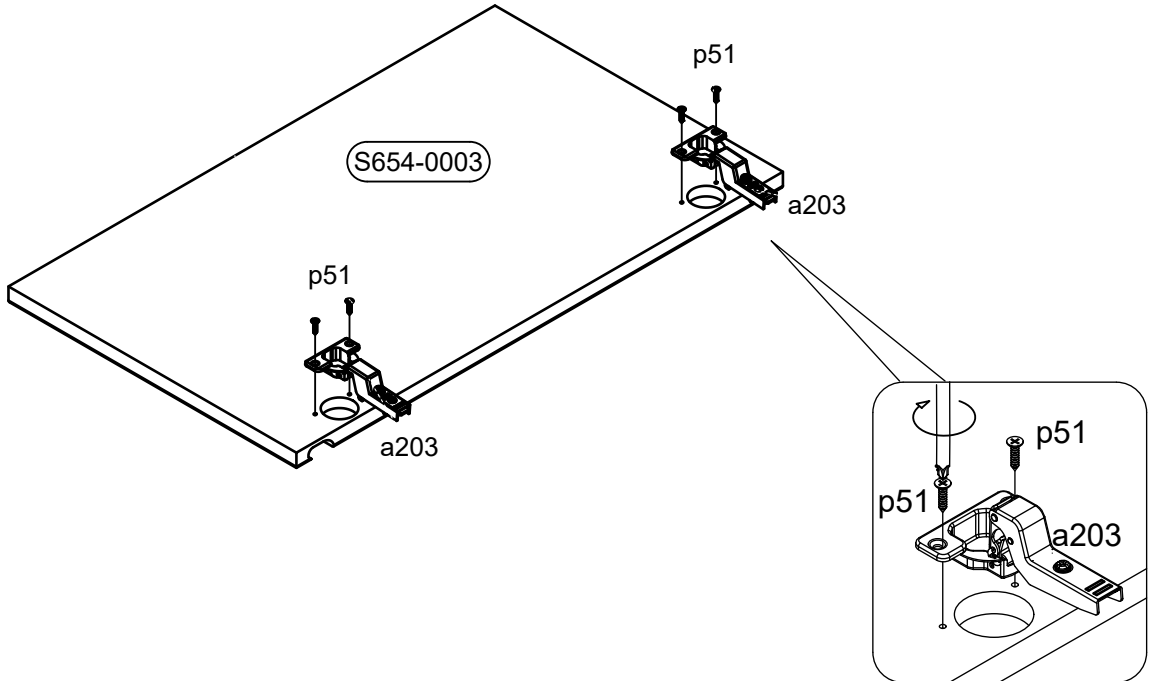
4 §2

r100 	1x	r99 	8x
---	----	--	----


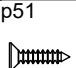


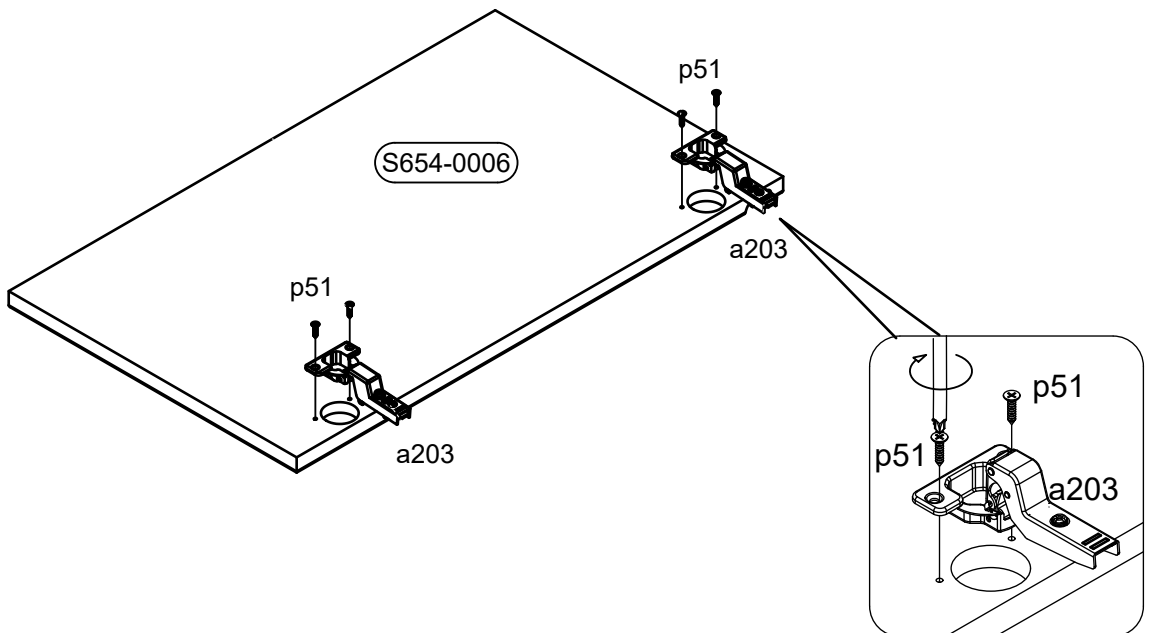
5 

 a203	2x	 p51	4x
		3.5x15mm	

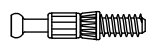


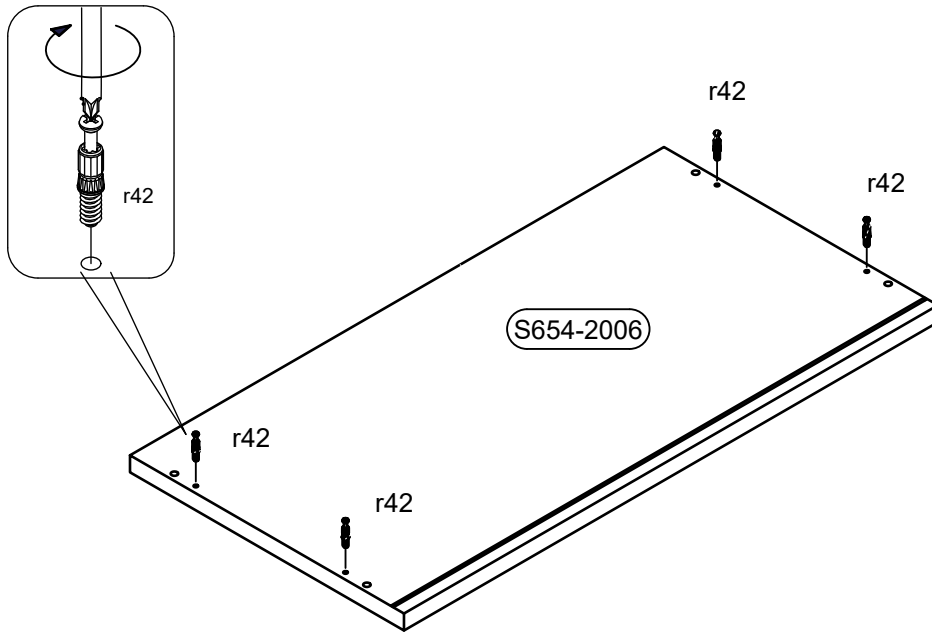
6

 a203	2x	 p51	4x
		3.5x15mm	

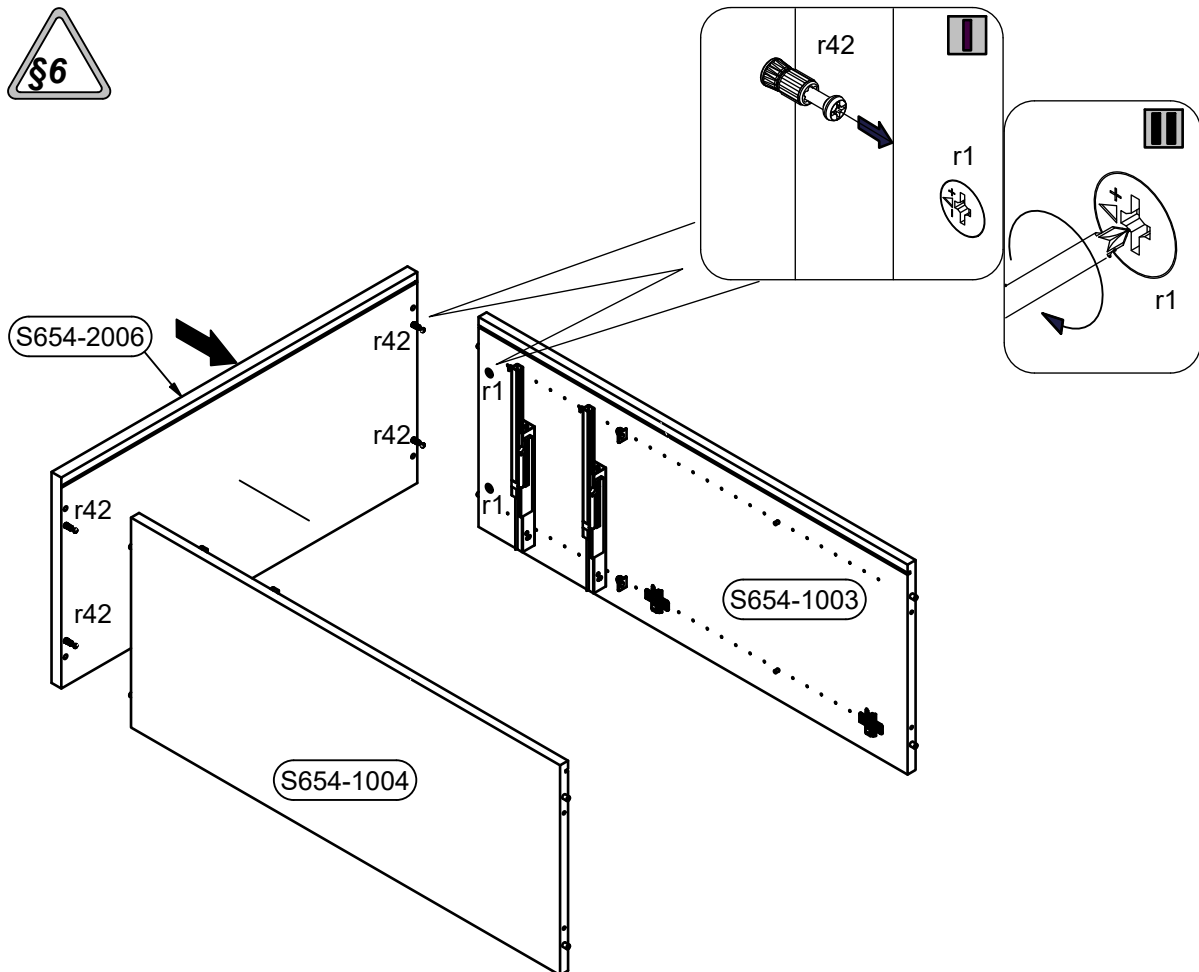


7 

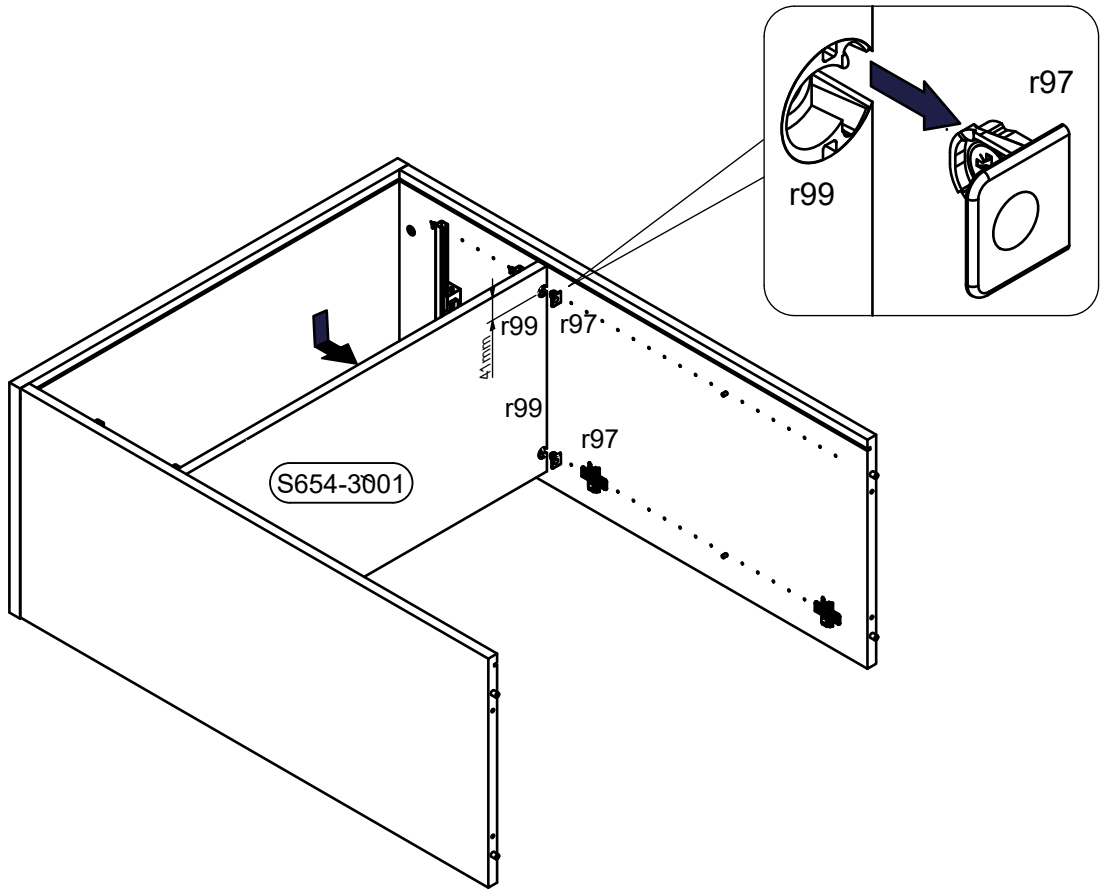
 <p>r42</p>	<p>4x</p>
--	-----------



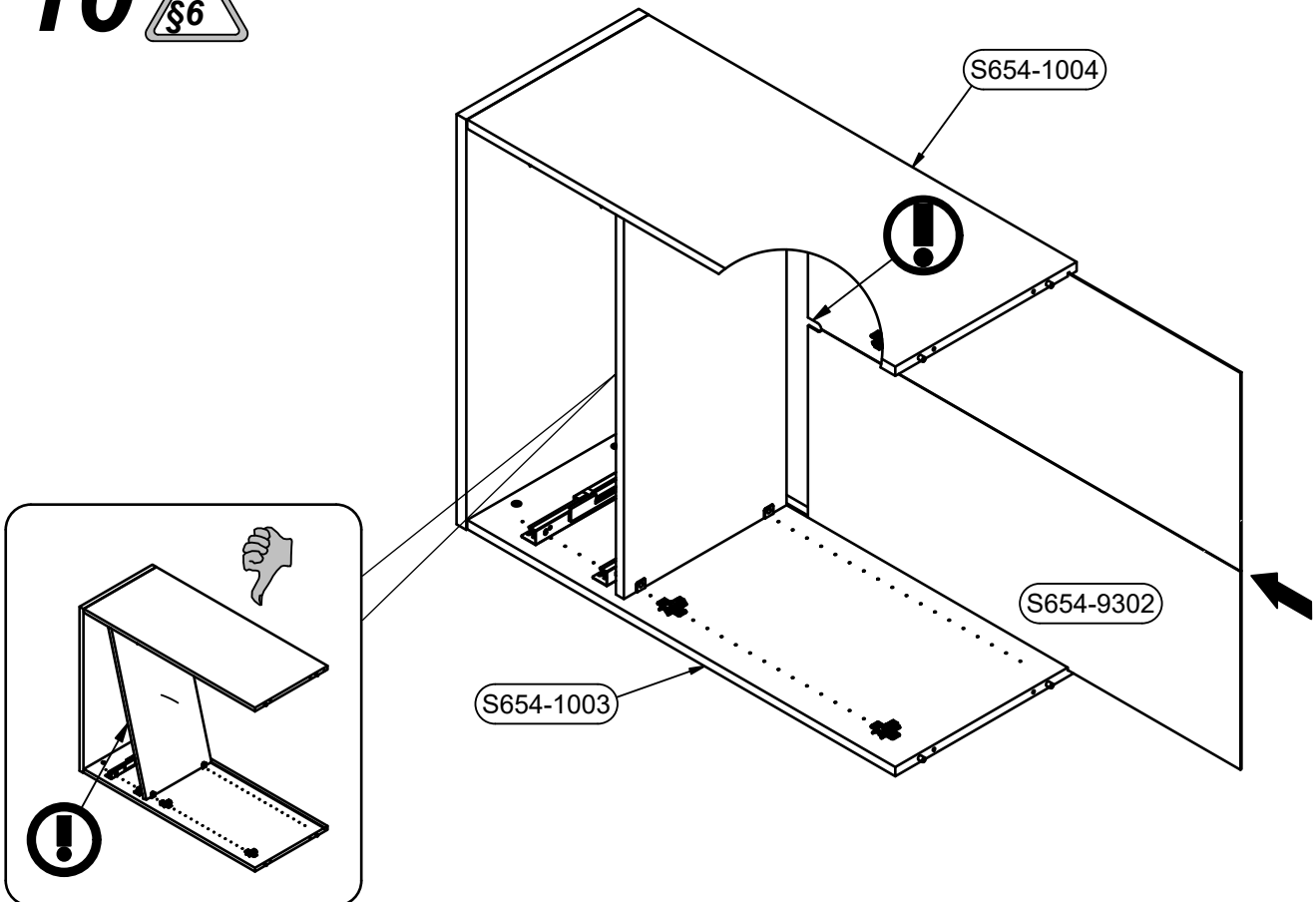
8 



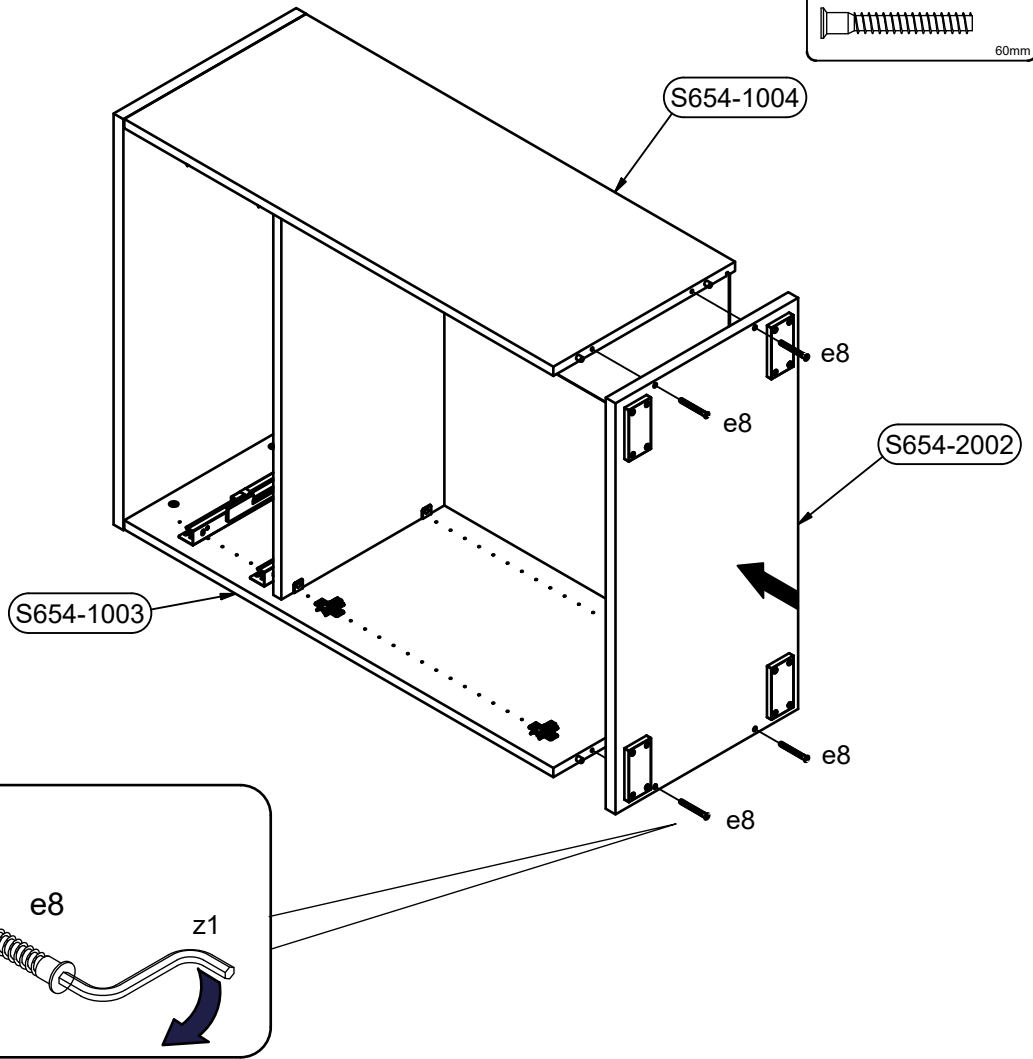
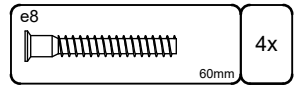
9



10

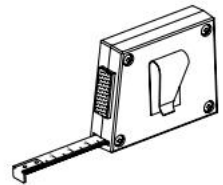
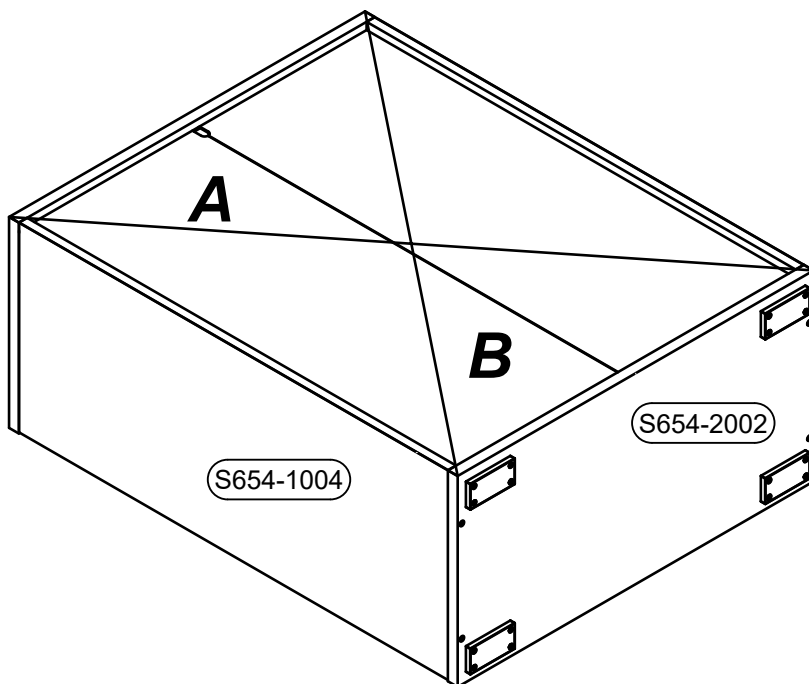


11

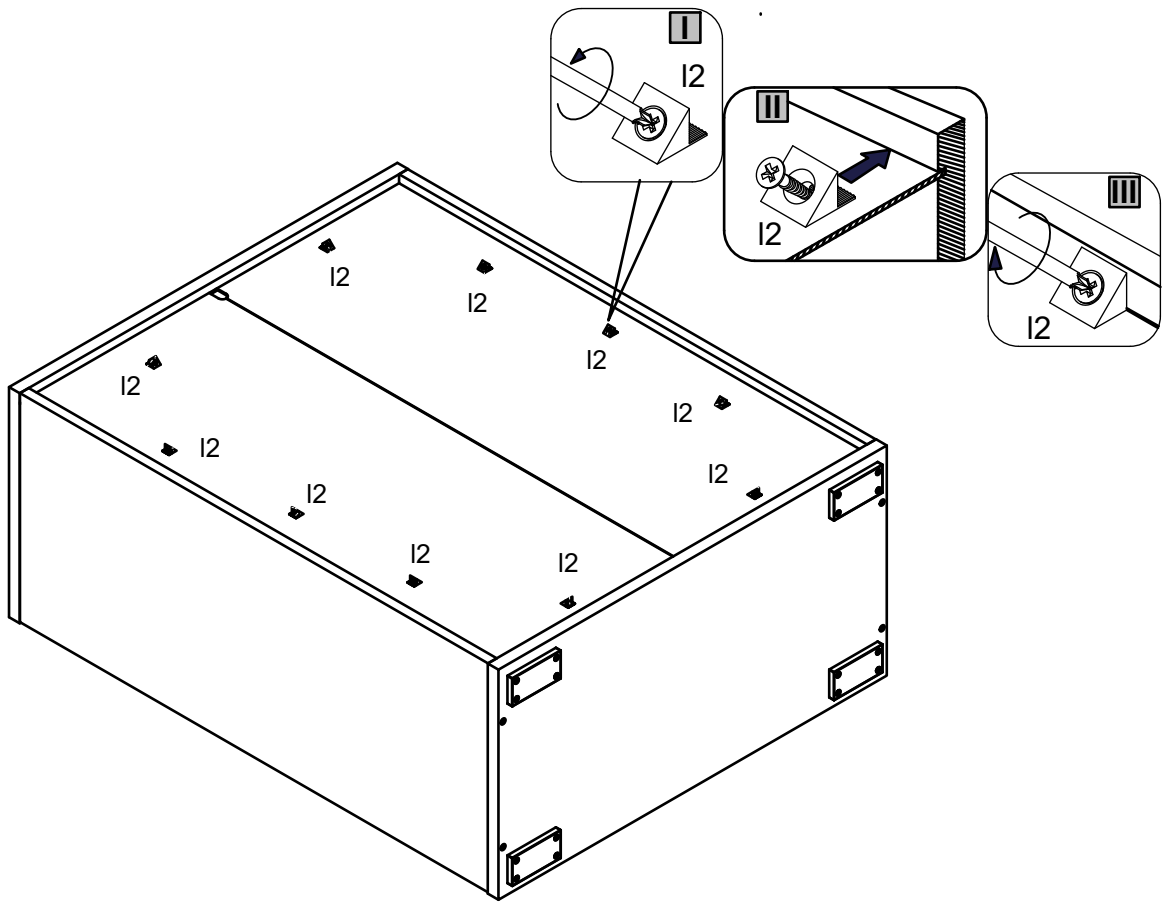
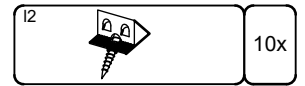


12

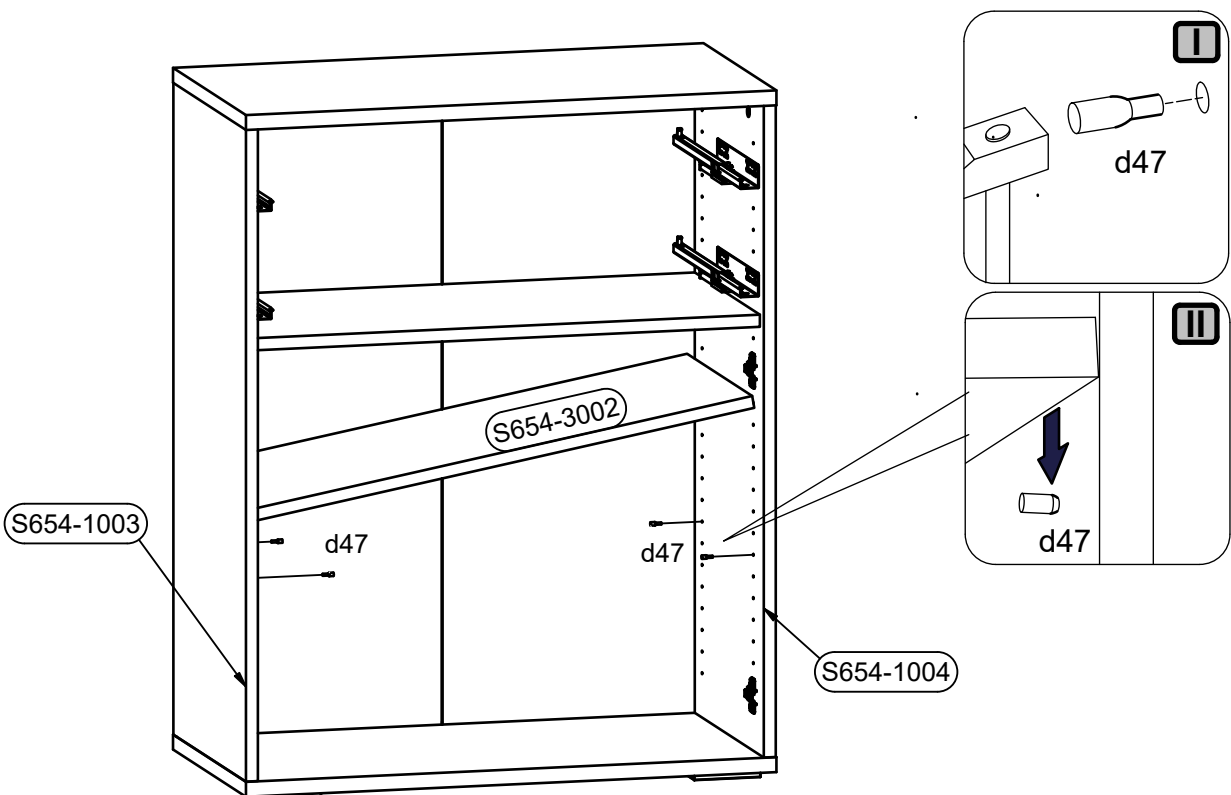
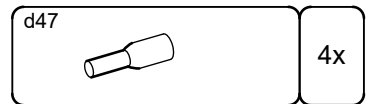
A=B



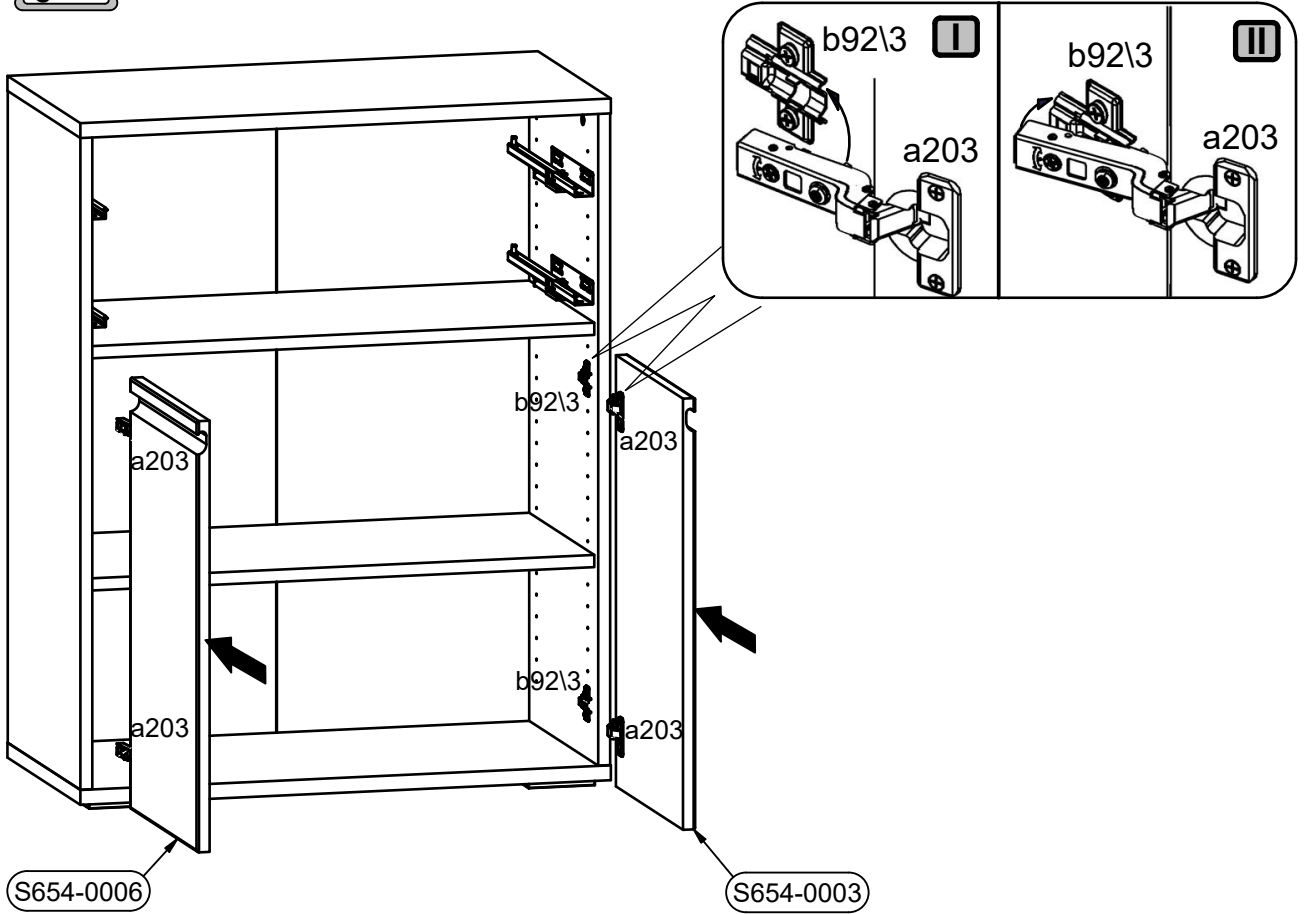
13



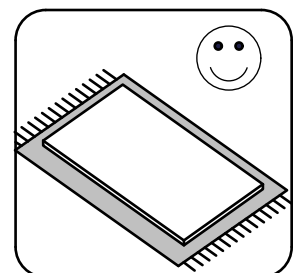
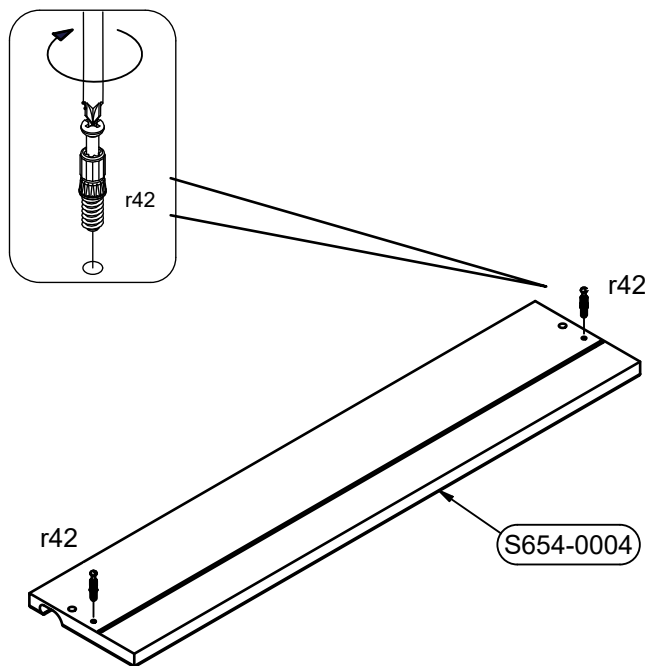
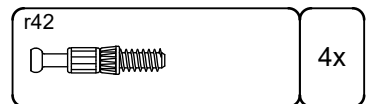
14



15



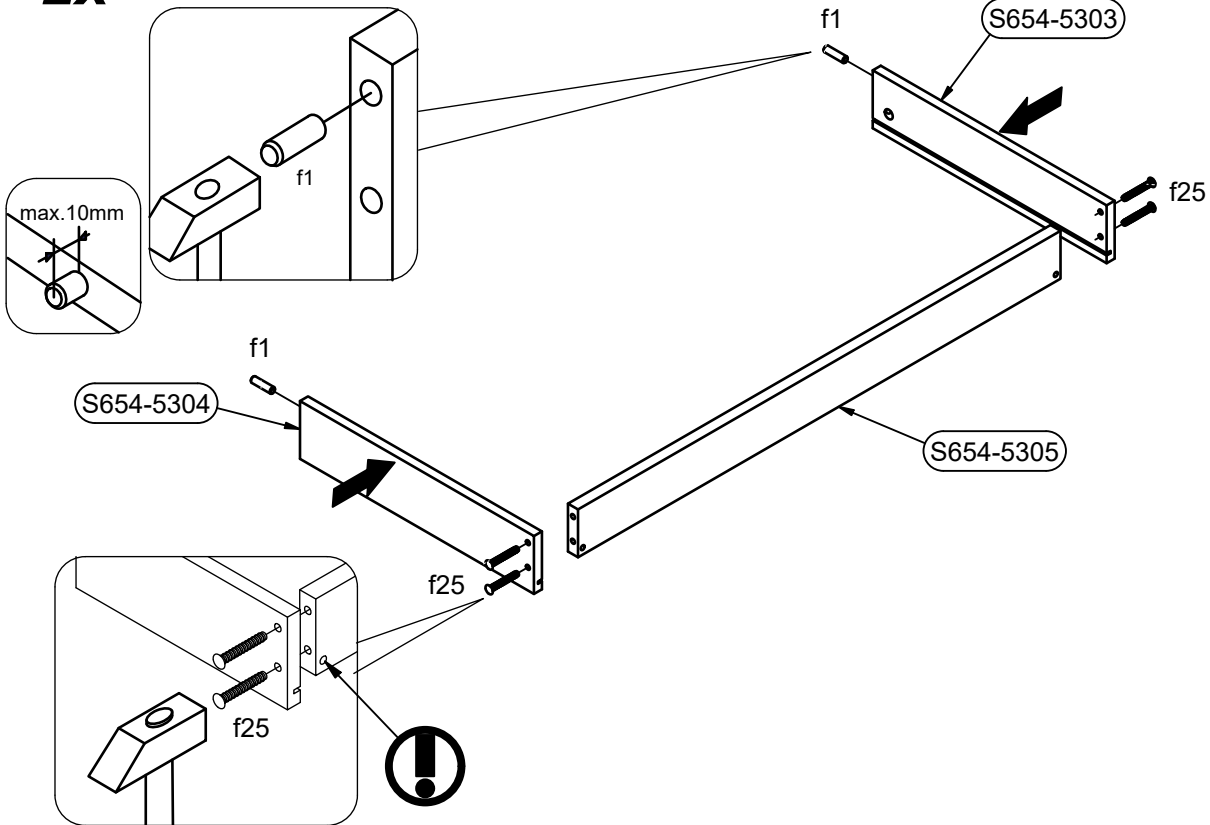
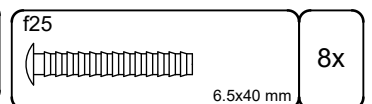
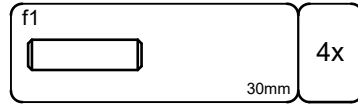
16



15

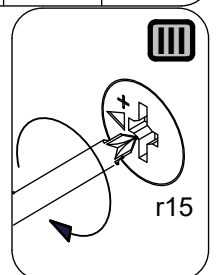
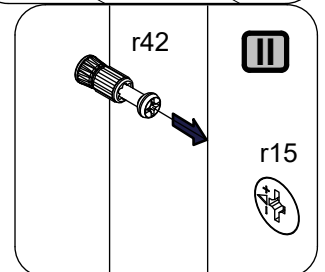
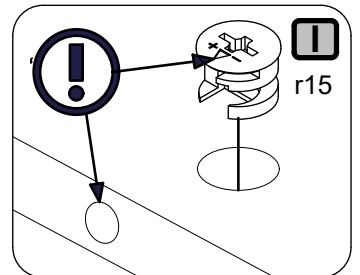
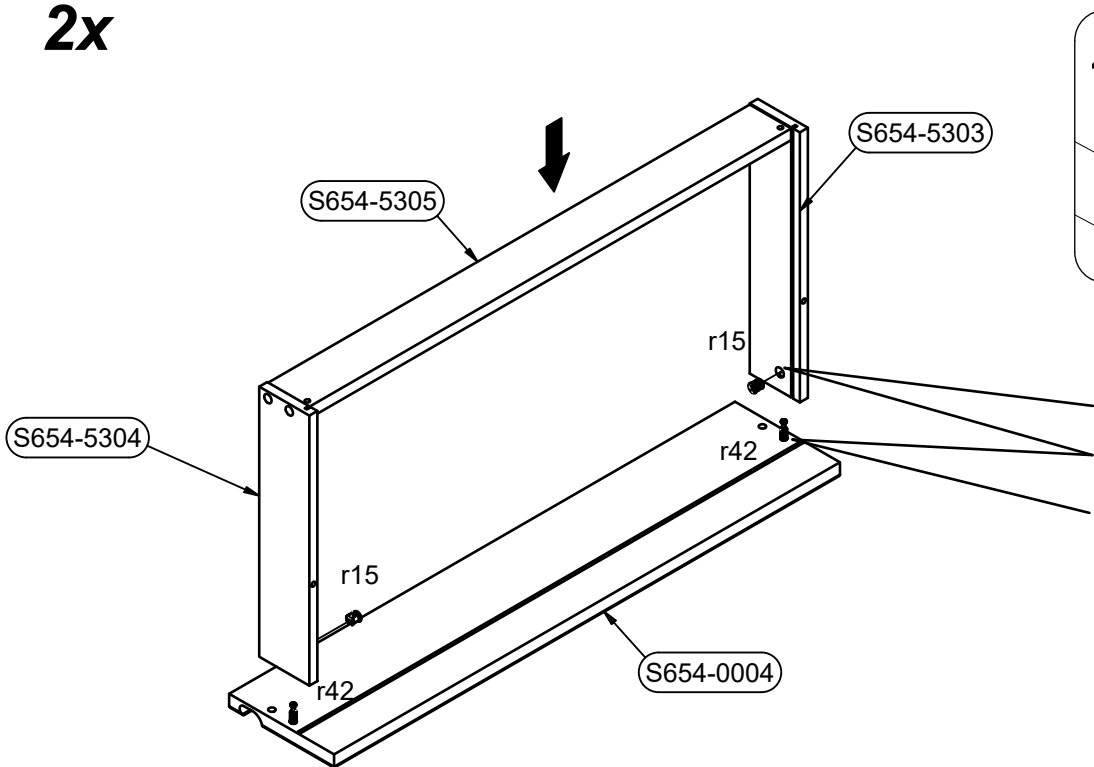
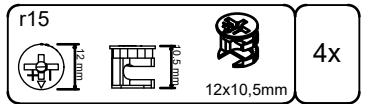


2x

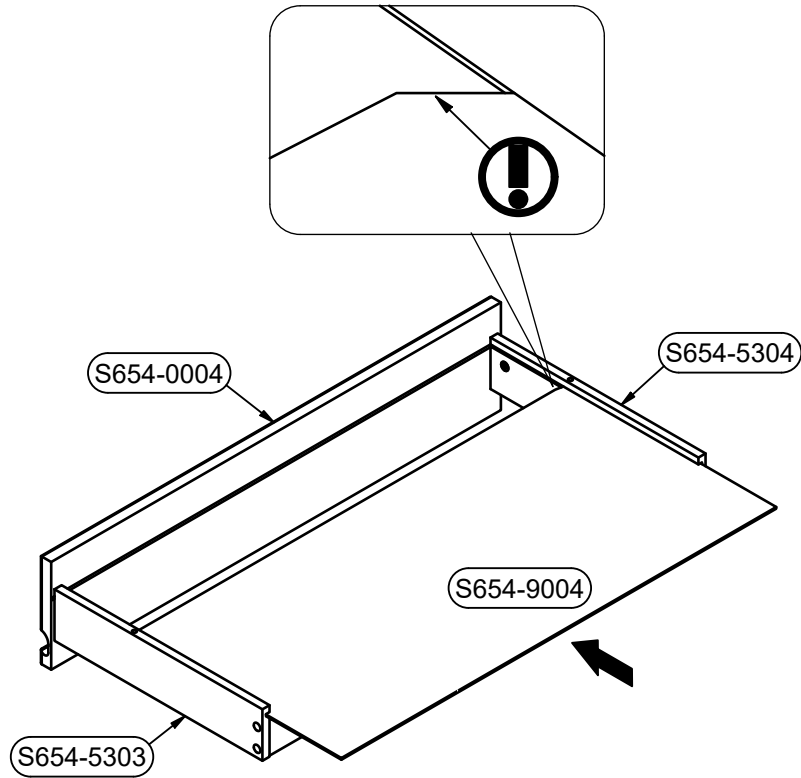


16

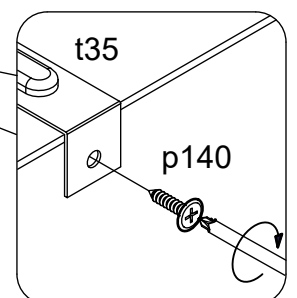
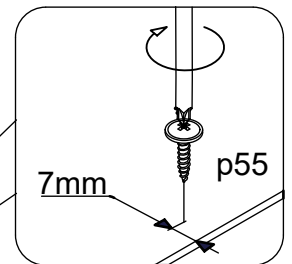
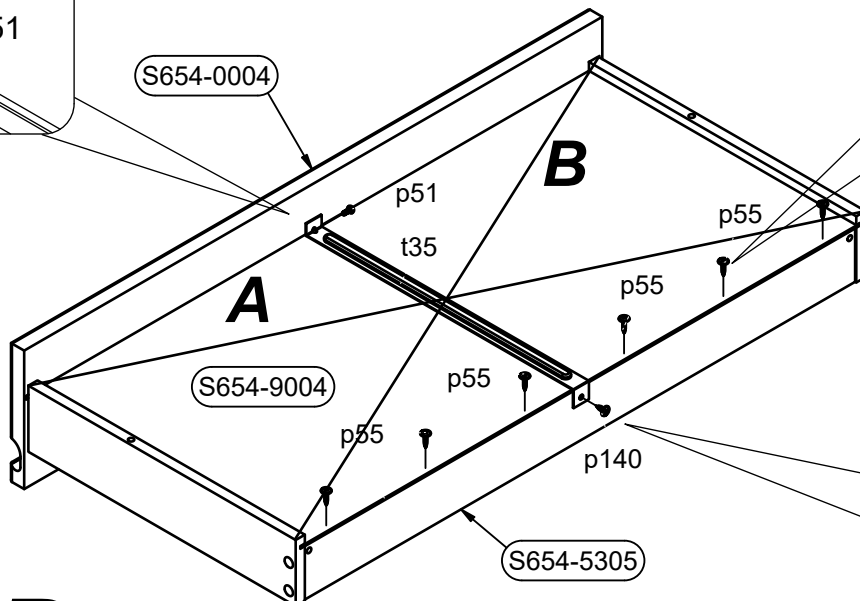
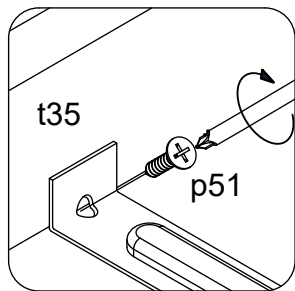
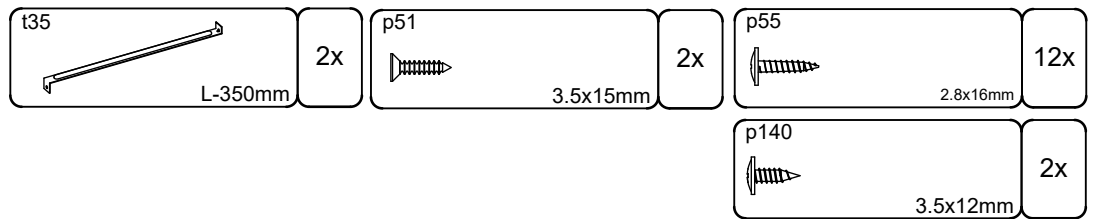
2x



17 
2x

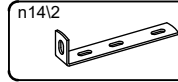


18 
2x



A=B

19

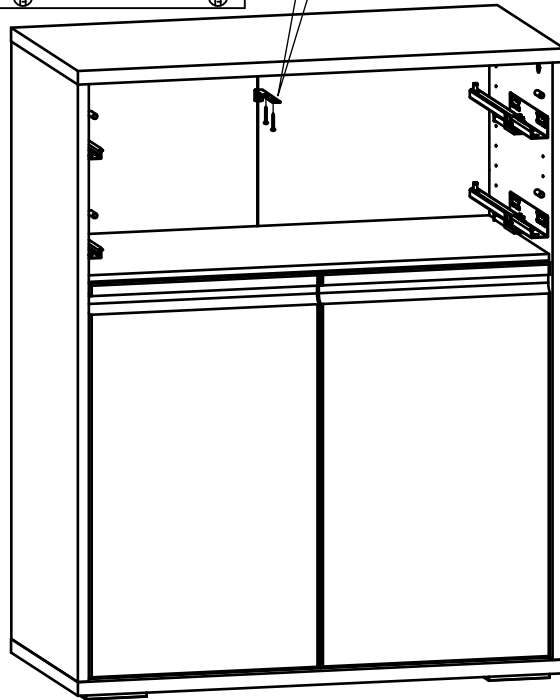
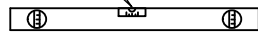
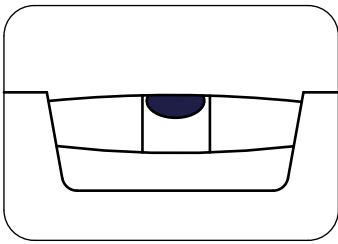
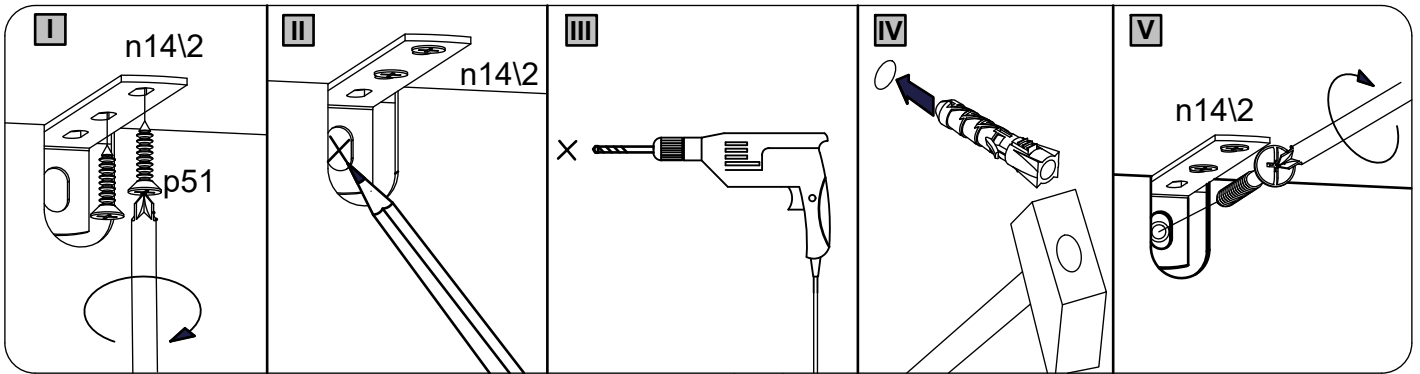


1x

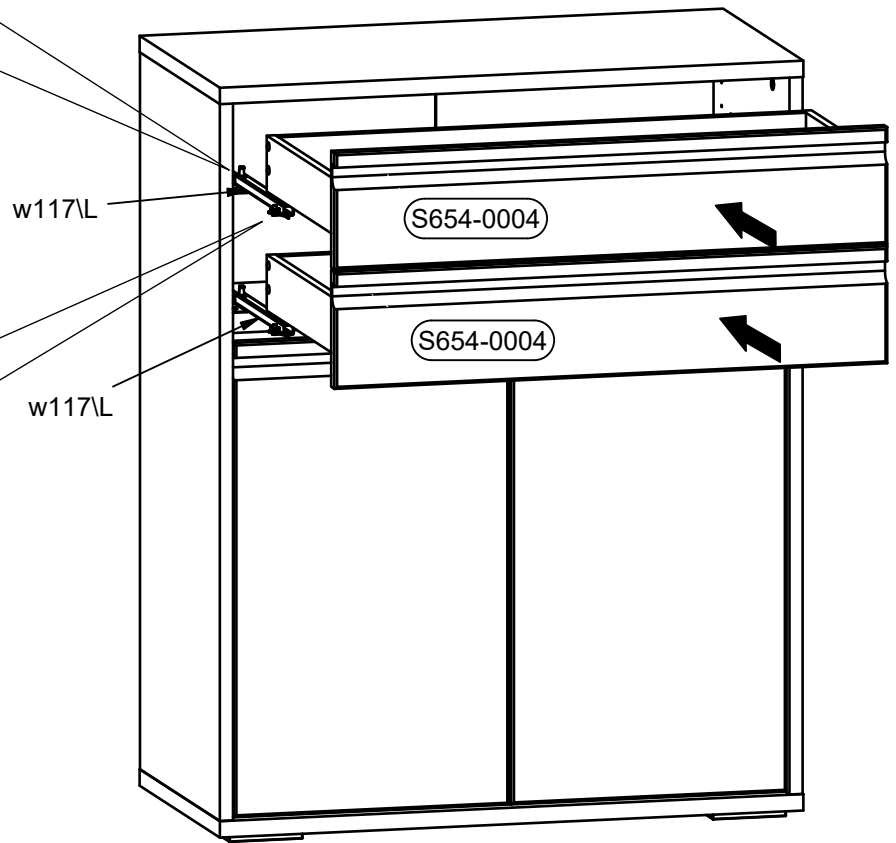
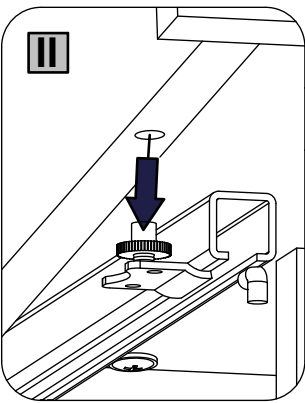
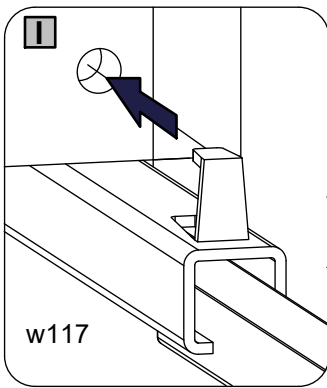


3.5x15mm

2x



20



p55
2.8x16mm
4x

21

