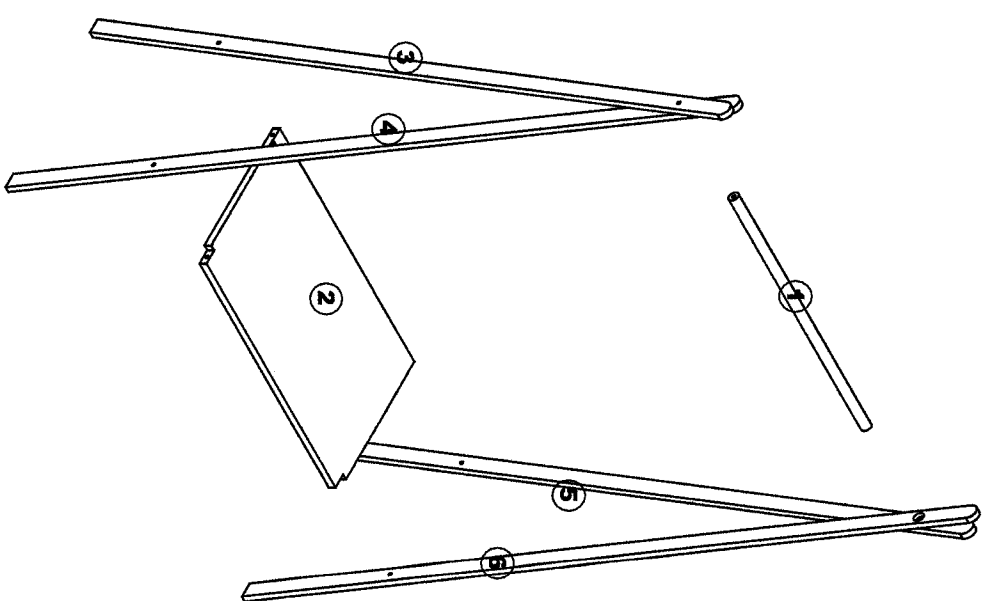
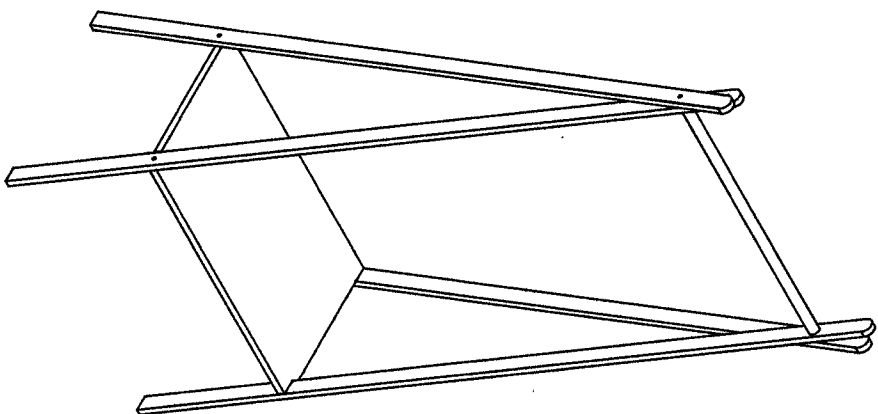


ASSEMBLY INSTRUCTION



A x 2

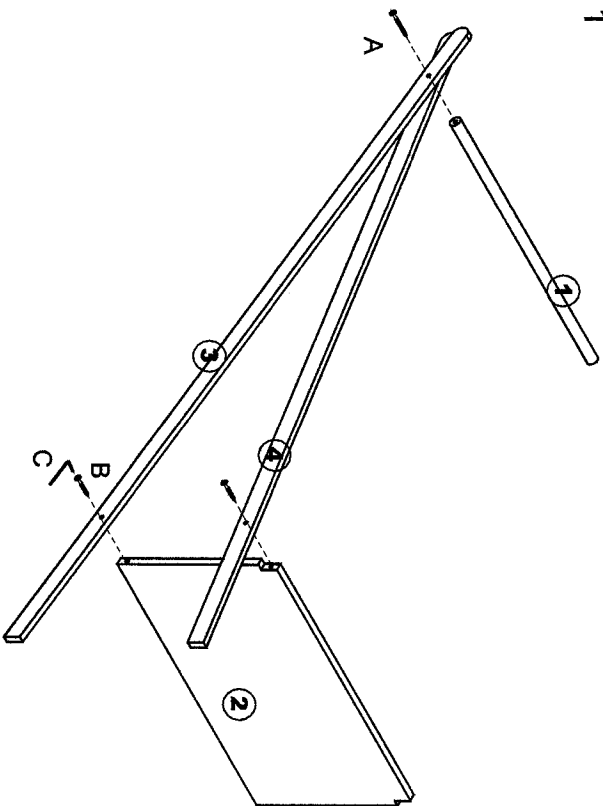


B x 4

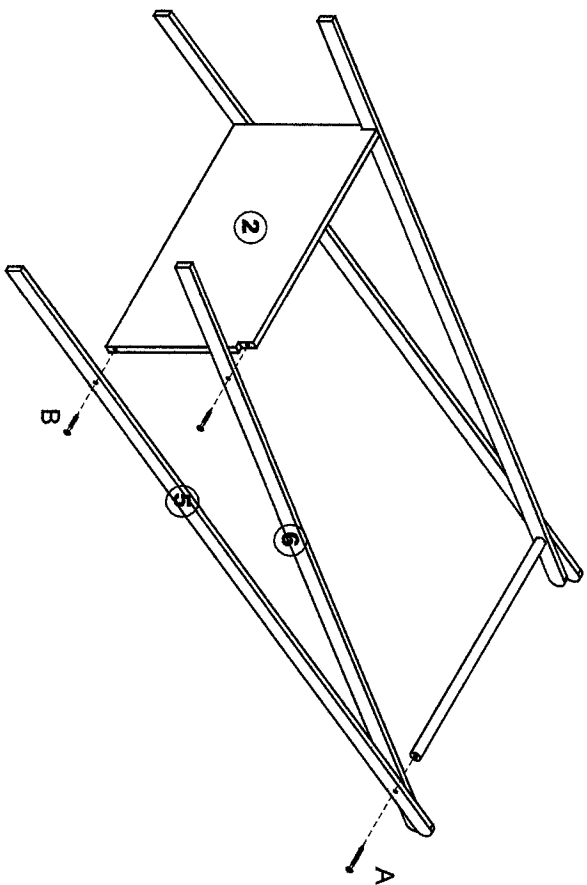


C x 1

STEP 1



STEP 2



STEP 3

