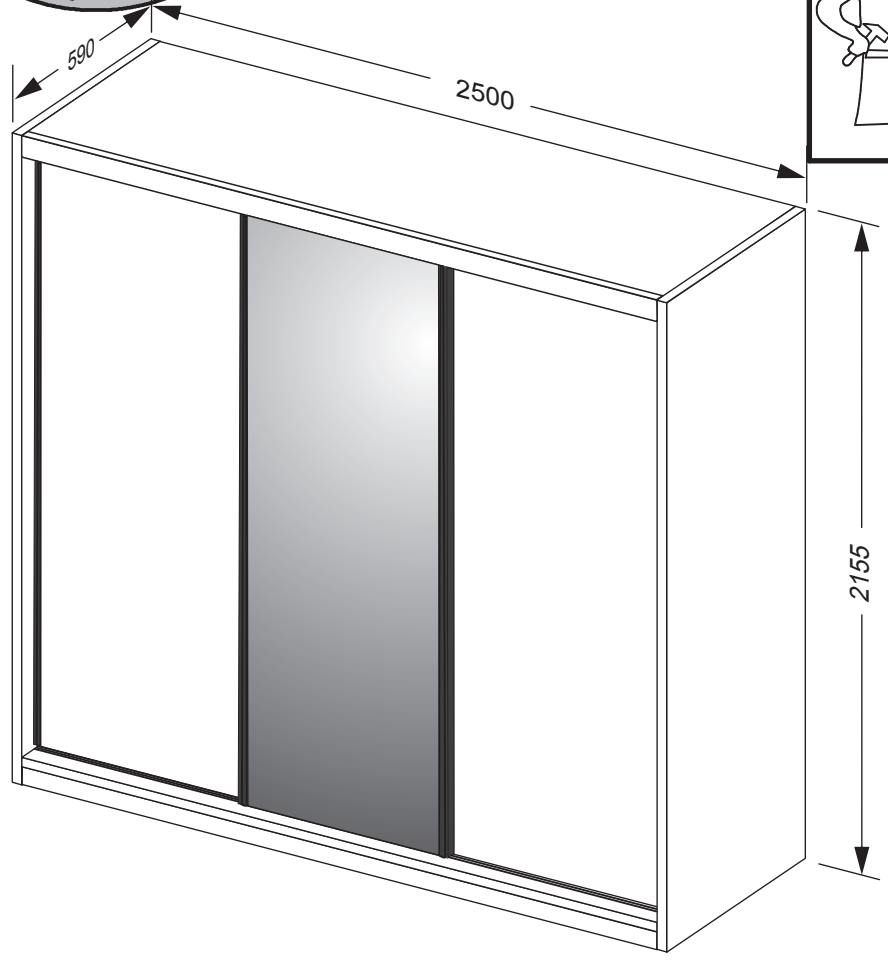
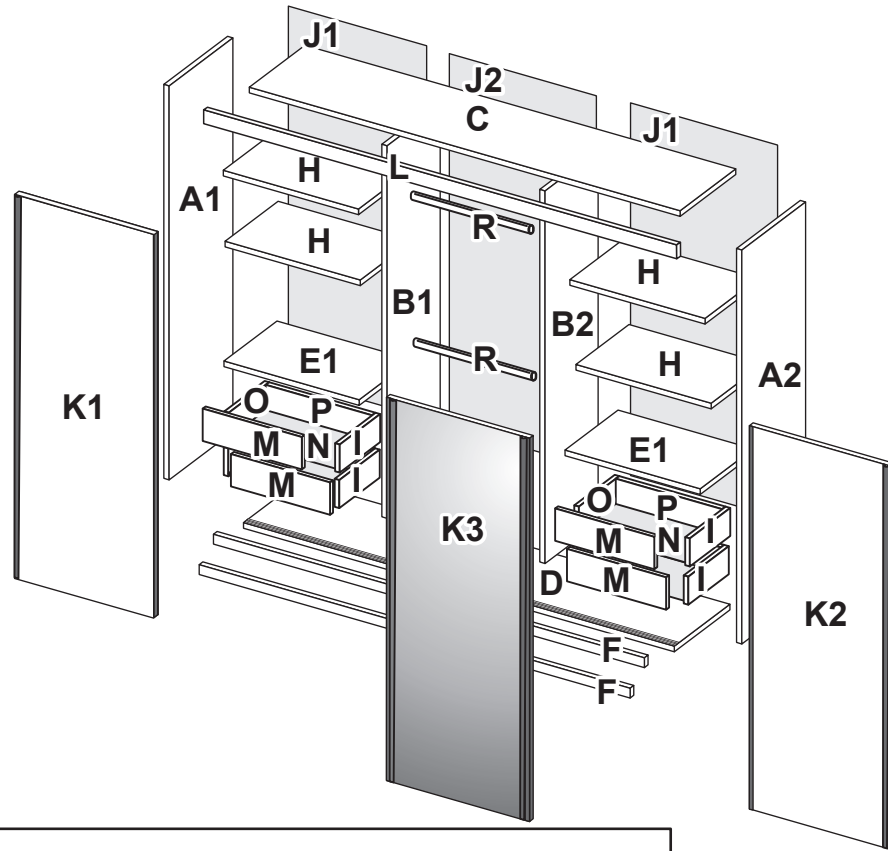


08850015/09  
08850015/10  
08850015/11  
08850015/12

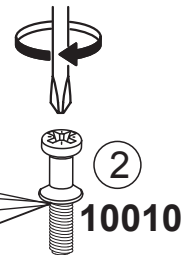
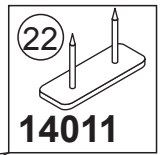
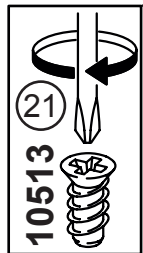
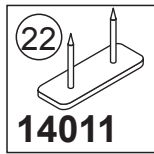
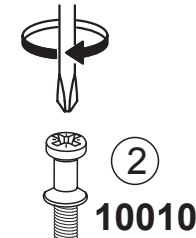
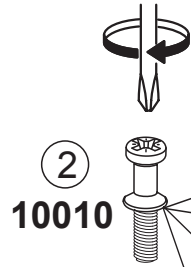
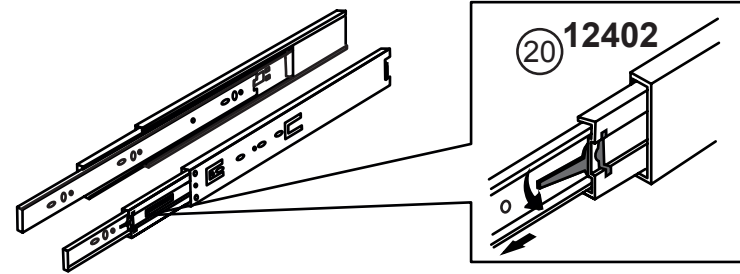
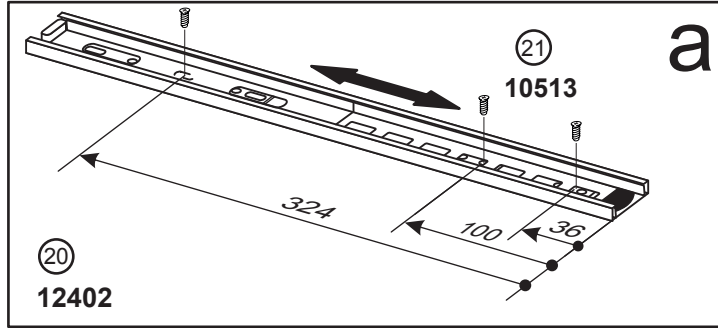


|  |  |  |
|--|--|--|
|  |  |  |
|  |  |  |
|  |  |  |
|  |  |  |
|  |  |  |

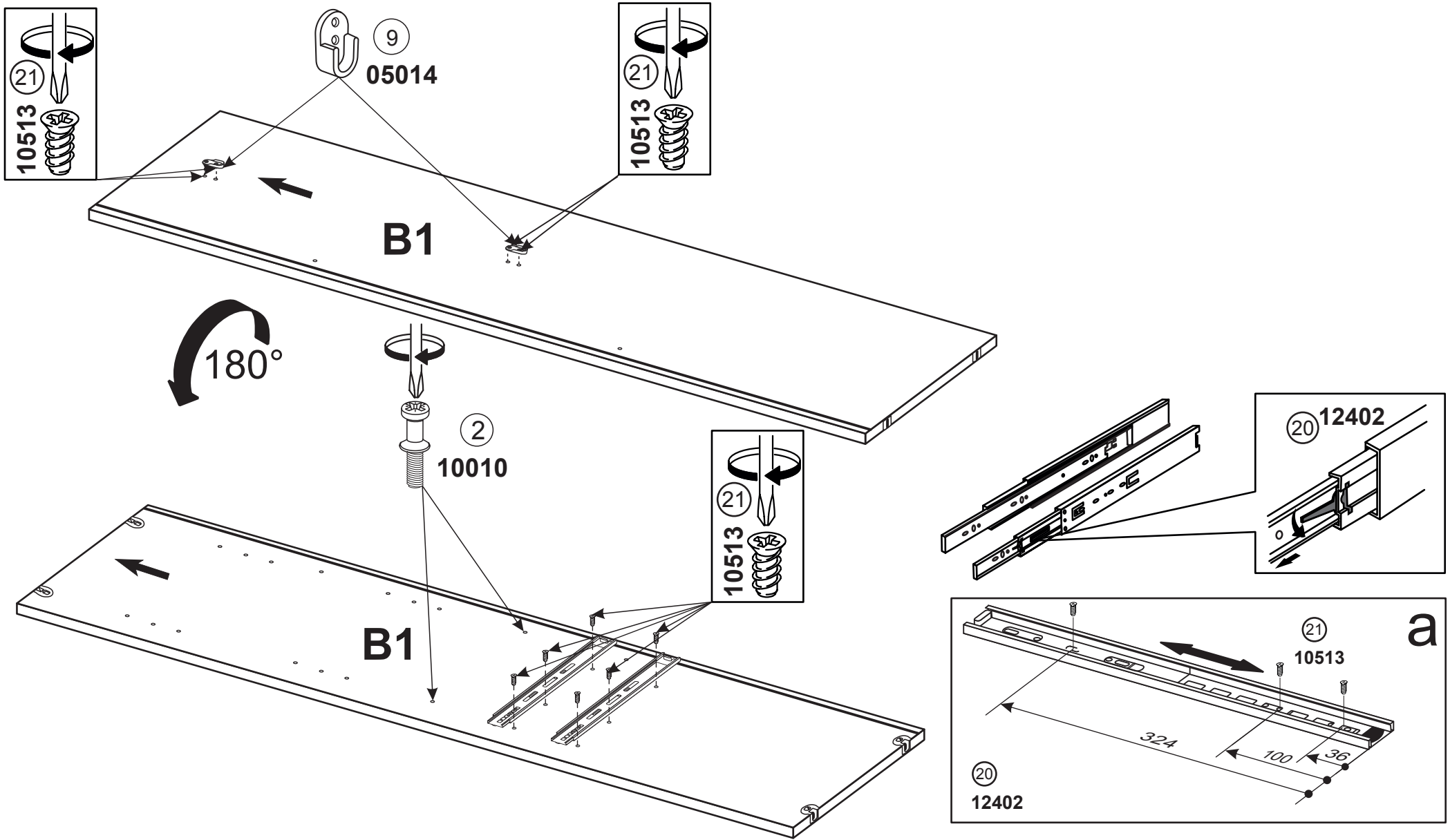



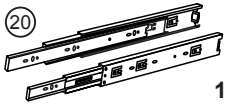

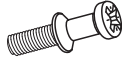
| Teil | Maß               | St        |
|------|-------------------|-----------|
| A1   | - 2148 x 590 x 16 | - x 1 1/8 |
| A2   | - 2148 x 590 x 16 | - x 1 1/8 |
| B1   | - 2066 x 486 x 16 | - x 1 2/8 |
| B2   | - 2066 x 486 x 16 | - x 1 2/8 |
| C    | - 2468 x 572 x 16 | - x 1 3/8 |
| D    | - 2468 x 590 x 16 | - x 1 3/8 |
| E1   | - 771 x 472 x 16  | - x 2 4/8 |
| F    | - 2468 x 50 x 16  | - x 2 3/8 |
| H    | - 771 x 470 x 16  | - x 4 4/8 |
| I    | - 400 x 130 x 16  | - x 4 5/8 |
| J1   | - 2074 x 779 x 3  | - x 1 6/8 |
| J1   | - 2074 x 779 x 3  | - x 1 7/8 |
| J2   | - 2074 x 902 x 3  | - x 1 2/8 |
| K1   | - 839 x 2048 x 16 | - x 1 6/8 |
| K2   | - 839 x 2048 x 16 | - x 1 7/8 |
| K3   | - 839 x 2048 x 16 | - x 1 8/8 |
| L    | - 2468 x 80 x 16  | - x 1 3/8 |
| M    | - 765 x 200 x 16  | - x 4 5/8 |
| N    | - 725 x 396 x 3   | - x 4 5/8 |
| O    | - 400 x 130 x 16  | - x 4 5/8 |
| P    | - 713 x 130 x 16  | - x 4 5/8 |
| R    | - 887 MM          | - x 2 3/8 |

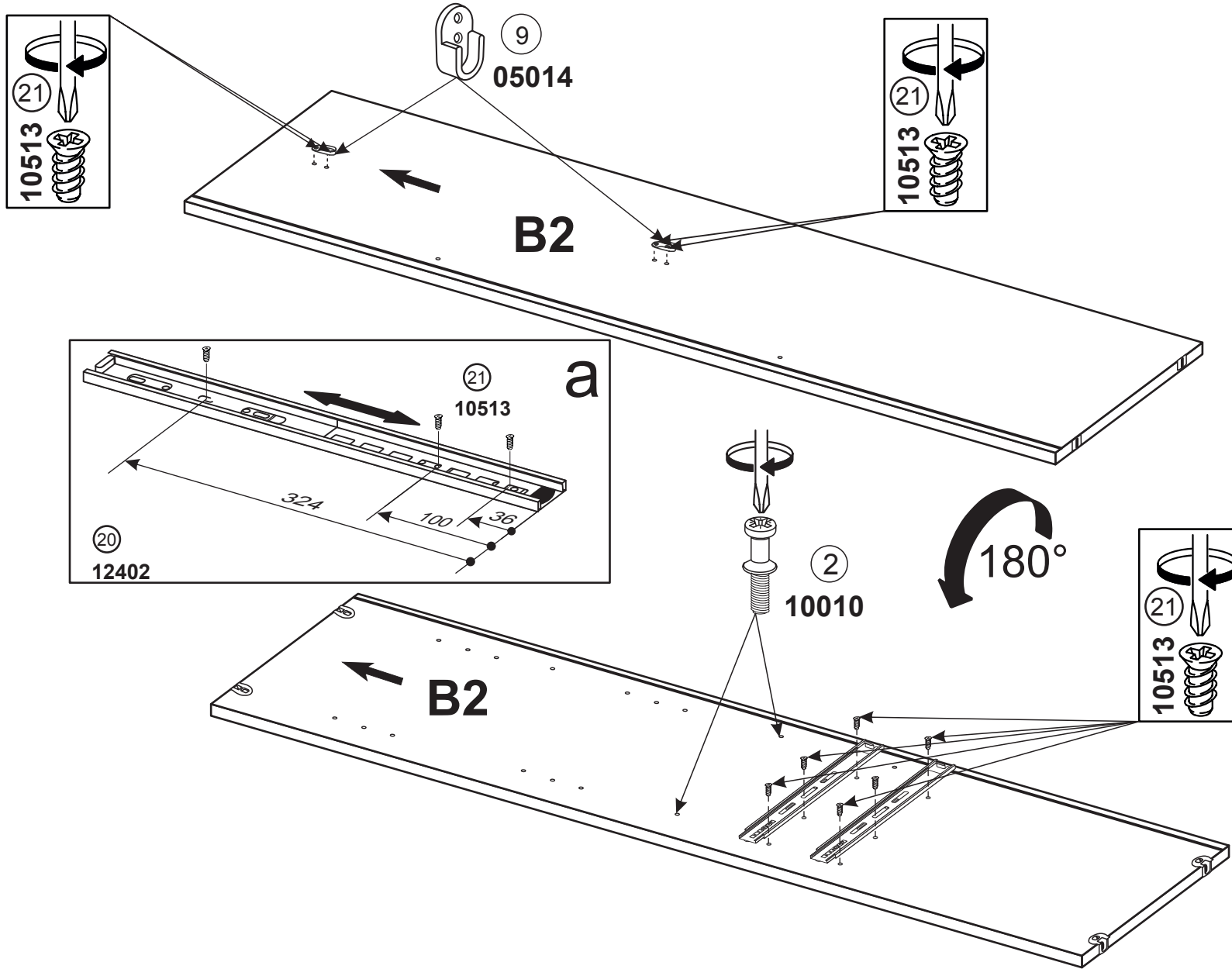
|                    |                               |                               |                               |                    |                             |                              |
|--------------------|-------------------------------|-------------------------------|-------------------------------|--------------------|-----------------------------|------------------------------|
| ① x12<br>11002<br> | ② x24<br>10010<br>            | ③ x12<br>11016<br>            | ④ x50<br>21008<br>Ø8x30<br>   | ⑤ x6<br>17008<br>  | ⑥ x6<br>17009<br>           | ⑦ x8<br>07650<br>Ø6.4x50<br> |
| ⑧ x1<br>07001<br>  | ⑨ x4<br>05014<br>             | ⑩ x16<br>10315<br>Ø3.5x15<br> | ⑪ x1<br>05001<br>             | ⑫ x16<br>16010<br> | ⑬ x42<br>10416<br>Ø4x16<br> | ⑭ x12<br>05030<br>           |
| ⑮ x2<br>08011<br>  | ⑯ x2<br>10016<br>Ø8x50<br>    | ⑰ x2<br>10443<br>Ø5x60<br>    | ⑱ x12<br>10413<br>Ø4.2x13<br> | ⑲ x8<br>00212<br>  | ⑳ x4<br>12402<br>           | ㉑ x56<br>10513<br>Ø5x13<br>  |
| ㉒ x8<br>14011<br>  | ㉓ x12<br>10615<br>Ø6.3x10<br> | ㉔ x4<br>05400<br>             |                               |                    |                             |                              |



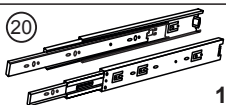
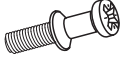


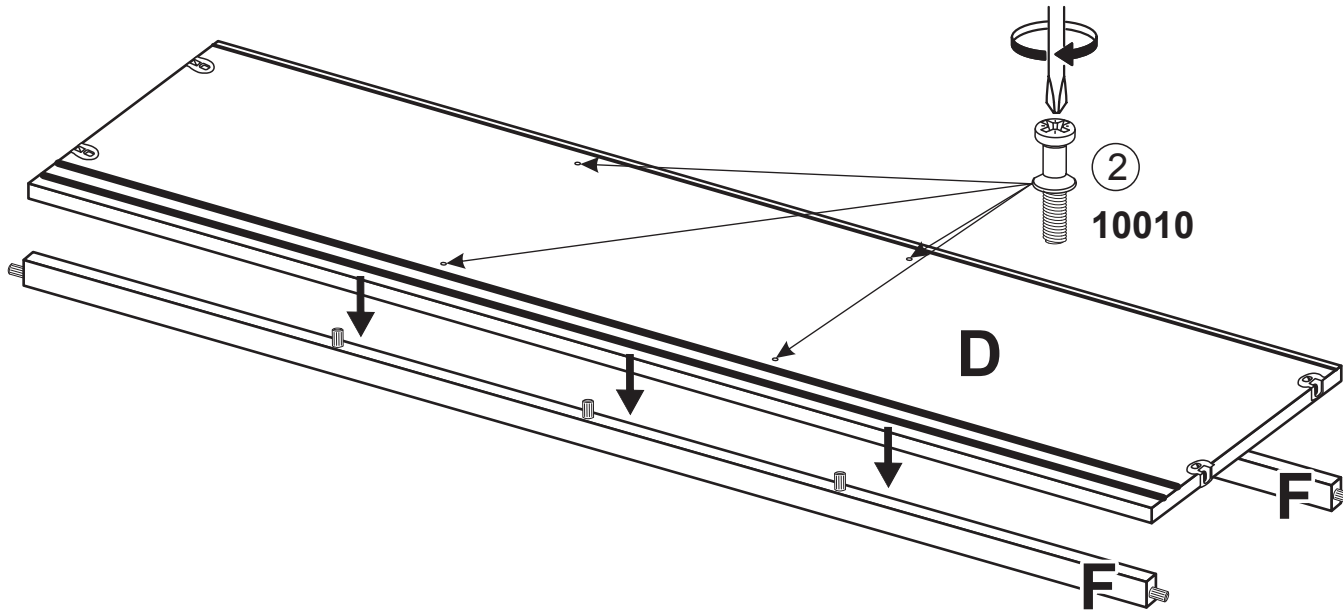
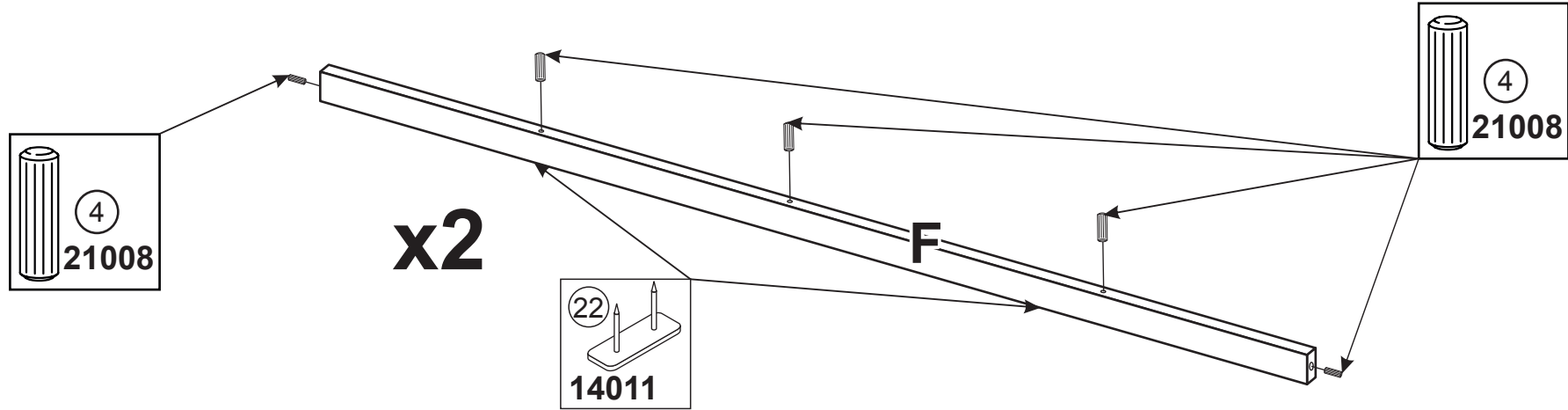
|   |       |       |   |  |       |   |  |       |   |  |       |
|---|-------|-------|---|--|-------|---|--|-------|---|--|-------|
| ① | Ø5x13 | x12   | ② |  | x12   | ② |  | x4    | ② |  | x2    |
|   |       | 10513 |   |  | 10010 |   |  | 14011 |   |  | 12402 |

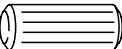
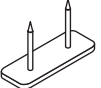



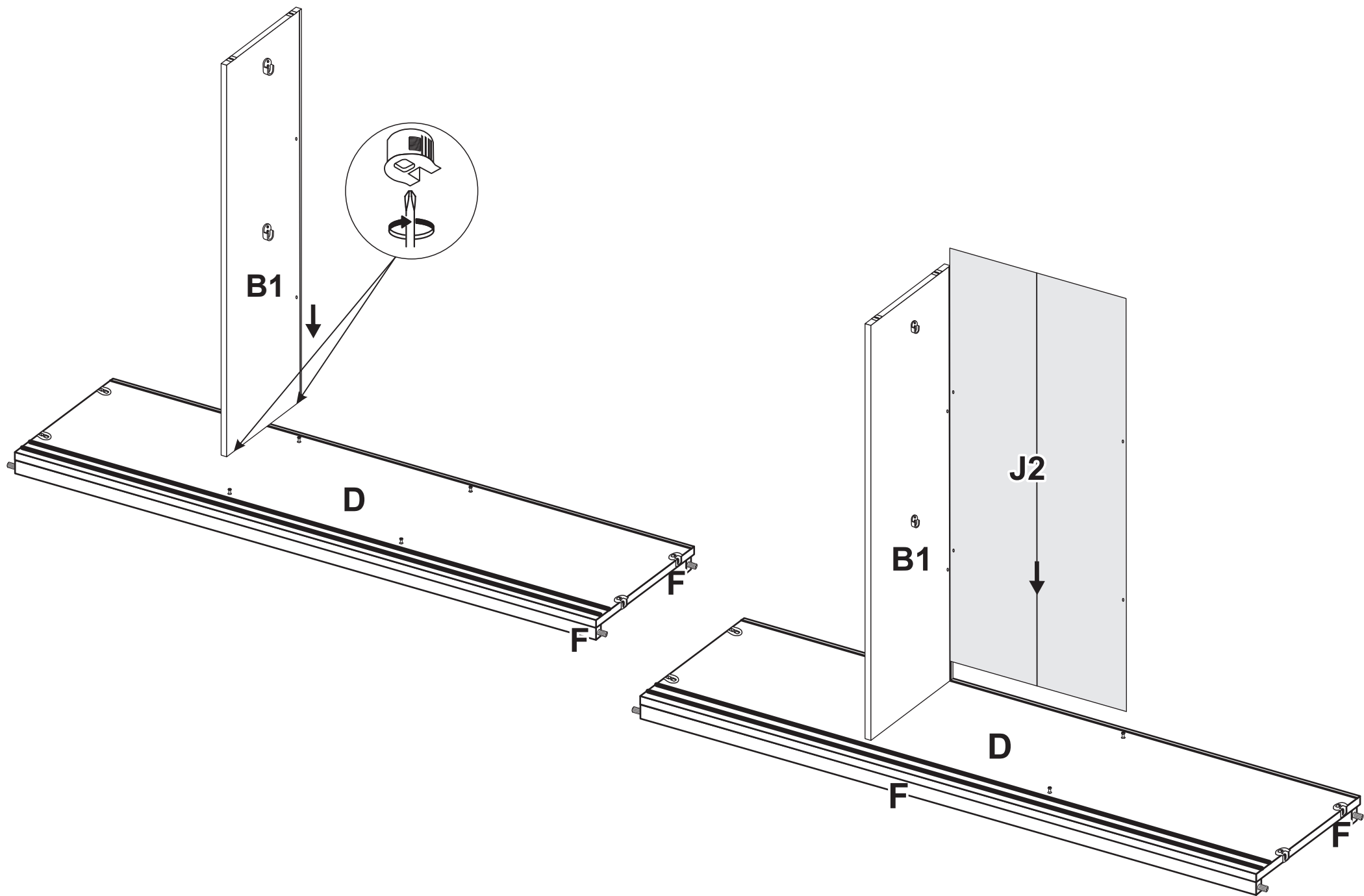
|  |  |   |   |
|--|--|---|---|
|  <p>9</p> | <p>x2</p>  <p>20</p> <p>05014</p> | <p>x1</p>  <p>21</p> <p>Ø5x13</p> <p>10513</p> | <p>x2</p>  <p>2</p> <p>10010</p> |
|--|--|---|---|

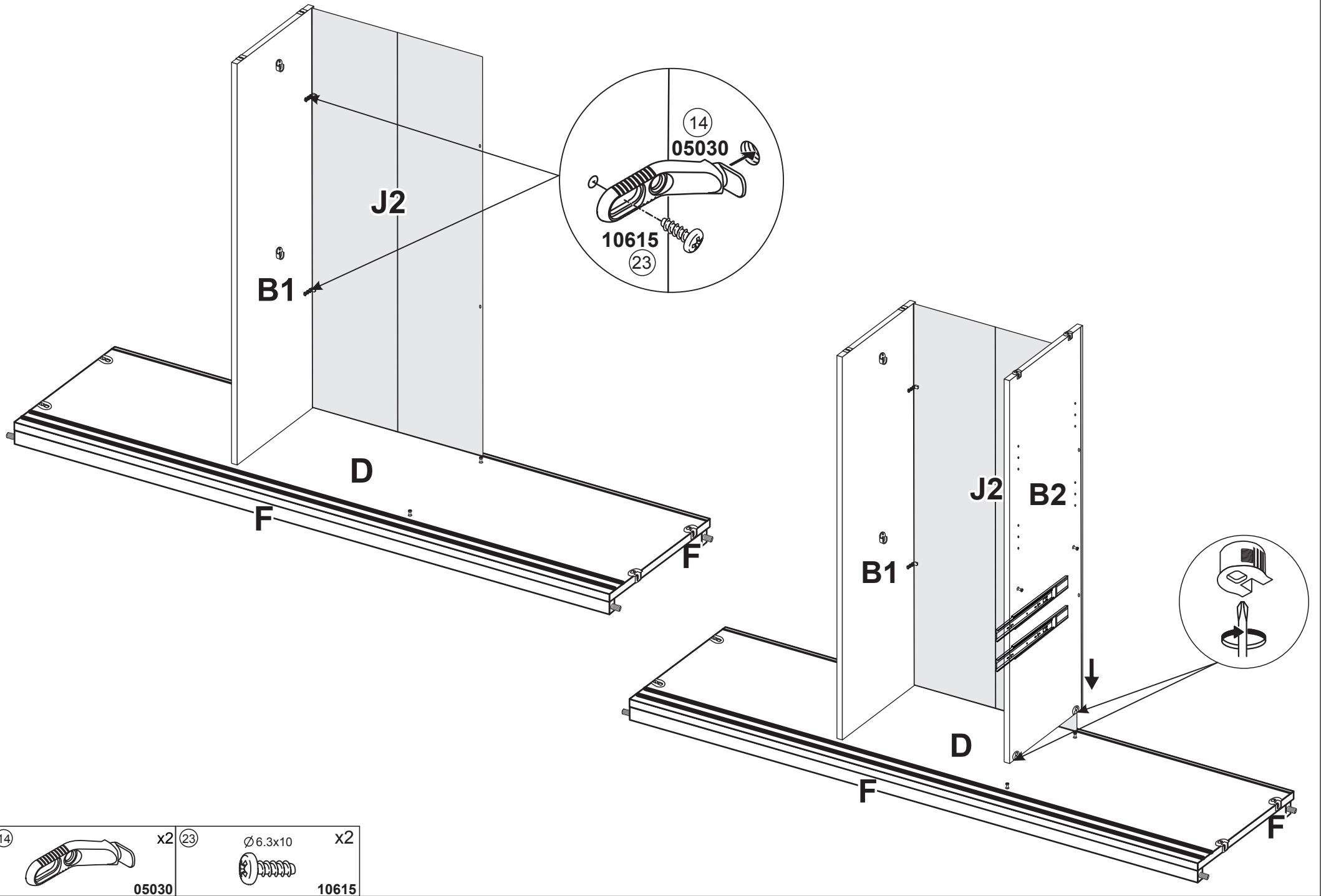


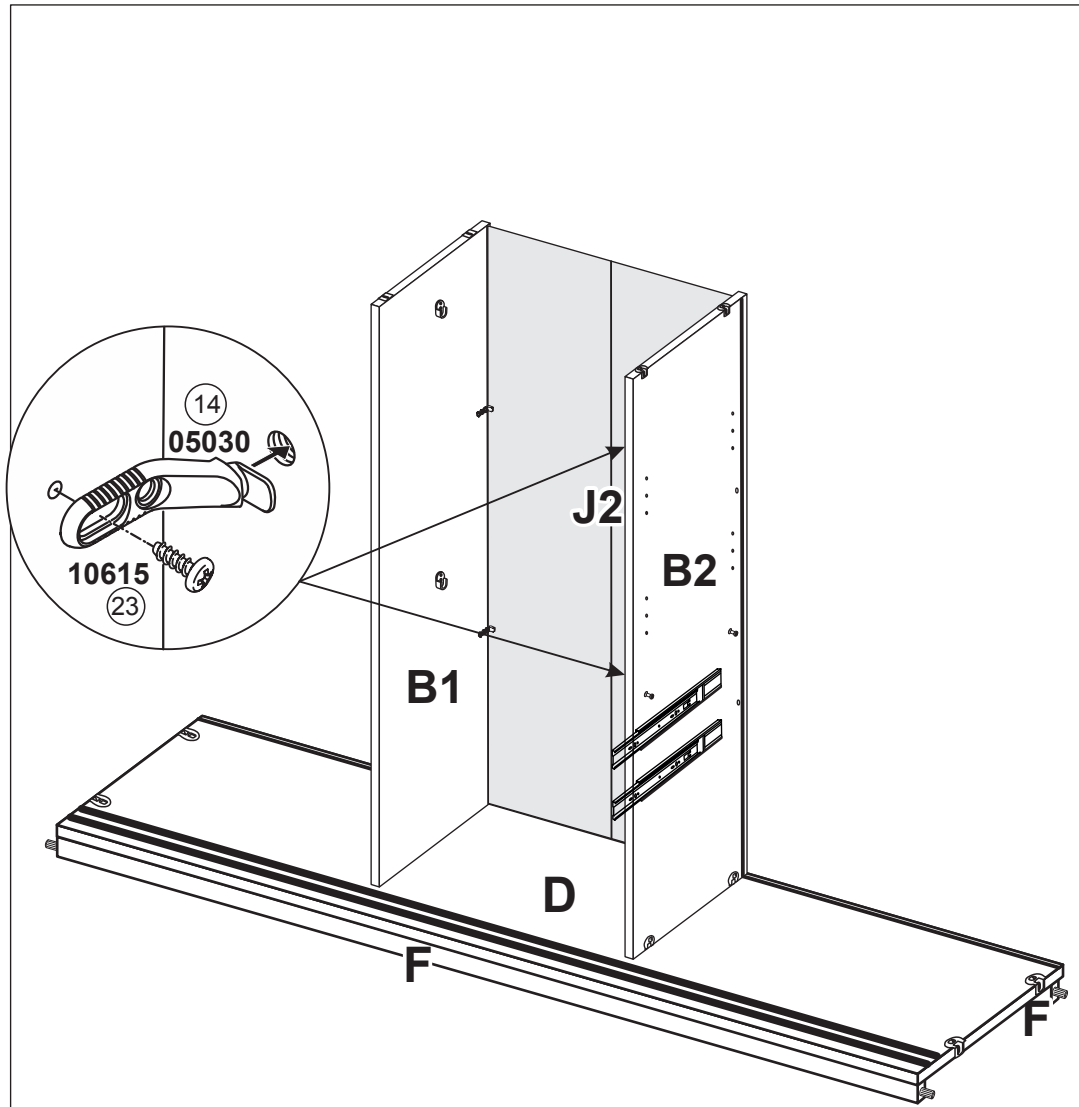
|   |   |   |   |
|---|---|---|---|
| <p>⑨</p>  <p>x2</p> <p>05014</p> | <p>⑳</p>  <p>Ø5x13</p> <p>x10</p> <p>10513</p> | <p>㉑</p>  <p>x1</p> <p>12402</p> | <p>②</p>  <p>x2</p> <p>10010</p> |
|---|---|---|---|



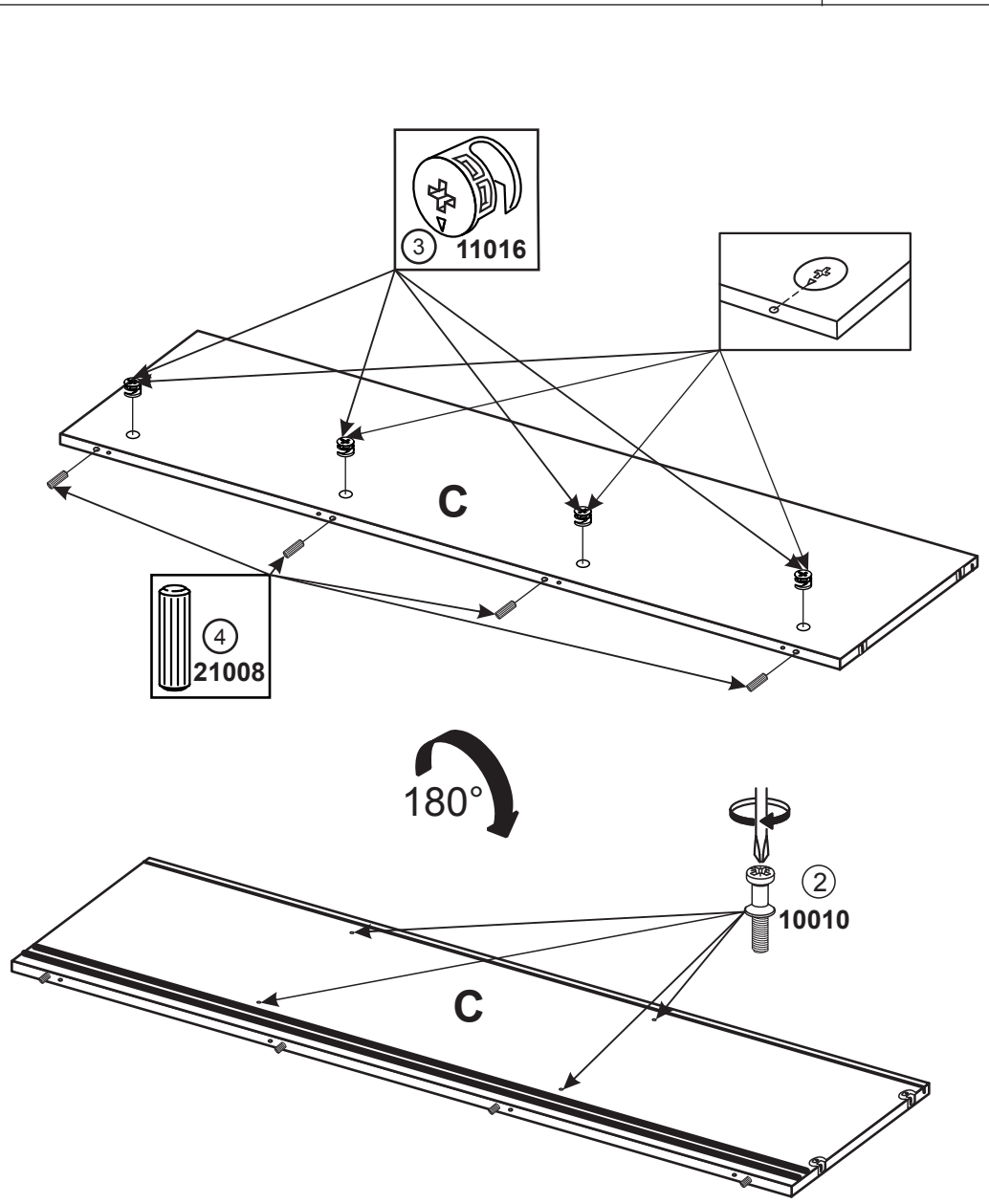
|   |       |       |   |  |       |
|---|-------|-------|---|--|-------|
| ④   | ∅8x30 | x10   | ②②  |  | x4    |
|  |       | 21008 |  |  | 14011 |
|   |       |       |  |  | 10010 |



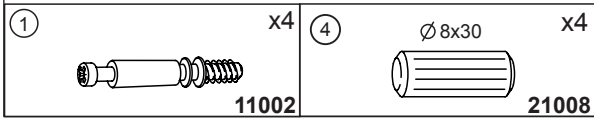
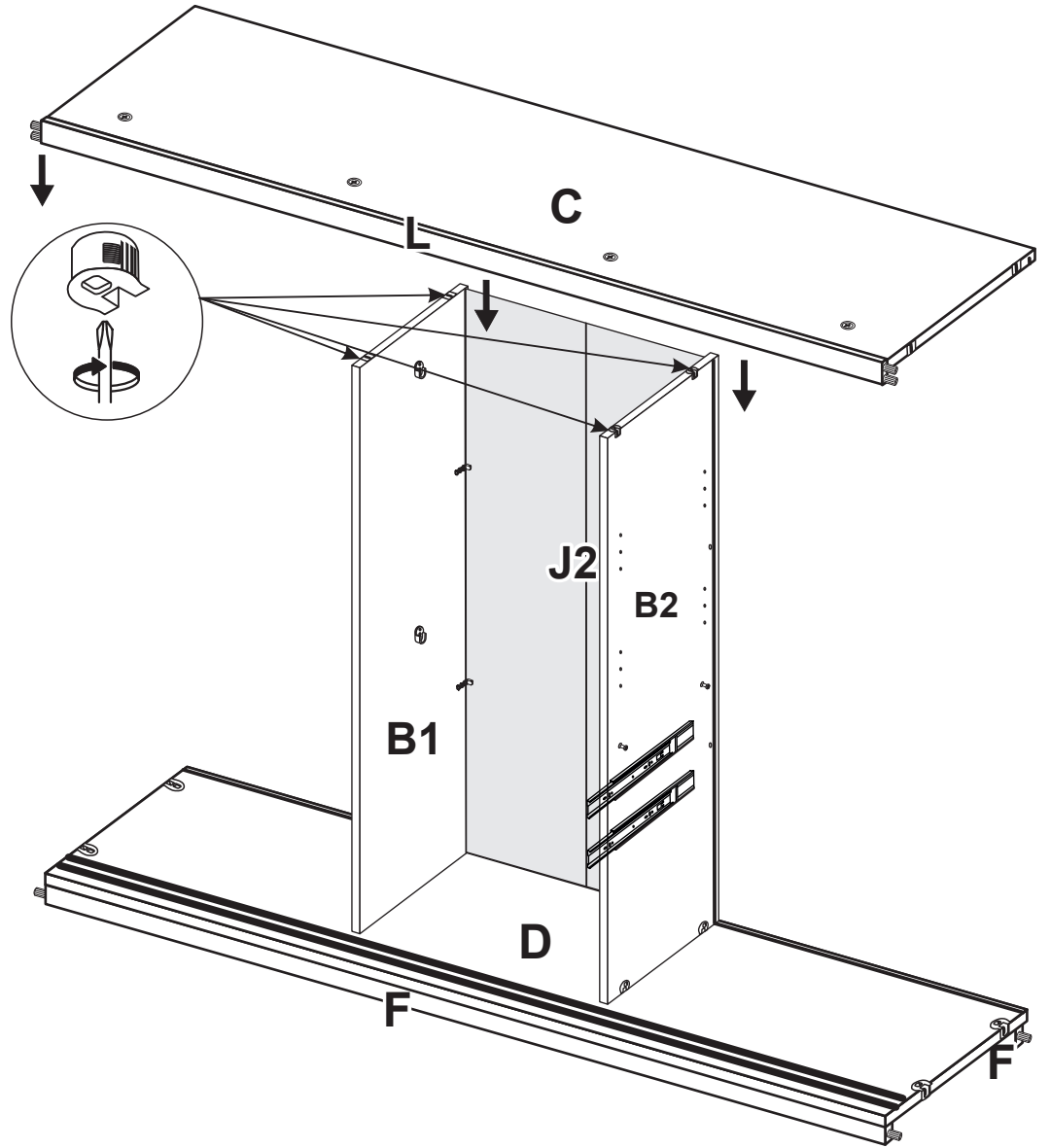
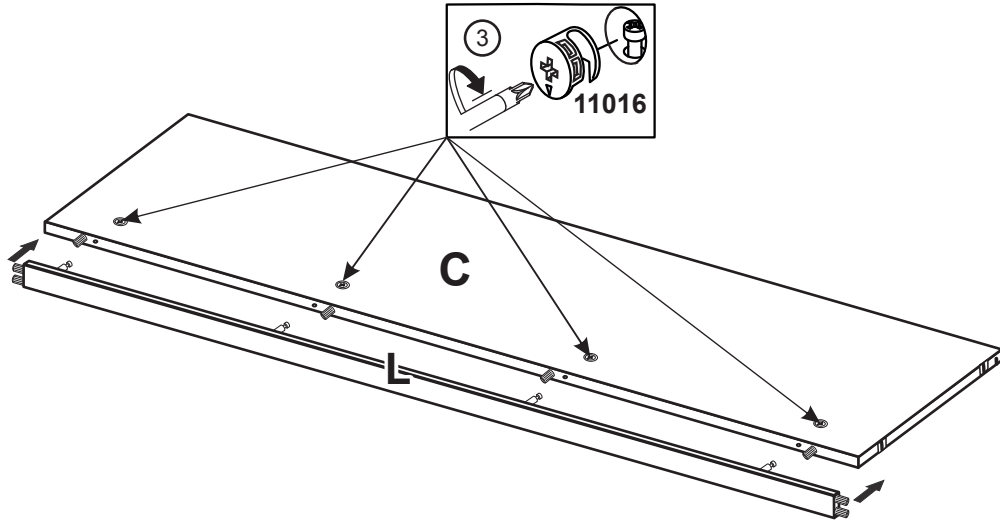
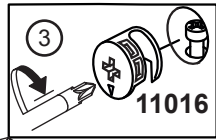
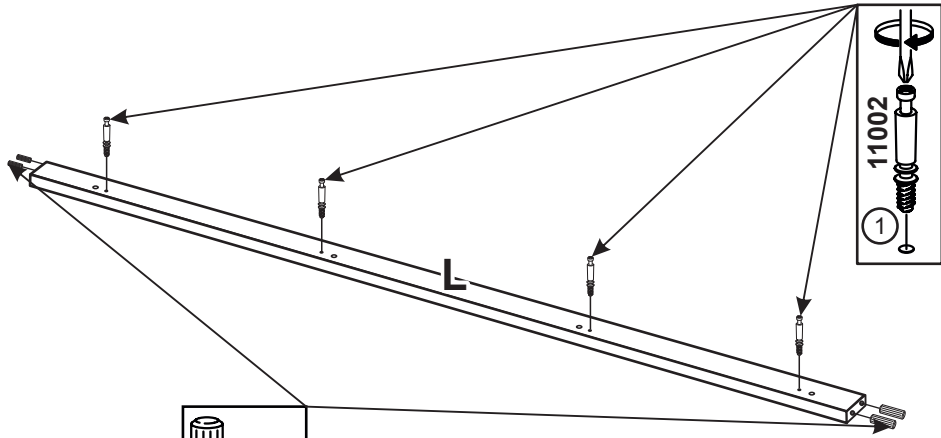


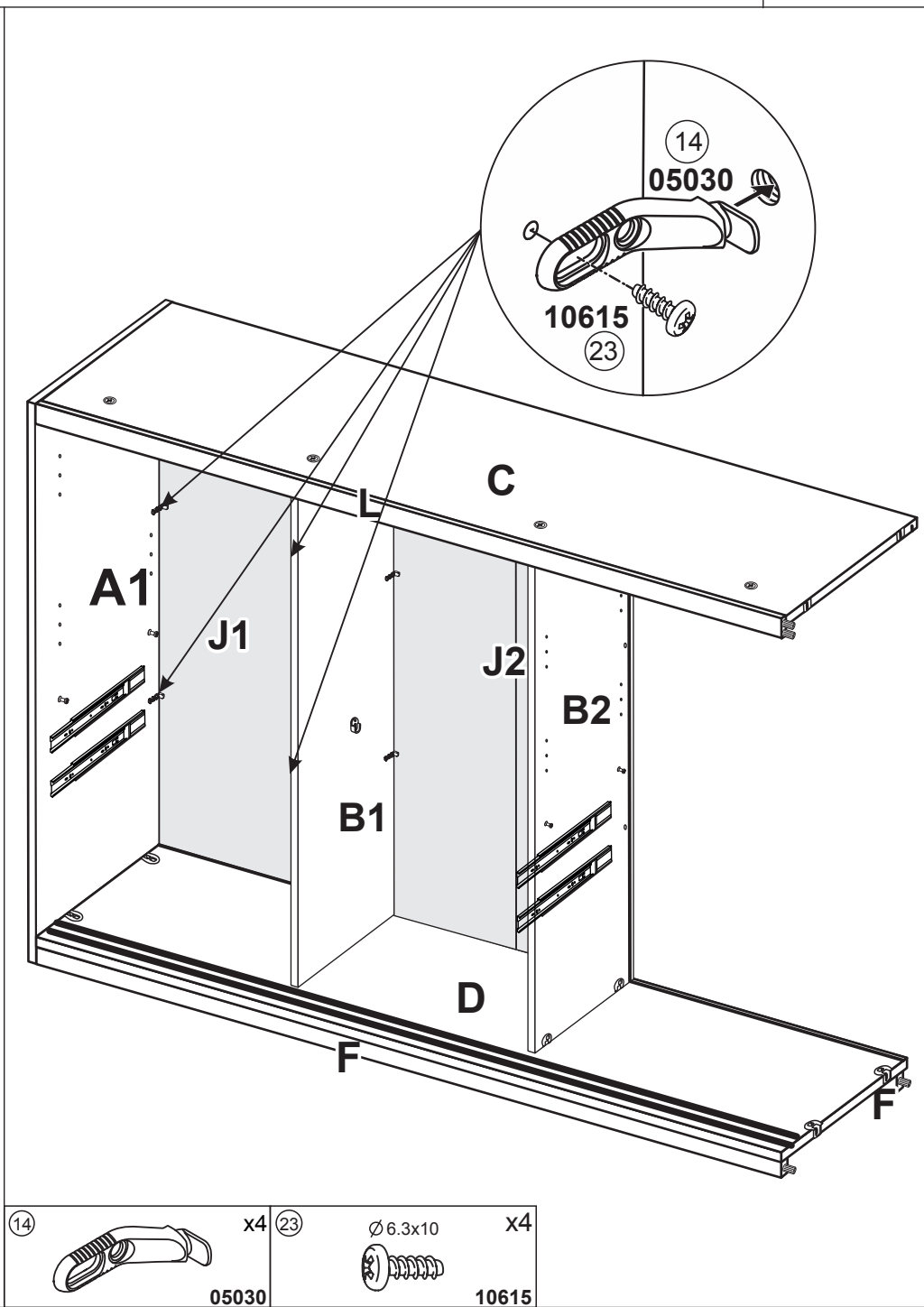
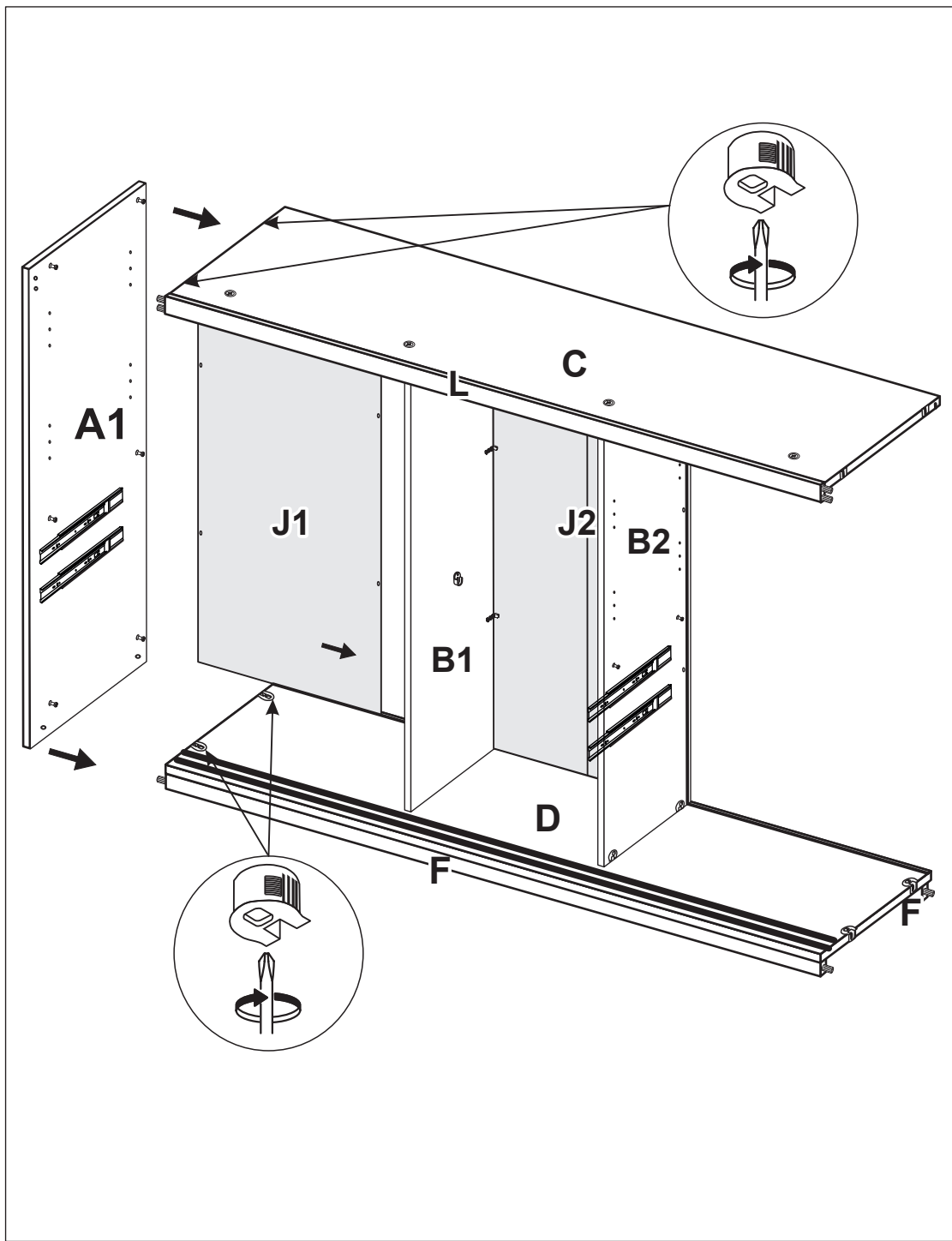


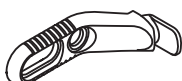

- |       |    |       |    |
|-------|----|-------|----|
| (14)  | x2 | (23)  | x2 |
|       |    |       |    |
| 05030 |    | 10615 |    |

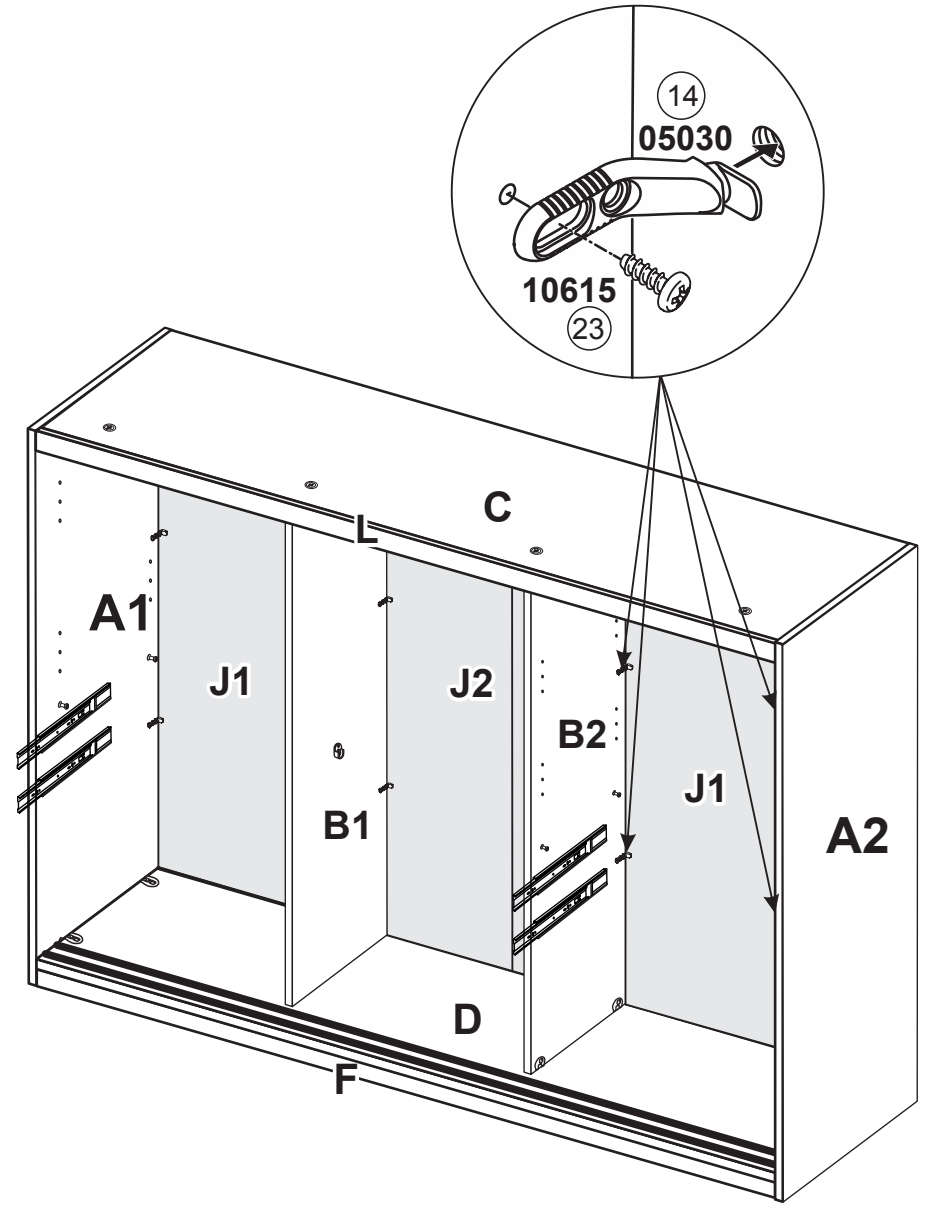
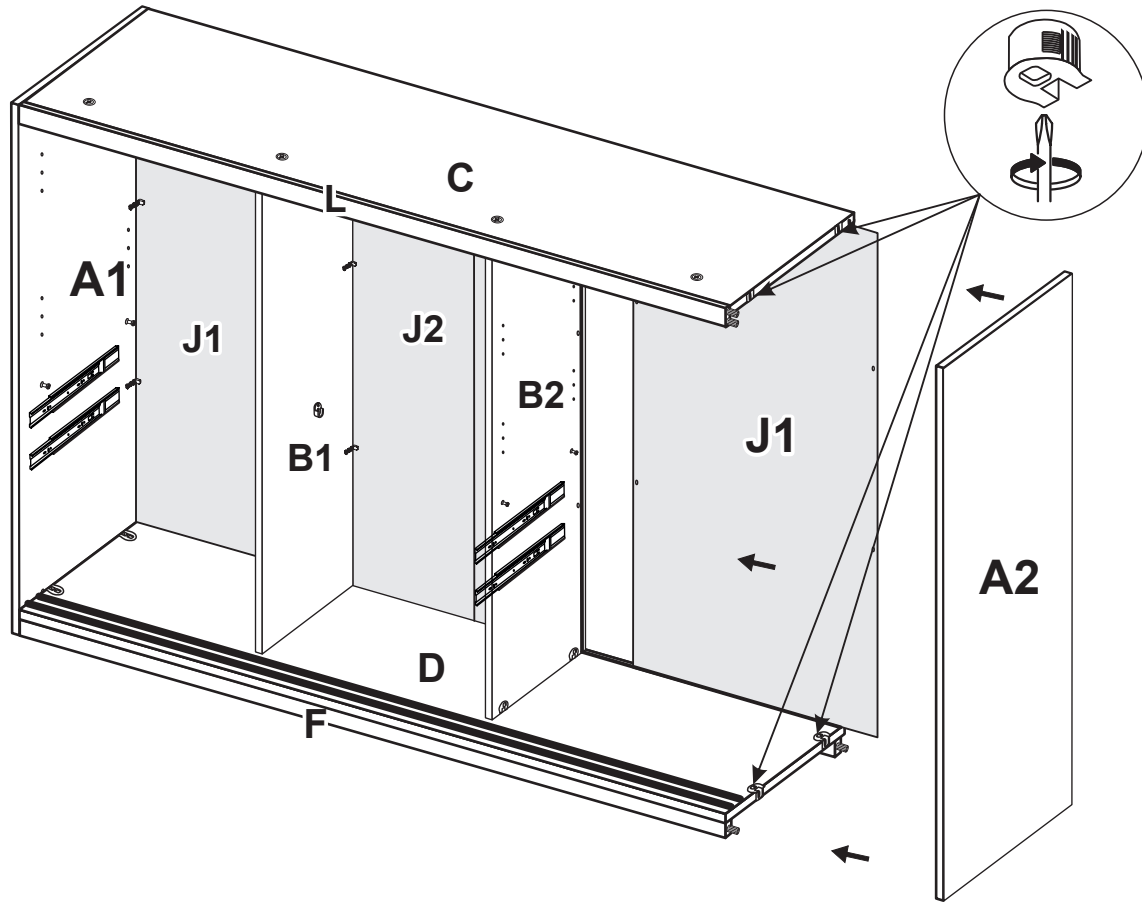


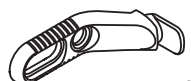

- |       |    |       |    |
|-------|----|-------|----|
| (3)   | x4 | (2)   | x4 |
|       |    |       |    |
| 11016 |    | 10010 |    |

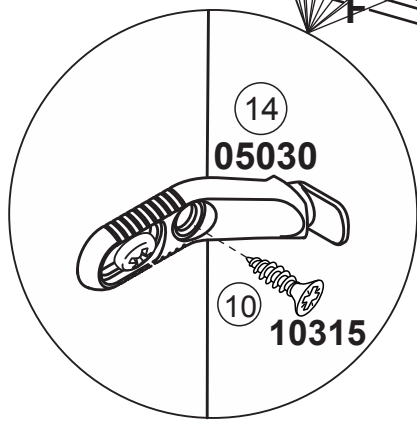
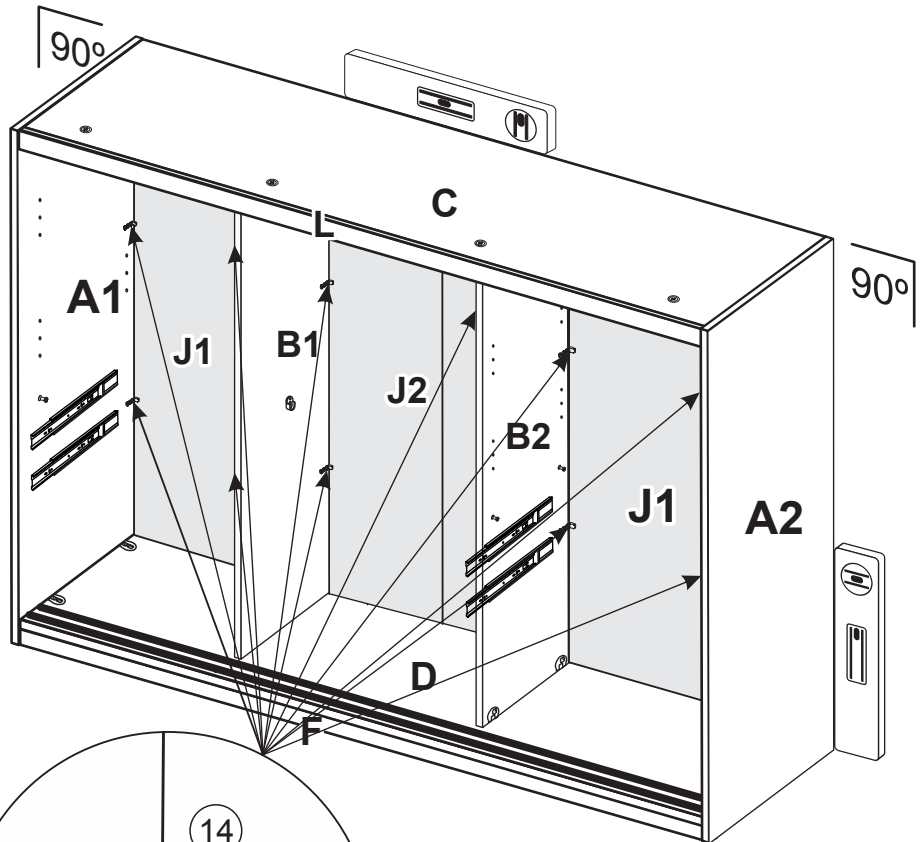




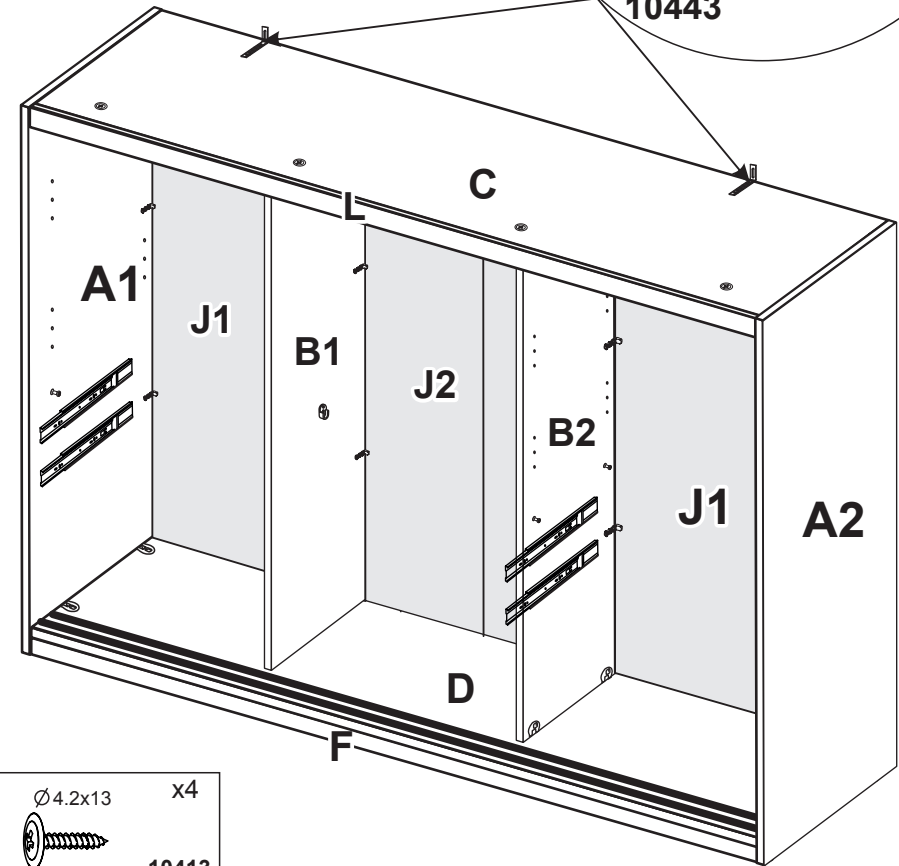
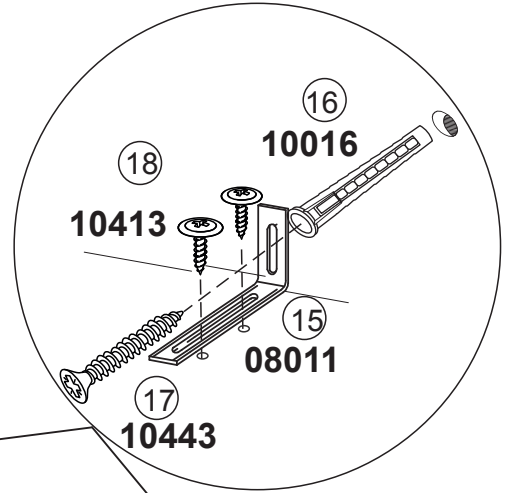
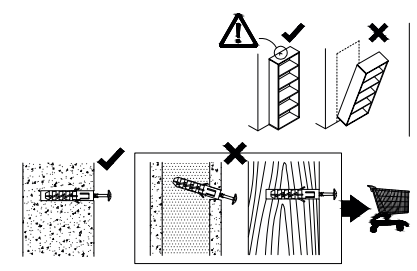
|      |   |    |      |   |    |
|------|---|----|------|---|----|
| (14) |  | x4 | (23) |  | x4 |
|      | 05030   |    |      | 10615   |    |



|      |   |    |      |   |    |
|------|---|----|------|---|----|
| (14) |  | x4 | (23) |  | x4 |
|      | 05030   |    |      | 10615   |    |



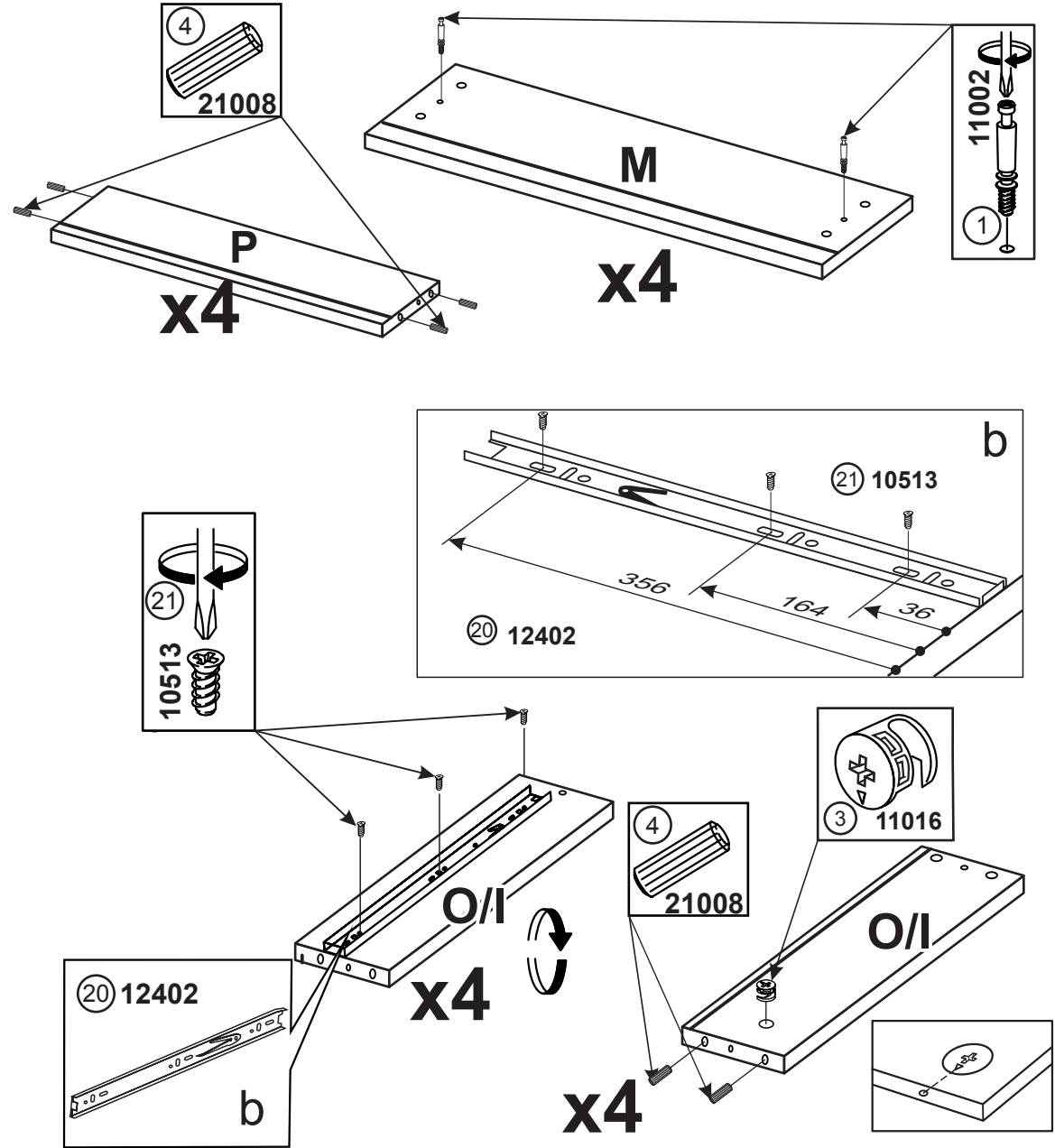
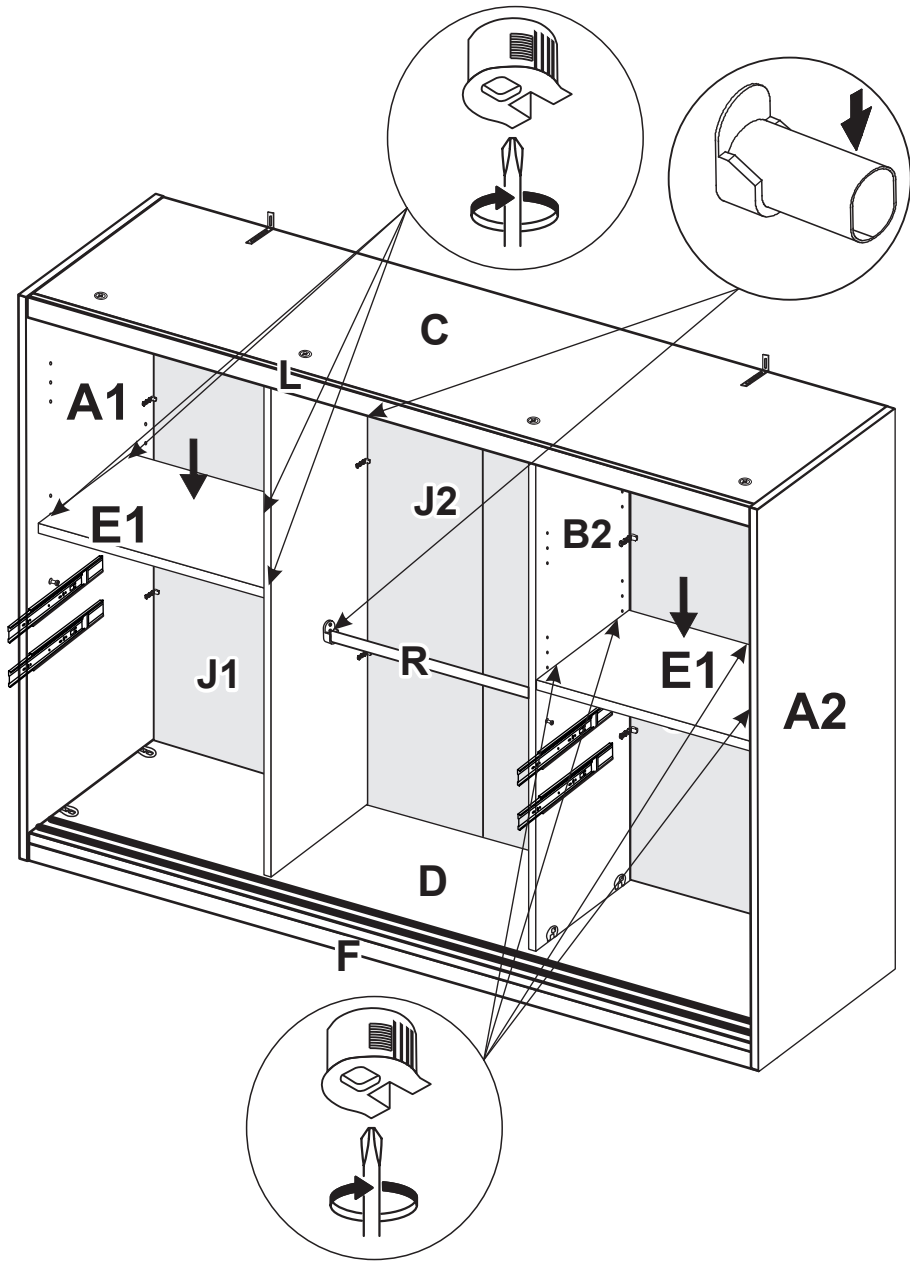
|       |          |     |
|-------|----------|-----|
| 10    | Ø 3.5x15 | x12 |
|       |          |     |
| 10315 |          |     |



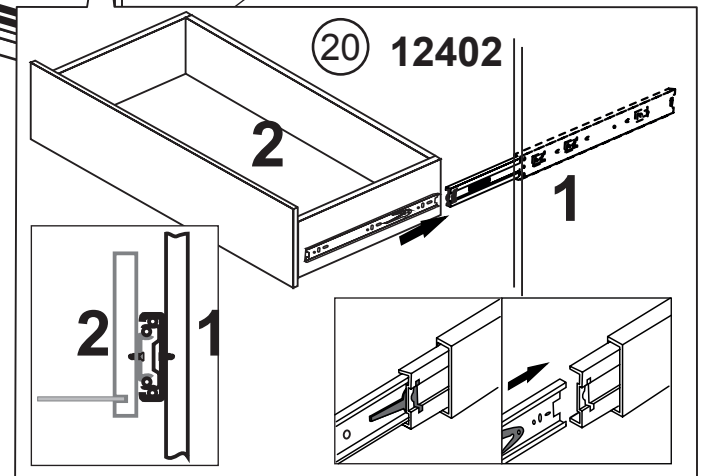
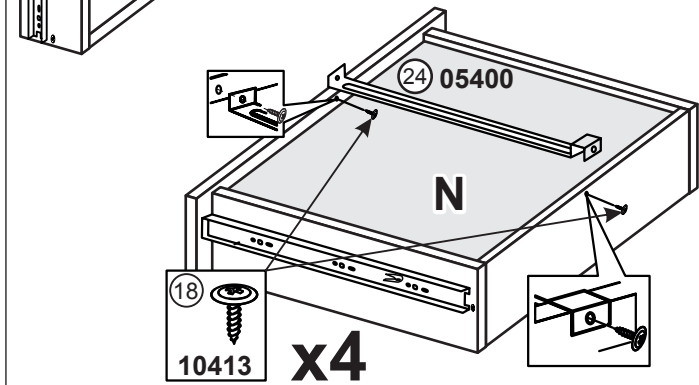
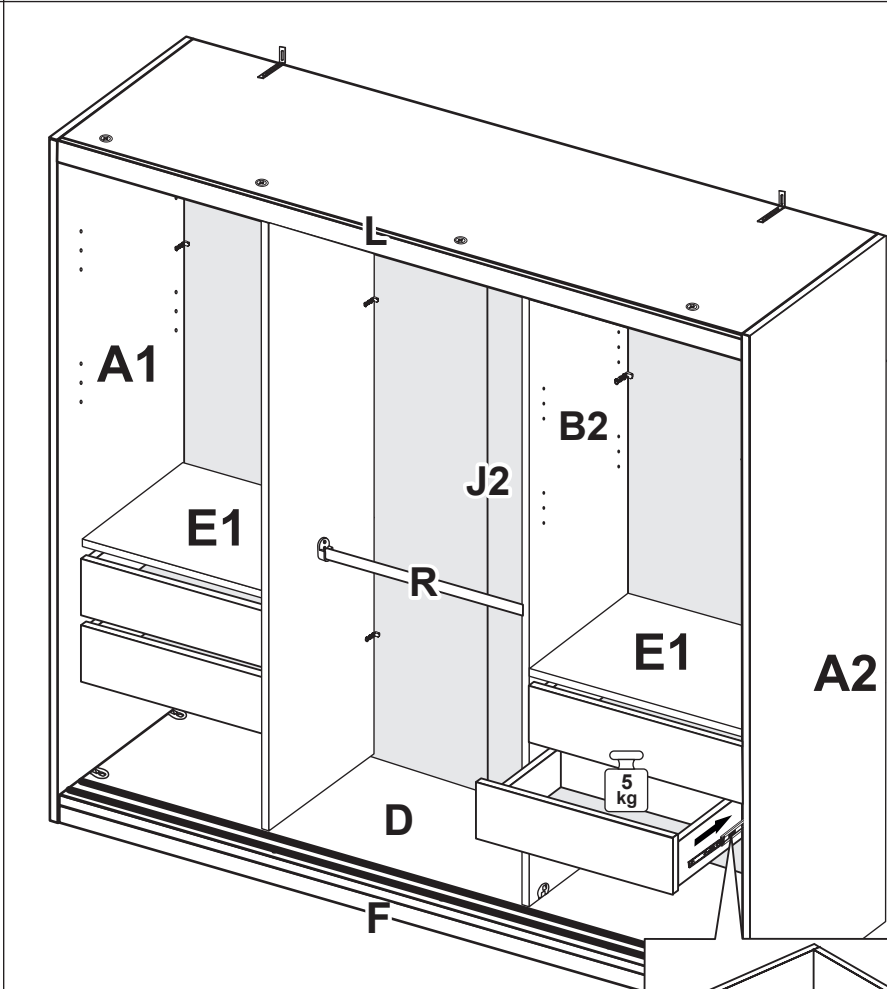
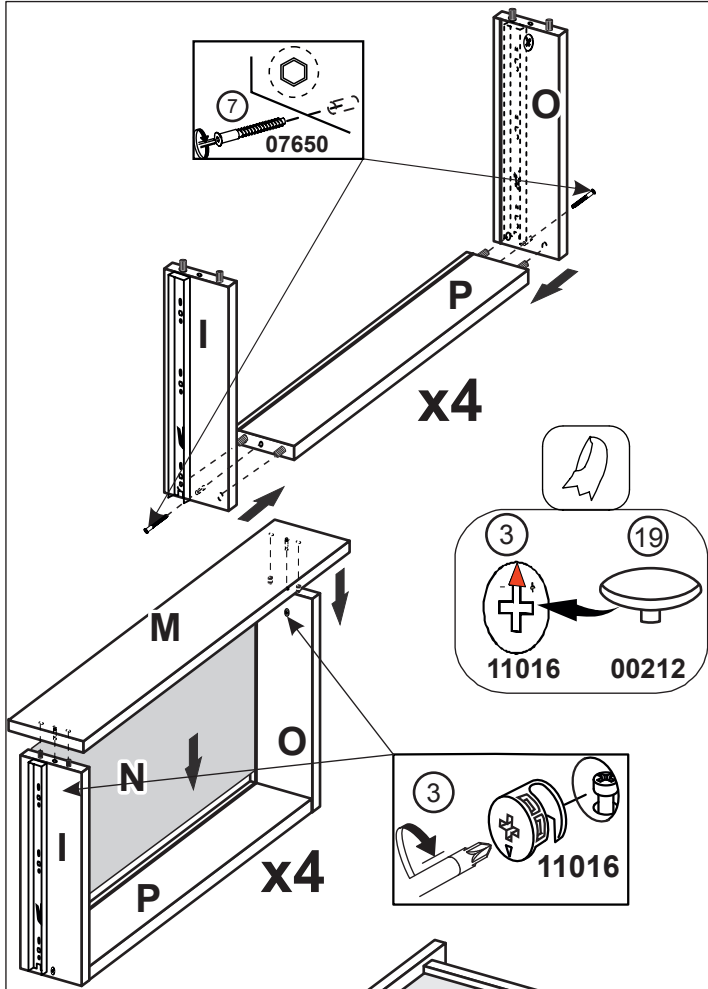
|       |          |    |
|-------|----------|----|
| 18    | Ø 4.2x13 | x4 |
|       |          |    |
| 10413 |          |    |
| 15    |          | x2 |
|       |          |    |
| 08011 |          |    |

|       |        |    |
|-------|--------|----|
| 16    | Ø 8x50 | x2 |
|       |        |    |
| 10016 |        |    |

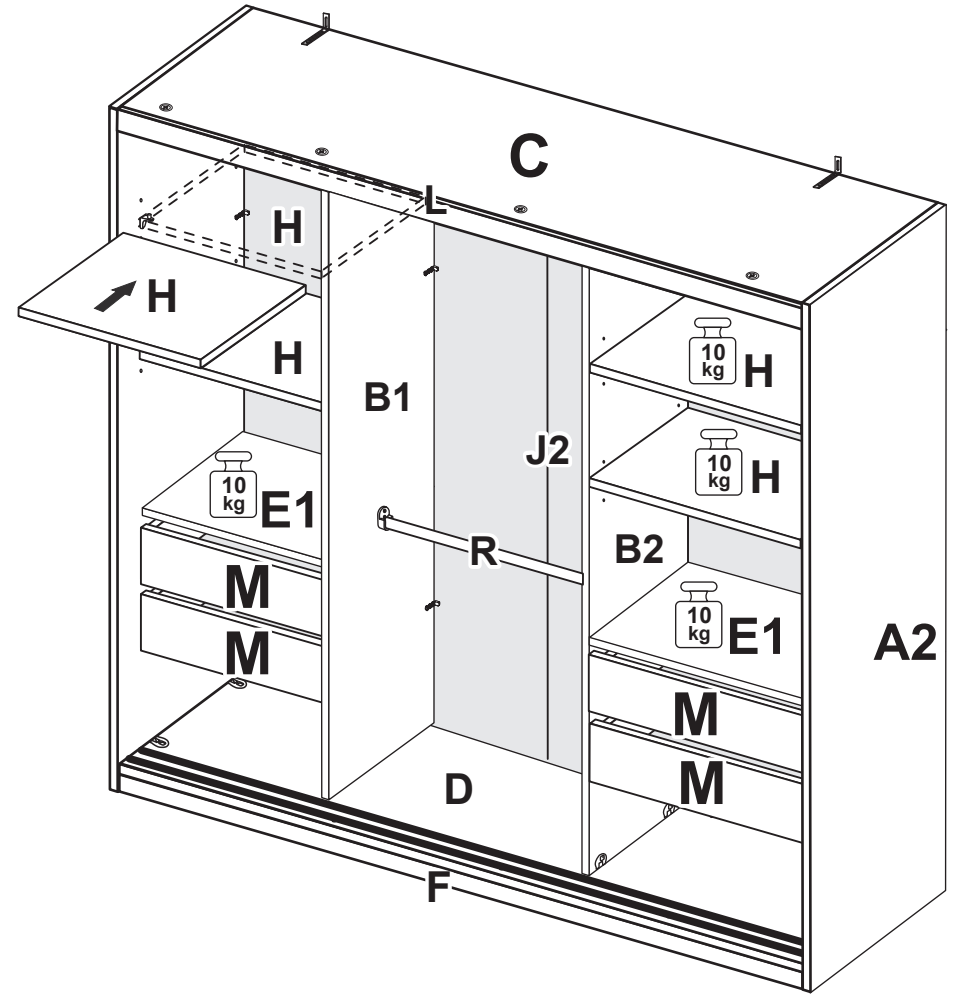
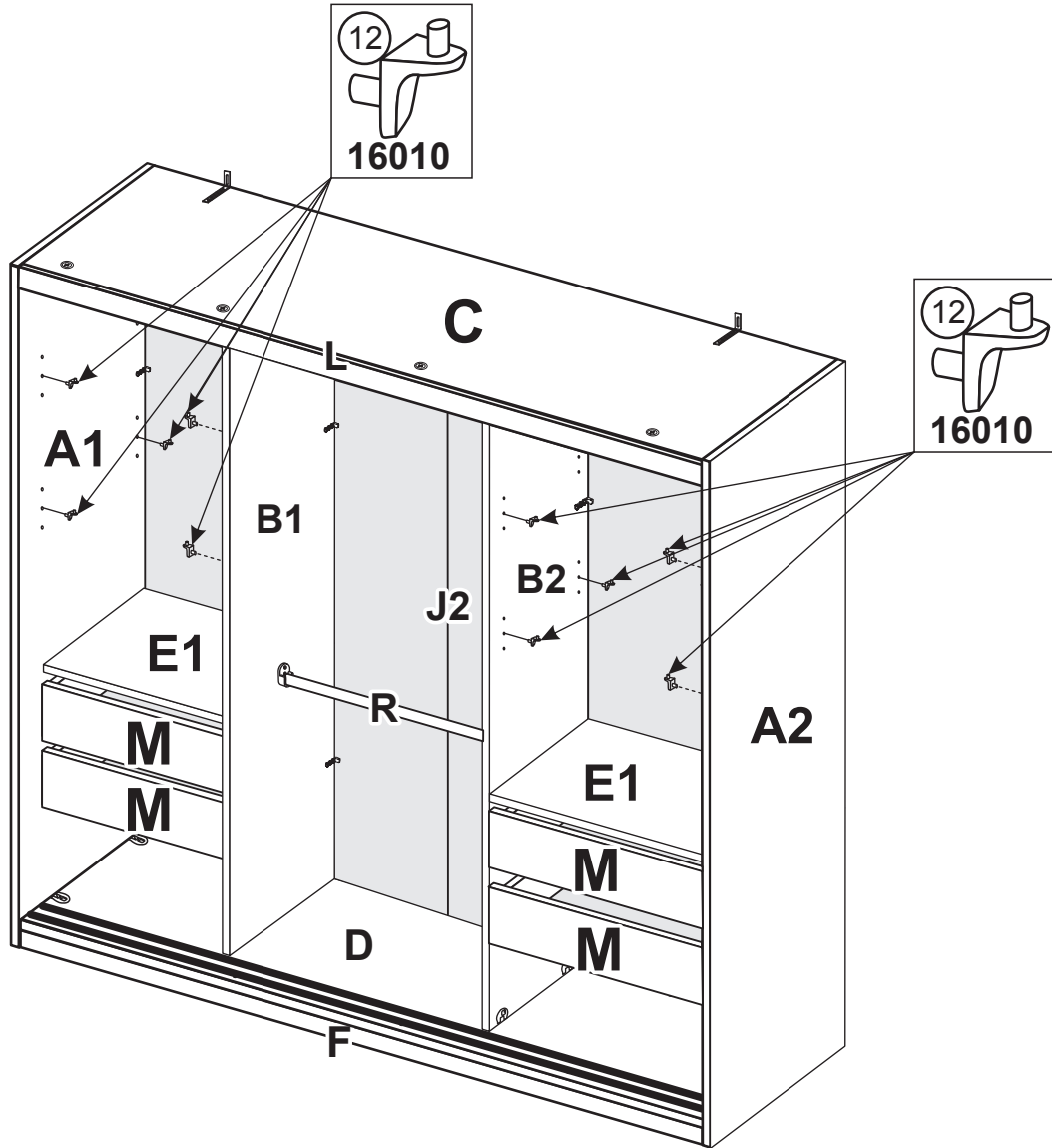
|       |        |    |
|-------|--------|----|
| 17    | Ø 5x60 | x2 |
|       |        |    |
| 10443 |        |    |

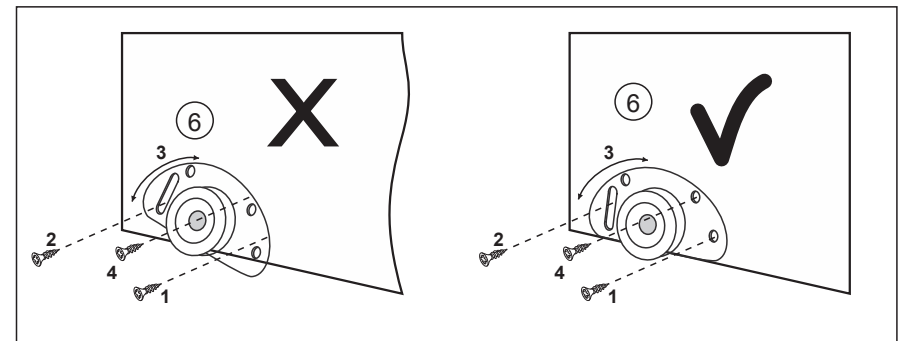
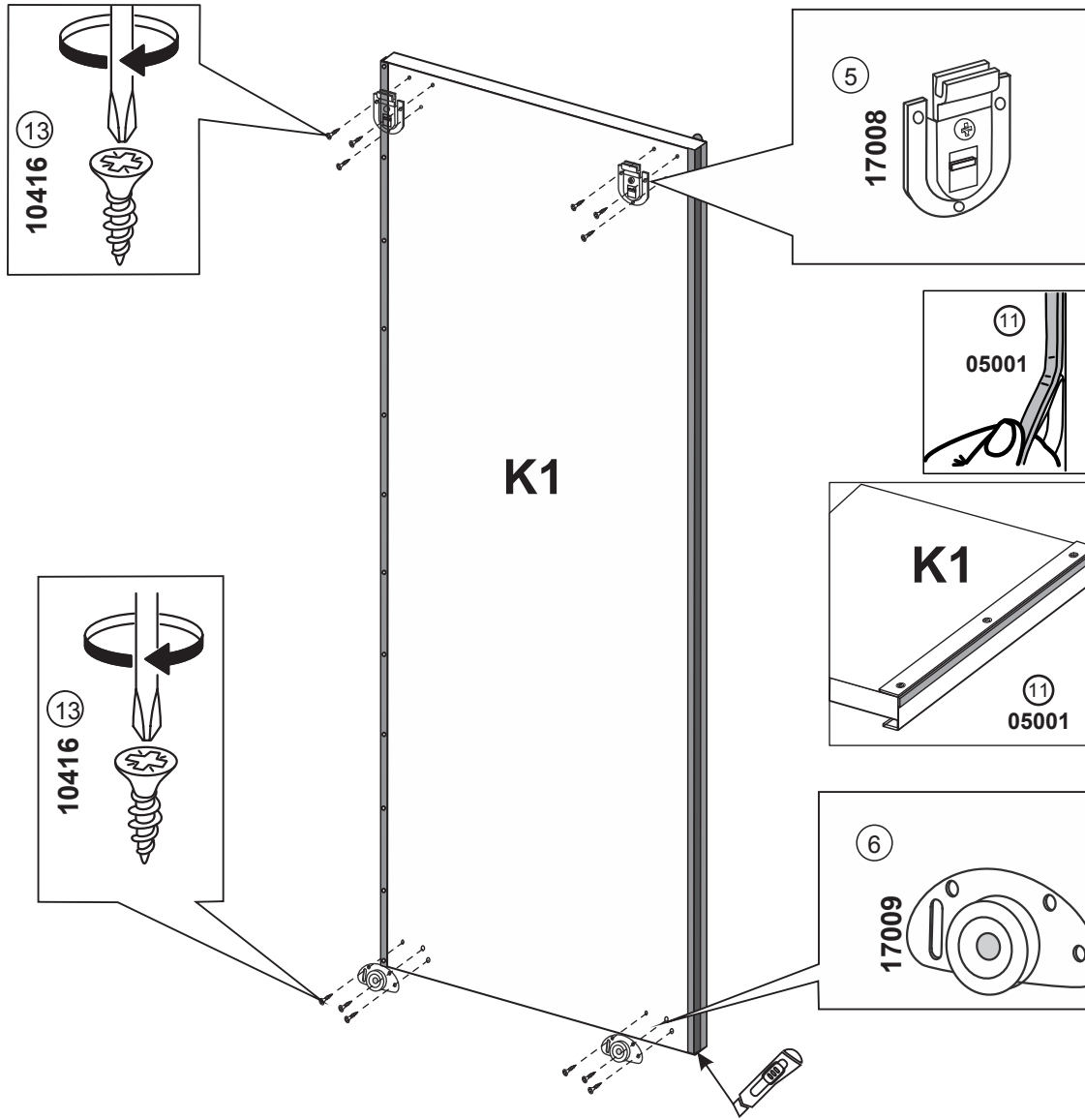






|   |       |       |   |  |       |   |  |       |    |       |       |
|---|-------|-------|---|--|-------|---|--|-------|----|-------|-------|
| ④ | ∅8x30 | x32   | ① |  | x8    | ③ |  | x8    | ②① | ∅5x13 | x24   |
|   |       | 21008 |   |  | 11002 |   |  | 11016 |    |       | 10513 |

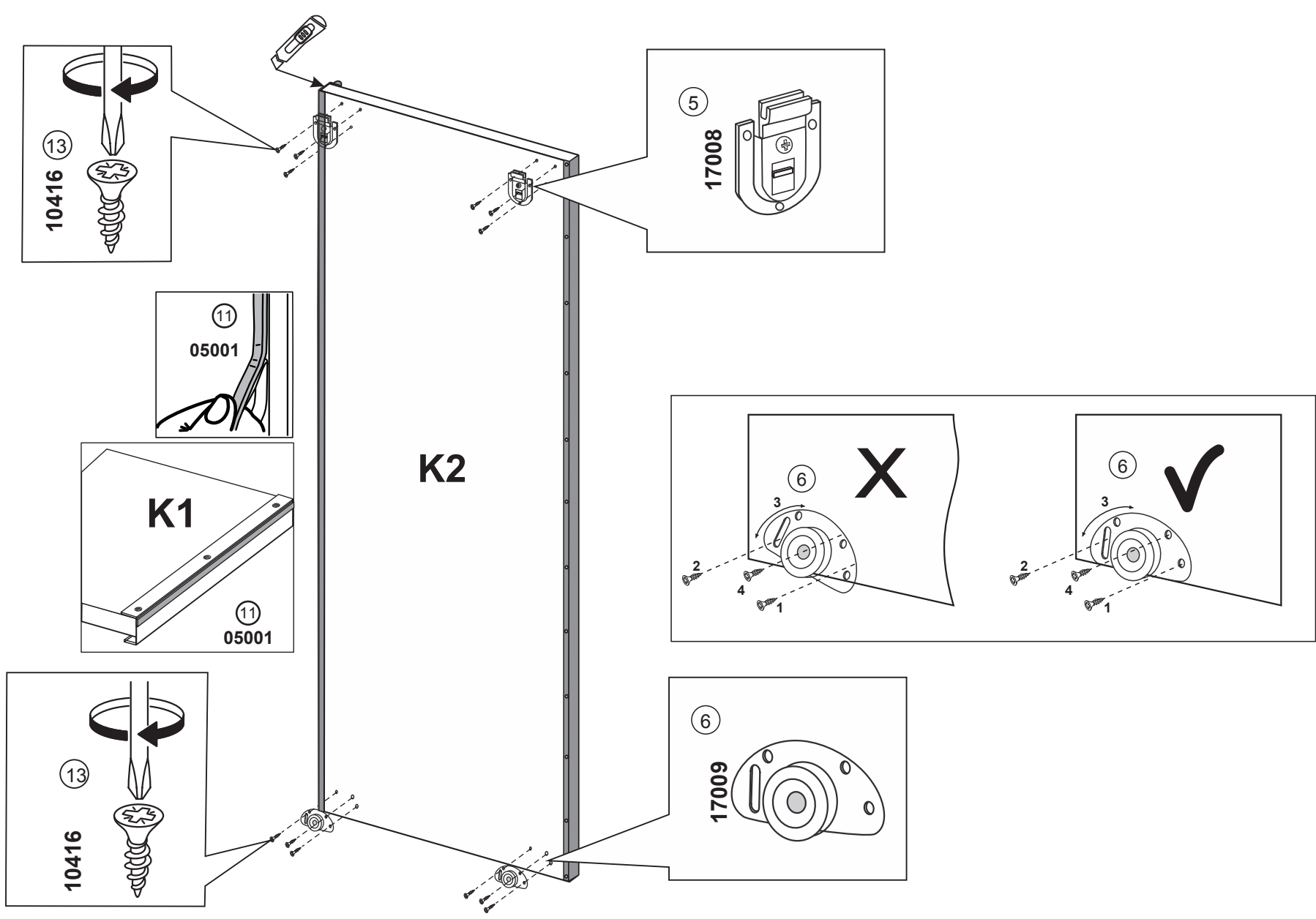


- |      |         |    |       |  |    |       |  |    |       |         |    |
|------|---------|----|-------|--|----|-------|--|----|-------|---------|----|
| (18) | Ø4.2x13 | x8 | (24)  |  | x4 | (19)  |  | x8 | (7)   | Ø6.4x50 | x8 |
|      | 10413   |    | 05400 |  |    | 00212 |  |    | 07650 |         |    |

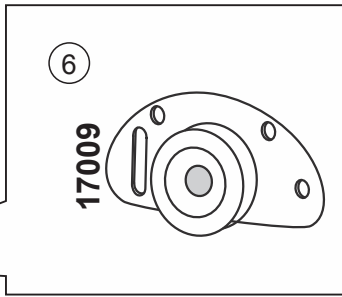
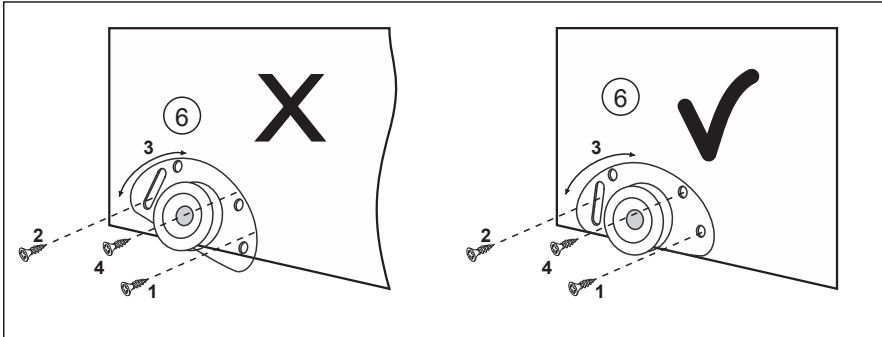
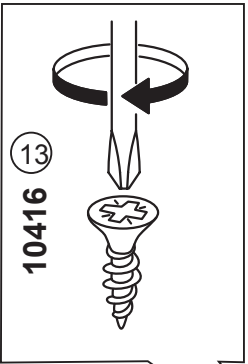
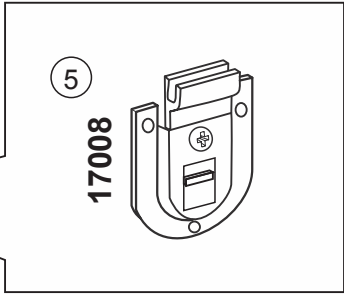
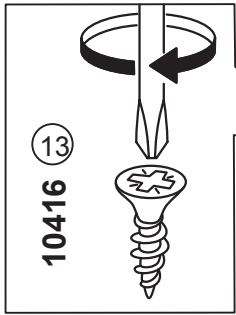





|  |   |   |   |
|--|---|---|---|
| <p>13    Ø4x16    x12</p>  <p>10416</p> | <p>5    x2</p>  <p>17008</p> | <p>6    x2</p>  <p>17009</p> | <p>11    x1</p>  <p>05001</p> |
|--|---|---|---|



|       |       |     |       |  |    |       |  |    |       |  |    |
|-------|-------|-----|-------|--|----|-------|--|----|-------|--|----|
| 13    | Ø4x16 | x12 | 5     |  | x2 | 6     |  | x2 | 11    |  | x1 |
|       |       |     |       |  |    |       |  |    |       |  |    |
| 10416 |       |     | 17008 |  |    | 17009 |  |    | 05001 |  |    |



K3

|   |       |   |       |   |       |    |
|---|-------|---|-------|---|-------|----|
| 13  | Ø4x16 | x12   | 5     | x2  | 6     | x2 |
|  | 10416 |  | 17008 |  | 17009 |    |

