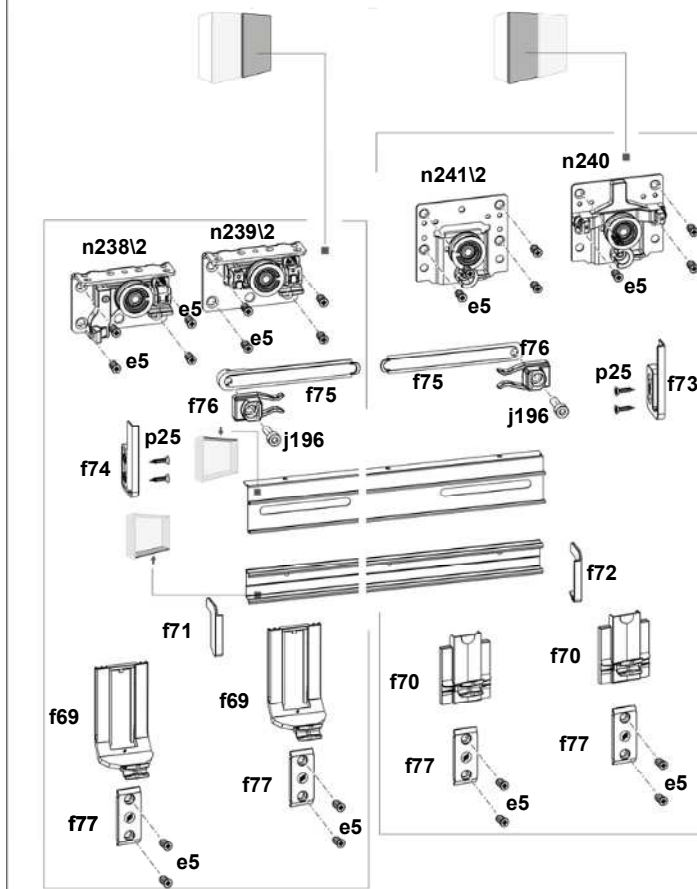
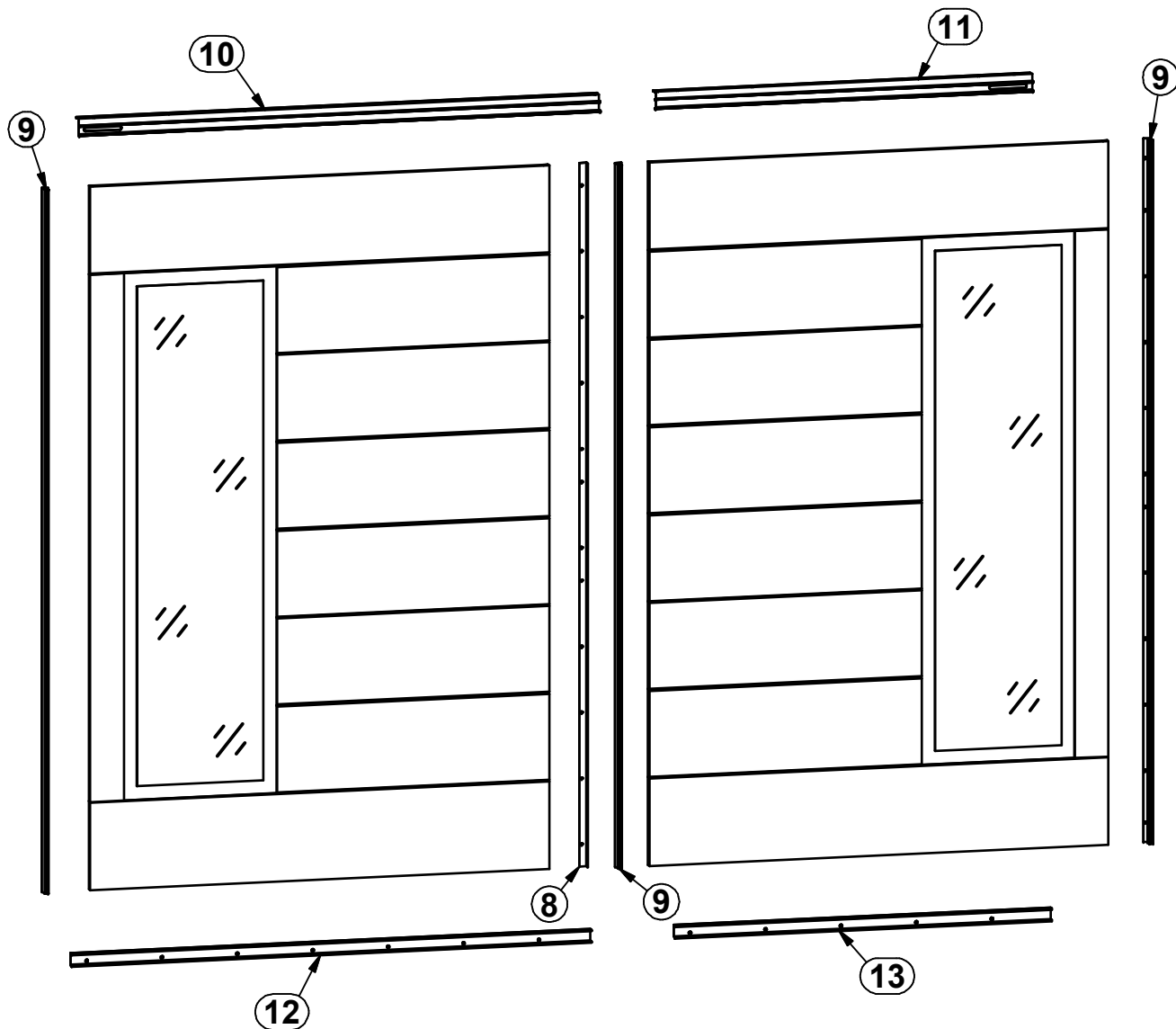
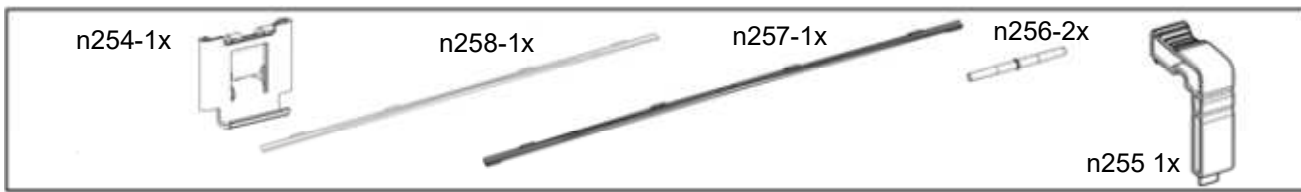


A	B	C1	C2	C3	D
1	L127-7001	1364	257	15	8
2	L127-7002	1364	257	15	7
3	L127-7003	809	256	15	7,8
4	L127-7004	1536	100	15	6
5	L127-7005	1536	455	16	6
6	L127-7006	1364	257	15	7
7	L127-7007	1364	257	15	8
8	w136\9	2050	20		5
9	w136\5	2050	37		5
10	w269\1L	1547	51		5
11	w269\2P	1121	51		5
12	w270\1L	1545	32		5
13	w270\2P	1119	32		5

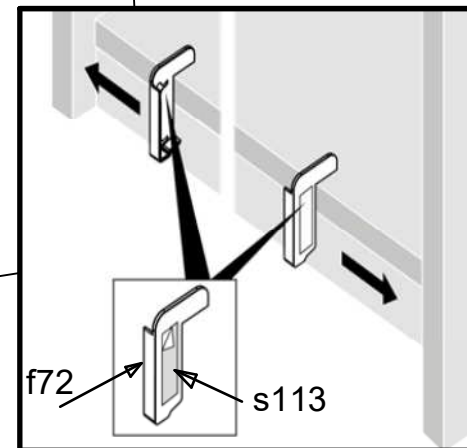
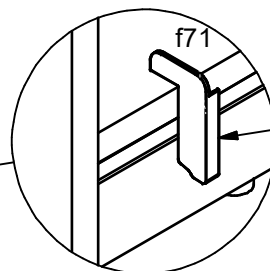
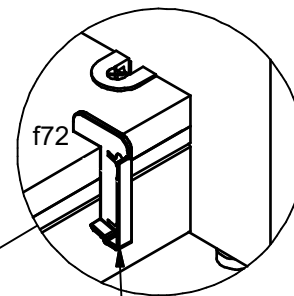
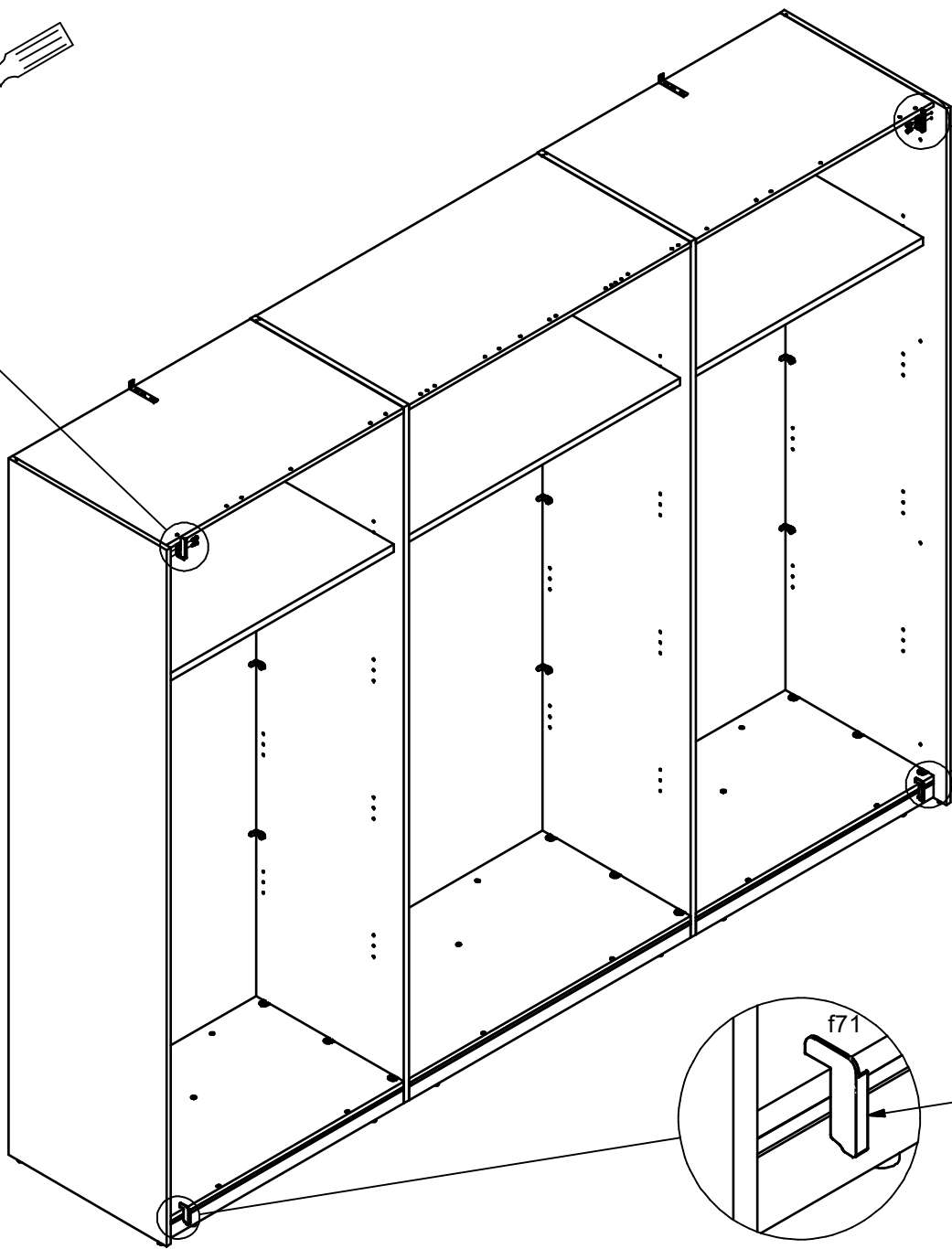
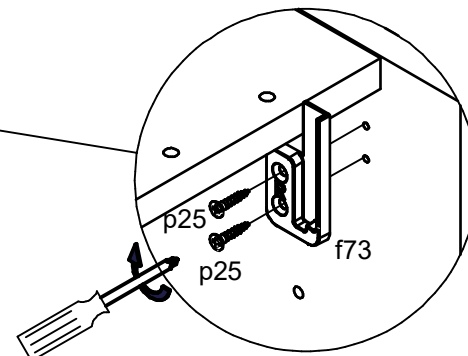
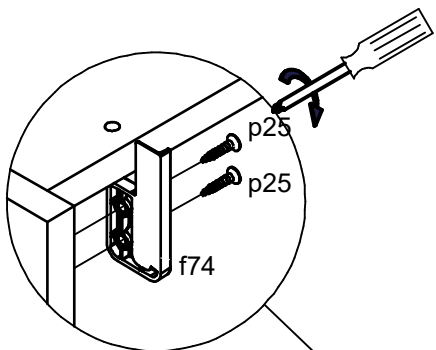




22x M4x5 mm j84	11x j140	336x Ø3.5x12mm p140	2x s113
1x 5 mm z17	3x w180\1	24x Ø6.3x13 mm e5	3x sp-2050
4x Ø3.5x16 mm p25	12x Ø3.5x15 mm p51	6x n218	
36x n180			



1



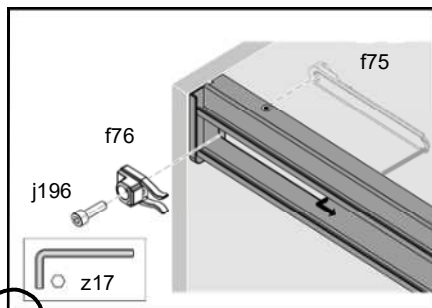
A

L127-SZF2D_270

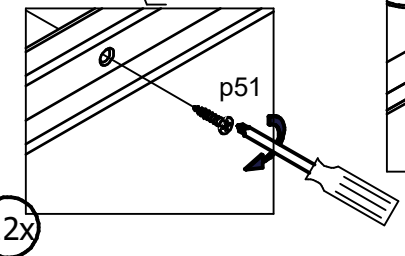
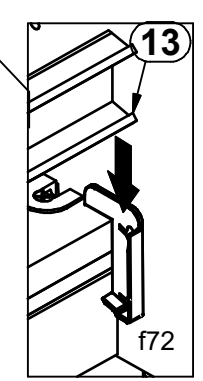
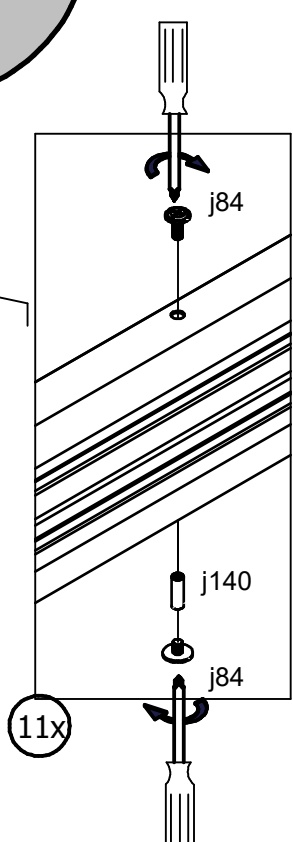
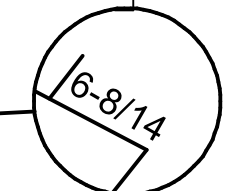
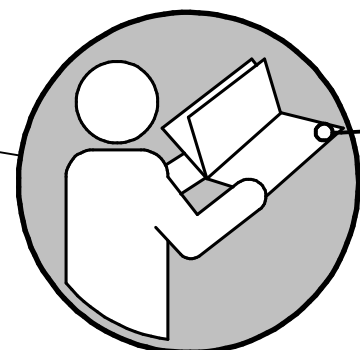
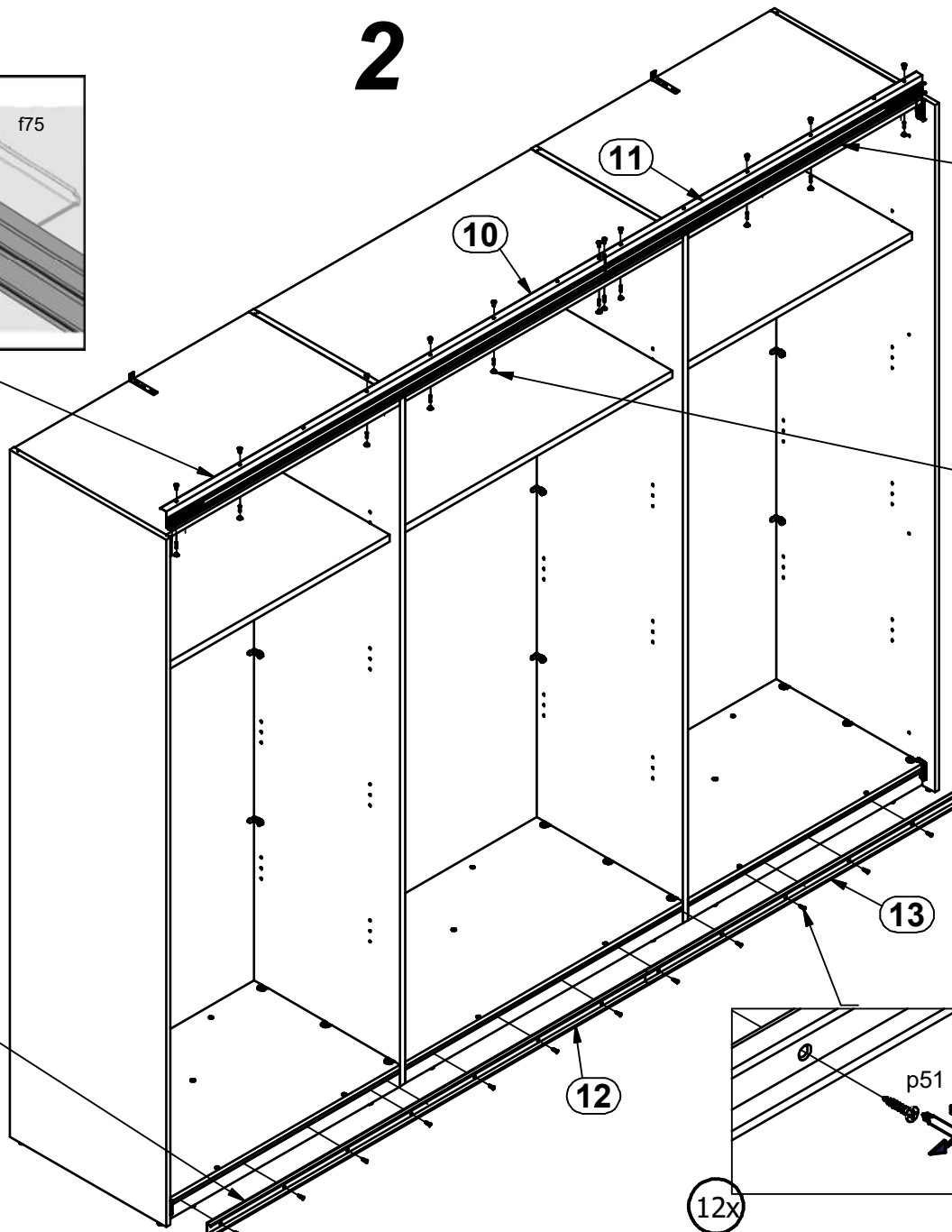
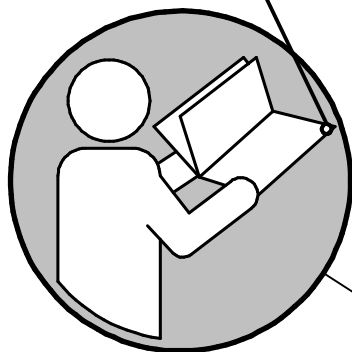
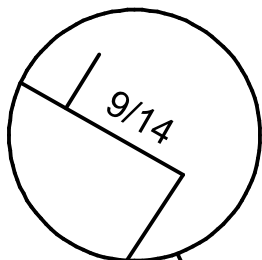
58-950

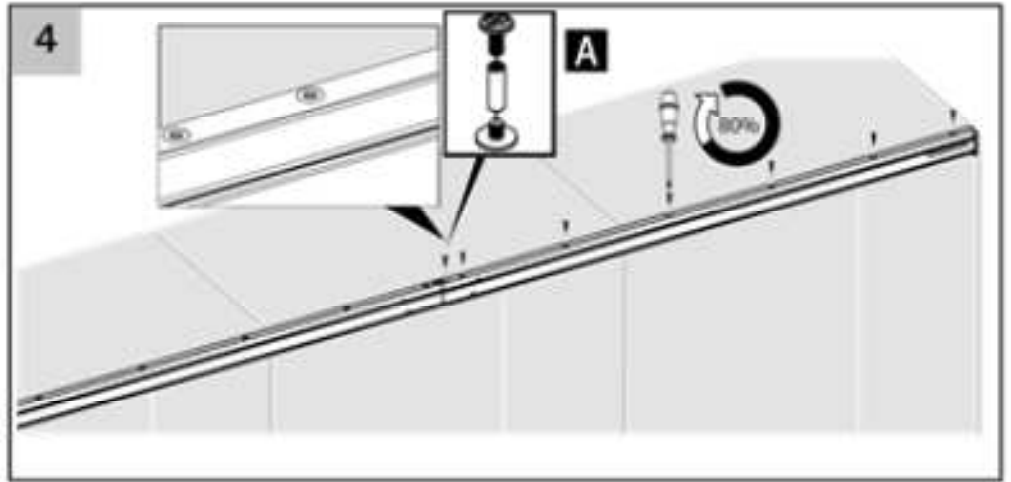
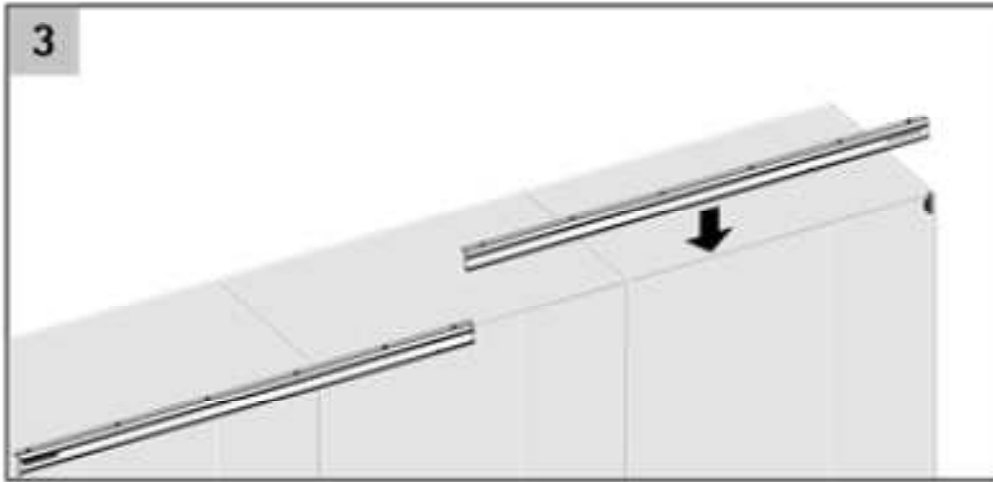
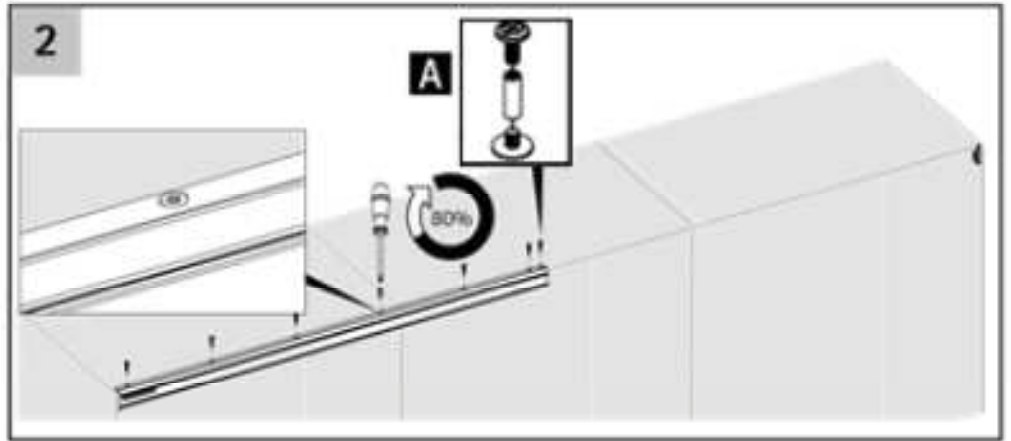
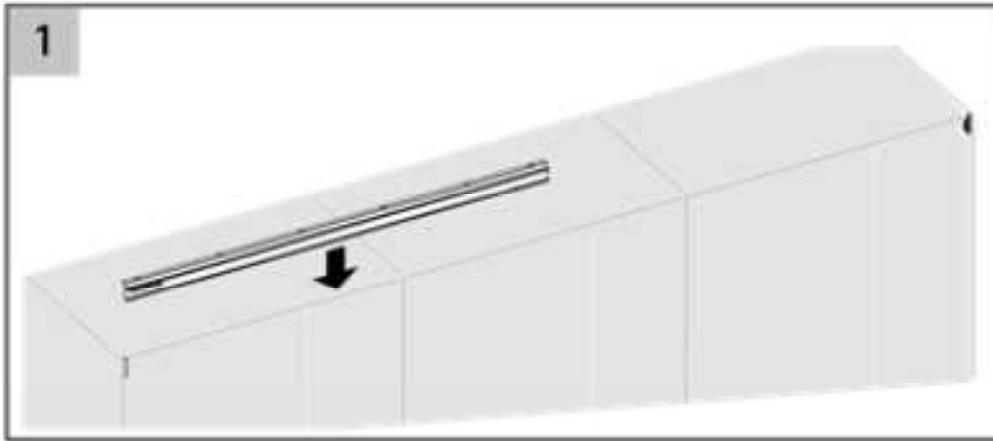
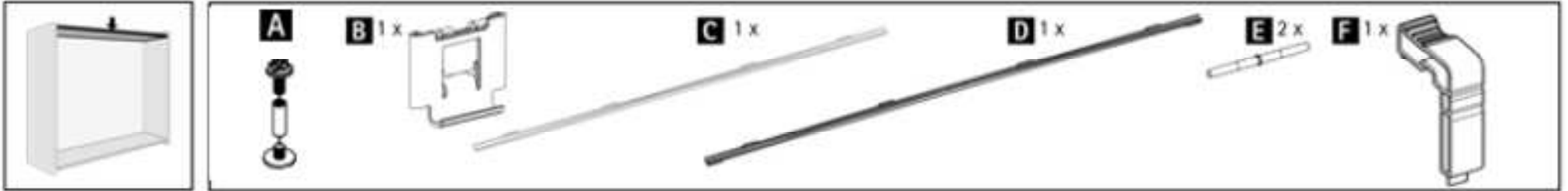
5 / 14

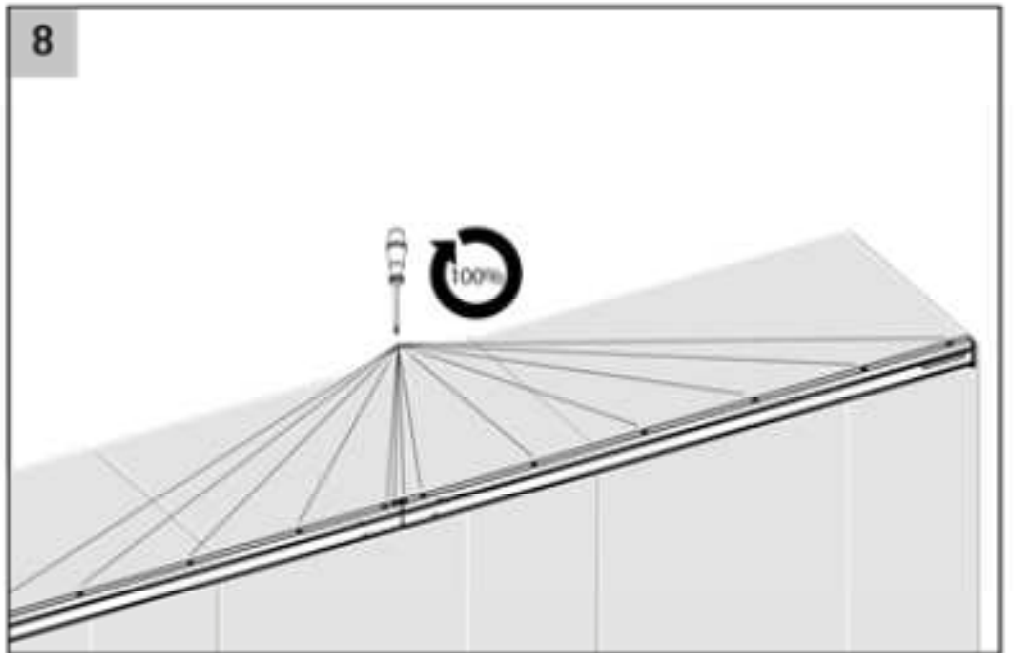
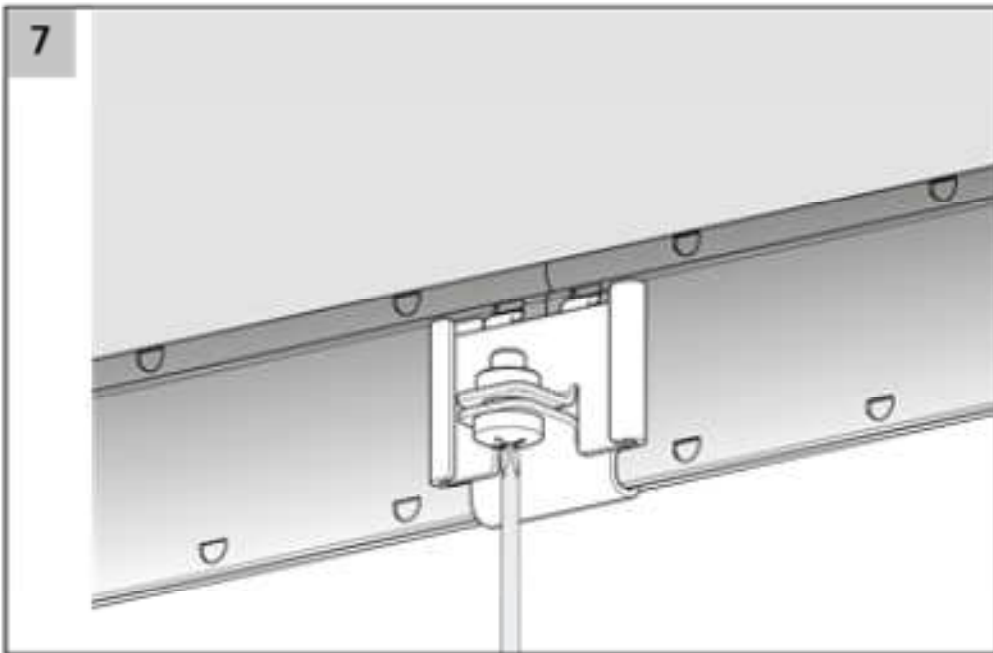
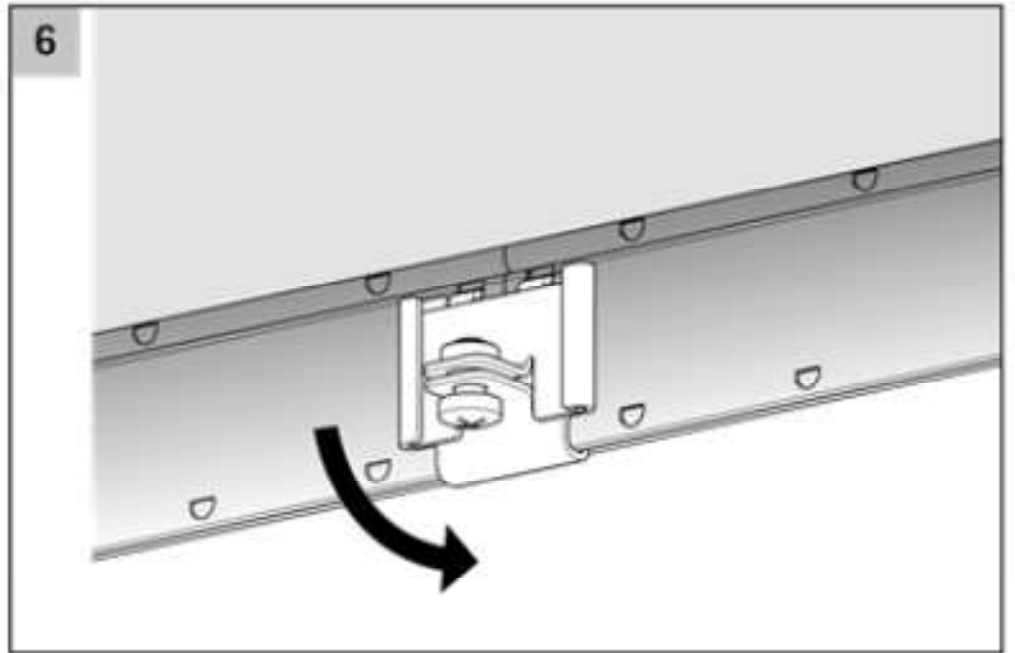
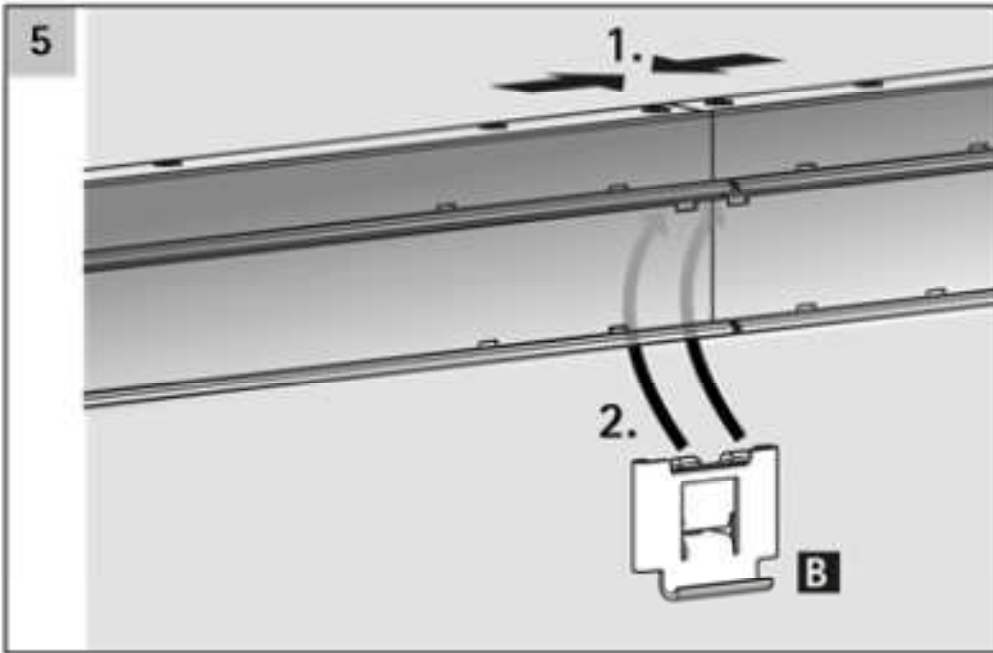
2

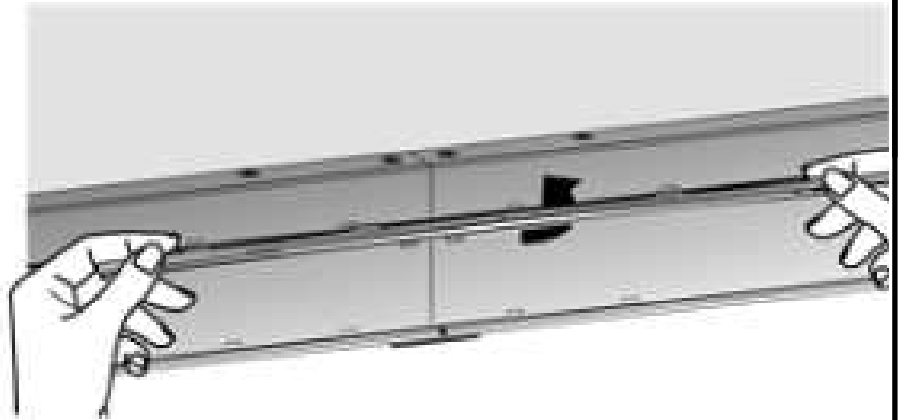
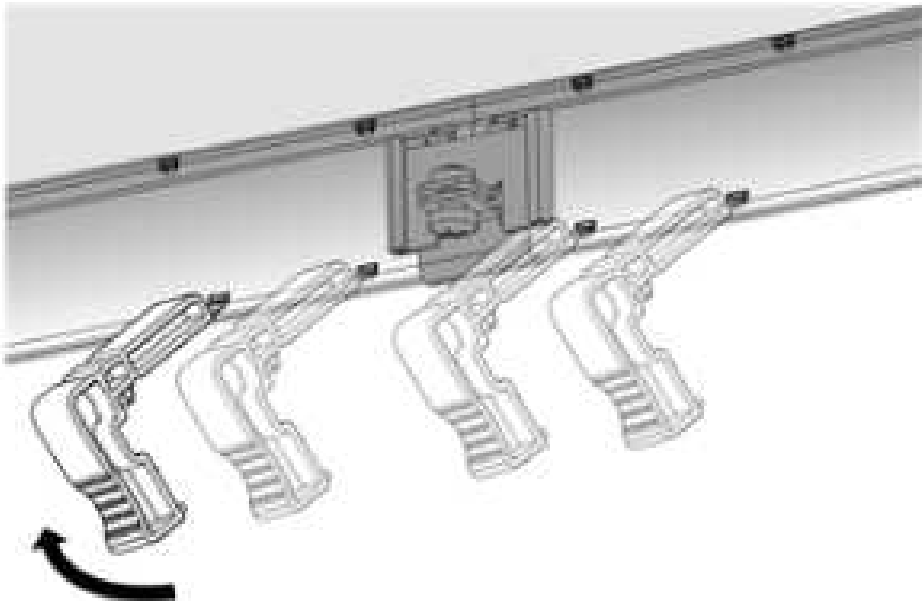
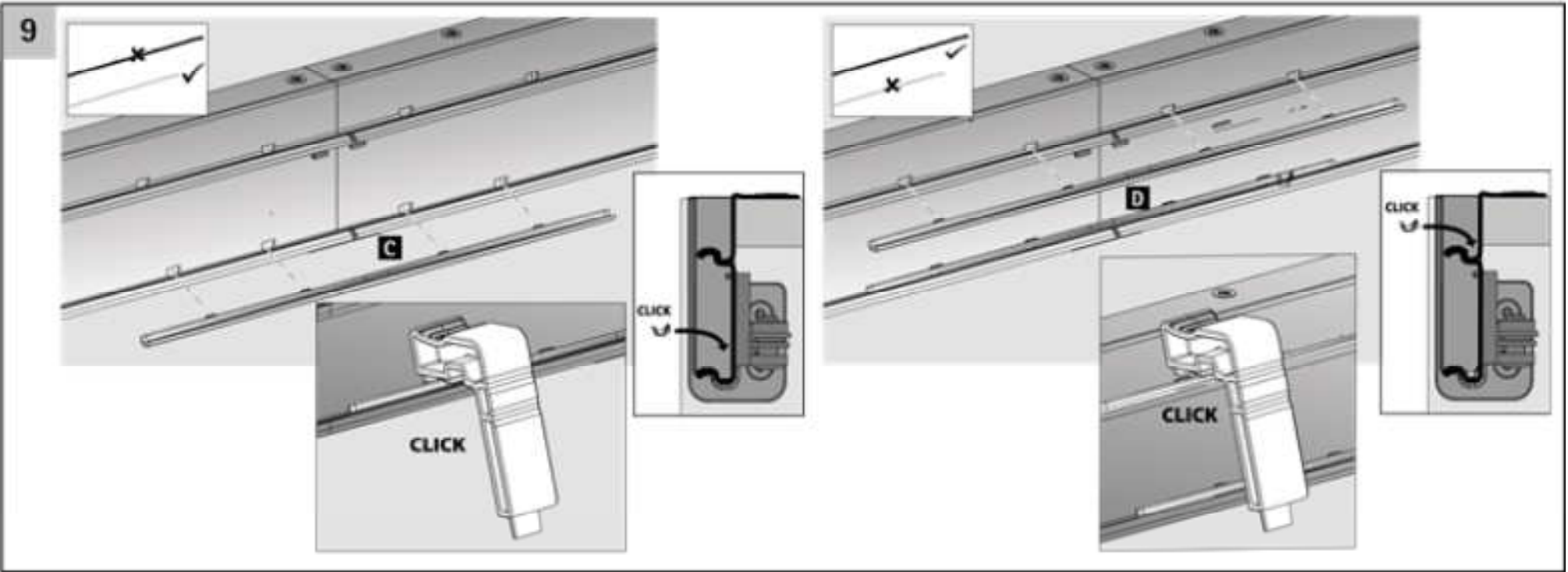


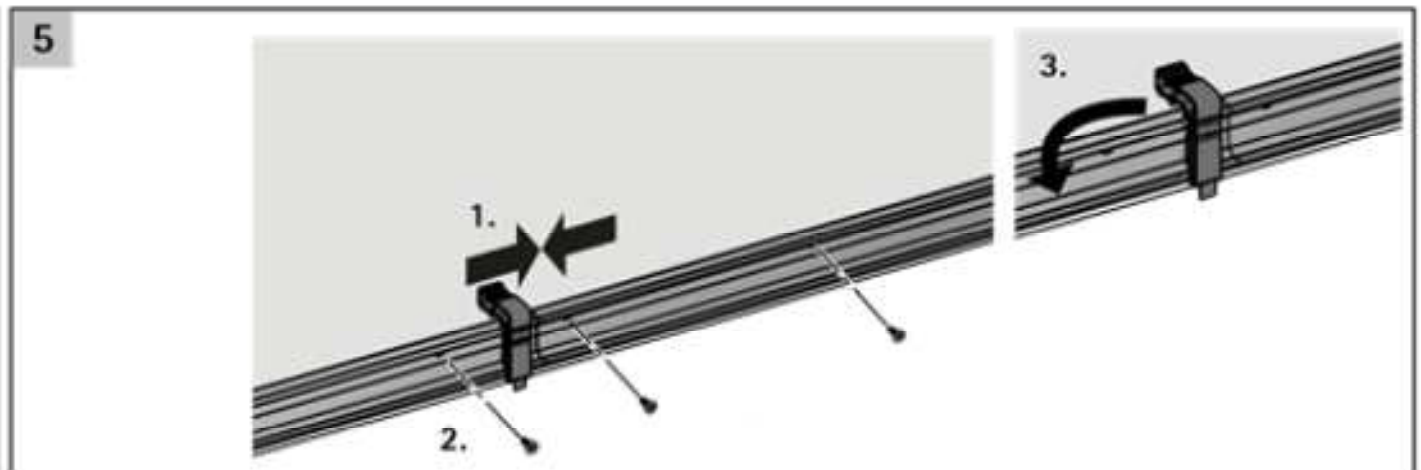
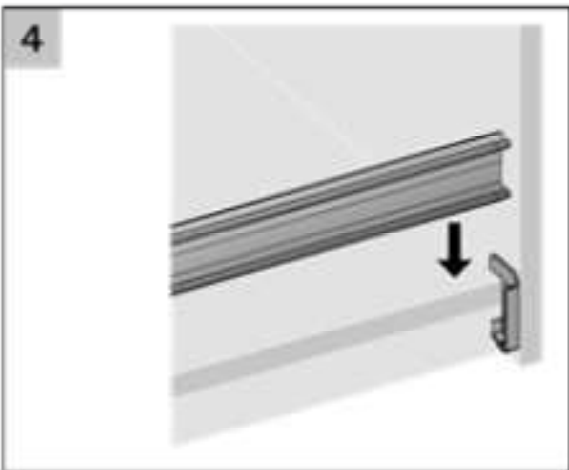
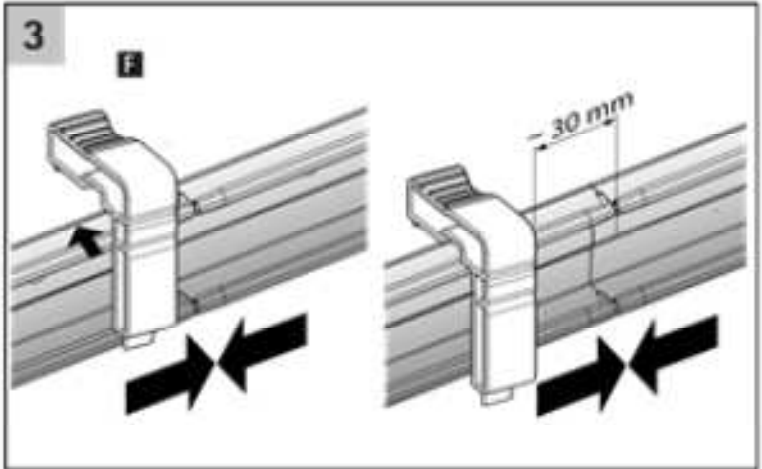
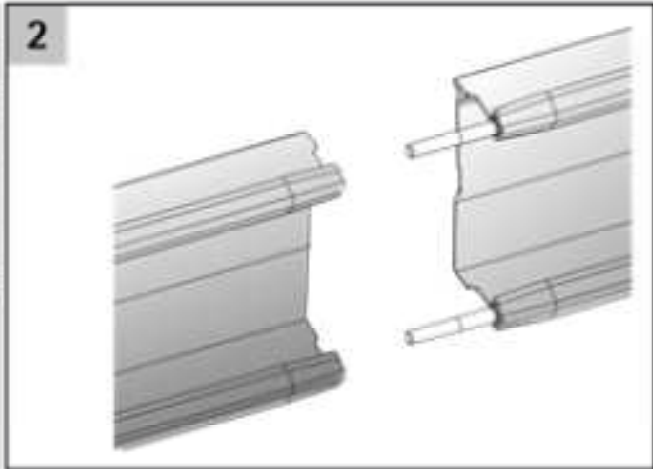
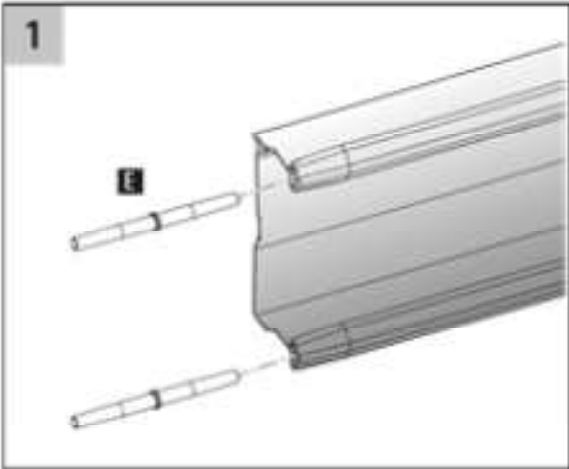
2x

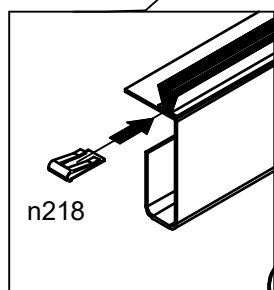
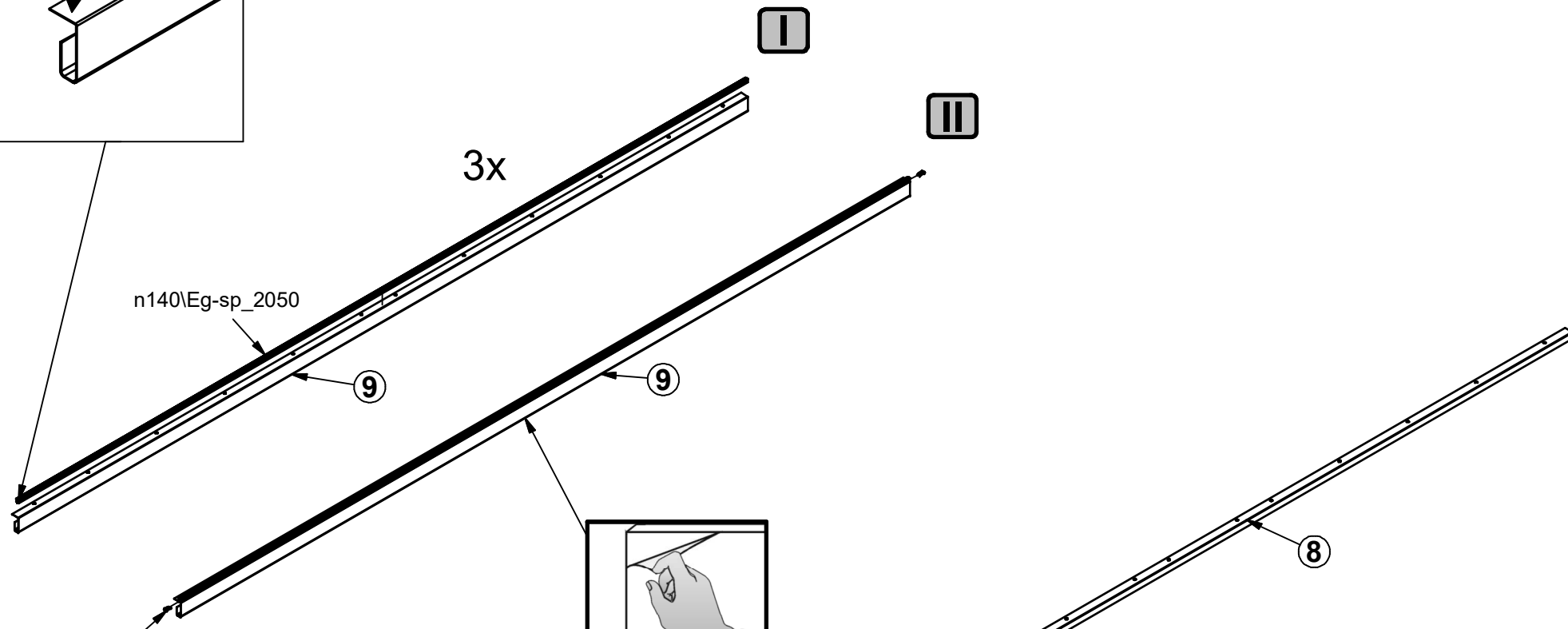
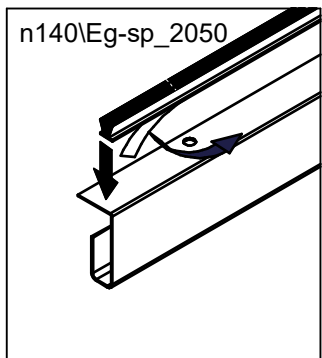




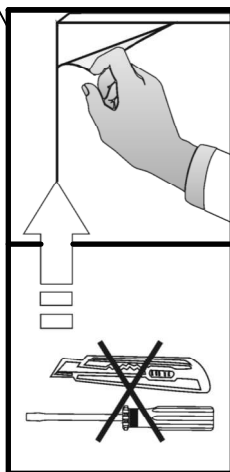
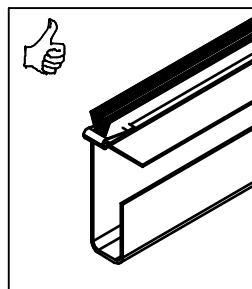




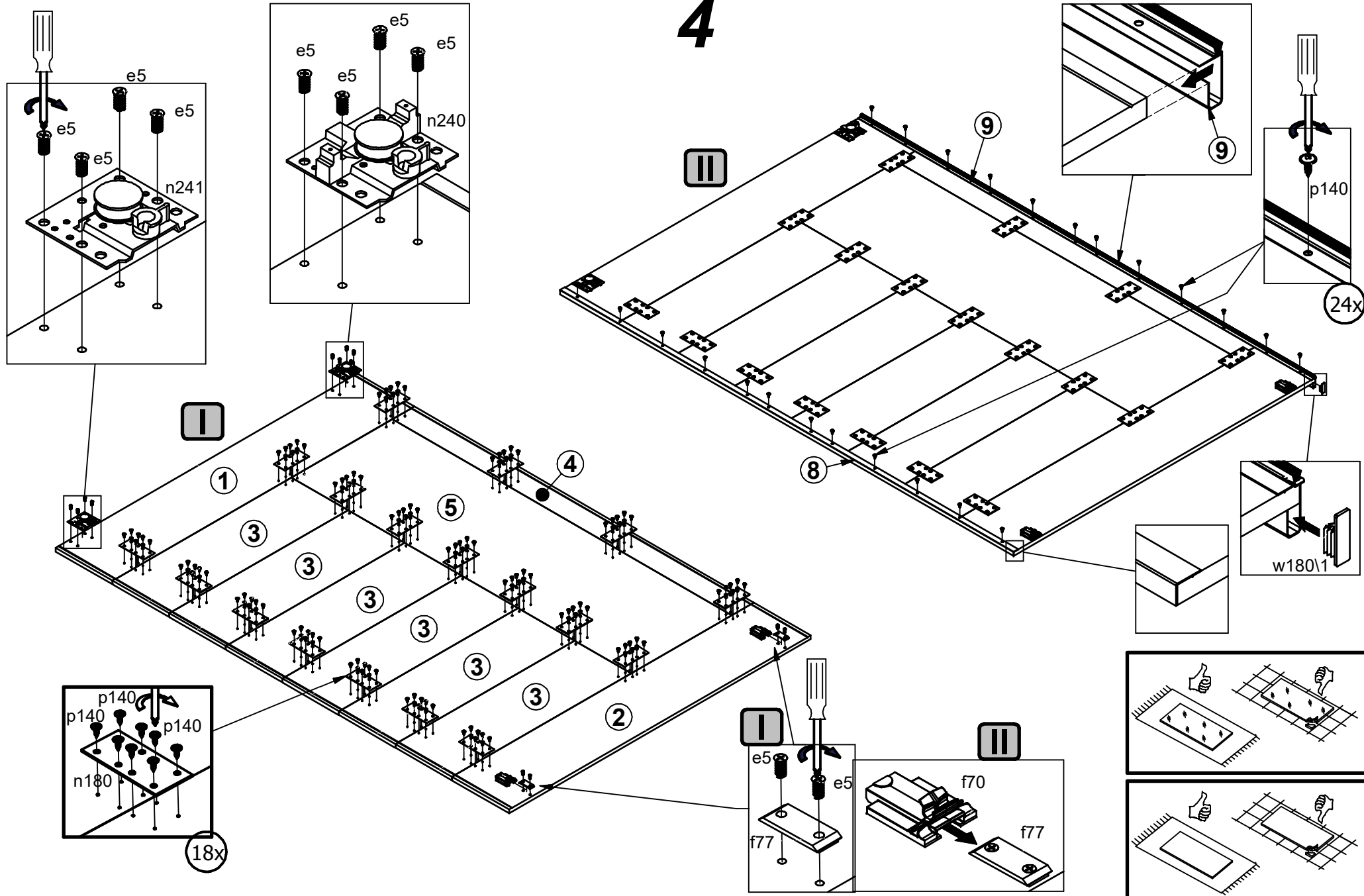




2x

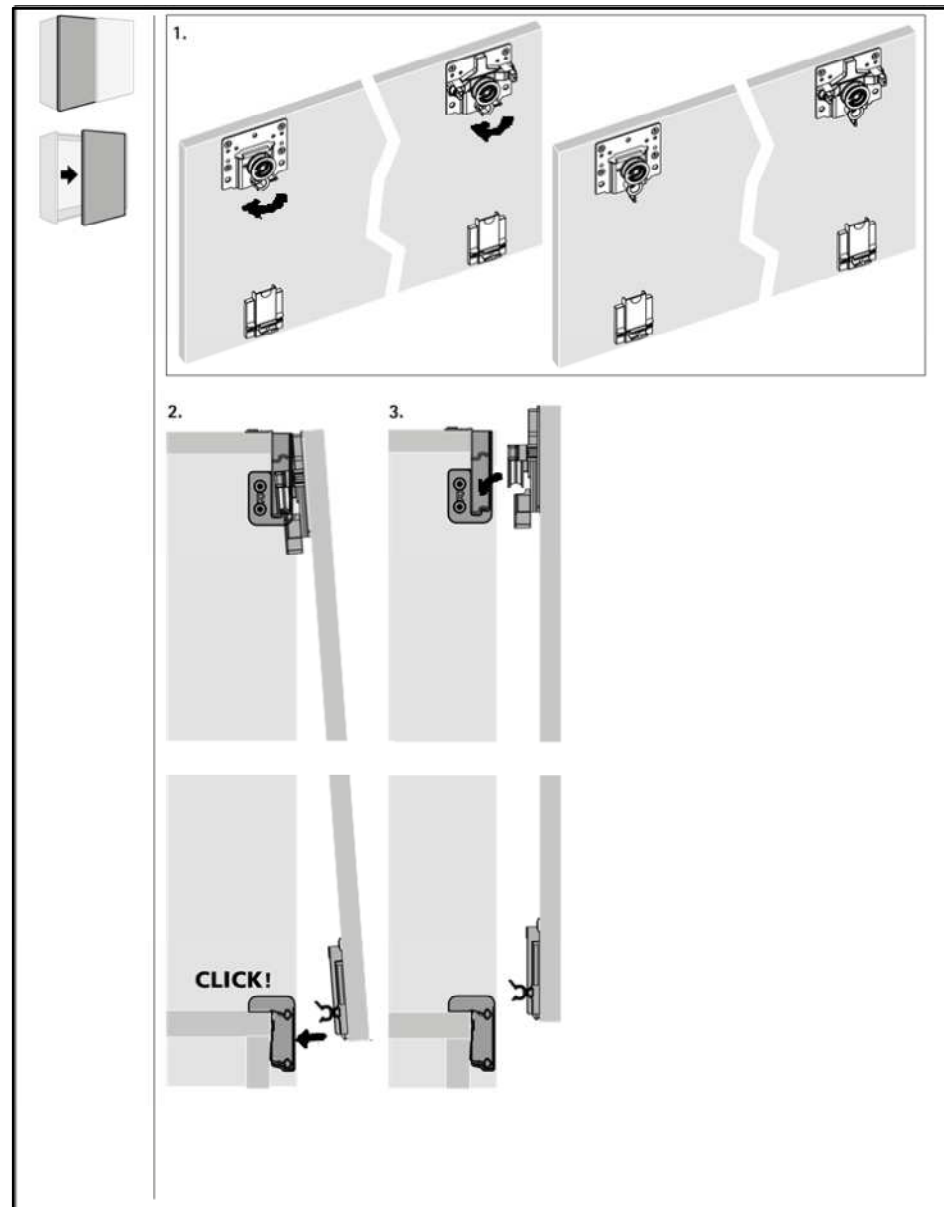
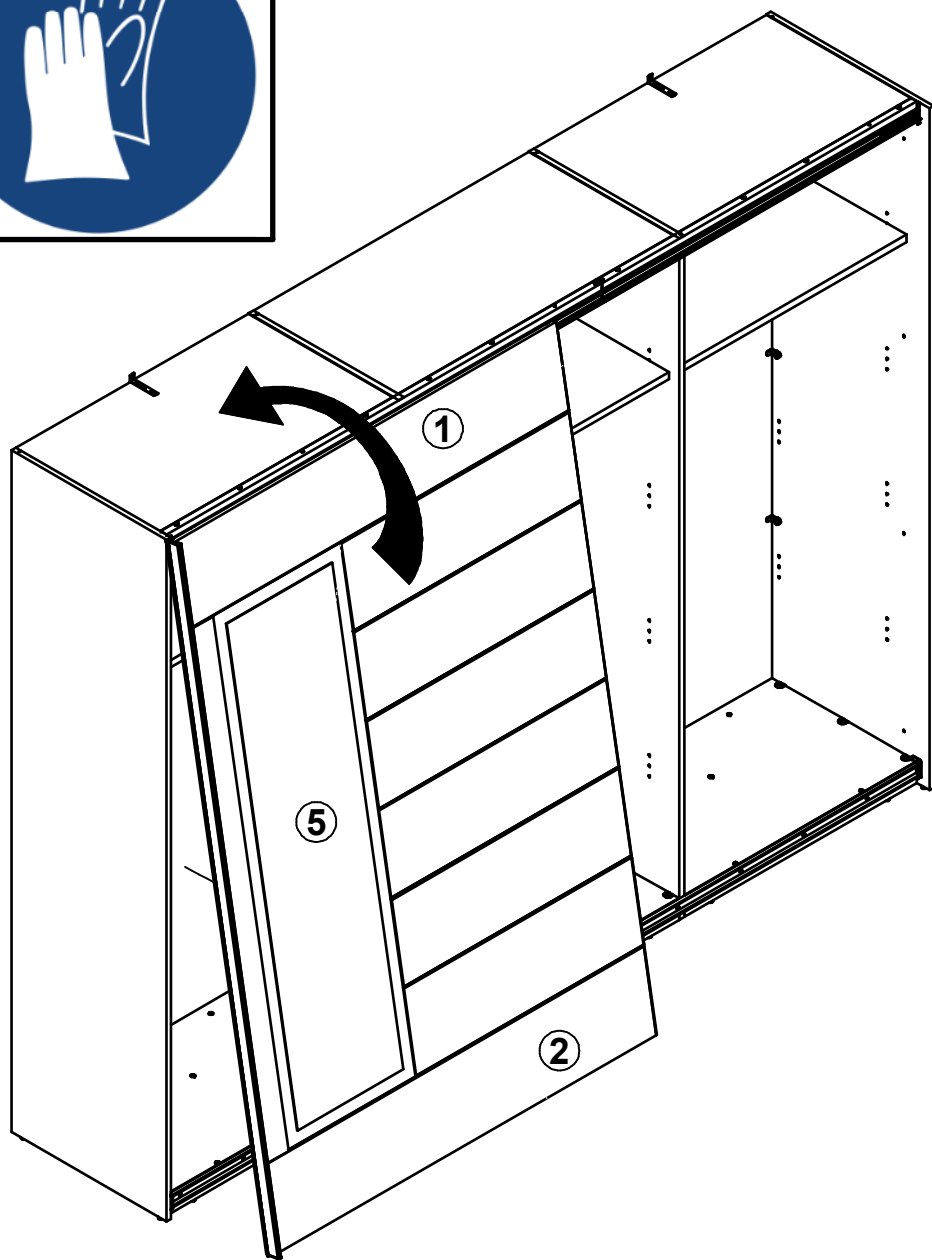


4





6



7

