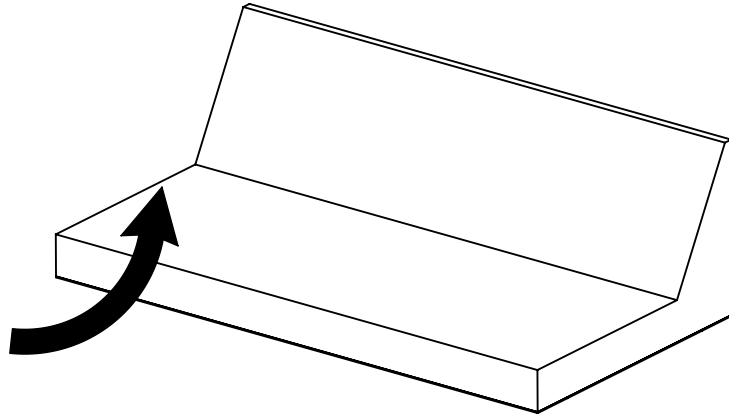


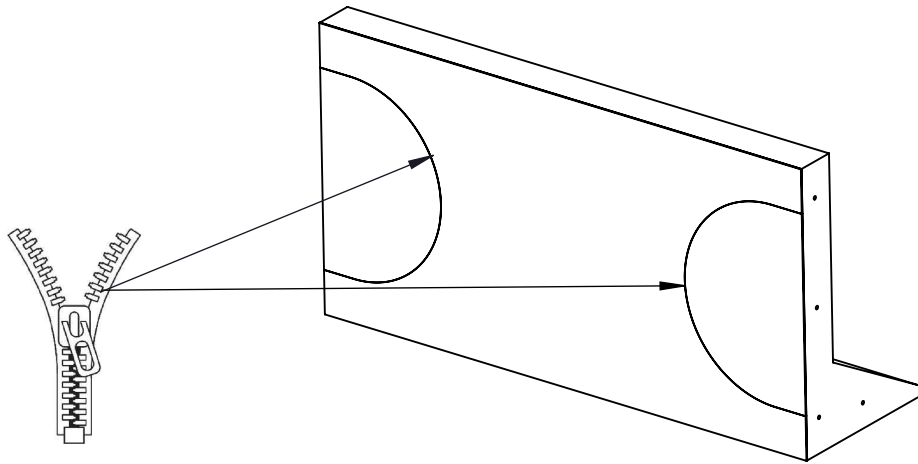
***Sintra***

# For Fittings

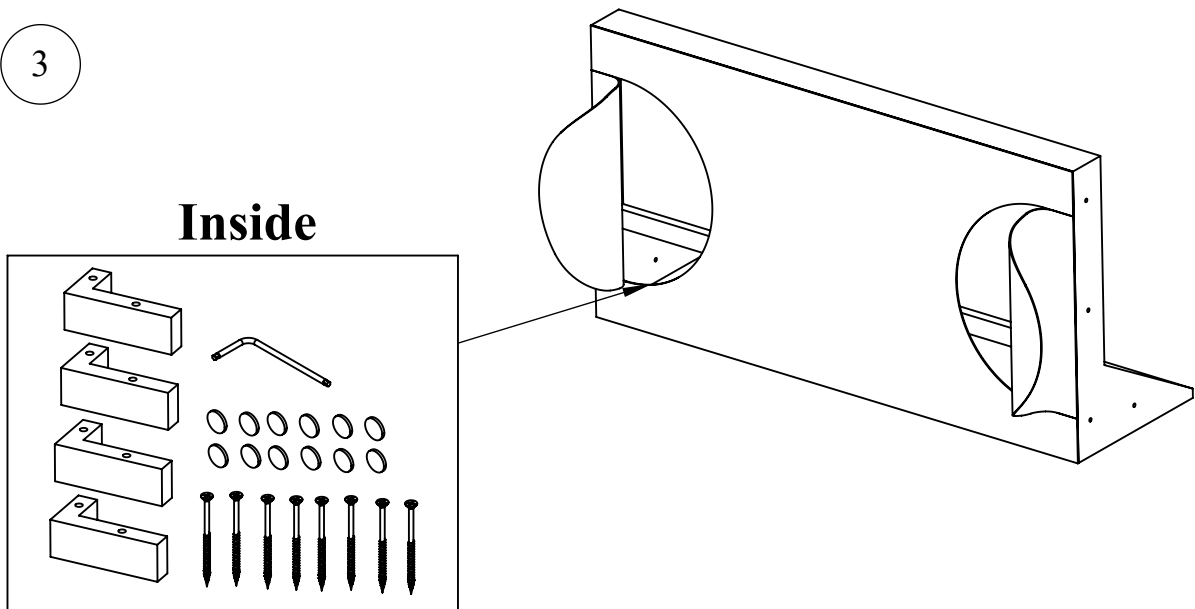
1

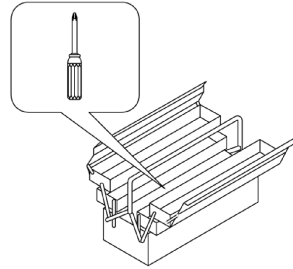
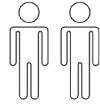
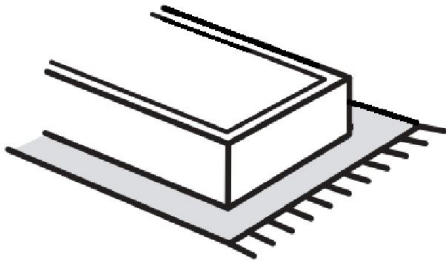
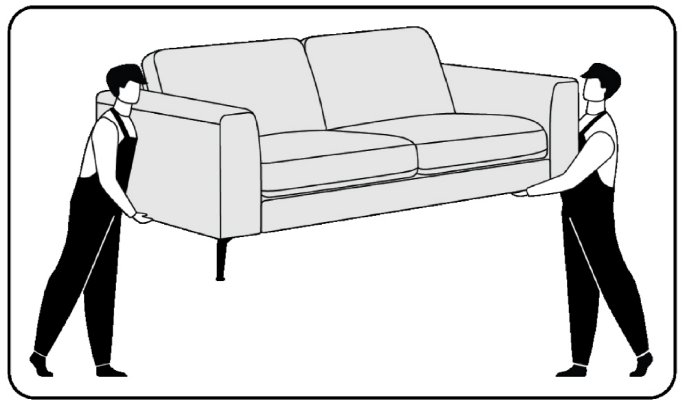
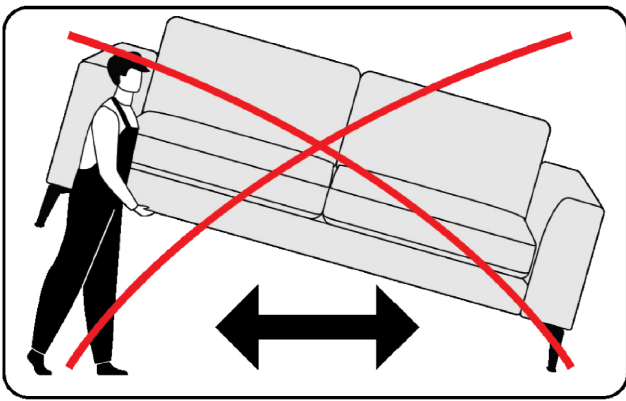


2



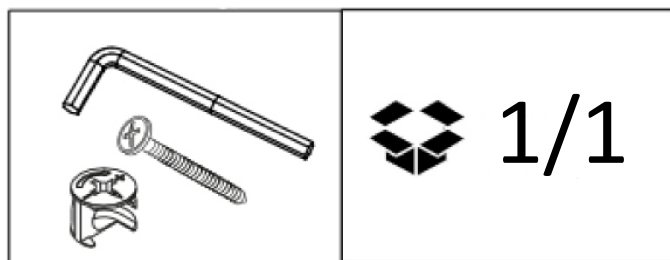
3

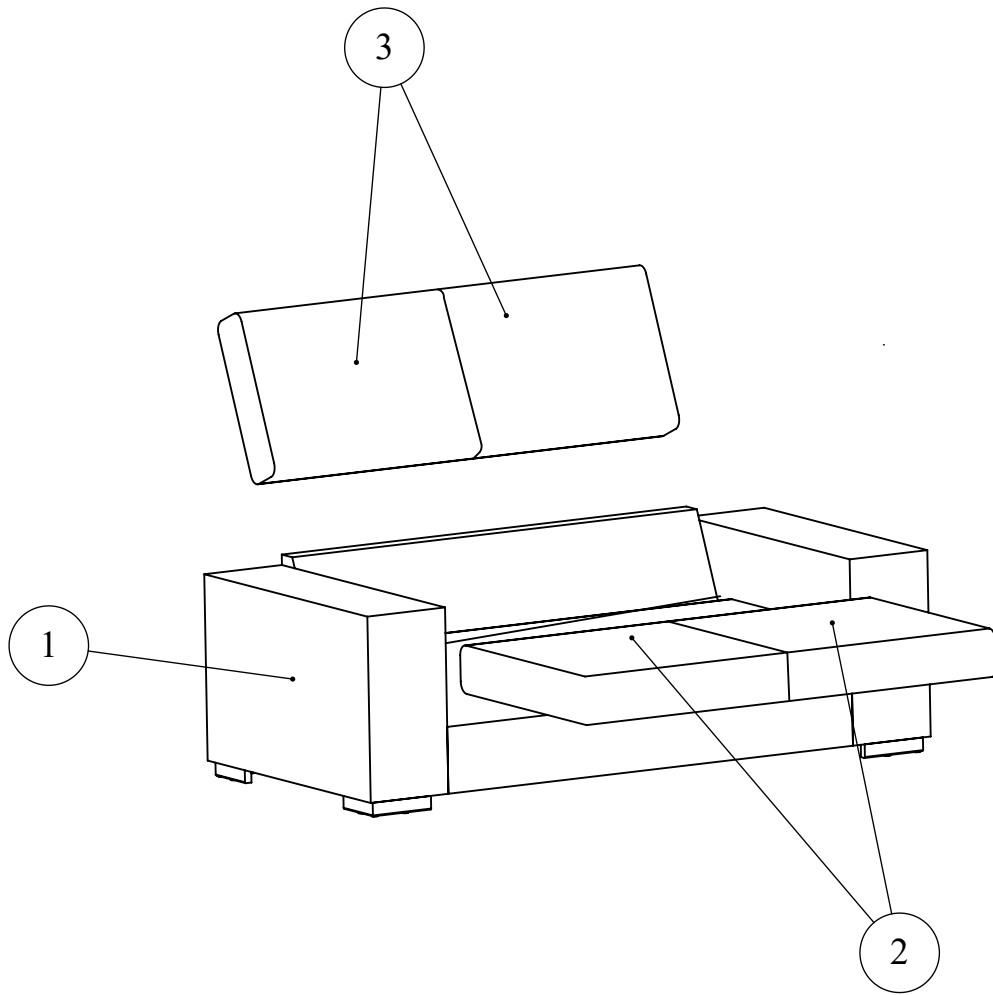




20 min

<p>A x 4</p>	<p>B x 8</p>	<p>C x 12</p>	<p>D x 1</p>	





Article number	PSC	Package
1	x1	1/1
2	x2	1/1
3	x2	1/1

