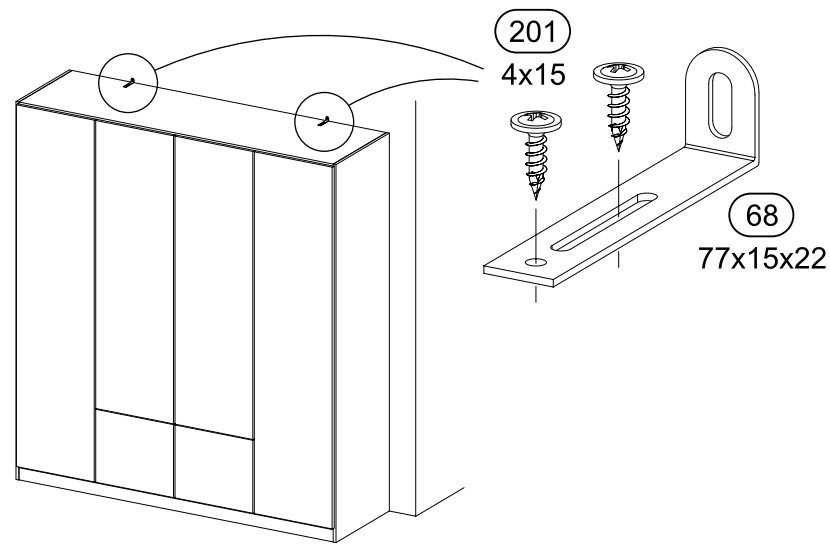
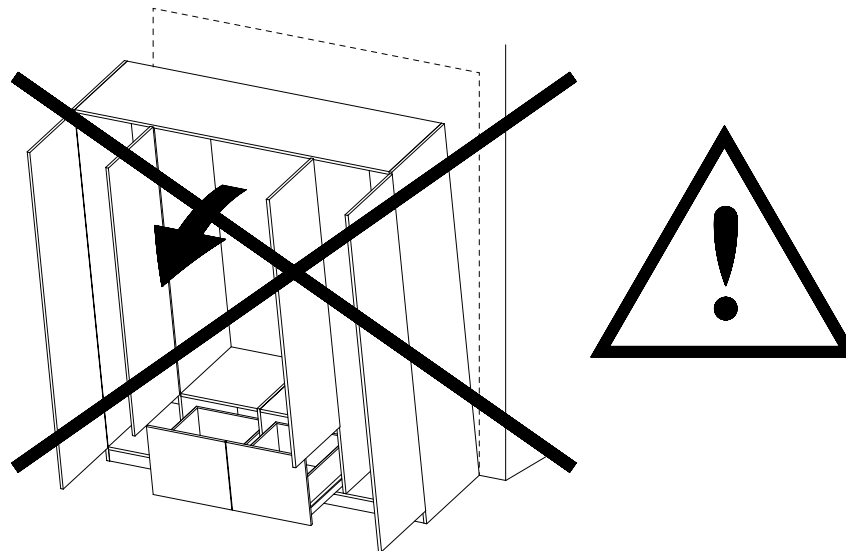
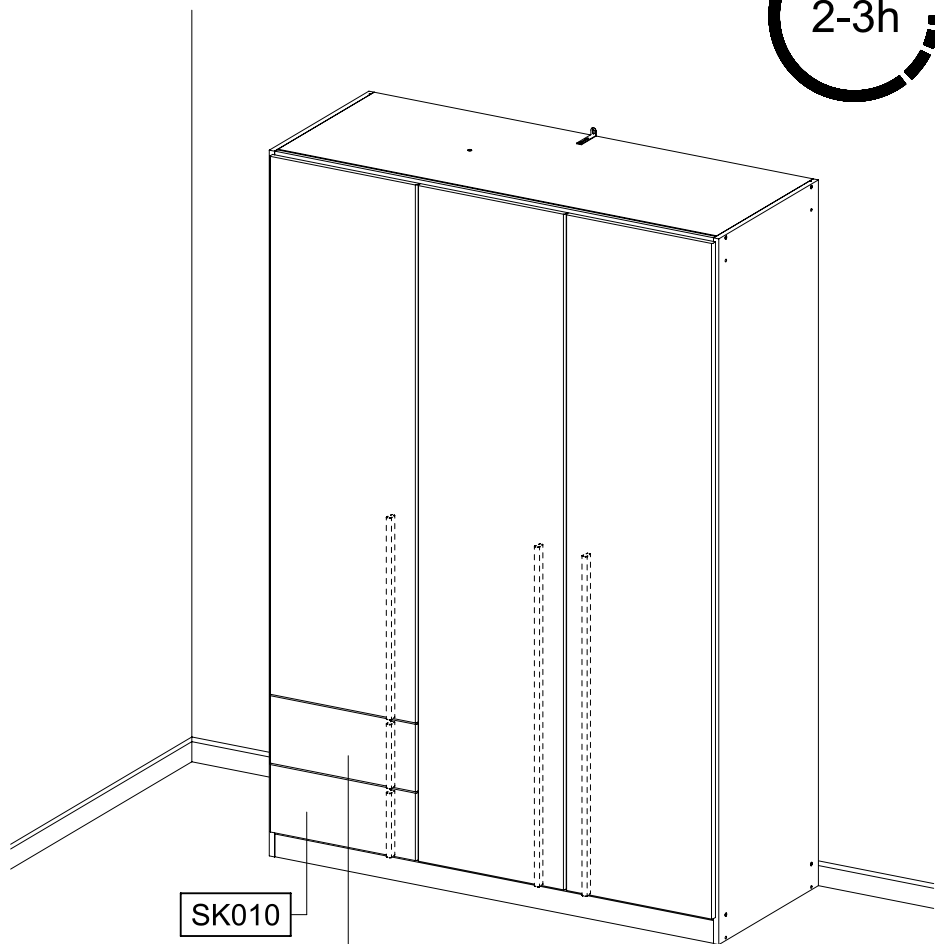
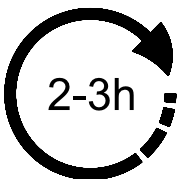
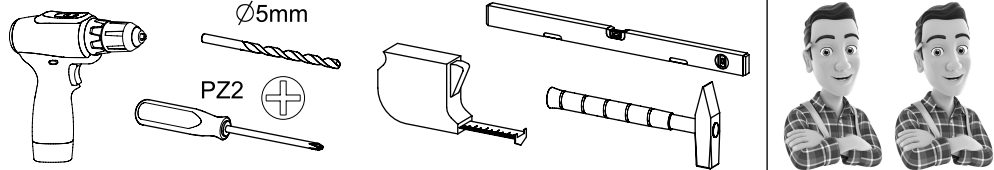


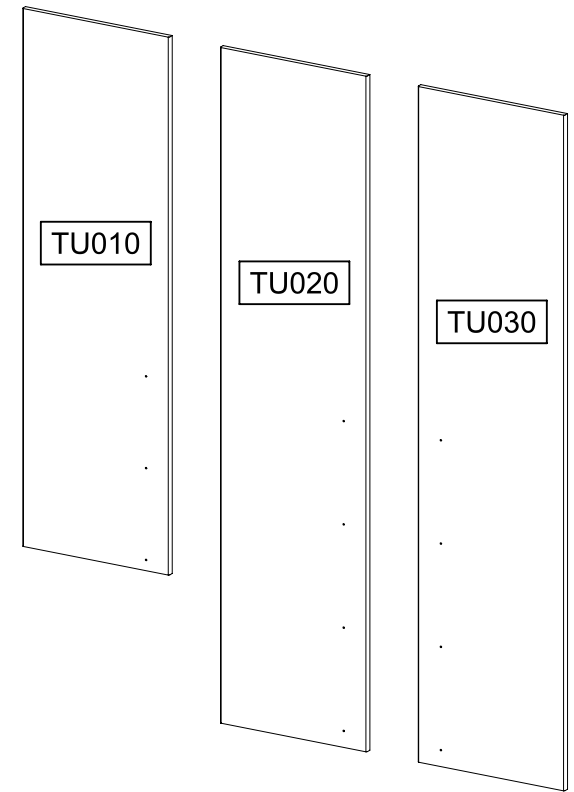
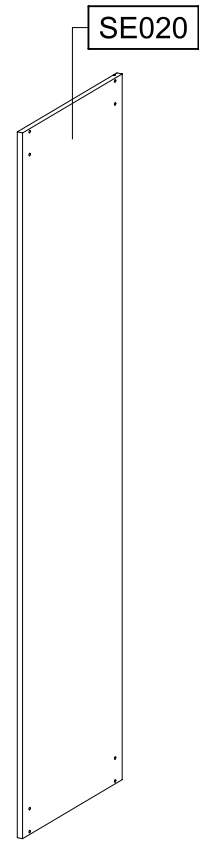
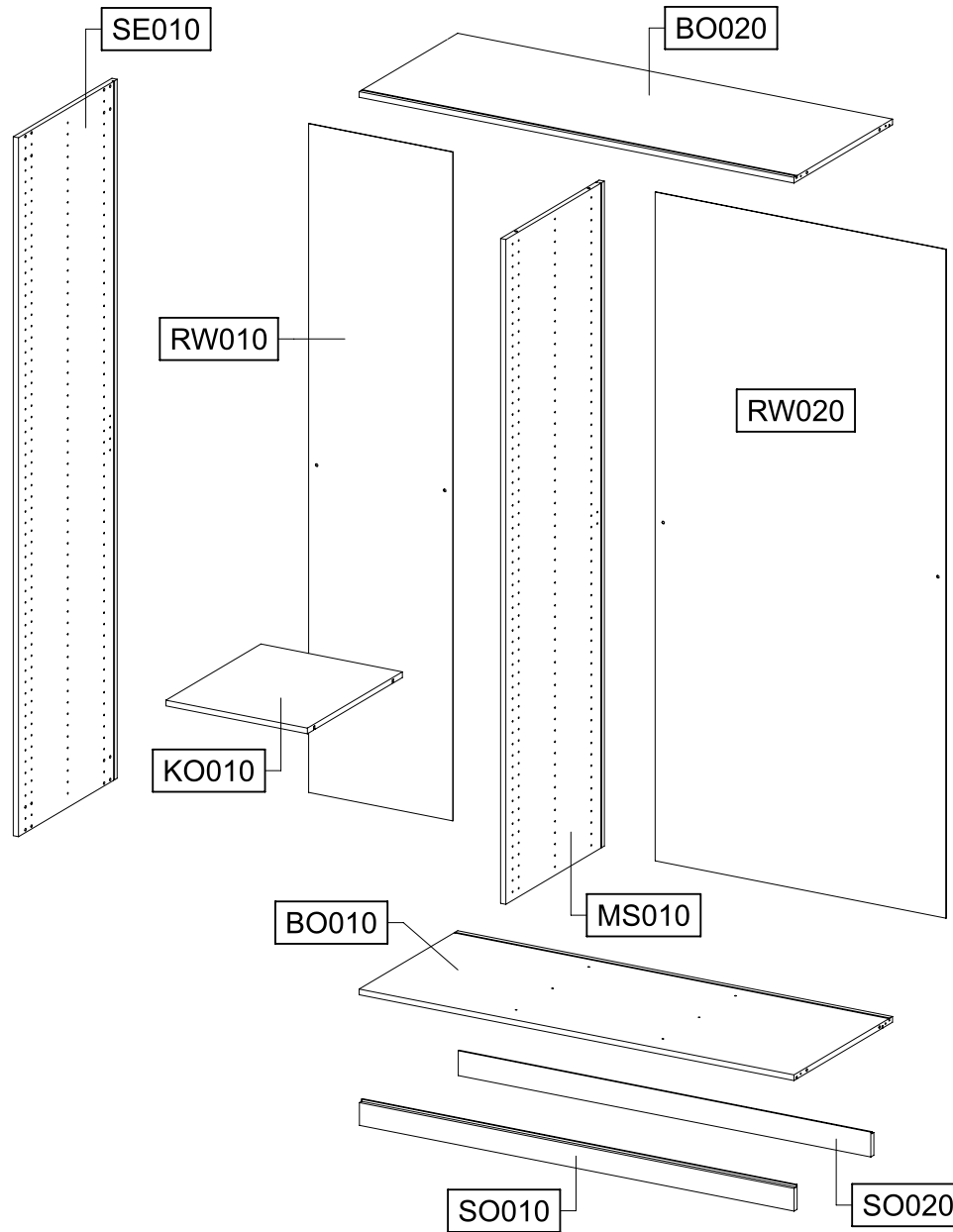
# M3190\_01



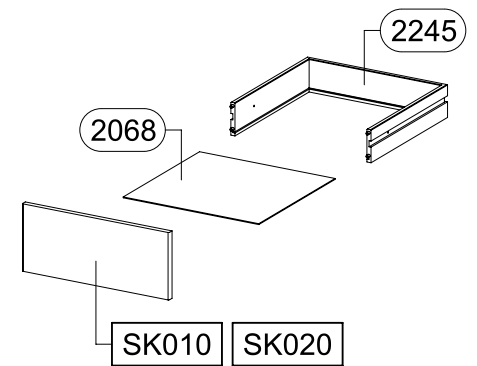
VIDEO

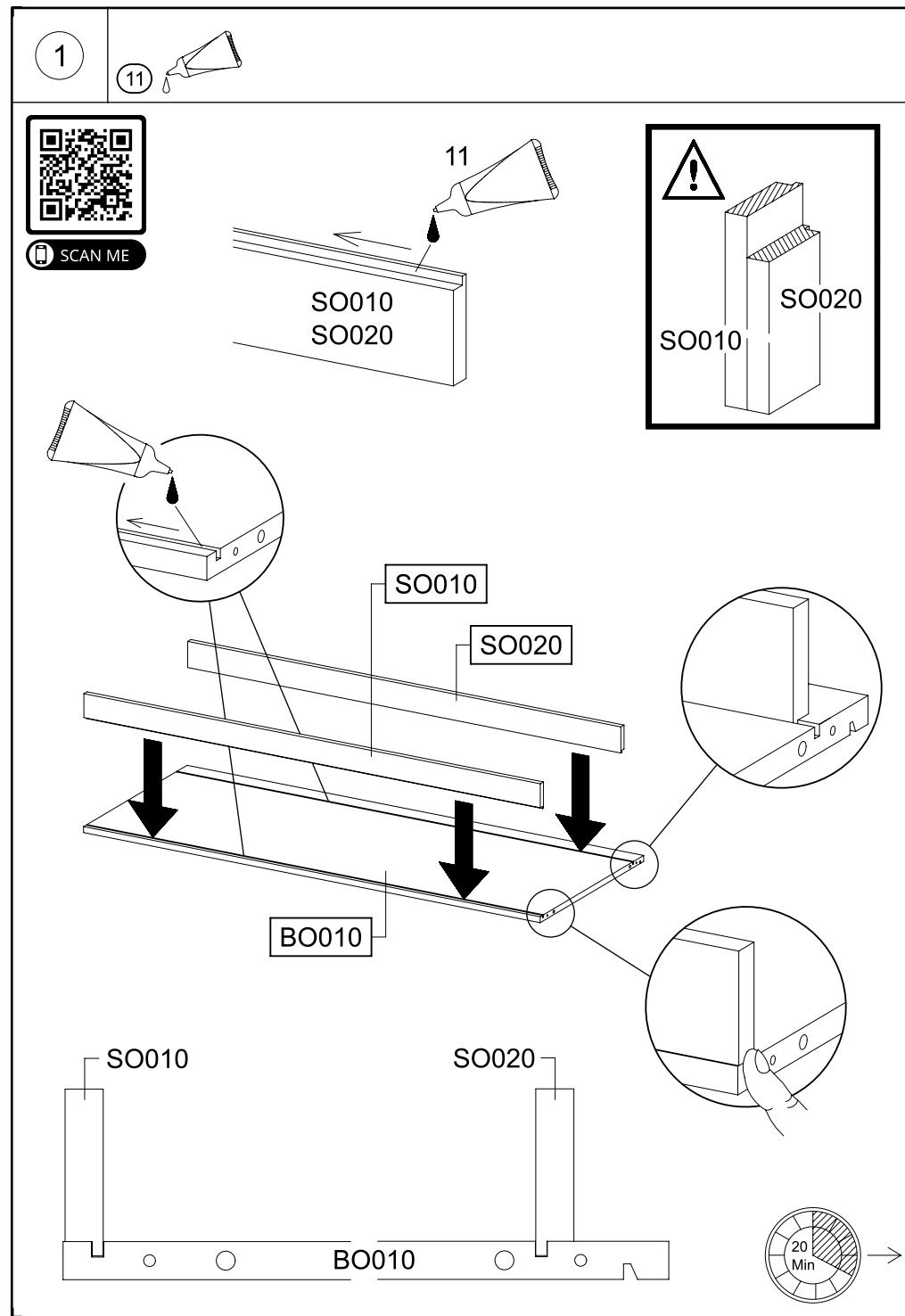
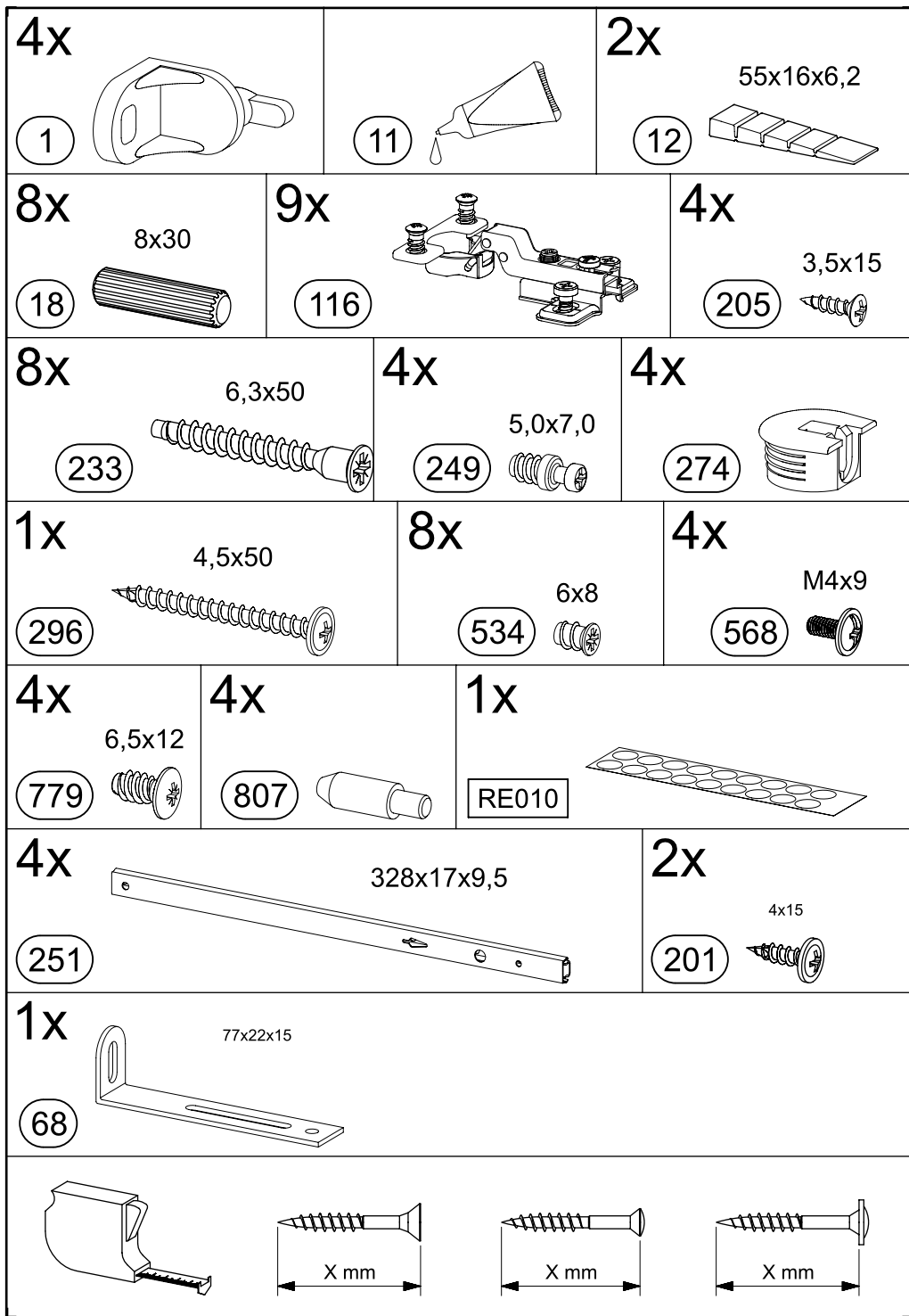


SCAN ME

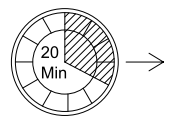
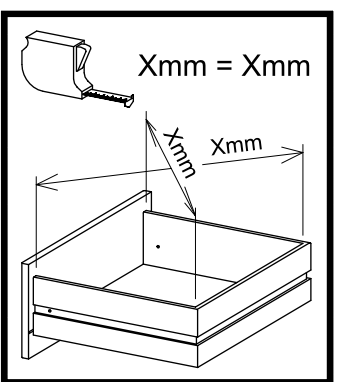
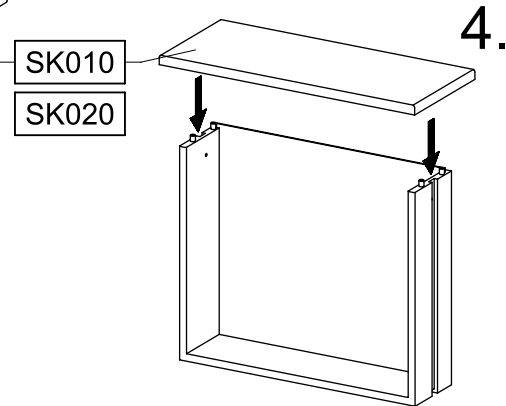
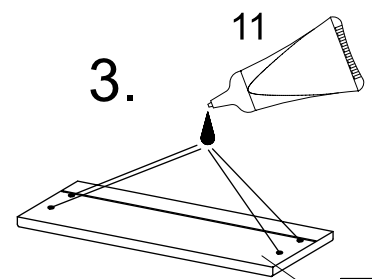
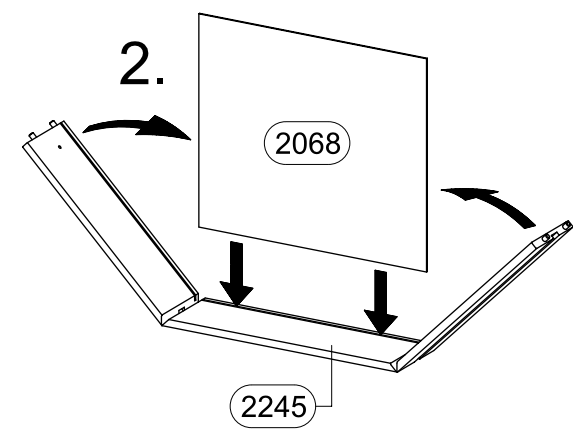
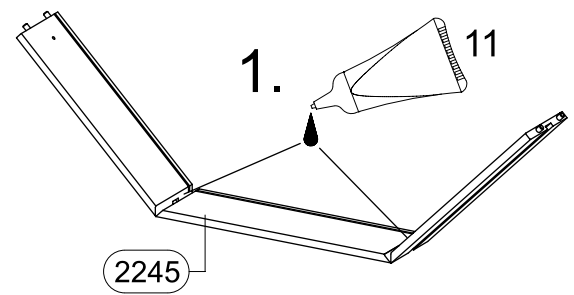
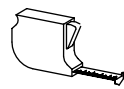


SK010 = SK020

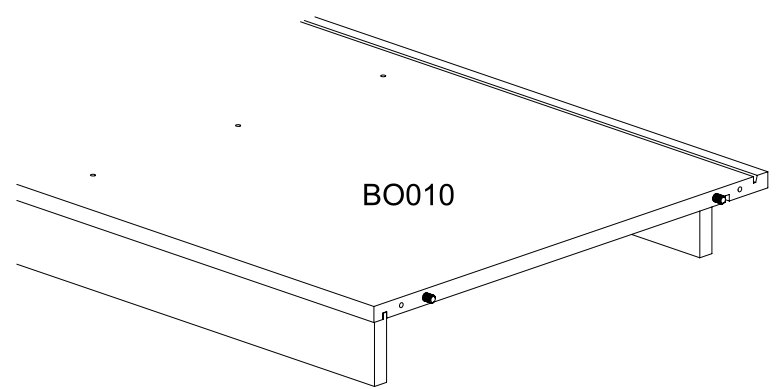
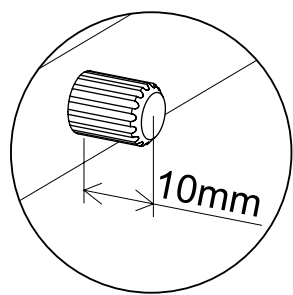
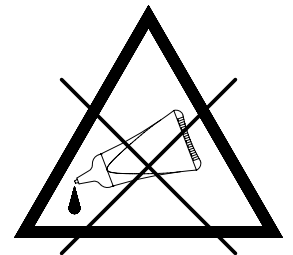
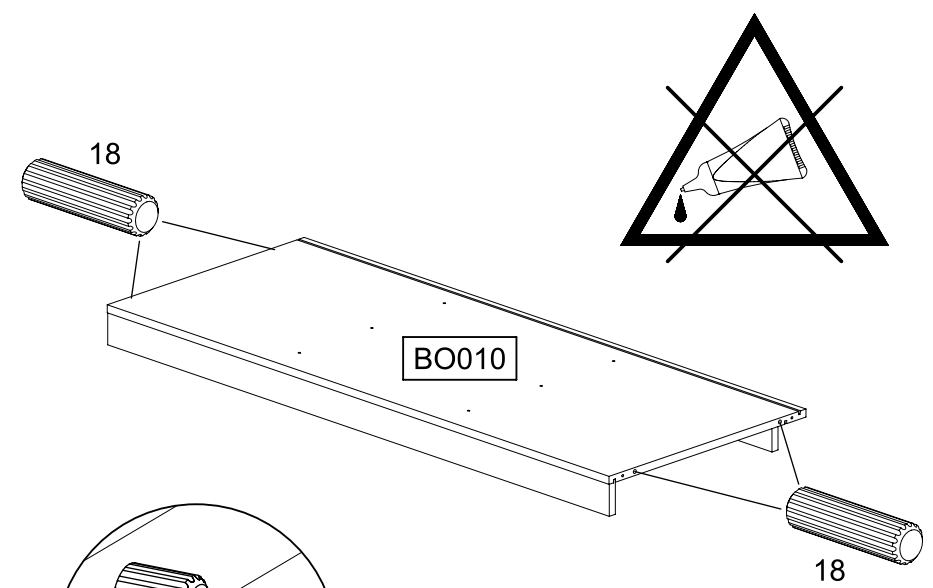
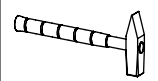
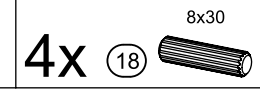


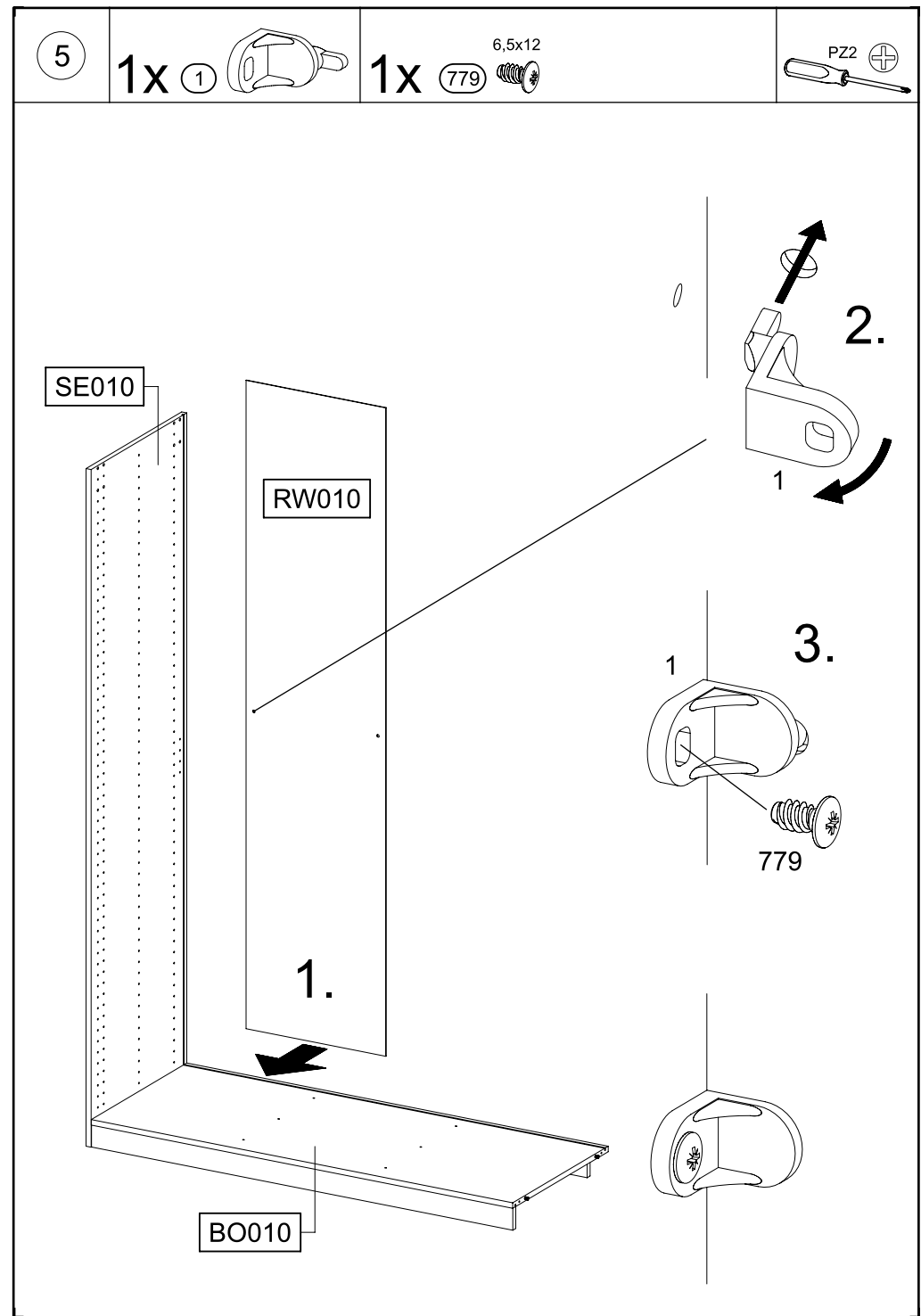
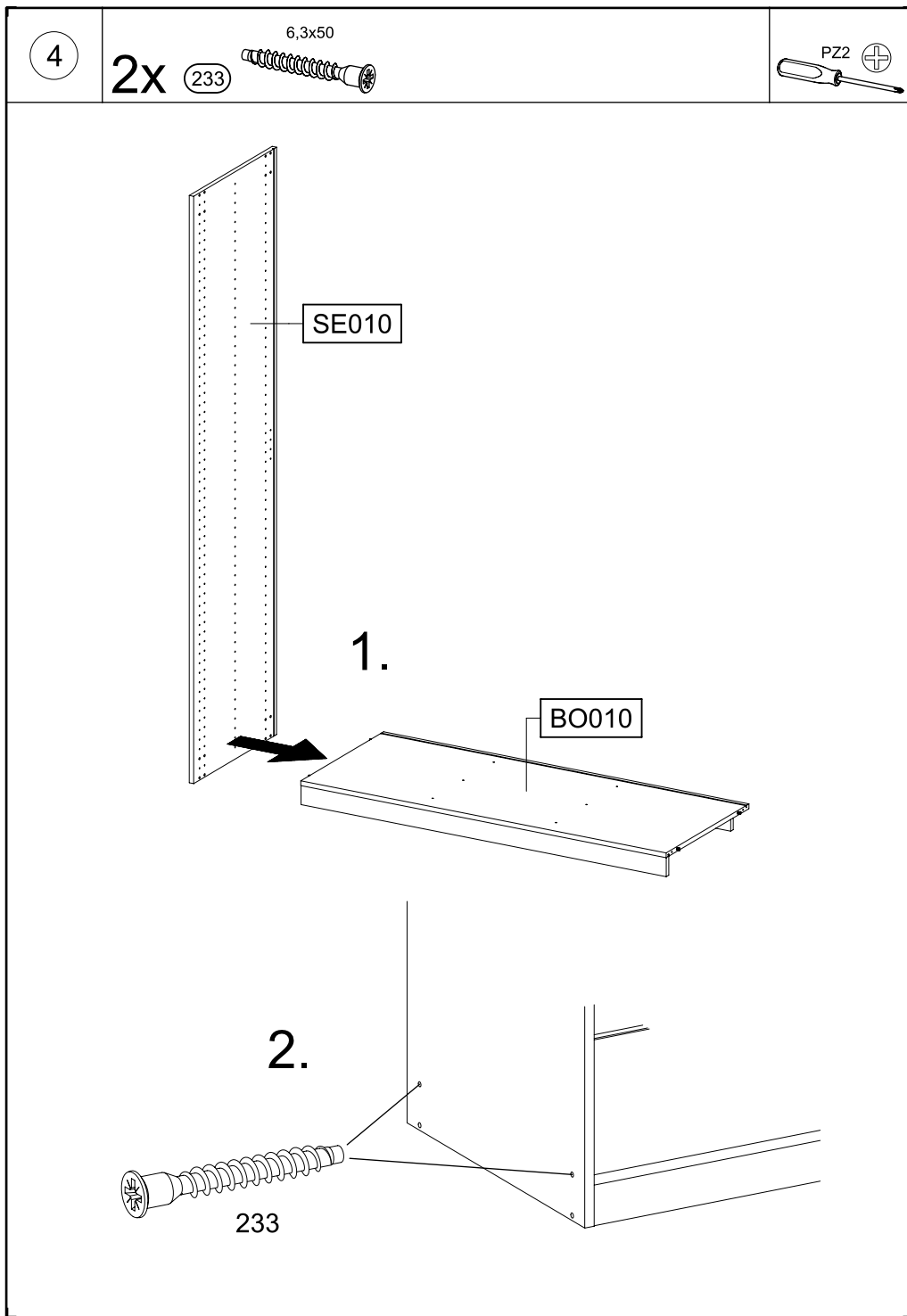


2



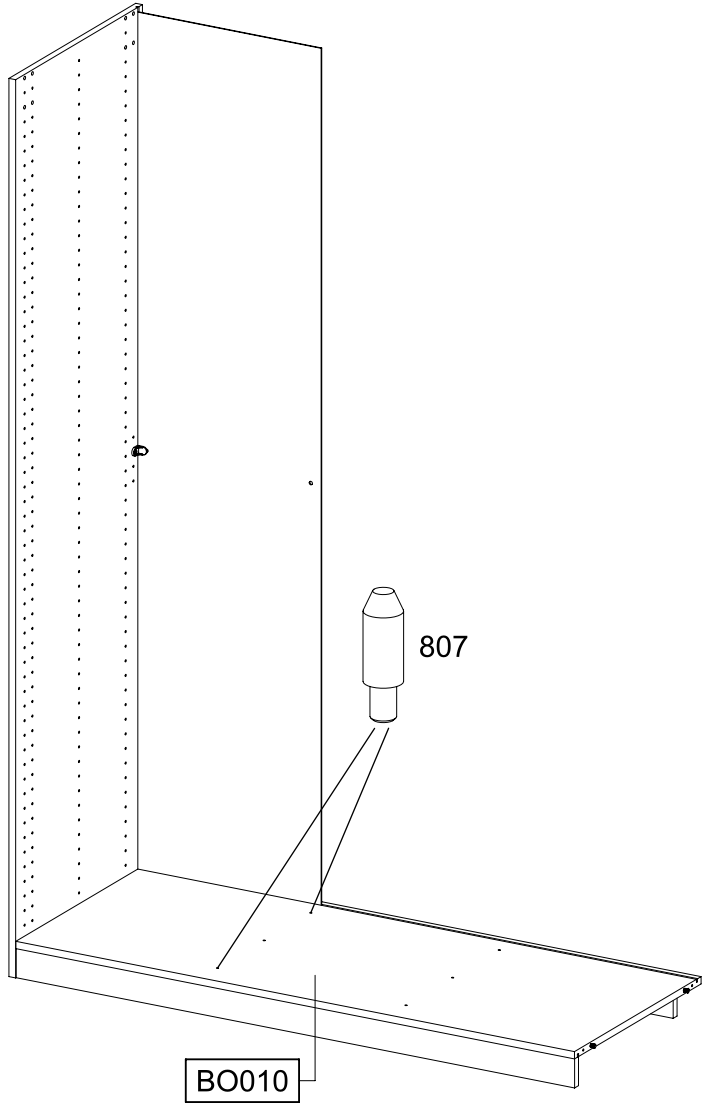
3





6

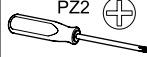
2x 807 

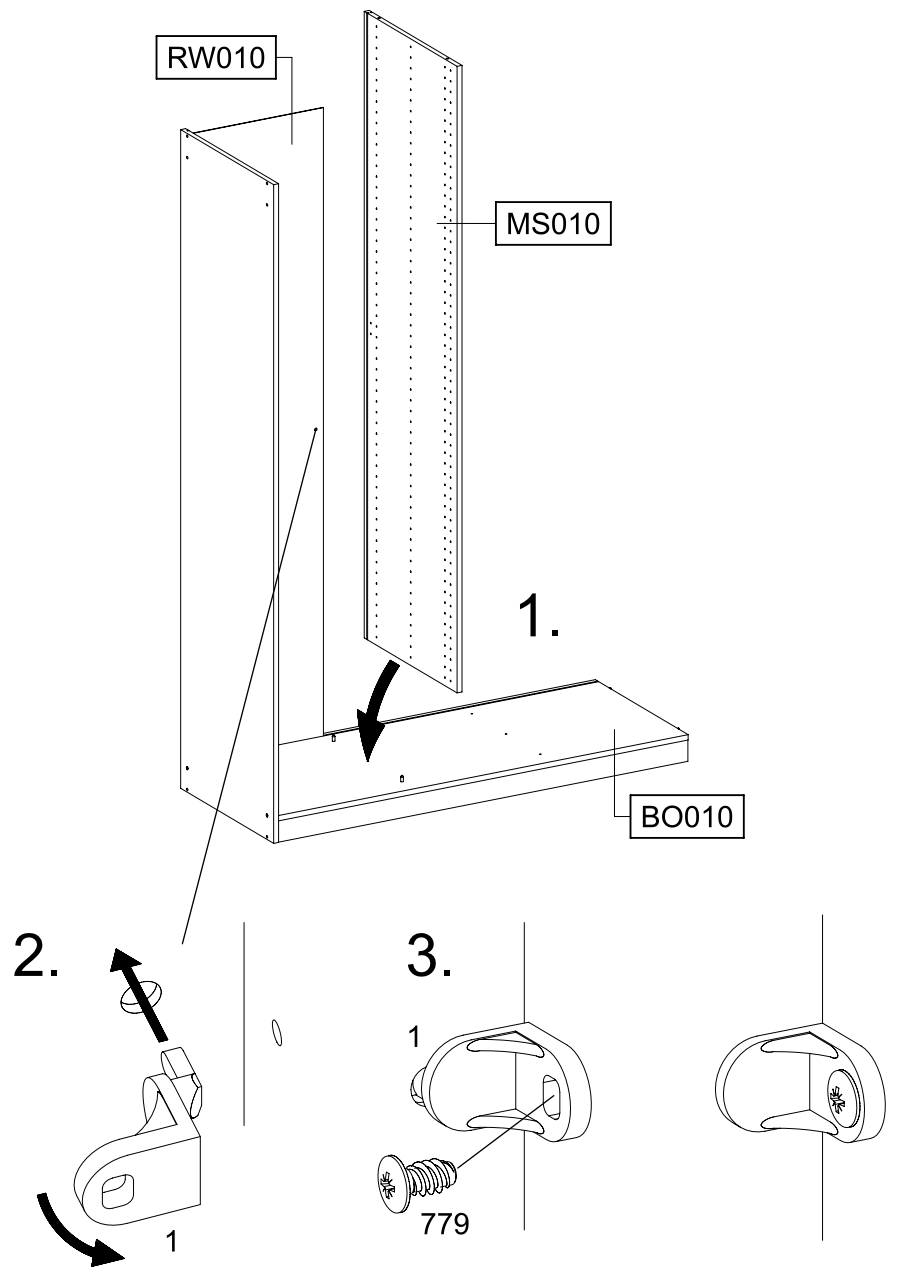


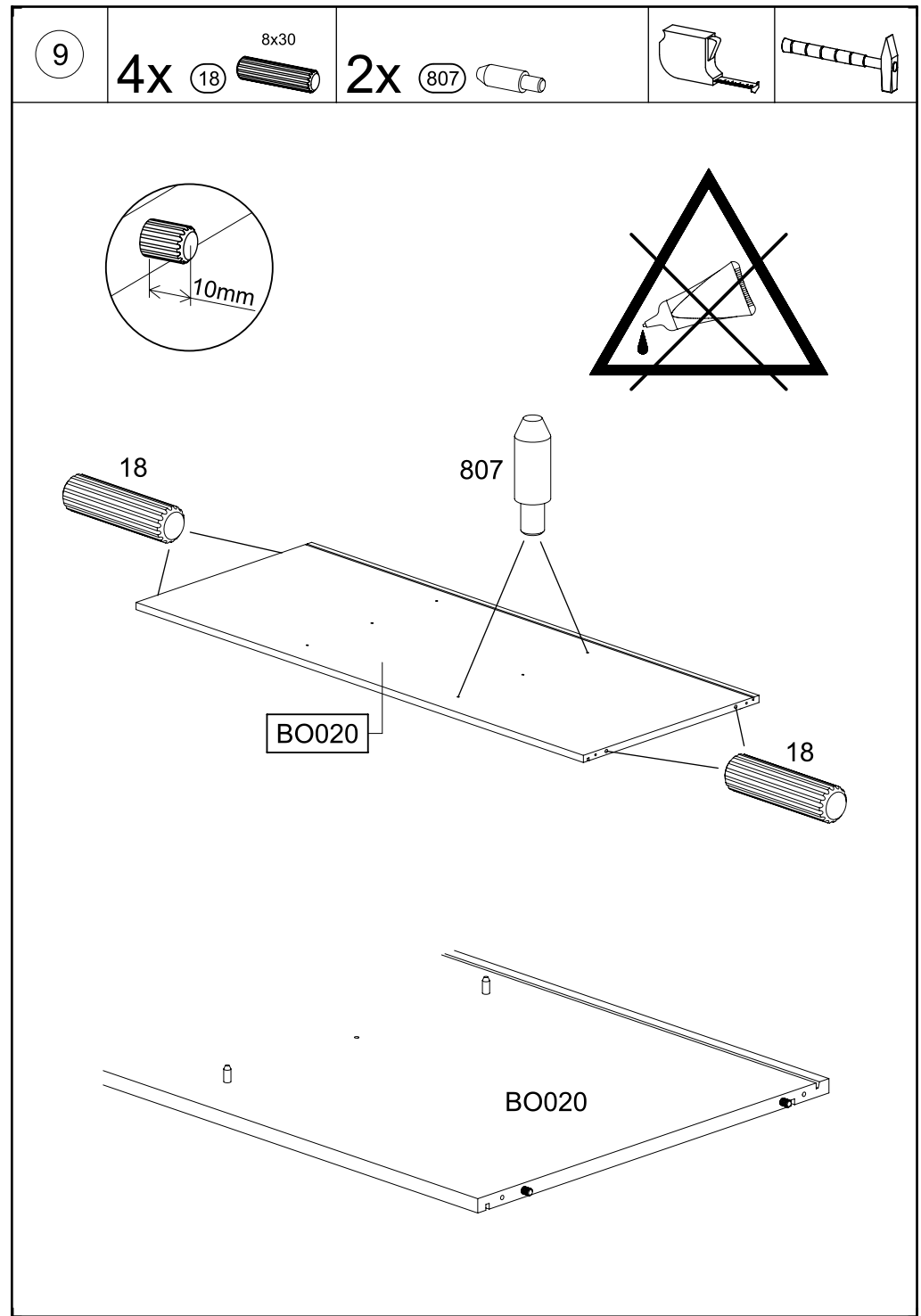
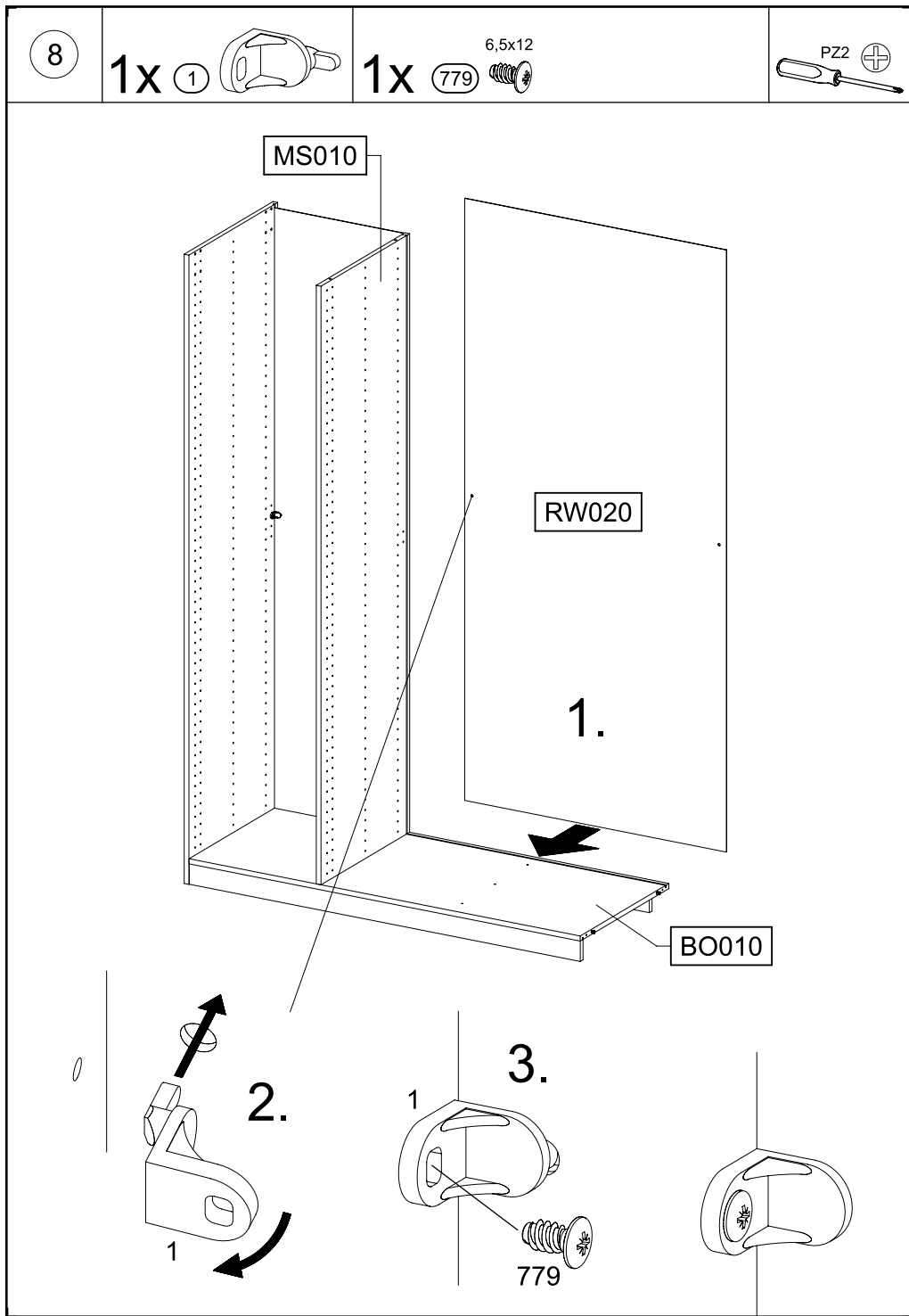
7

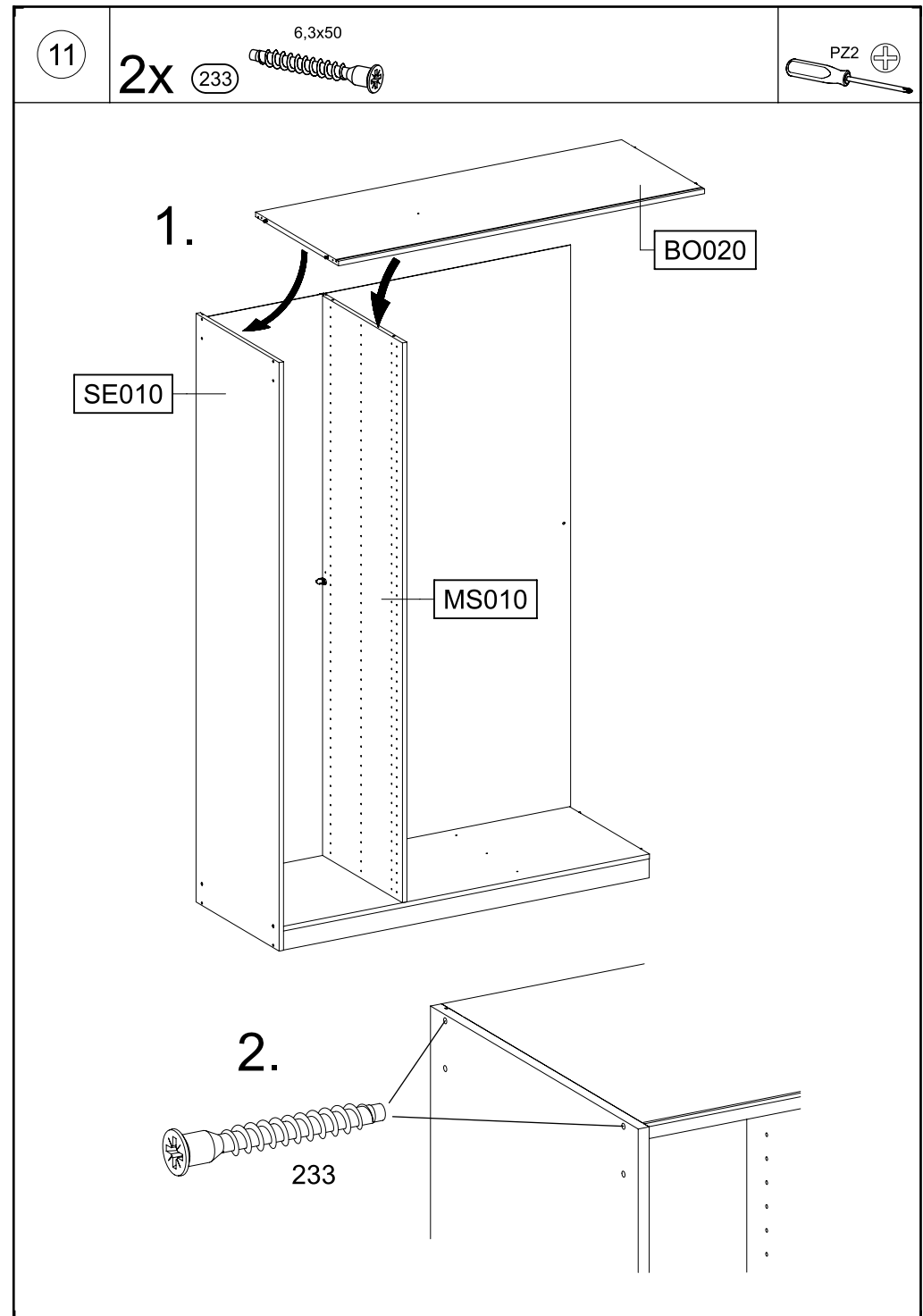
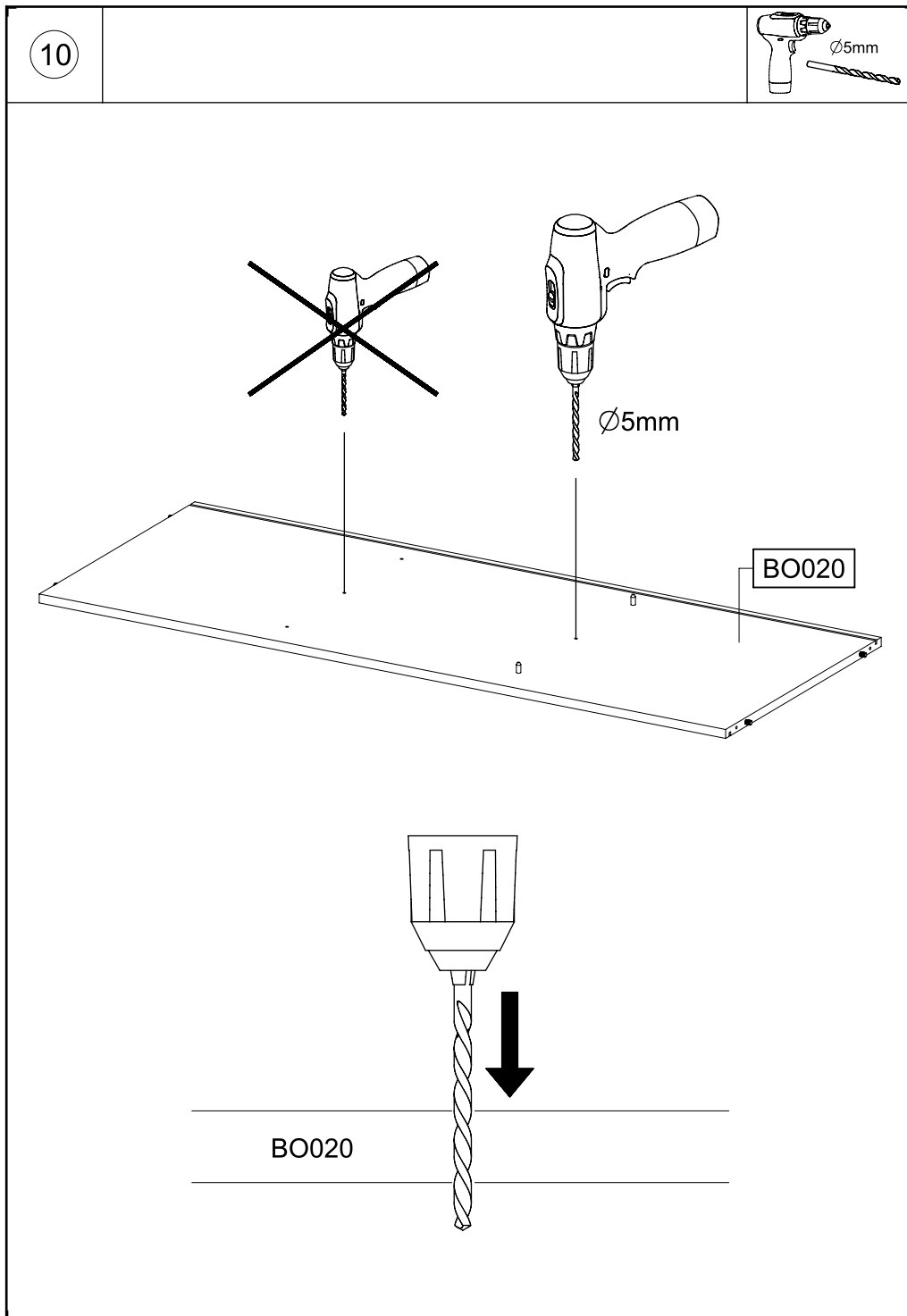
1x 1 

1x 779  6,5x12

PZ2 

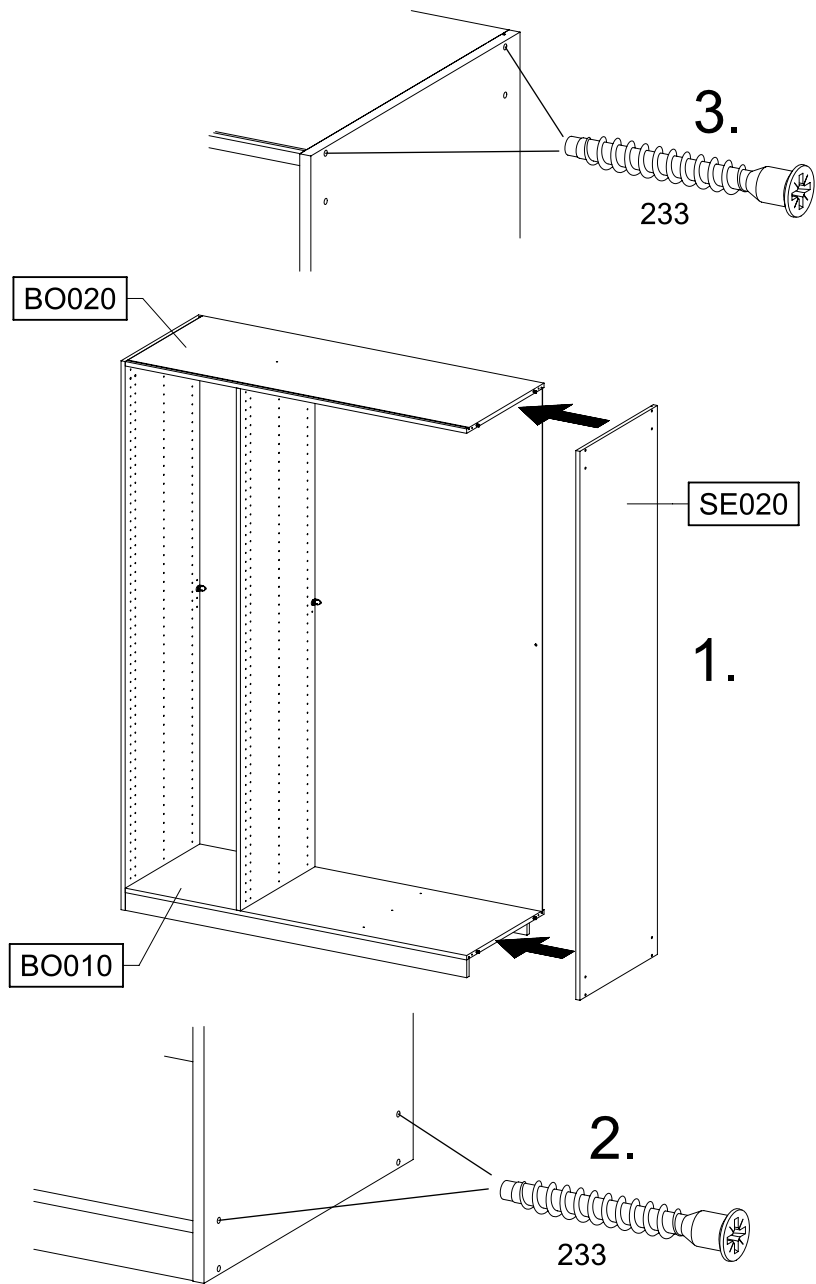
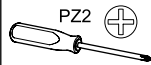
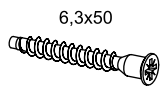






12

4x 233

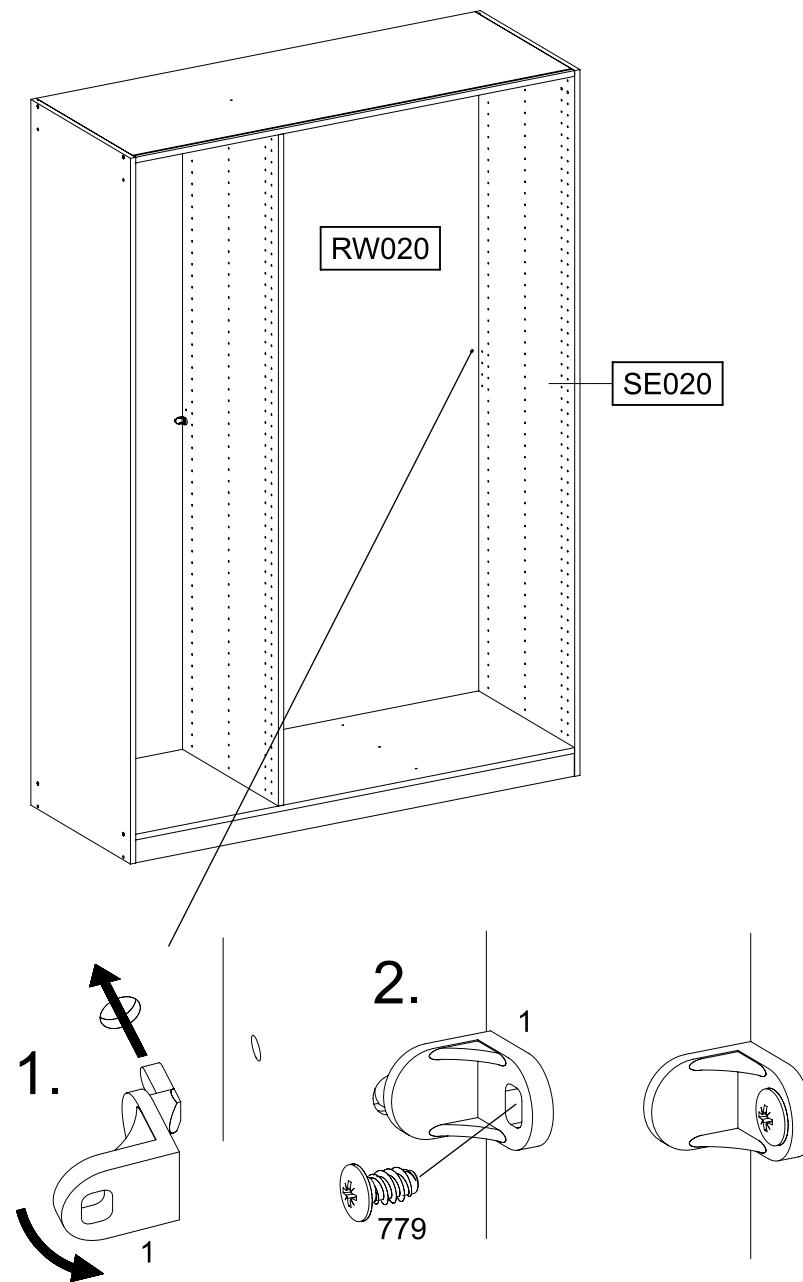
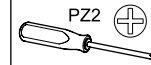


13

1x 1



1x 779

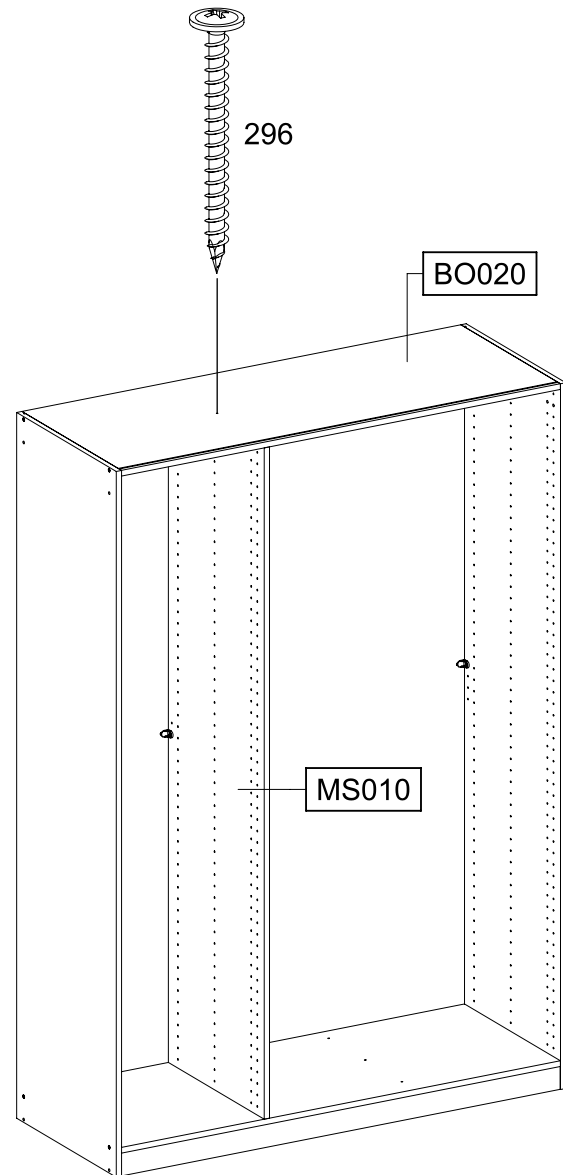
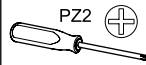
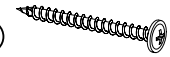


14

1x

296

4,5x50



296

BO020

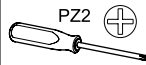
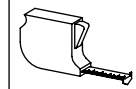
MS010

15

4x

249

5,0x7,0



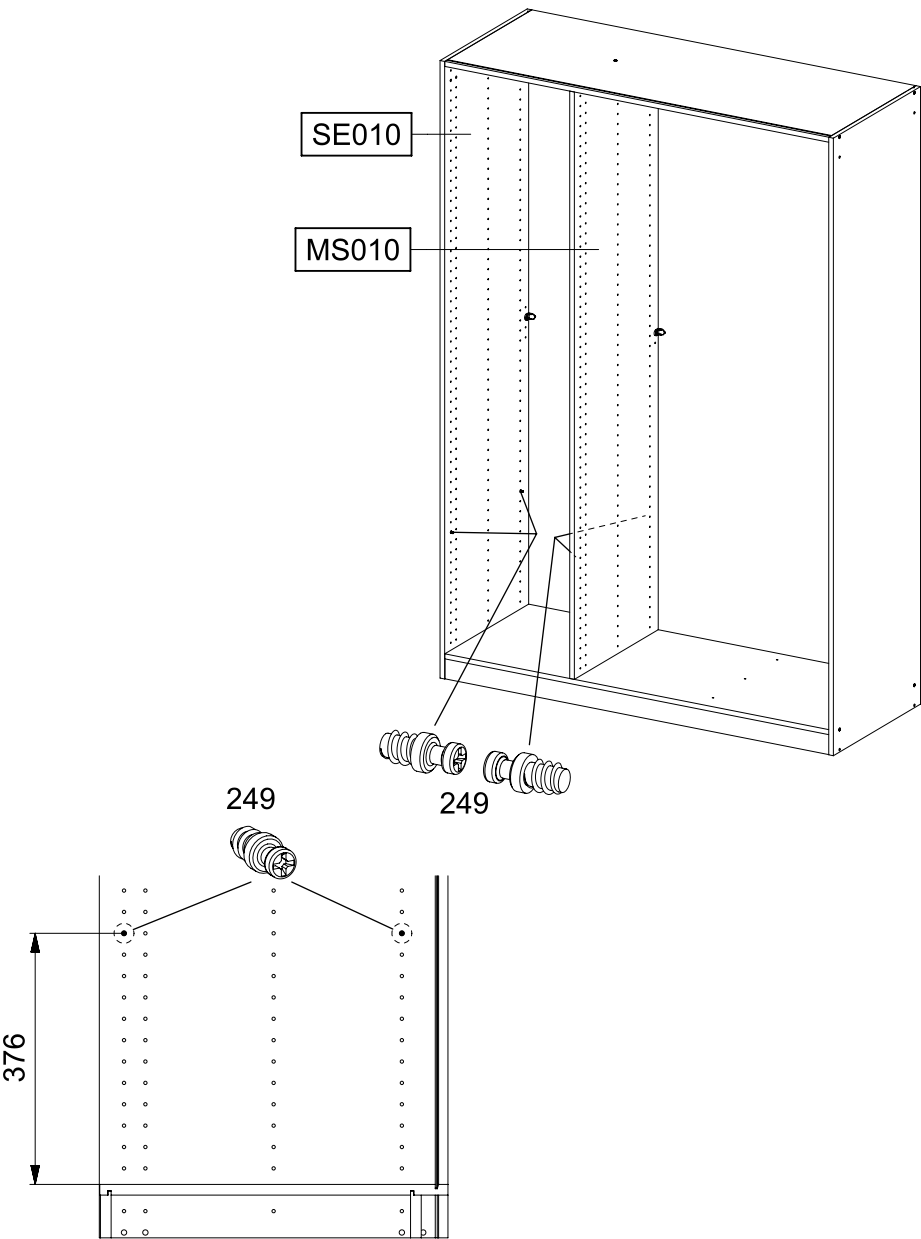
SE010

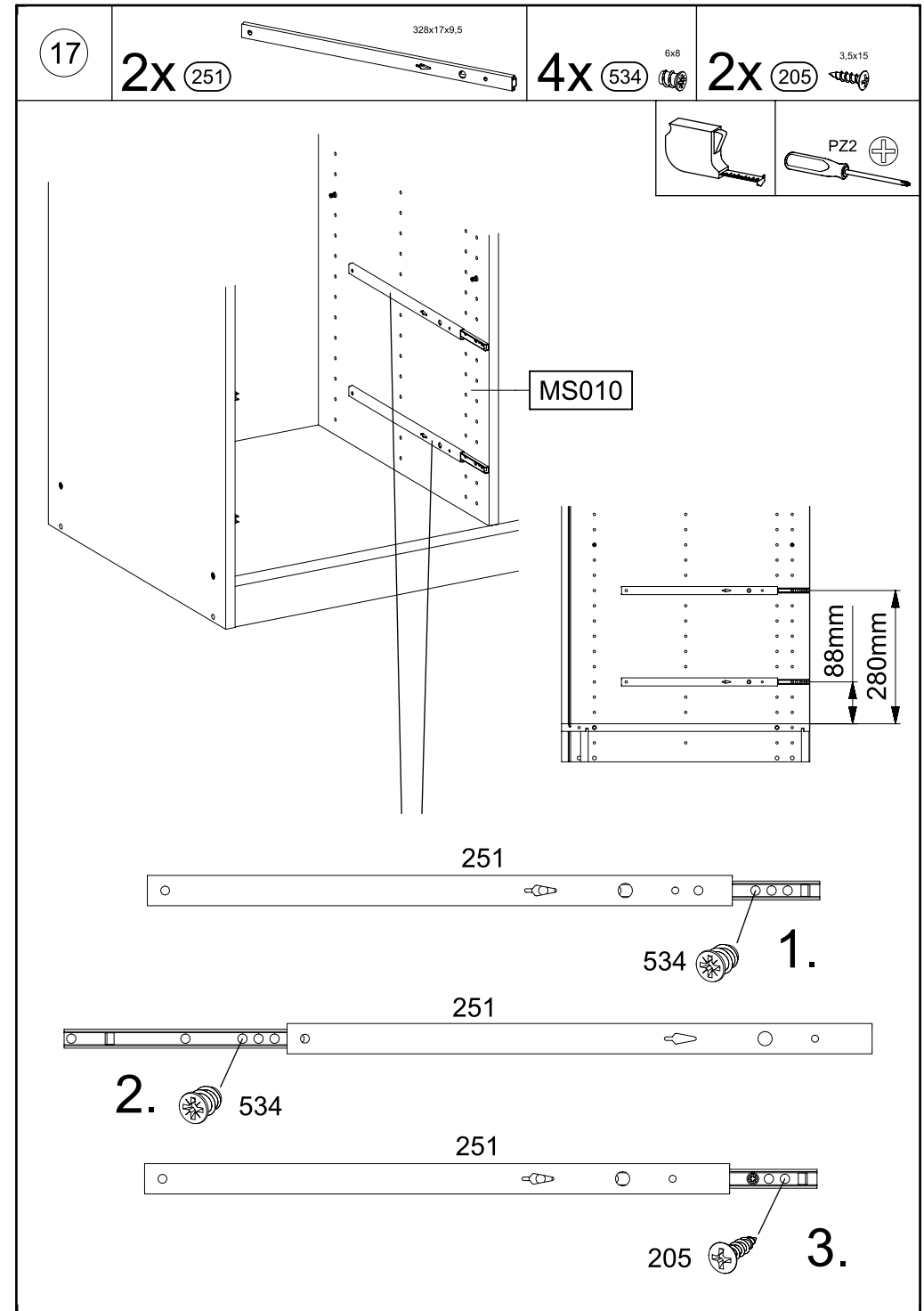
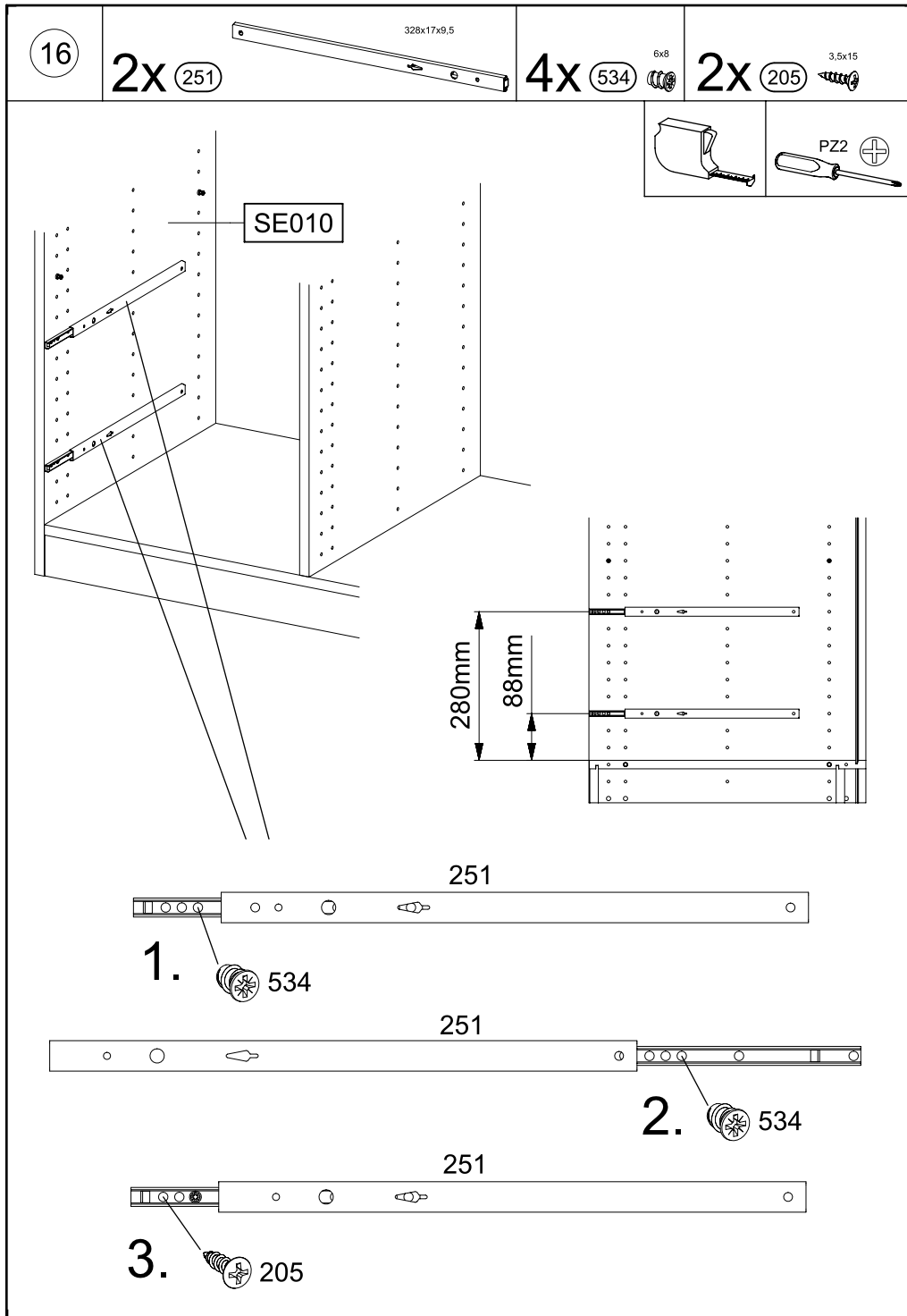
MS010

249

249

376

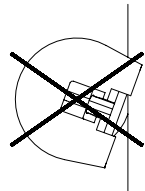
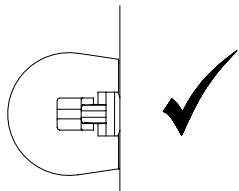
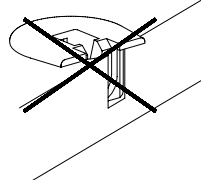
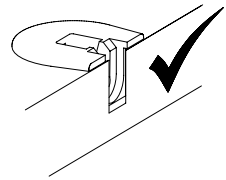
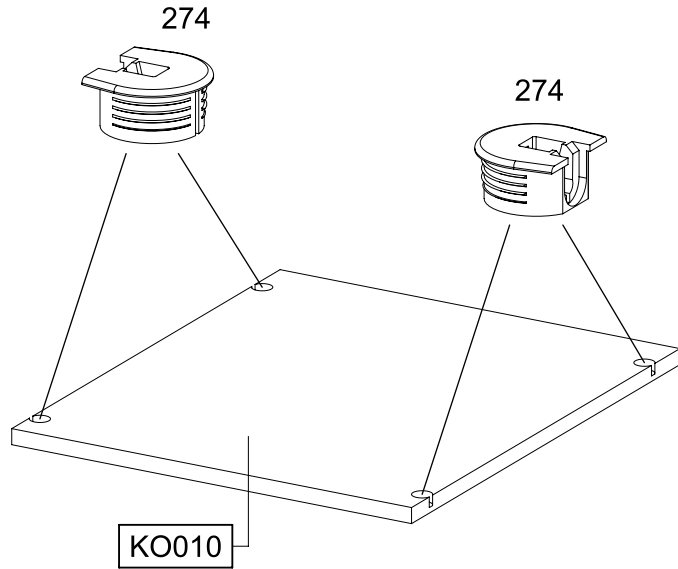
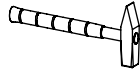




18

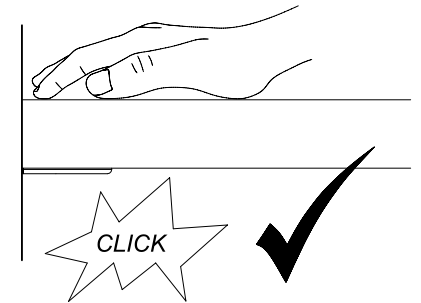
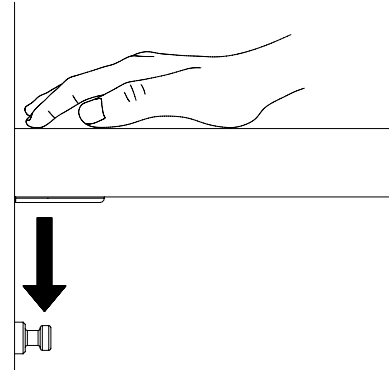
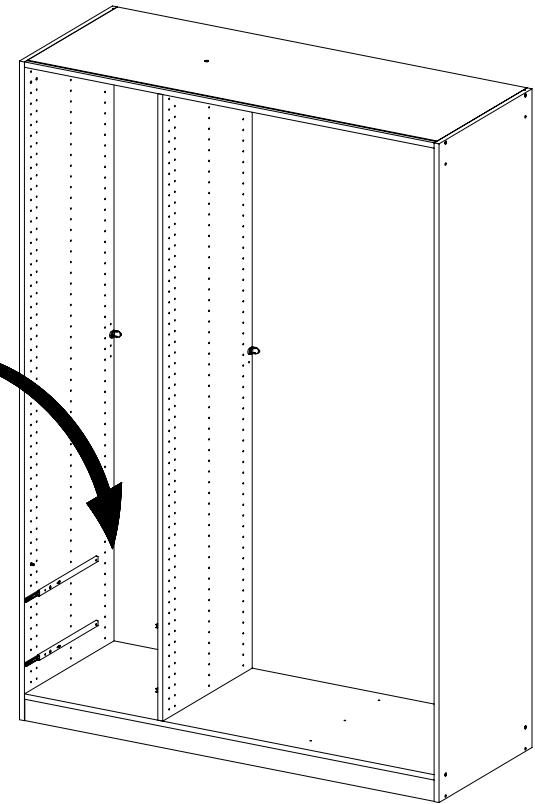
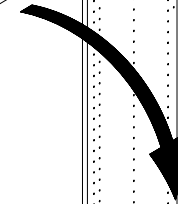
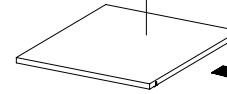
4x

274



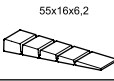
19

KO010

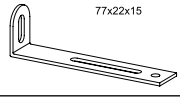


20

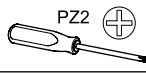
2x 12



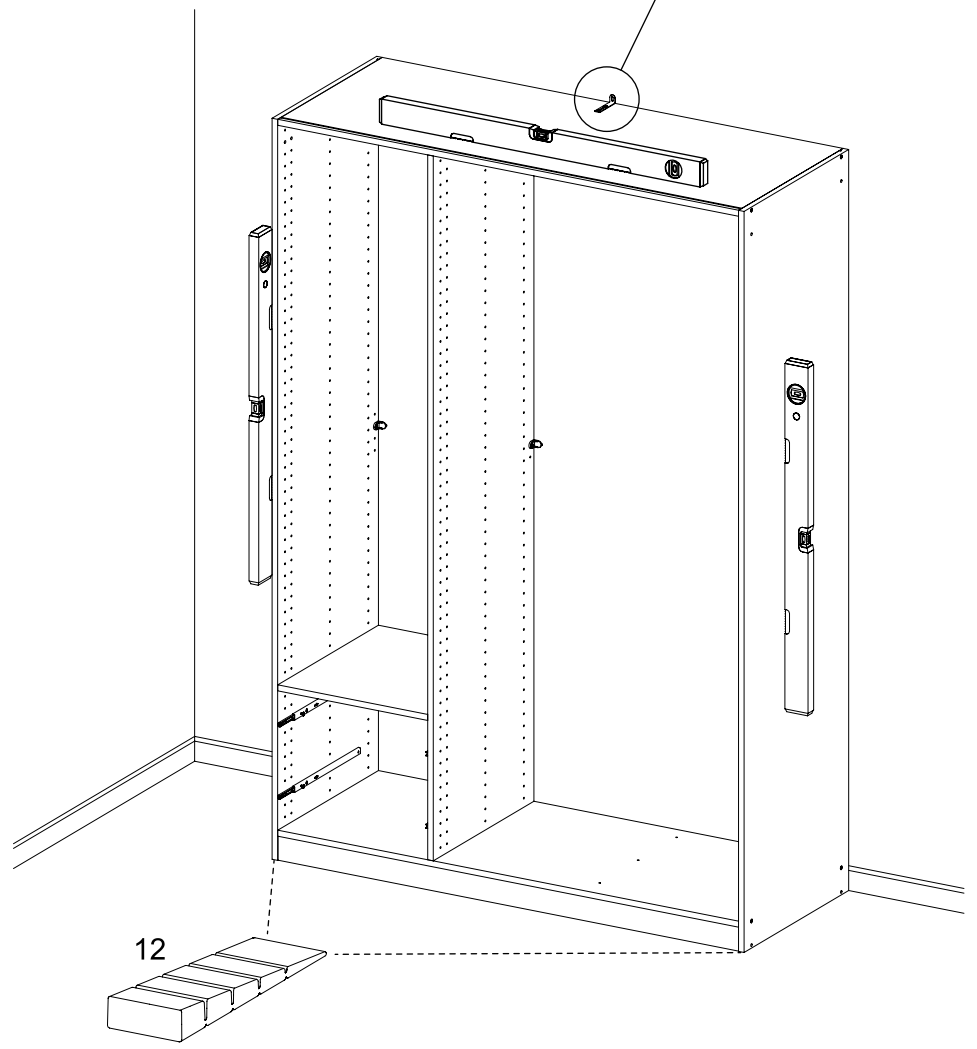
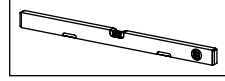
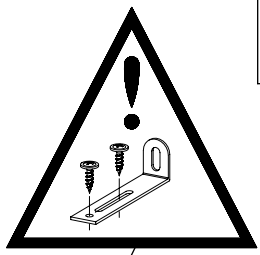
1x 68



2x 201

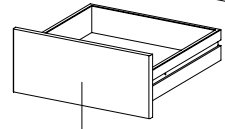
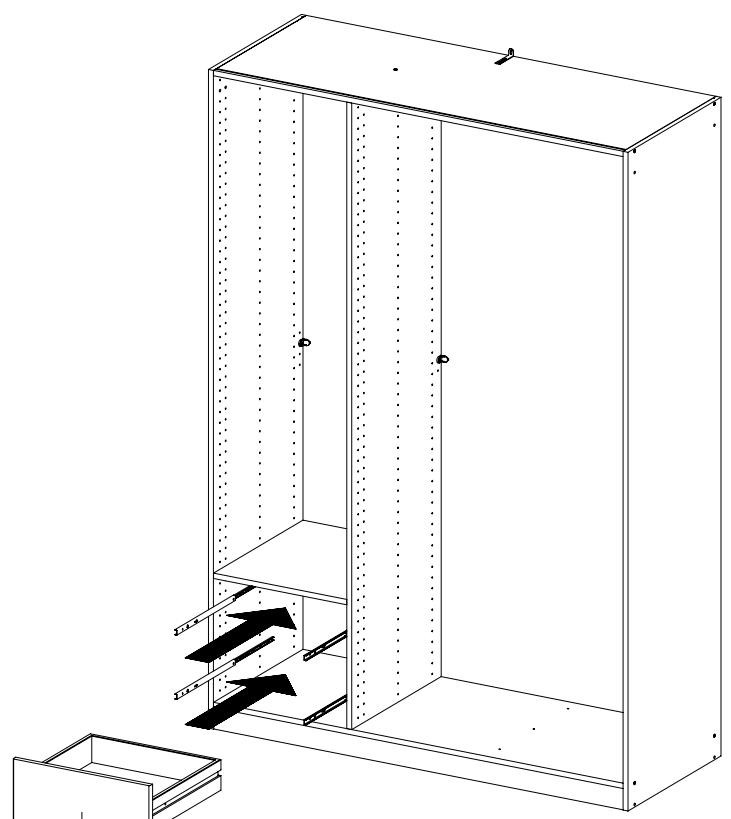
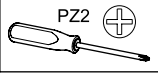


SCAN ME



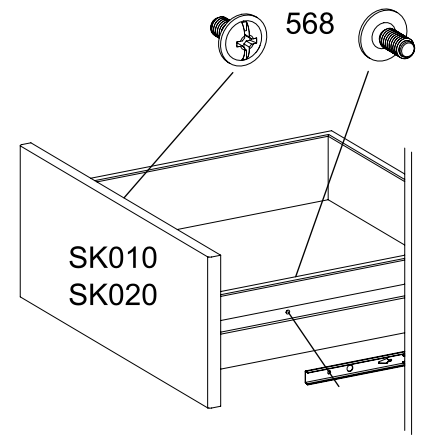
21

4x 568



SK010

SK020

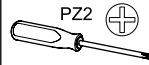
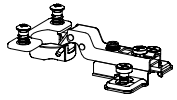


SK010  
SK020

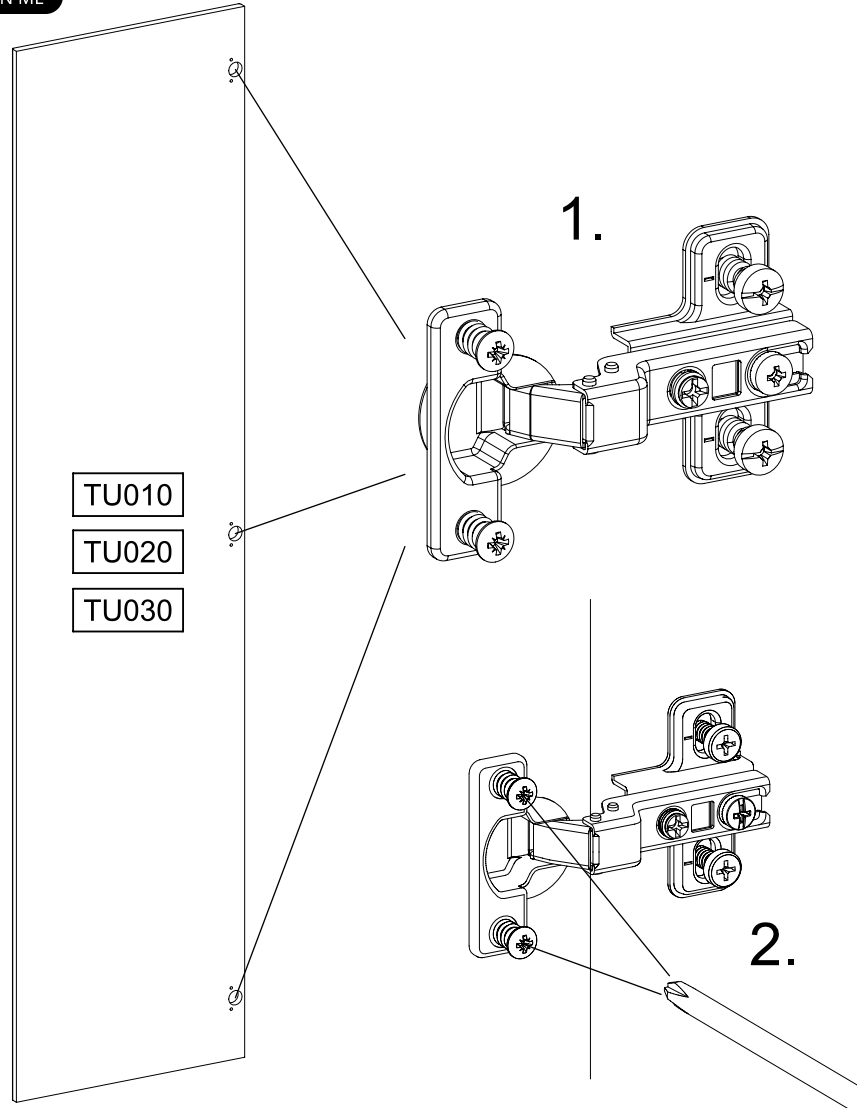
568

22

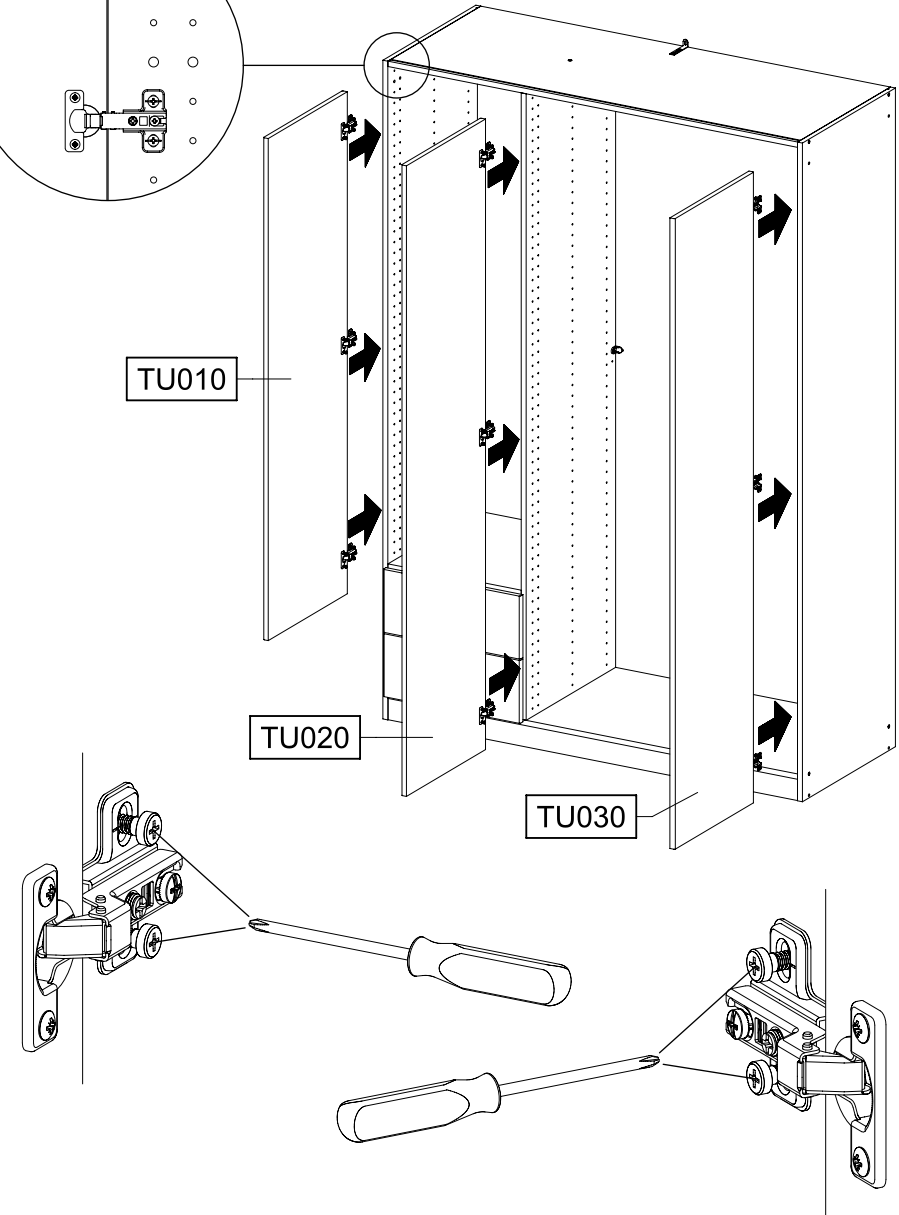
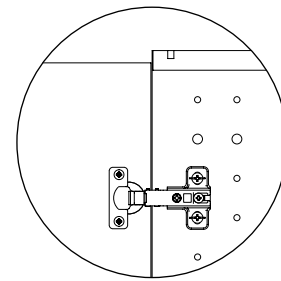
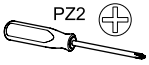
9x 116



SCAN ME



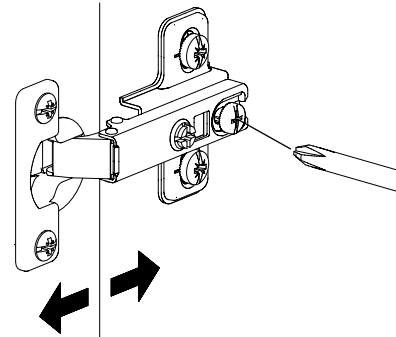
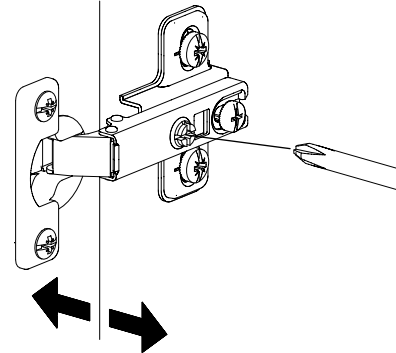
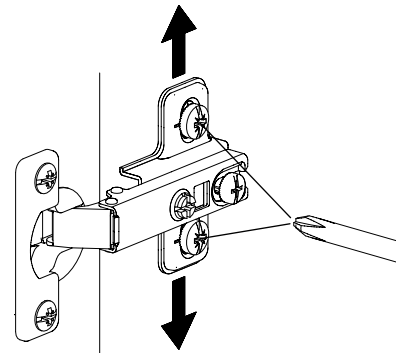
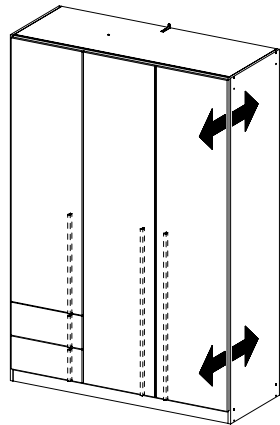
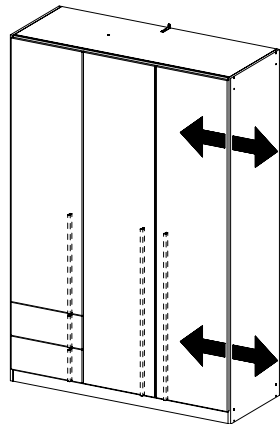
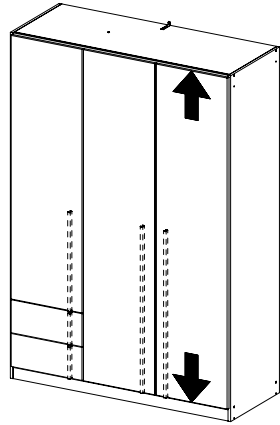
23



24



SCAN ME



25

1x RE010

