

1



D1

4

∅8x30mm

∅15/12mm



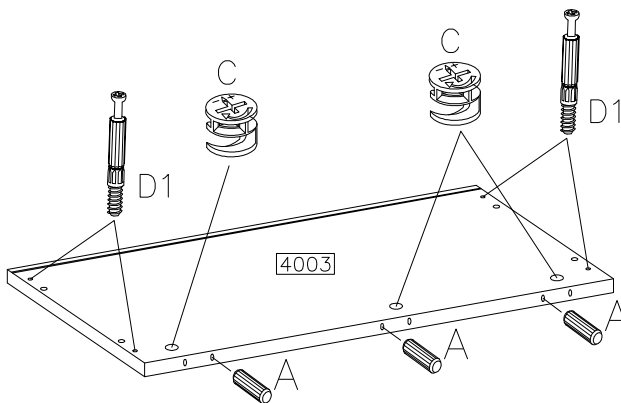
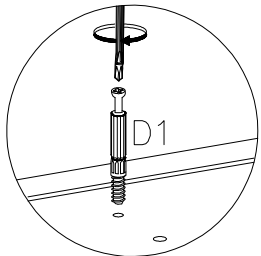
A



C

3

3



2

∅8x30mm



A

13

∅15/12mm



C



J4

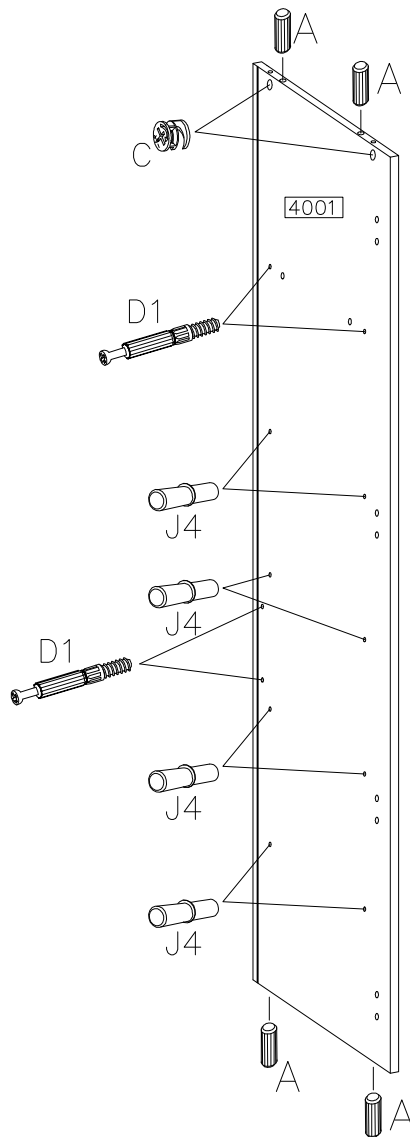
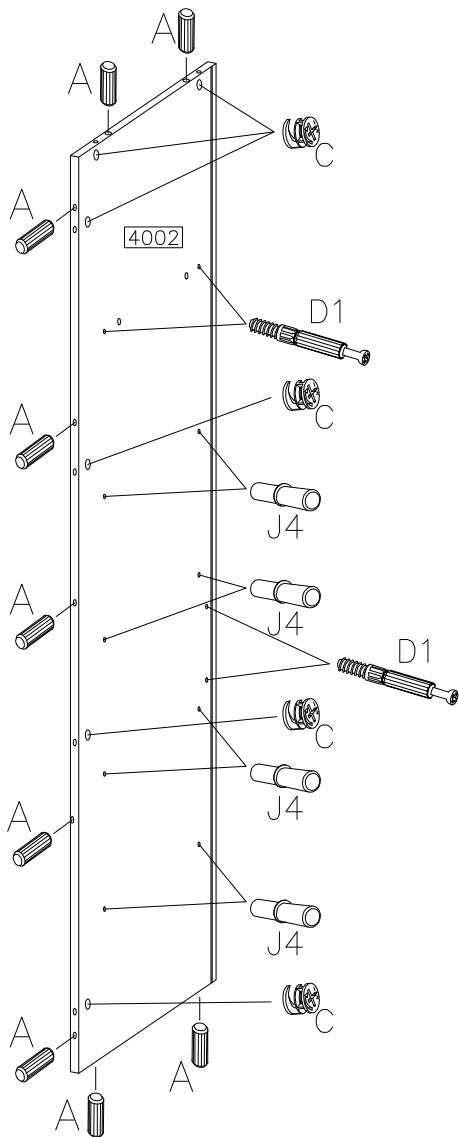
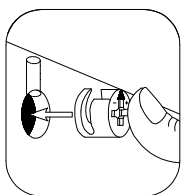
8

16



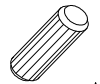
D1

8



3

∅8x30mm



A

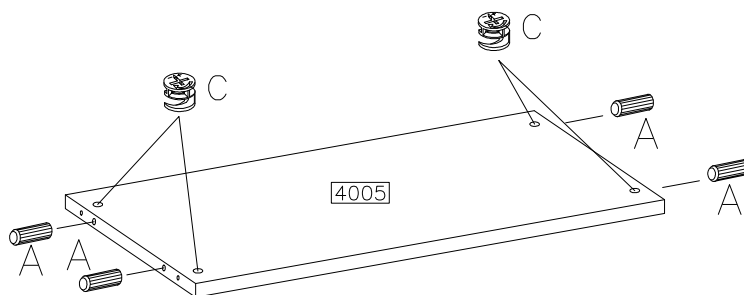
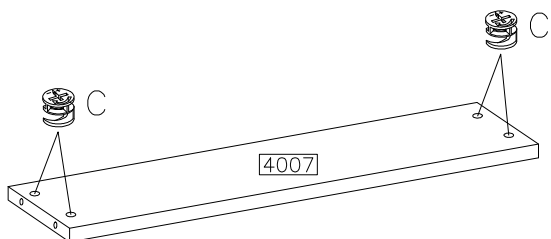
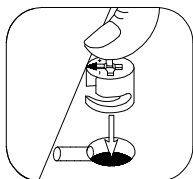
4

∅15/12mm

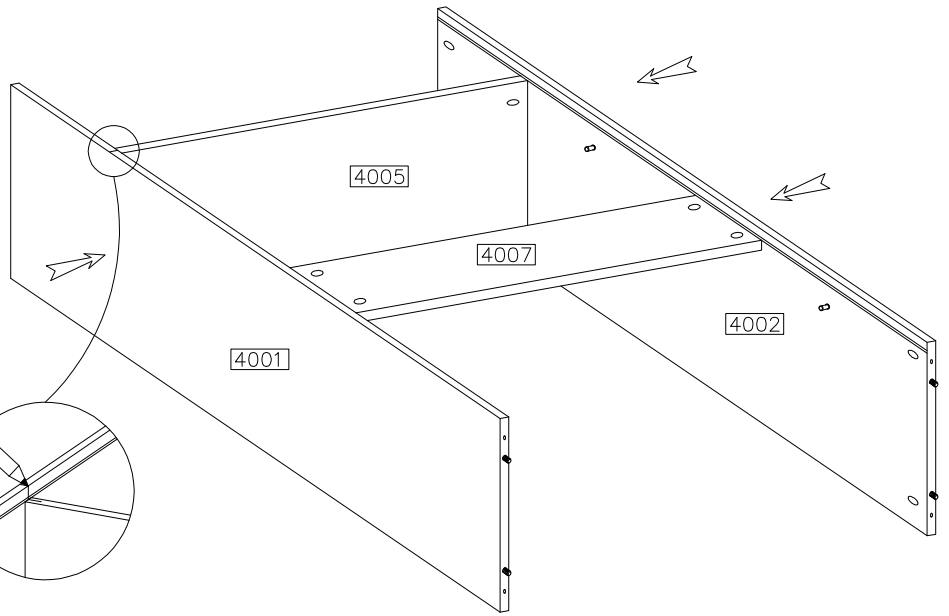
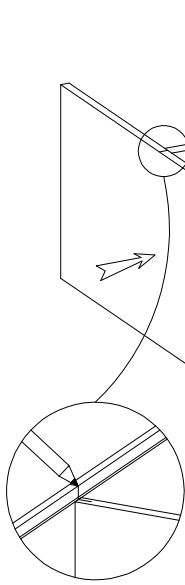
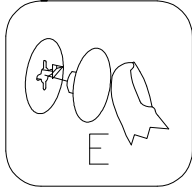
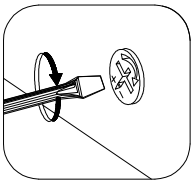
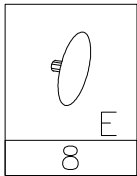


C

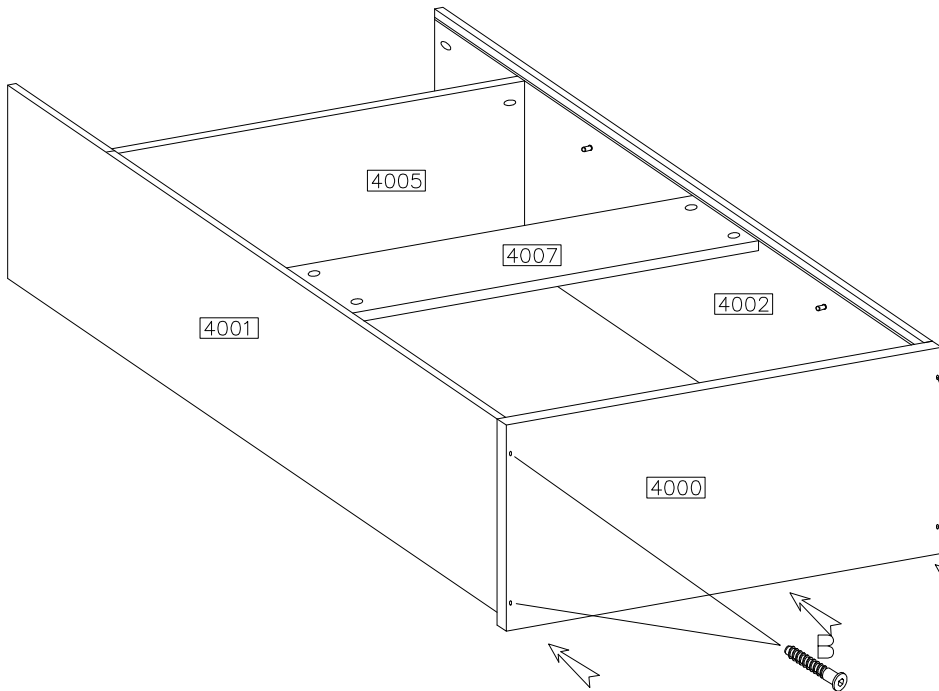
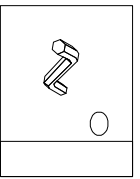
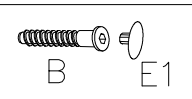
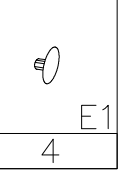
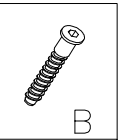
8



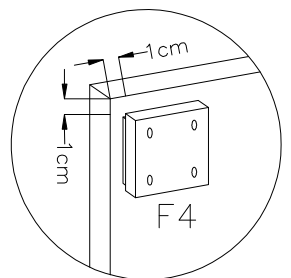
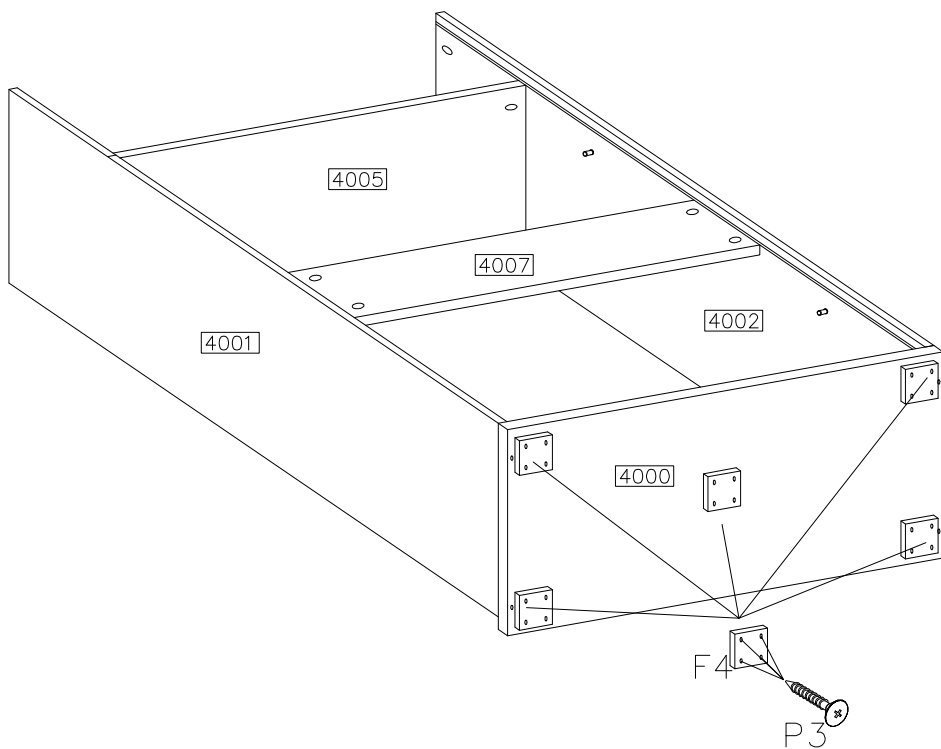
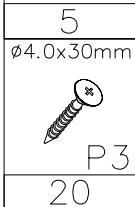
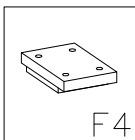
4



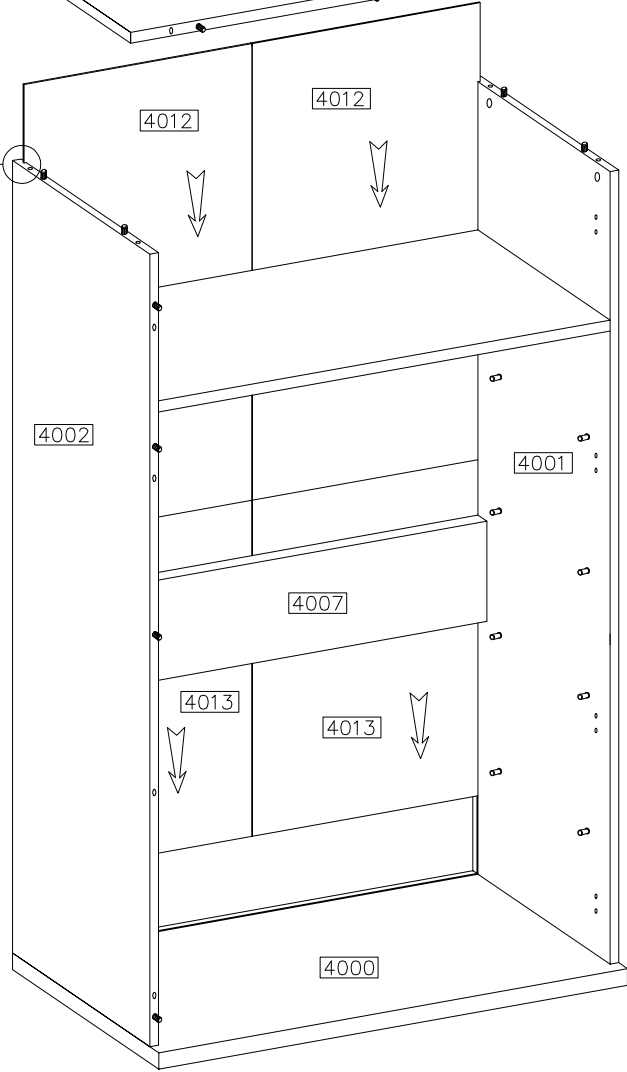
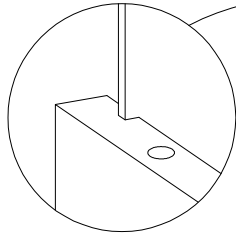
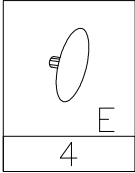
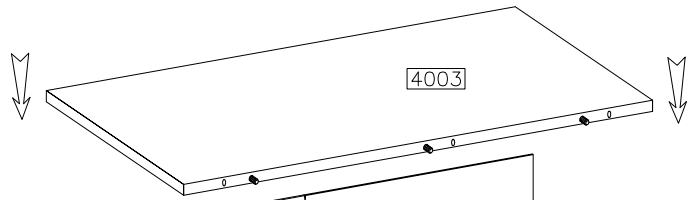
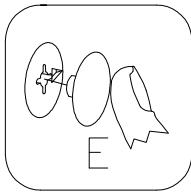
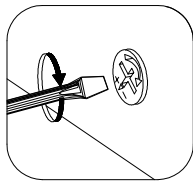
5



6



7



8

∅3.0x16mm

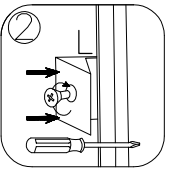
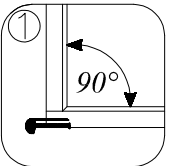
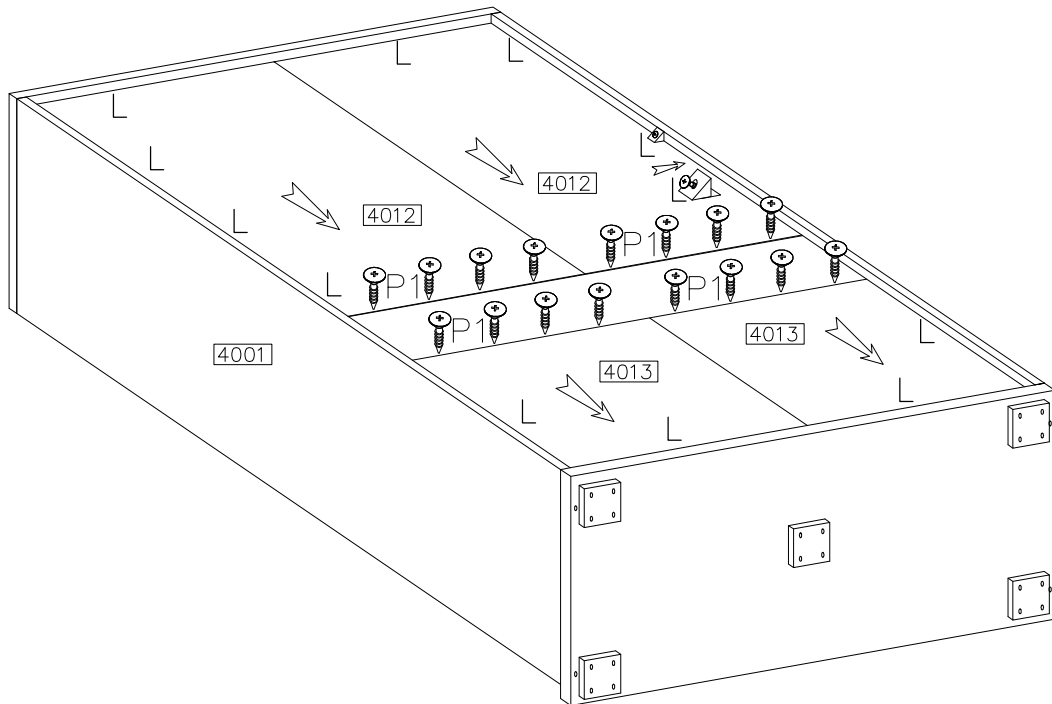


P1

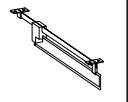

16

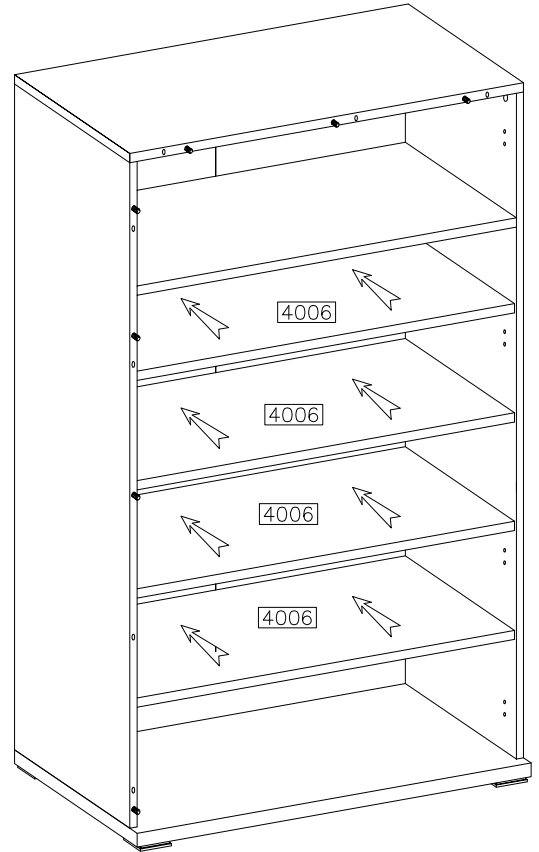
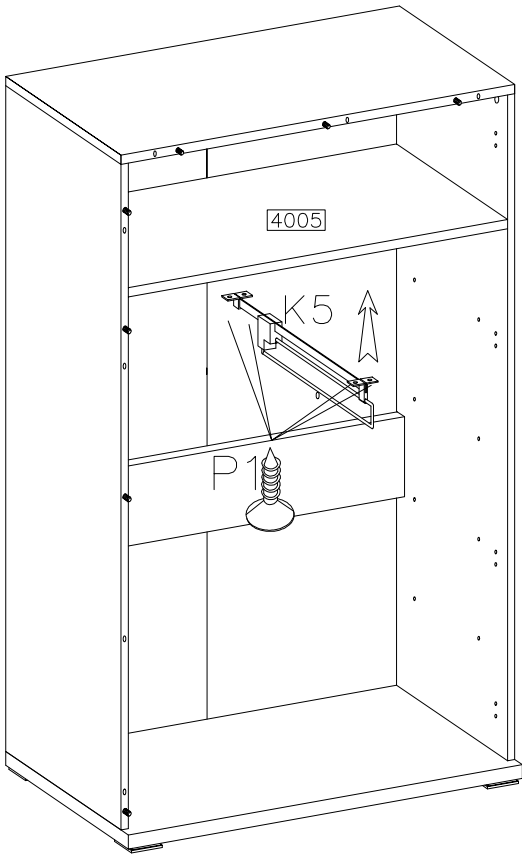


12


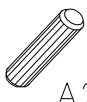




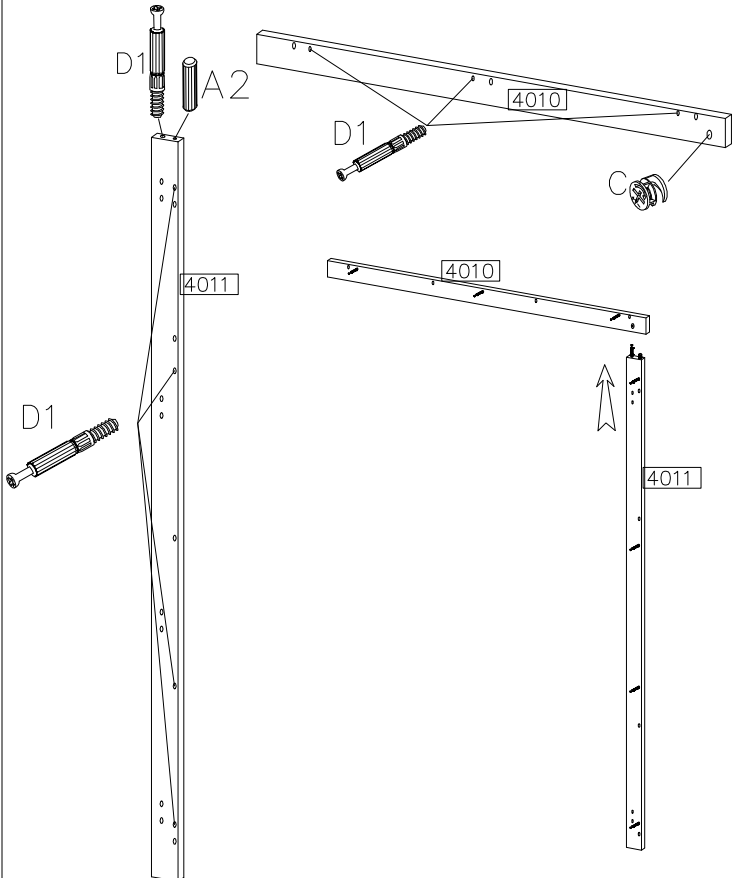
9

	$\varnothing 3.0 \times 16 \text{mm}$ 
K5	P1
1	4

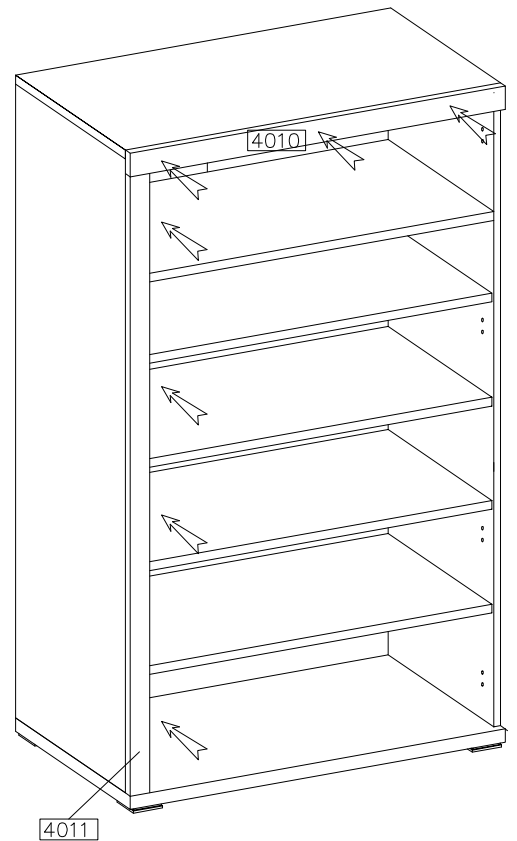
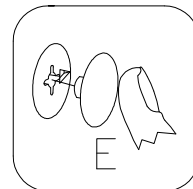
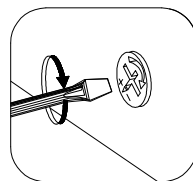
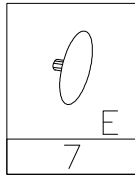


10


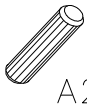

	$\varnothing 8 \times 40 \text{mm}$ 	$\varnothing 15 / 12 \text{mm}$ 	
D1	A2	C	E
8	1	1	1

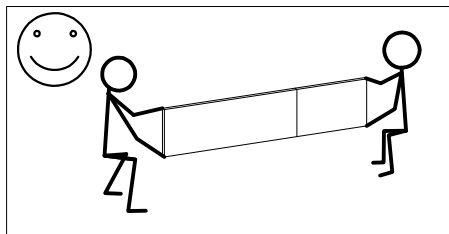
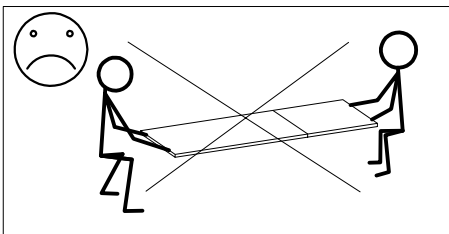
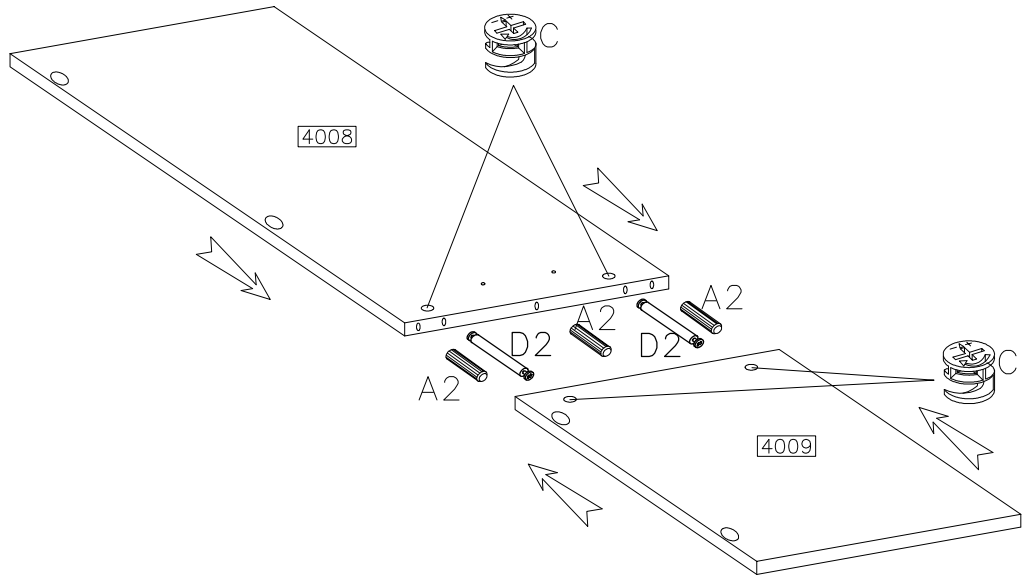


11




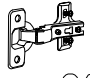
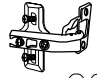


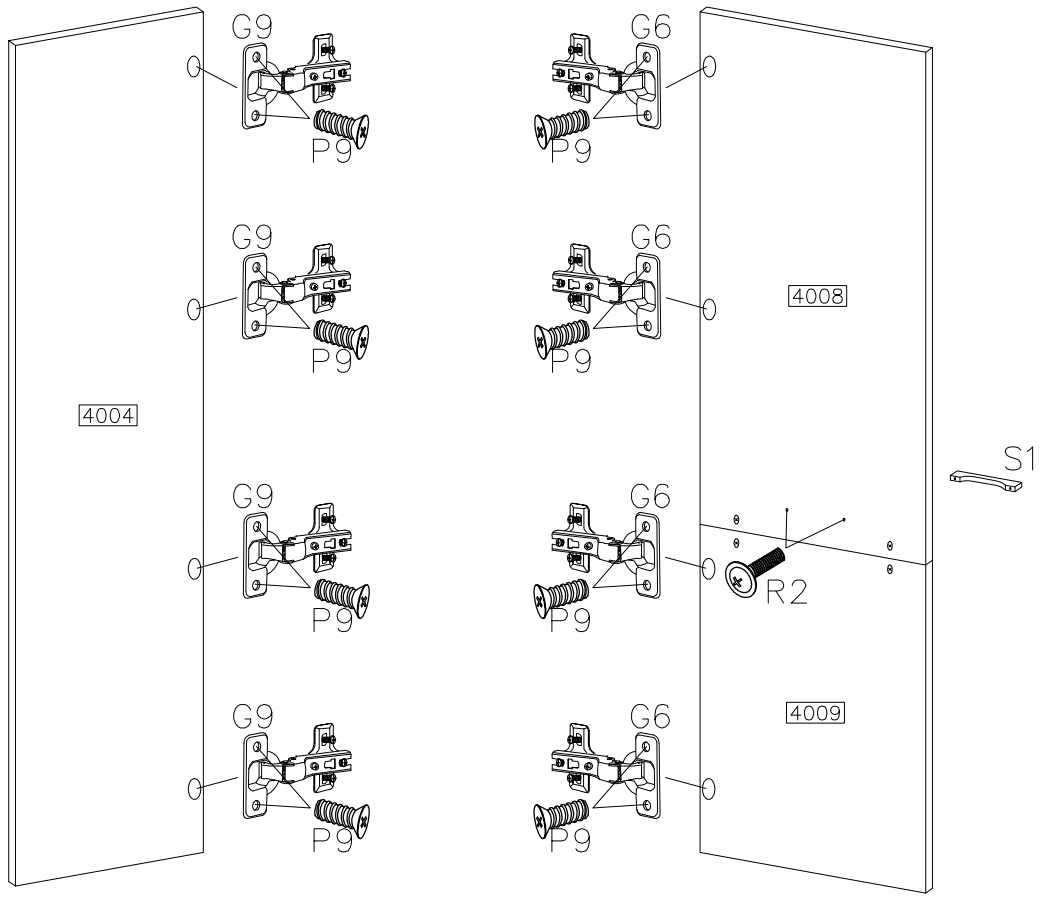
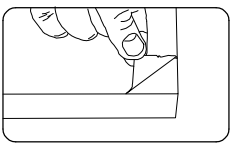
12

	D2
2	
$\varnothing 8 \times 40 \text{mm}$	
	A2
3	
$\varnothing 15 / 12 \text{mm}$	
	C
4	

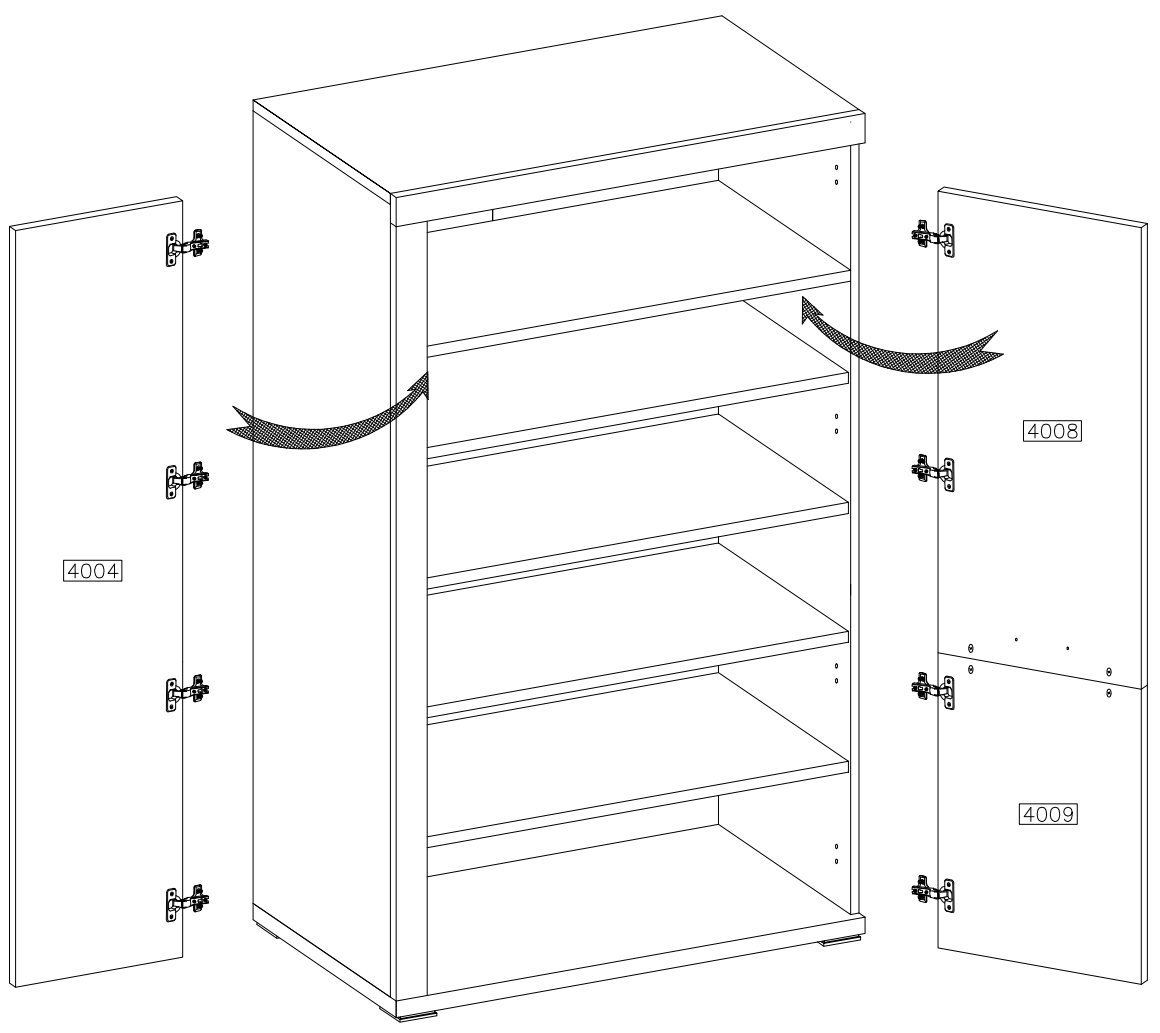
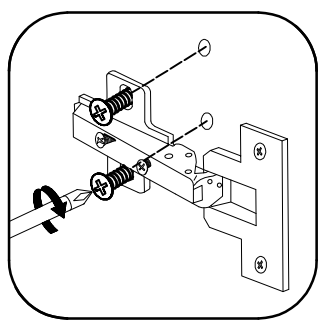


13

	5.0x13mm		P9
	16		
	M4.0x22mm		R2
1			
$\varnothing 35 / \text{KR}-0$	$\varnothing 35 / \text{KR}90$		
			
G6	G9		
4	4		



14



15

