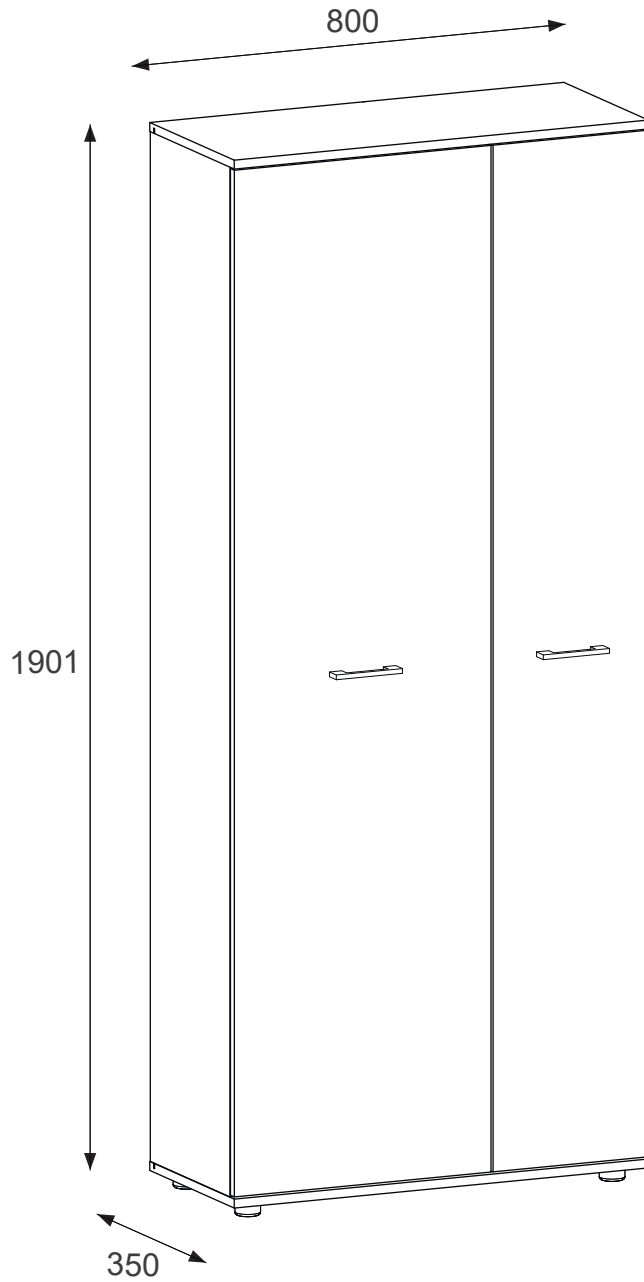
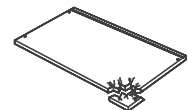
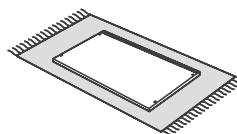
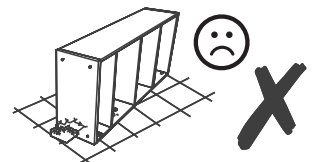
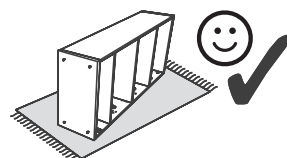
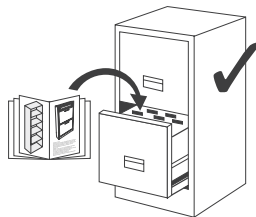
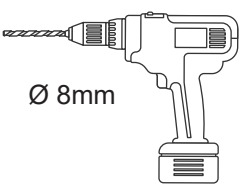
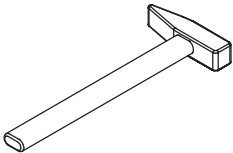
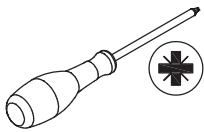
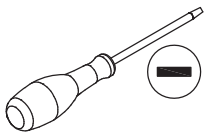
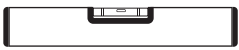
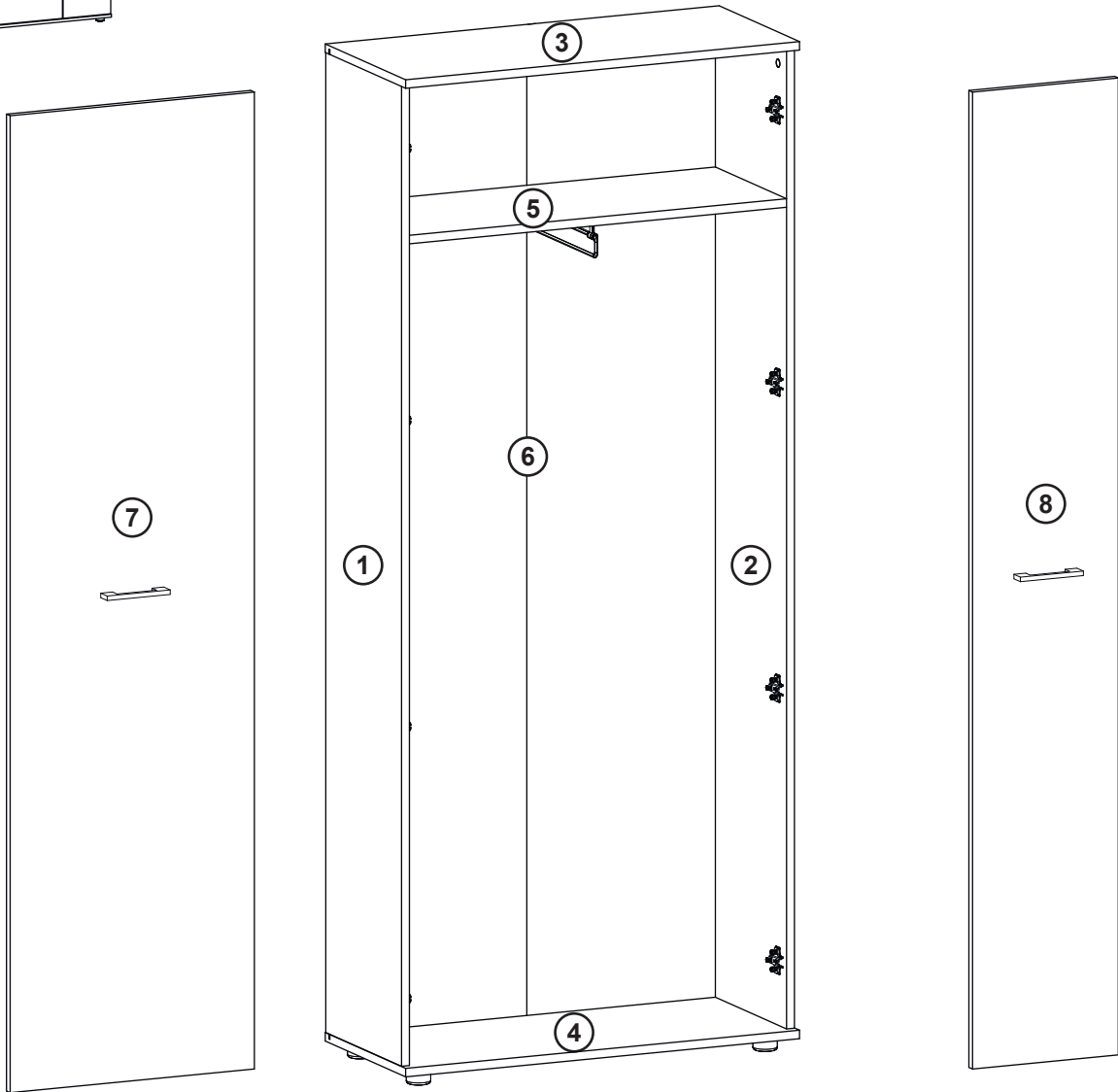
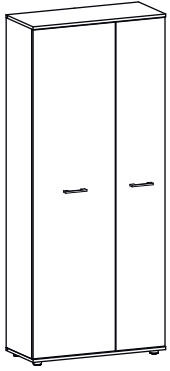


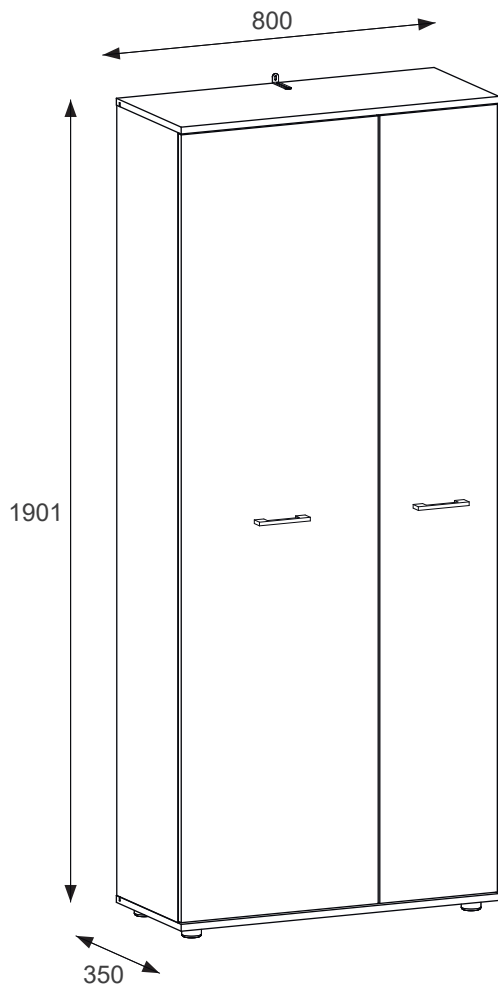


Modell **TYP A**



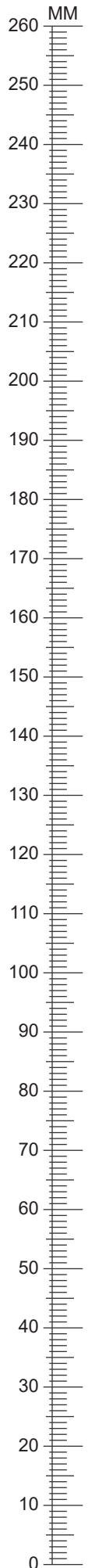


A	B (mm)		C
1	1844	330	1/2
2	1844	330	1/2
3	800	350	2/2
4	800	350	2/2
5	766	310	2/2
6	1857	780	1/2
7	1838	496	1/2
8	296	1838	1/2



1x		<b>z1</b>
4mm		
4x		<b>e27</b>
Ø 6,3x50mm		
8x		<b>r1</b>
Ø 15x12mm		
8x		<b>r23</b>
45mm		
1x		<b>u1</b>
L=300mm		
1x		<b>n14/2</b>
L=75x25x15mm		

8x		<b>a1</b>	8x		<b>b1</b>	8x		<b>s1</b>
Ø 35mm			40x50x12mm			Ø 20mm		
14x		<b>l2</b>	4x		<b>k43</b>	1x		<b>y1</b>
10x10x15mm			25x45x45mm			Ø 8x50mm		
4x		<b>p21</b>	4x		<b>p23</b>	4x		<b>p26</b>
Ø 4,2x16mm			Ø 4x25mm			Ø 4x25mm		
6x		<b>p50</b>	16x		<b>p51</b>	1x		<b>p60</b>
Ø 3x16mm			Ø 3,5x16mm			Ø 5x50mm		
2x		<b>c238</b>	12x		<b>f1</b>			
L=96/128mm			Ø 8x30mm					



# 1

f1 x 12



Ø 8x30mm

r1 x 8



Ø 15x12mm

r23 x 8



45mm

b1 x 8



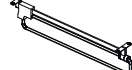
40x50x12mm

p50 x 4

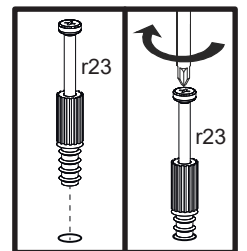
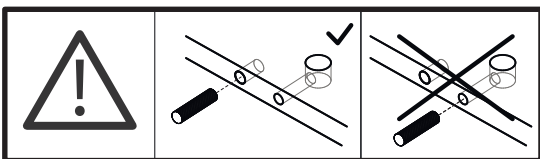
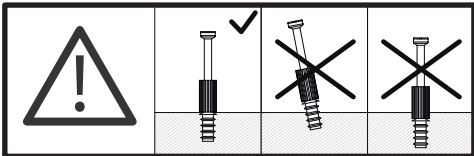
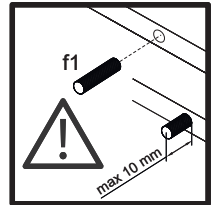
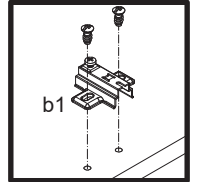
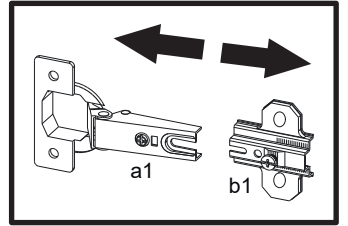
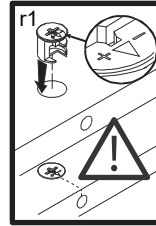
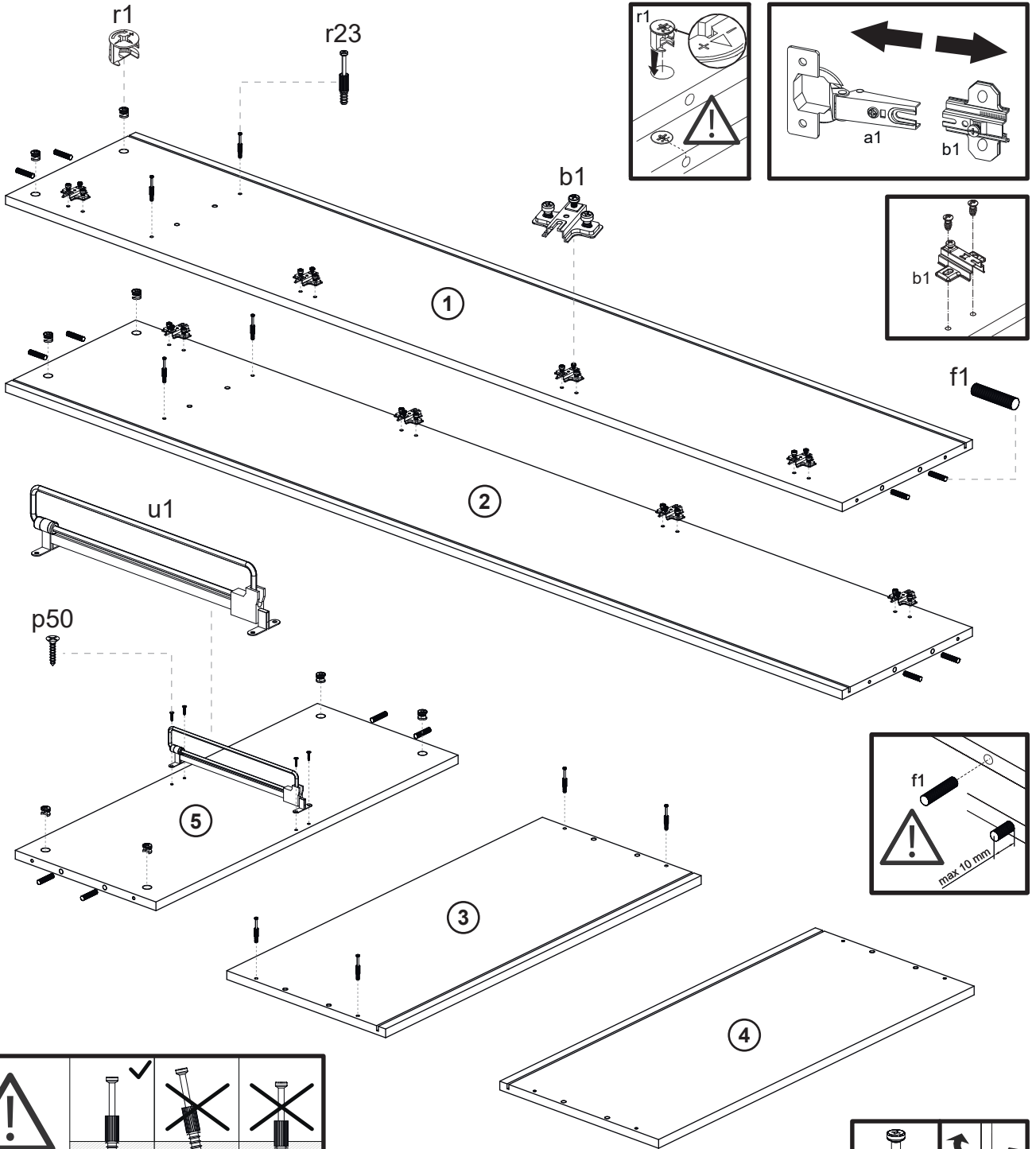


Ø 3x16mm

u1 x 1



L=300mm

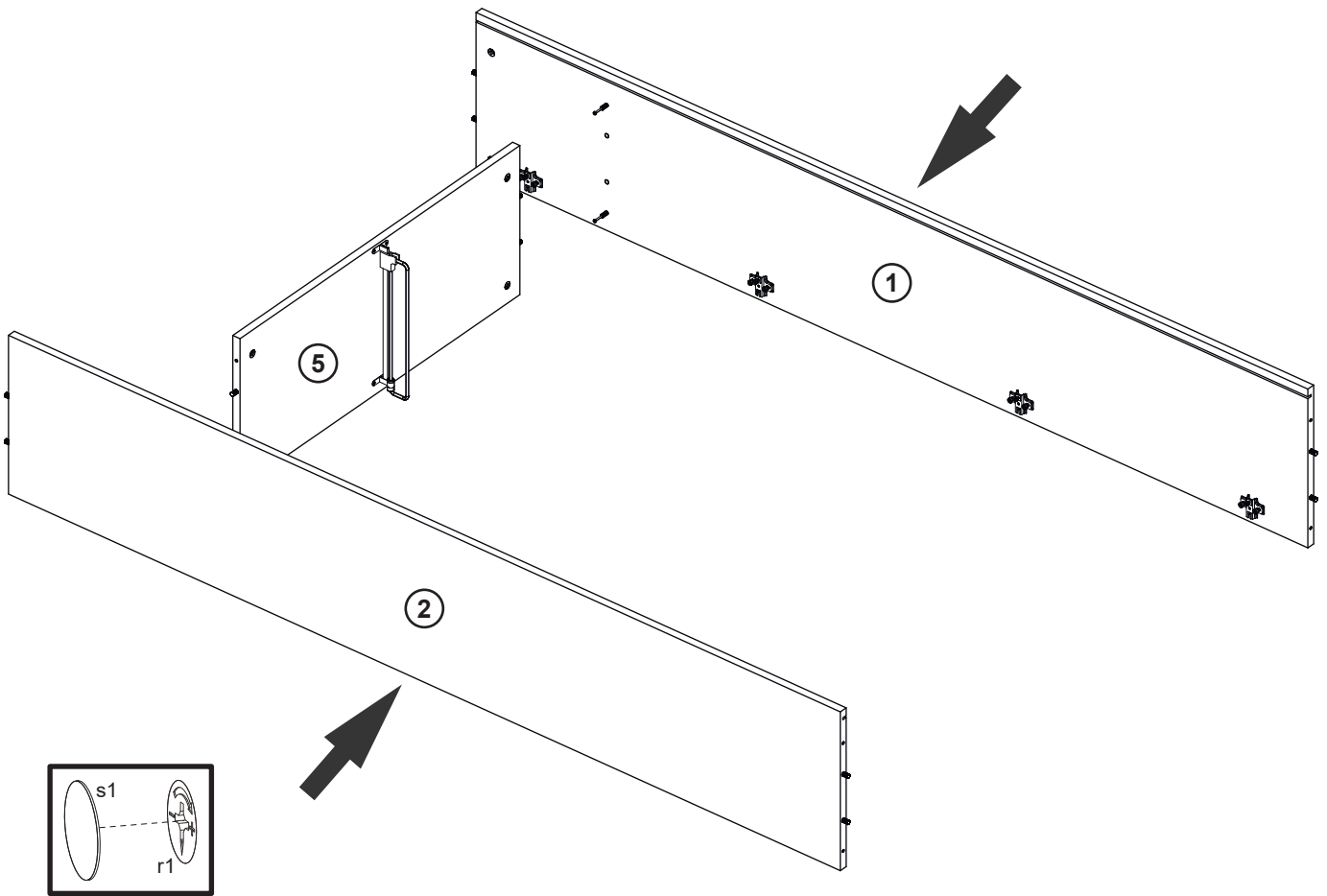
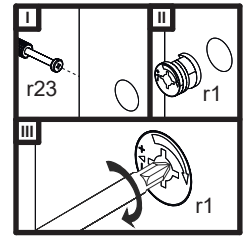


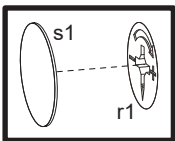
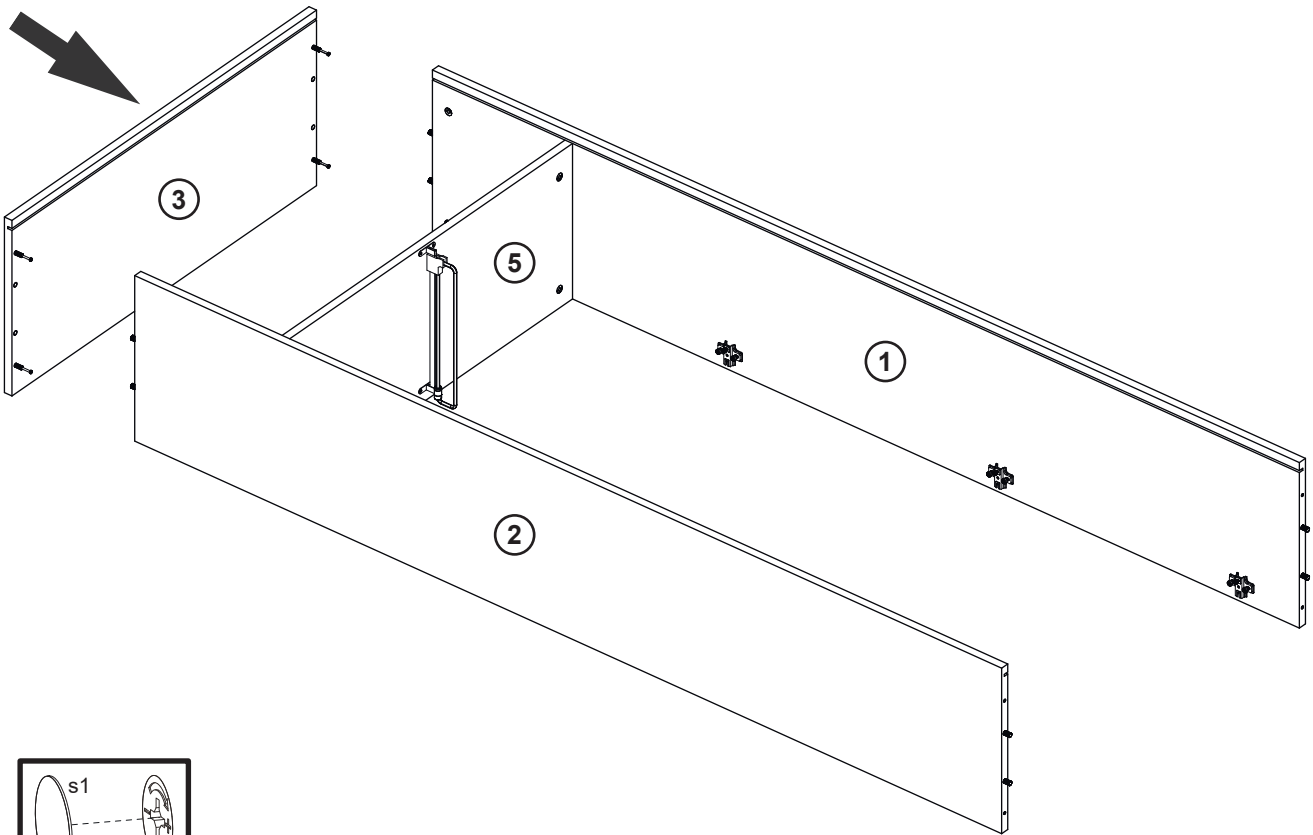
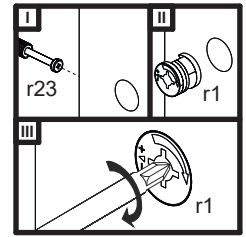
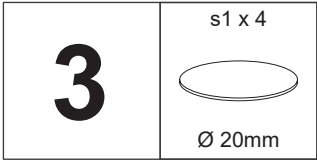
# 2

s1 x 4

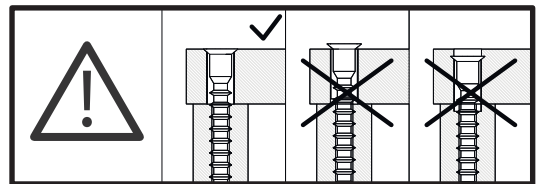
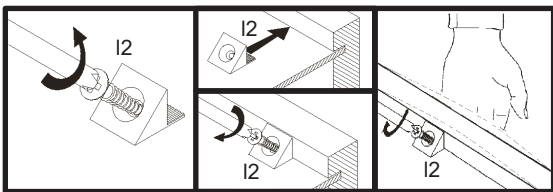
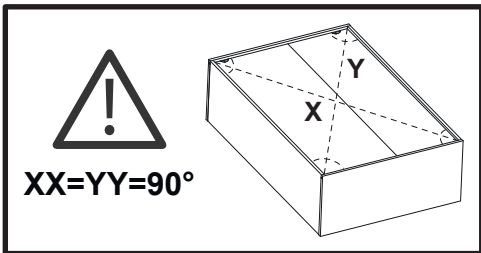
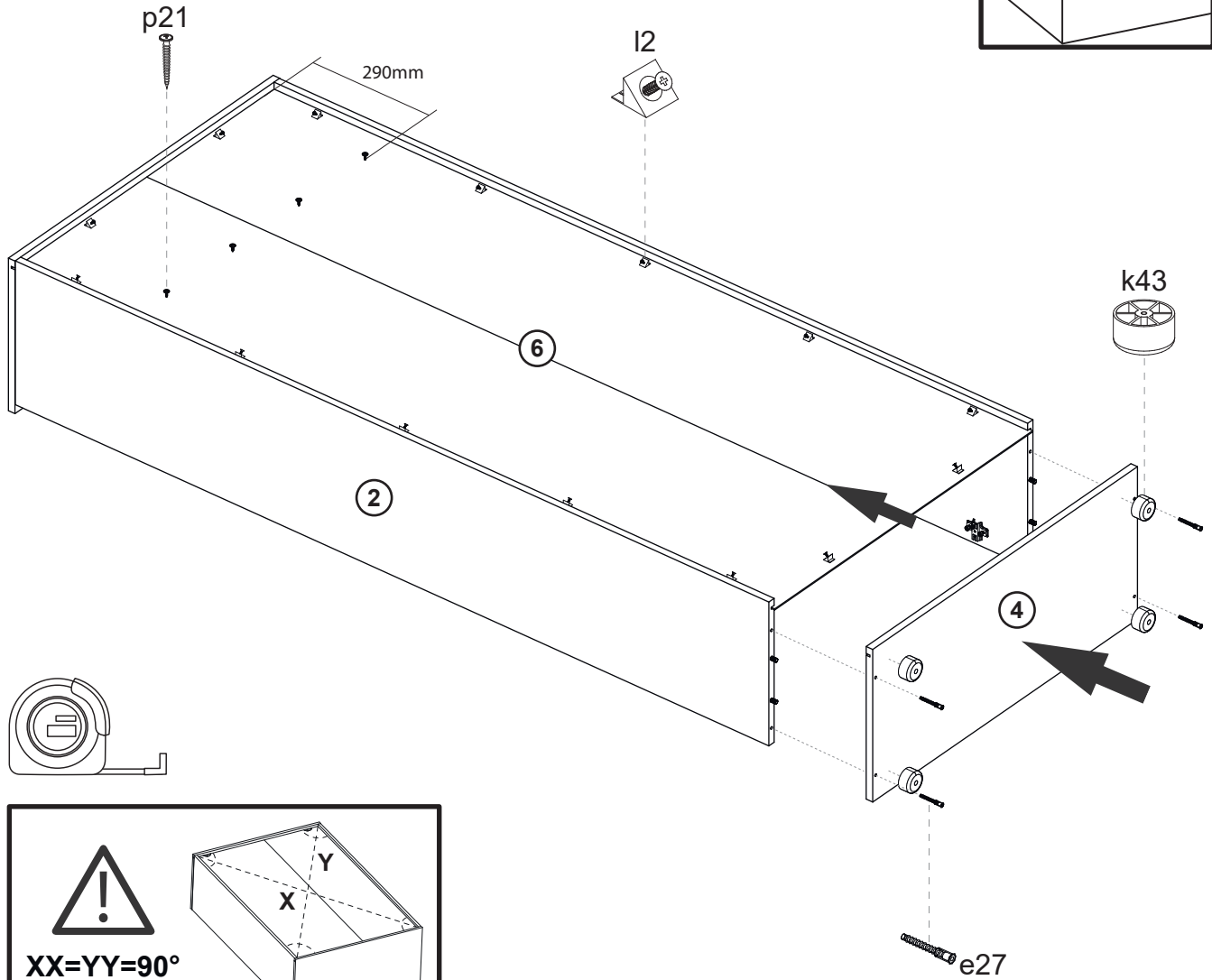
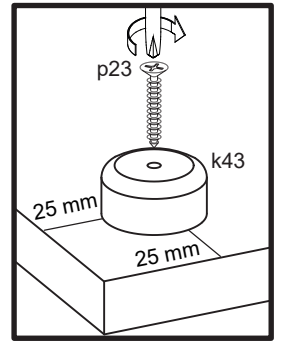
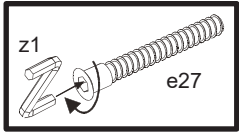


Ø 20mm





<b>4</b>	e27 x 4	z1 x 1	l2 x 14	k43 x 4	p23 x 4	p21 x 4
	Ø 6,3x50mm	4mm	10x10x15mm	25x45x45mm	Ø 4x25mm	Ø 4,2x16mm



# 5

p26 x 4



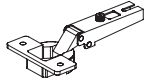
Ø 4x25mm

p51 x 16



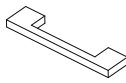
Ø 3,5x16mm

a1 x 8

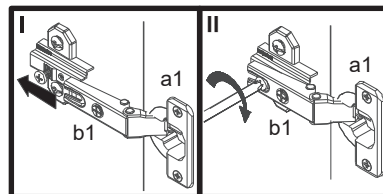
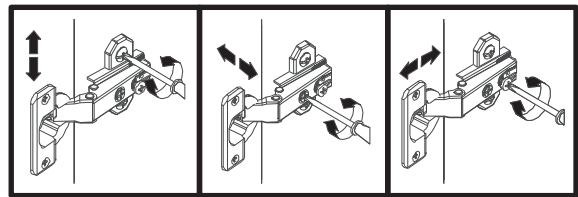
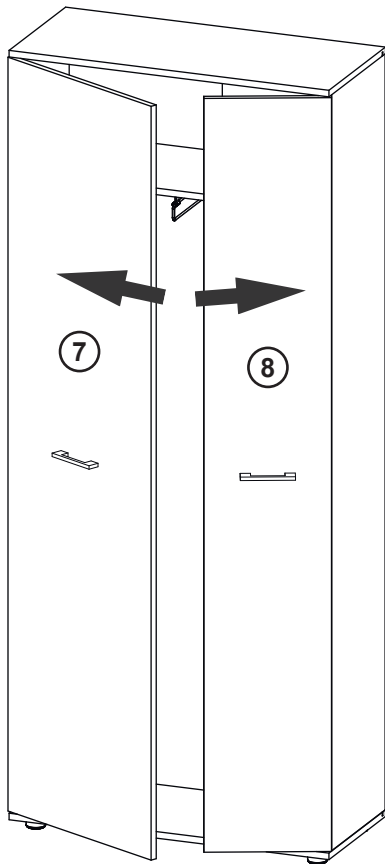
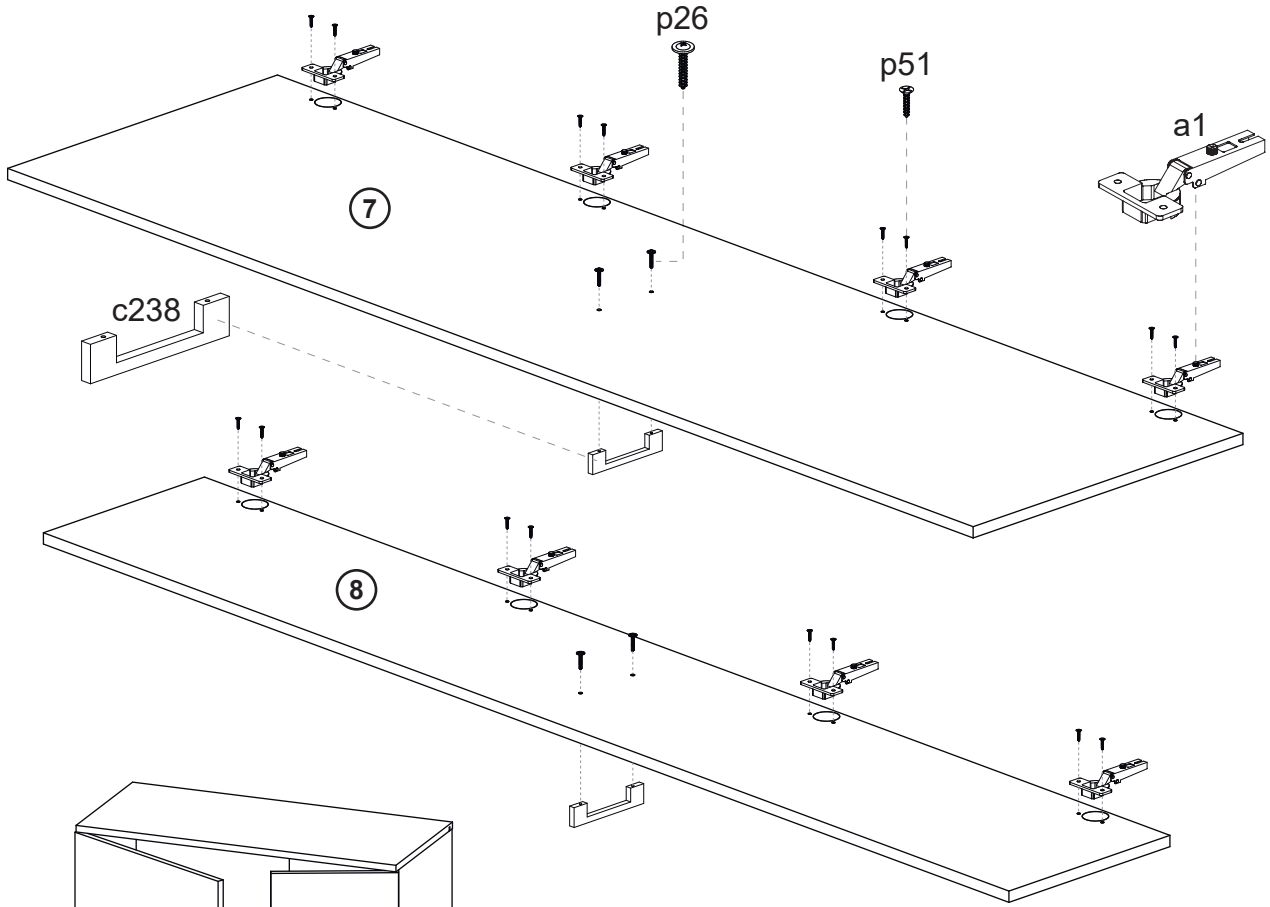


Ø 35mm

c238 x 2



L=96/128mm





# 6

p60 x 1



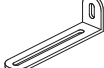
Ø 5x50mm

y1 x 1



Ø 8x50mm

n14/2 x 1

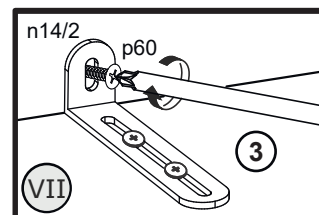
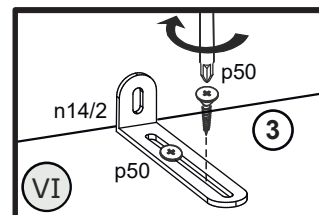
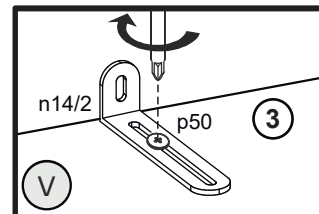
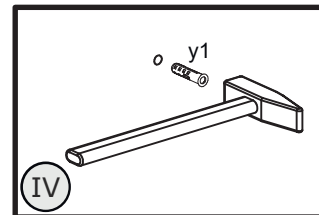
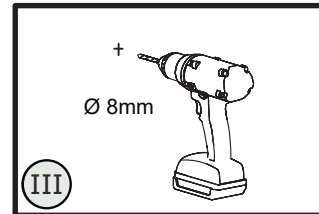
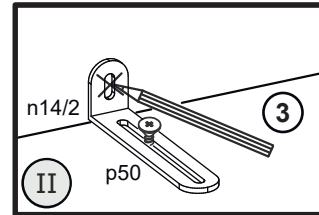
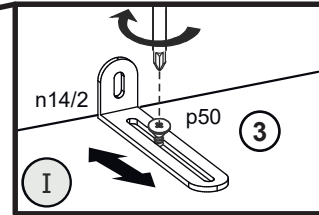
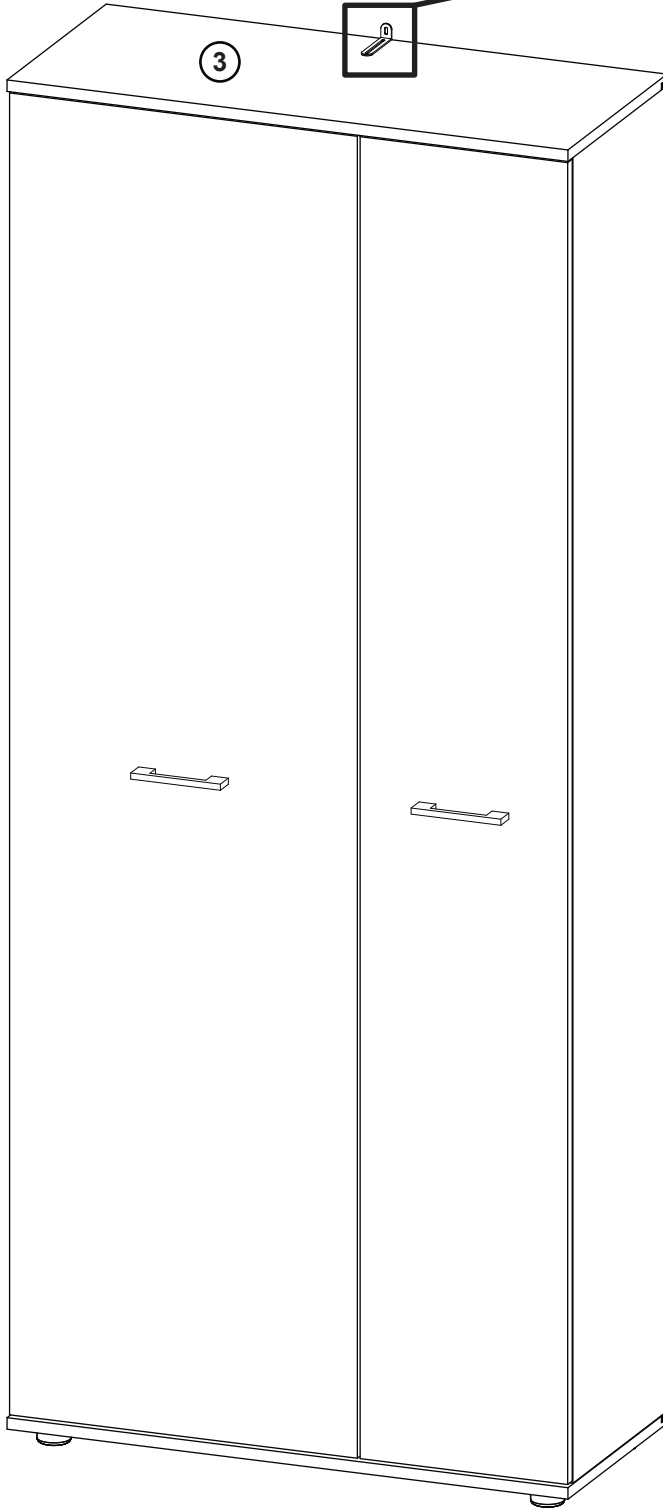


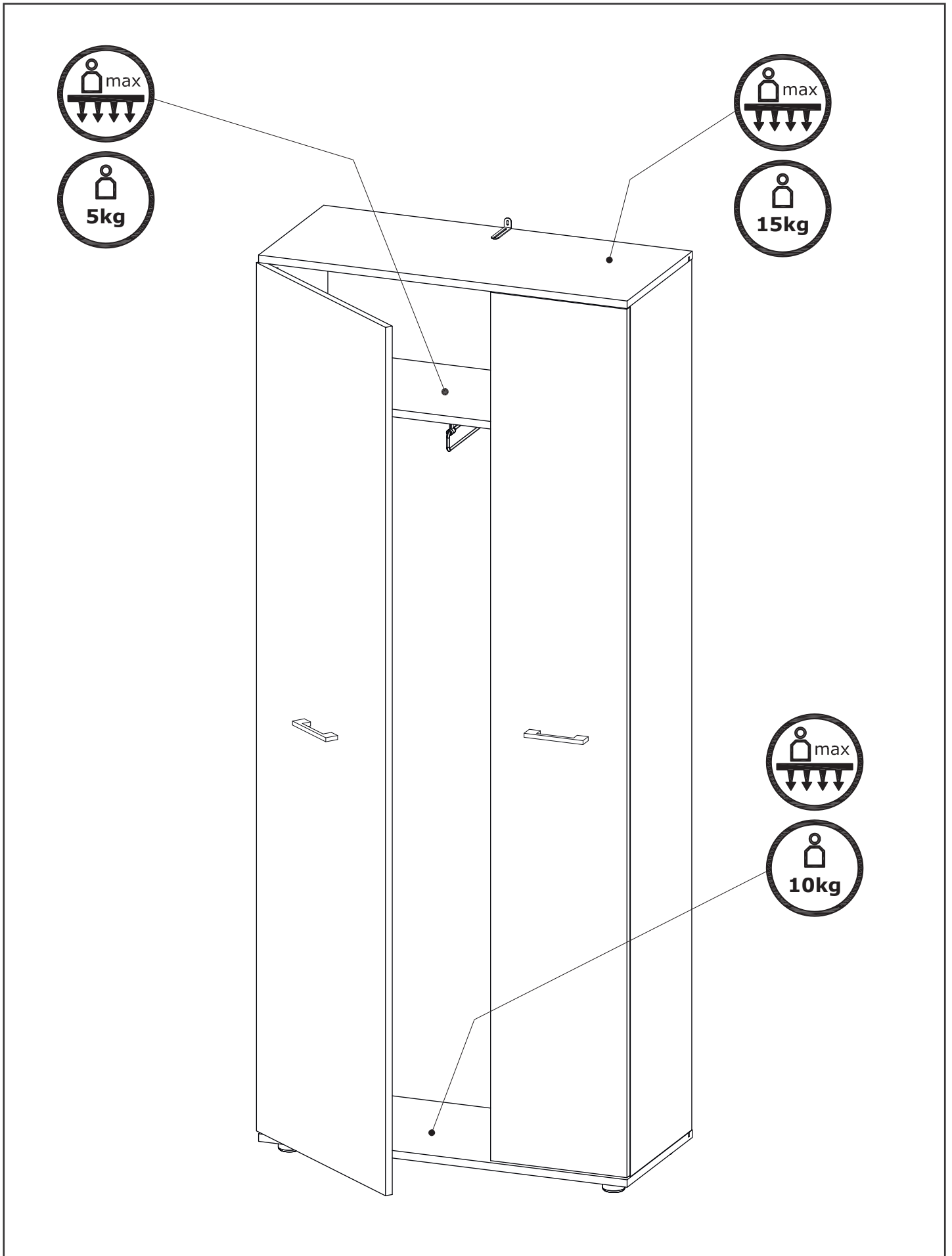
L=75x25x15mm

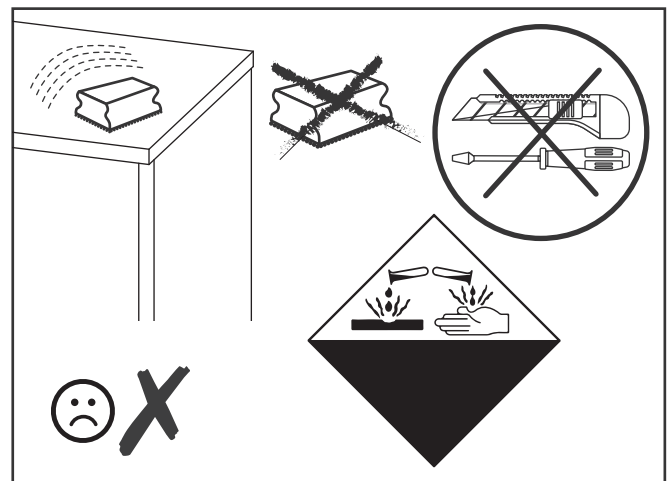
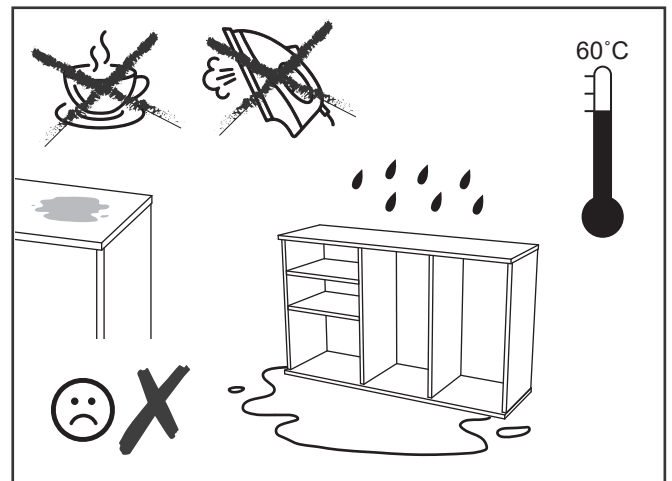
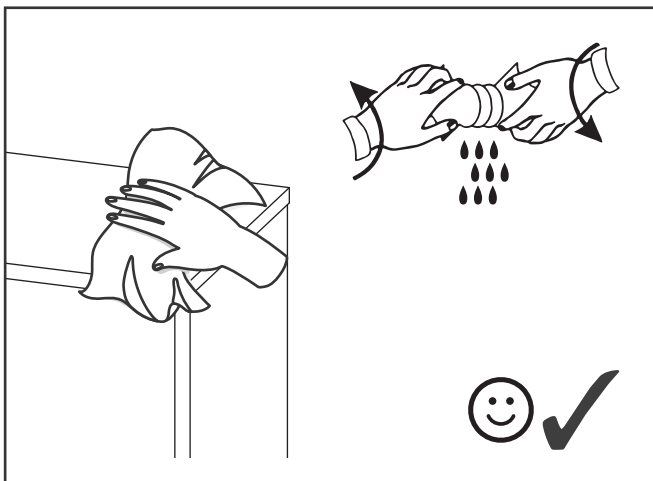
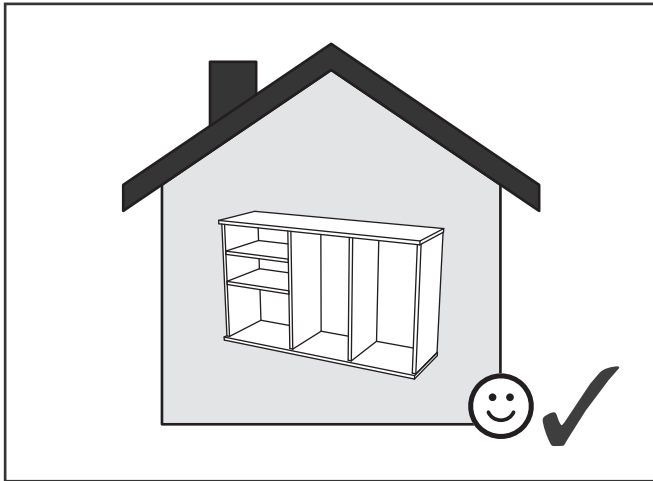
p50 x 2



Ø 3x16mm

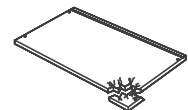
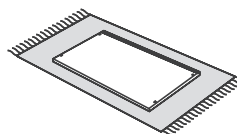
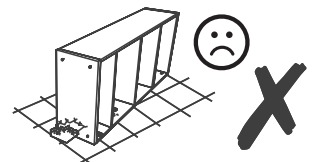
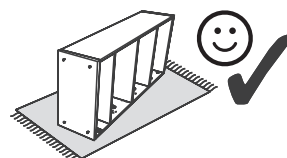
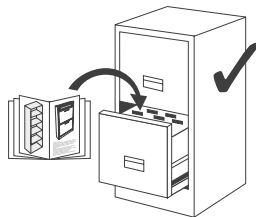
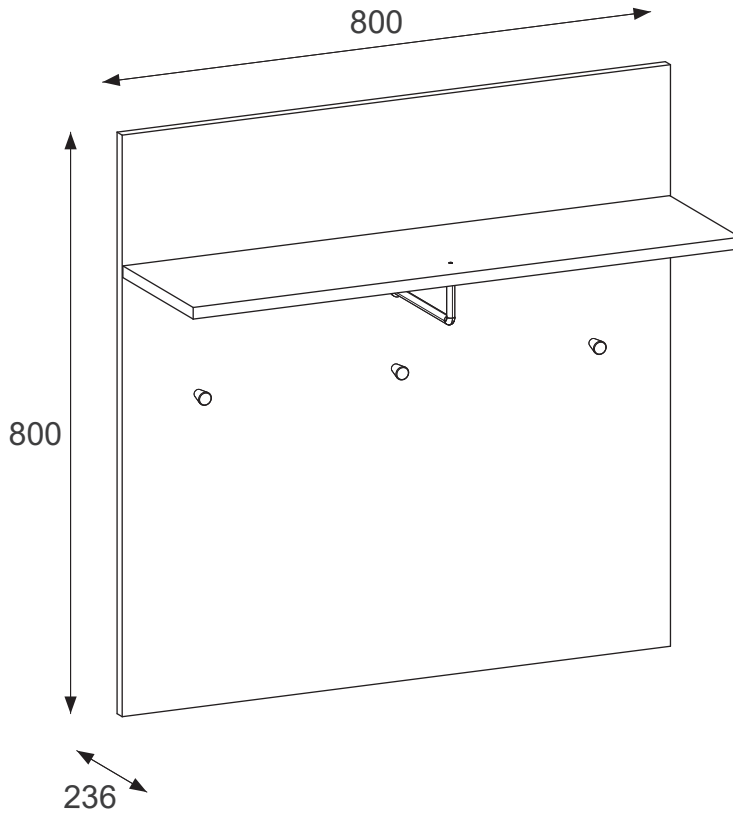
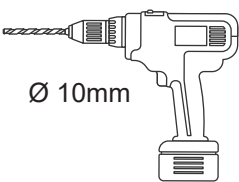
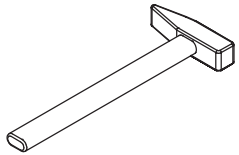
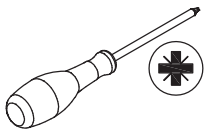
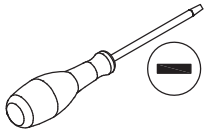
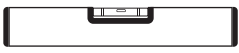


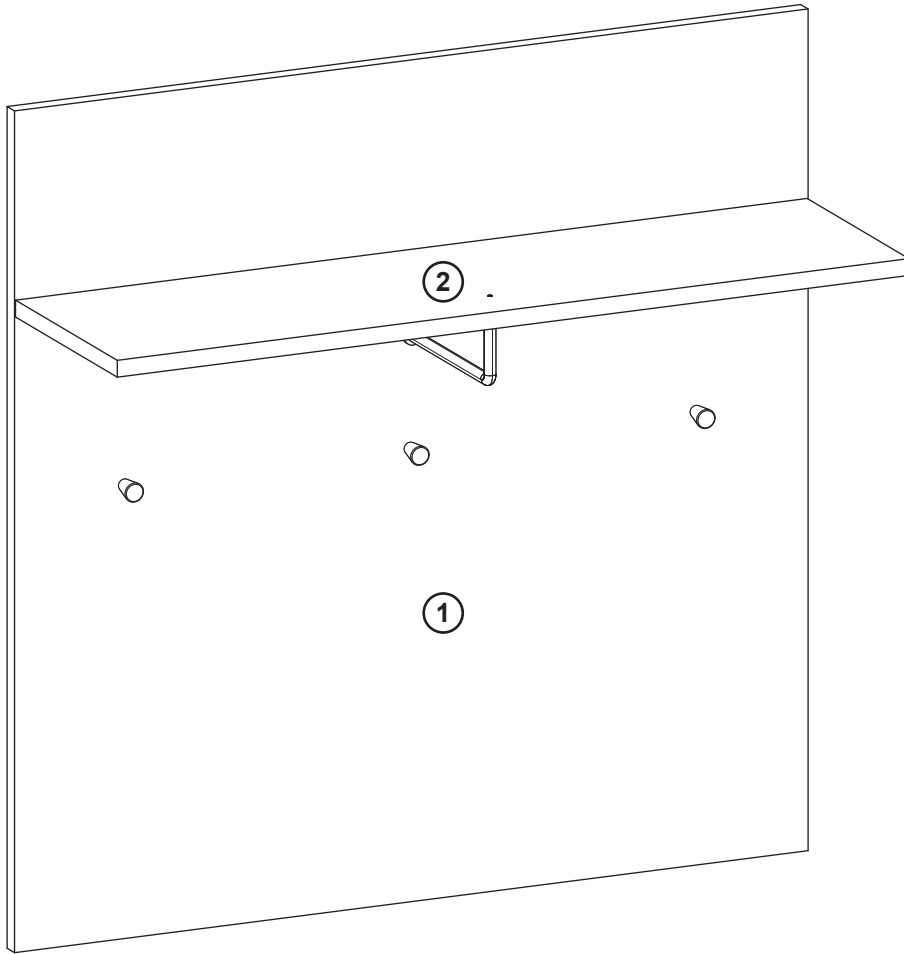
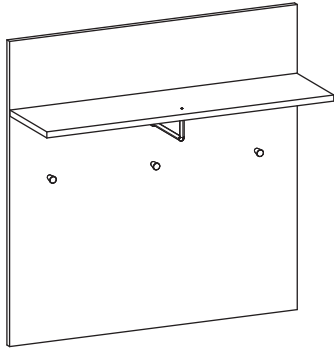




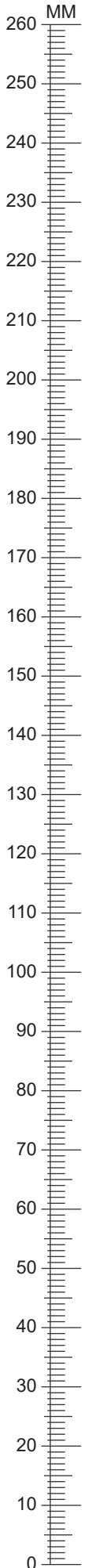
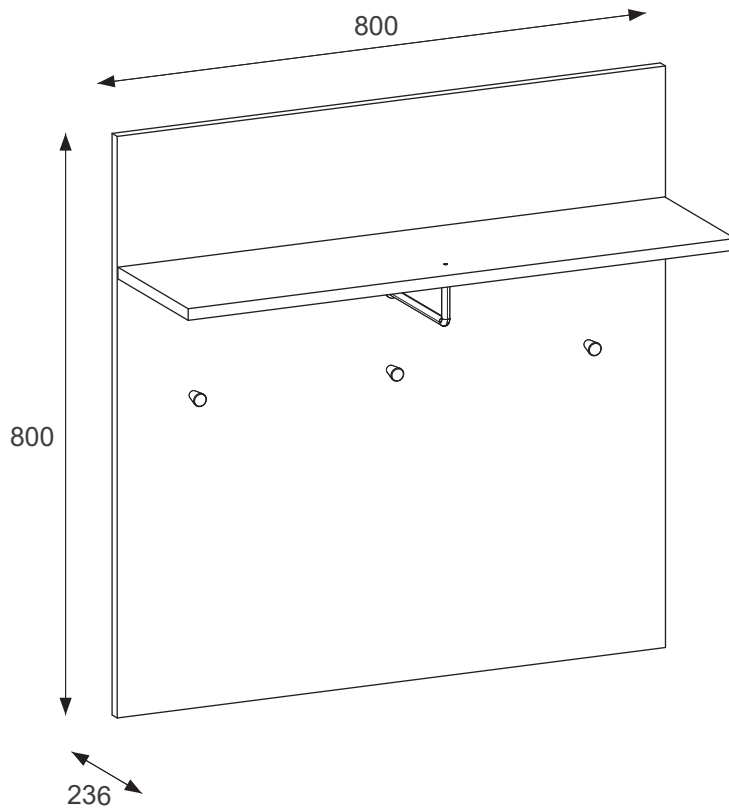


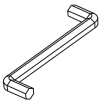

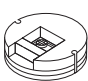



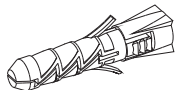




Modell **TYP B**





A	B (mm)		C
1	800	800	1/1
2	798	220	1/1



1x  4mm <b>z1</b>	6x  Ø 6,3x50mm <b>e27</b>	2x  35x12mm <b>n15</b>
3x  25x19x19mm <b>k1</b>	1x  170x70mm <b>w1</b>	2x  Ø 6mm <b>r5</b>
2x  Ø 10x50mm <b>y2</b>	4x  Ø 5x11mm <b>e5</b>	4x  Ø 4x30 mm <b>e8</b>
2x  55mm <b>m1</b>	1x  Ø 4,2x32mm <b>p63</b>	

# 1

n15 x 2

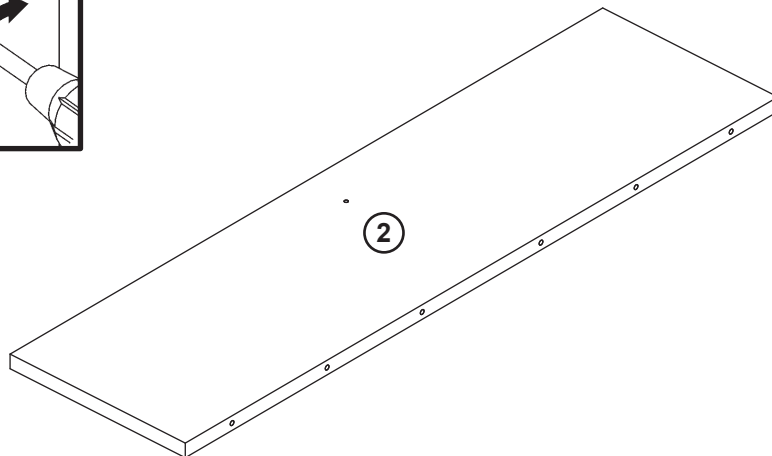
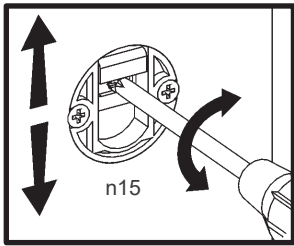
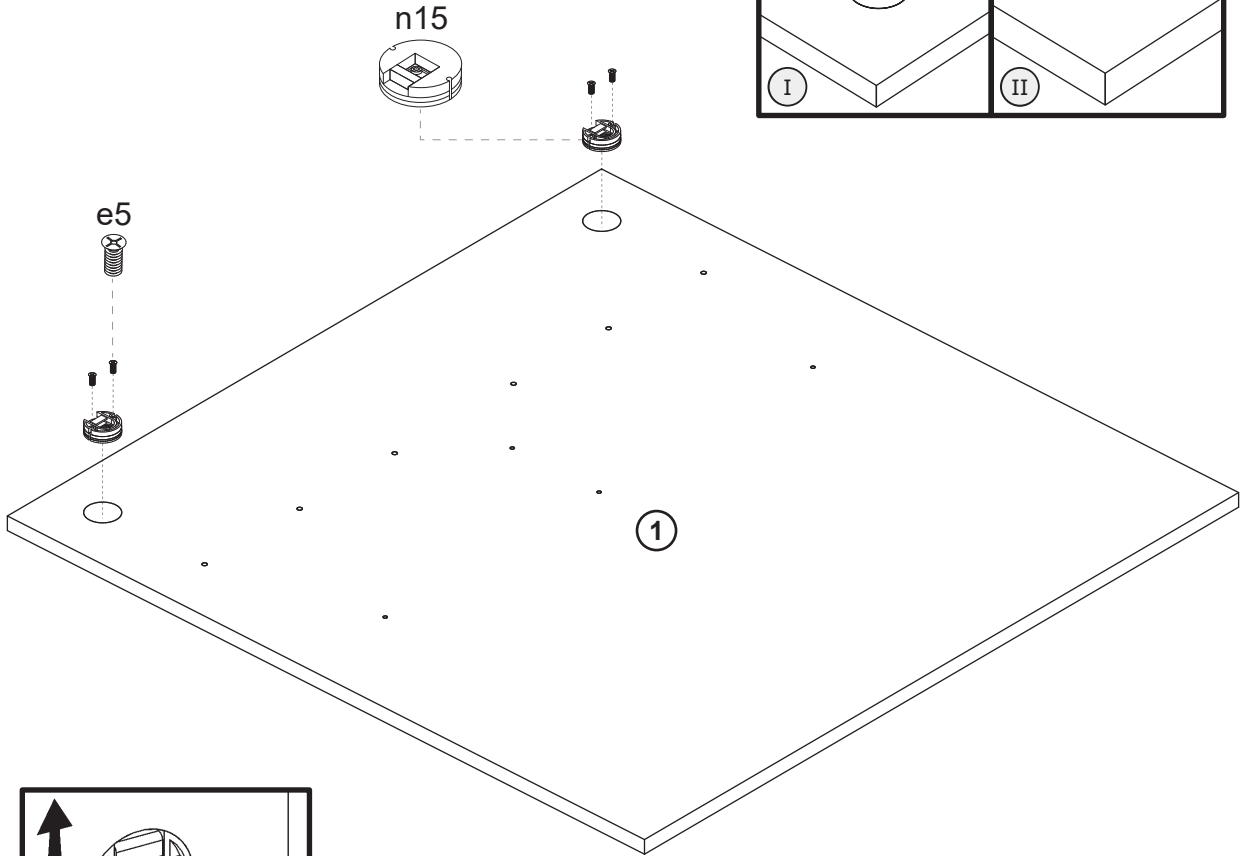
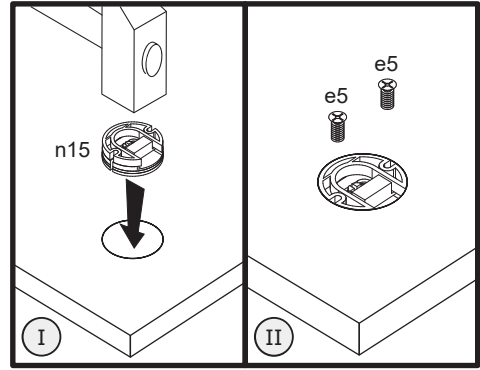


35x12mm

e5 x 4



Ø 5x11mm



# 2

p63 x 1



Ø 4,2x32mm

w1 x 1



170x70mm

k1 x 3



25x19x19mm

z1 x 1



4mm

e27 x 6

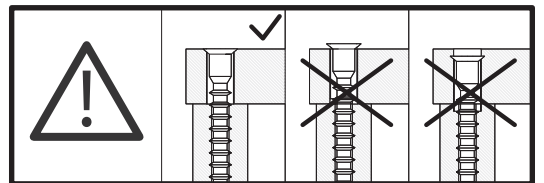
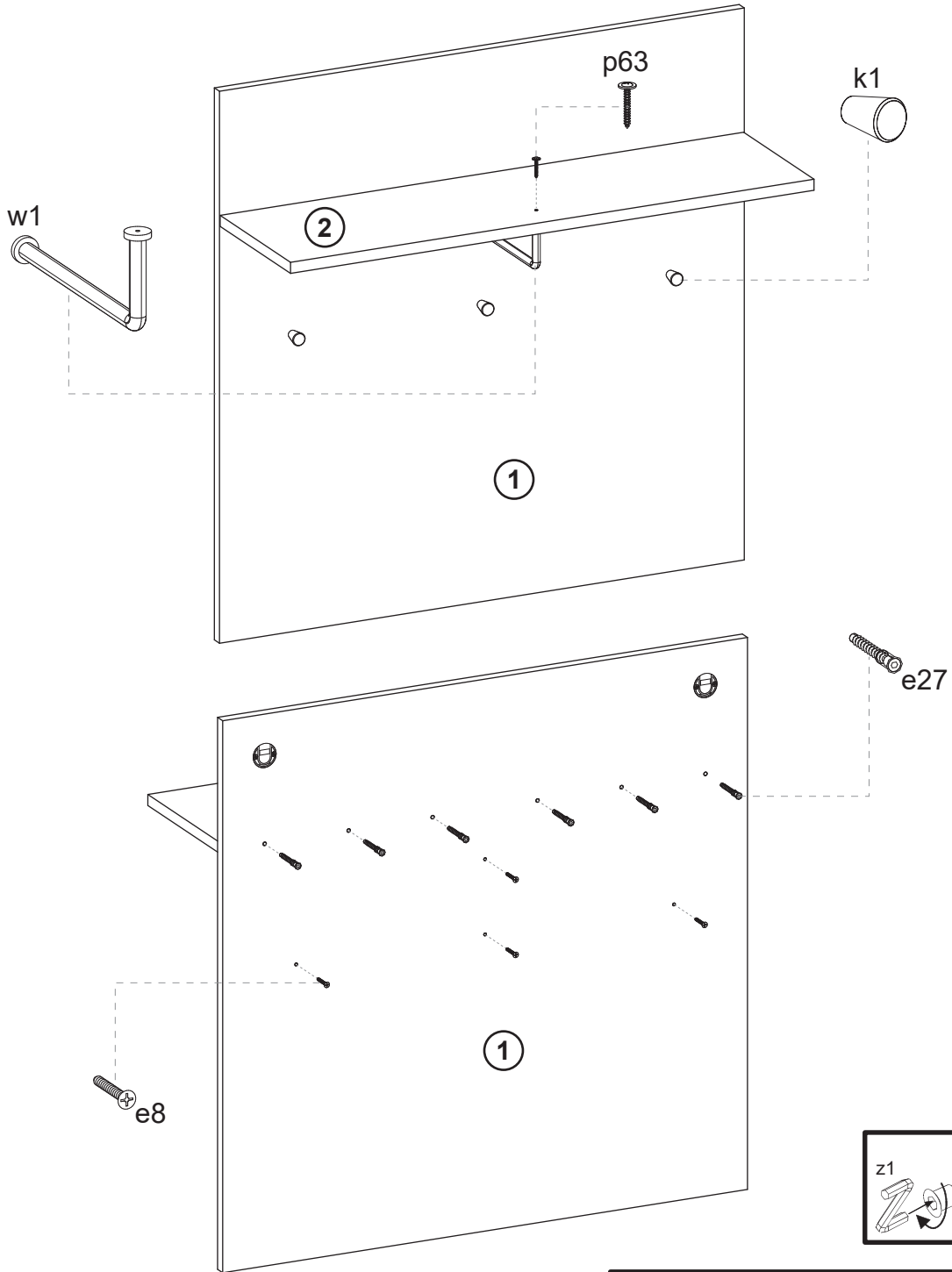


Ø 7x50mm

e8 x 4






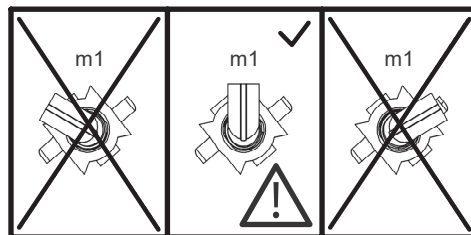
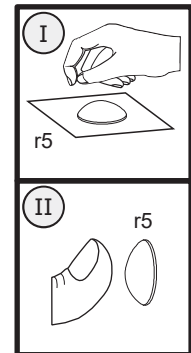
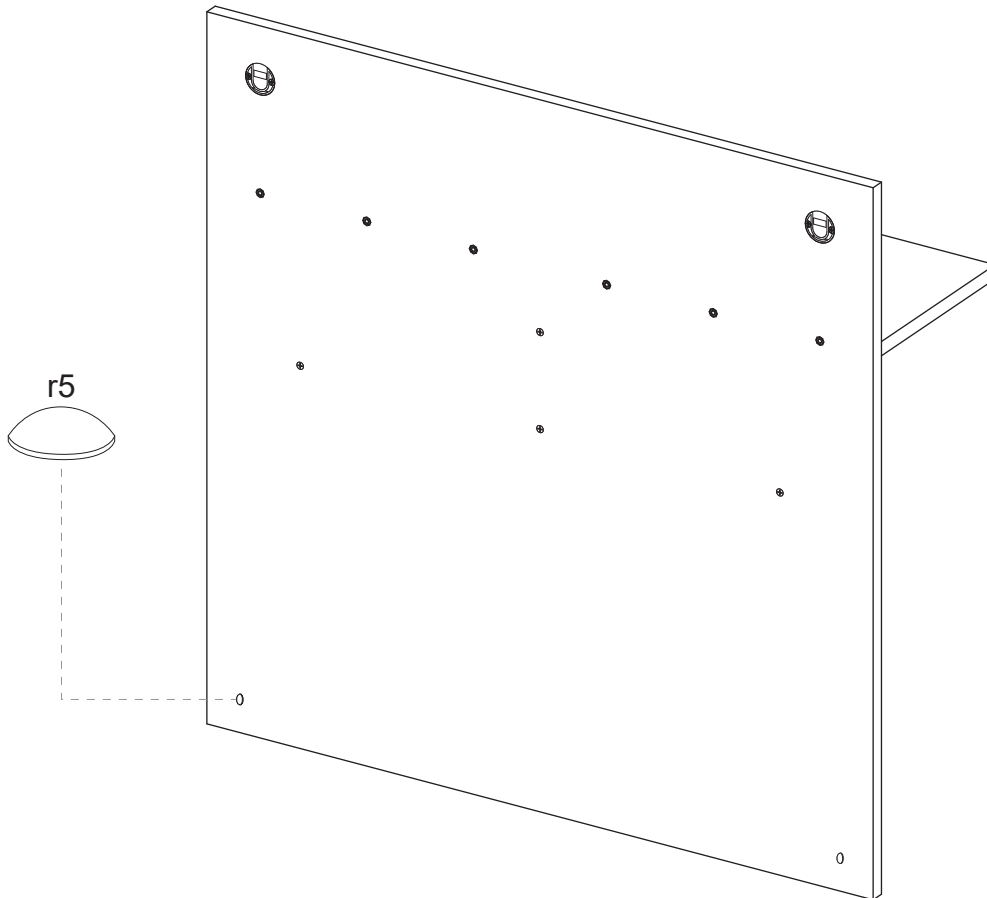
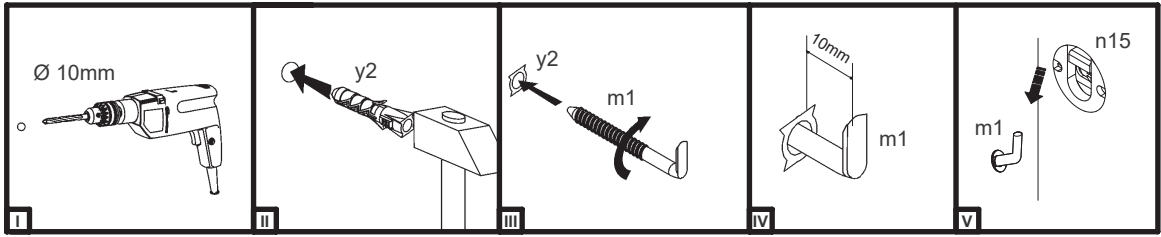
Ø 4x30mm

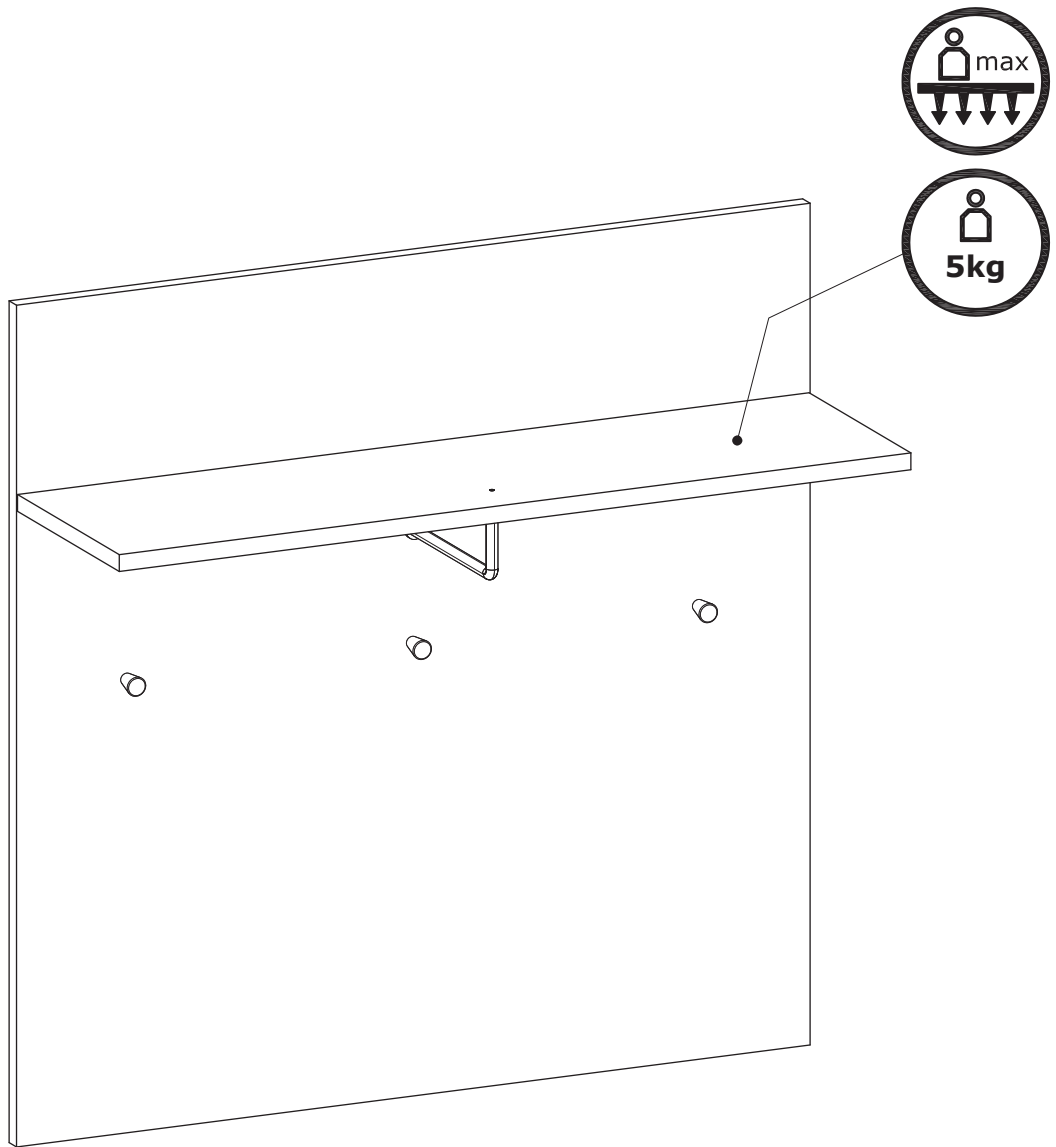


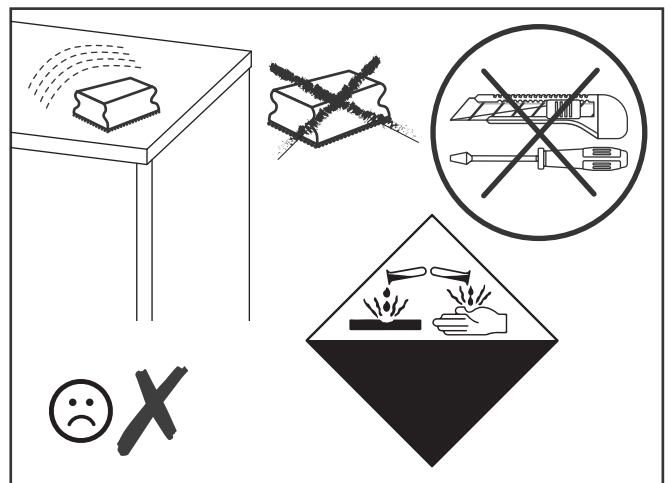
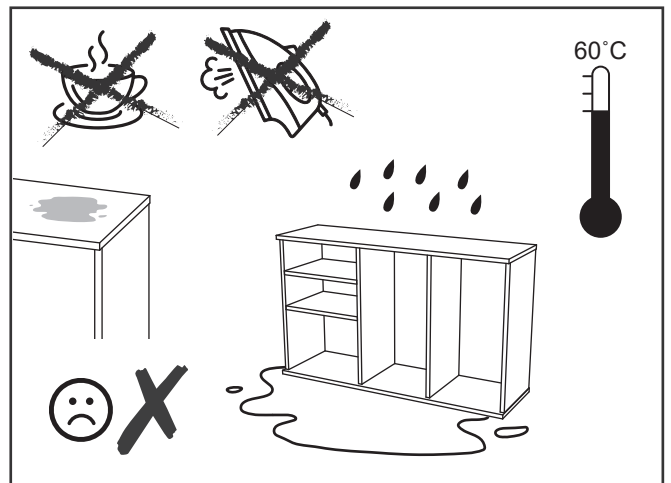
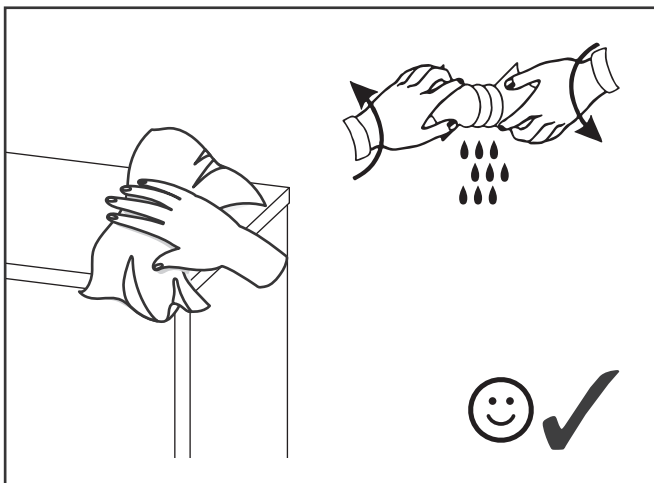
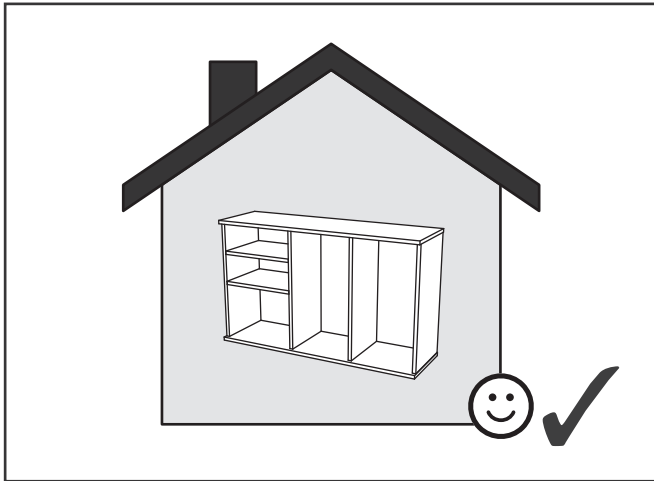


# 3

y2 x 2  Ø 10x50mm	m1 x 2  55mm	r5 x 2  Ø 6mm
--	---	--

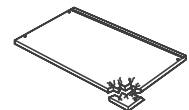
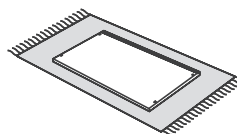
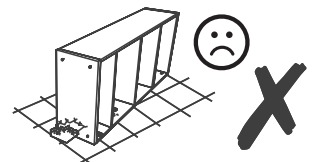
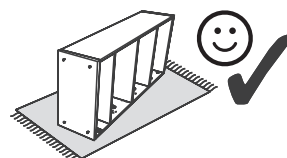
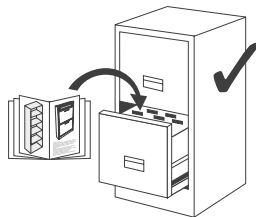
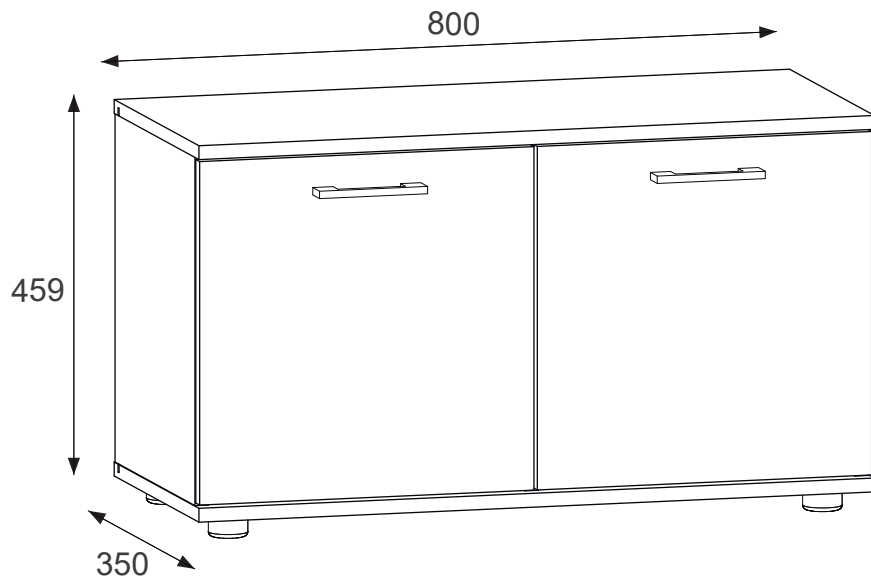
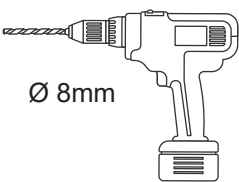
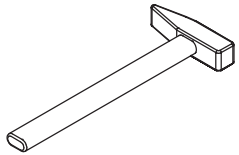
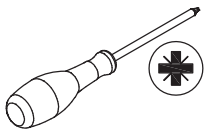
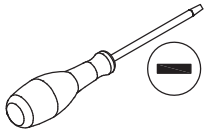
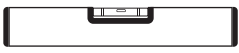


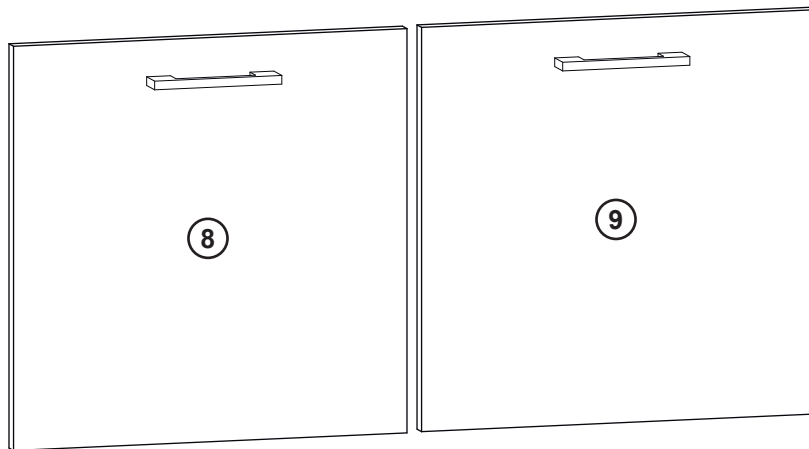
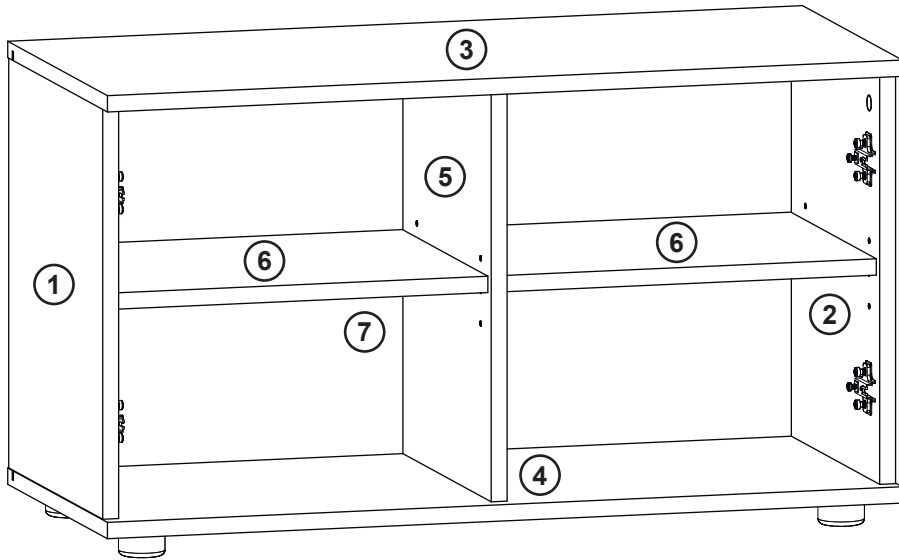
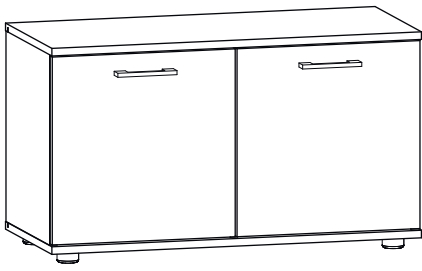




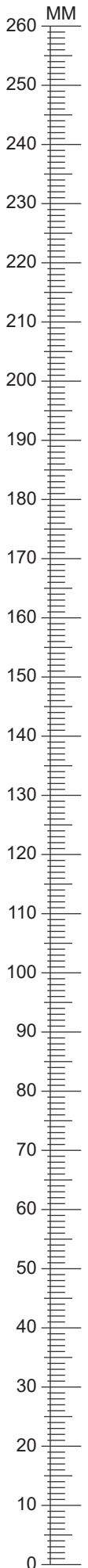
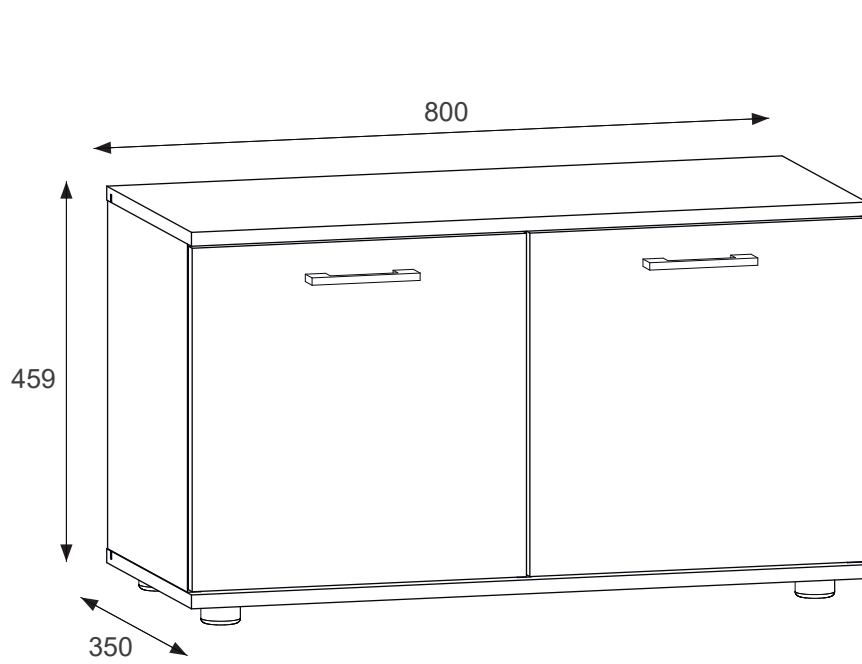


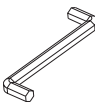



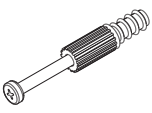
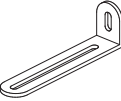
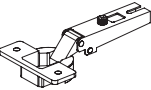
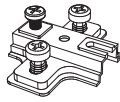


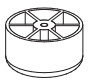
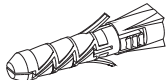






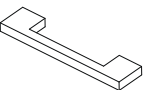
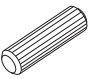
Modell **TYP C**





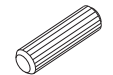
A	B (mm)		C
1	402	330	1/1
2	402	330	1/1
3	800	350	1/1
4	800	350	1/1
5	402	310	1/1
6	374	300	1/1
7	780	416	1/1
8	396	396	1/1
9	396	396	1/1



1x 4mm  <b>z1</b>	6x  Ø 6,3x50mm <b>e27</b>	8x  Ø 5mm <b>d1</b>
6x Ø 15x12mm  <b>r1</b>	6x 45mm  <b>r23</b>	1x L=75x25x15mm  <b>n14/2</b>
4x Ø 35mm  <b>a1</b>	4x 40x50x12mm  <b>b1</b>	6x Ø 20mm  <b>s1</b>
8x 10x10x15mm  <b>l2</b>	5x 25x45x45mm  <b>k43</b>	1x Ø 8x50mm  <b>y1</b>
2x Ø 4,2x16mm  <b>p21</b>	5x Ø 4x25mm  <b>p23</b>	4x Ø 4x25mm  <b>p26</b>
2x Ø 3x16mm  <b>p50</b>	8x Ø 3,5x16mm  <b>p51</b>	1x Ø 5x50mm  <b>p60</b>
2x L=96/128mm  <b>c238</b>	12x Ø 8x30mm  <b>f1</b>	

# 1

f1 x 12



Ø 8x30mm

r1 x 6



Ø 15x12mm

d1 x 8

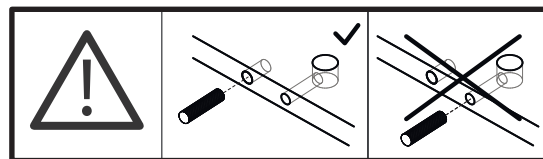
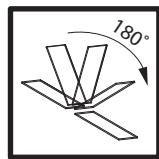
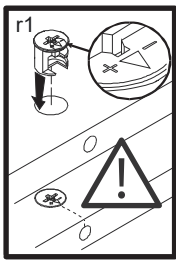
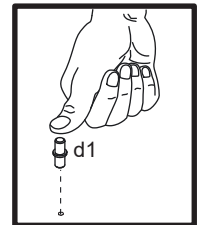
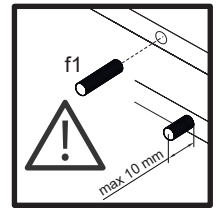
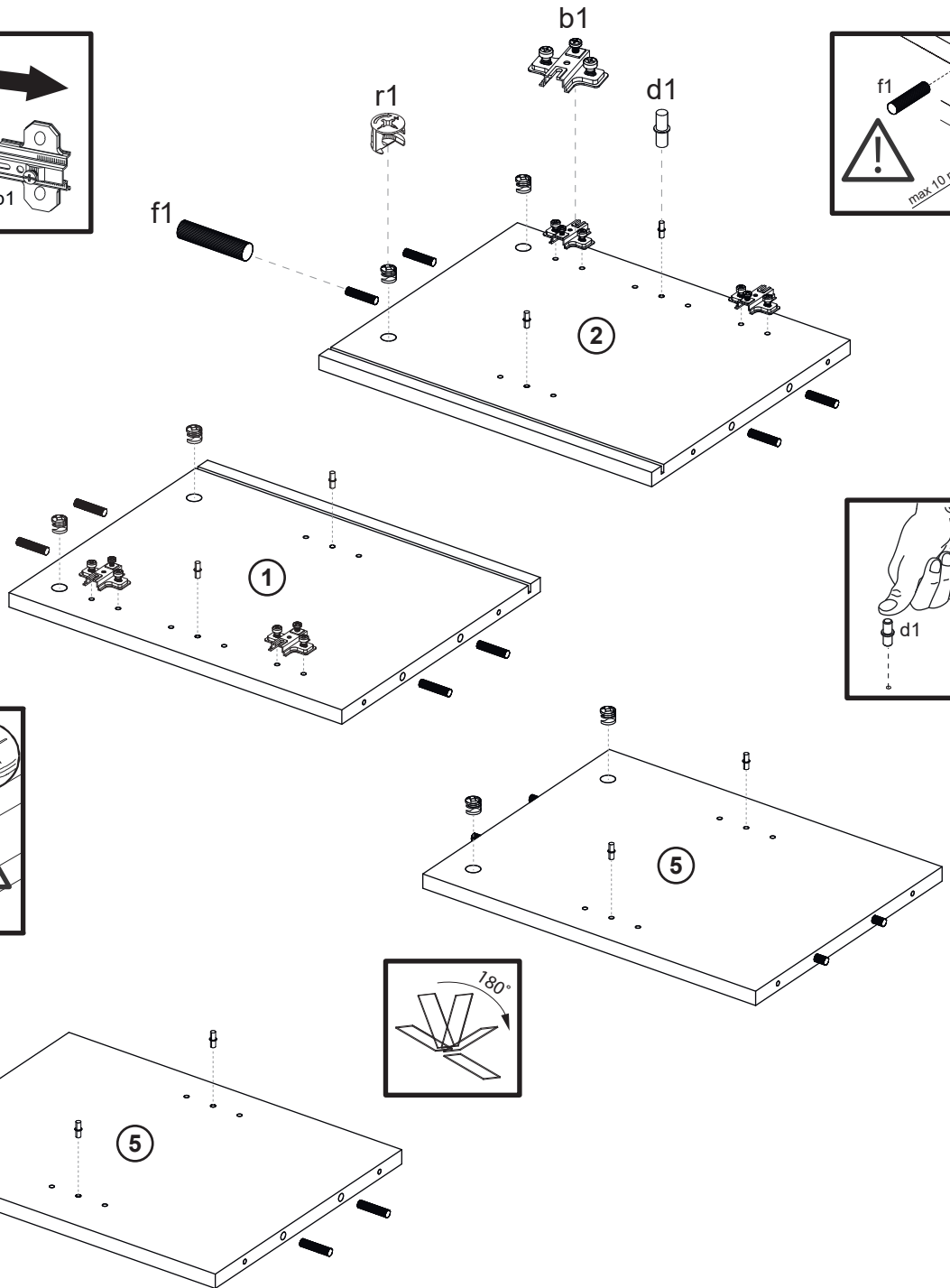
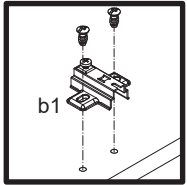
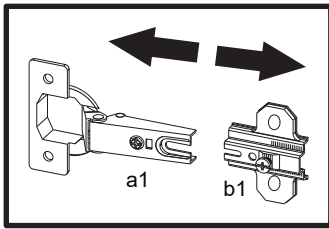


Ø 5mm

b1 x 4

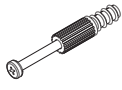


40x50x12mm



# 2

r23 x 6



45mm

n14/2 x 1

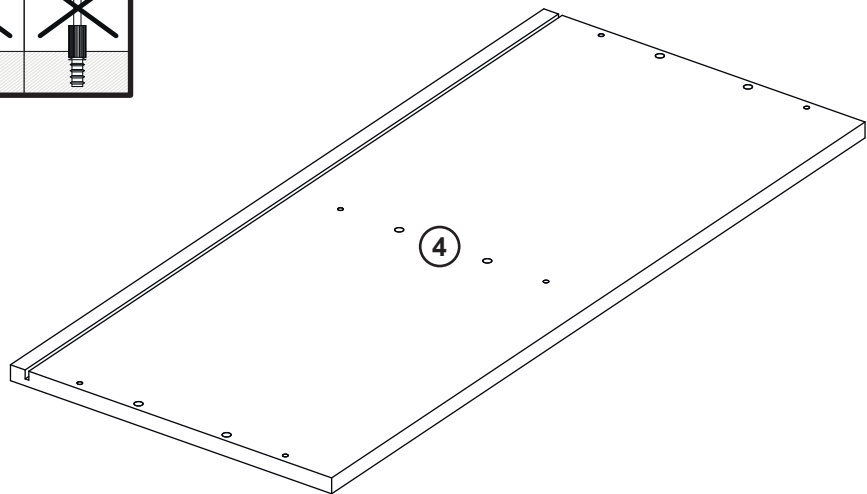
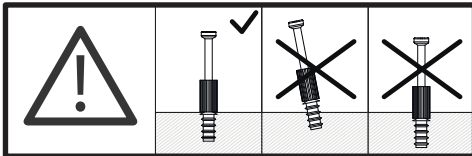
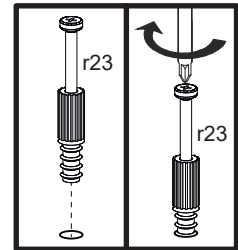
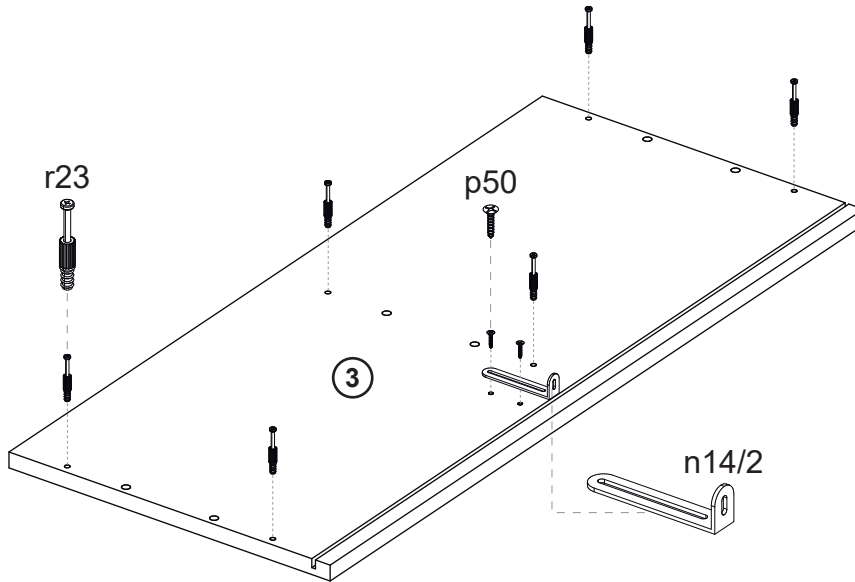


L=75x25x15mm

p50 x 2



Ø 3x16mm



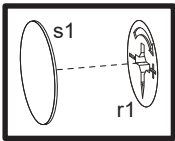
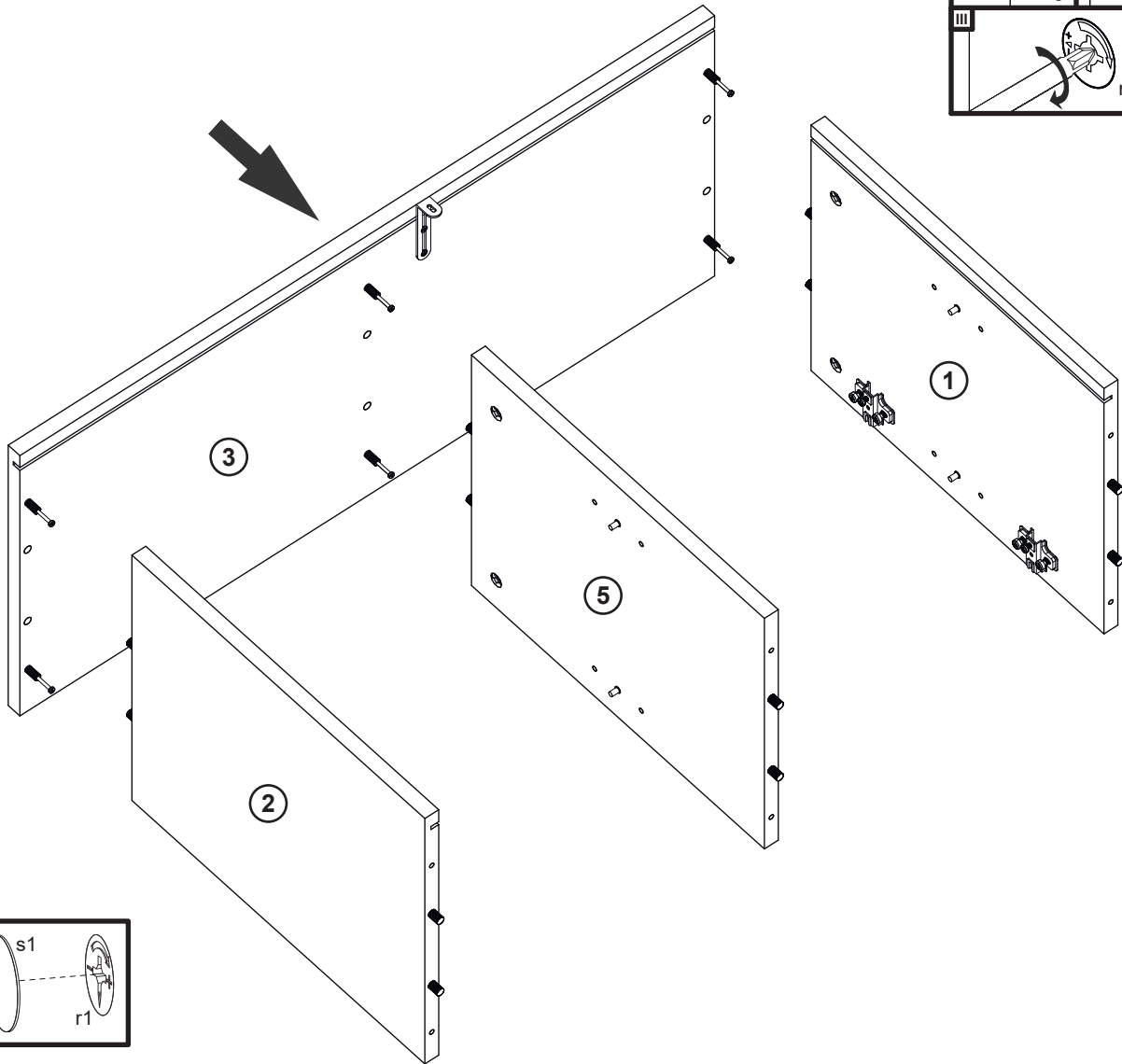
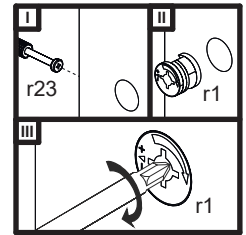



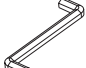


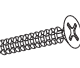

# 3

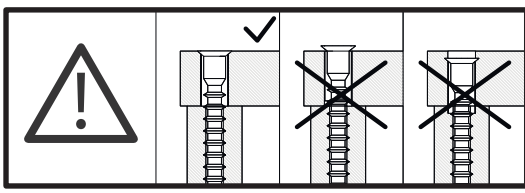
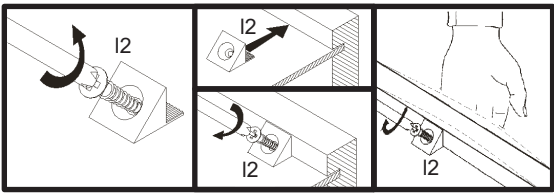
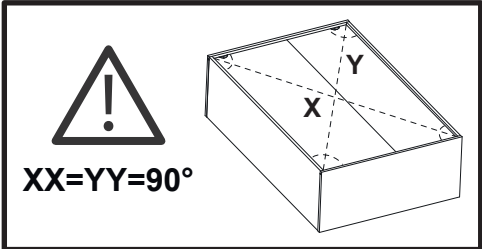
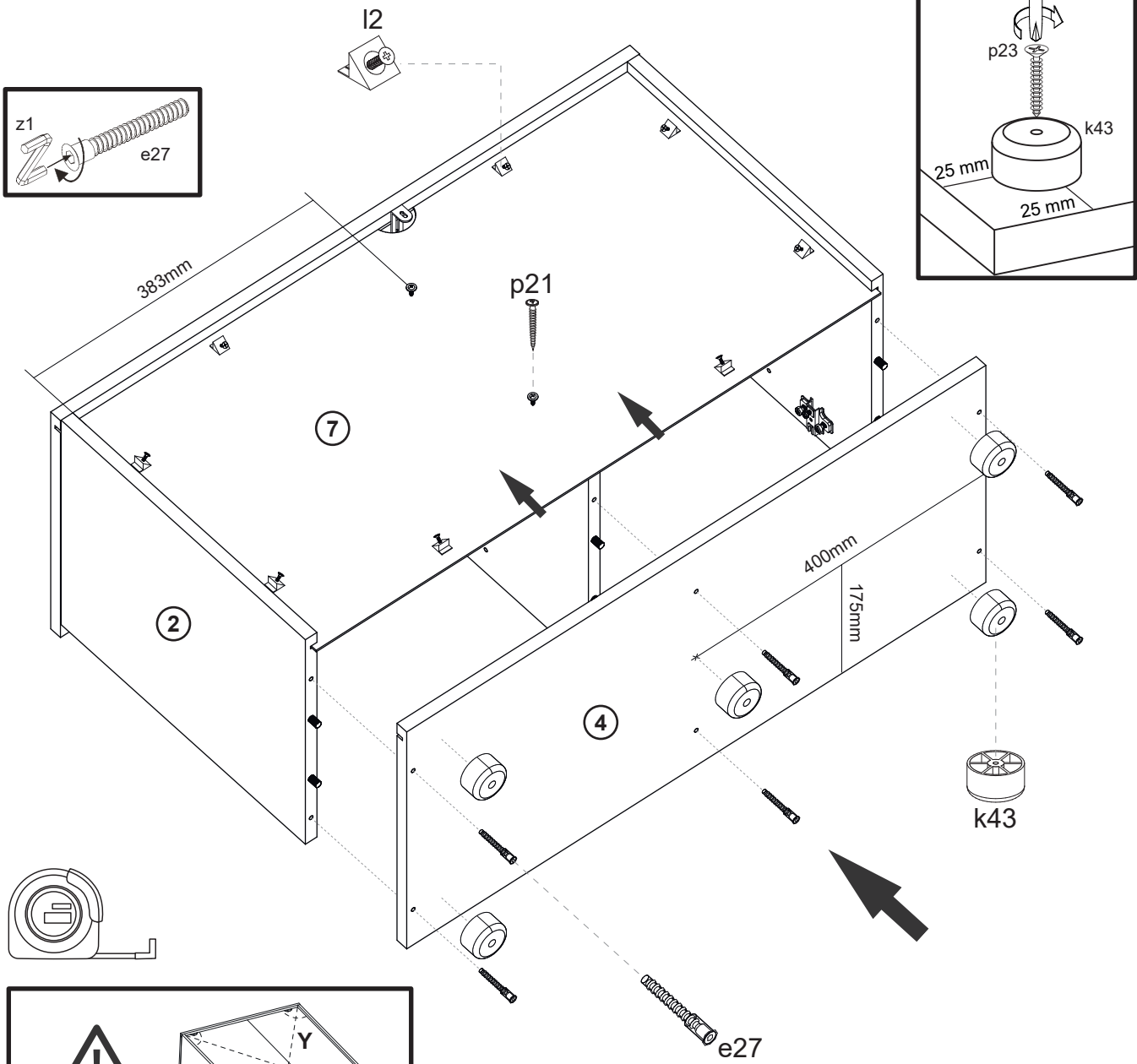
s1 x 6



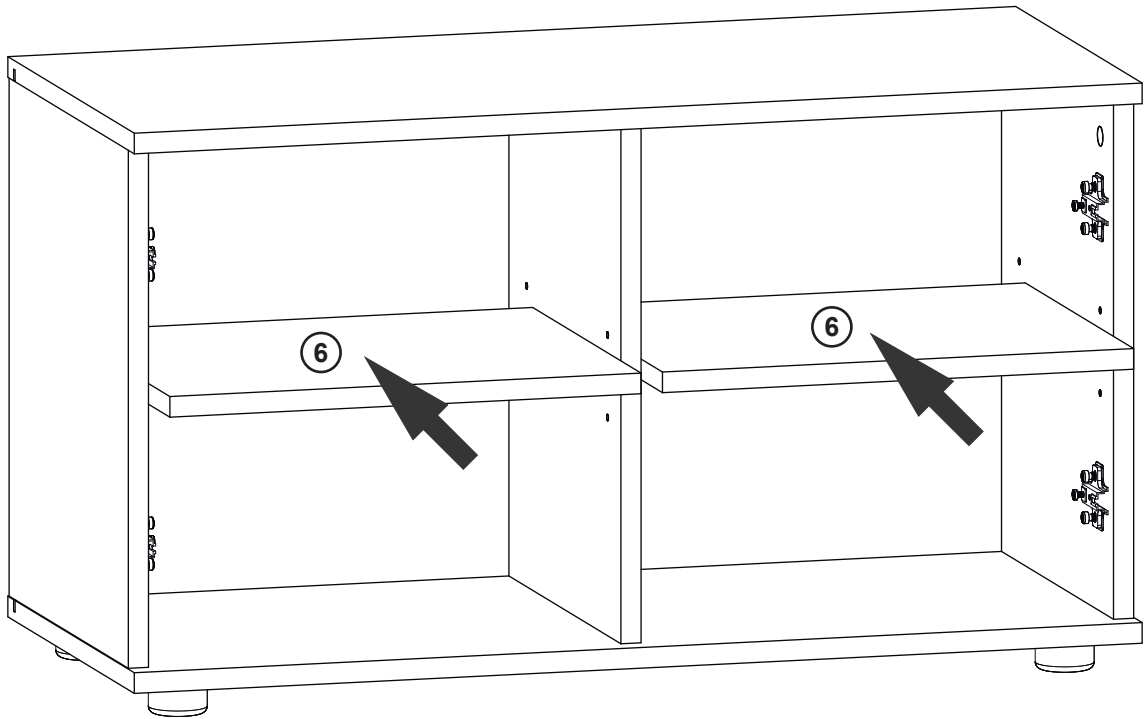
Ø 20mm



<b>4</b>	e27 x 6	z1 x 1	l2 x 8	k43 x 5	p23 x 5	p21 x 2
	 Ø 6,3x50mm	 4mm	 10x10x15mm	 25x45x45mm	 Ø 4x25mm	 Ø 4,2x16mm



5



# 6

p26 x 4



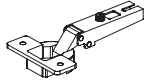
Ø 4x25mm

p51 x 8



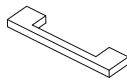
Ø 3,5x16mm

a1 x 4

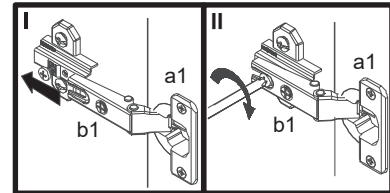
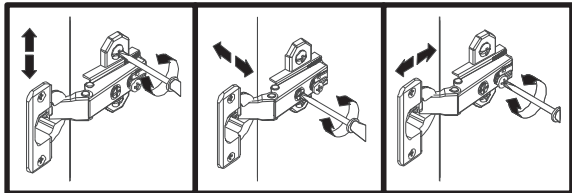
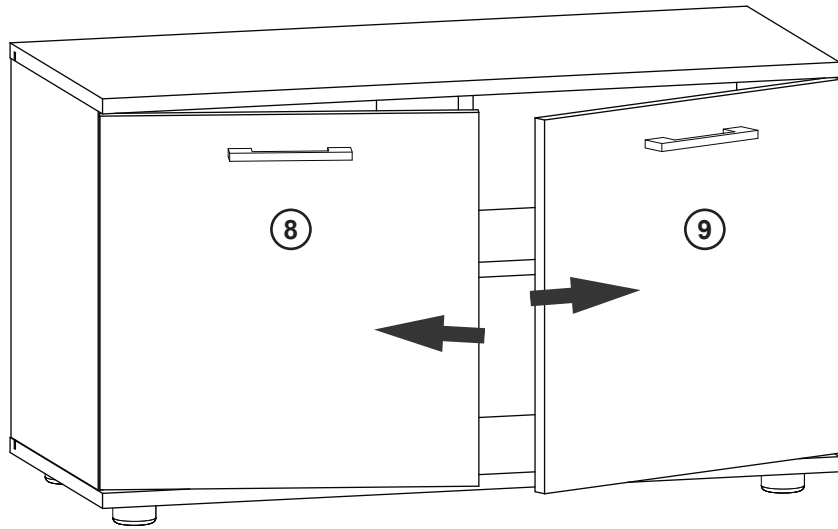
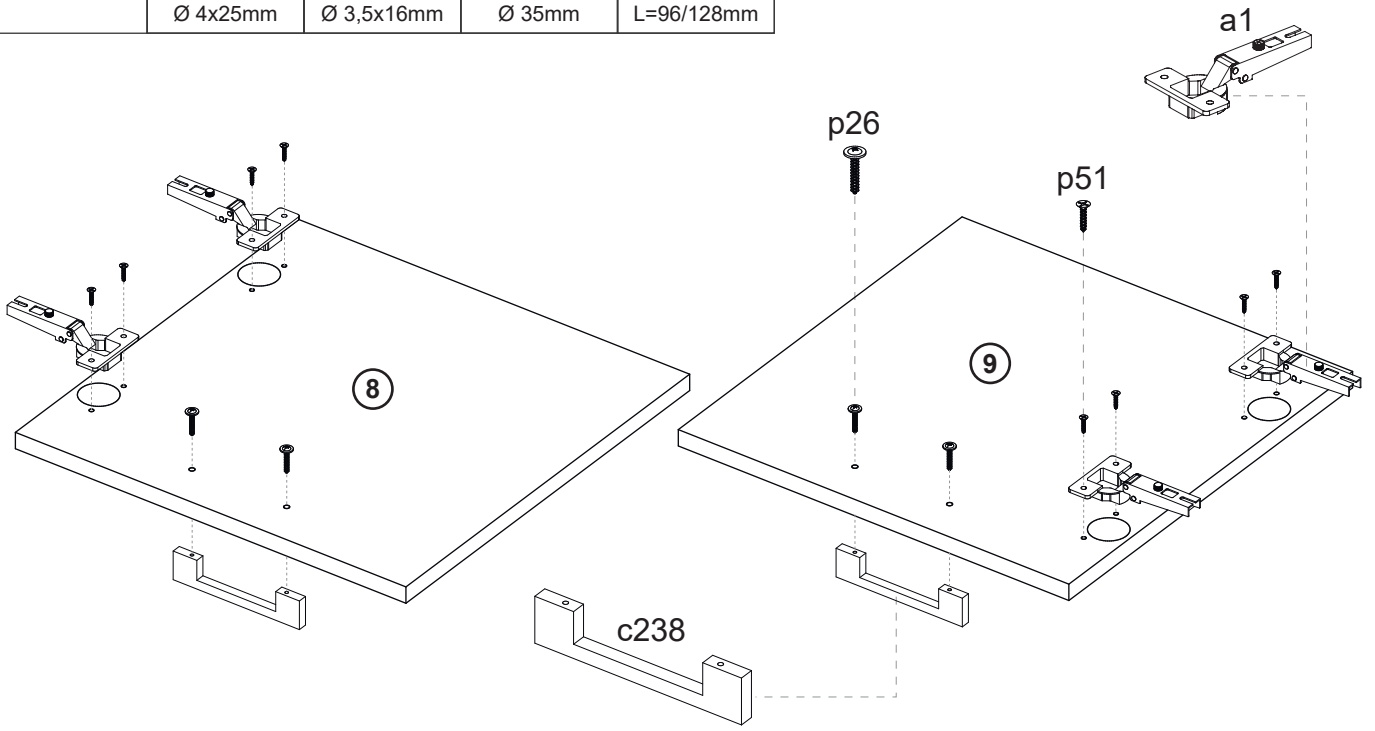


Ø 35mm

c238 x 2



L=96/128mm



# 7

p60 x 1

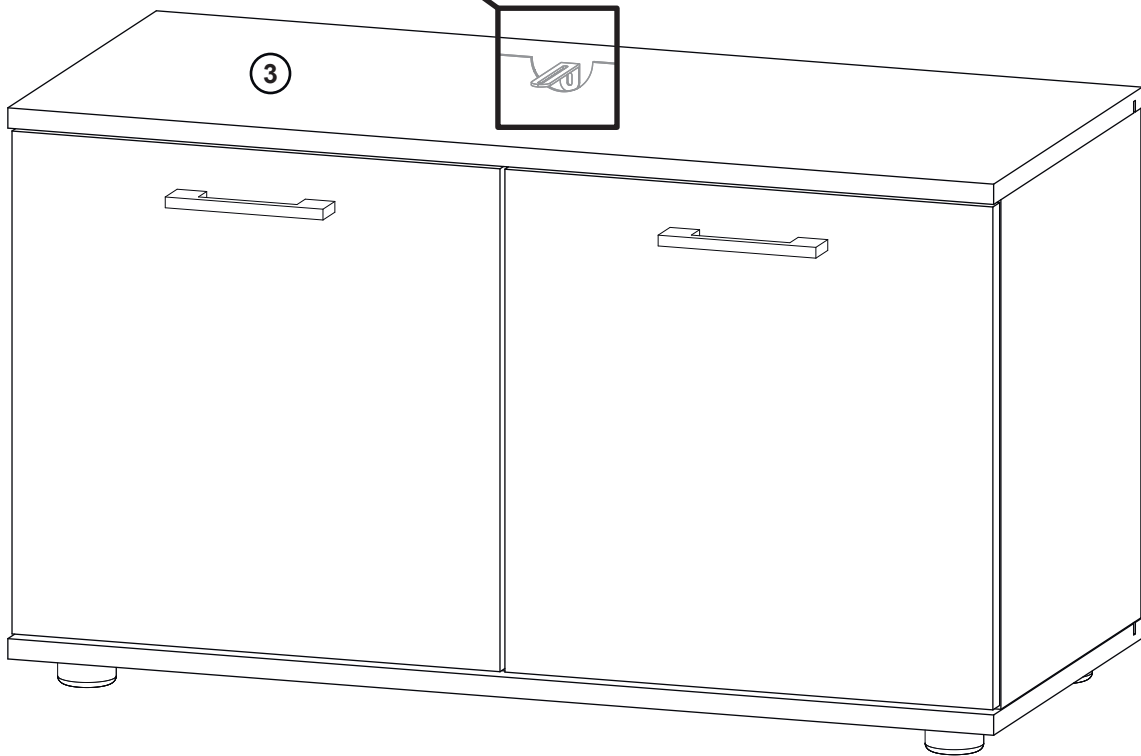
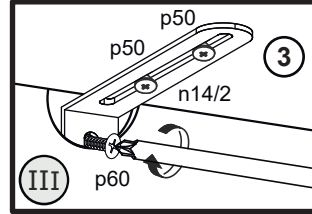
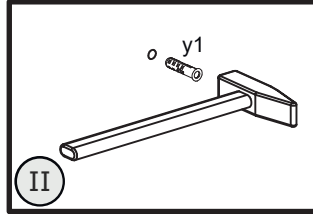
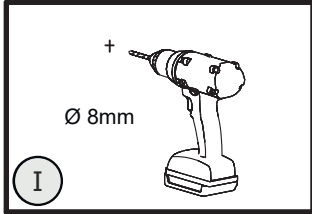


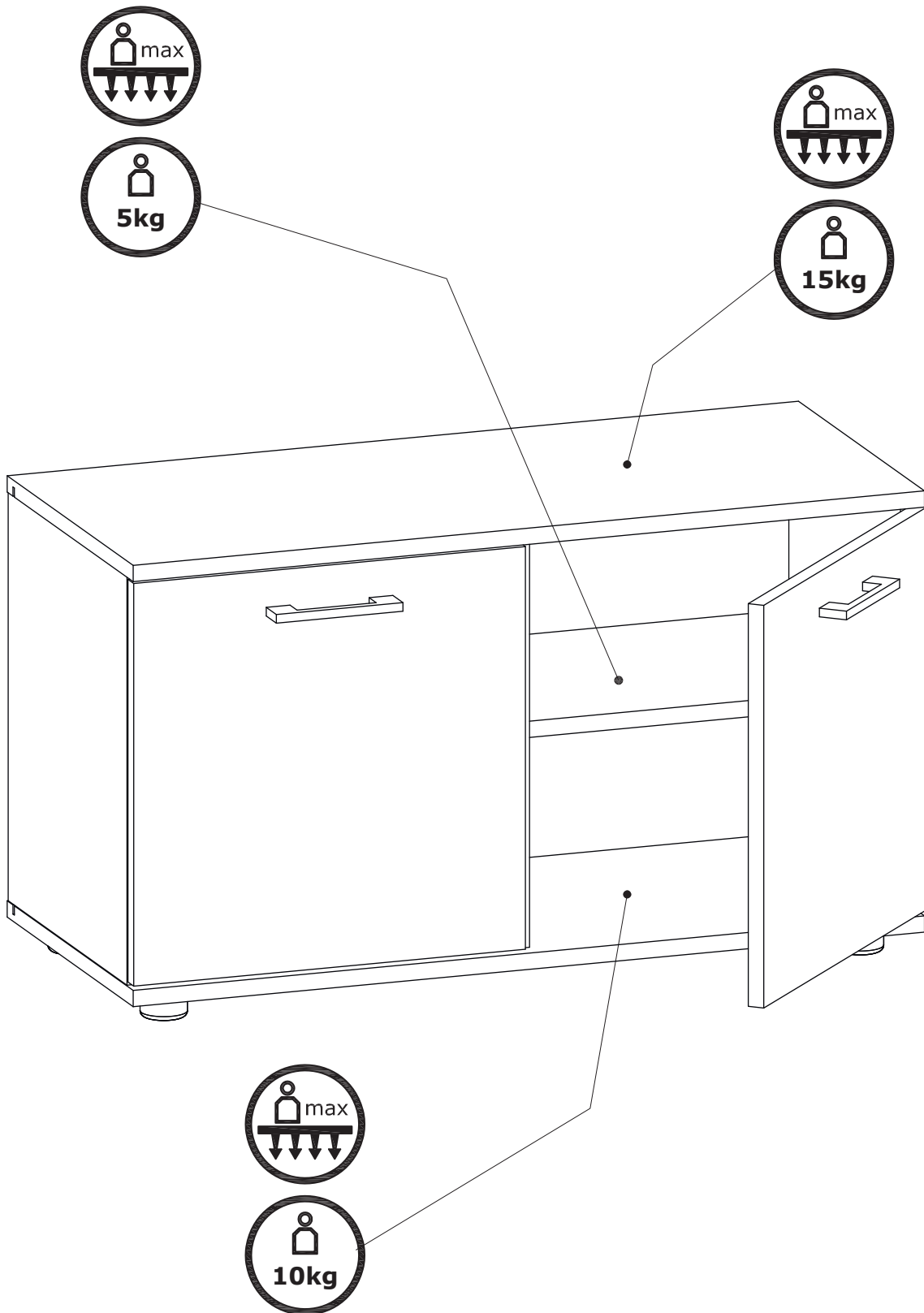
Ø 5x50mm

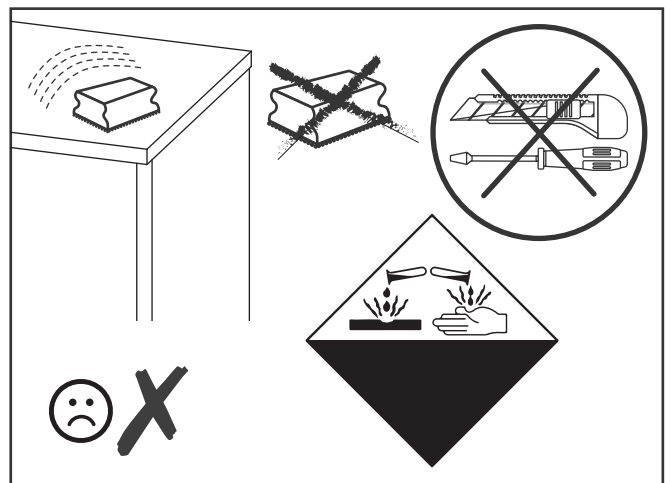
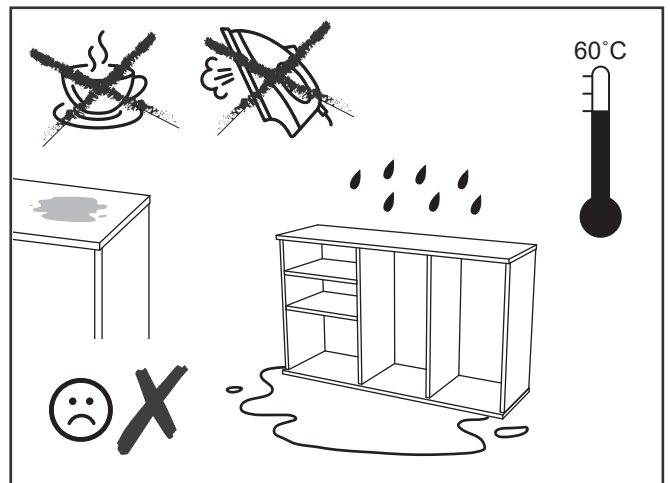
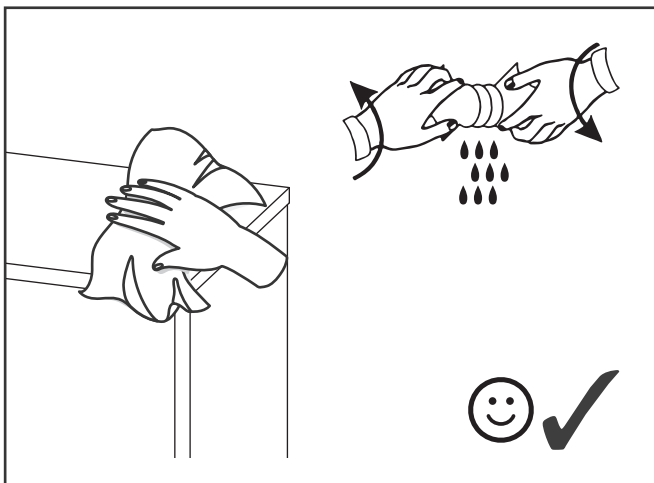
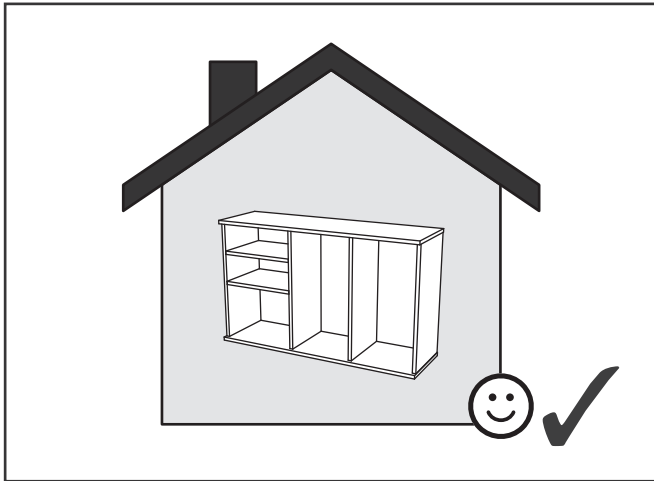
y1 x 1



Ø 8x50mm

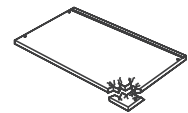
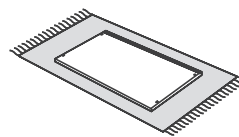
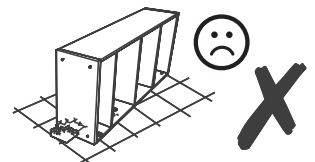
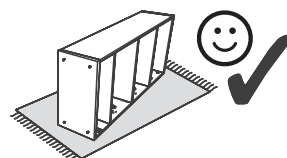
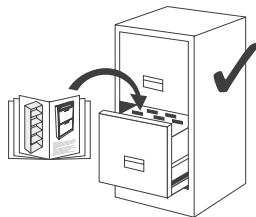
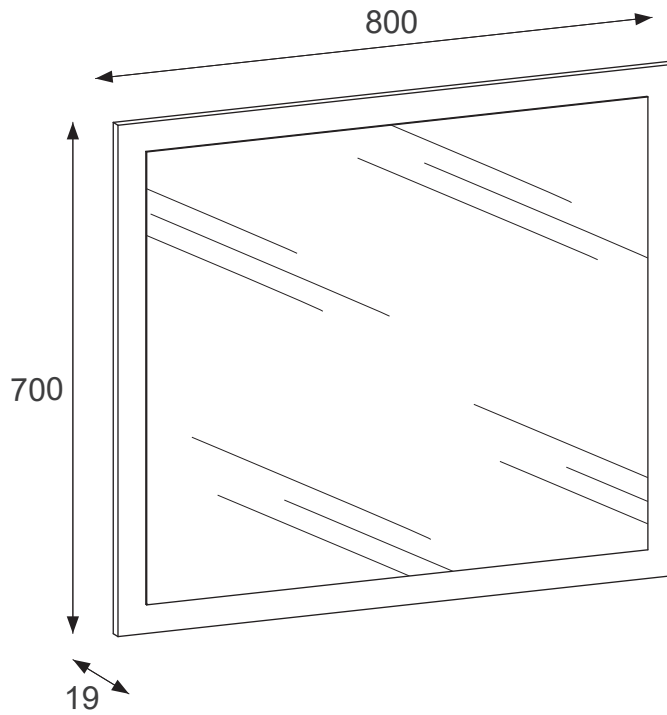
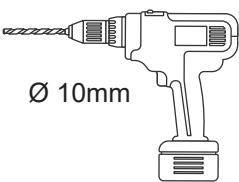
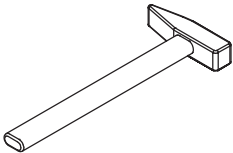
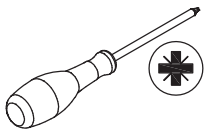
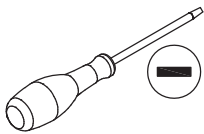
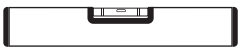




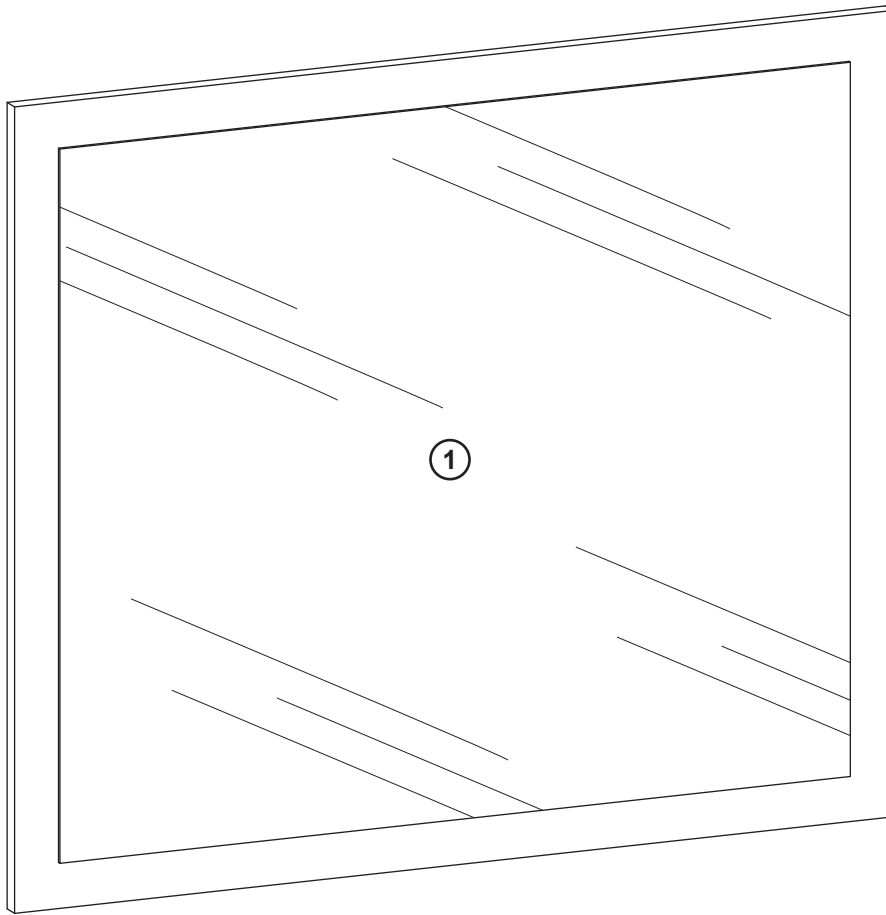
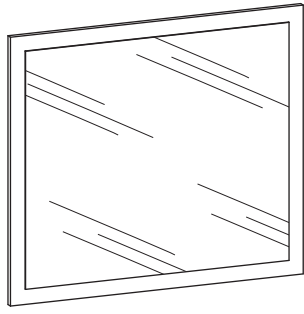




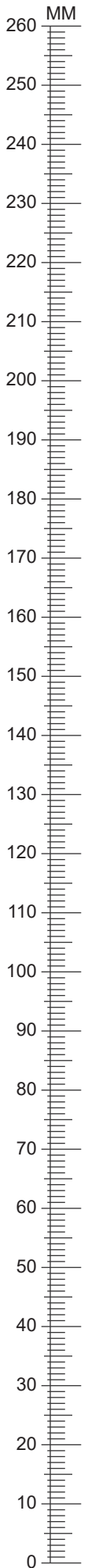
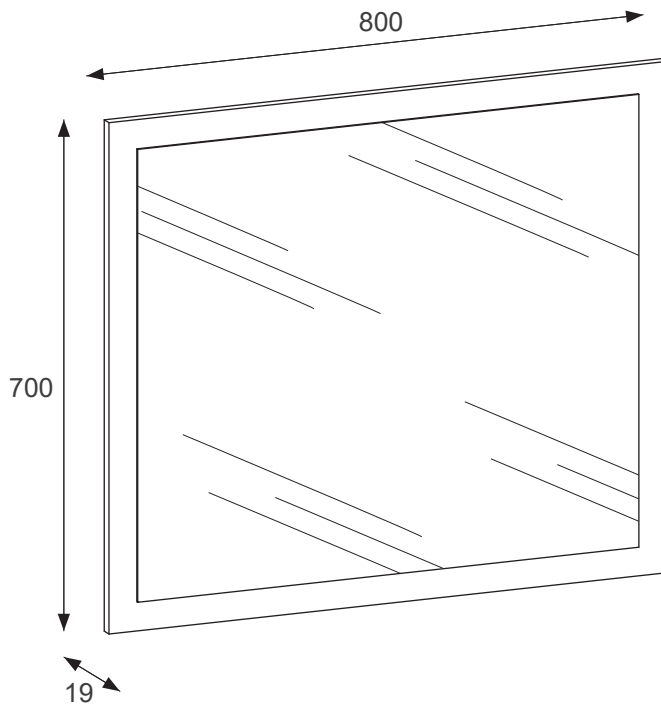
Modell **TYP D**












A	B (mm)		C
1	800	700	1/1



<p>2x</p>  <p>35x12mm</p> <p><b>n15</b></p>	<p>4x</p>  <p>Ø 5x11 mm</p> <p><b>e5</b></p>	<p>2x</p>  <p>Ø 10x50mm</p> <p><b>y2</b></p>
<p>2x</p>  <p>55mm</p> <p><b>m1</b></p>	<p>2x</p>  <p>Ø 6mm</p> <p><b>r5</b></p>	

# 1

n15 x 2

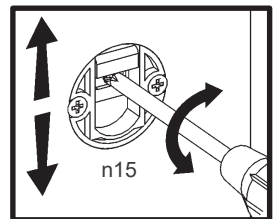
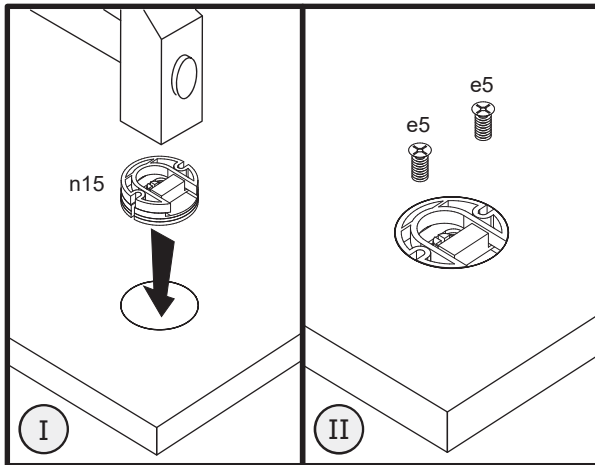
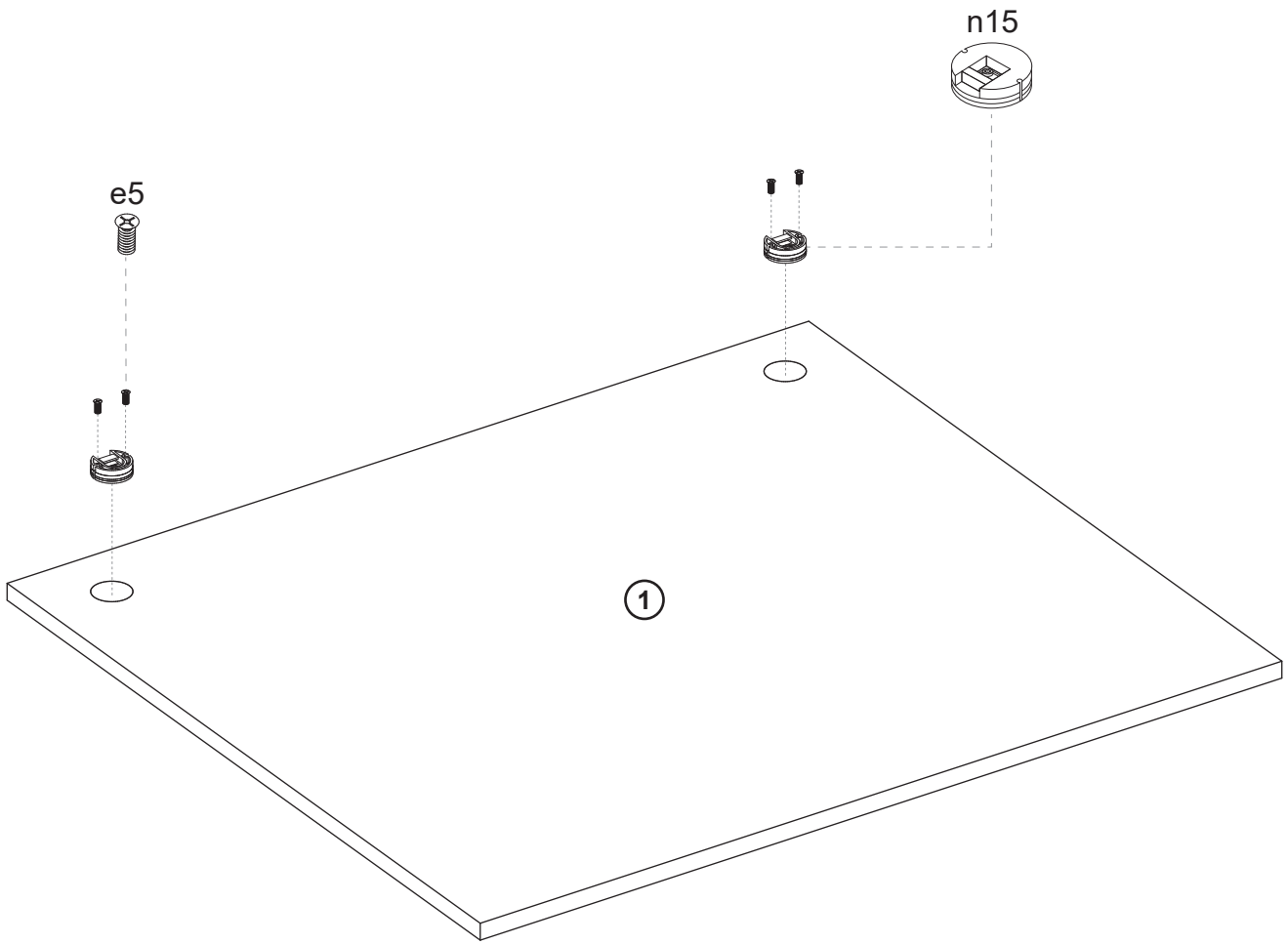


35x12mm

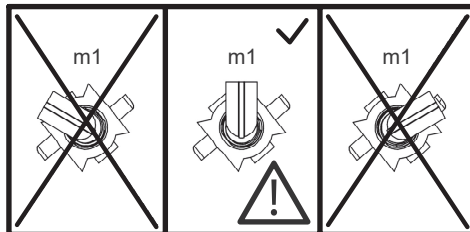
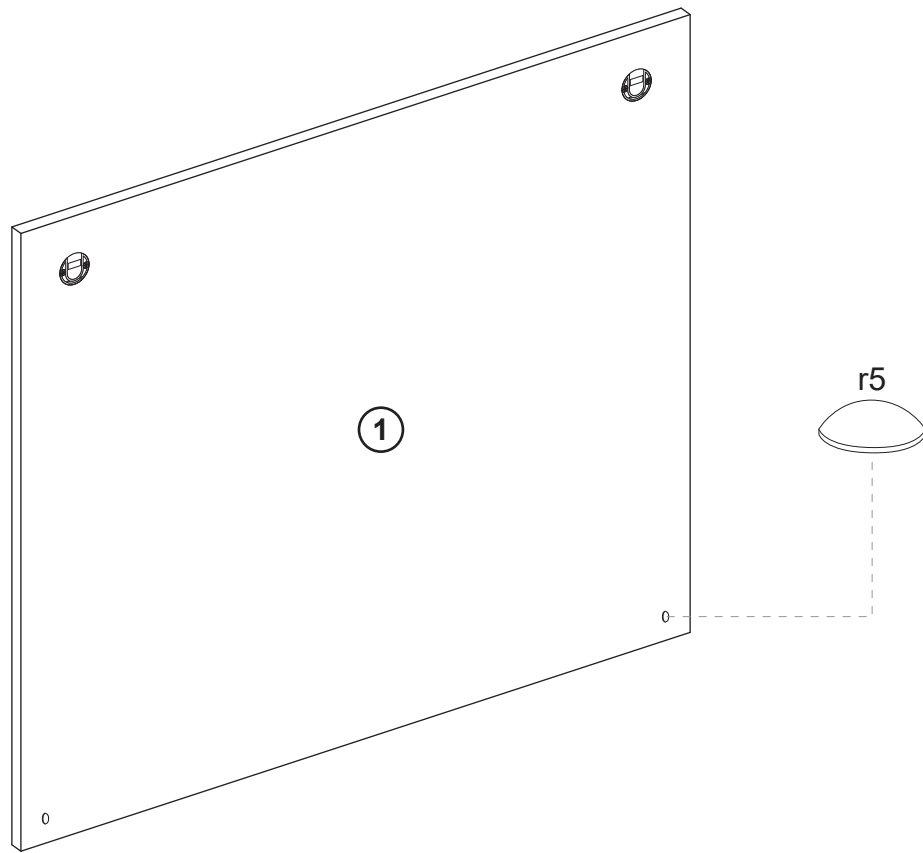
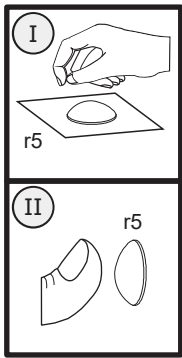
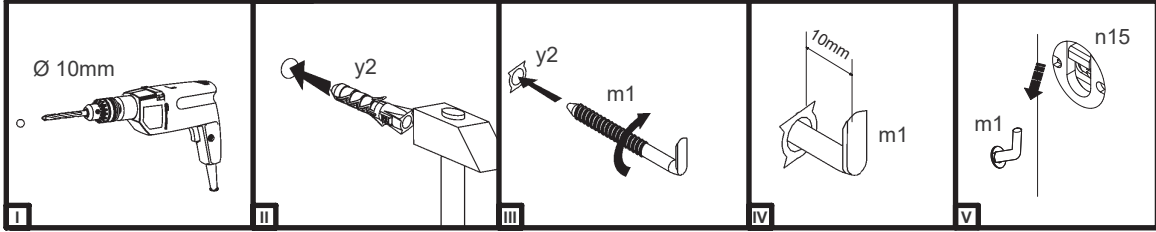
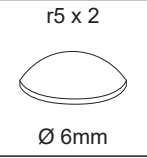
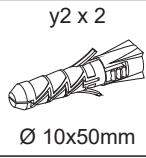
e5 x 4

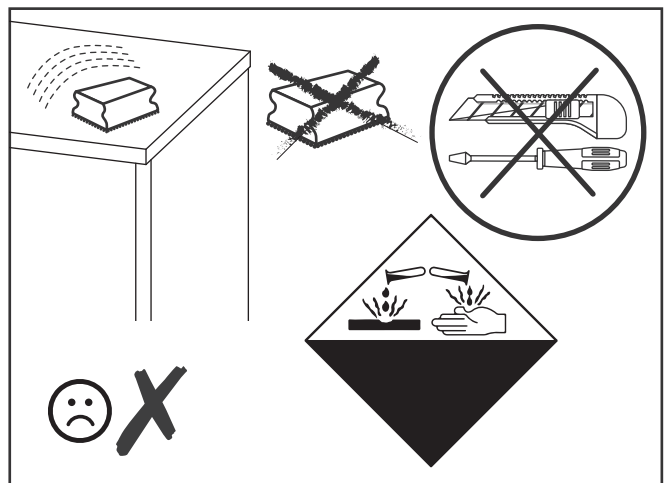
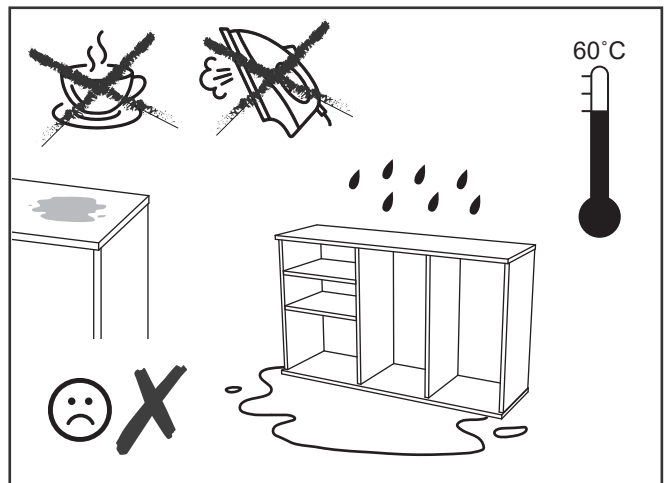
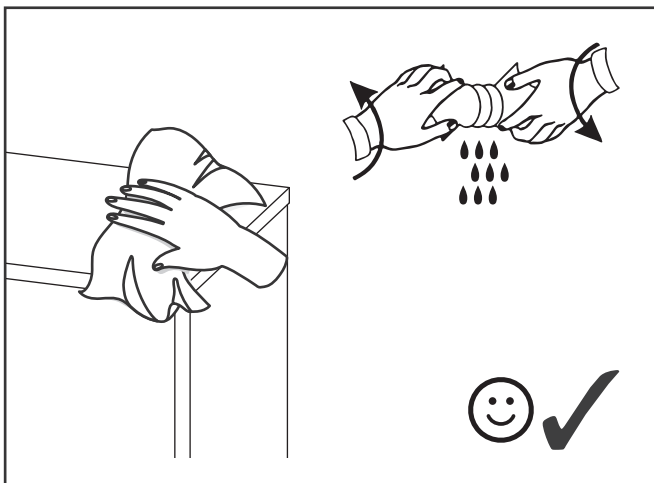
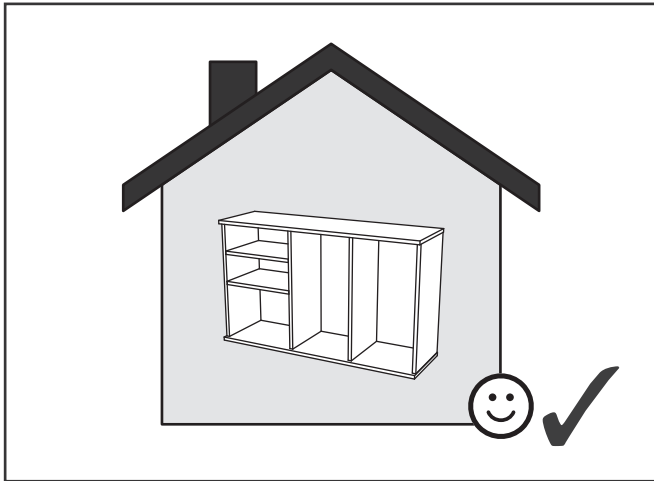


Ø 5x11mm



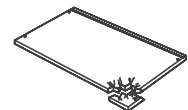
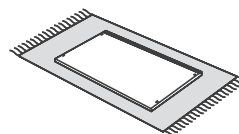
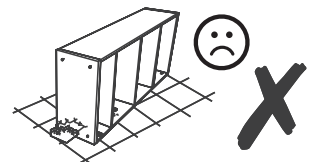
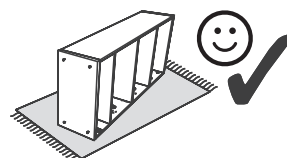
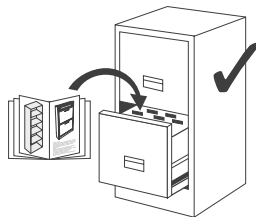
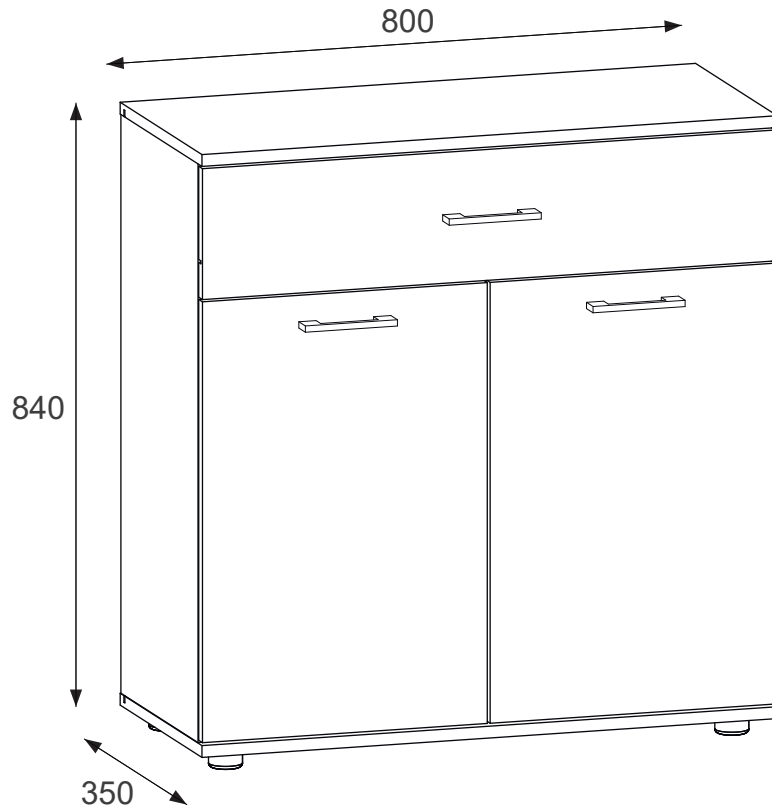
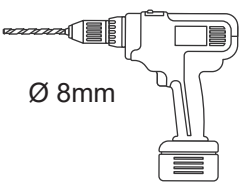
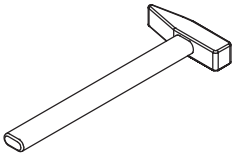
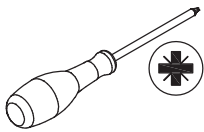
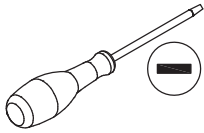
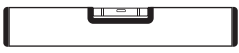
# 2

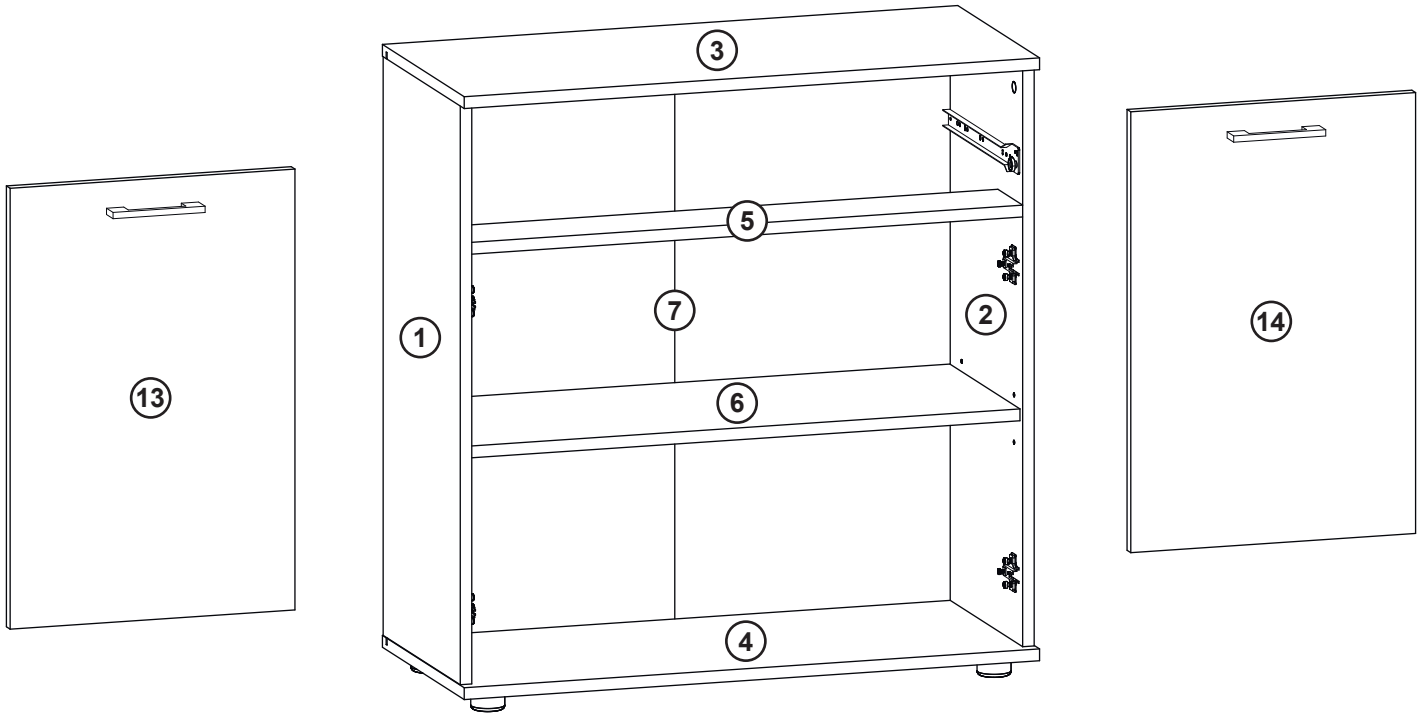
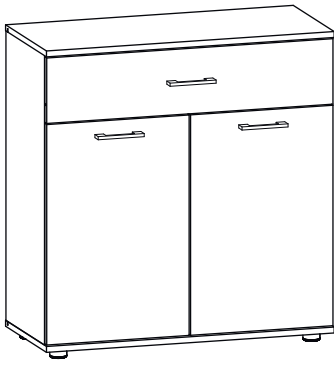




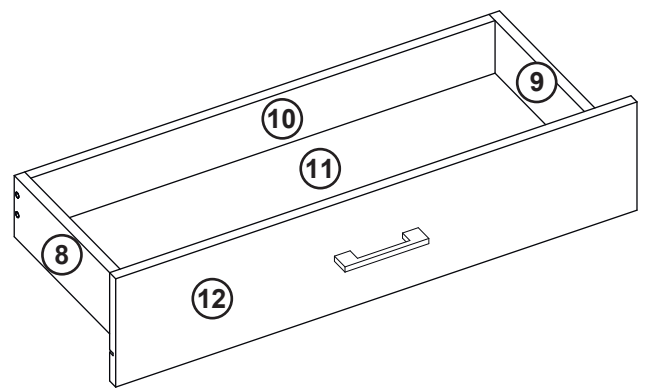


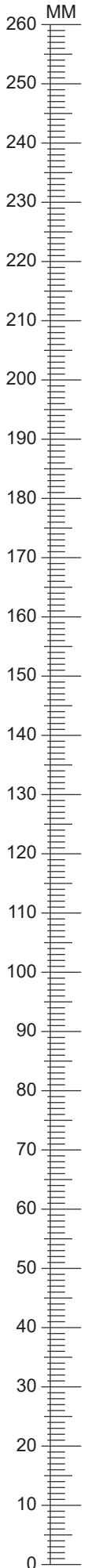
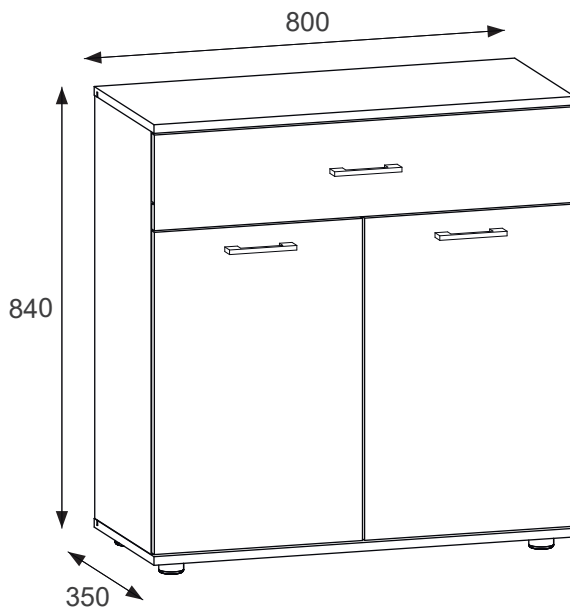
Modell **TYPE E**





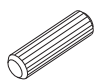


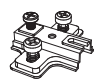
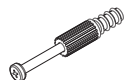
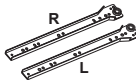

A	B (mm)		C
1	783	330	1/1
2	783	330	1/1
3	800	350	1/1
4	800	350	1/1
5	767	106	1/1
6	765	300	1/1
7	798	780	1/1
8	300	100	1/1
9	300	100	1/1
10	709	100	1/1
11	724	300	1/1
12	796	177	1/1
13	396	596	1/1
14	396	596	1/1

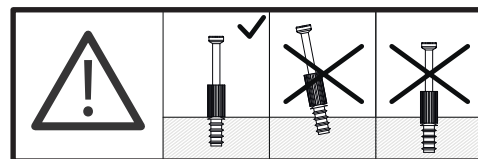
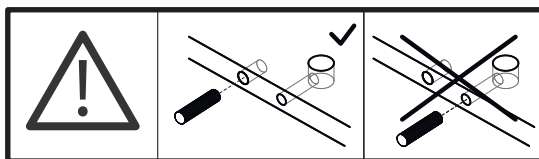
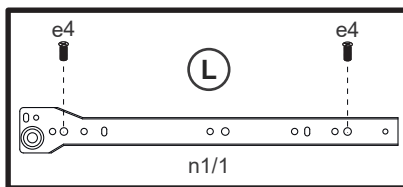
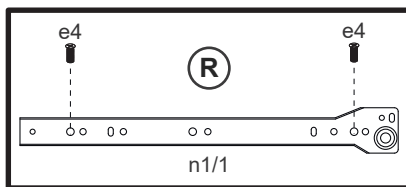
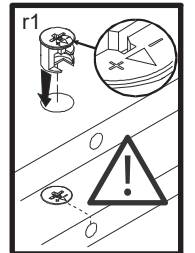
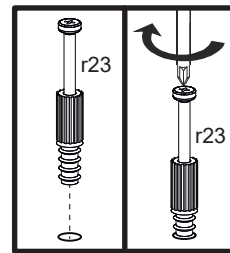
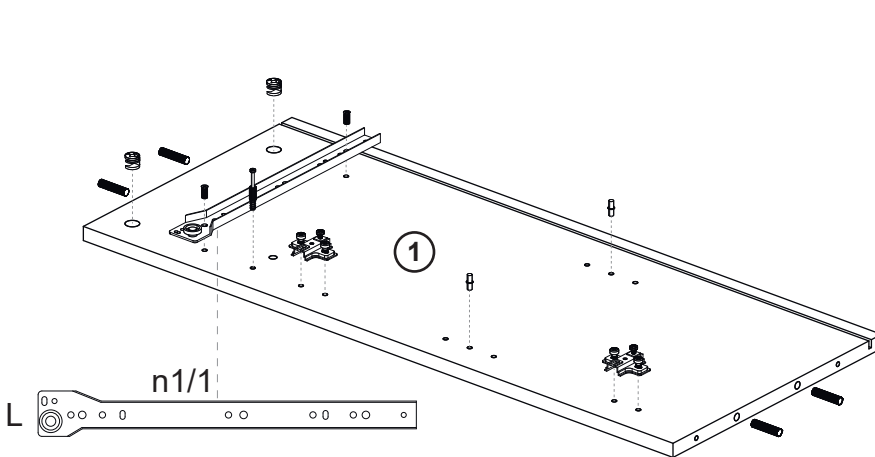
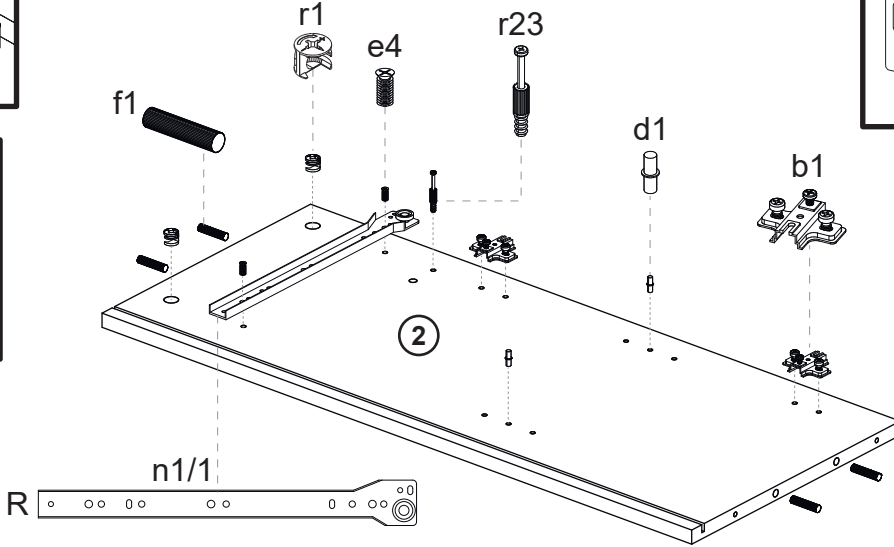
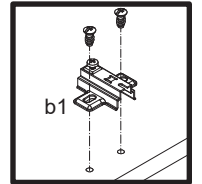
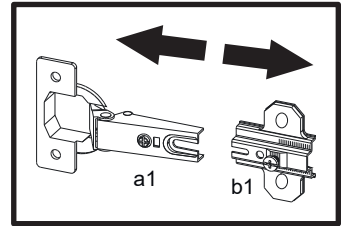
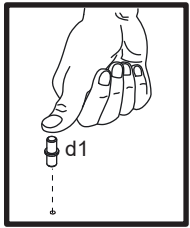
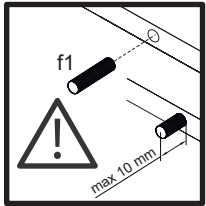




1x  4mm <b>z1</b>	8x  Ø 6,3x50mm <b>e27</b>	12x  Ø 8x30mm <b>f1</b>
8x  Ø 15x12mm <b>r1</b>	8x  45mm <b>r23</b>	1x  L=300mm <b>n1/1</b>
4x  Ø 35mm <b>a1</b>	4x  40x50x12mm <b>b1</b>	1x  L=300mm <b>n1/2</b>
10x  10x10x15mm <b>l2</b>	4x  25x45x45mm <b>k43</b>	1x  Ø 8x50mm <b>y1</b>
5x  Ø 4,2x16mm <b>p21</b>	4x  Ø 4x25mm <b>p23</b>	6x  Ø 4x25mm <b>p26</b>
6x  Ø 3x16mm <b>p50</b>	8x  Ø 3,5x16mm <b>p51</b>	1x  Ø 5x50mm <b>p60</b>
3x  L=96/128mm <b>c238</b>	4x  Ø 5mm <b>d1</b>	4x  Ø 6,3x13mm <b>e4</b>
1x  L=75x25x15mm <b>n14/2</b>	4x  Ø 20mm <b>s1</b>	4x  Ø 12mm <b>s3</b>



<b>1</b>	<b>f1 x 8</b>  Ø 8x30mm	<b>r1 x 4</b>  Ø 15x12mm	<b>d1 x 4</b>  Ø 5mm	<b>b1 x 4</b>  40x50x12mm	<b>r23 x 2</b>  45mm	<b>n1/1 x 1</b>  L=300mm	<b>e4 x 4</b>  Ø 6,3x13mm
----------	--	---	---	--	--	---	--



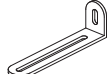
# 2

r23 x 4



45mm

n14/2 x 1



L=75x25x15mm

p50 x 2



Ø 3x16mm

f1 x 2

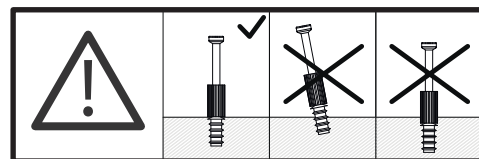
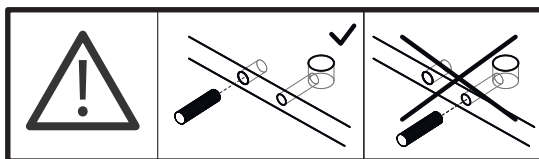
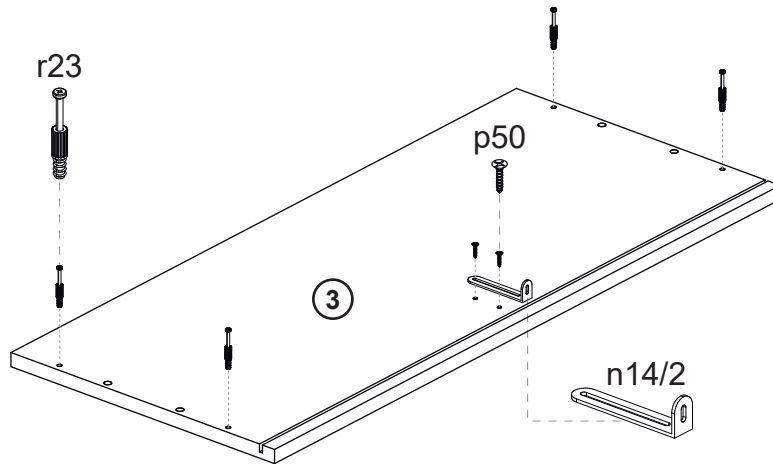
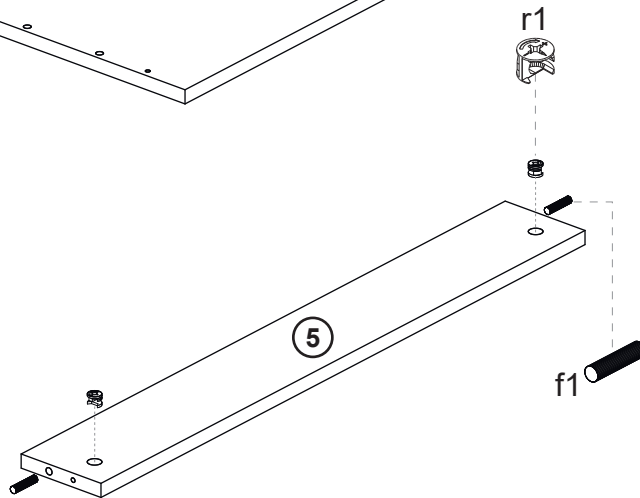
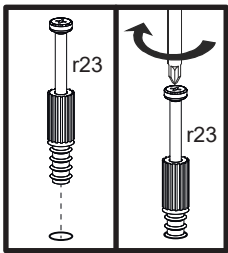
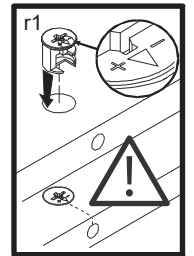
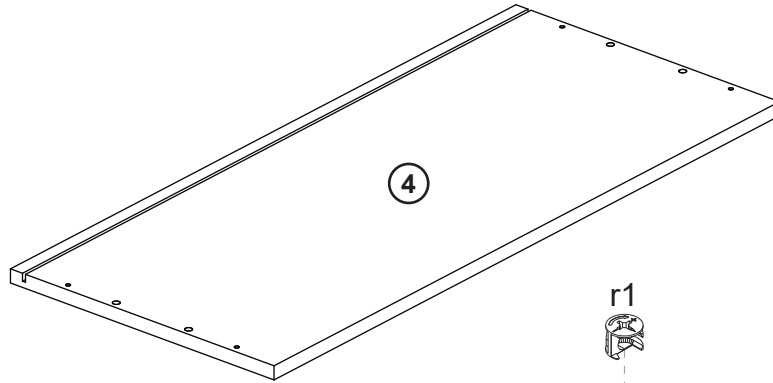
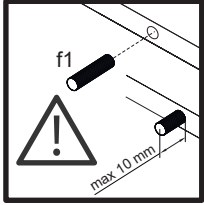


Ø 8x30mm

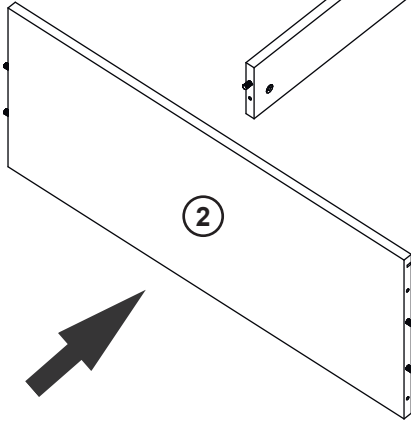
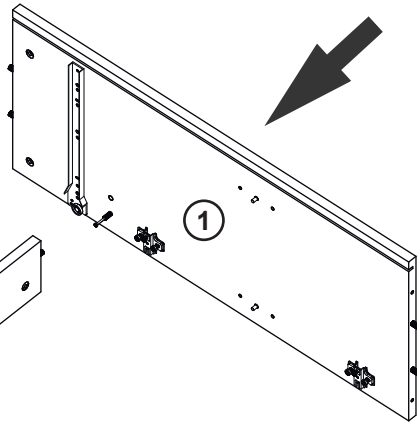
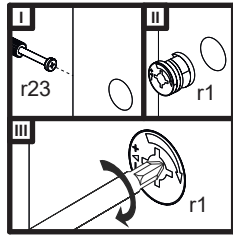
r1 x 2



Ø 15x12mm



3

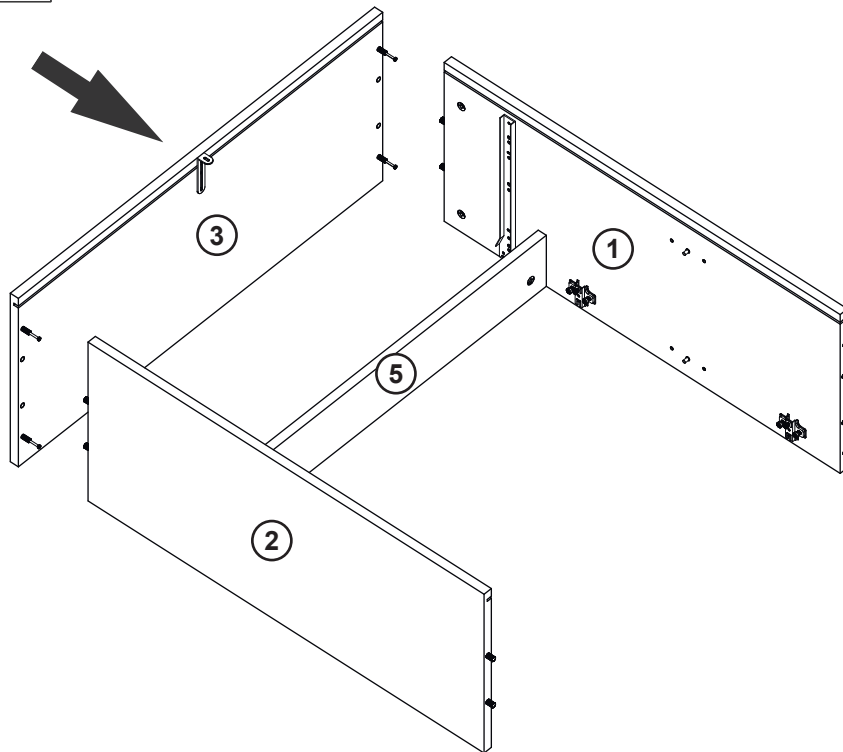
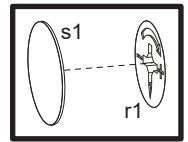
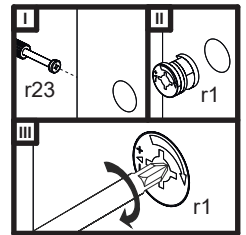


4

s1 x 4

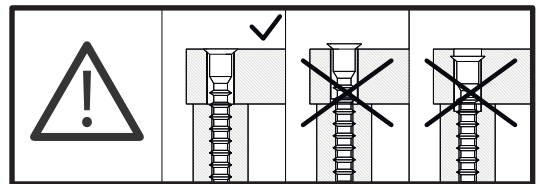
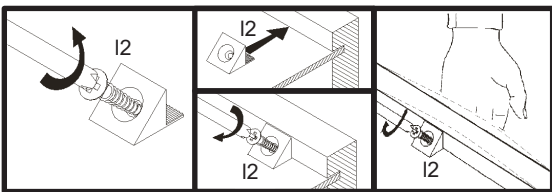
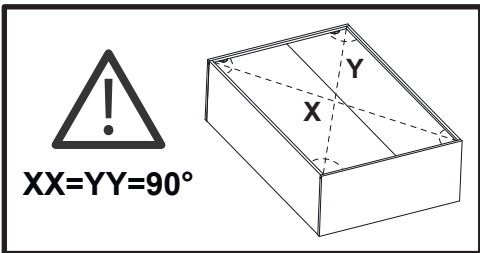
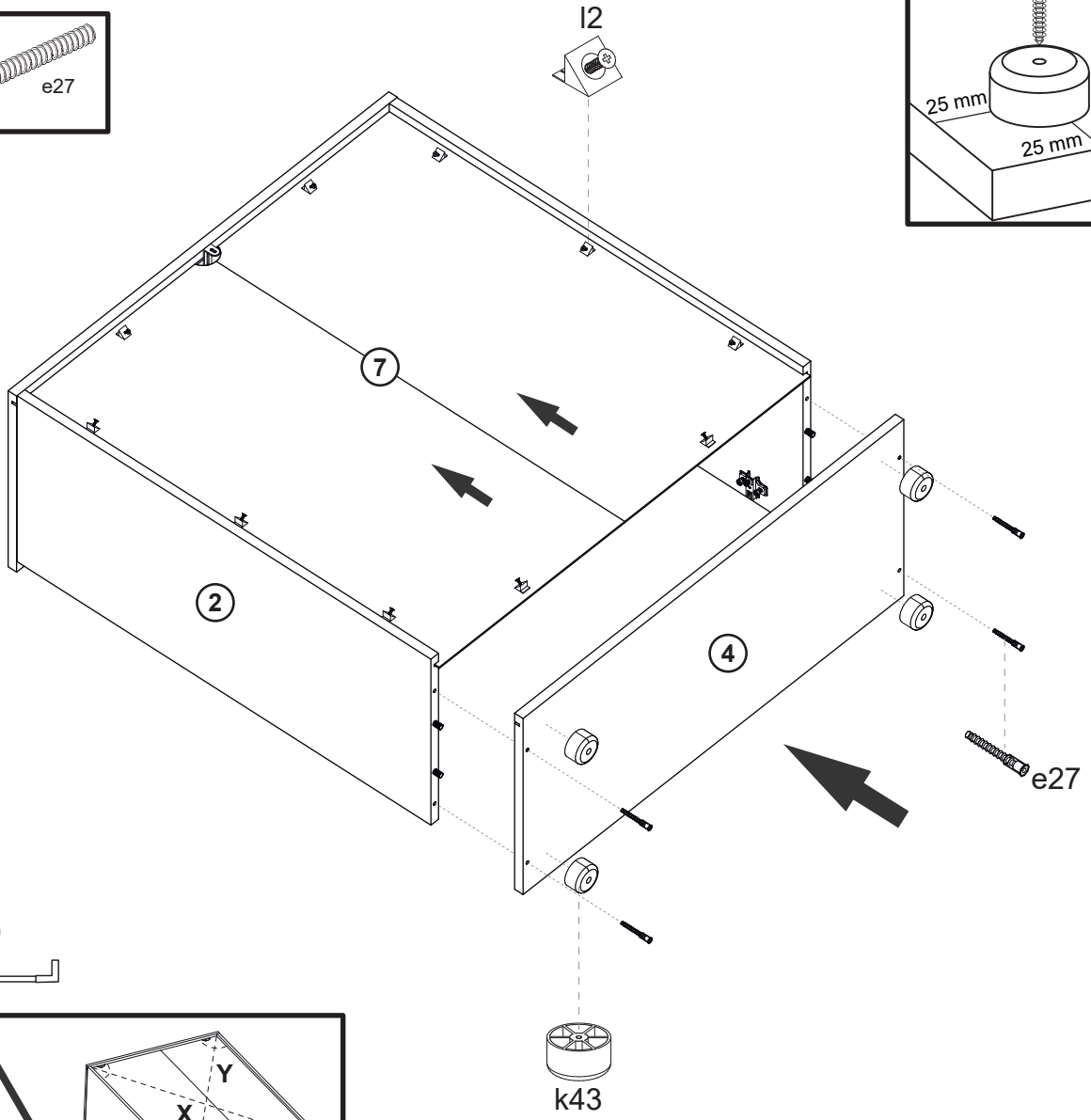
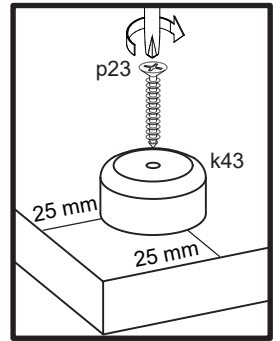
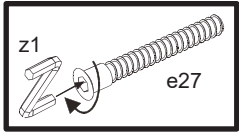


Ø 20mm



# 5

e27 x 4 Ø 6,3x50mm	z1 x 1 4mm	l2 x 10 10x10x15mm	k43 x 4 25x45x45mm	p23 x 4 Ø 4x25mm
-----------------------	---------------	-----------------------	-----------------------	---------------------



# 5

f1 x 2



Ø 8x30mm

r1 x 2



Ø 15x12mm

r23 x 2



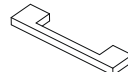
45mm

p26 x 2

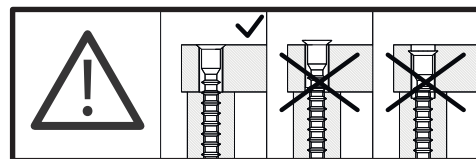
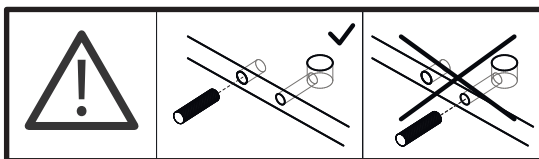
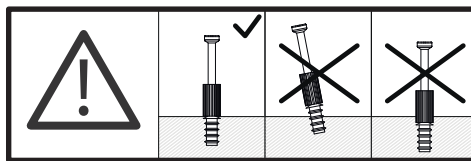
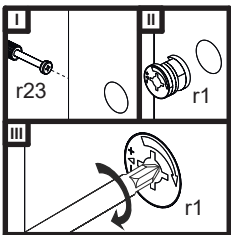
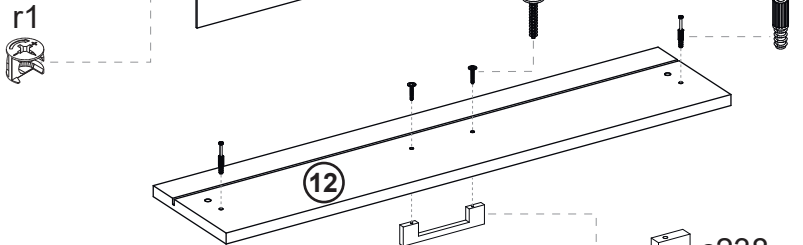
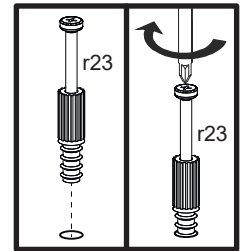
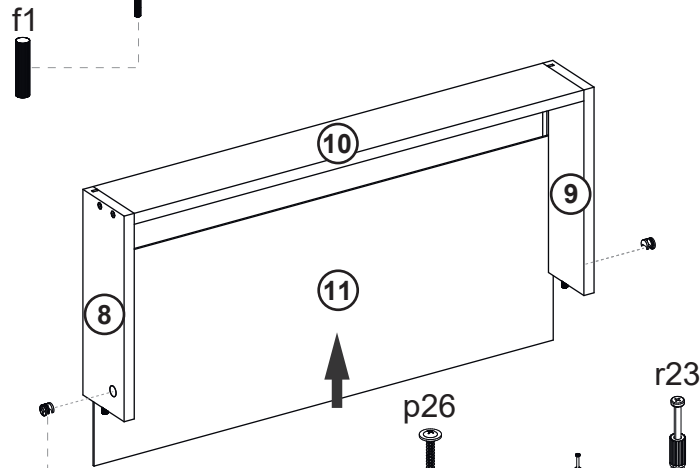
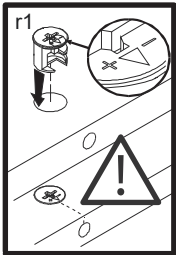
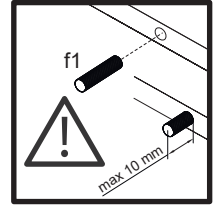
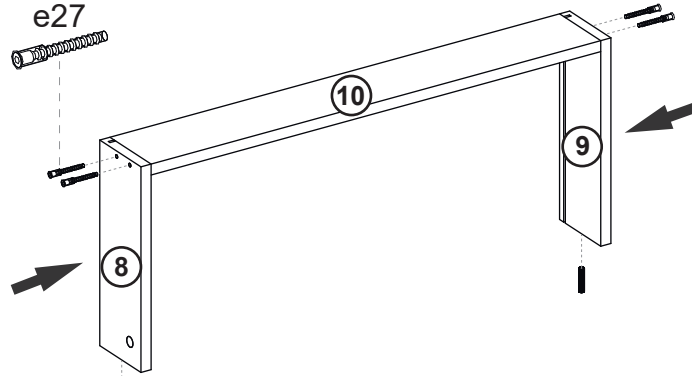
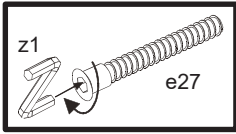


Ø 4x25mm

c238 x 1



L=96/128mm



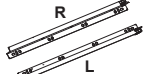
# 6

p50 x 4

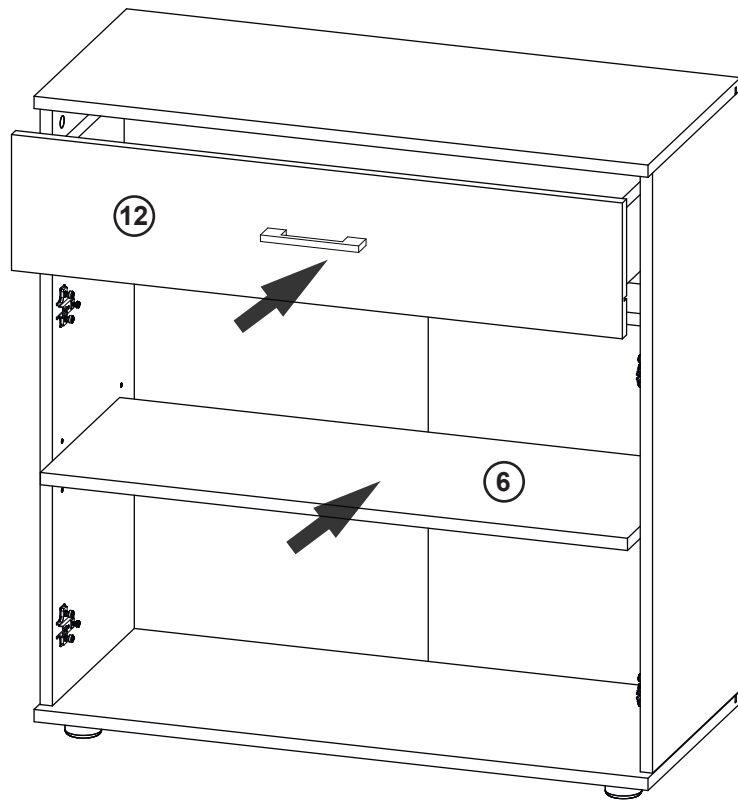
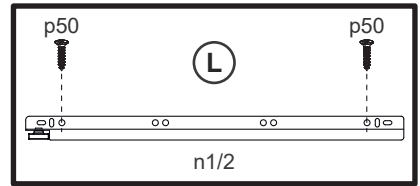
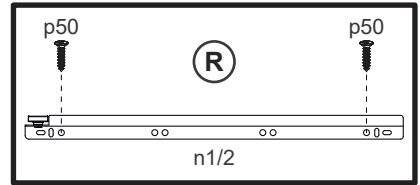
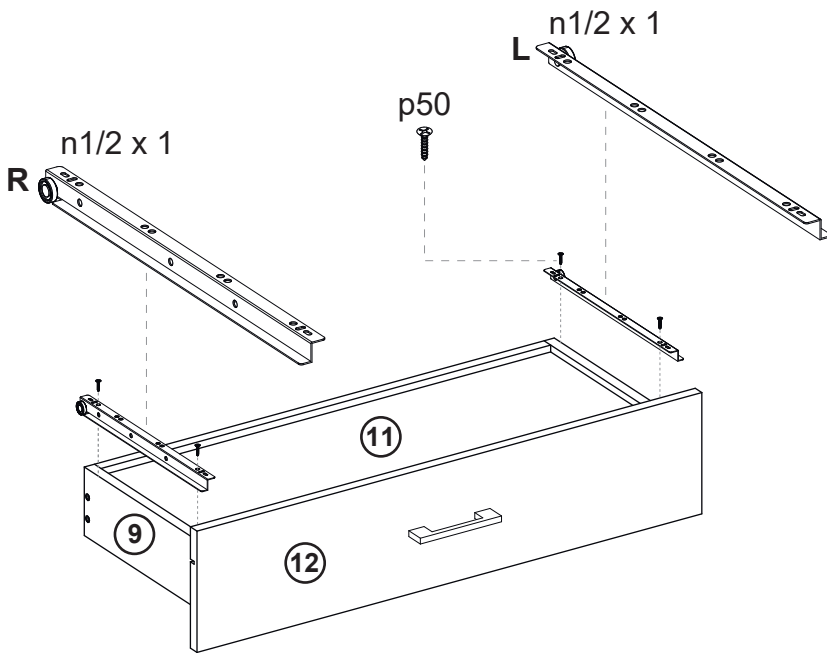


Ø 3x16mm

n1/2 x 1



L=300mm



# 7

p26 x 4



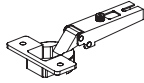
Ø 4x25mm

p51 x 8



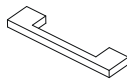
Ø 3,5x16mm

a1 x 4

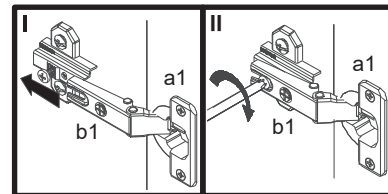
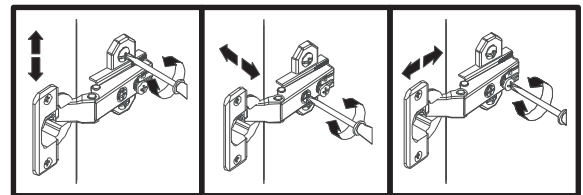
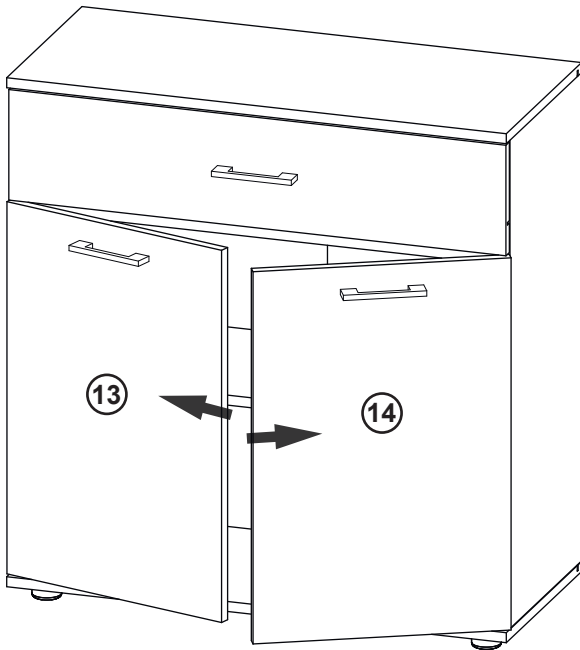
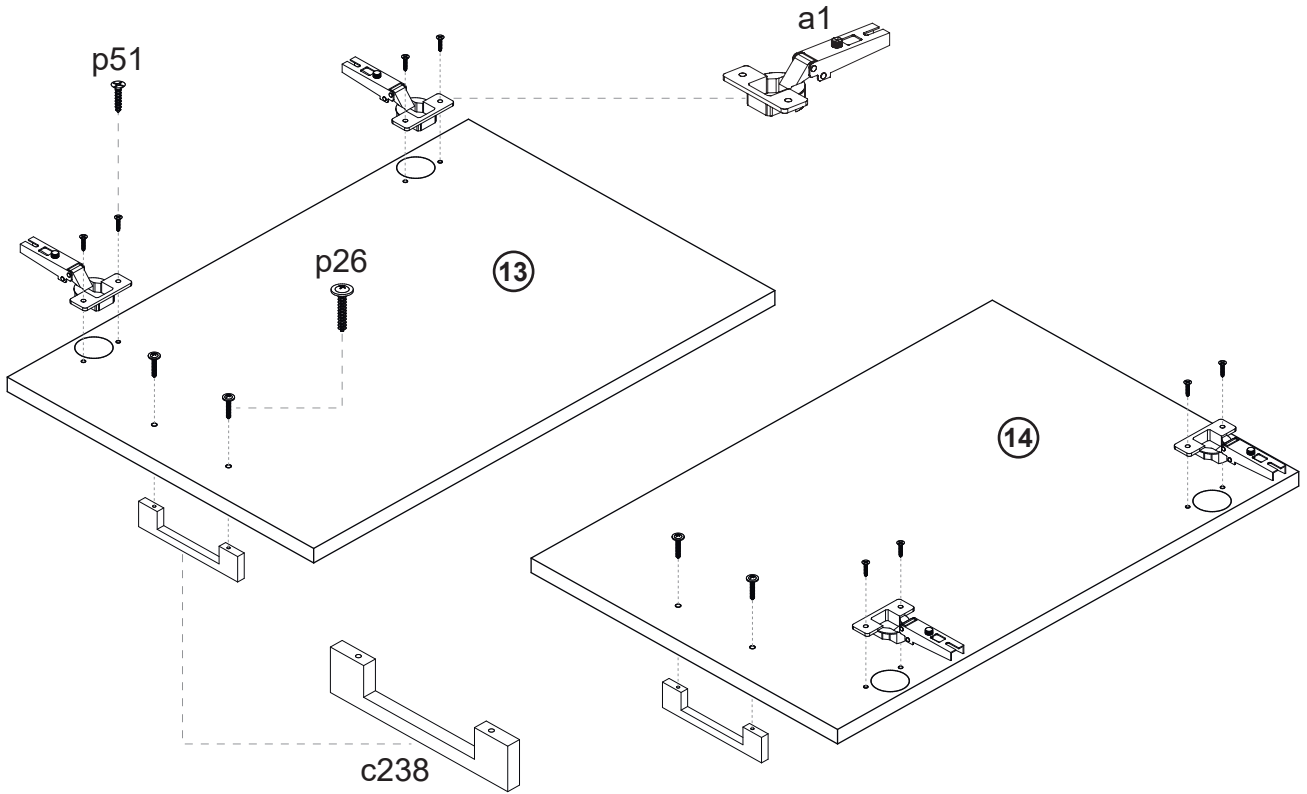


Ø 35mm

c238 x 2



L=96/128mm



# 8

p60 x 1



Ø 5x50mm

y1 x 1



Ø 8x50mm

