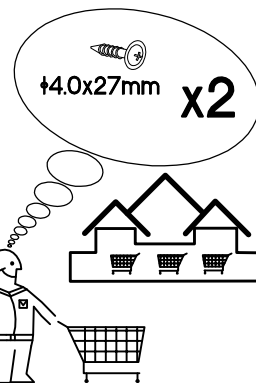
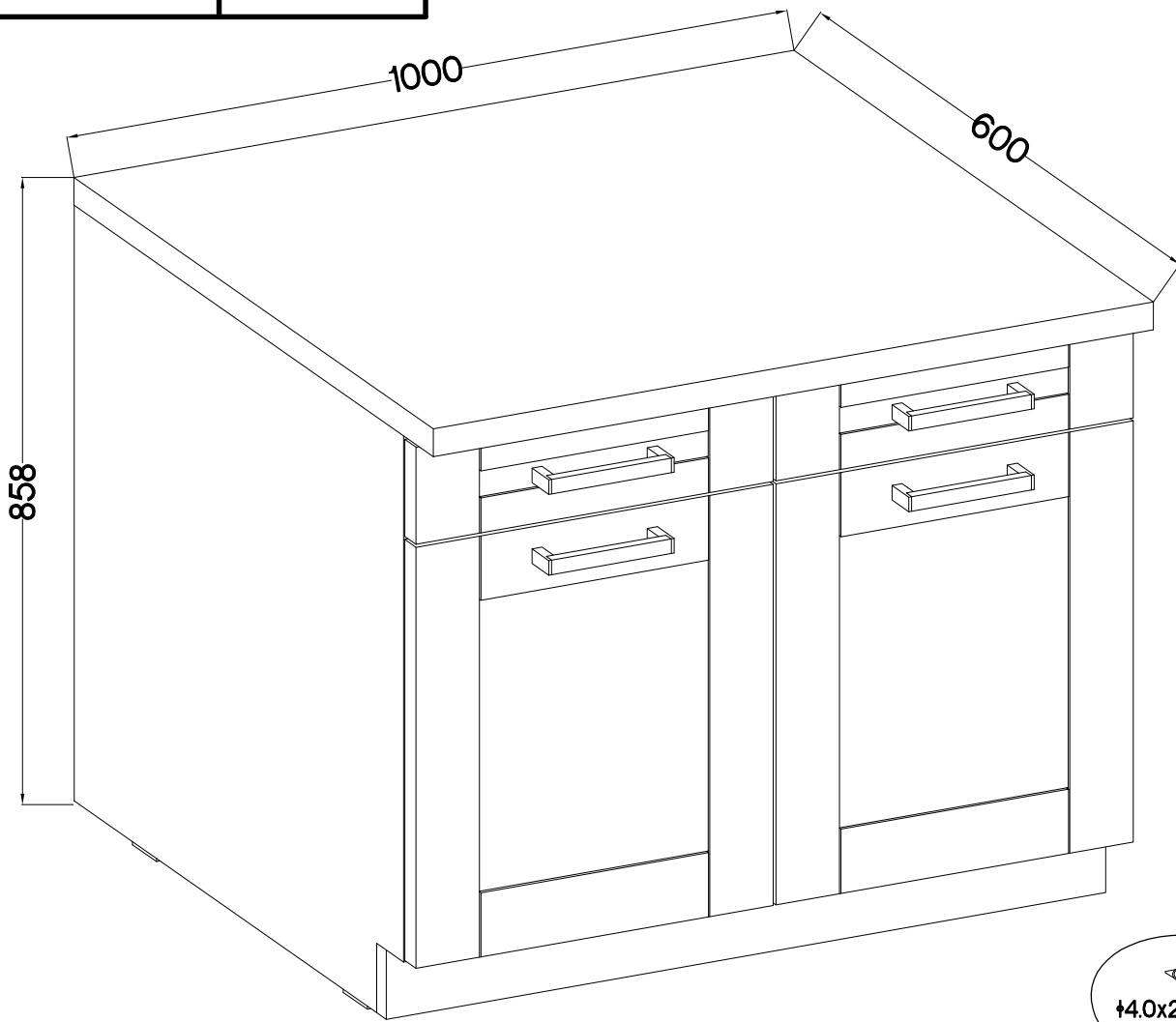


90 min

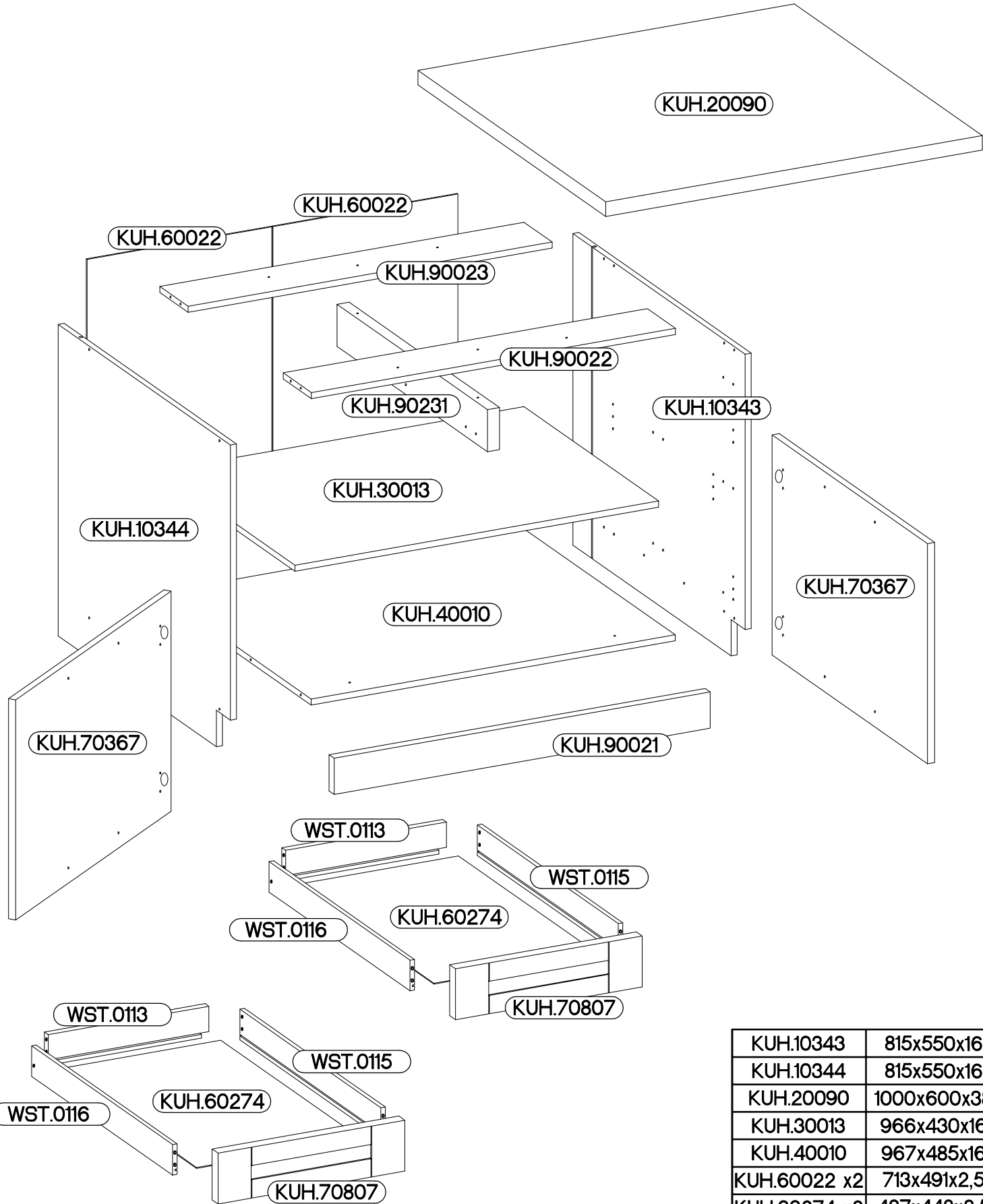
US 100

00020010-12



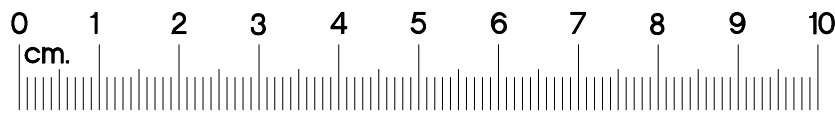
 A 16	 B 10	 B2 4	 C5 4	 D2 4	 E1 8	 E9 2							
 F2 4	 HG 4	 L=450mm 2		 J 4	 L 4	 L1 1	 M2 16	 O 1	 P4 2	 P5 12			
 P7 24	 R3 4	 S 4	 T14 2	 T15 2	 U 4	 U8 4							

ISM-KUH-01239



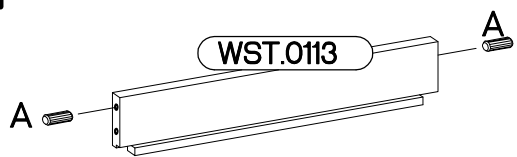
max. 10kg KUH.30013
KUH.40010


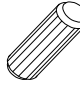

max. 2 kg KUH.60274

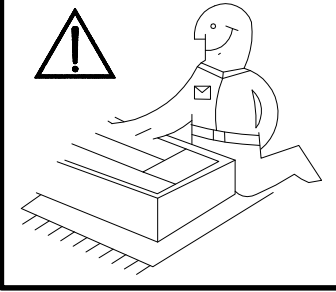


KUH.10343	815x550x16
KUH.10344	815x550x16
KUH.20090	1000x600x38
KUH.30013	966x430x16
KUH.40010	967x485x16
KUH.60022 x2	713x491x2,5
KUH.60274 x2	437x448x2,5
KUH.70807 x2	133x496x19
KUH.70367 x2	576x496x19
KUH.90022	967x90x16
KUH.90023	967x90x16
KUH.90021	999x95x16
KUH.90231	480x110x32
WST.0115 x2	450x80x12
WST.0116 x2	450x80x12
WST.0113 x2	427x80x12

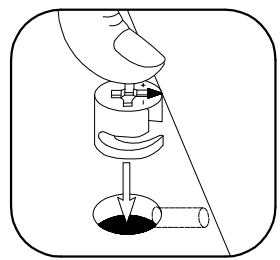
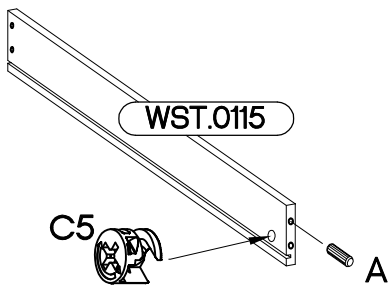
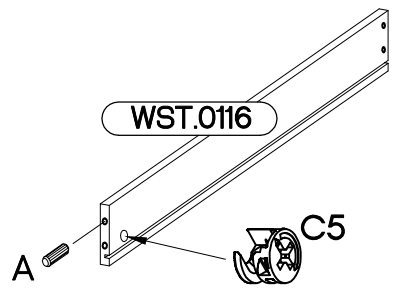
1



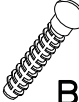

±12/10mm  C5 4	±8x30mm  A 8	 O1 1
---	--	---

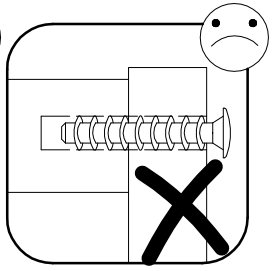
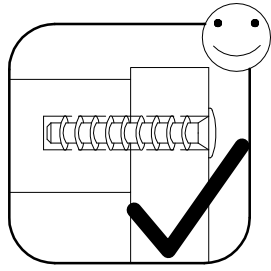


x2

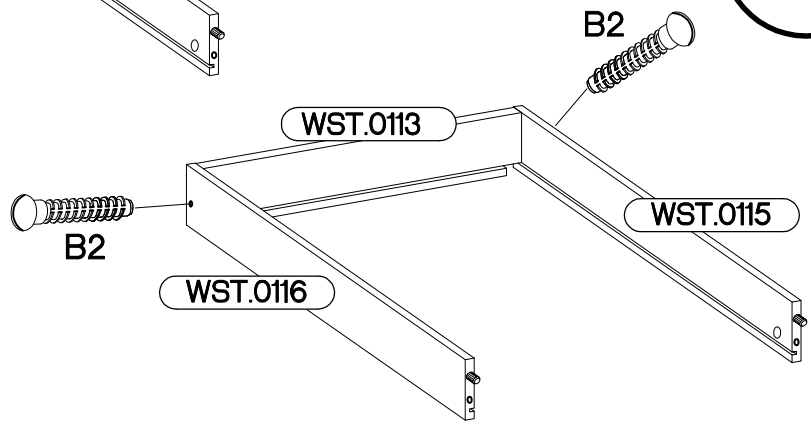
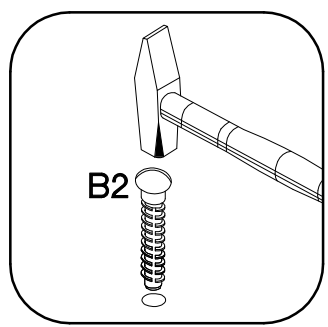
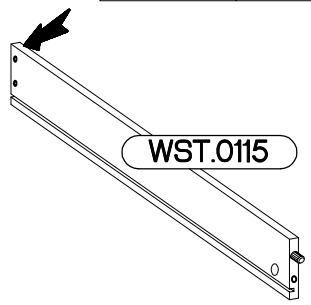
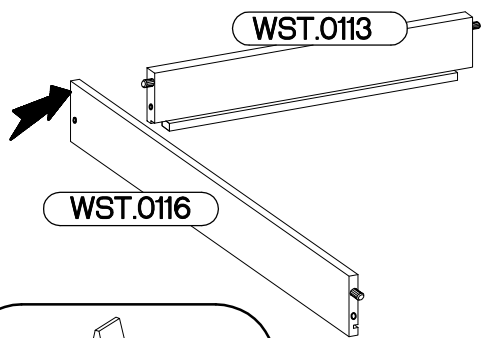


2


±6x42mm  B2 4	 O1 1
---	--



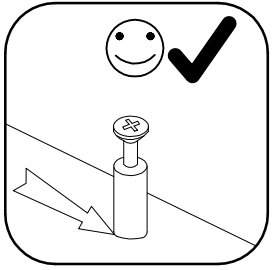
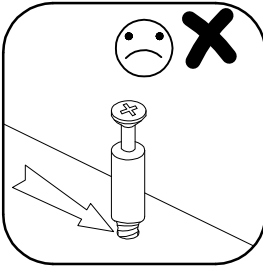
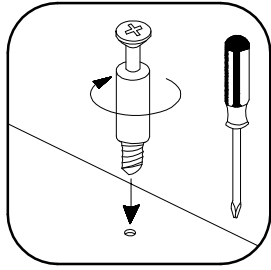
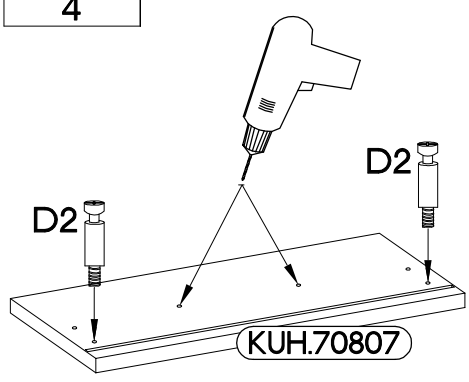
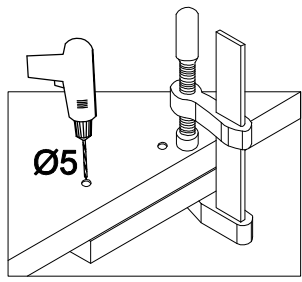
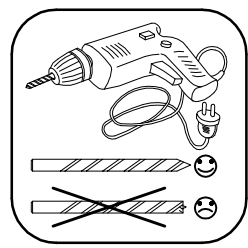
x2



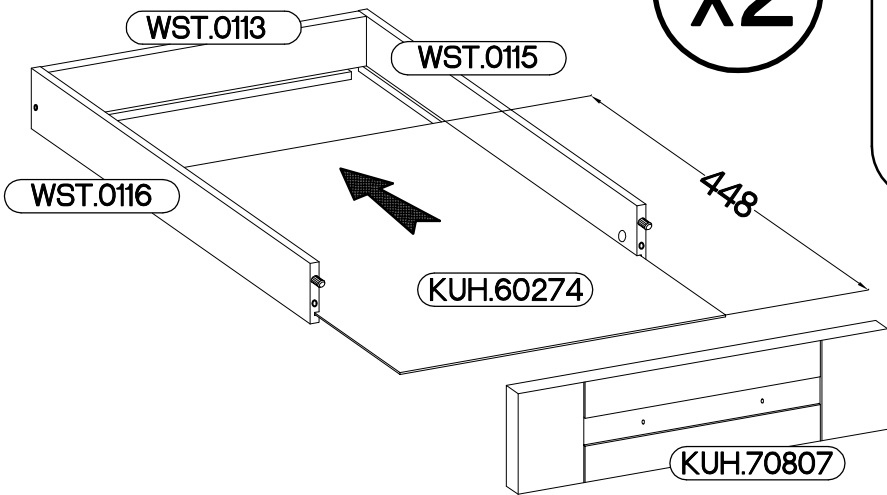
3

L=20mm  D2 4
--

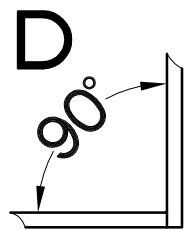
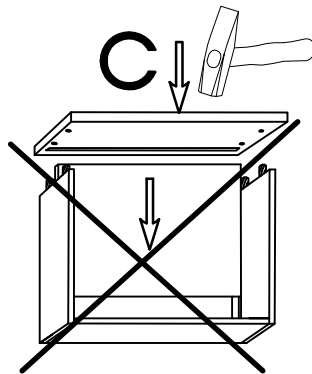
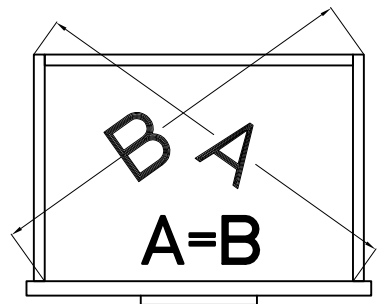
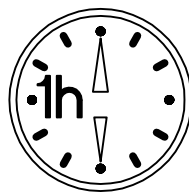
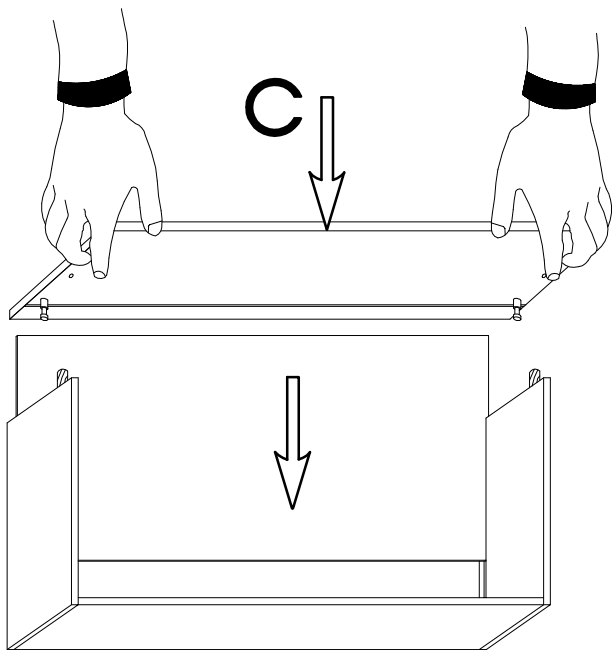
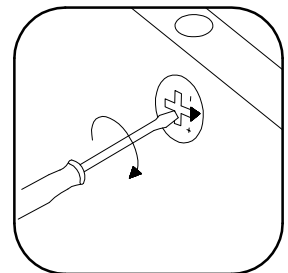
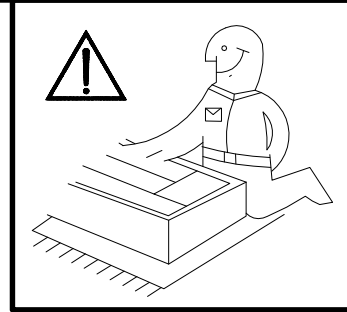
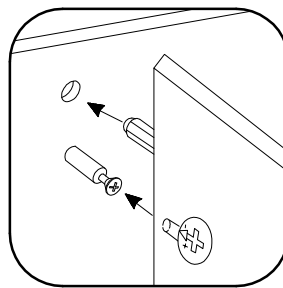
x2



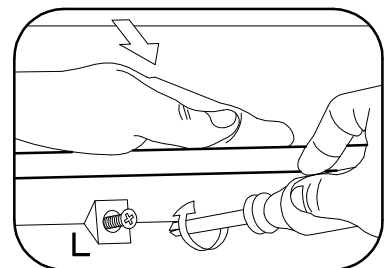
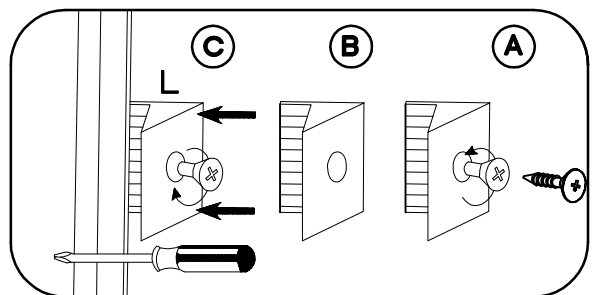
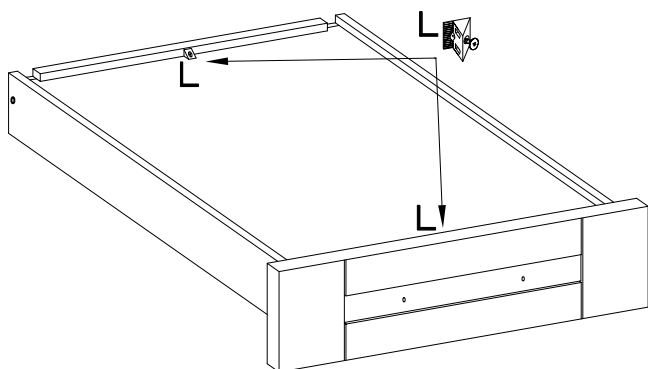
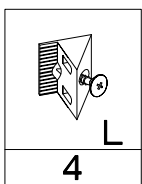
4



x2

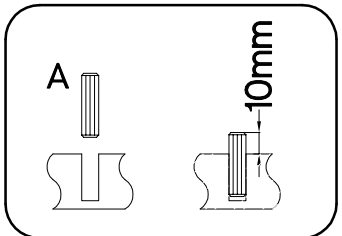
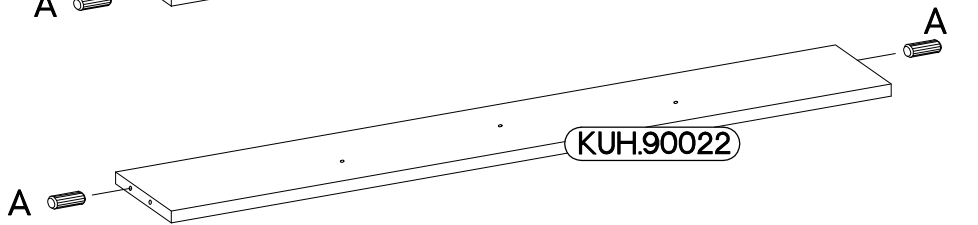
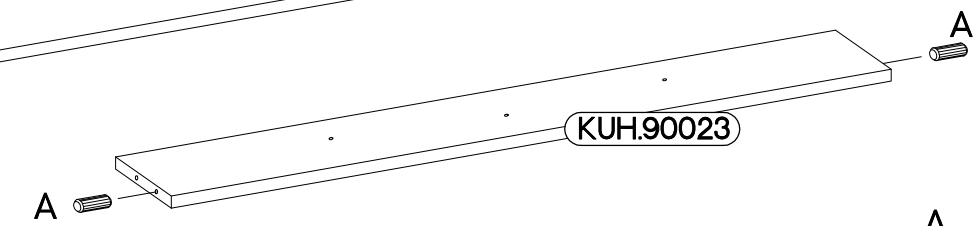
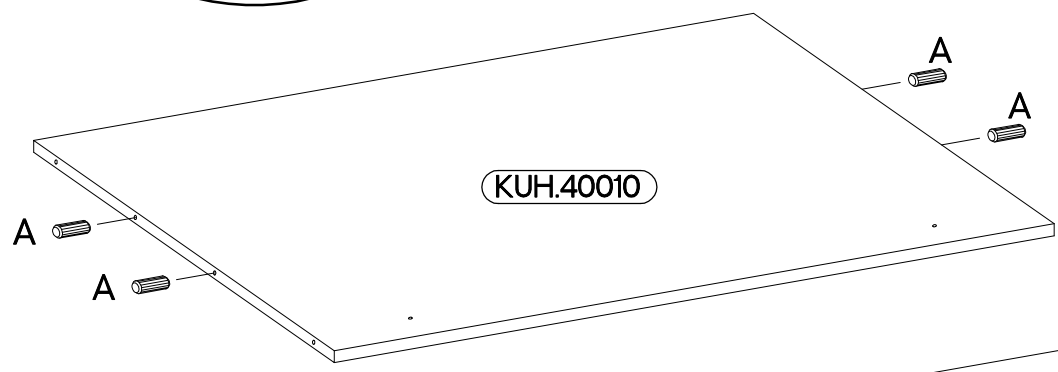
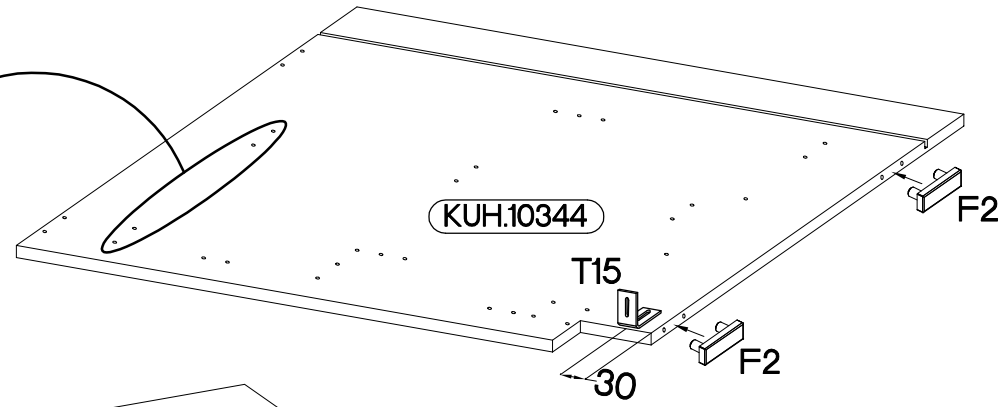
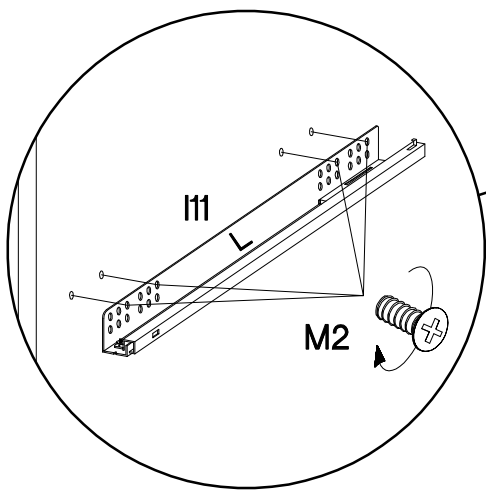
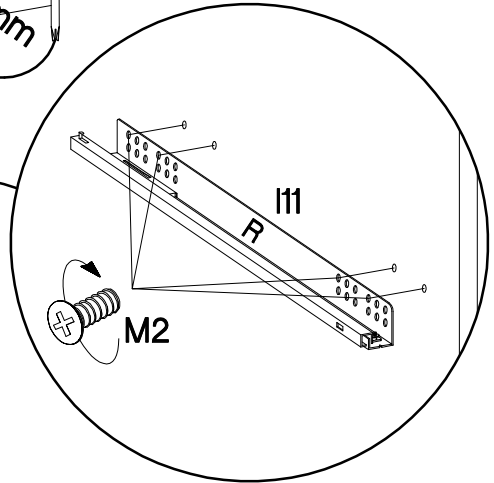
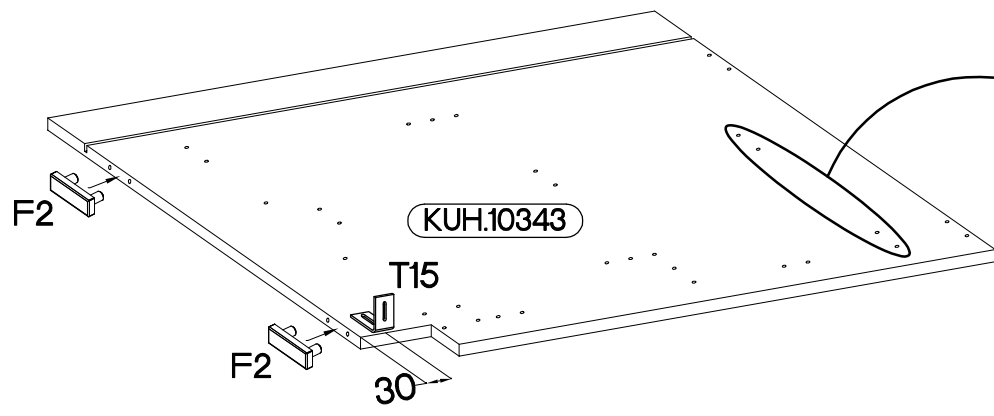
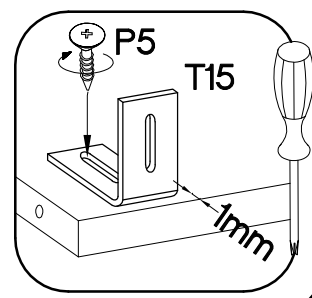
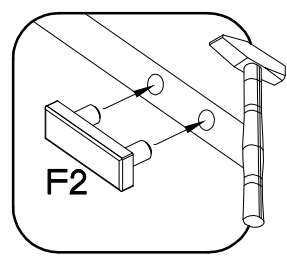
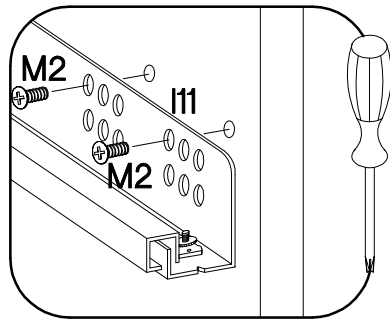
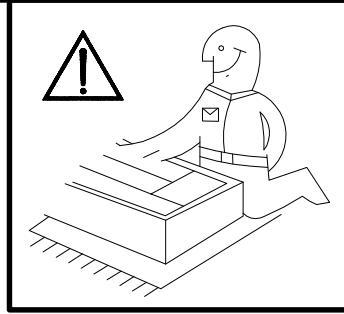


5


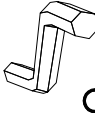
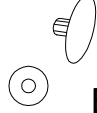


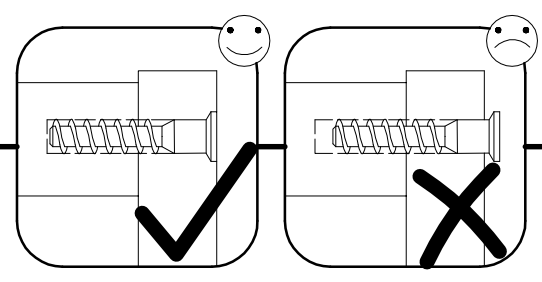
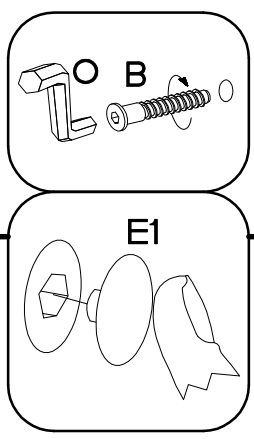
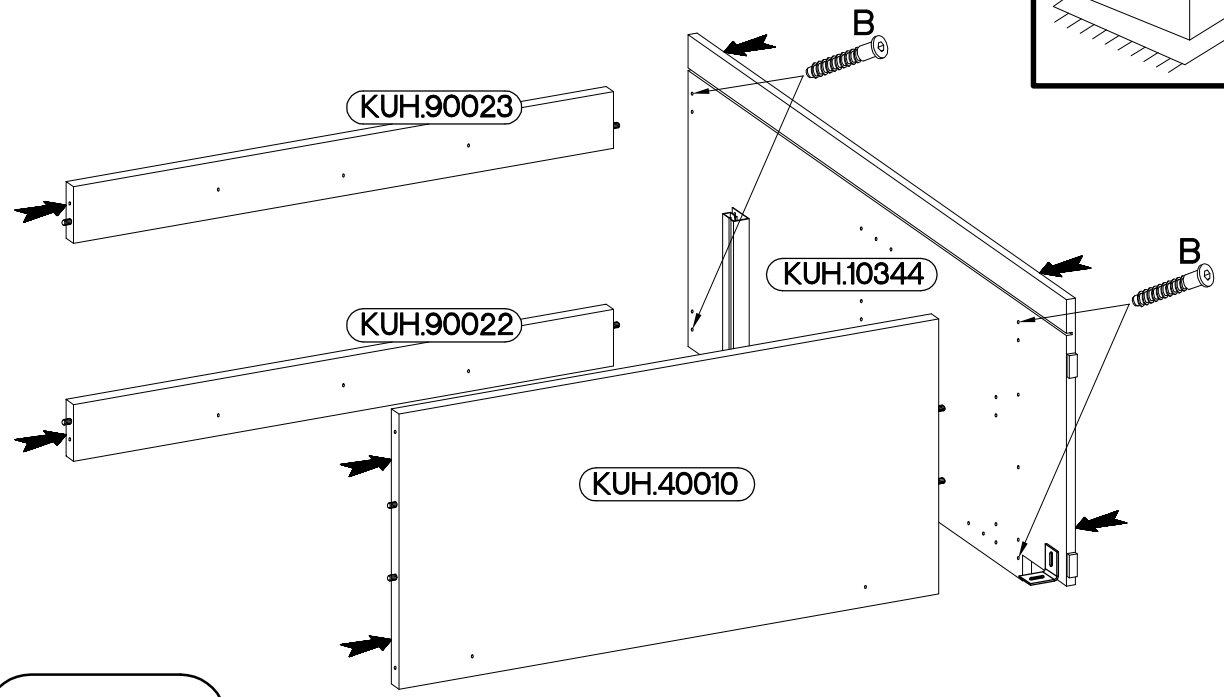
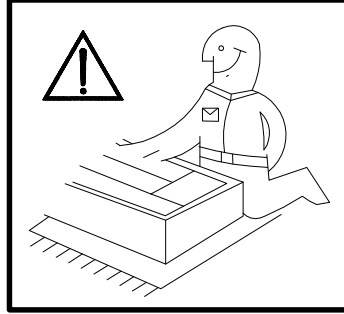
x2

6.5x48x16 F2 4	±8x30mm A 8	L=450mm L R 1	±6.3x13mm M2 8	±3.5x13mm P5 2	T15 2
----------------------	-------------------	---------------------	----------------------	----------------------	----------

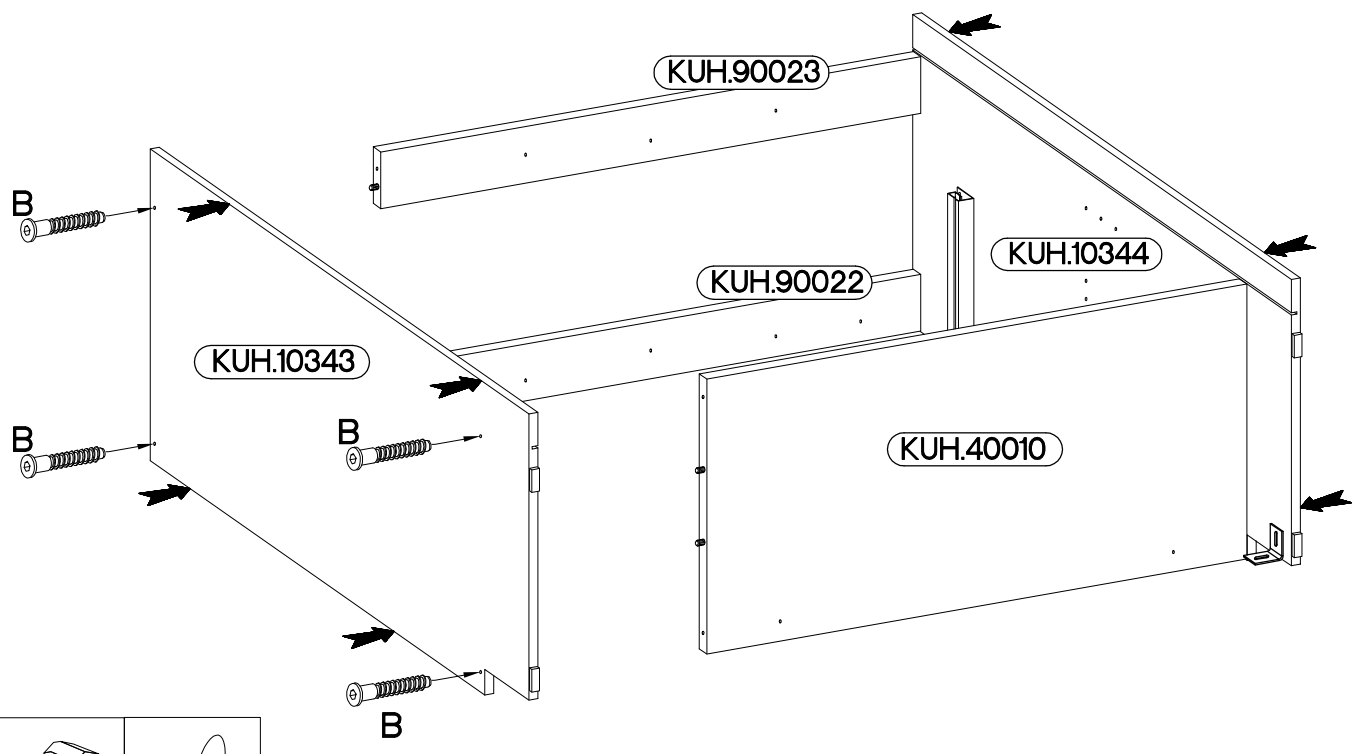


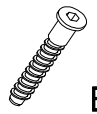
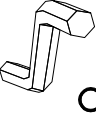
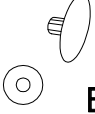
7

6,4 x 50mm		
		
B	O	E1
4	1	4



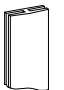
8



6,4 x 50mm		
		
B	O	E1
4	1	4

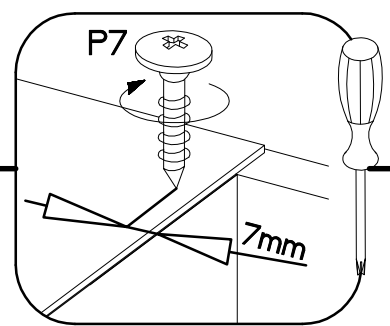
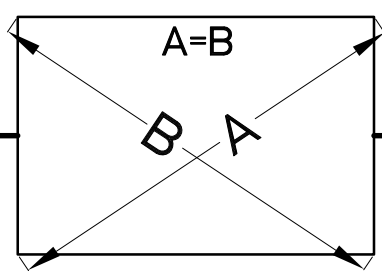
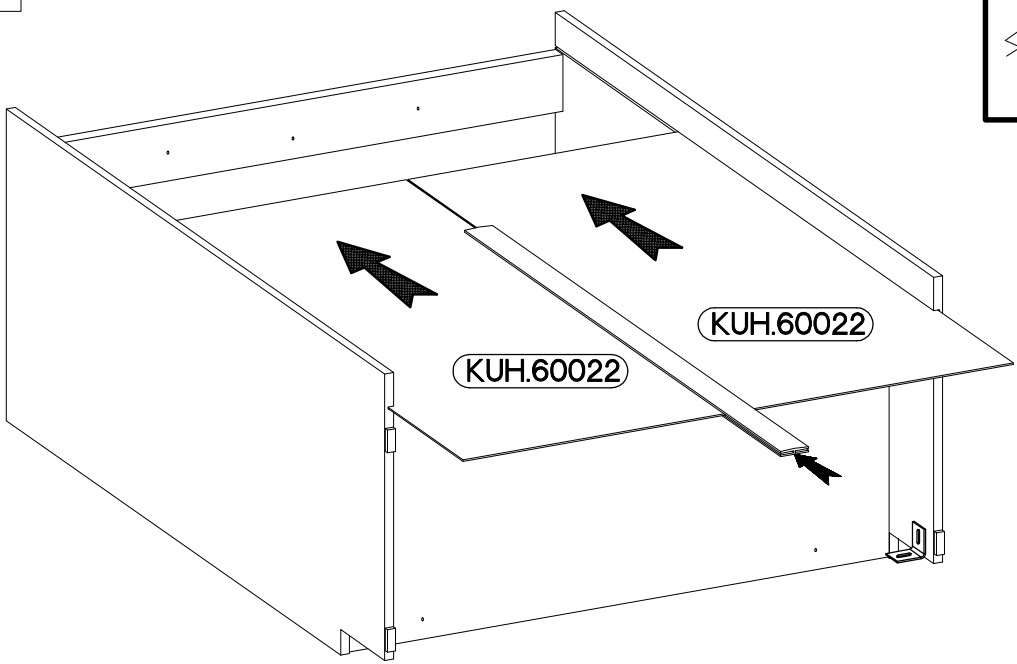
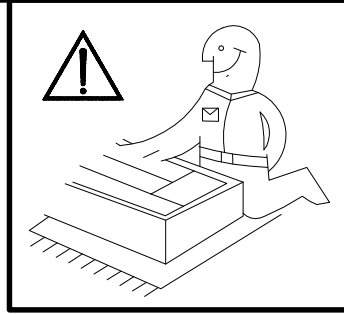
9

L=680mm




L1

1



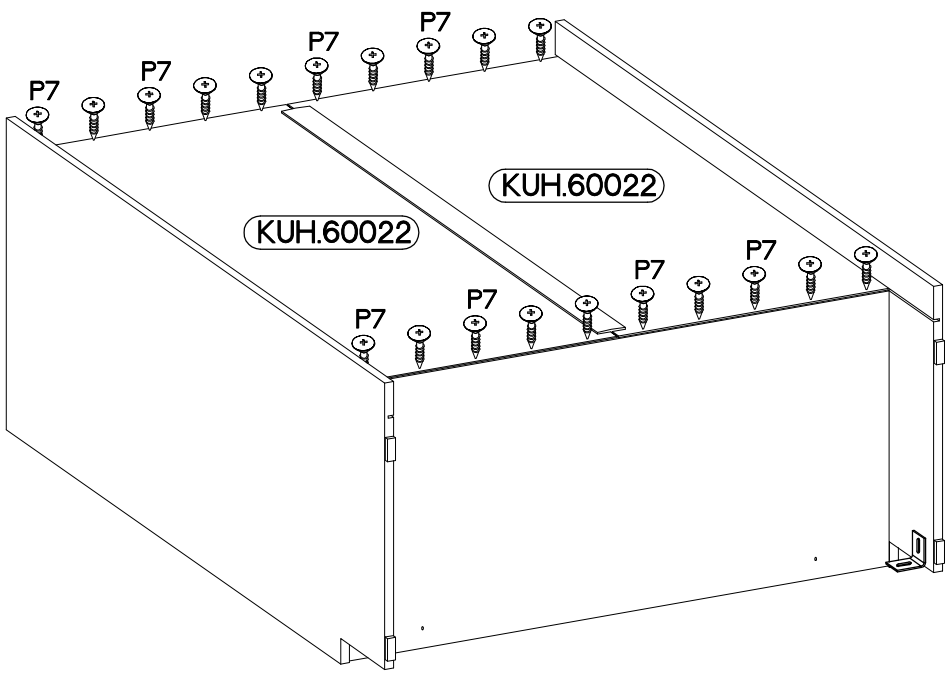
10

3.0x20mm

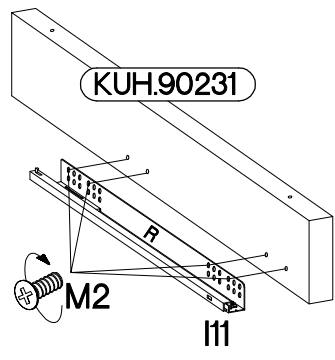


P7

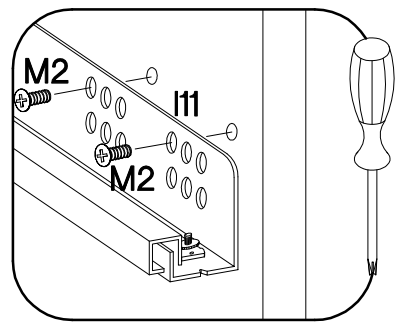
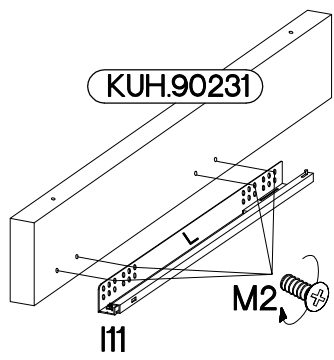
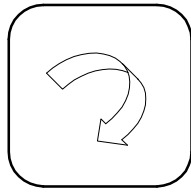
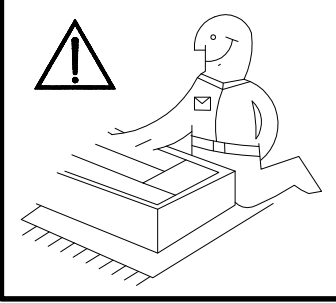
20



11

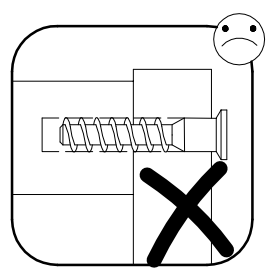
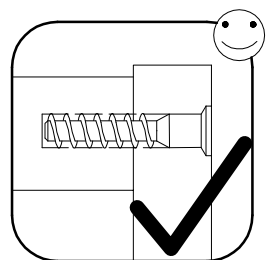
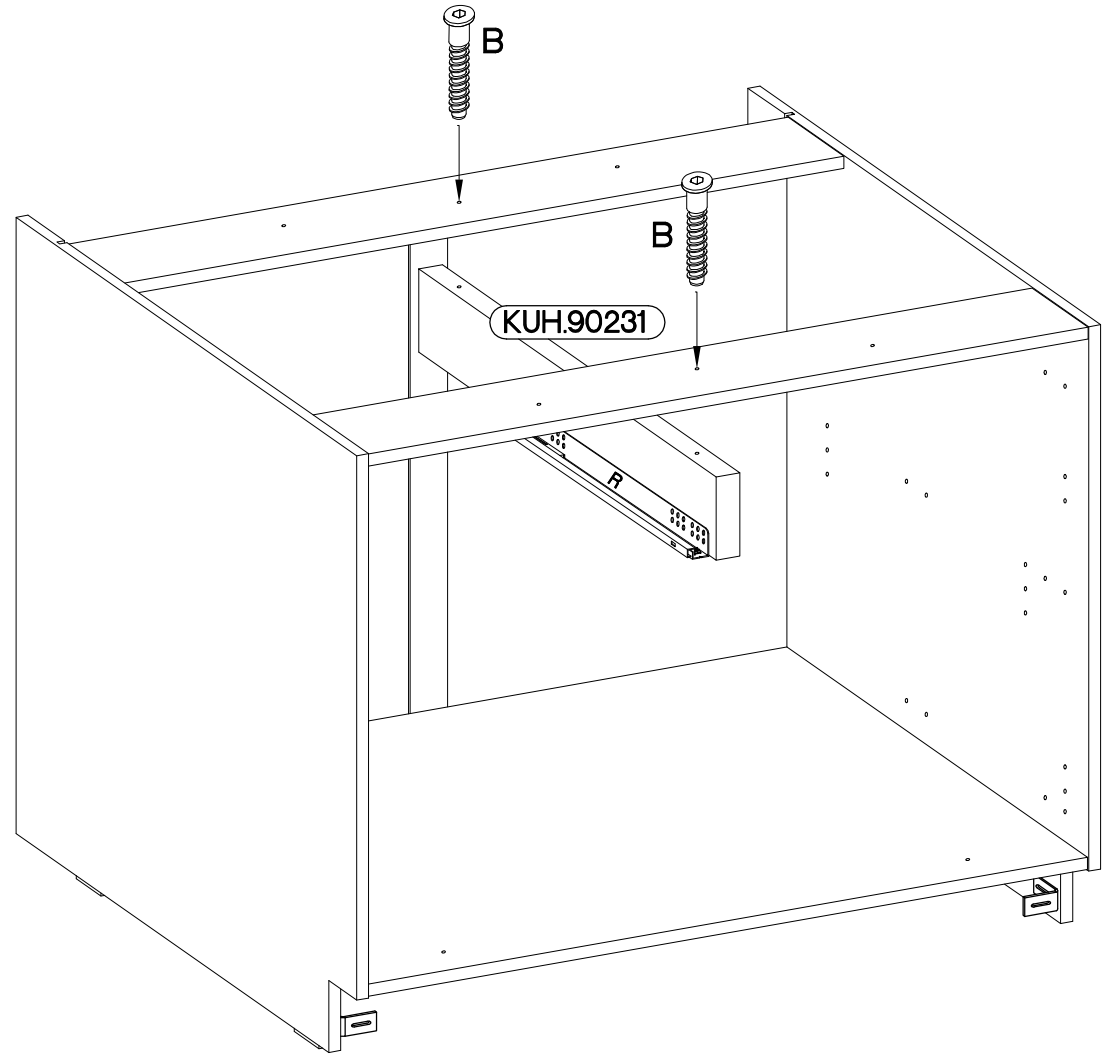
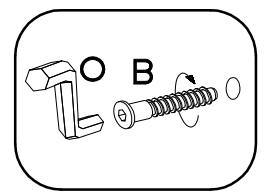


L=450mm	11	M2
1		8


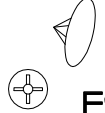




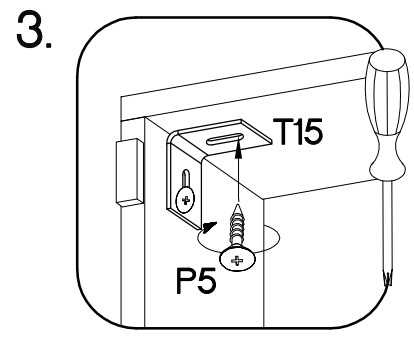
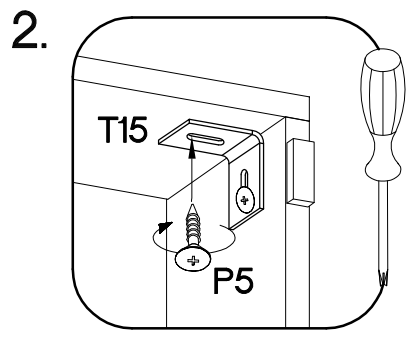
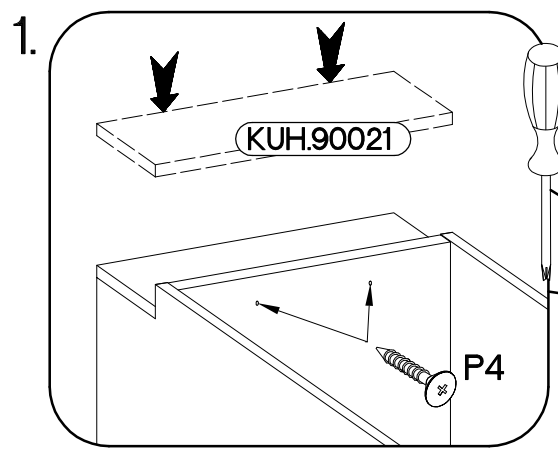
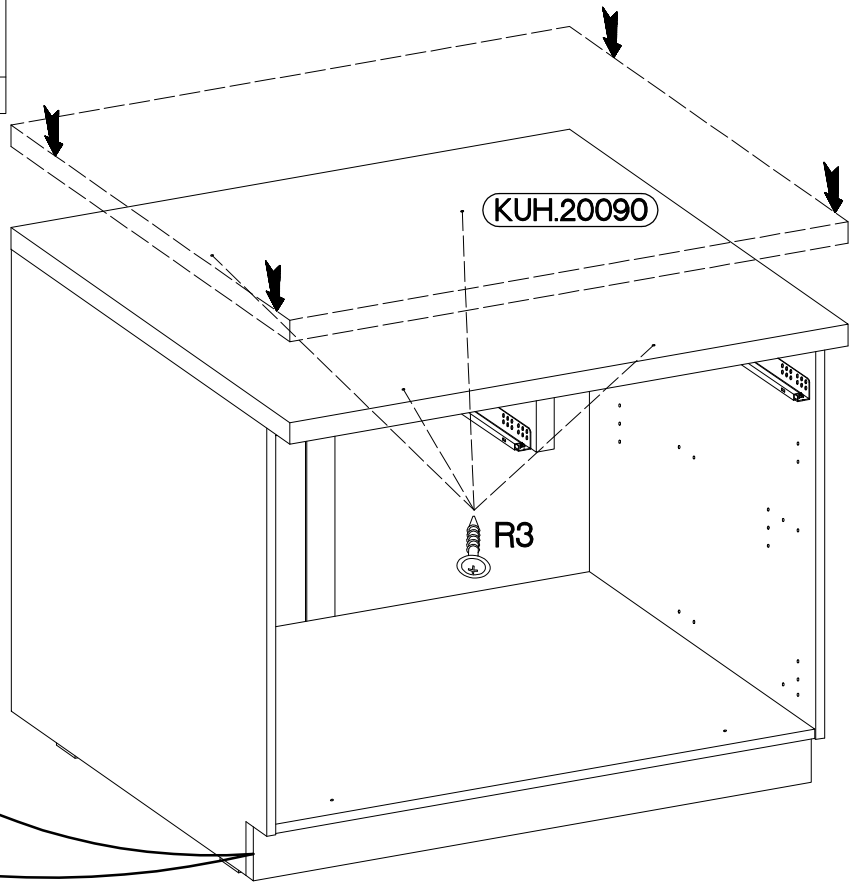
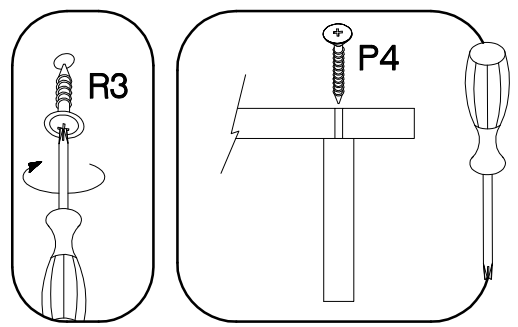
12

B	O
2	1

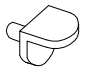


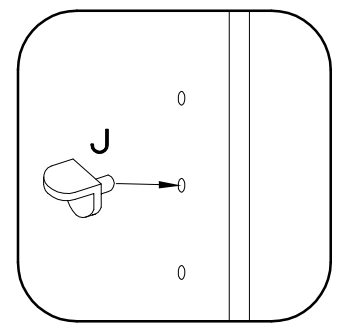
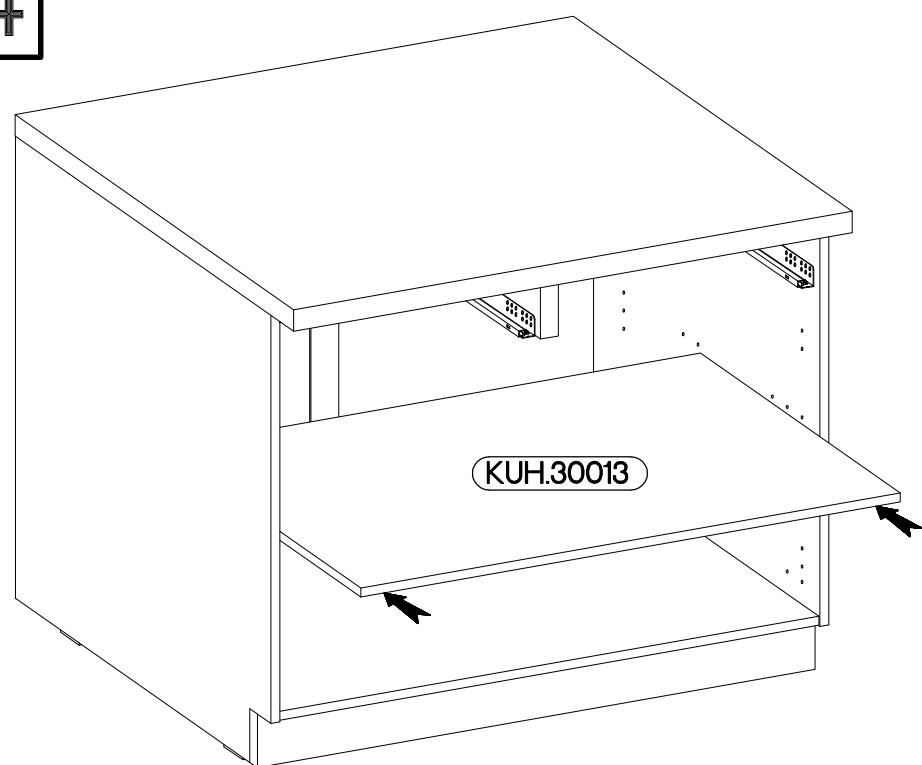
13




$\pm 4.0 \times 45 \text{mm}$  P4 2	 E9 2	$\pm 4.0 \times 35 \text{mm}$  R3 4	$\pm 3.5 \times 13 \text{mm}$  P5 2
---	--	---	---

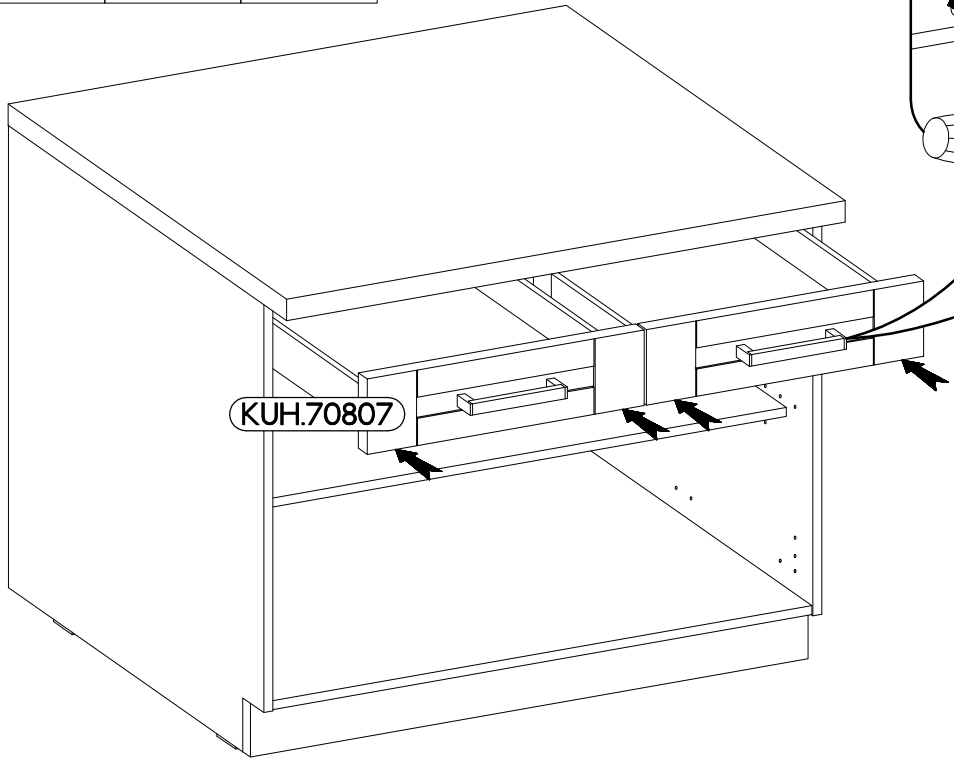


14

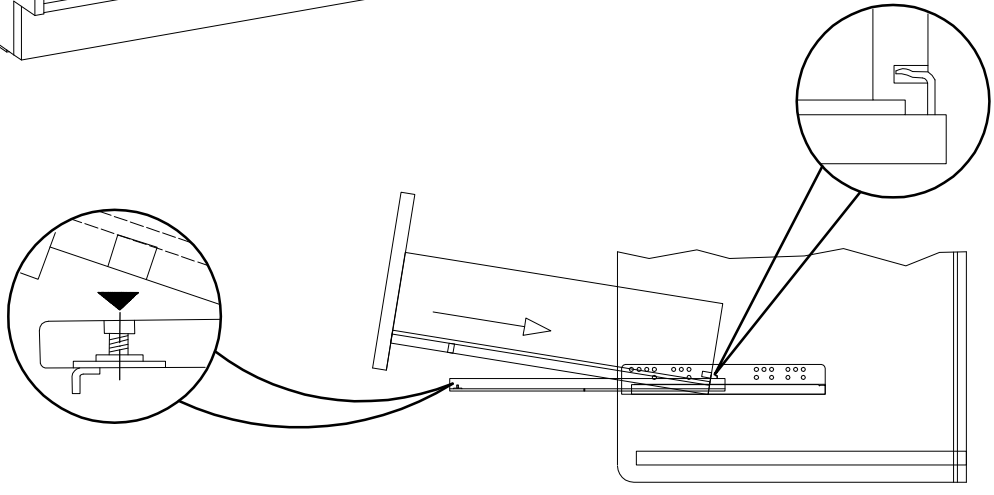
$\pm 5/19 \text{mm}$  J 4
--



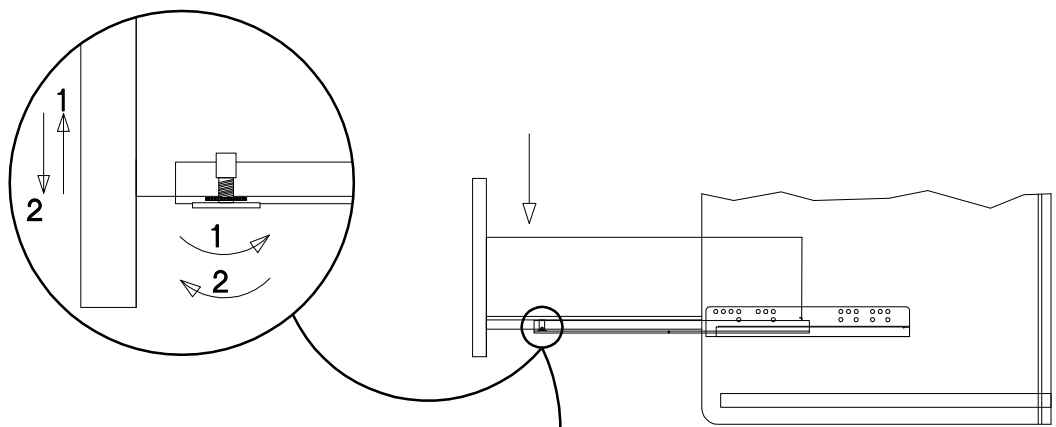
M4x22mm  U 4	 S 2	3.0x20mm  P7 4
---	--	---



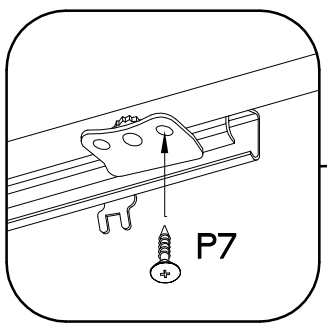
1.



2.



3.

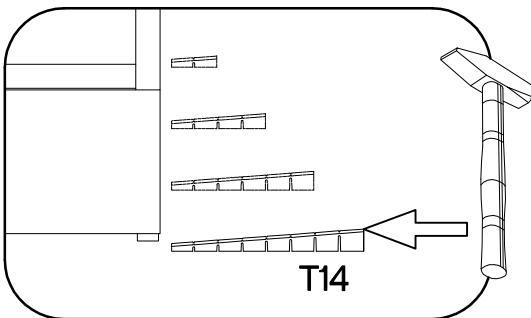
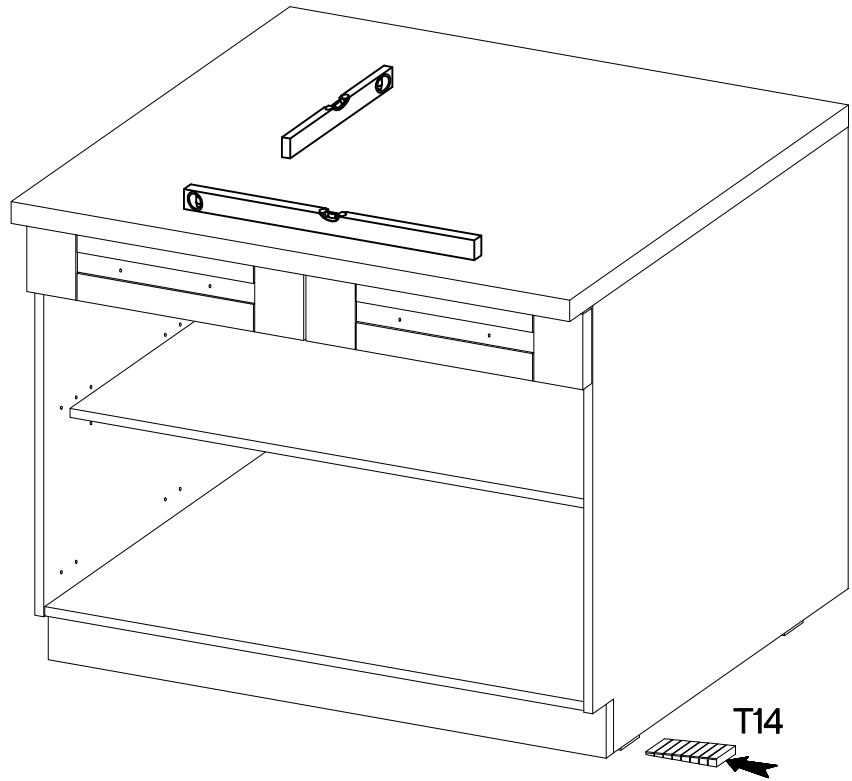
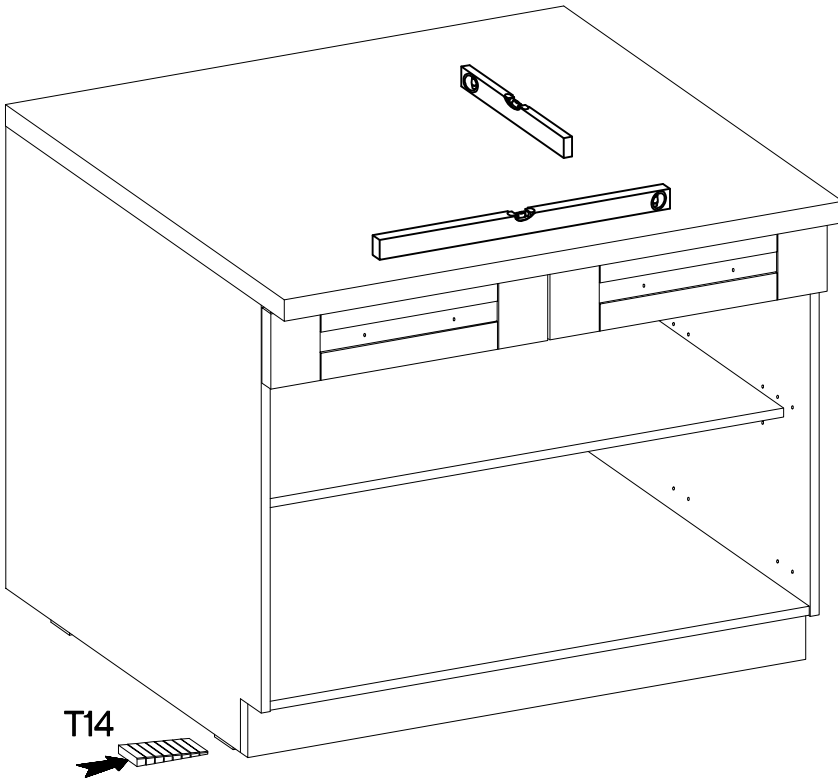


8x20x100mm

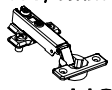



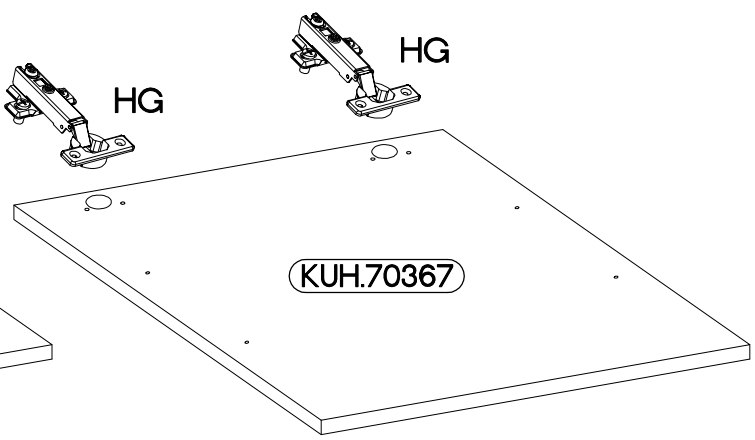
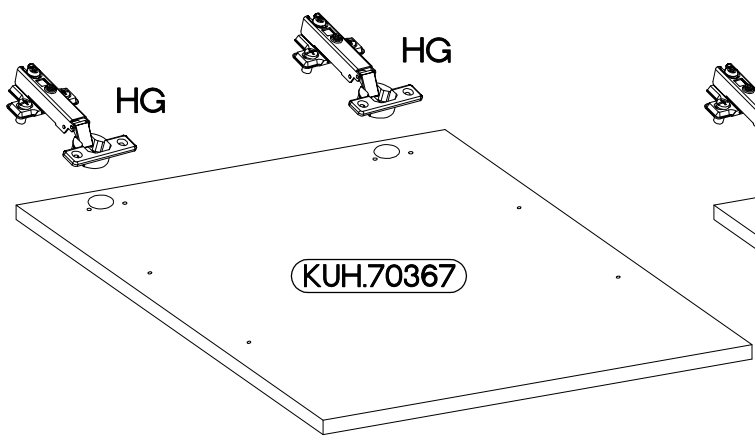
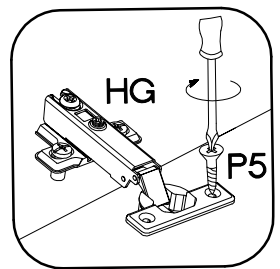
T14

2

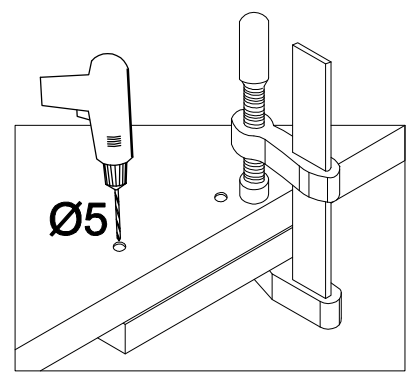
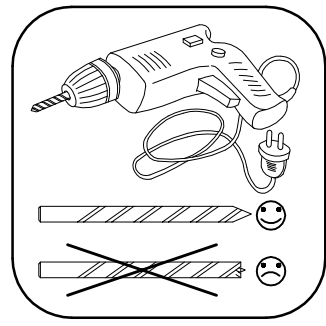
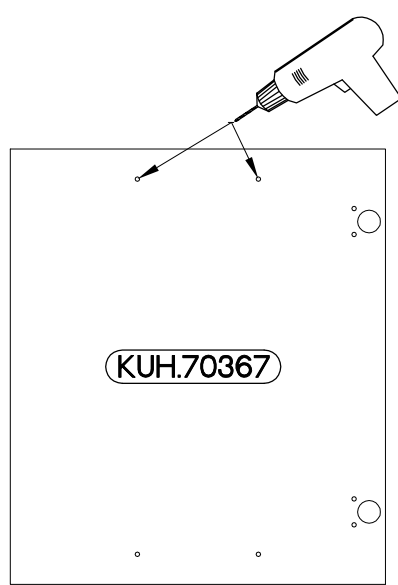
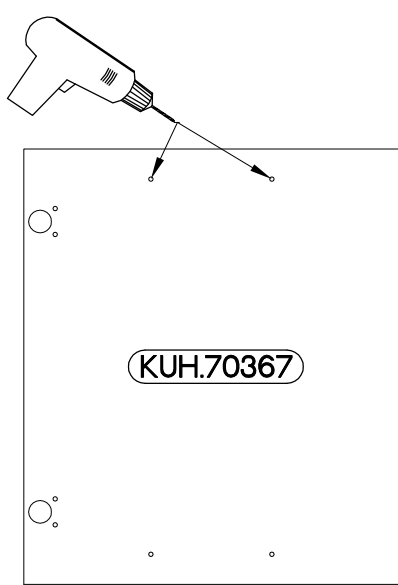




17

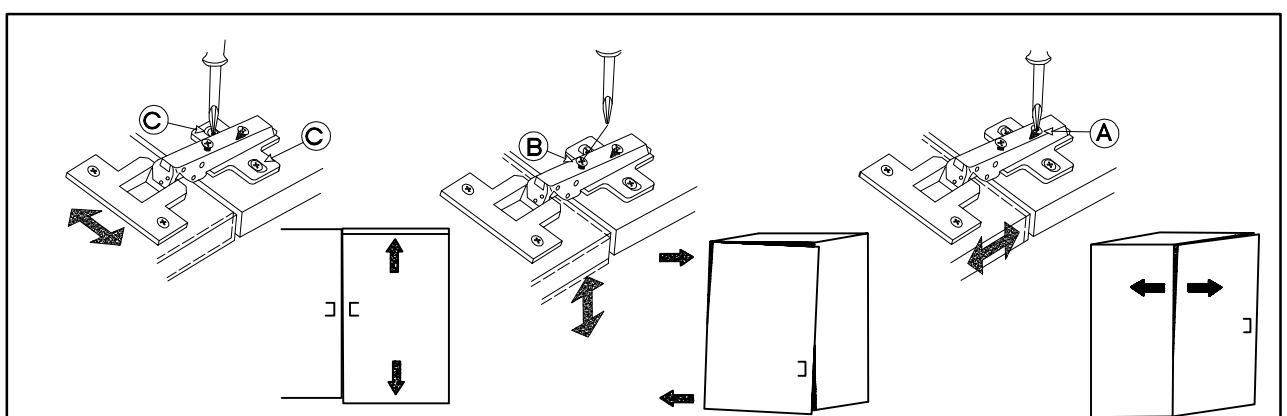
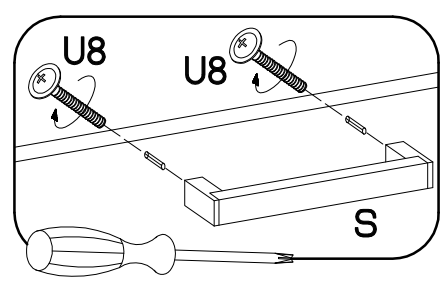
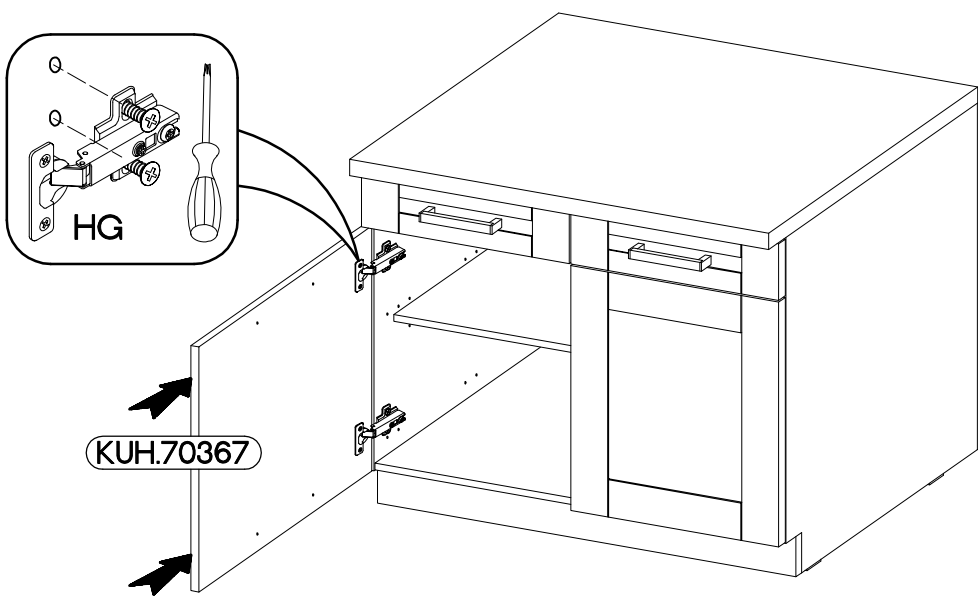
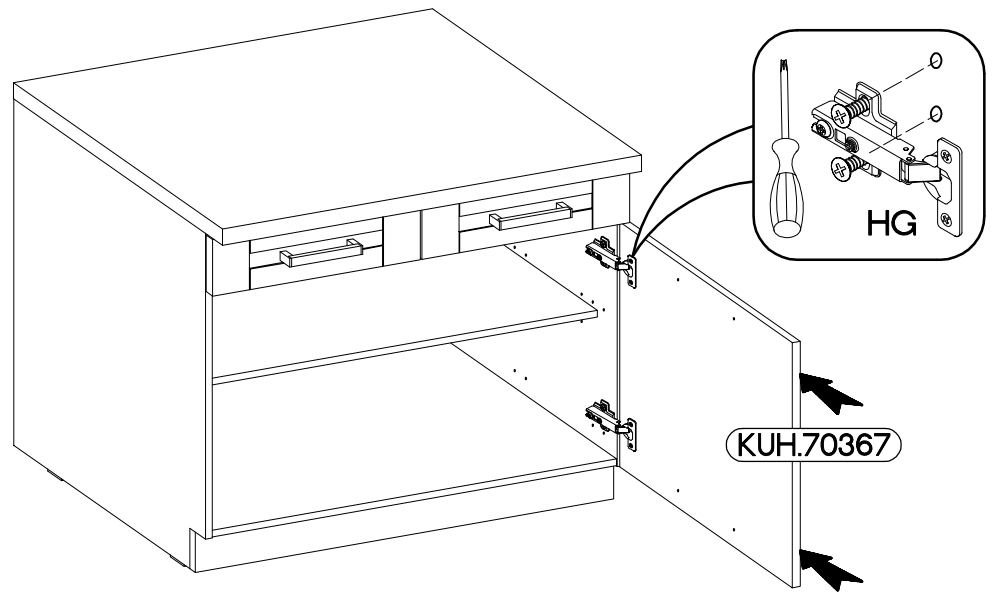
±35/0mm  HG 4	±3.5x13mm  P5 8
--	--

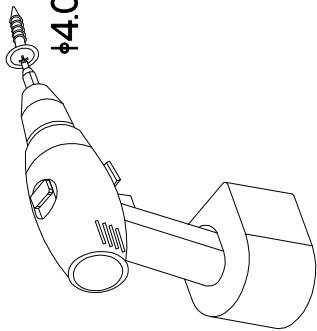
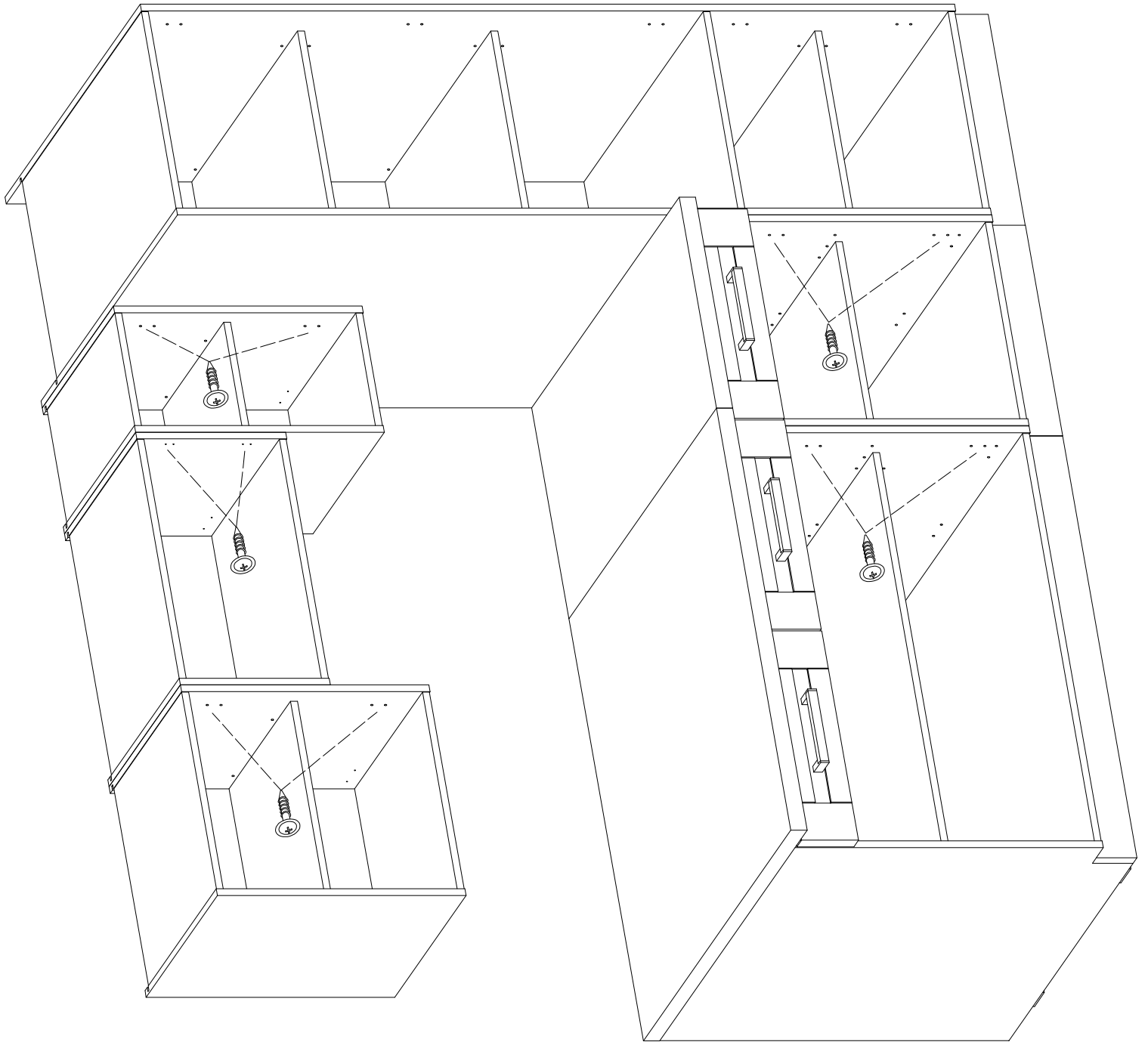


18

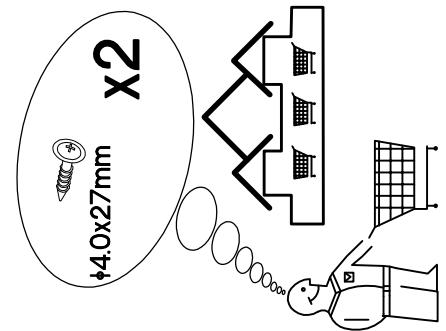


M4x27mm	
	
U8	S
4	2





4.0x27mm



X2

4.0x27mm

