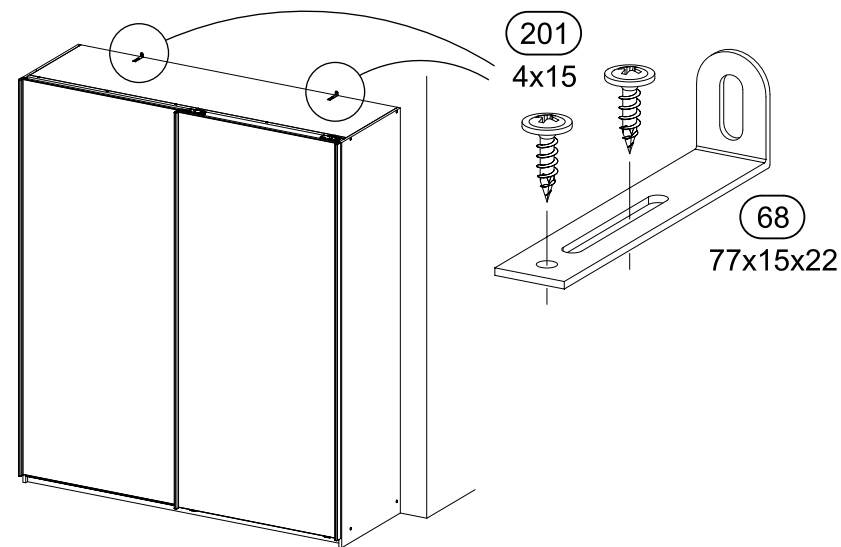
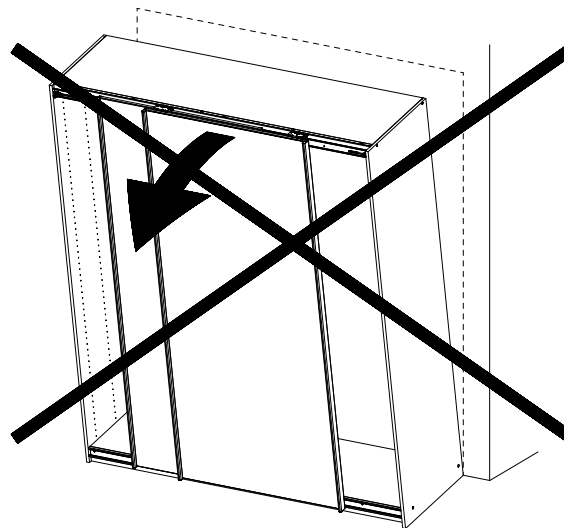
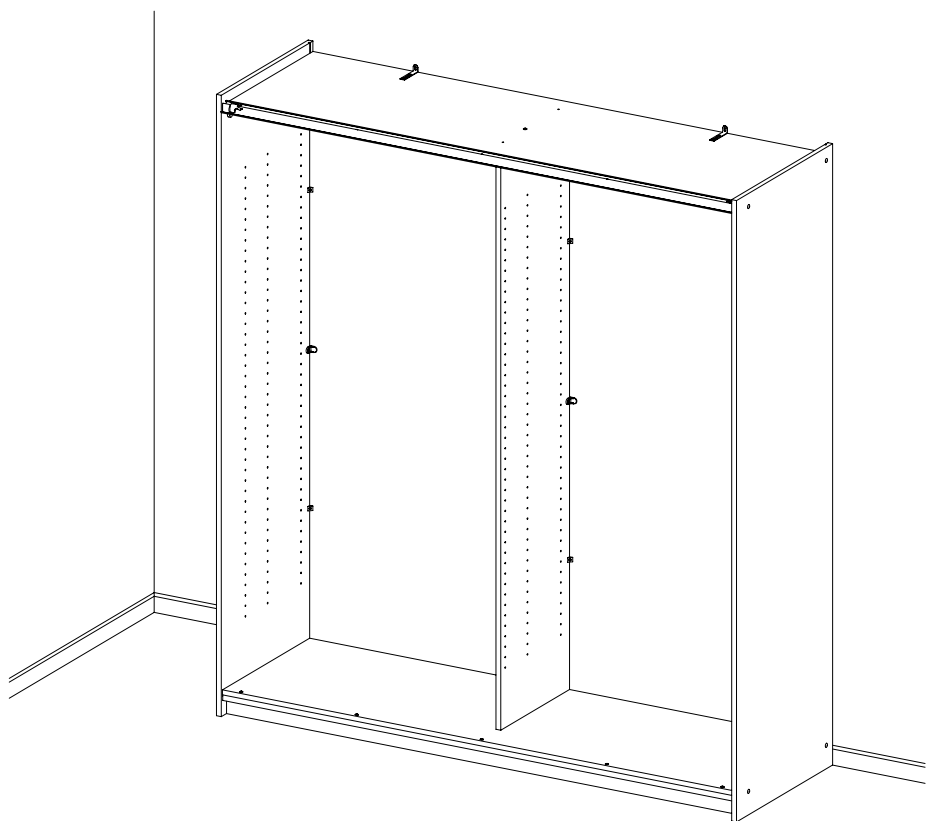
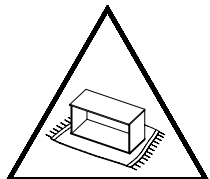
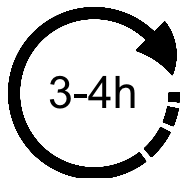
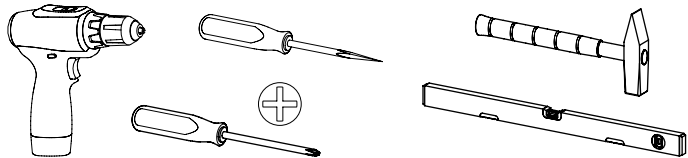


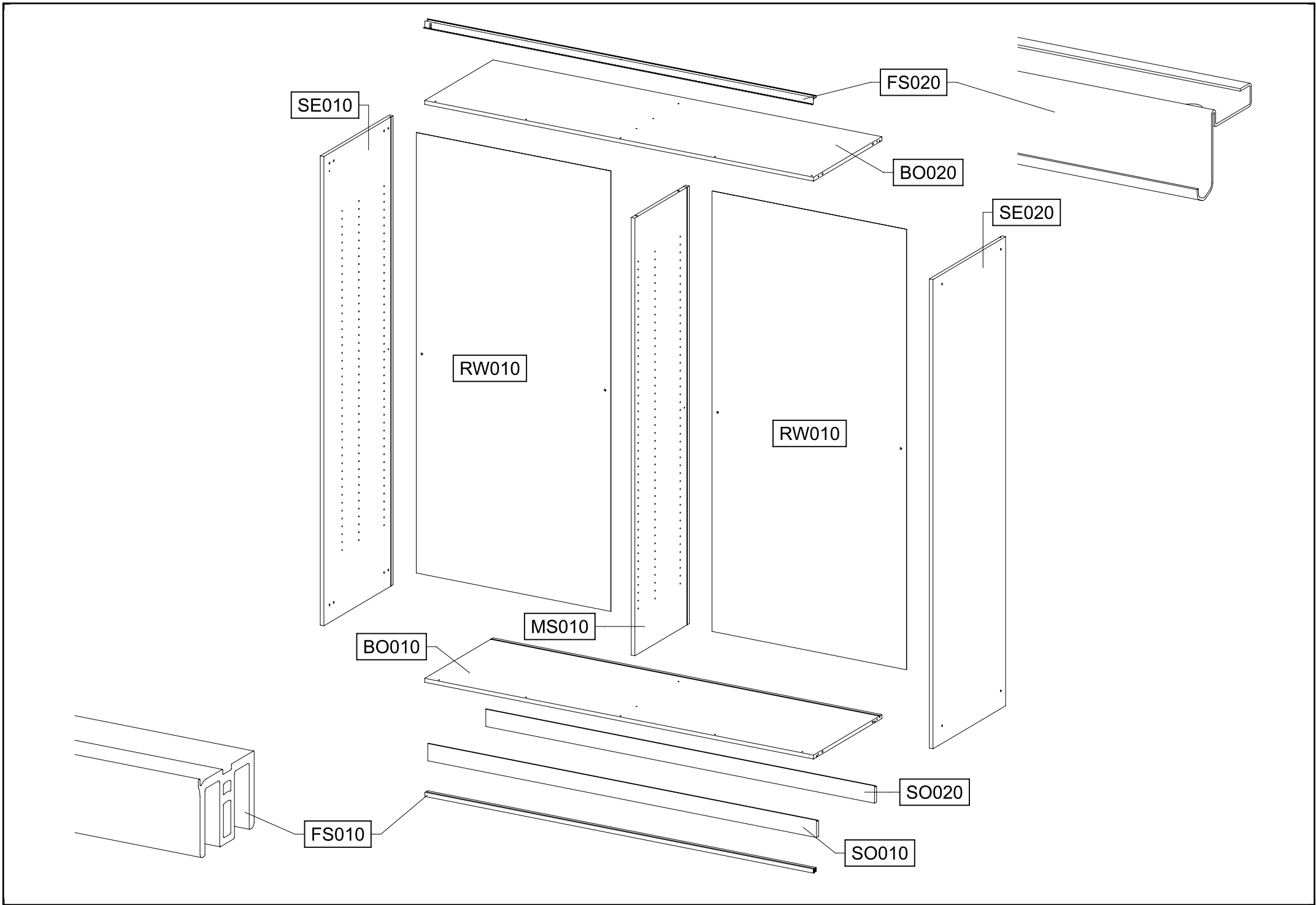
# M2882\_02

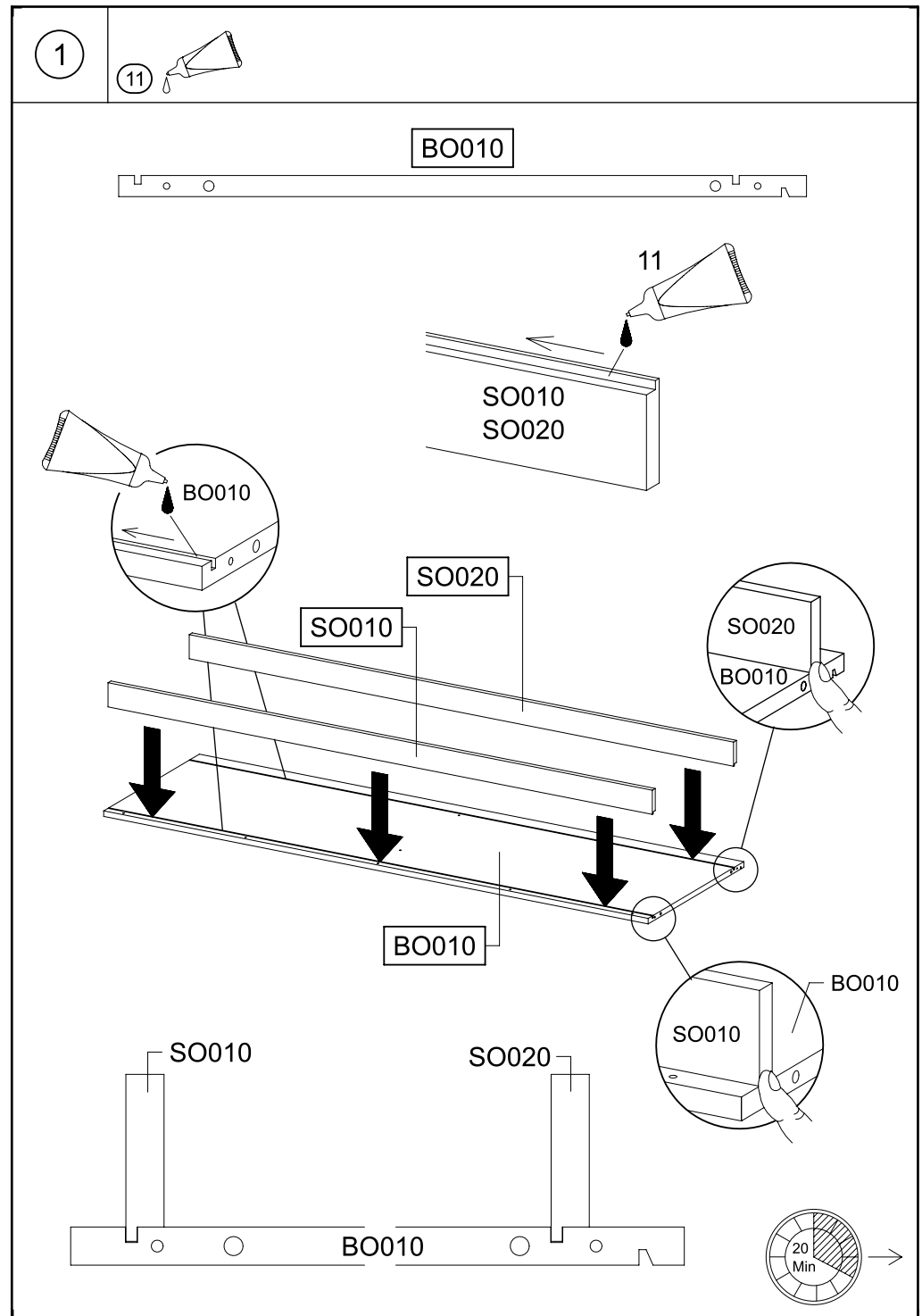
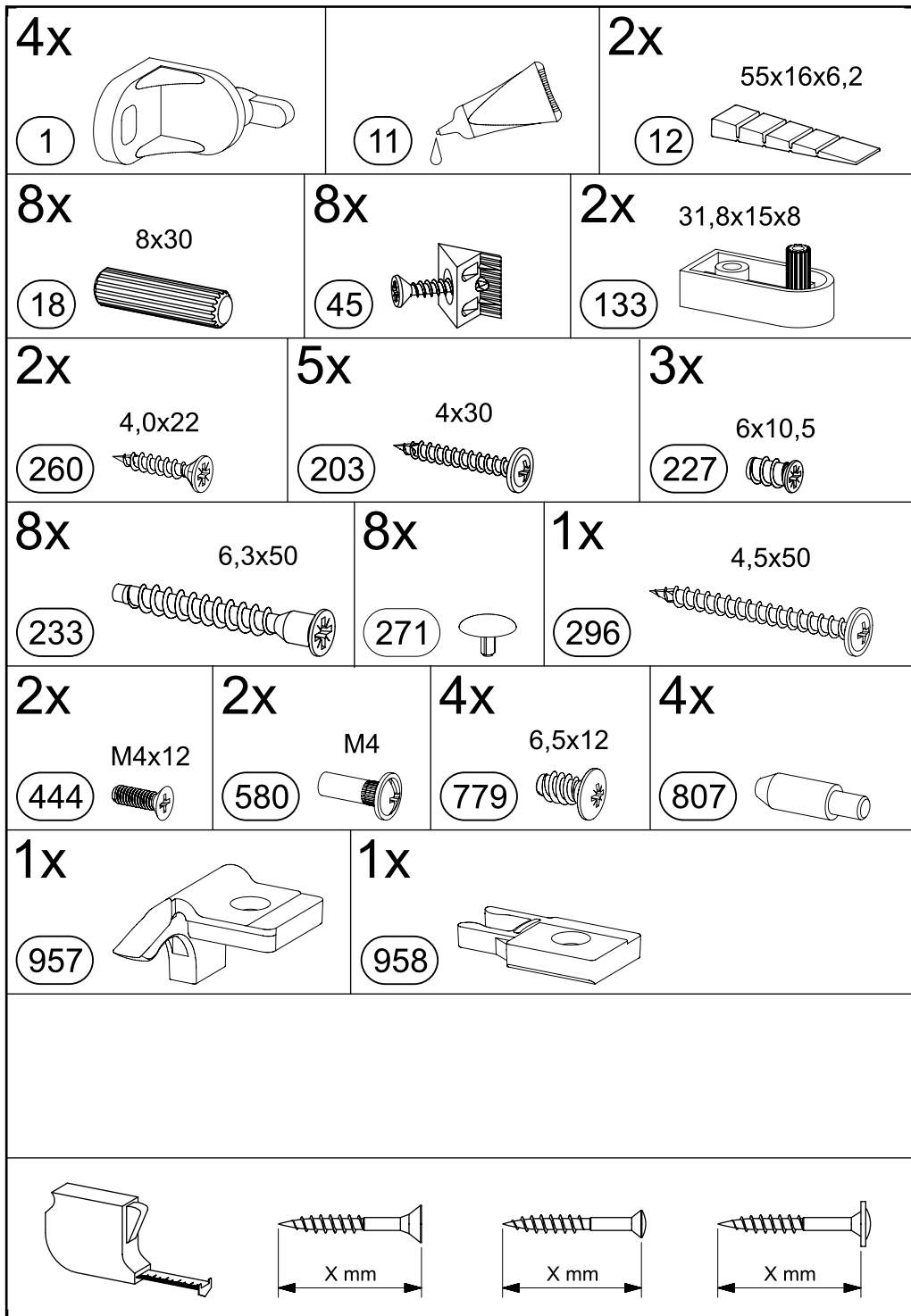


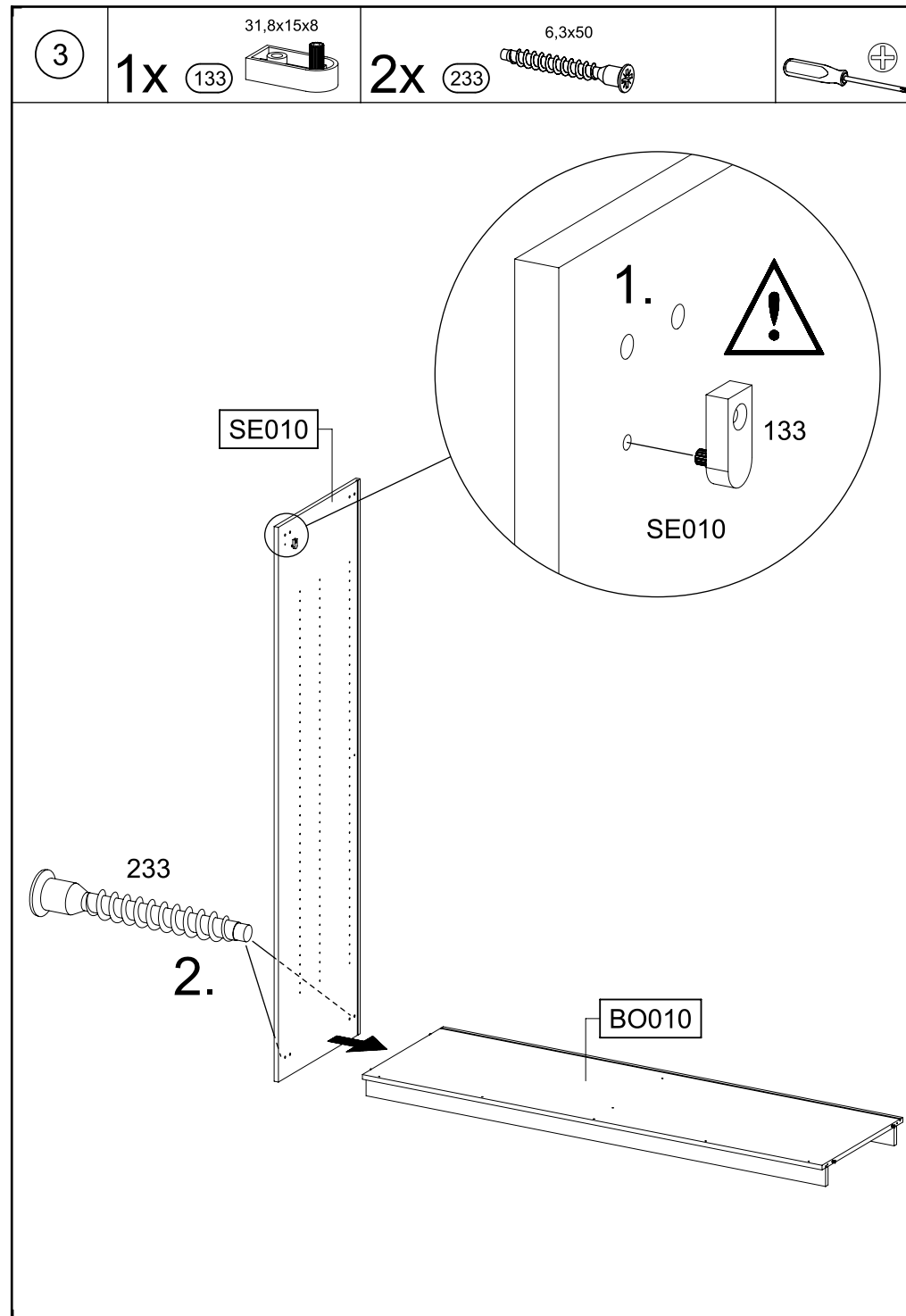
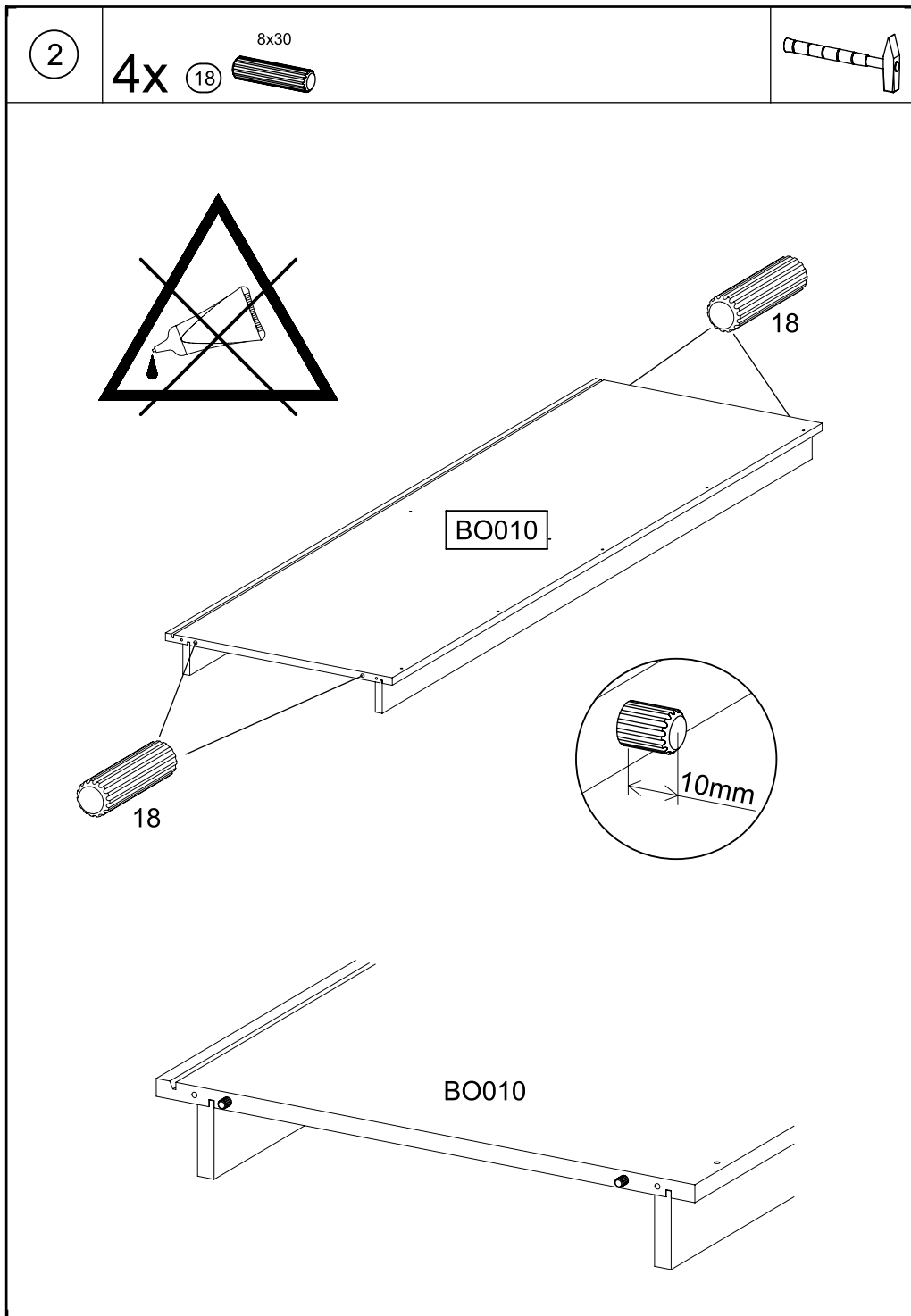
VIDEO

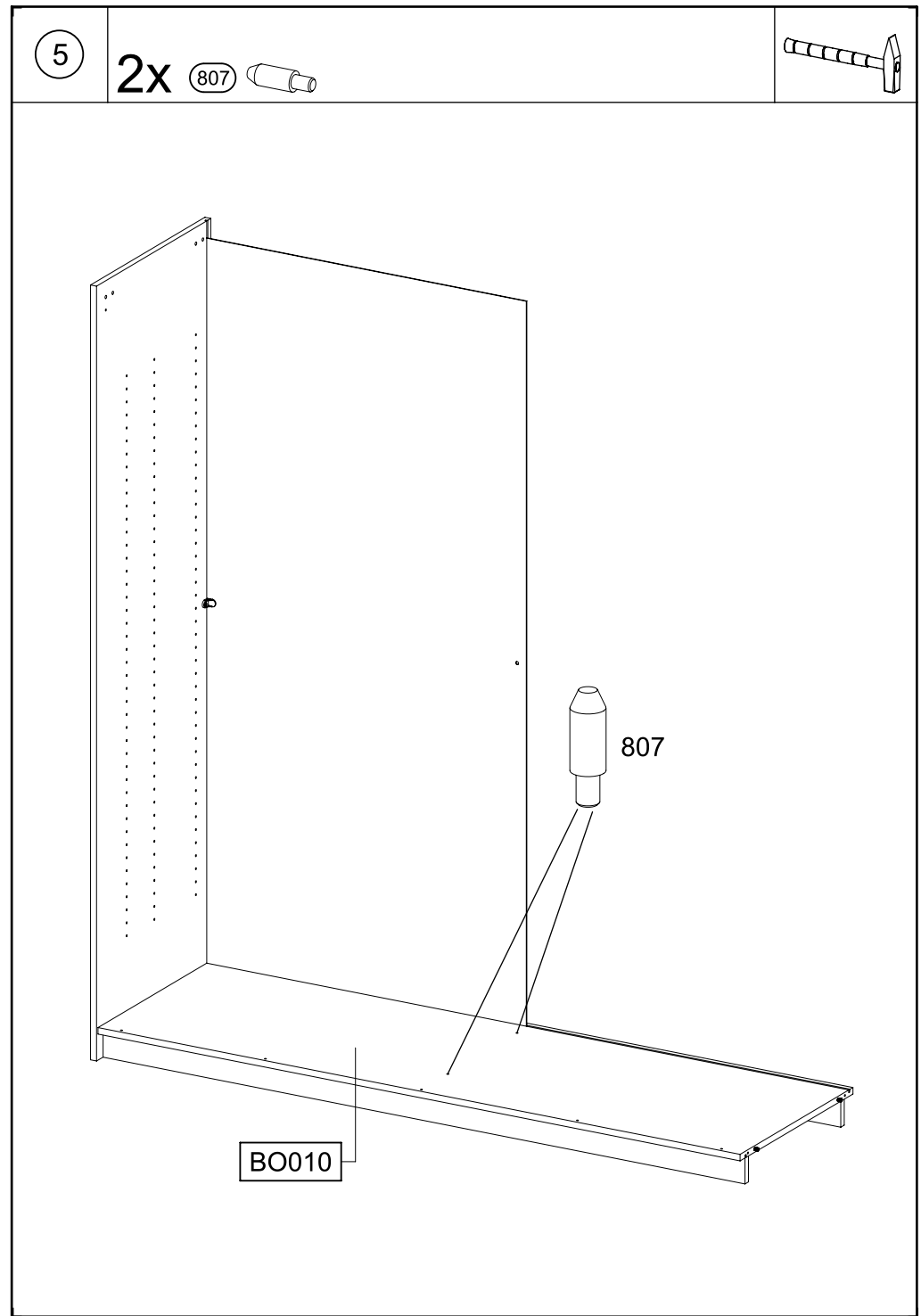
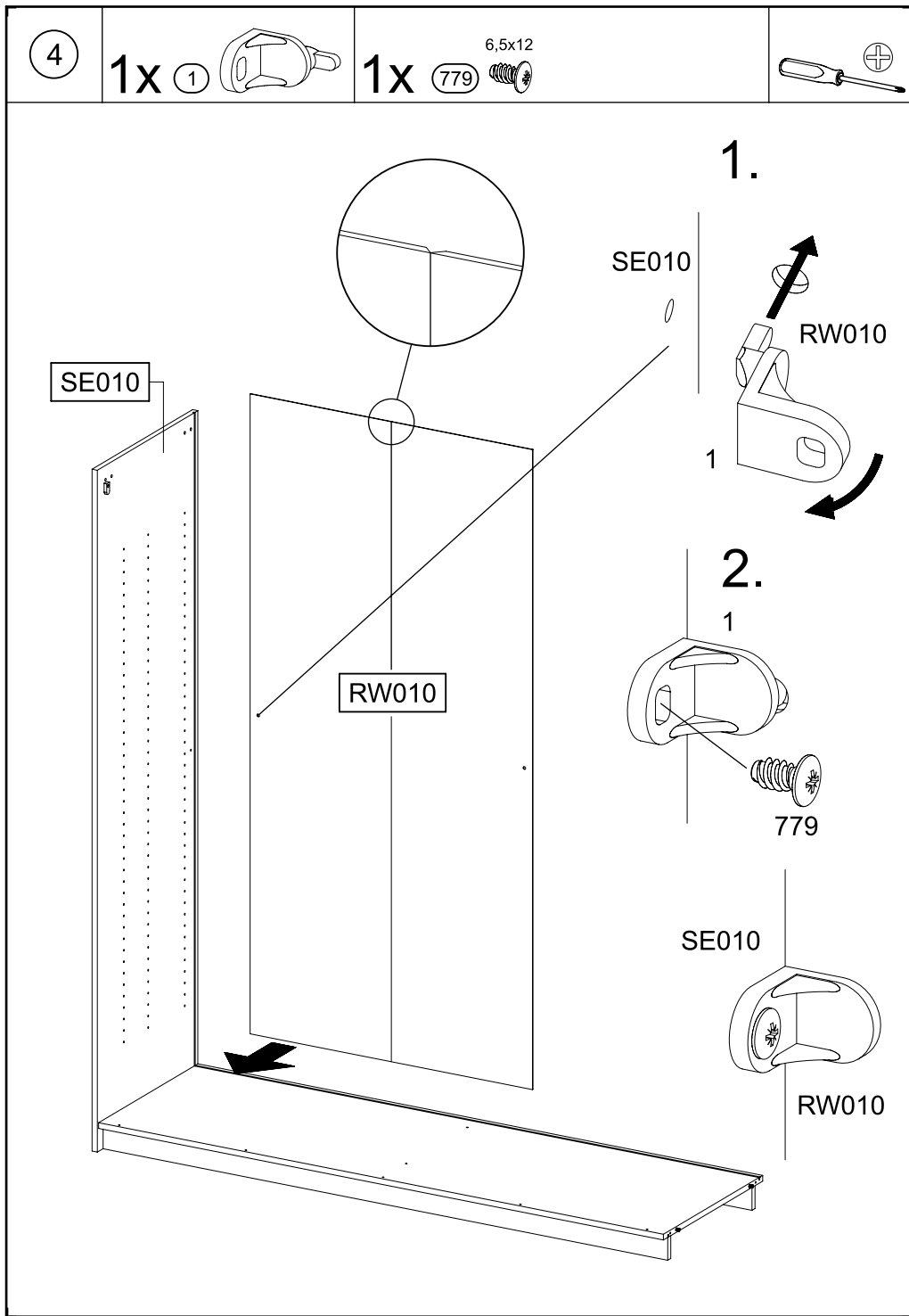


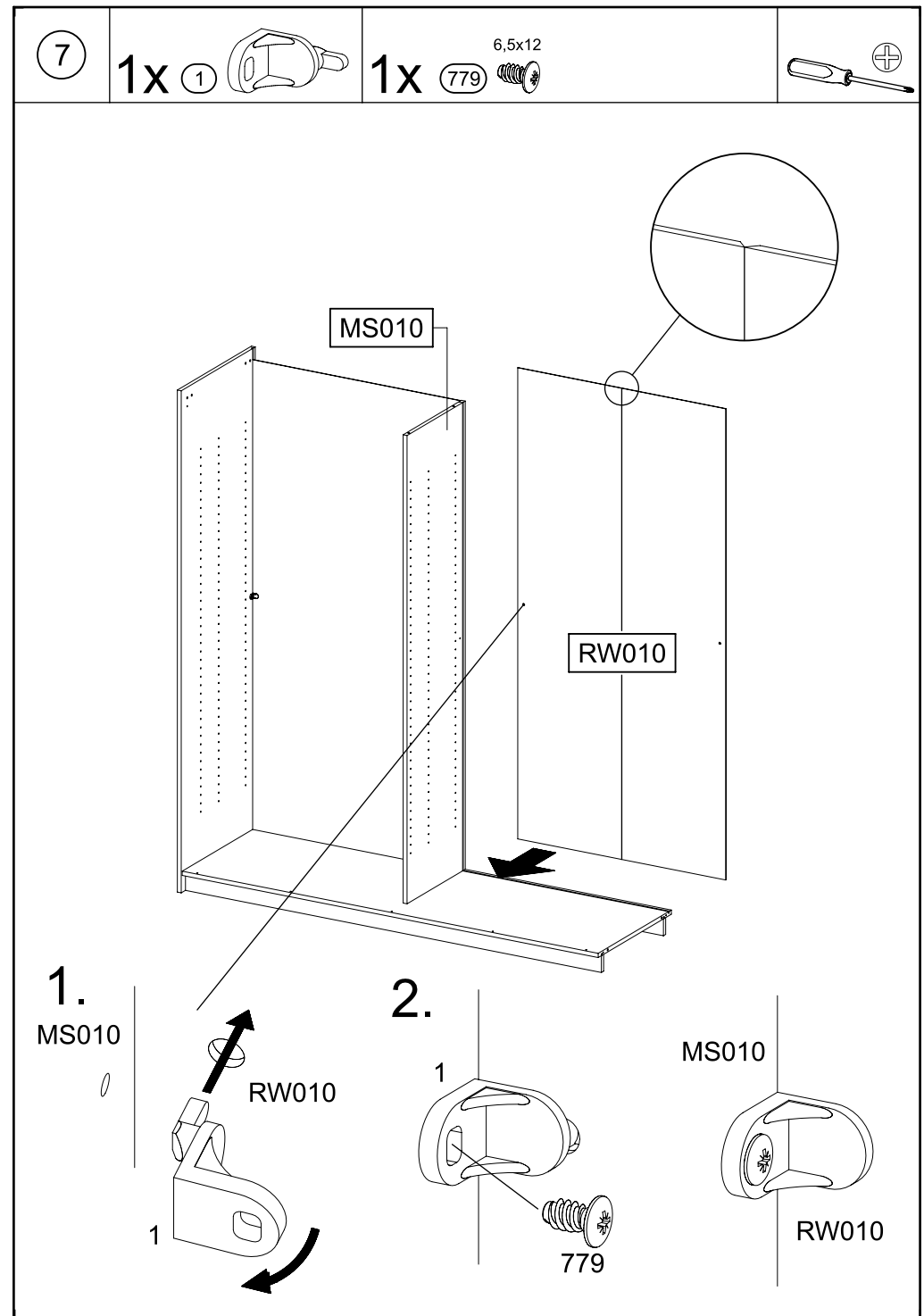
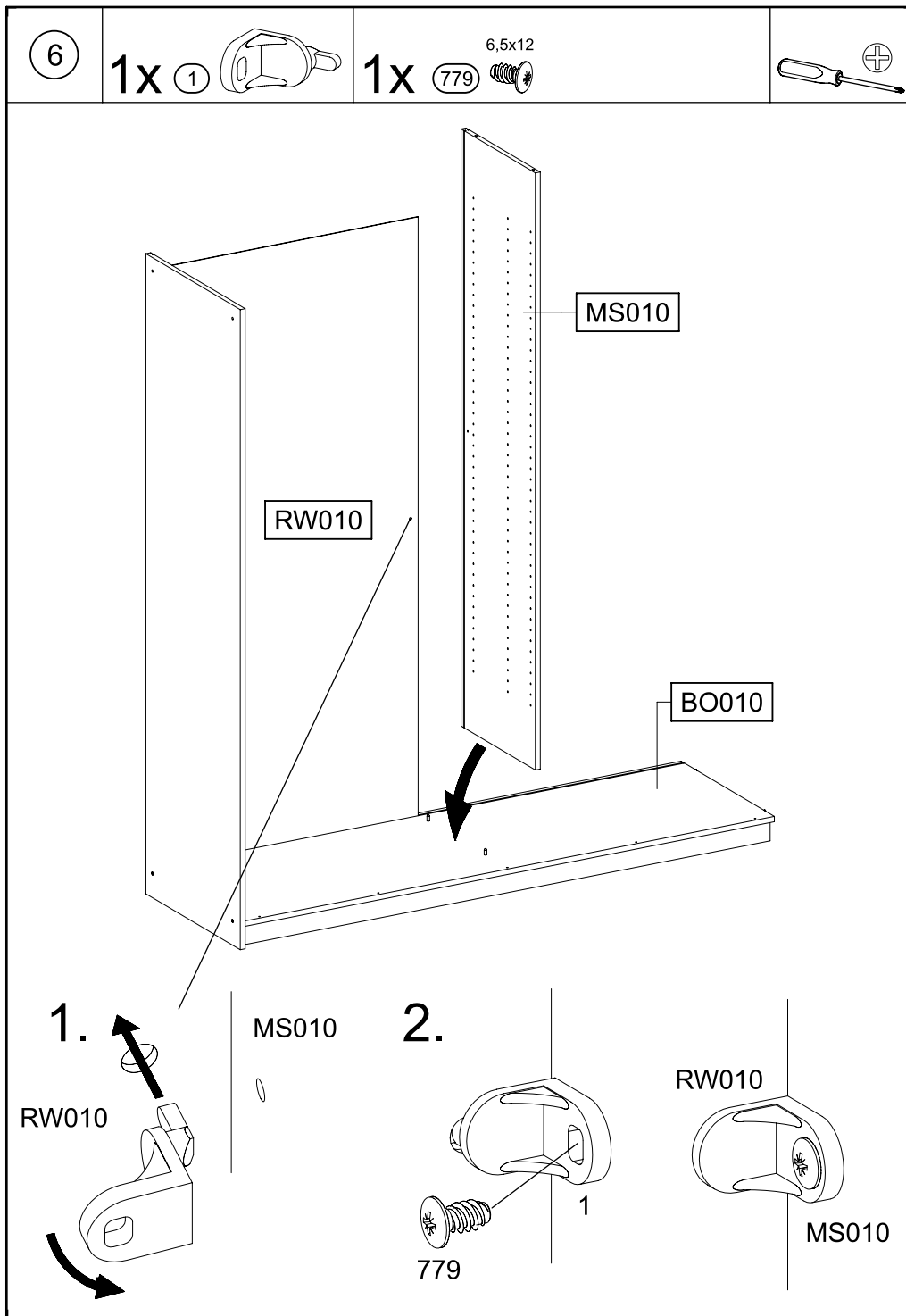
SCAN ME









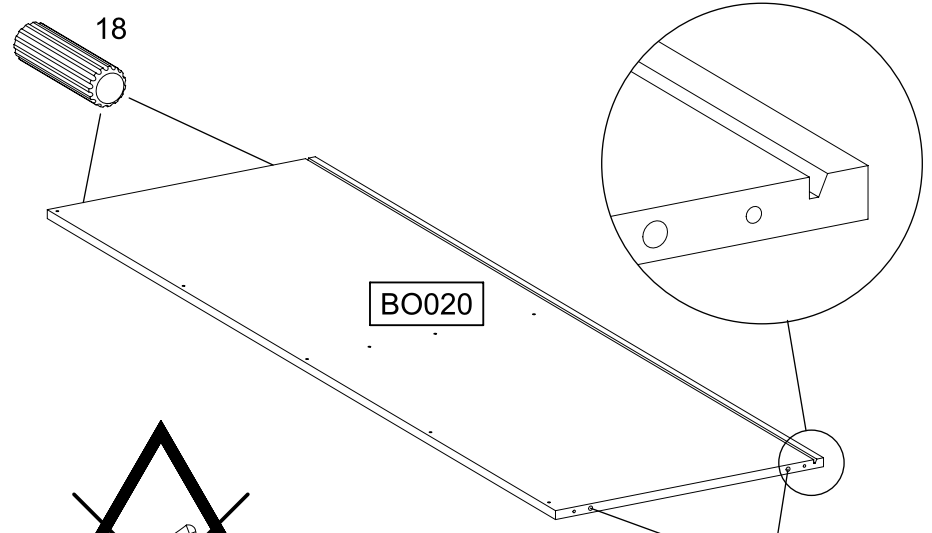
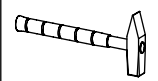


8

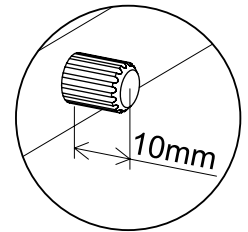
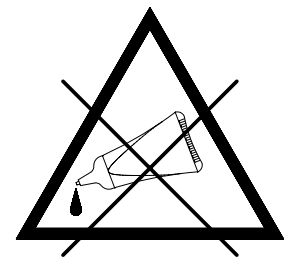
4x

18

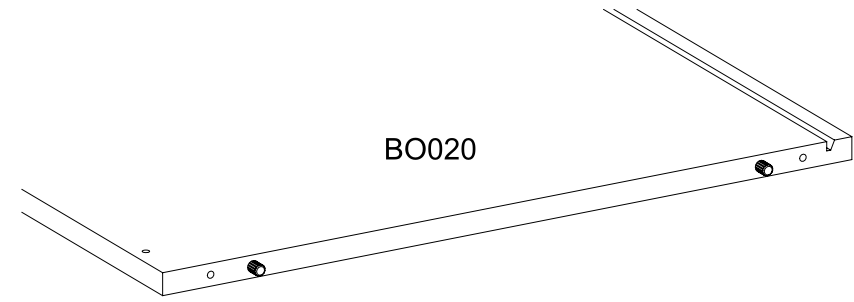
8x30



BO020



18

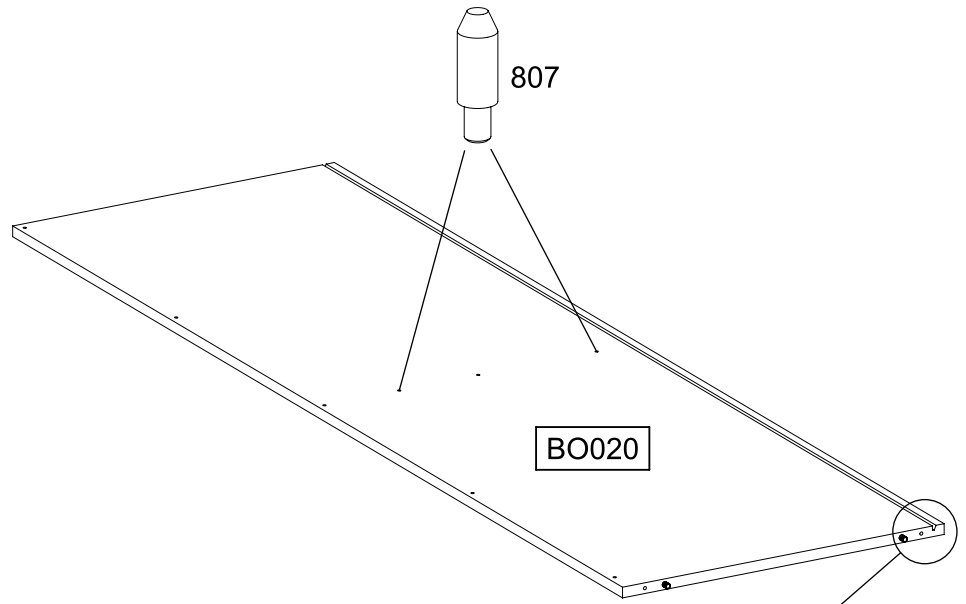
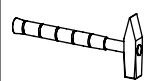


BO020

9

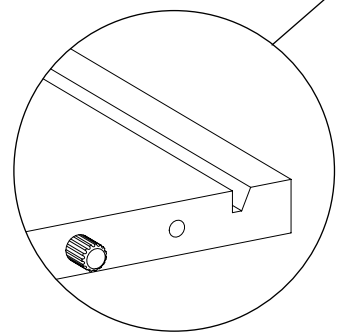
2x

807



807

BO020

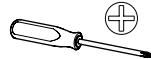


10

2x

233

6,3x50

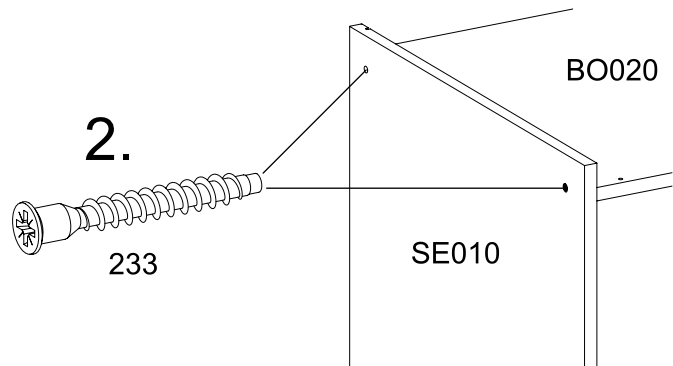


1.

BO020

SE010

MS010

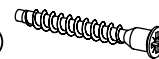


11

4x

233

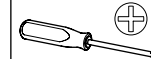
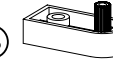
6,3x50



1x

133

31,8x15x8



1.

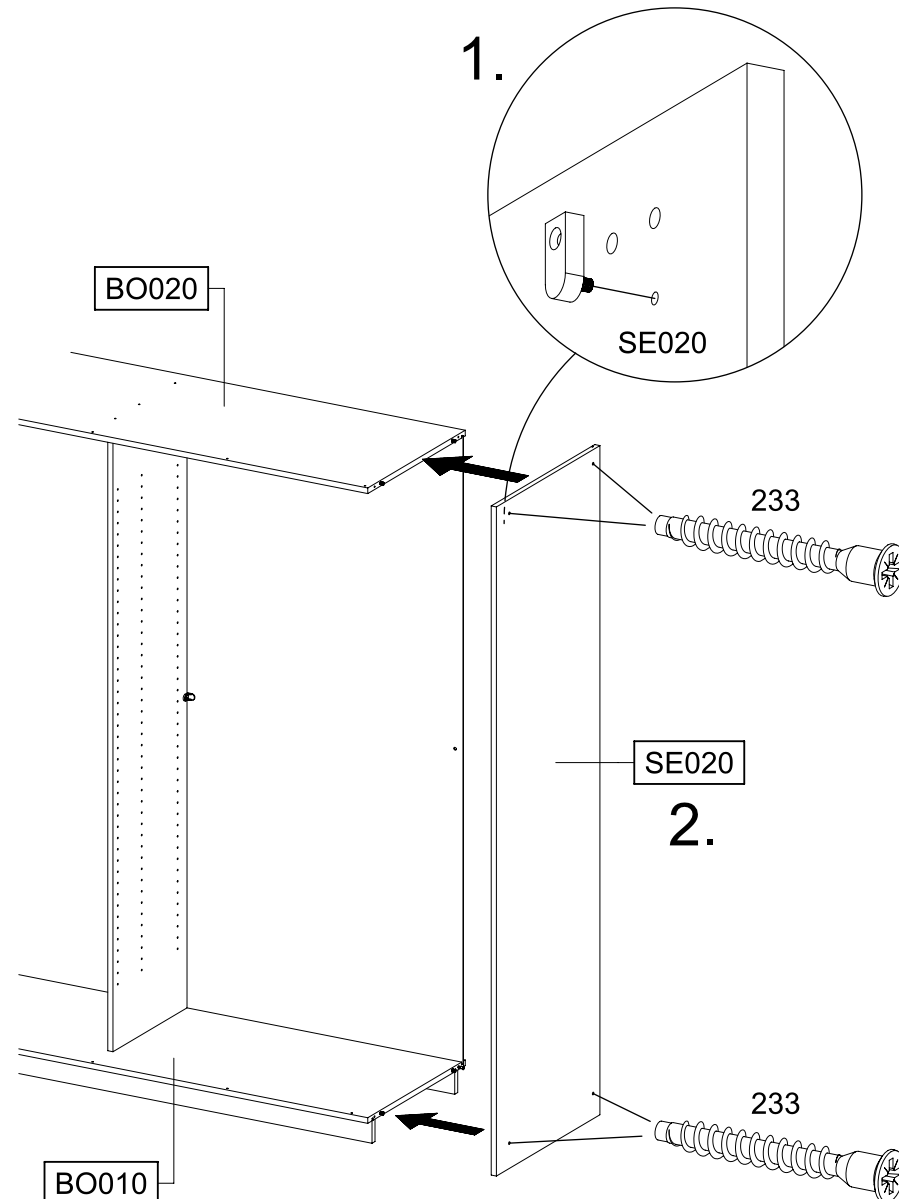
BO020

SE020

233

SE020

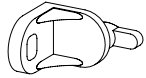
2.





12

1x 1

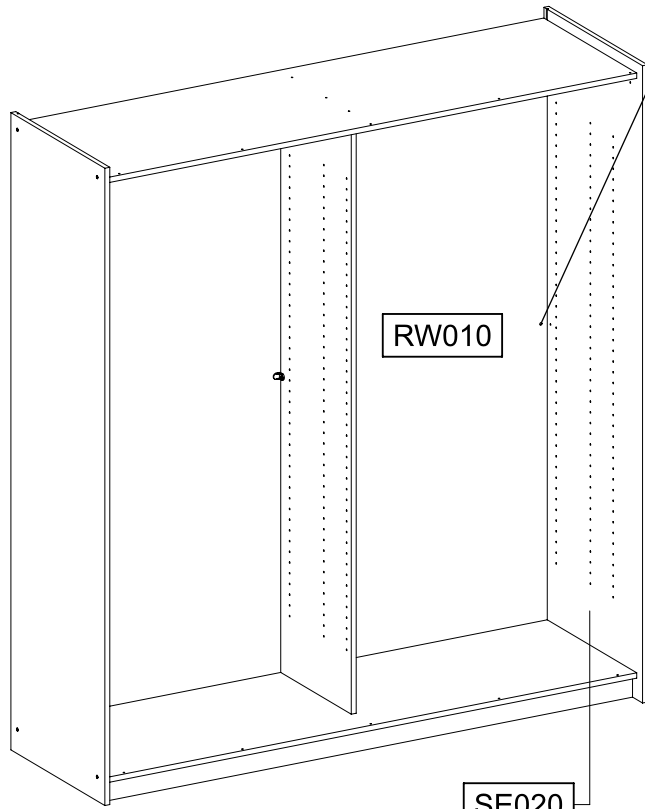
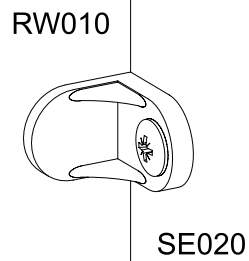
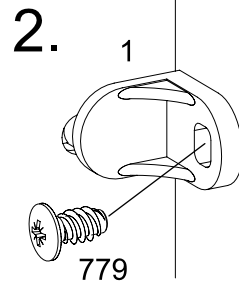
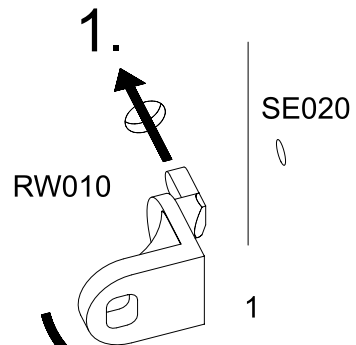
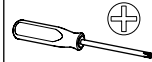


1x

779

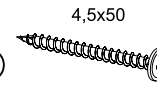


6,5x12

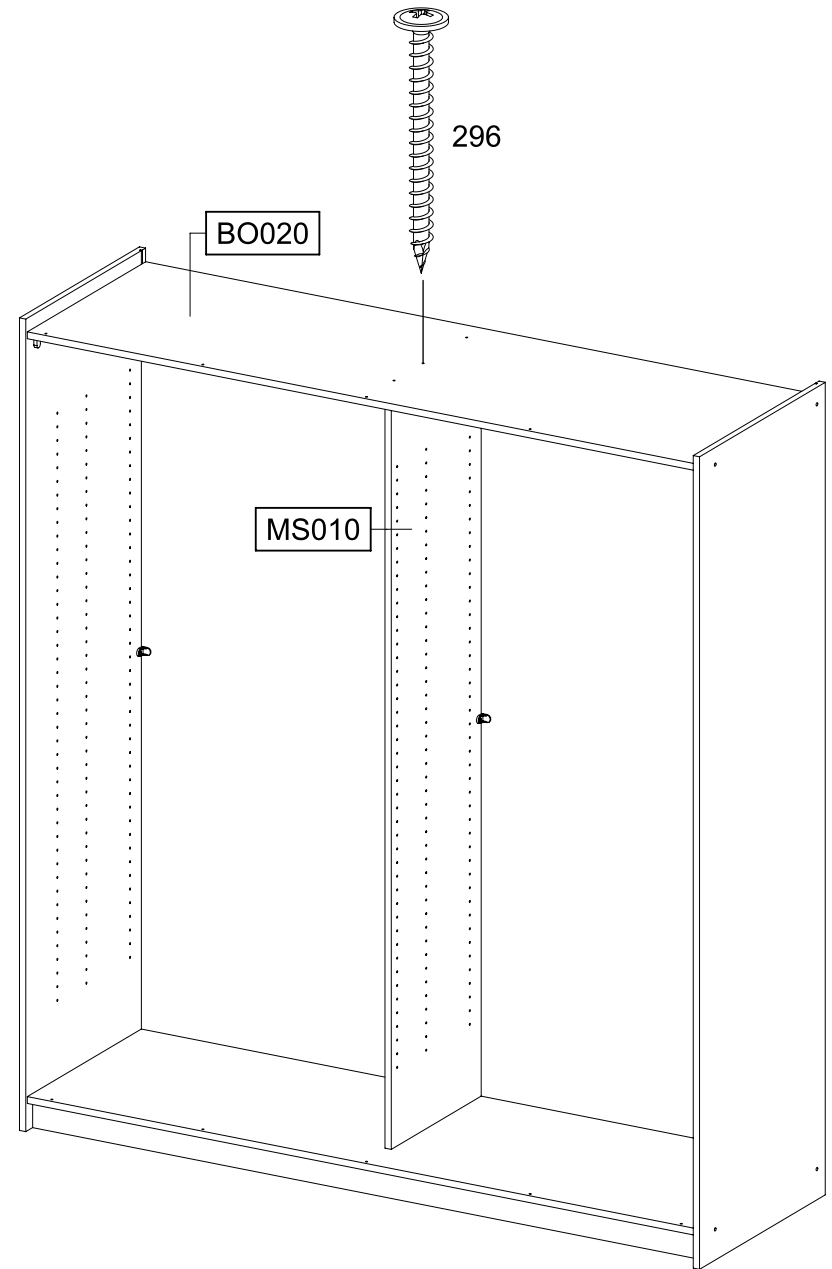
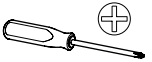


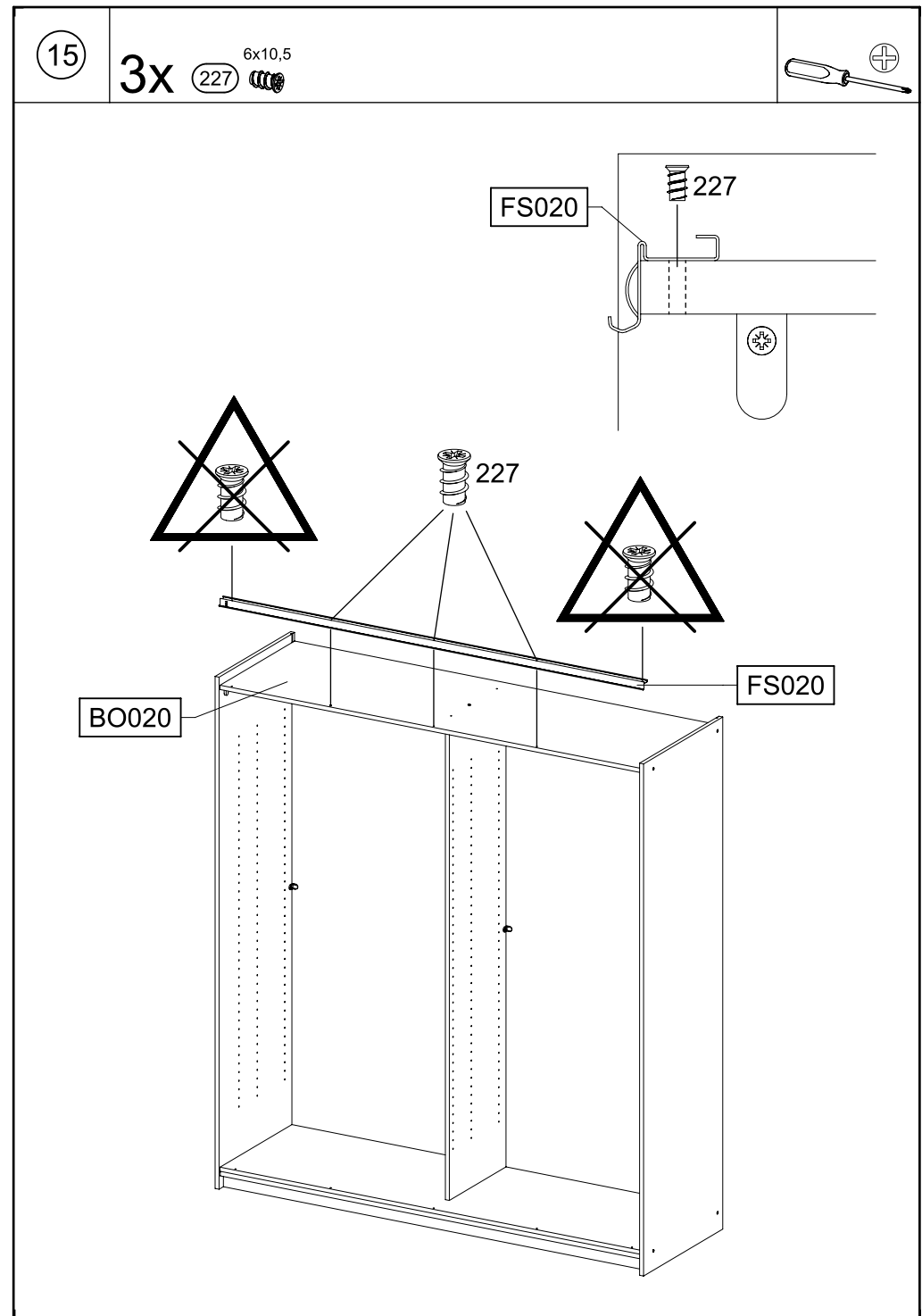
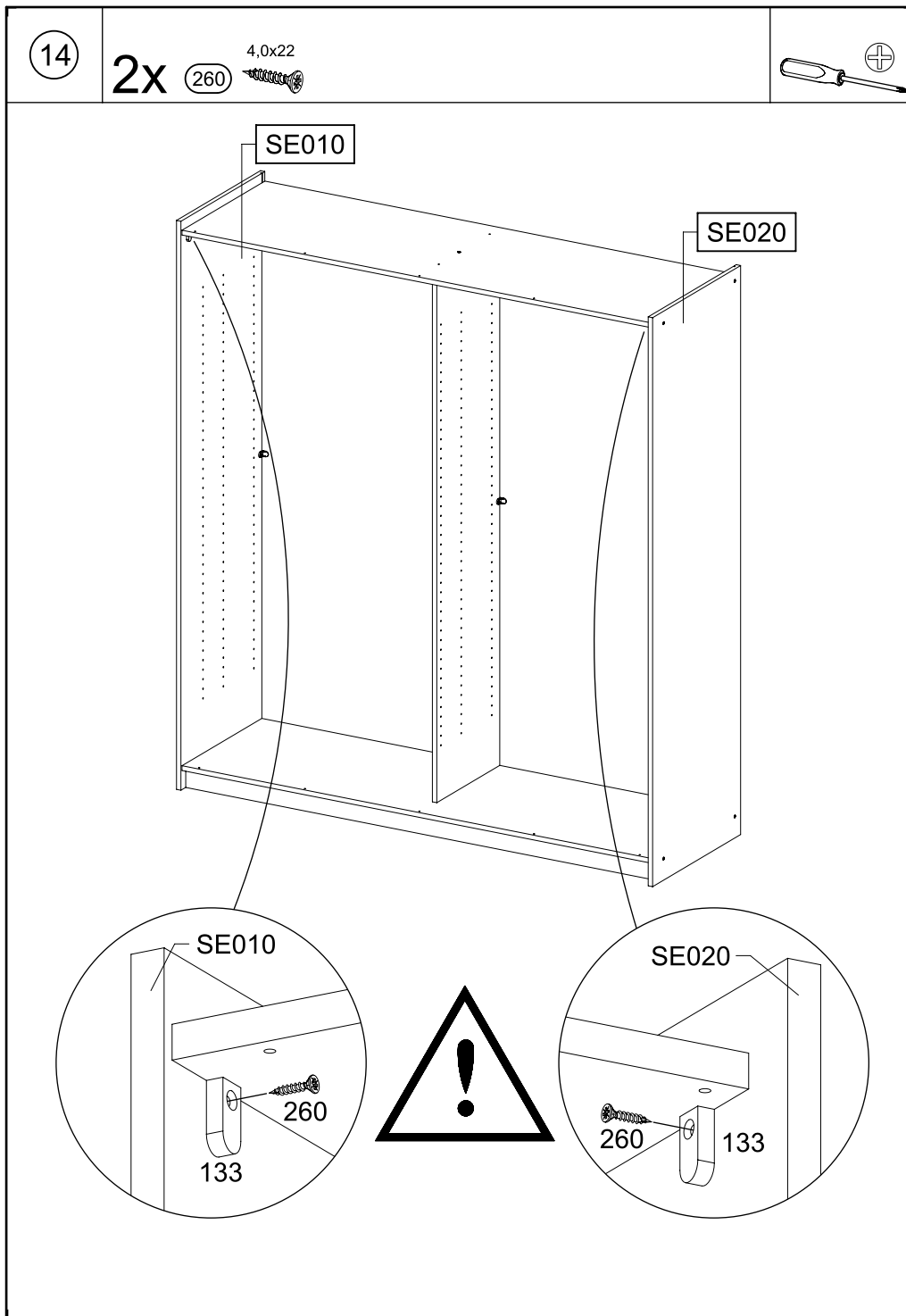
13

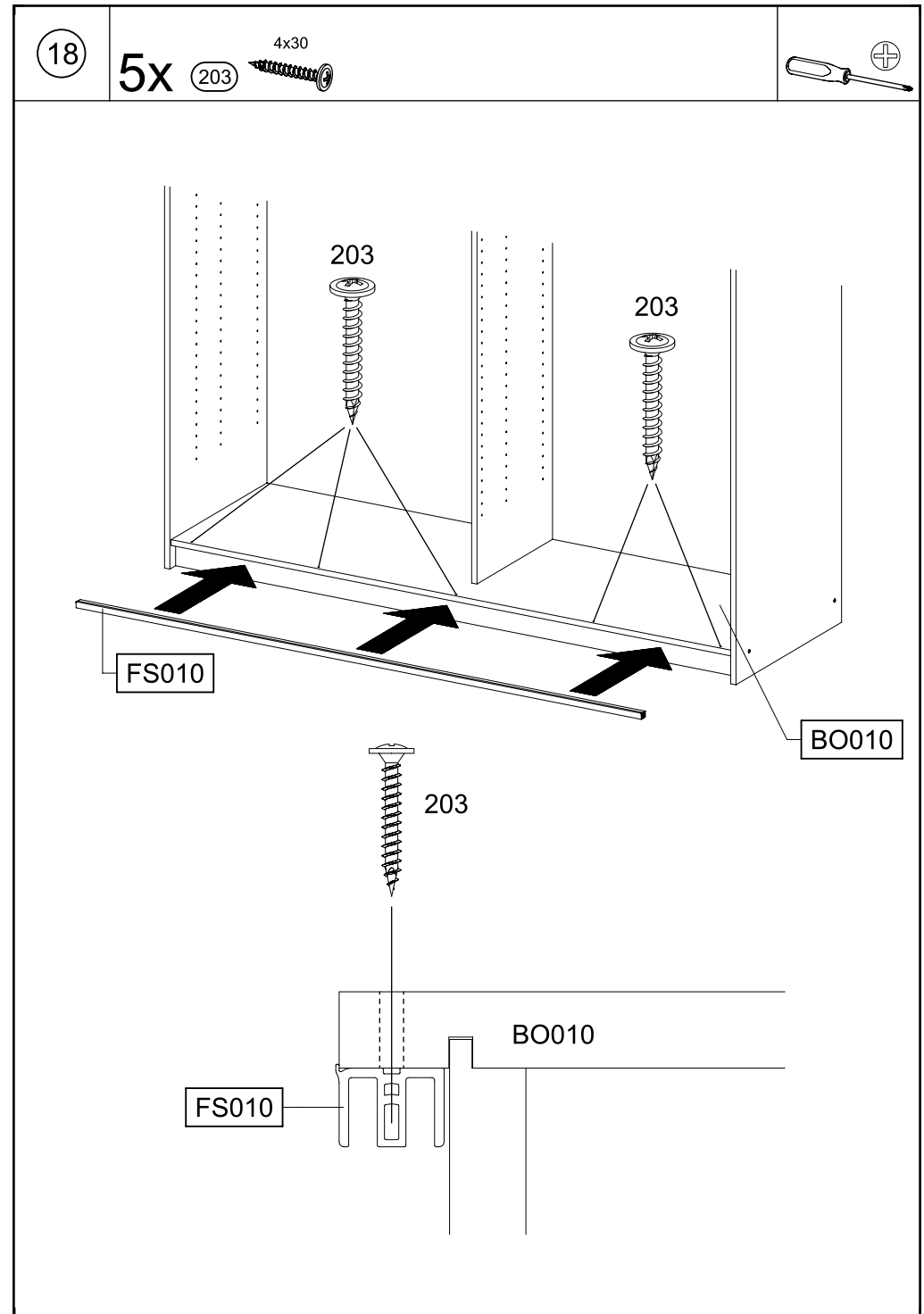
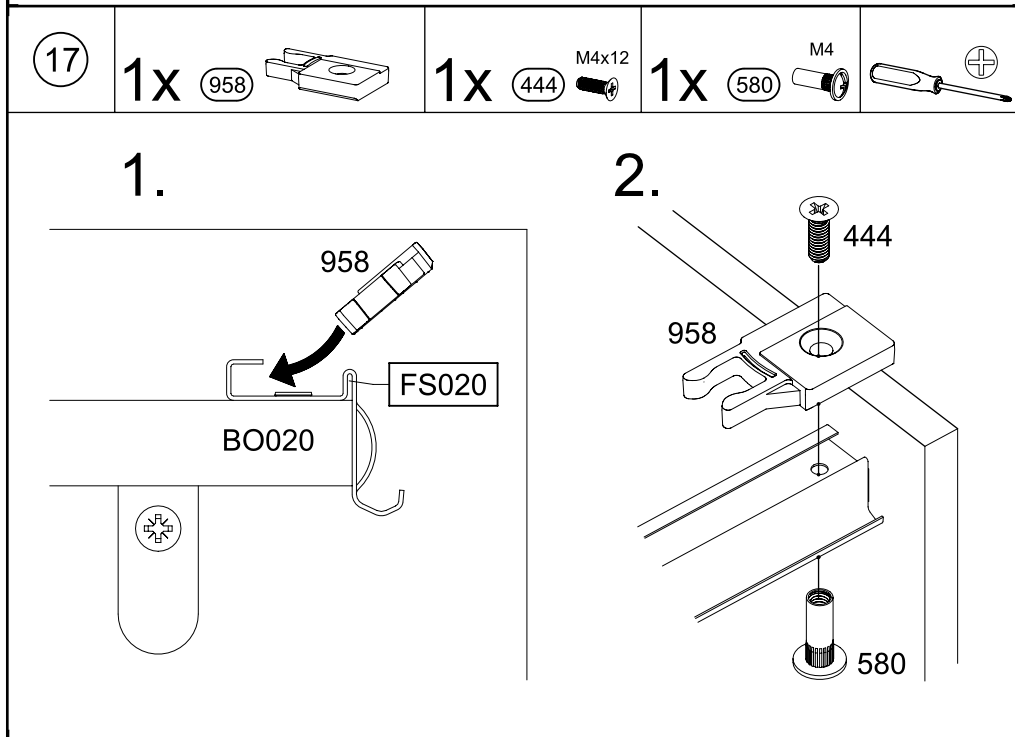
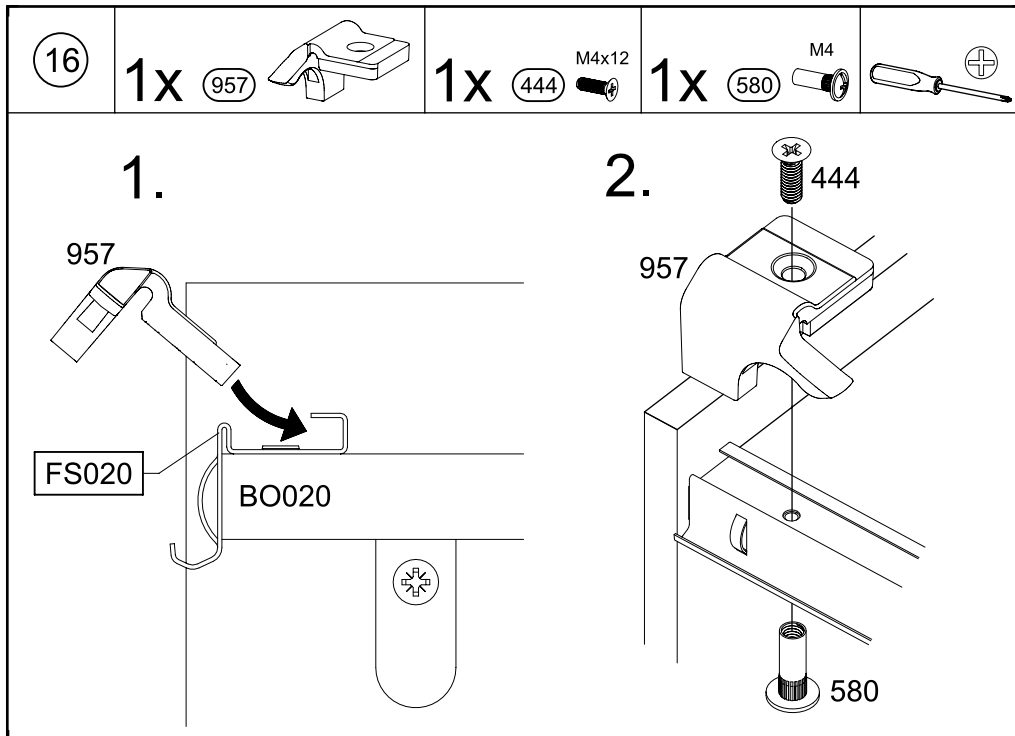
1x 296



4,5x50





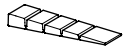


19

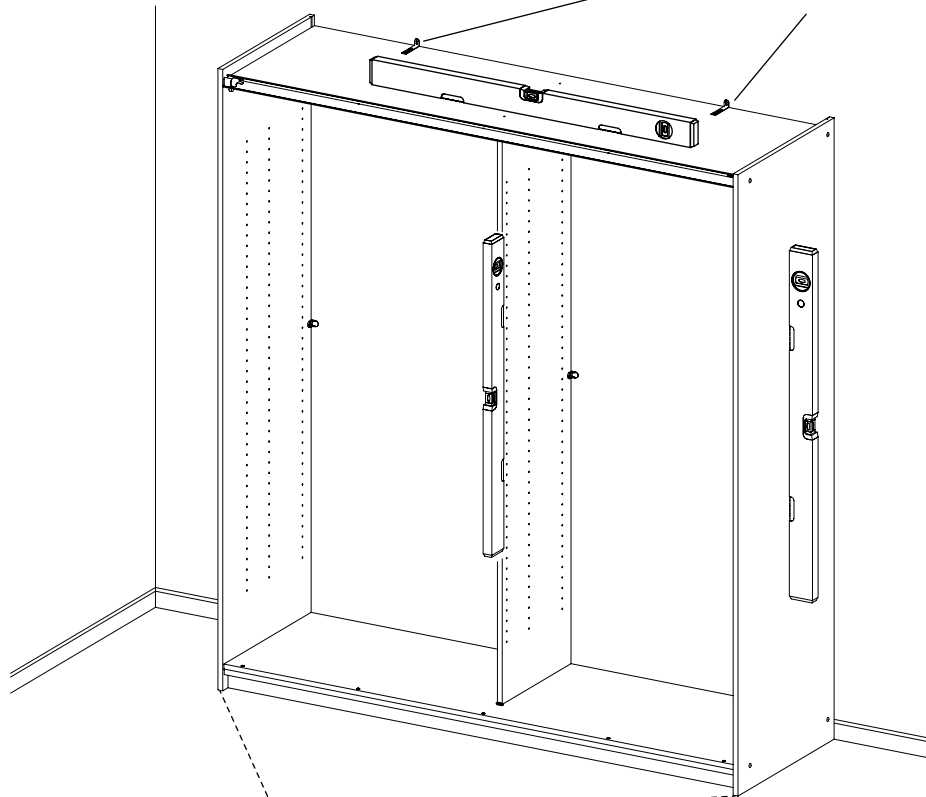
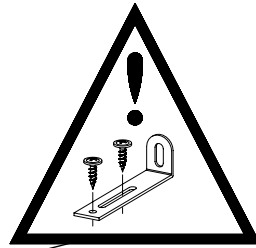
0-2x

12

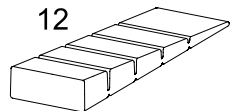
55x16x6,2



SCAN ME



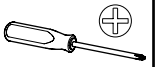
12



20

8x

45



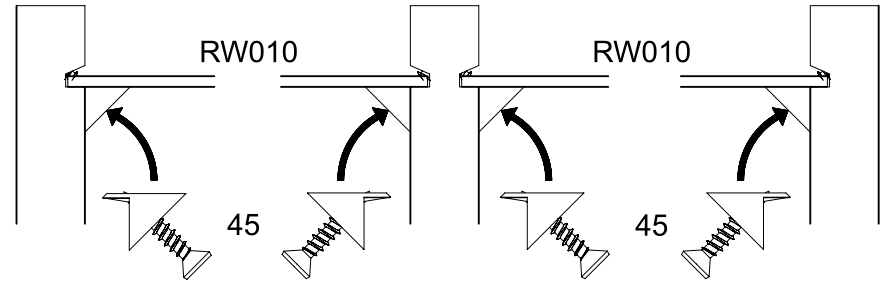
SE010

MS010

SE020

RW010

RW010



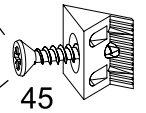
SE010

MS010

SE020

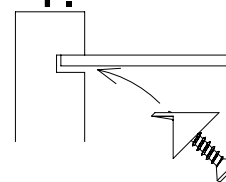


45

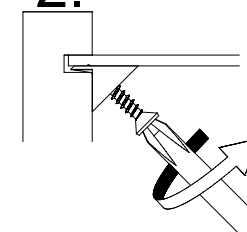


45

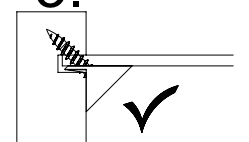
1.



2.



3.



21

8x

271

