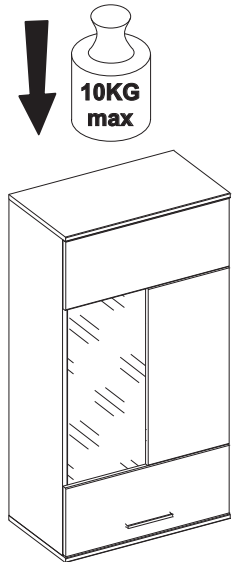
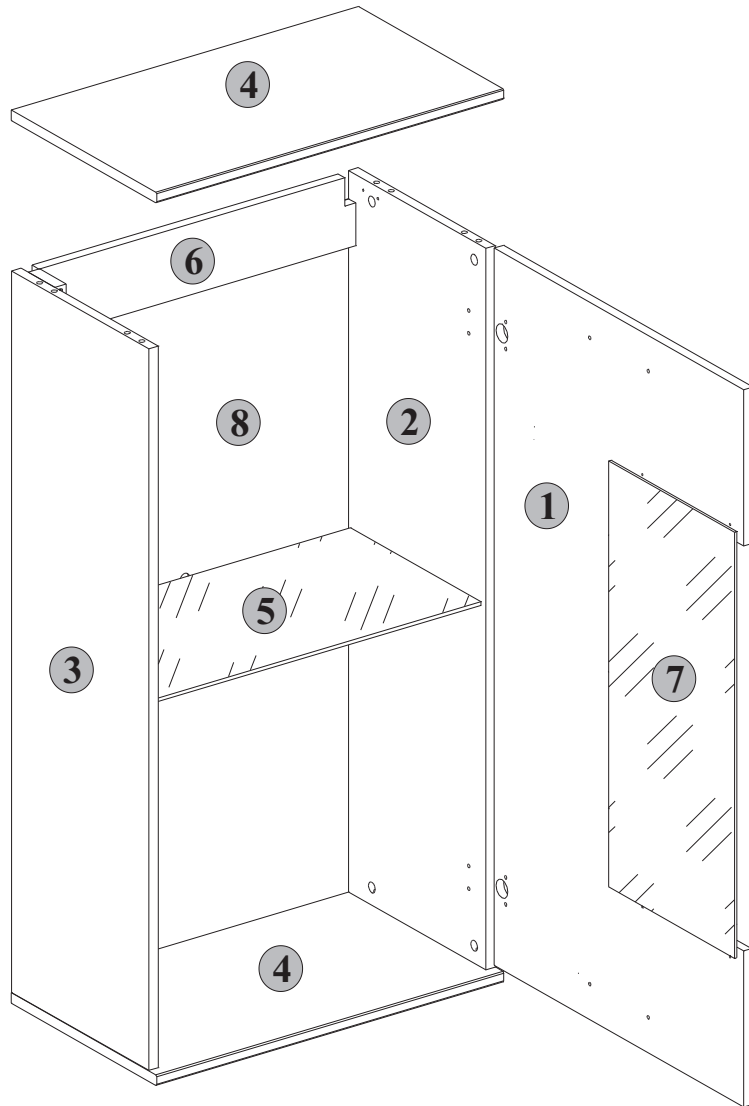


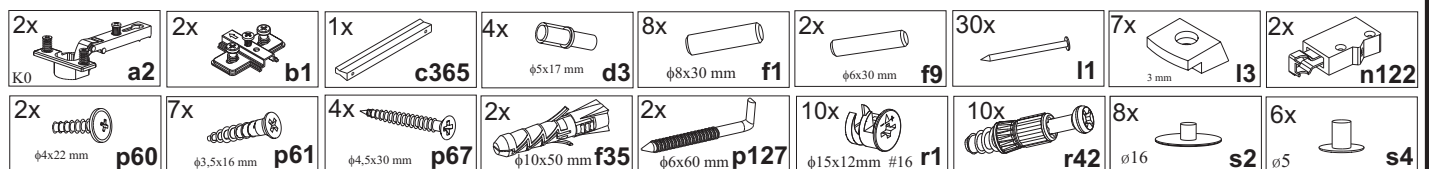
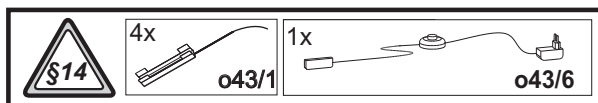
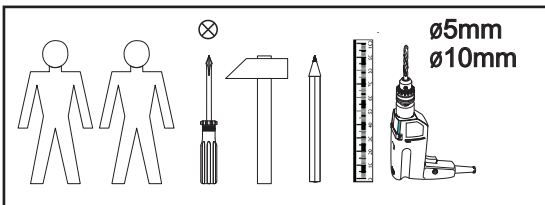
89-570  
89-571

# FRONTAL

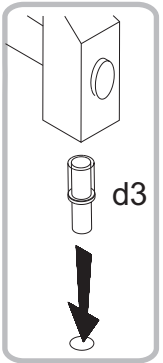
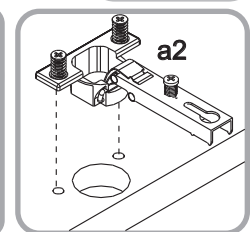
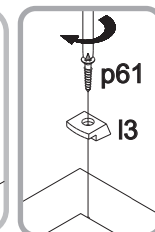
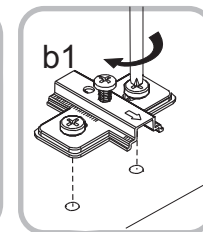
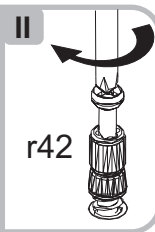
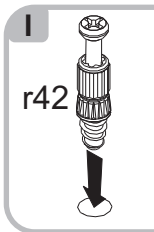
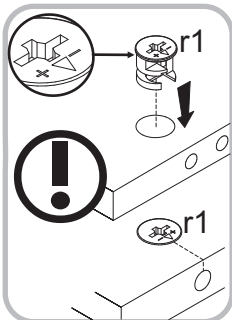
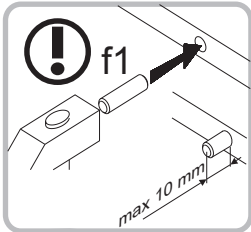
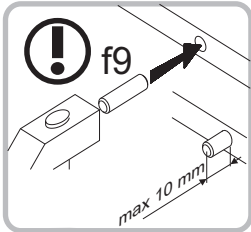
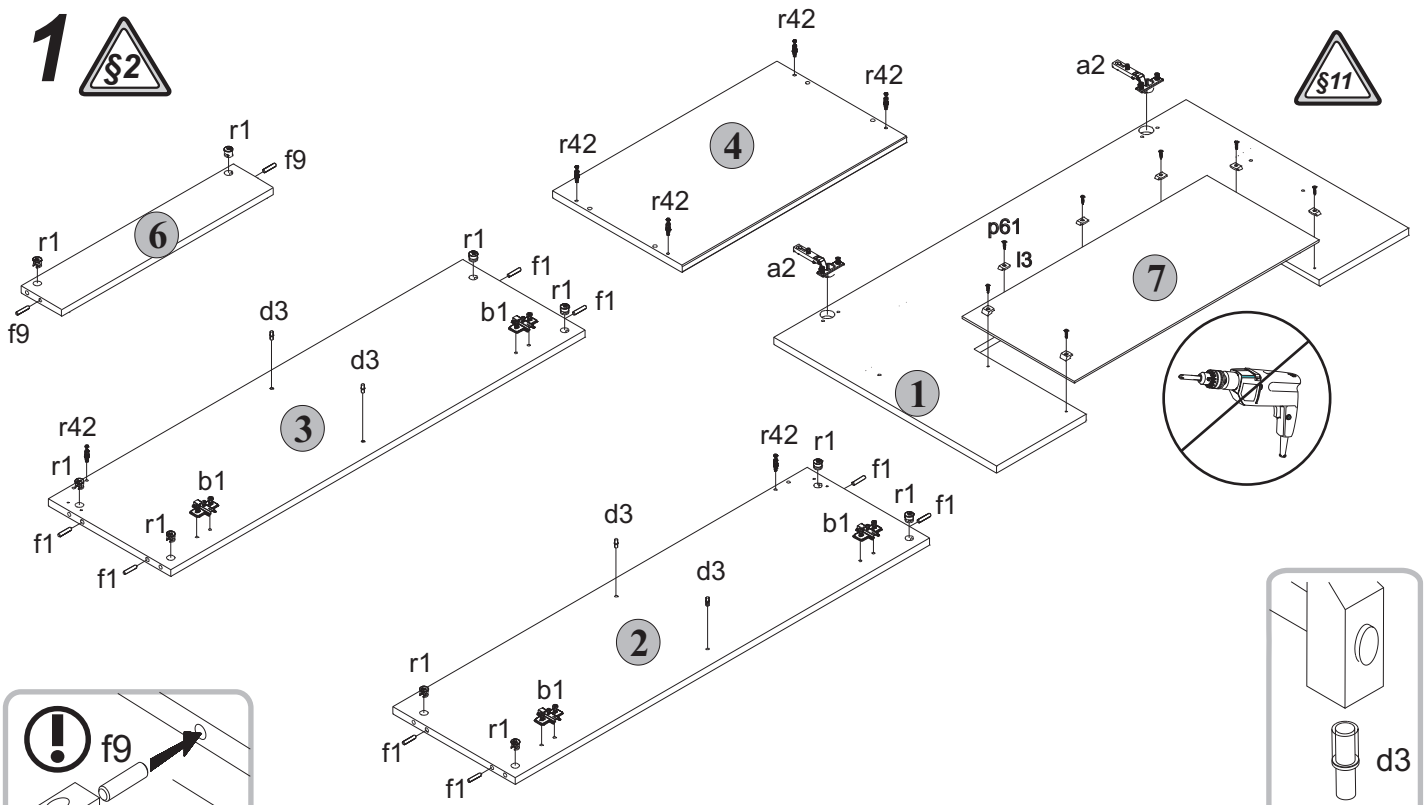
S302-SFW1W  
S302-SFW1W/BO



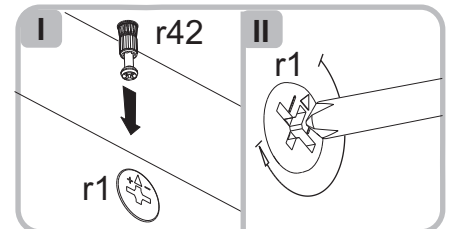
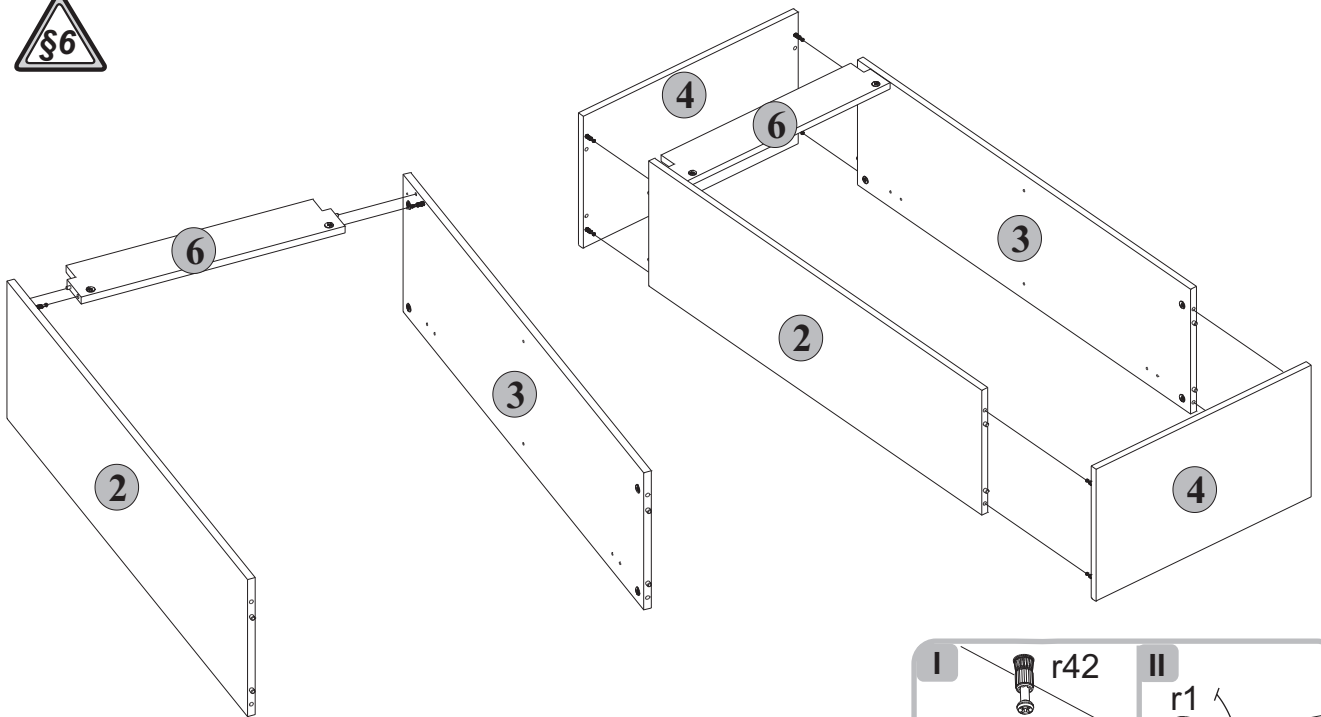
A	B	C	D
1	S302-002	1010x546	1
2	S302-105	1016x300	1
3	S302-106	1016x300	1
4	S302-204	550x318	1
5	S302-302	517x285	1
6	S302-401	519x100	1
7	S302-504	600x275	1
8	S302-902	988x544	1



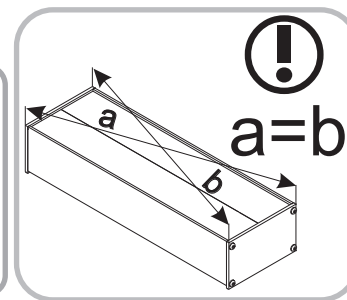
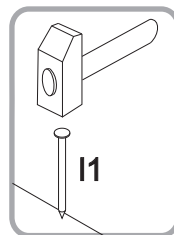
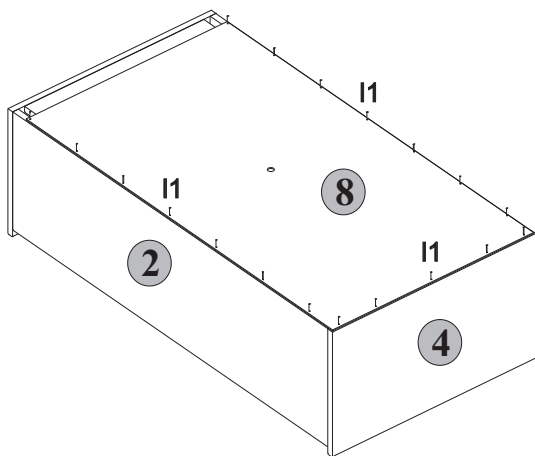
# 1



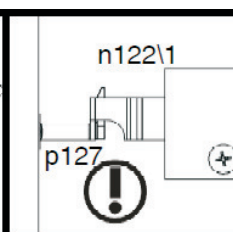
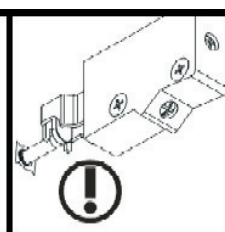
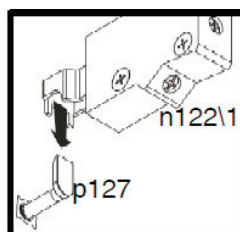
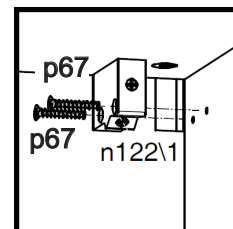
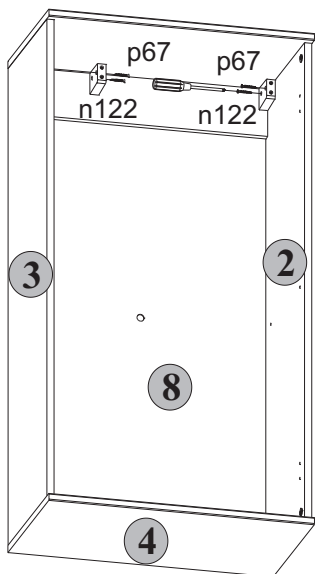
# 2



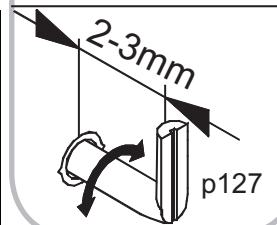
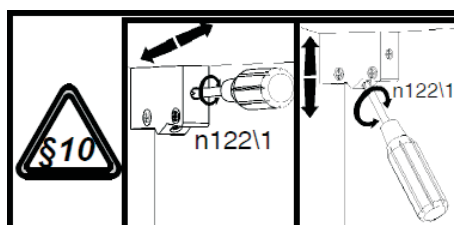
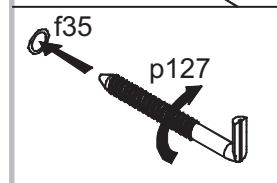
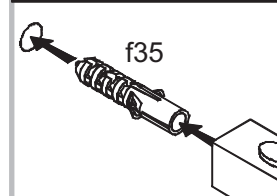
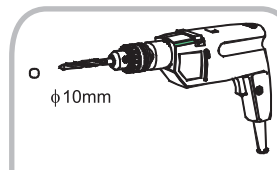
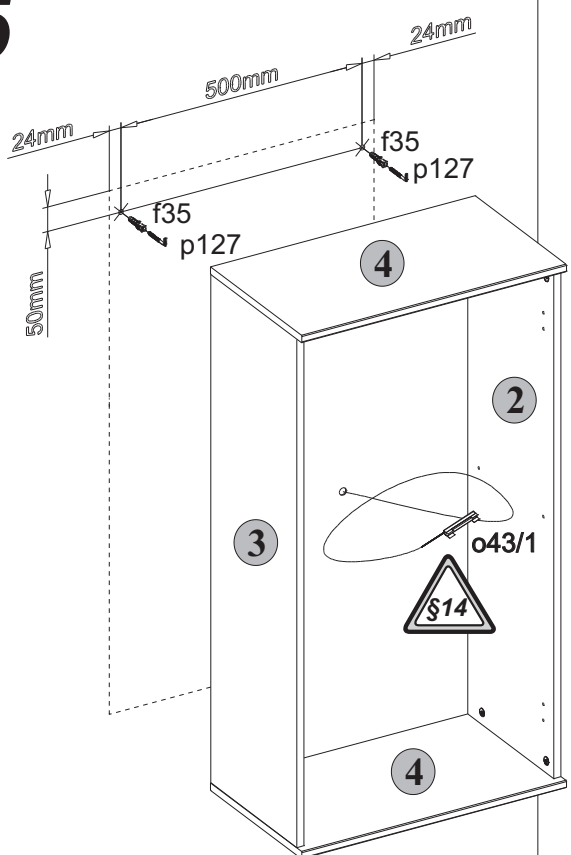
3



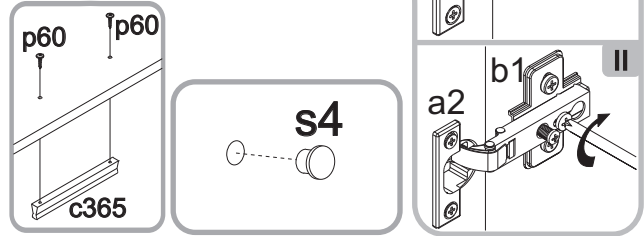
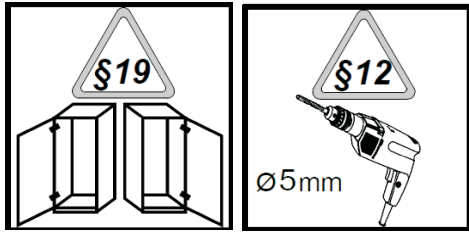
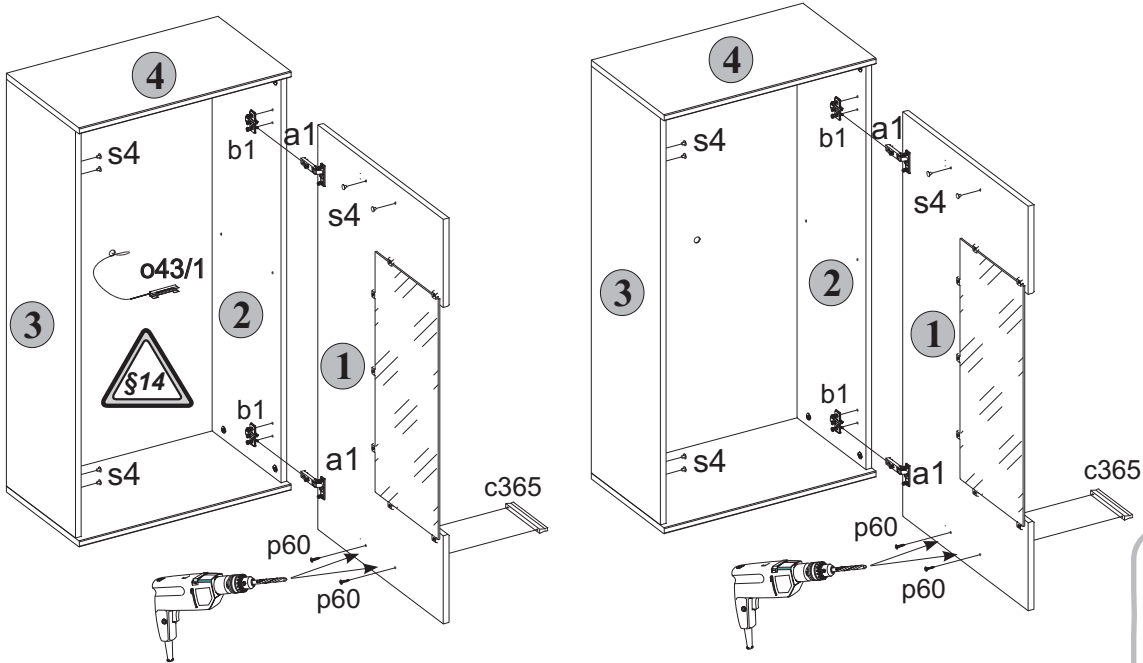
4



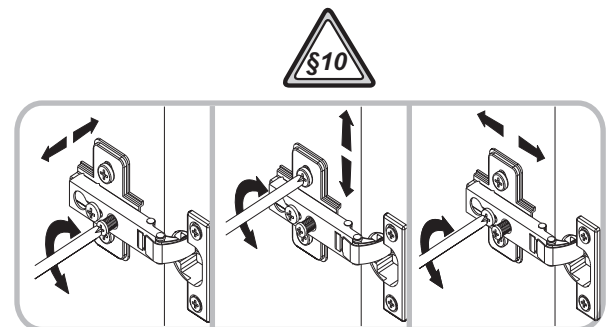
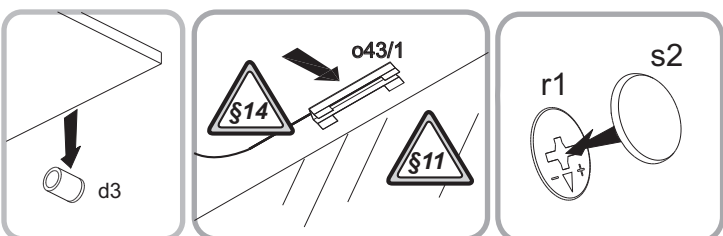
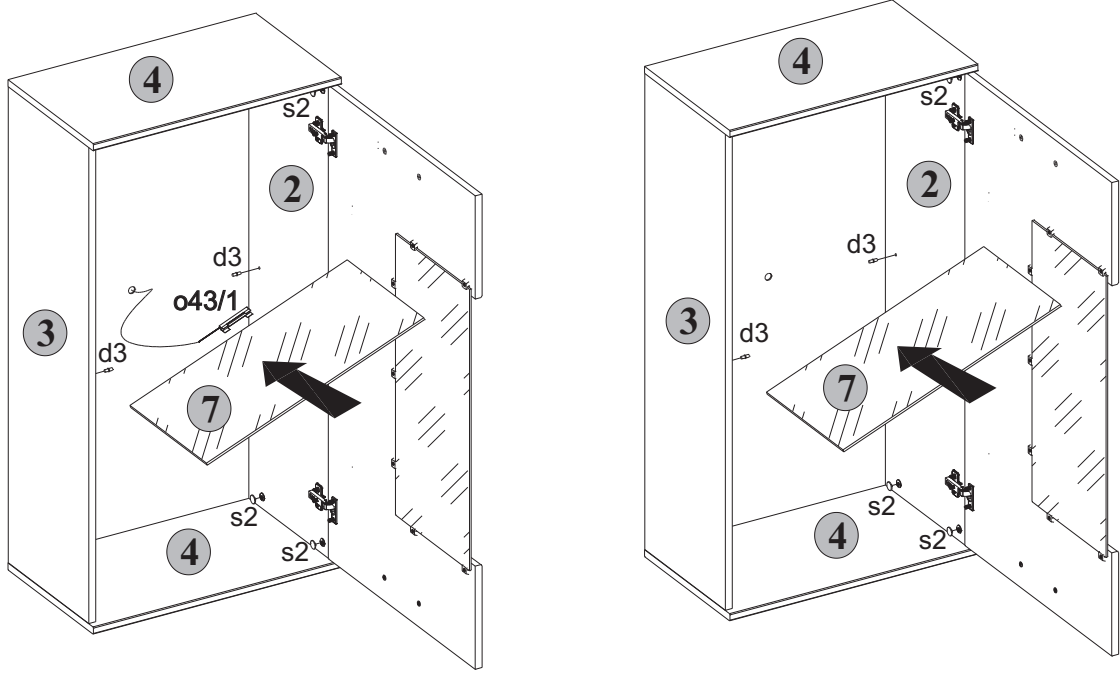
5

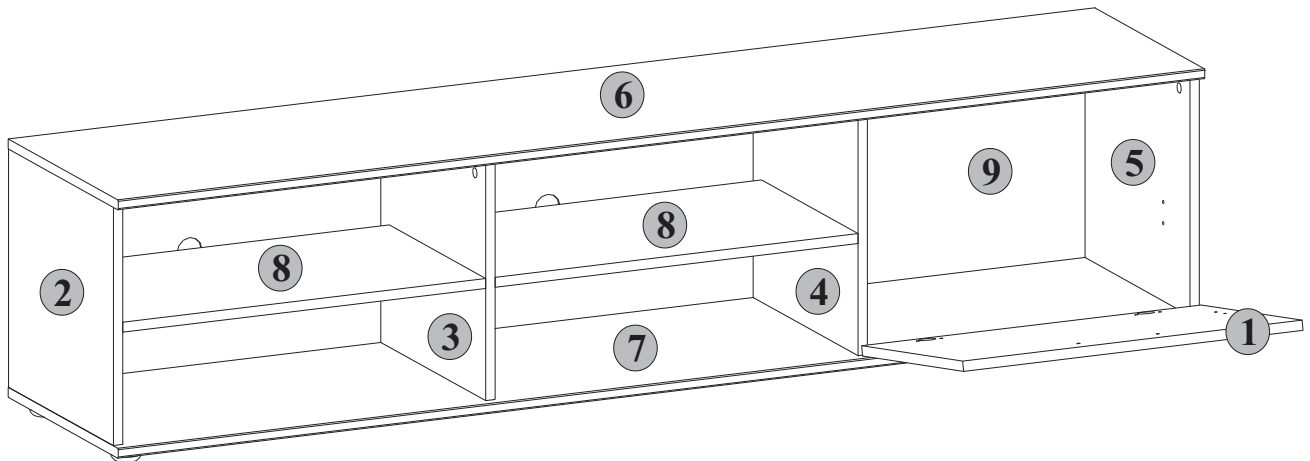
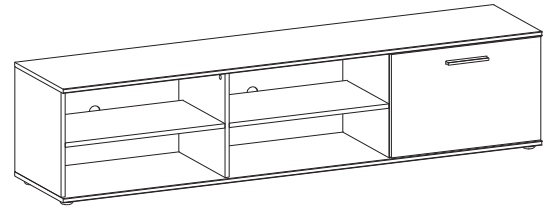


# 6

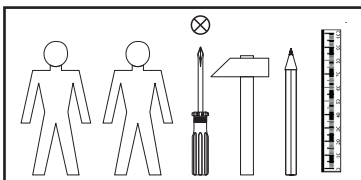


# 7



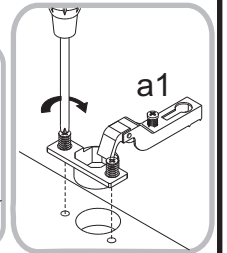
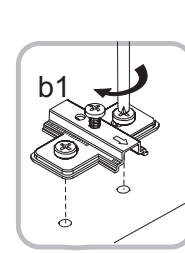
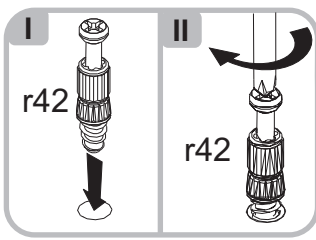
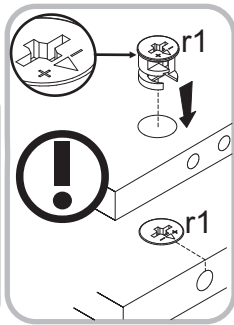
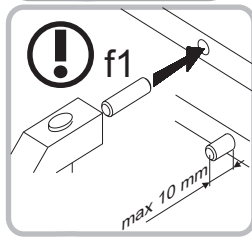
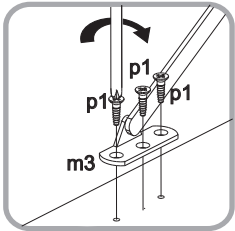
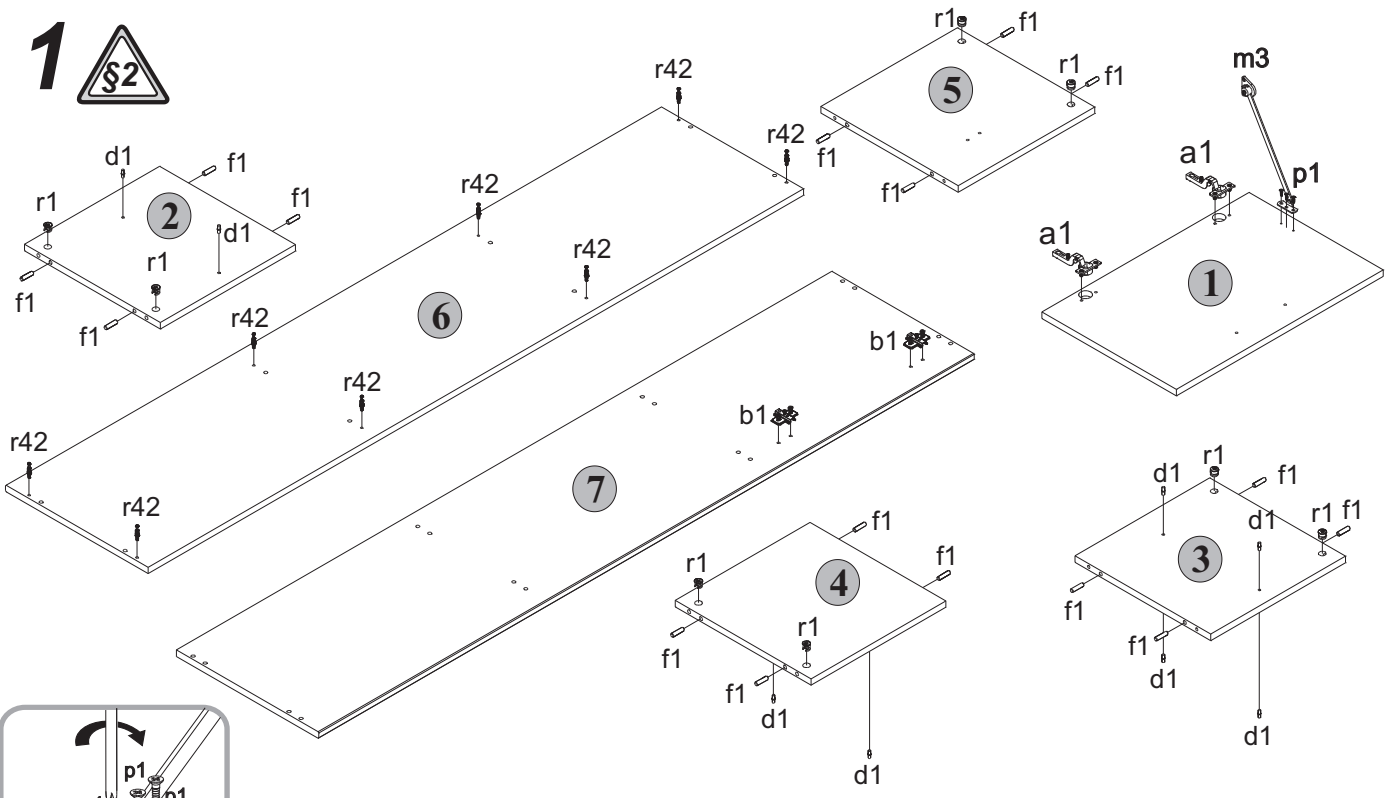


A	B	C	D
1	S302-001	546x354	4
2	S302-101	360x362	4
3	S302-102	360x362	4
4	S302-103	360x362	4
5	S302-104	360x362	4
6	S302-202	1748x380	4
7	S302-205	1748x380	4
8	S302-301	584x332	4
9	S302-901	1741x385	4

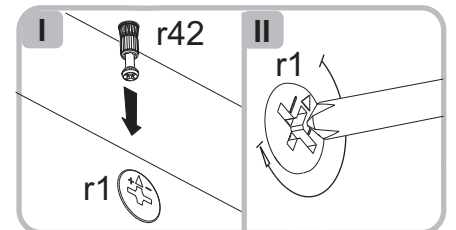
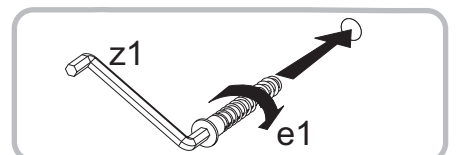
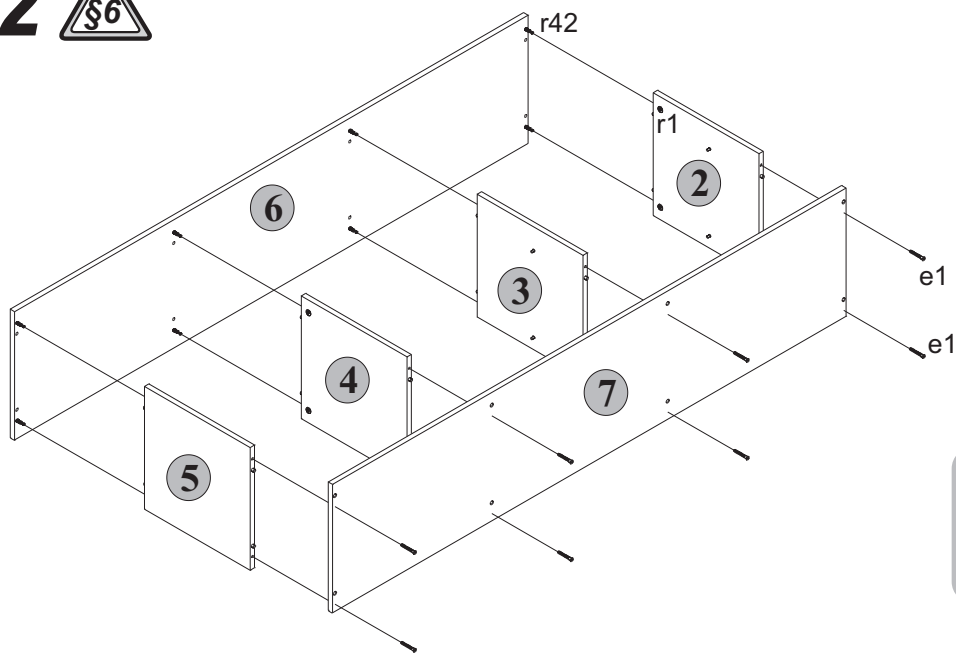


8x φ5x17 mm d1	4x ø16 s2	2x K16 a1	2x b1	1x c365	8x φ7x50 mm e1	2x φ6x13 mm e3	16x φ8x30 mm f1	
6x φ45x15 mm k50	50x l1	1x L-236 m3	3x φ3.5x13 mm p1	2x φ4x22 mm p60	6x φ4x20 mm p68	8x φ15x12mm #16 r1	8x r42	1x z1

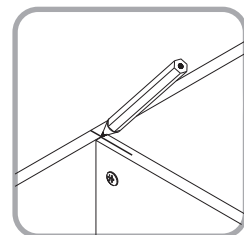
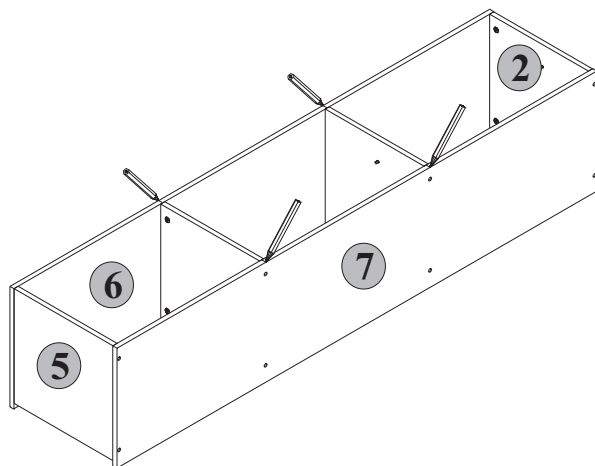
# 1



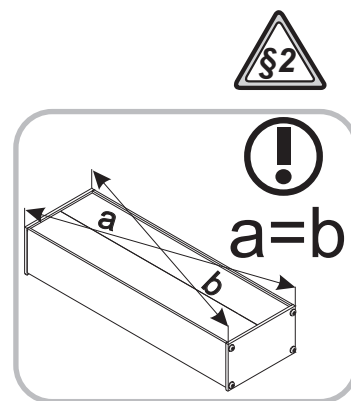
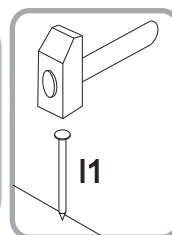
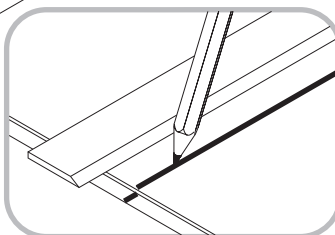
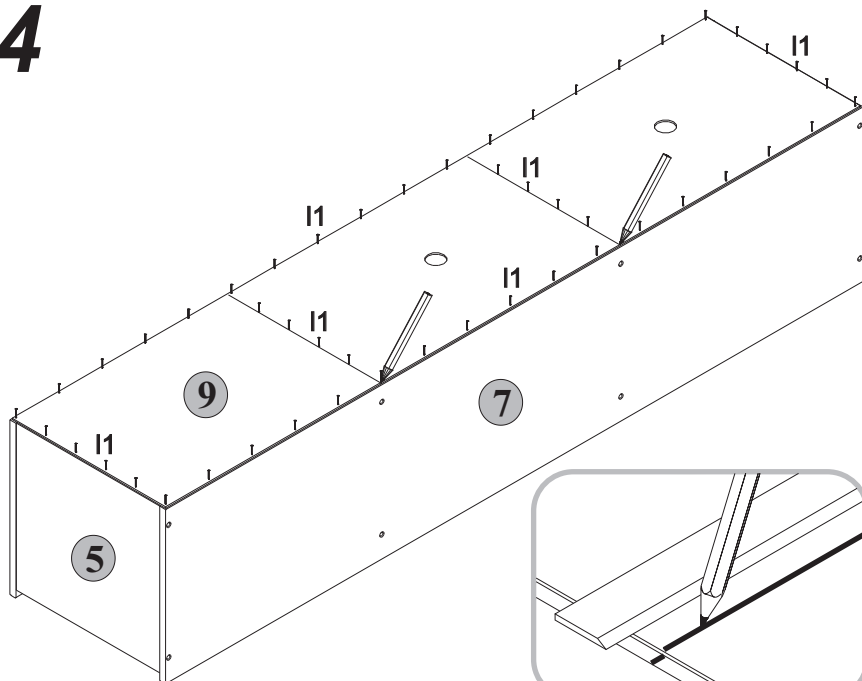
# 2



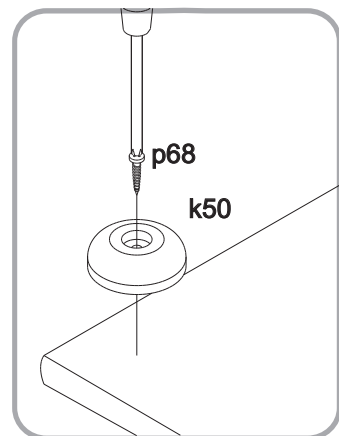
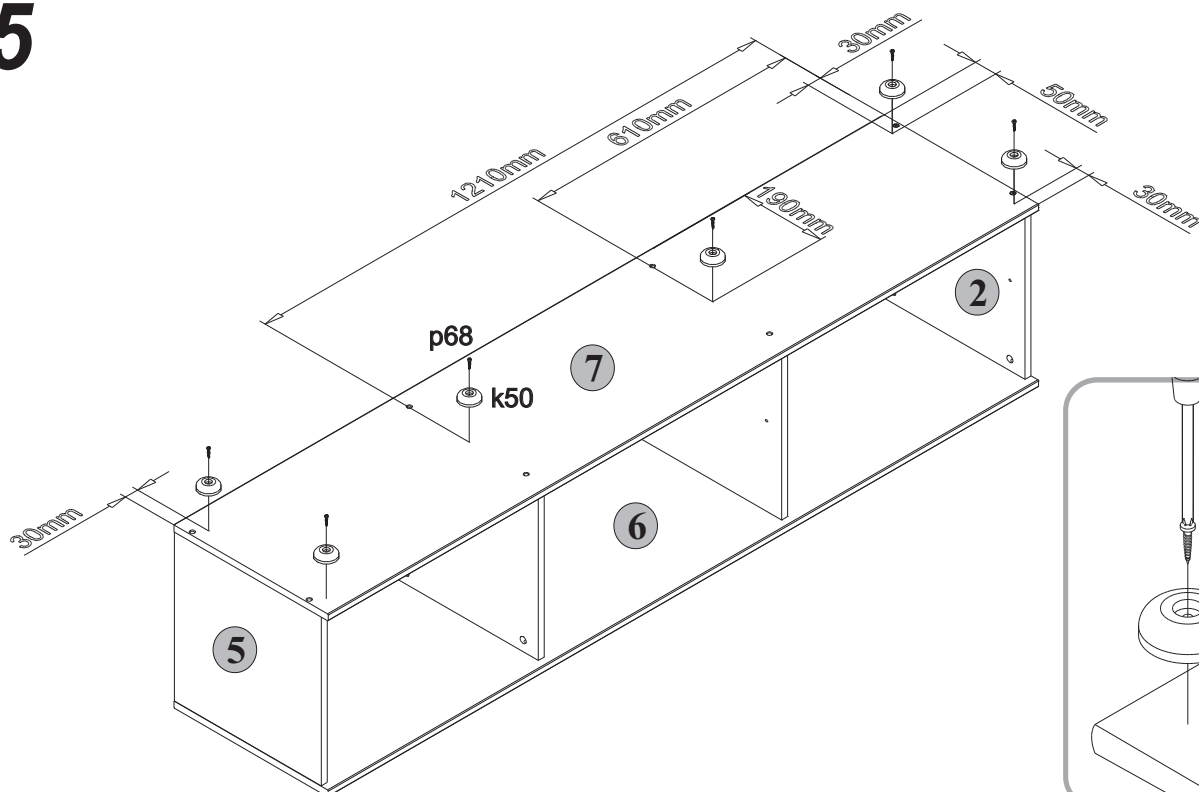
# 3



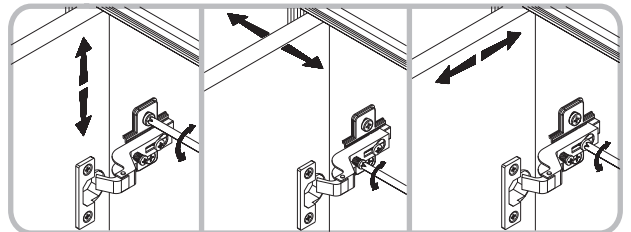
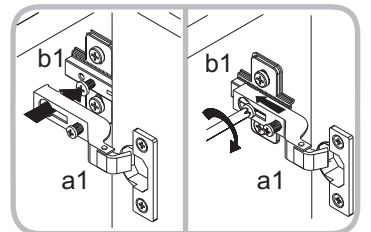
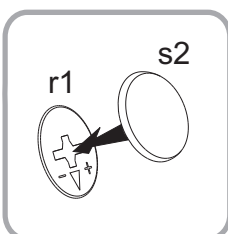
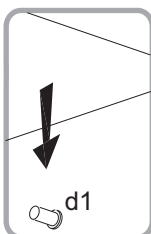
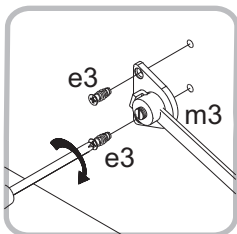
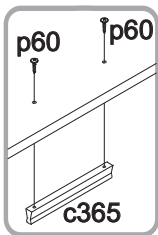
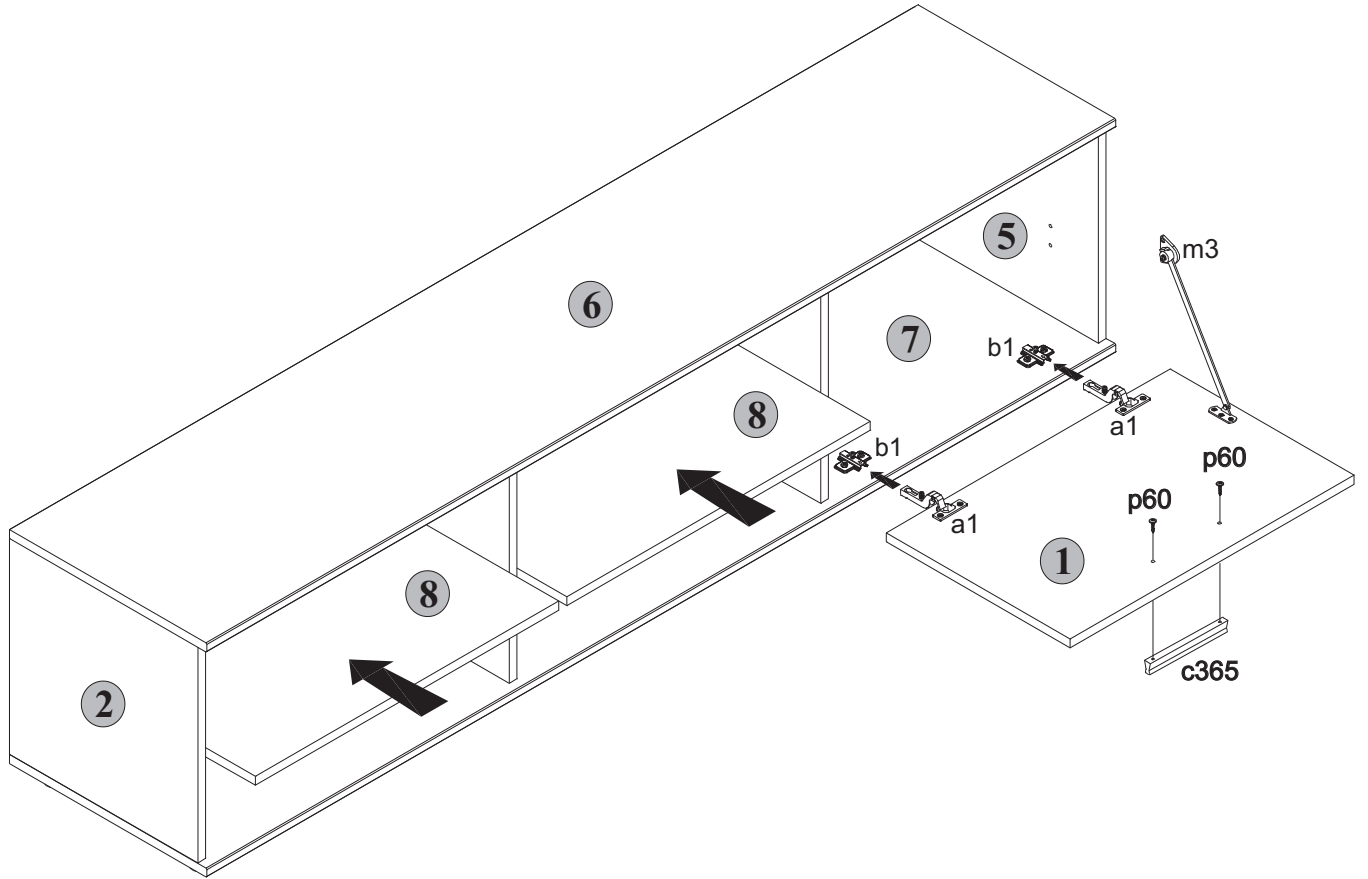
# 4



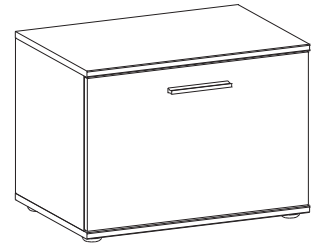
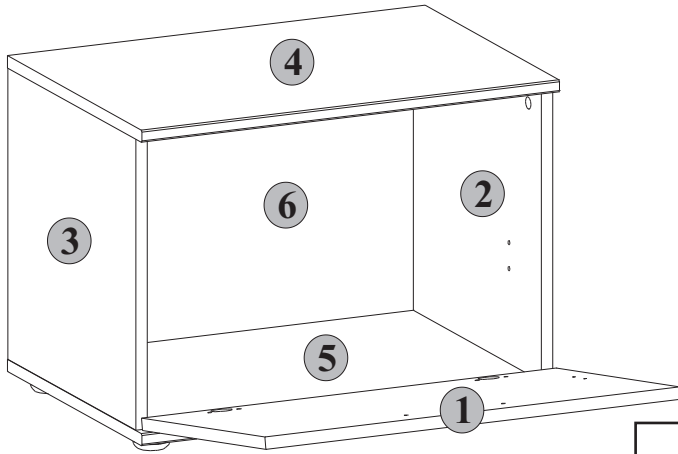
# 5



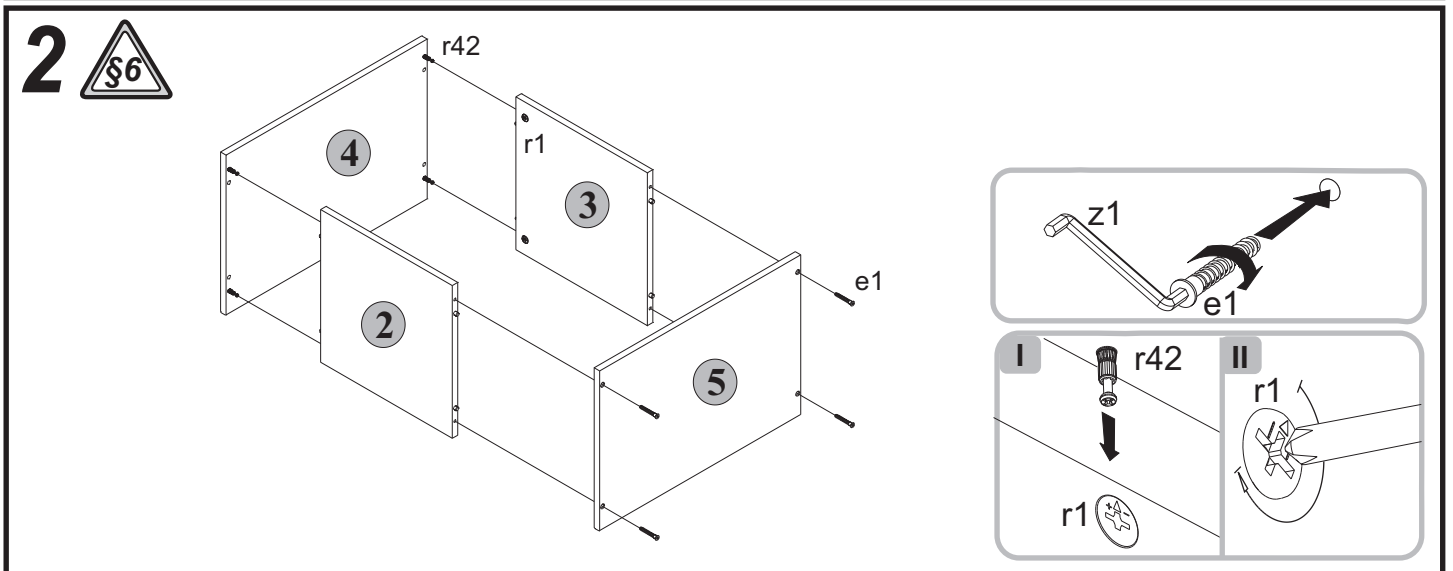
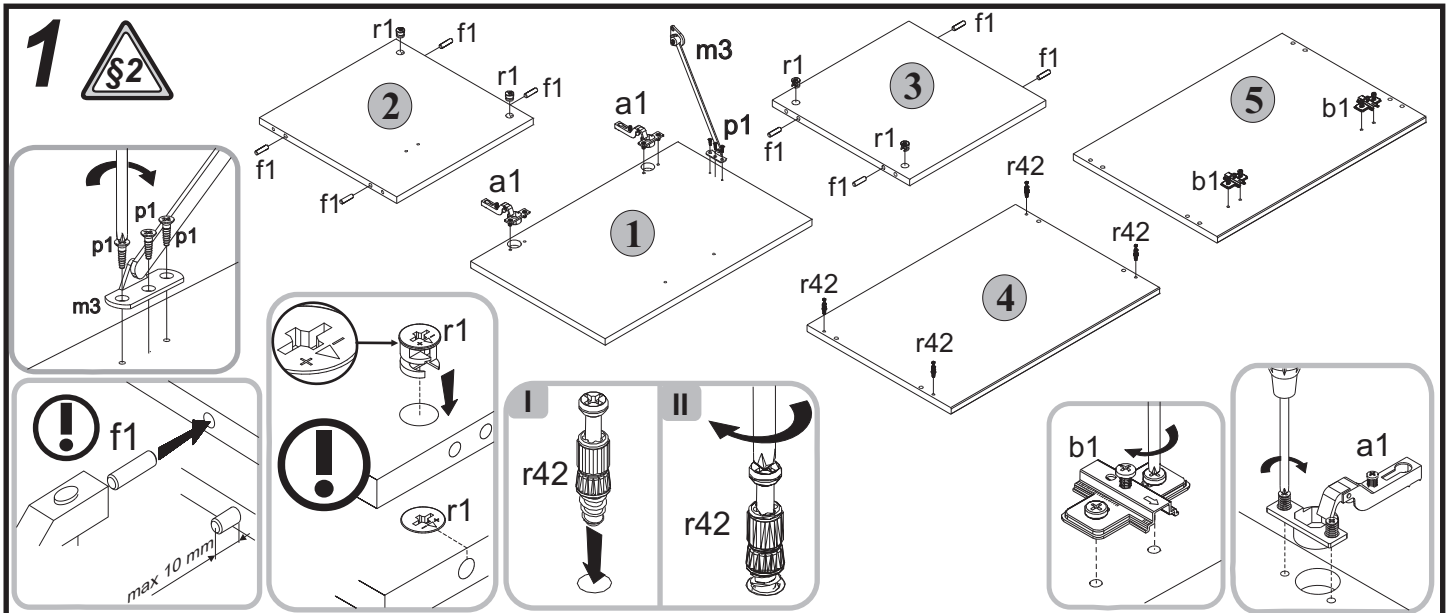
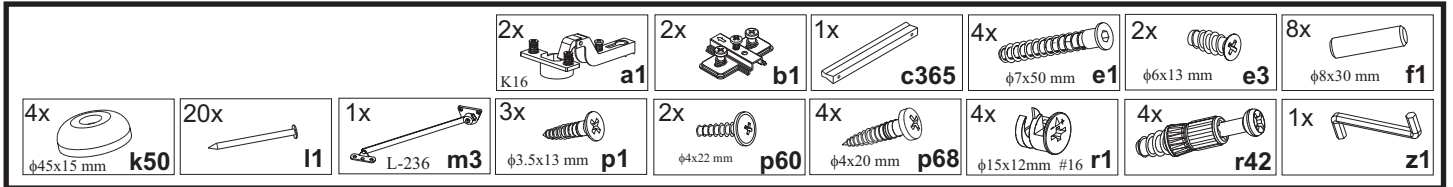
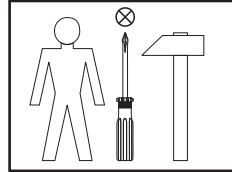
# 6

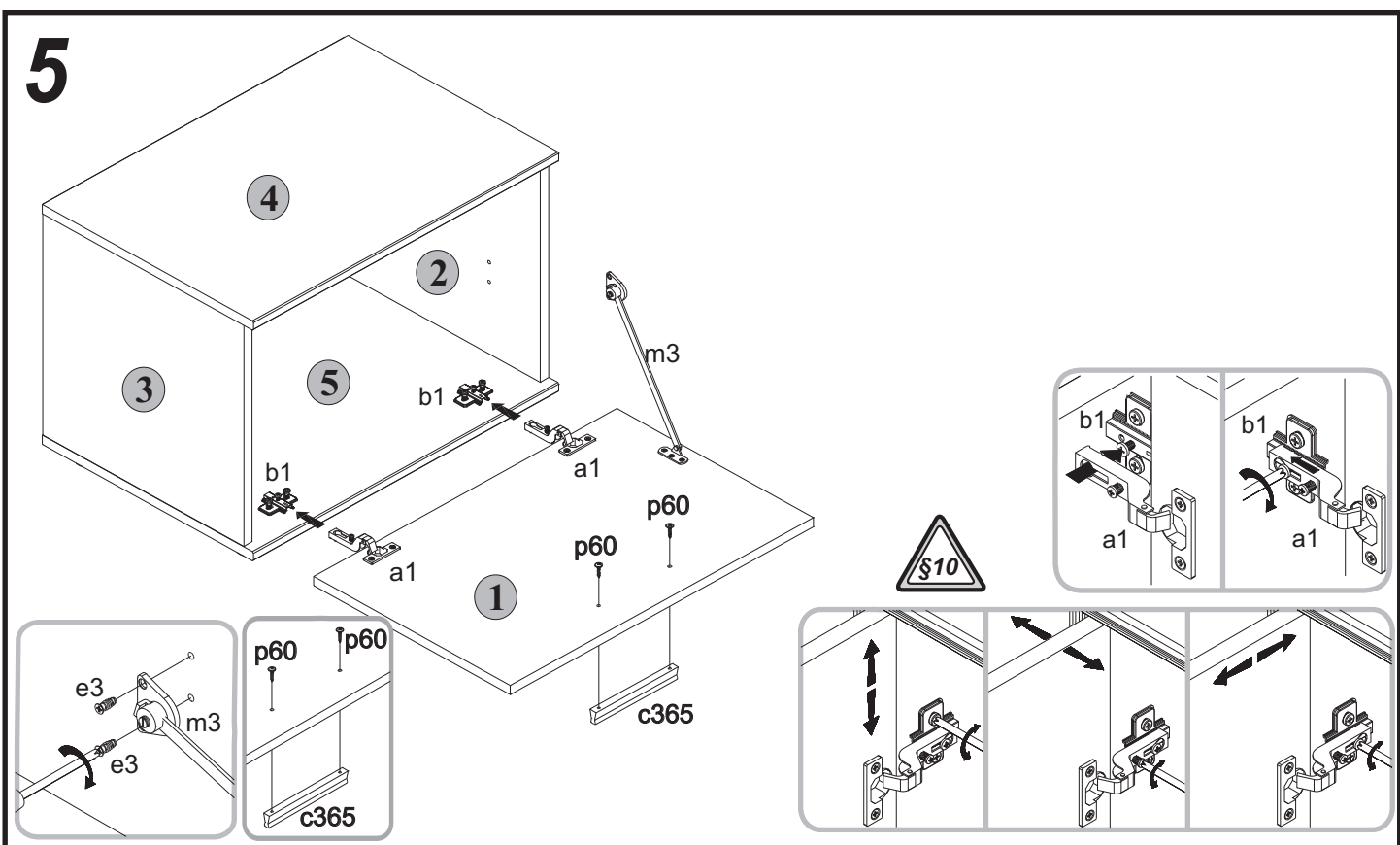
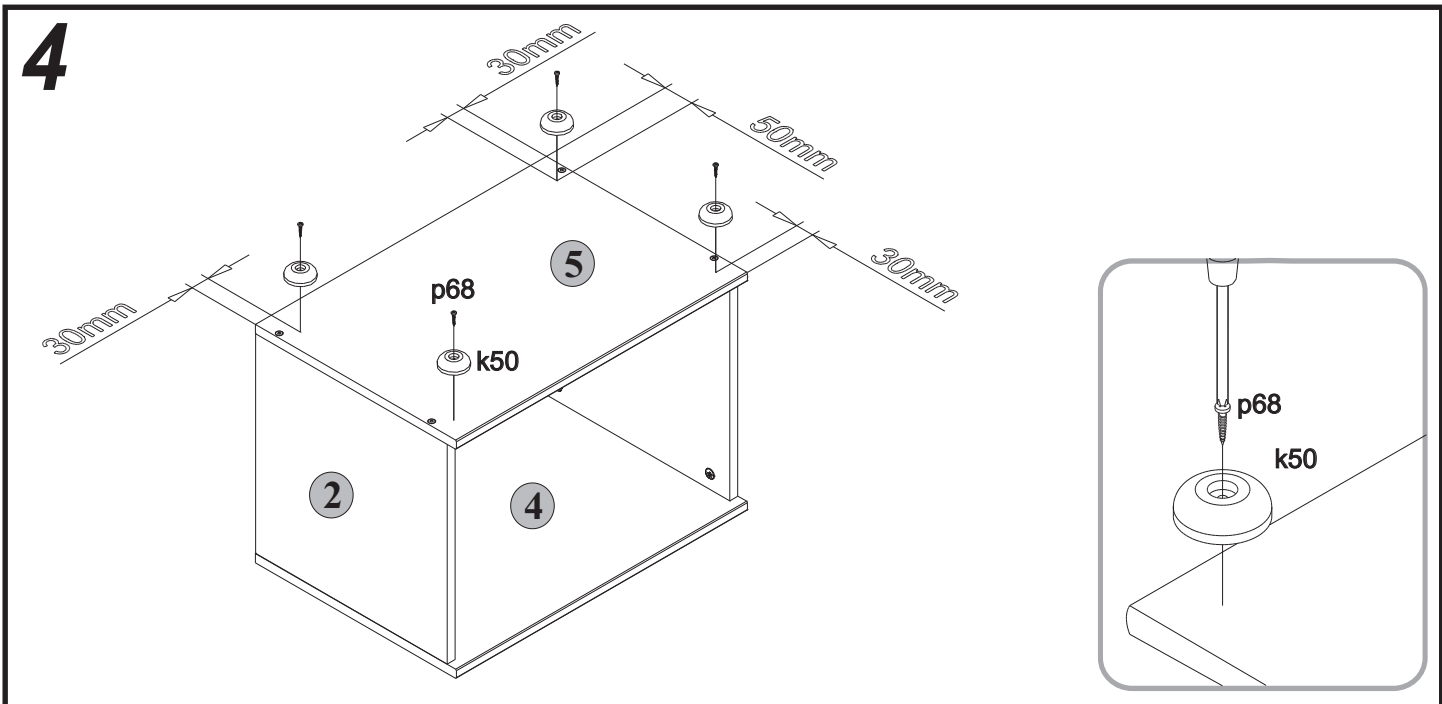
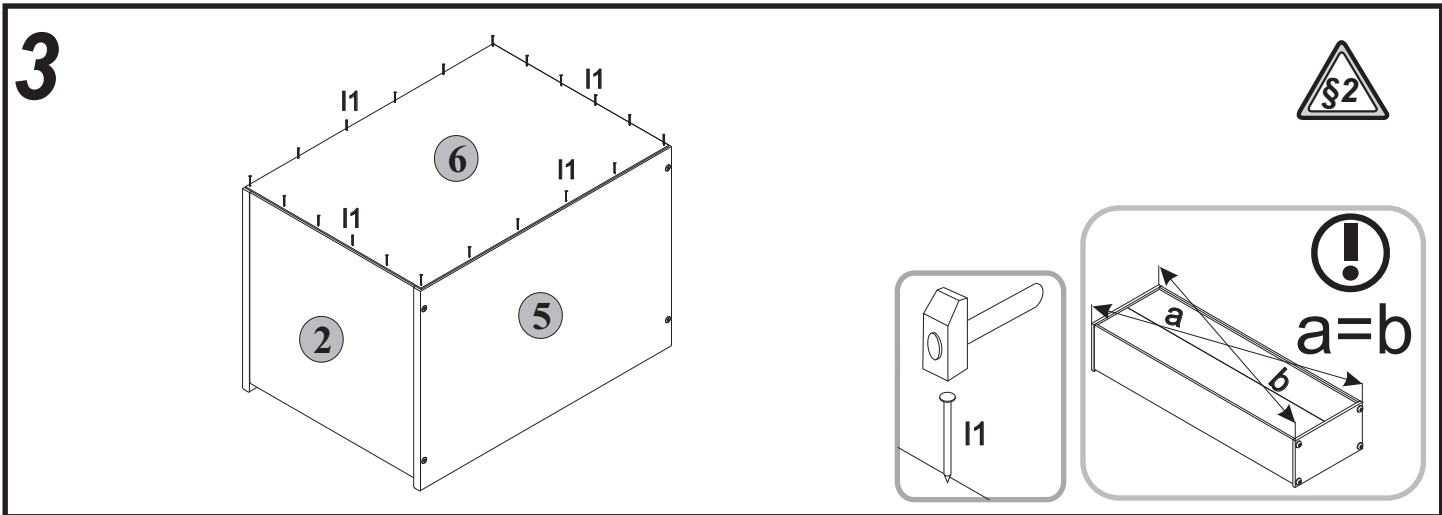






A	B	C	D
1	S302-001	546x354	3
2	S302-104	360x362	3
3	S302-109	360x362	3
4	S302-206	550x380	3
5	S302-207	550x380	3
6	S302-904	385x543	3

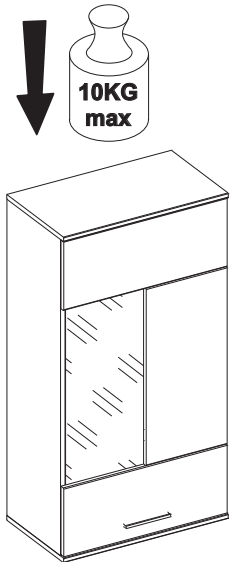
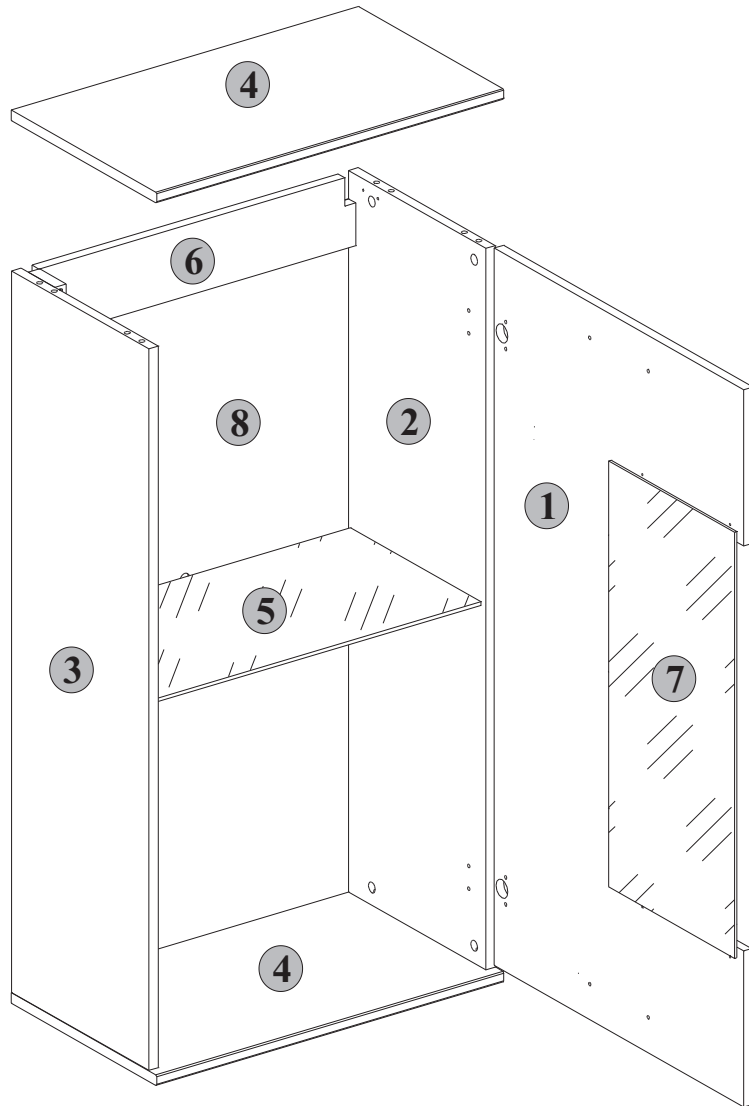




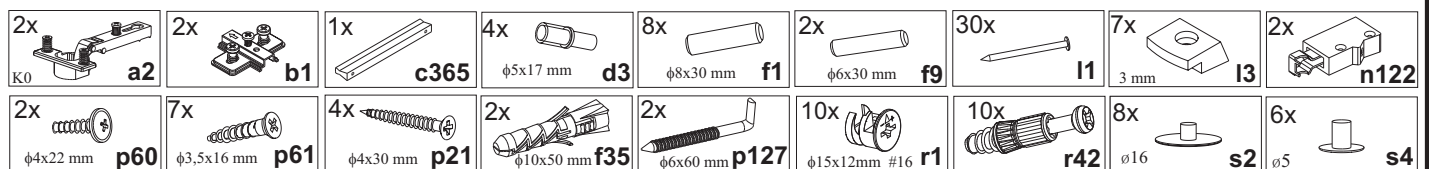
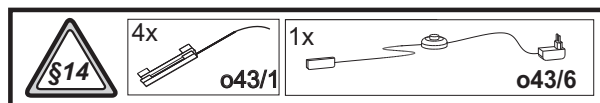
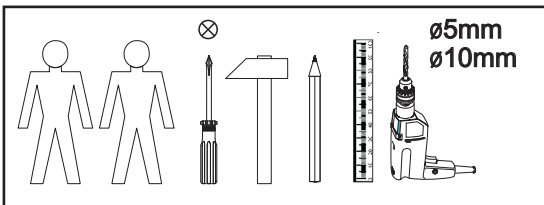
89-570  
89-571

# FRONTAL

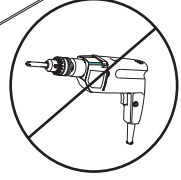
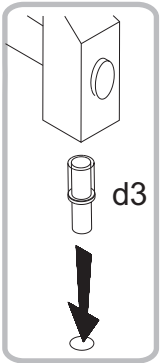
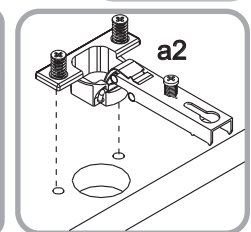
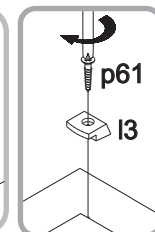
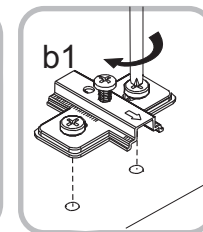
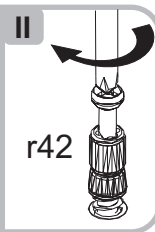
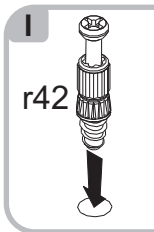
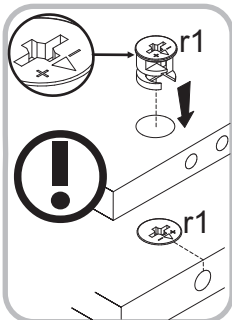
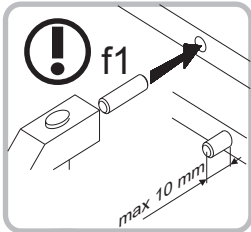
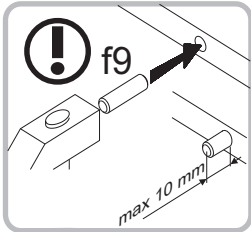
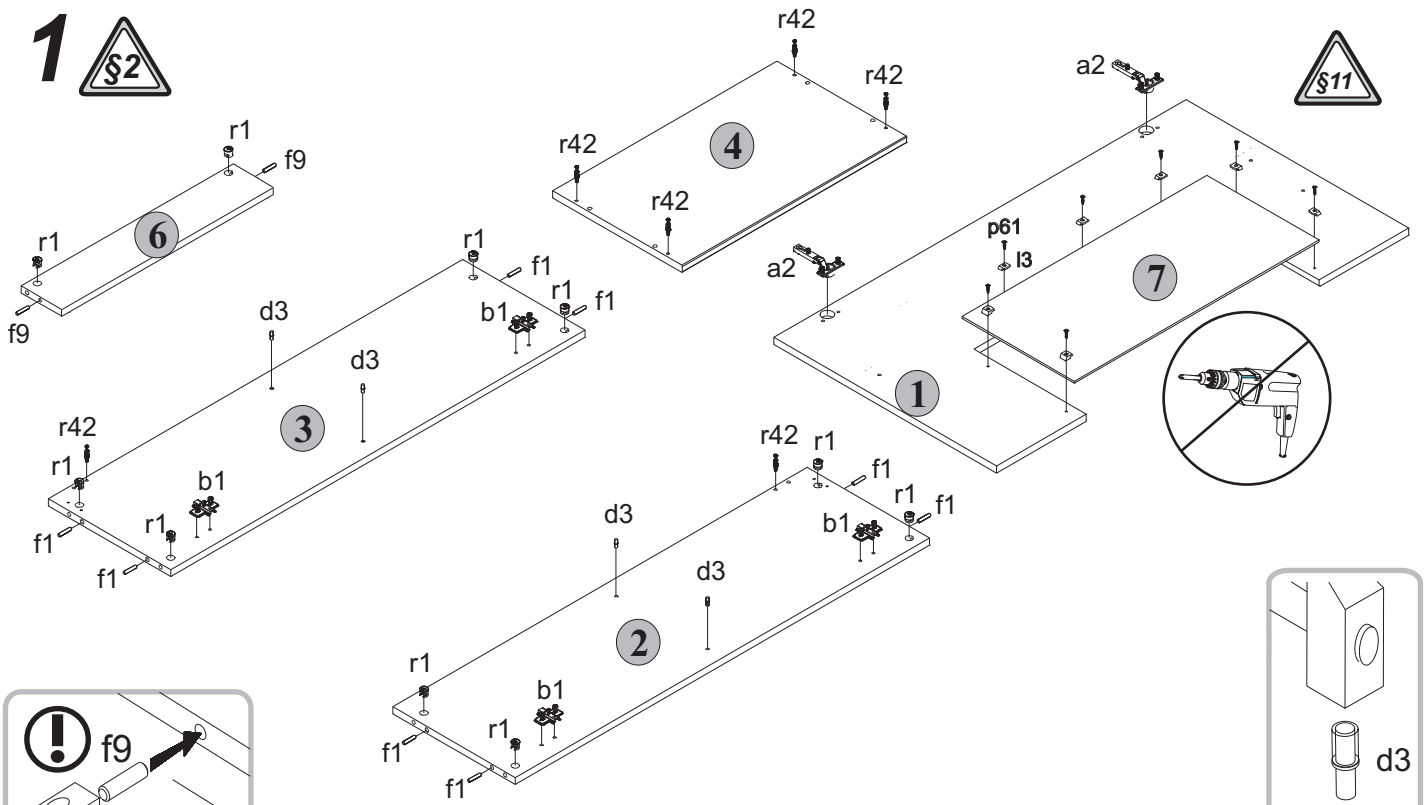
S302-SFW1W  
S302-SFW1W/BO



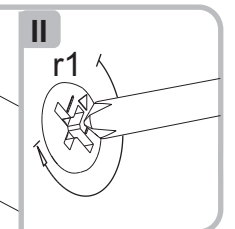
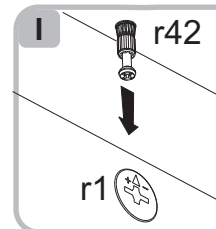
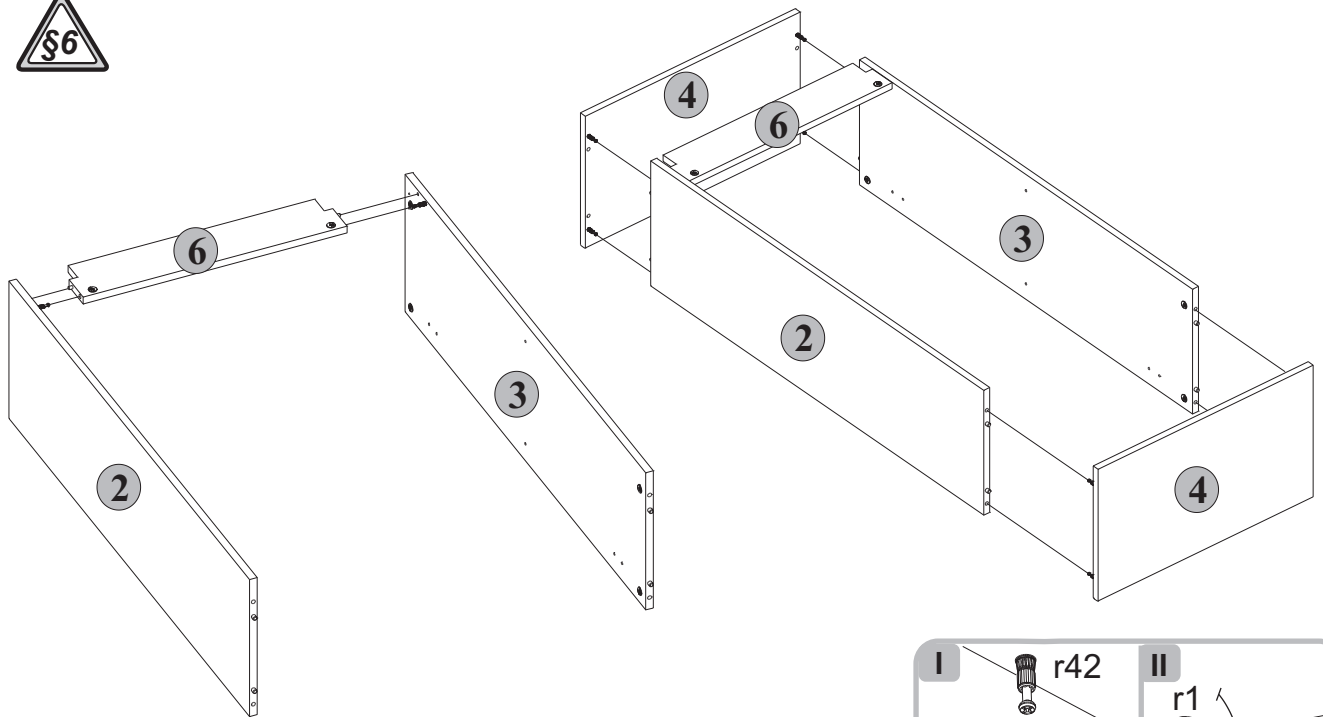
A	B	C	D
1	S302-002	1010x546	1
2	S302-105	1016x300	1
3	S302-106	1016x300	1
4	S302-204	550x318	1
5	S302-302	517x285	1
6	S302-401	519x100	1
7	S302-504	600x275	1
8	S302-902	988x544	1



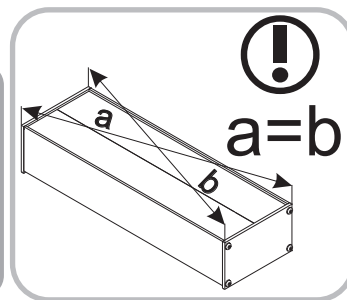
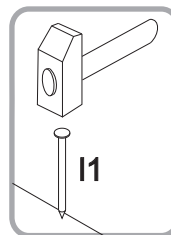
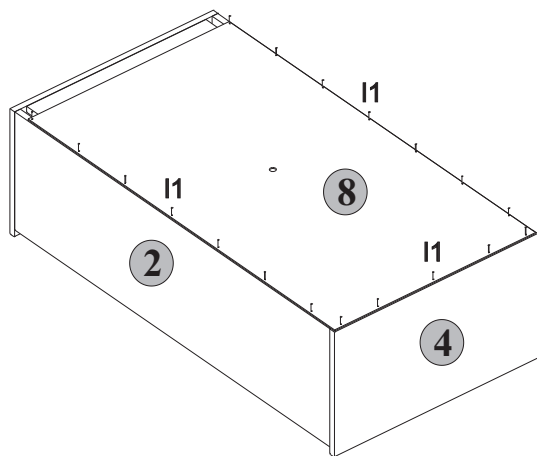
# 1



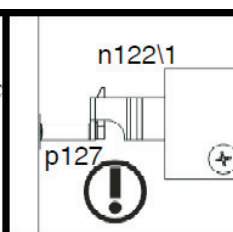
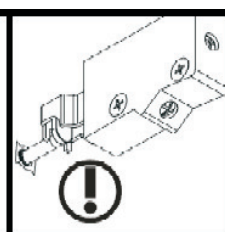
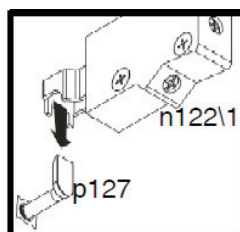
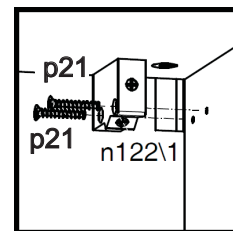
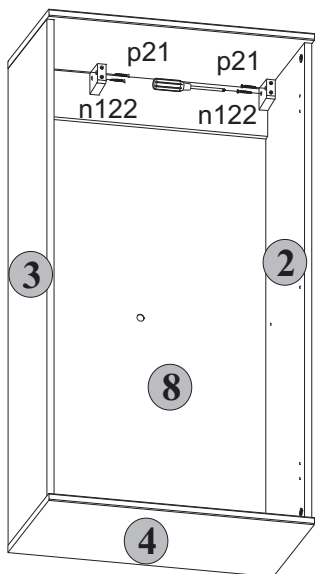
# 2



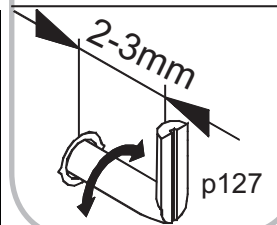
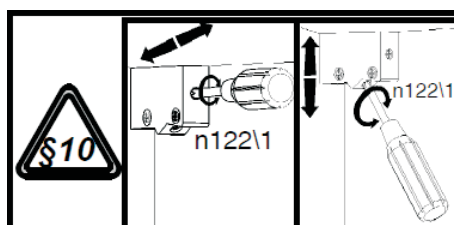
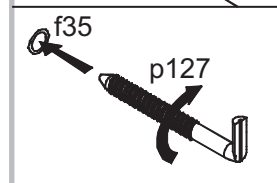
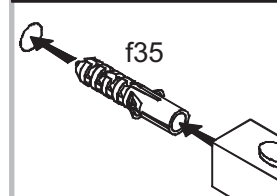
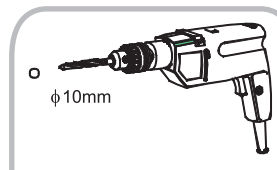
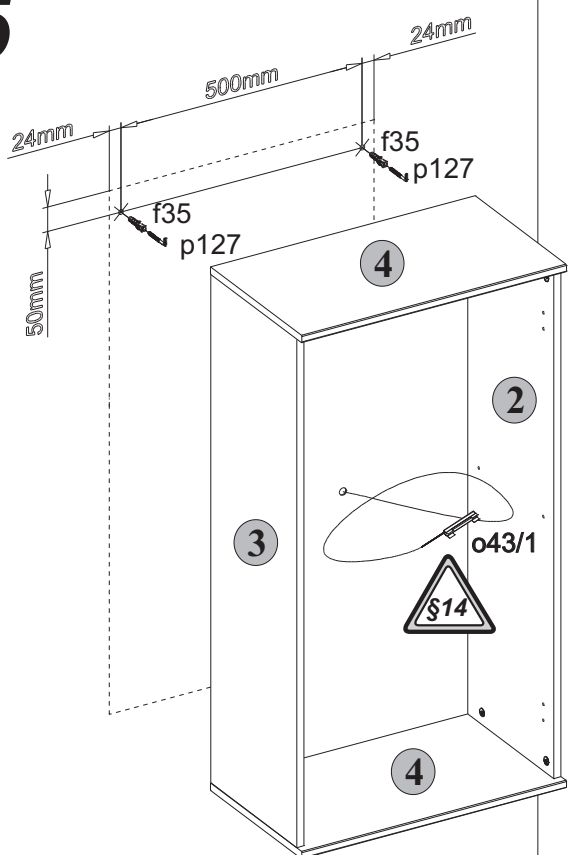
# 3



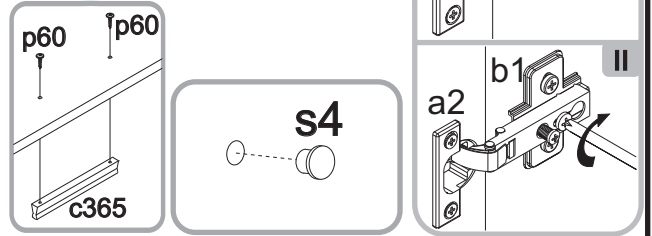
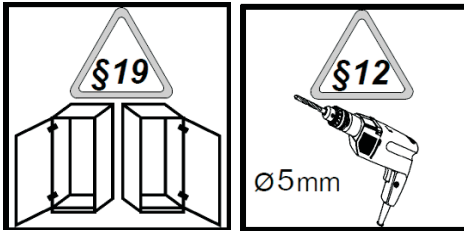
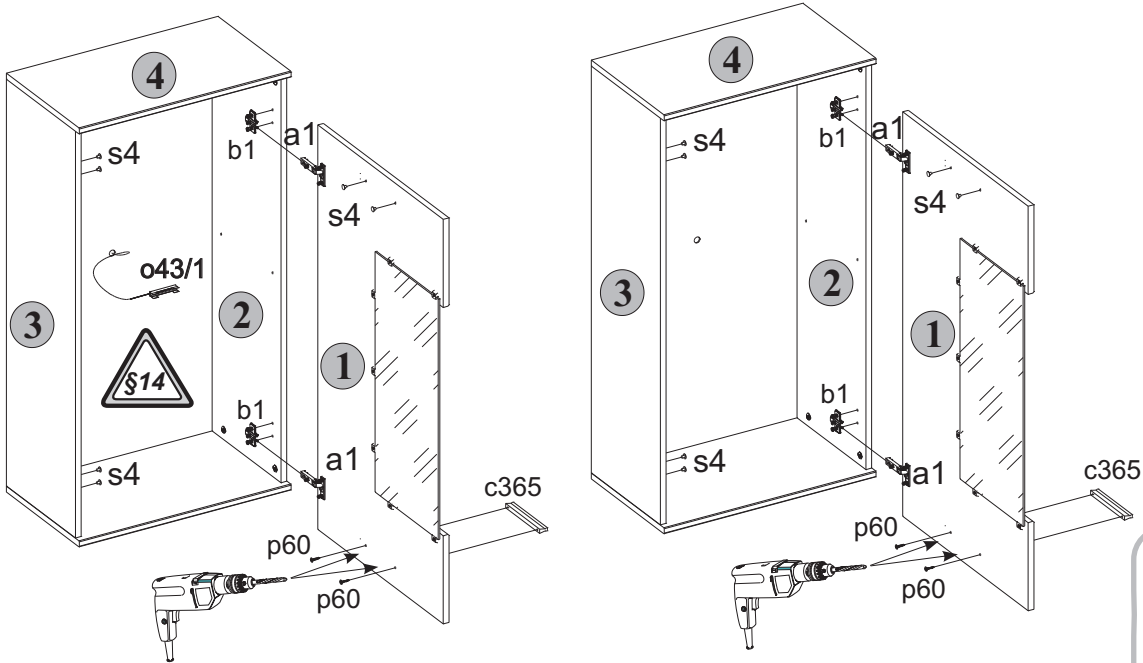
# 4



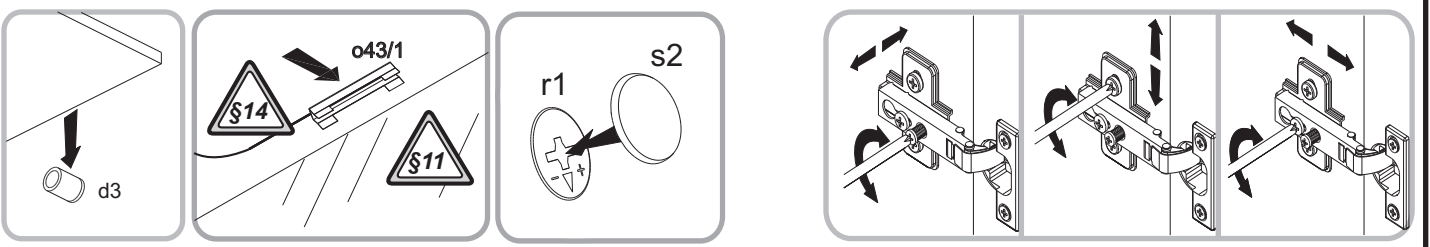
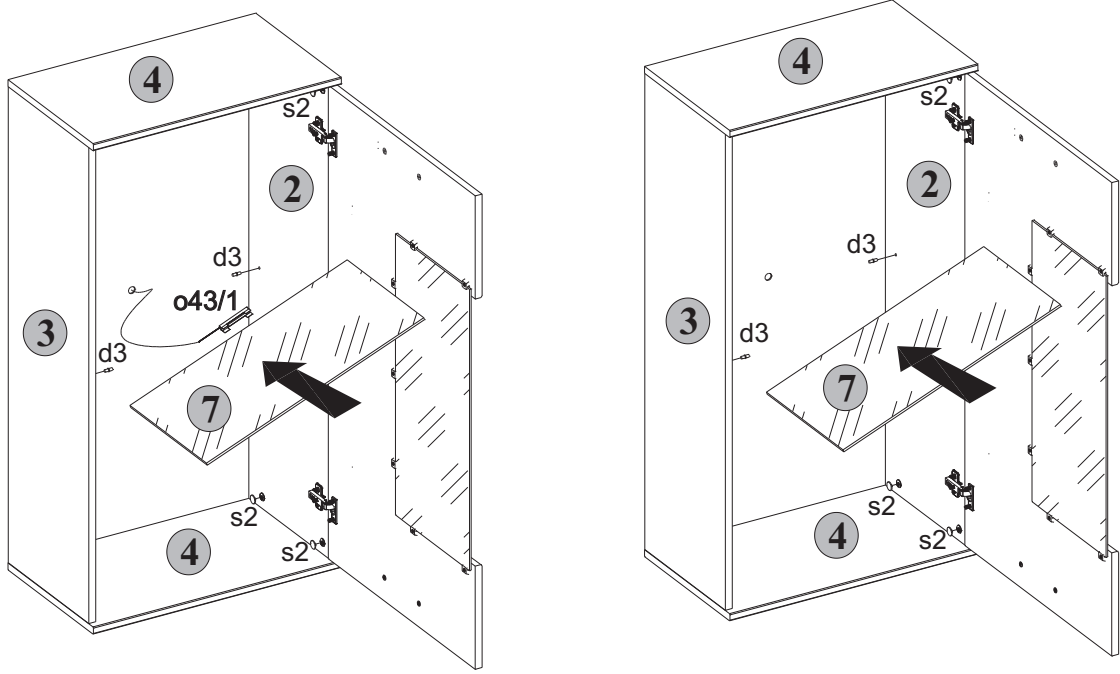
# 5

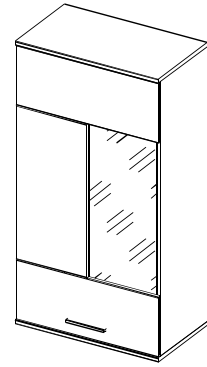
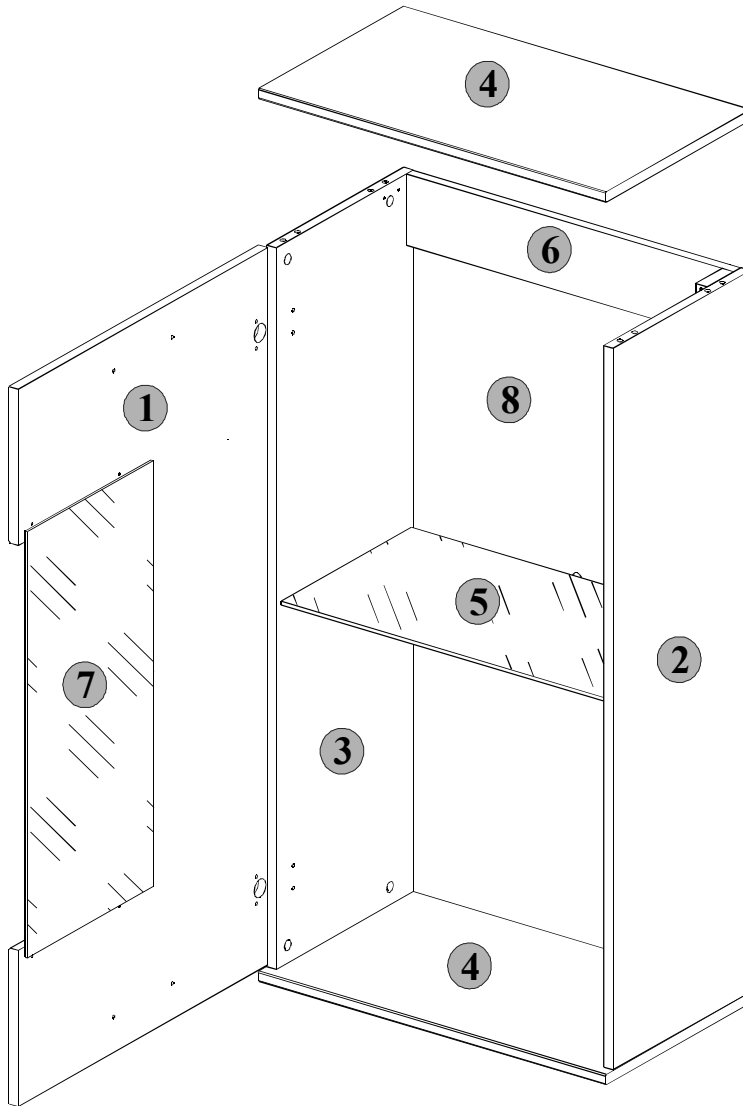


# 6

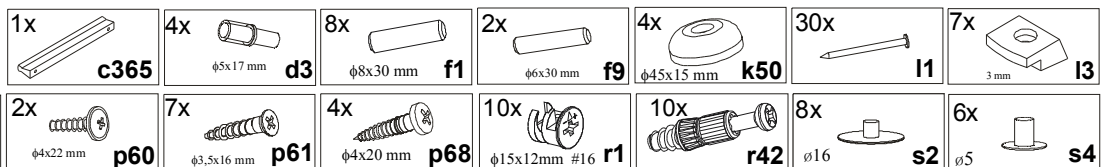
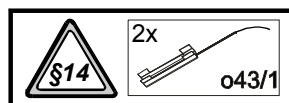
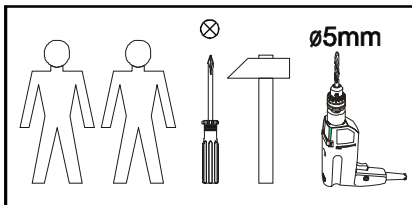


# 7

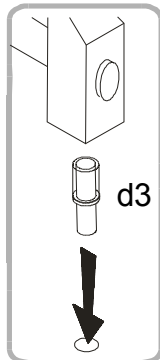
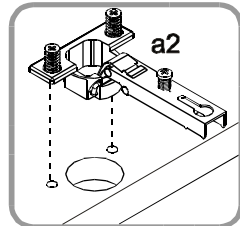
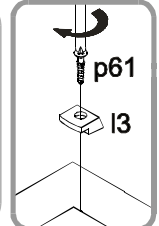
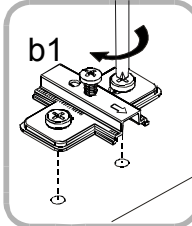
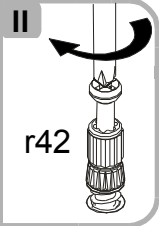
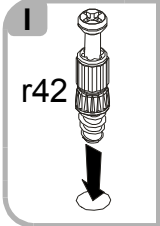
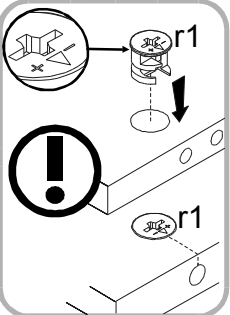
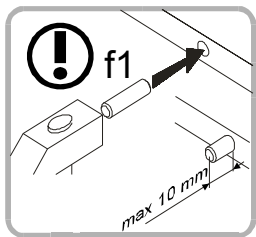
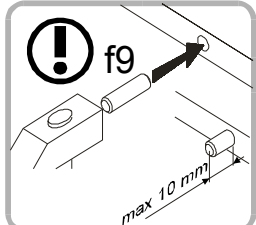
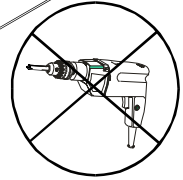
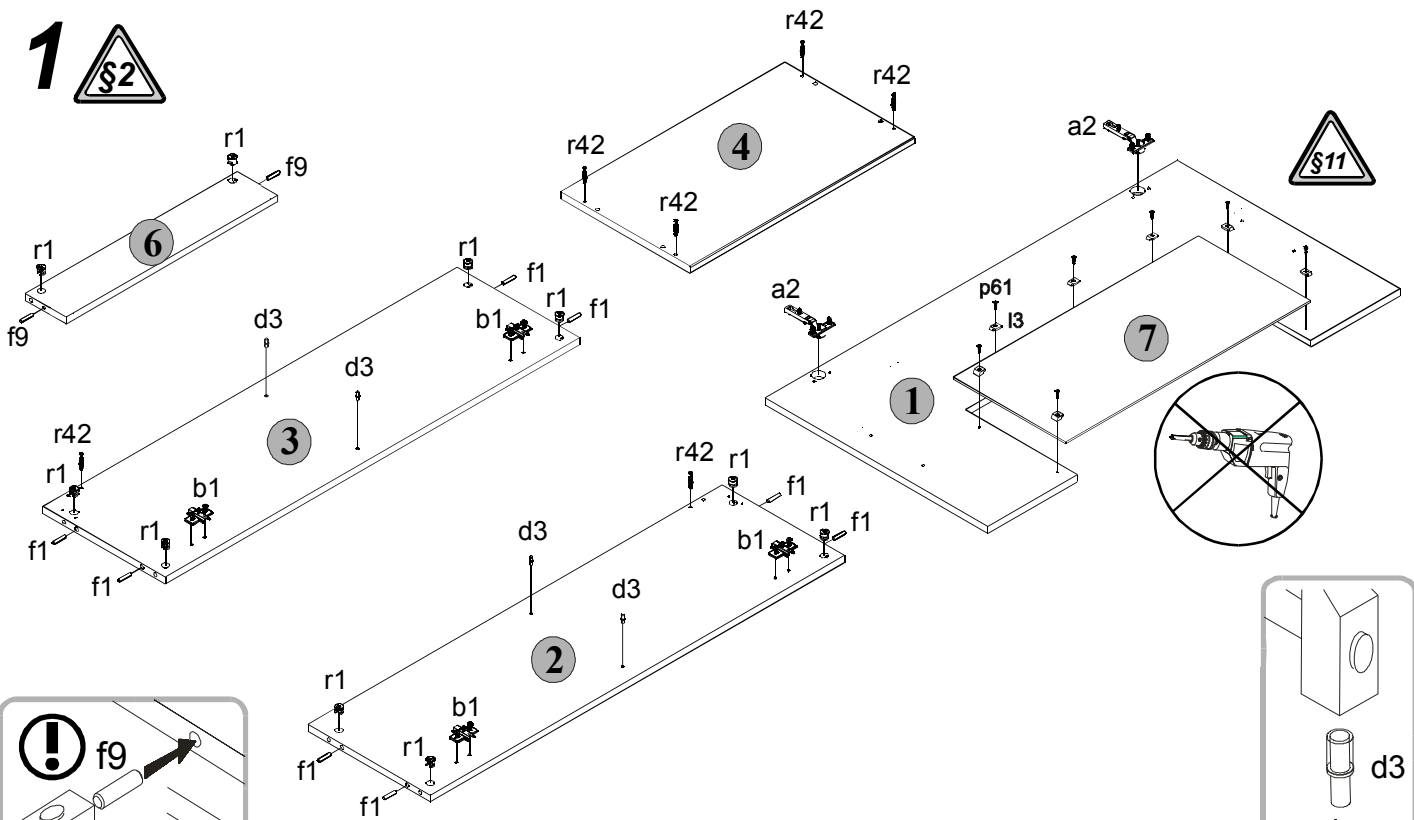




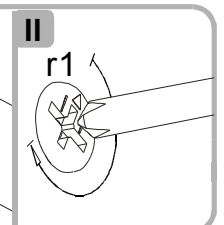
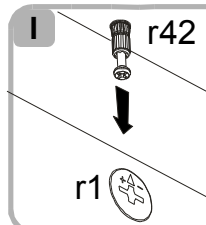
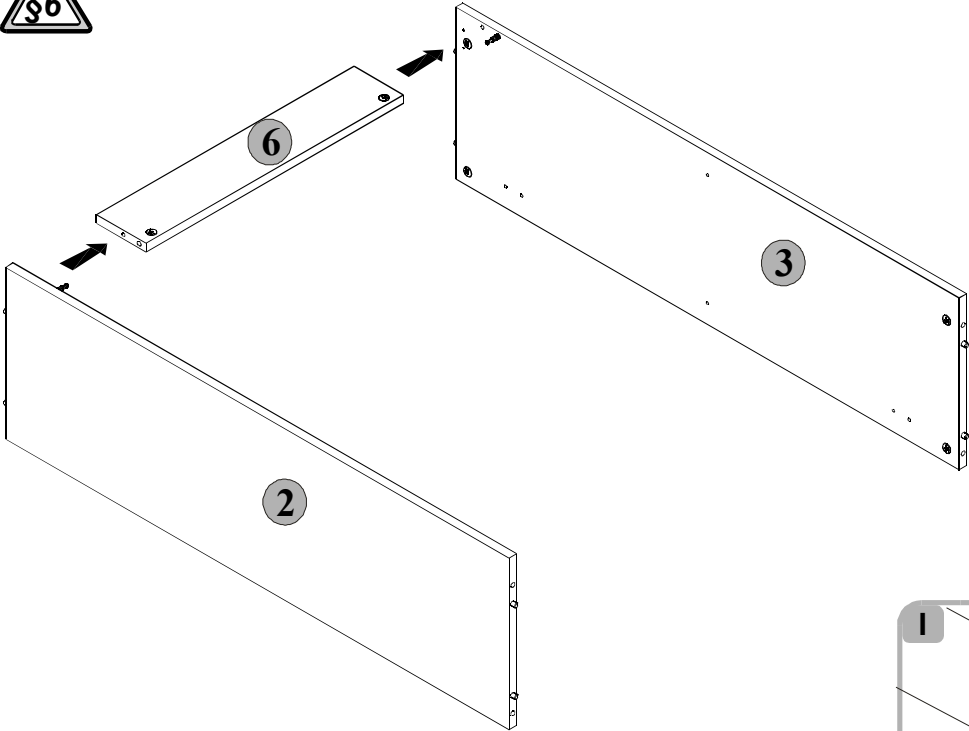
A	B	C	D
1	S302-002	1010x546	2
2	S302-107	1016x300	2
3	S302-108	1016x300	2
4	S302-204	550x318	2
5	S302-302	517x285	2
6	S302-402	519x100	2
7	S302-504	600x275	2
8	S302-903	1041x544	2



# 1

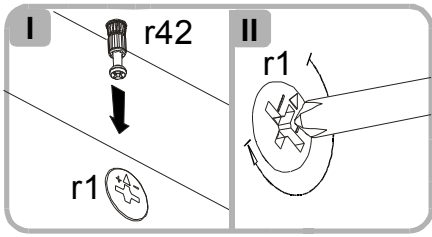
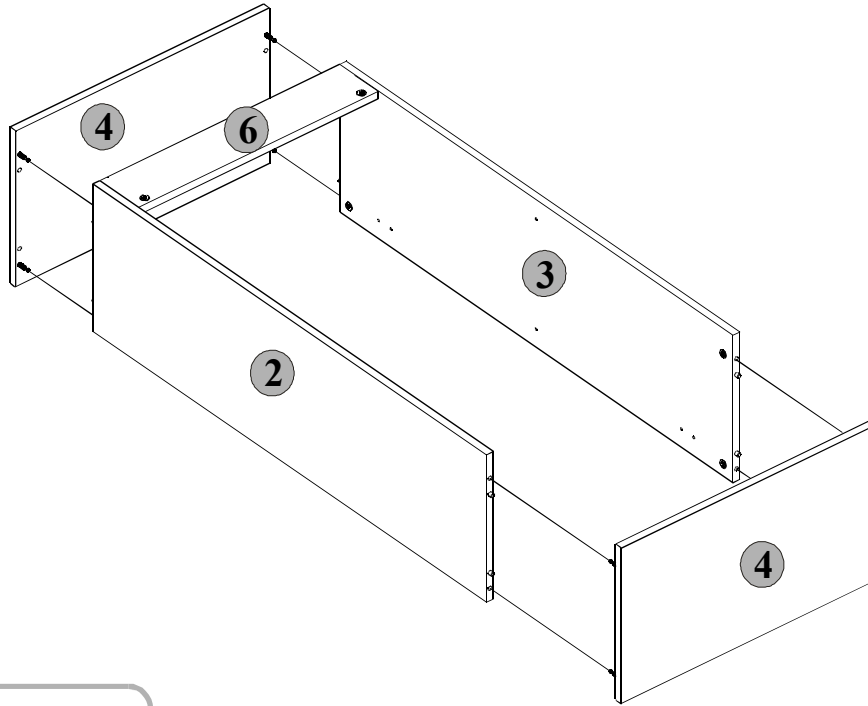


# 2

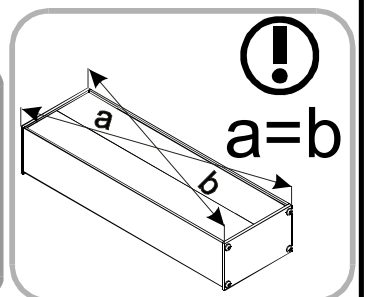
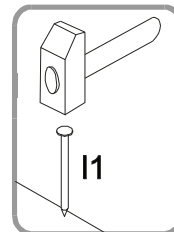
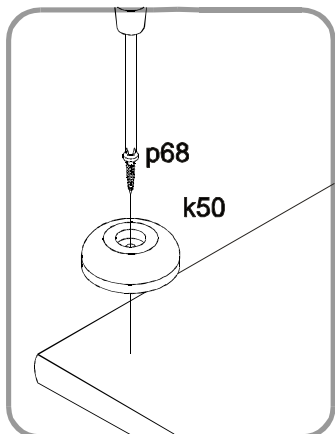
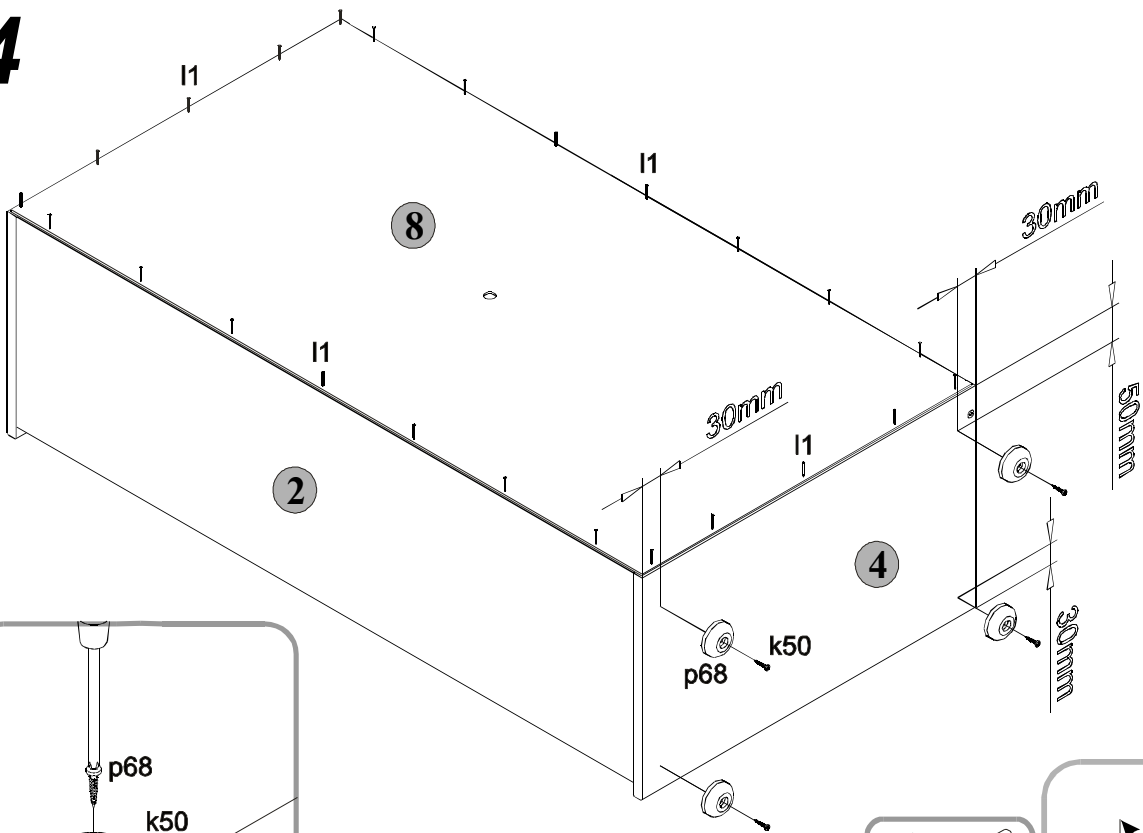




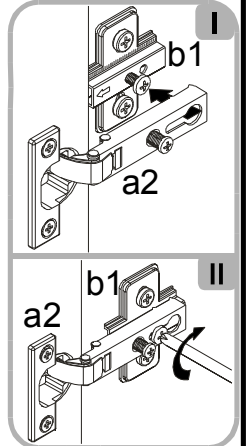
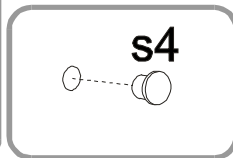
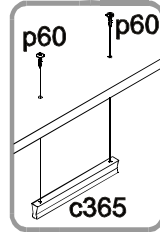
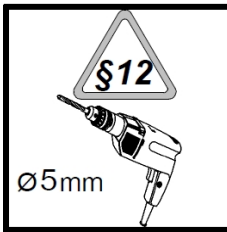
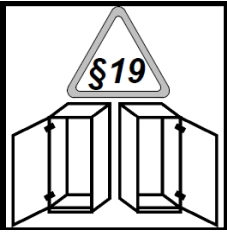
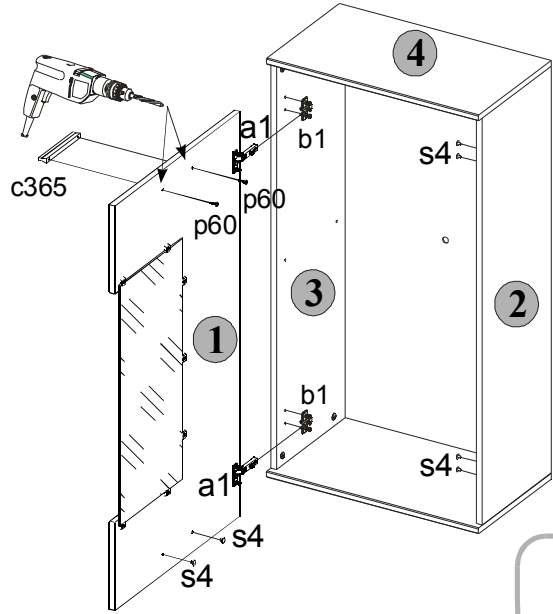
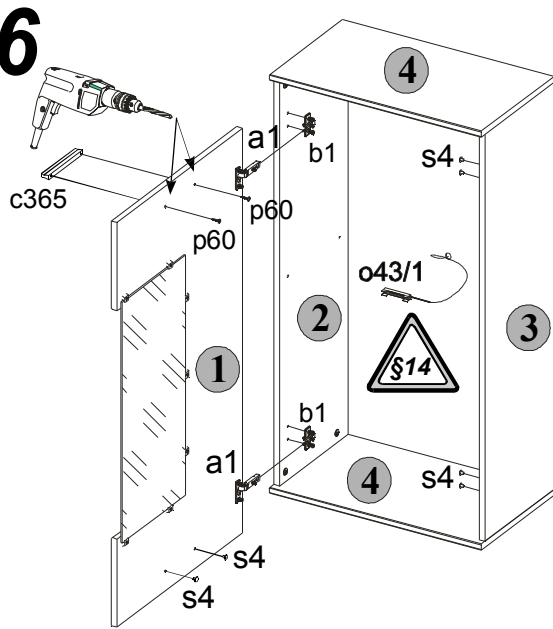
# 3



# 4



# 6



# 7

