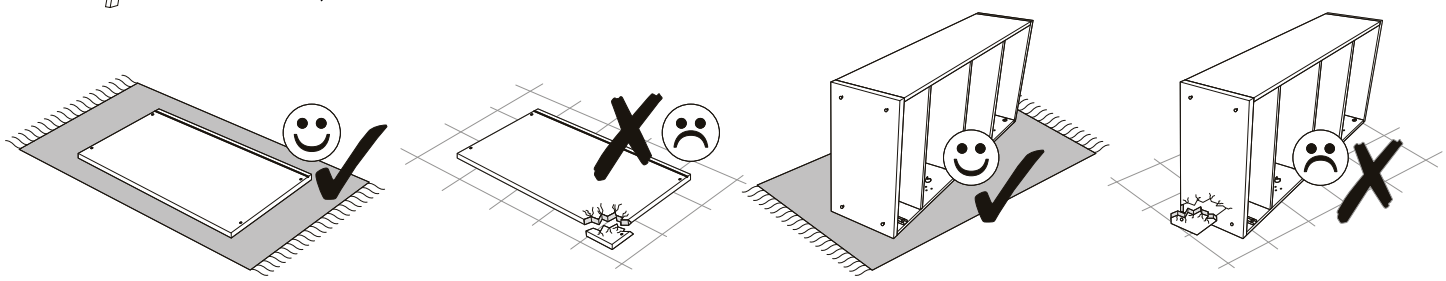
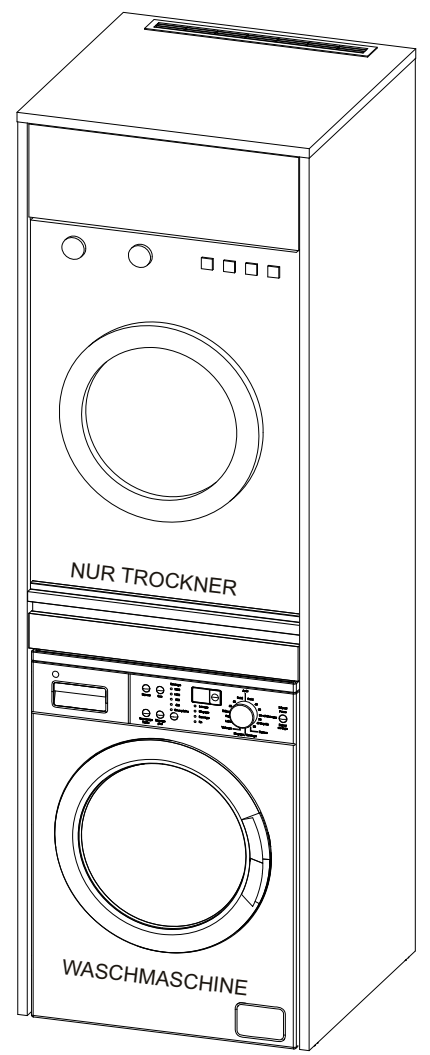
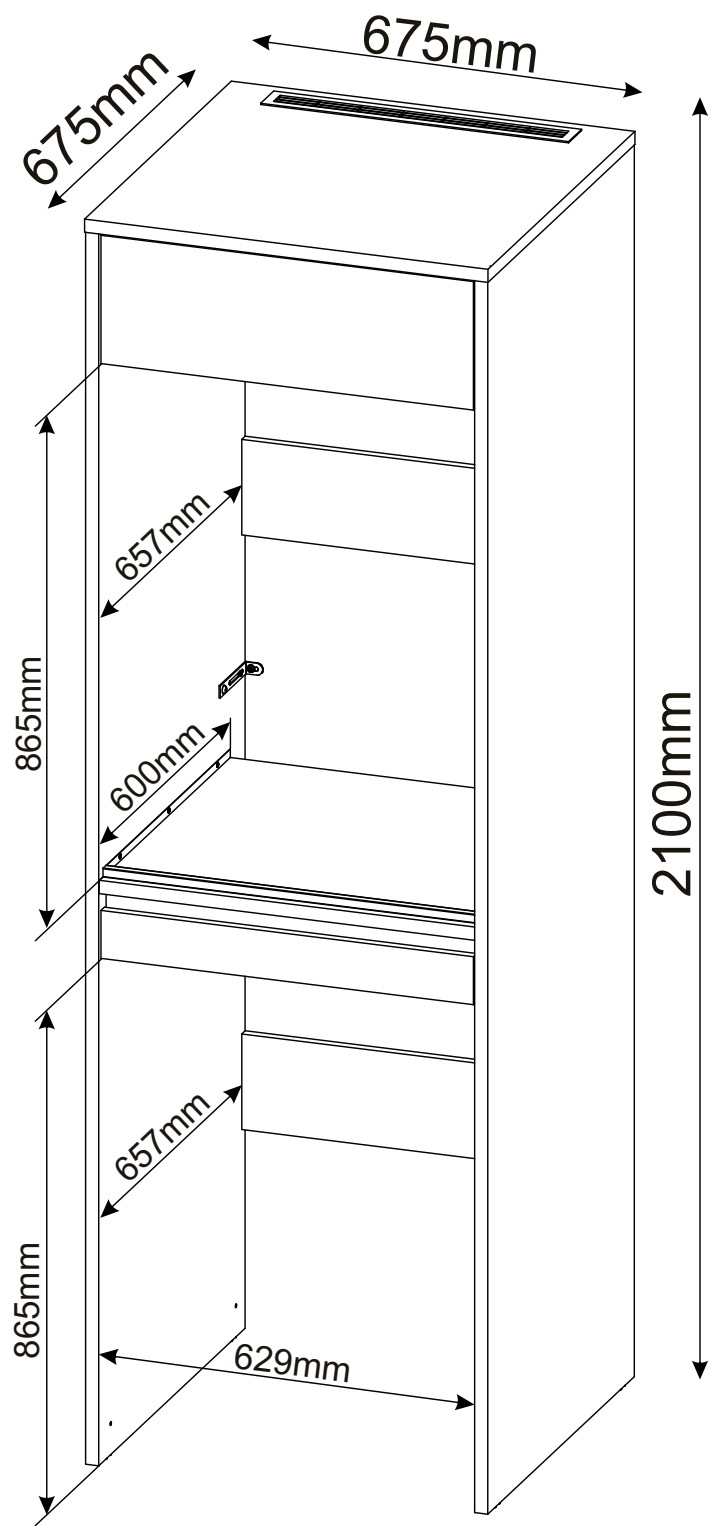
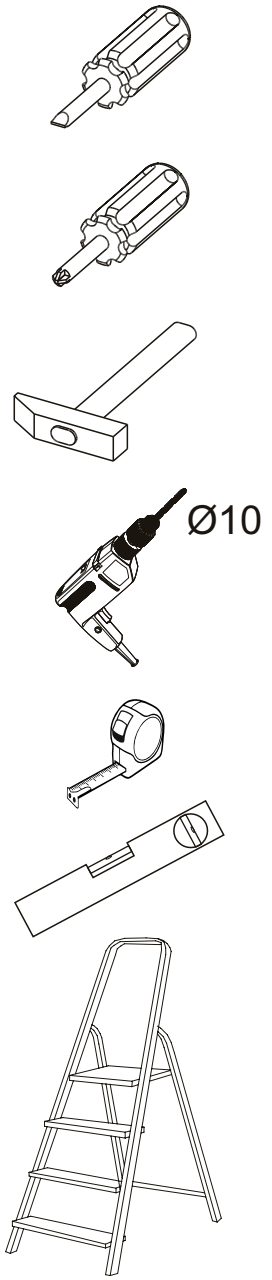
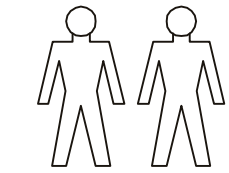
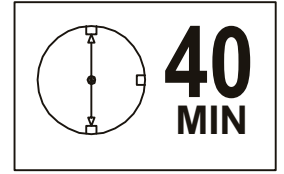

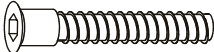



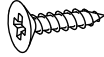


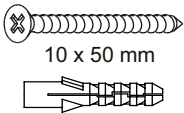
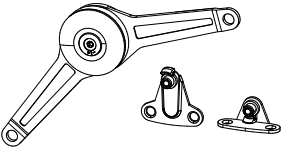


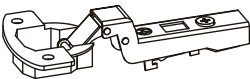

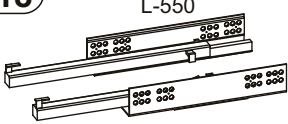
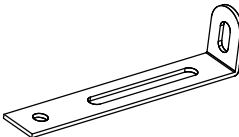
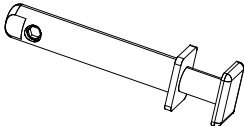

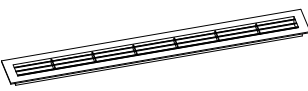
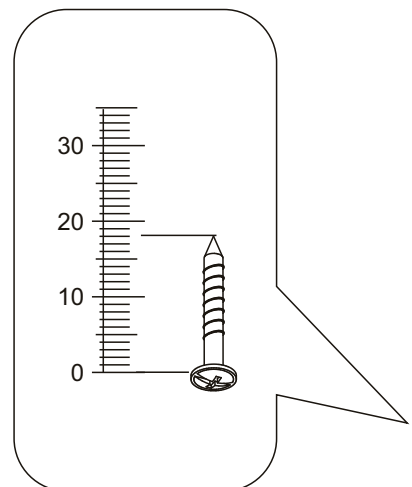
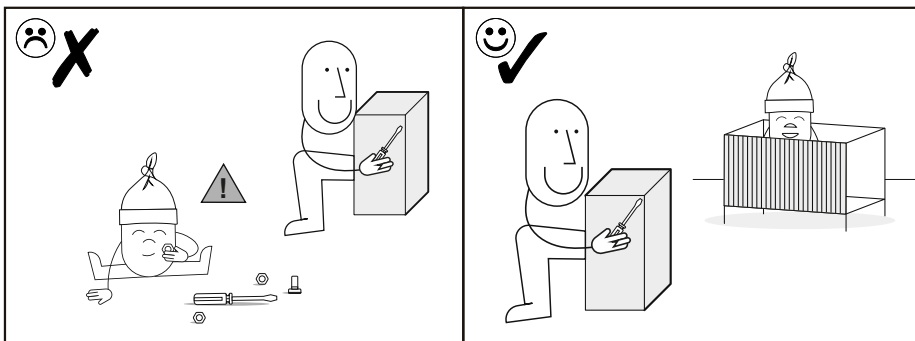
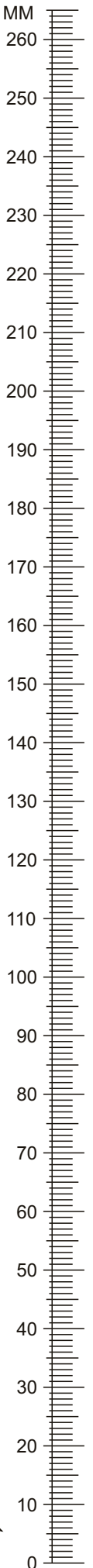


WASCHMASCHINENSCHRANK LIV, Typ 5


00030114/07
00030114/17
00030114/27

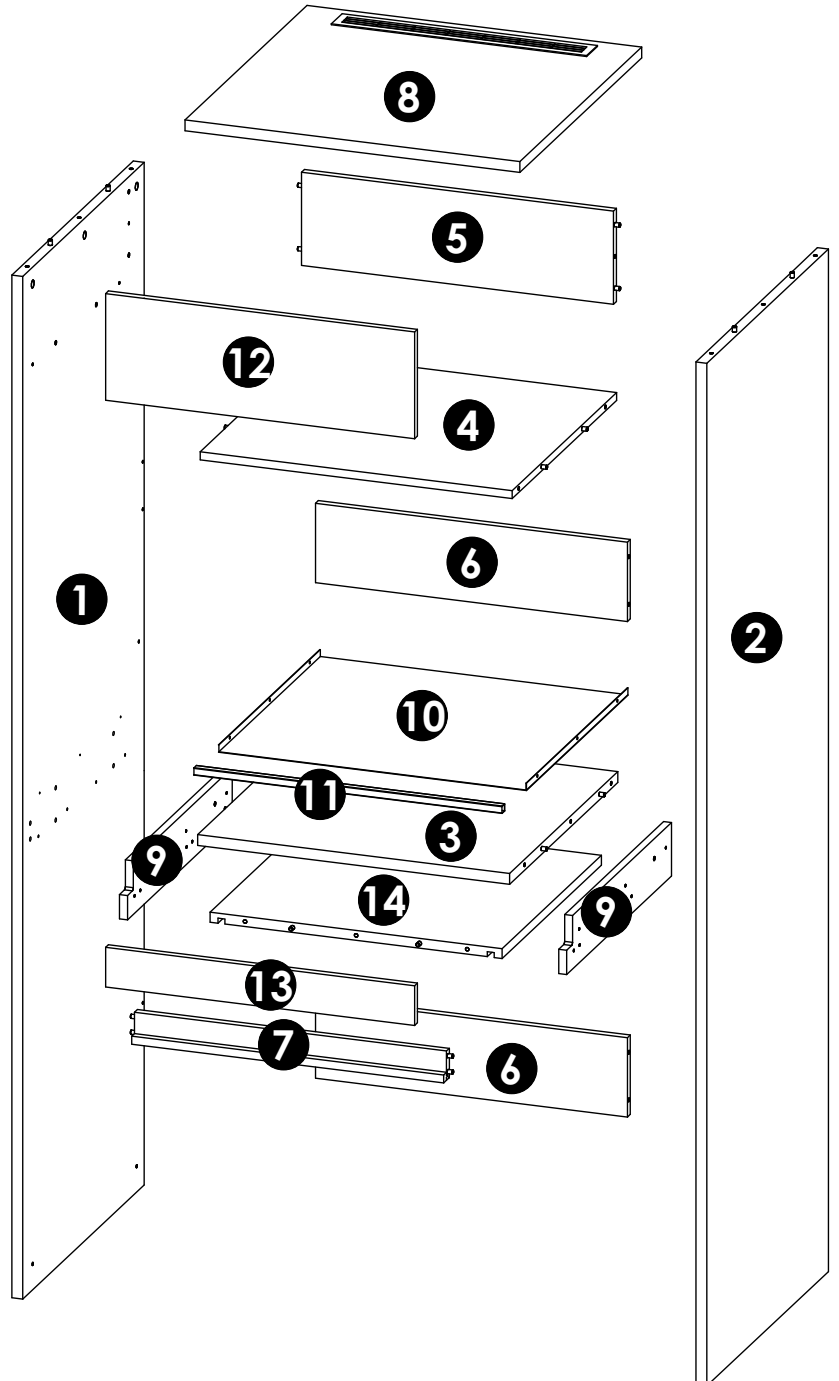
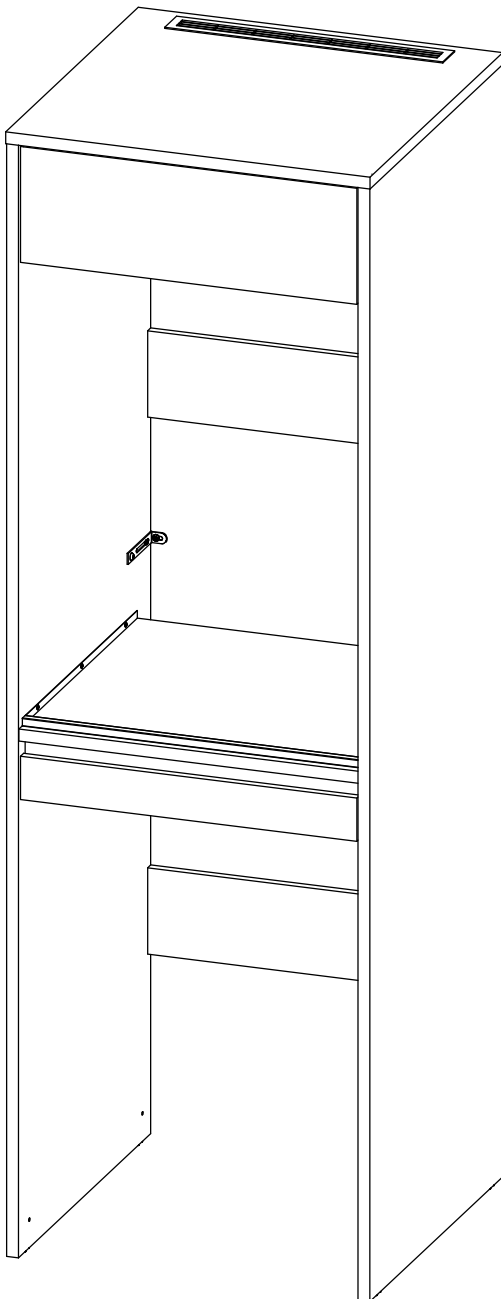


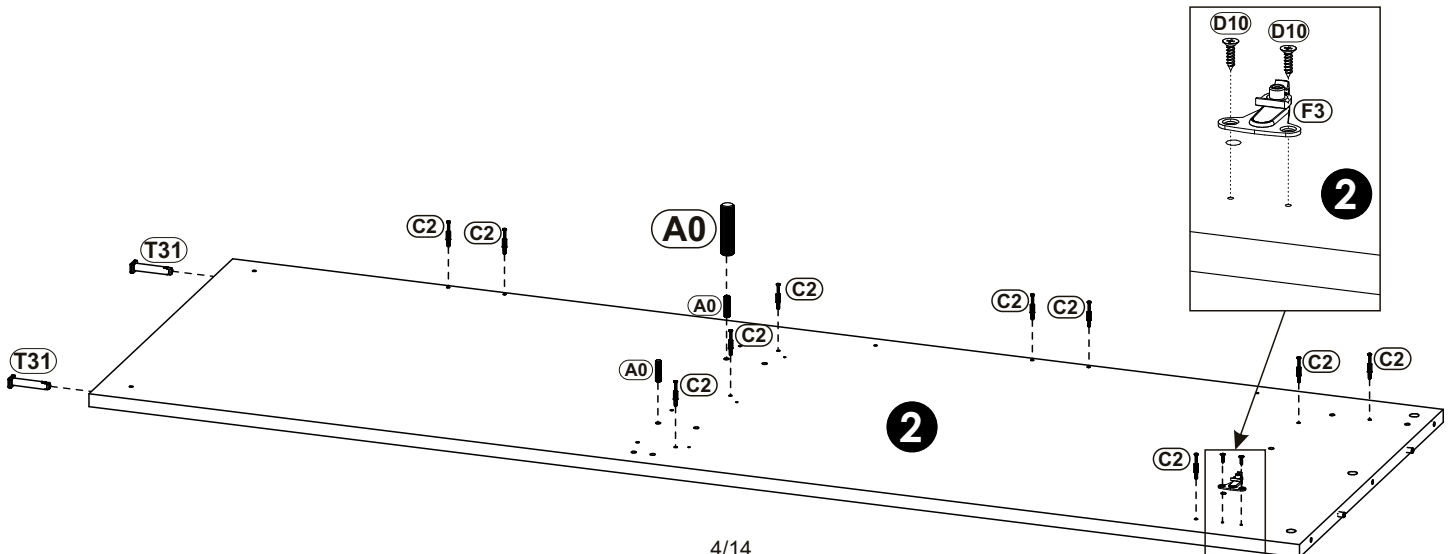
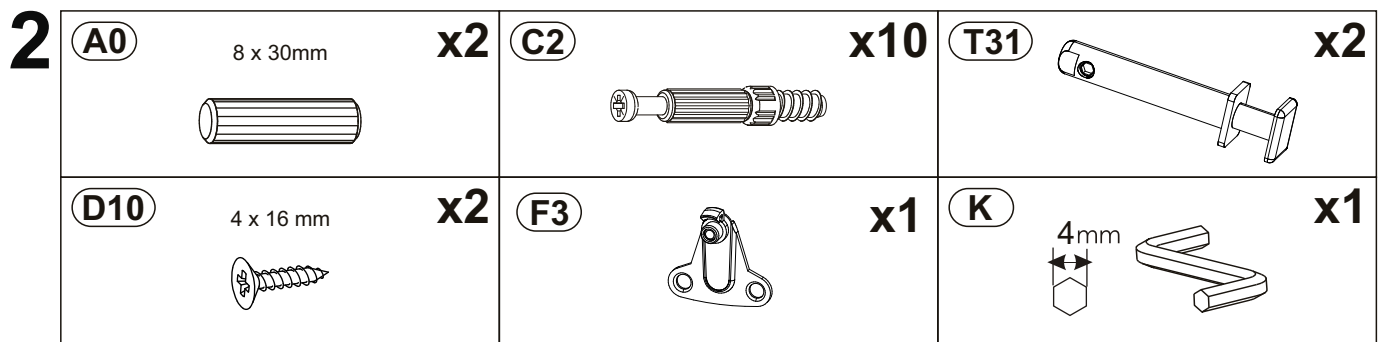
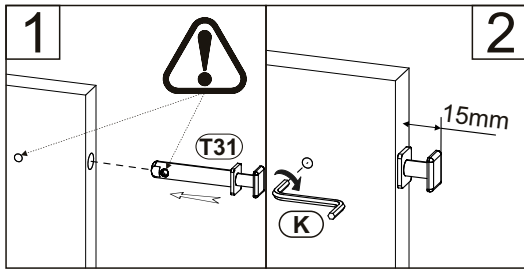
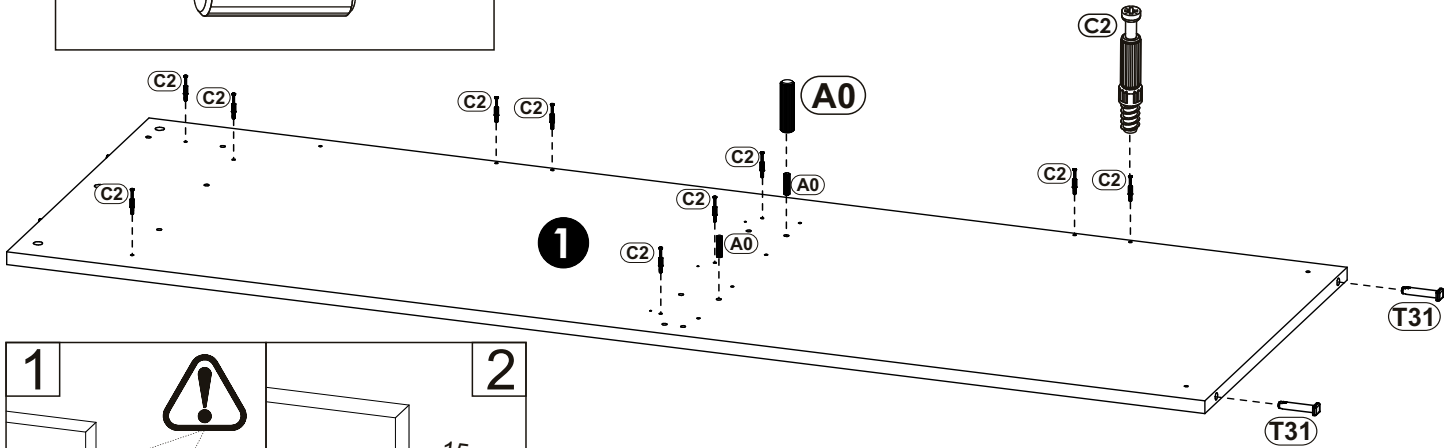
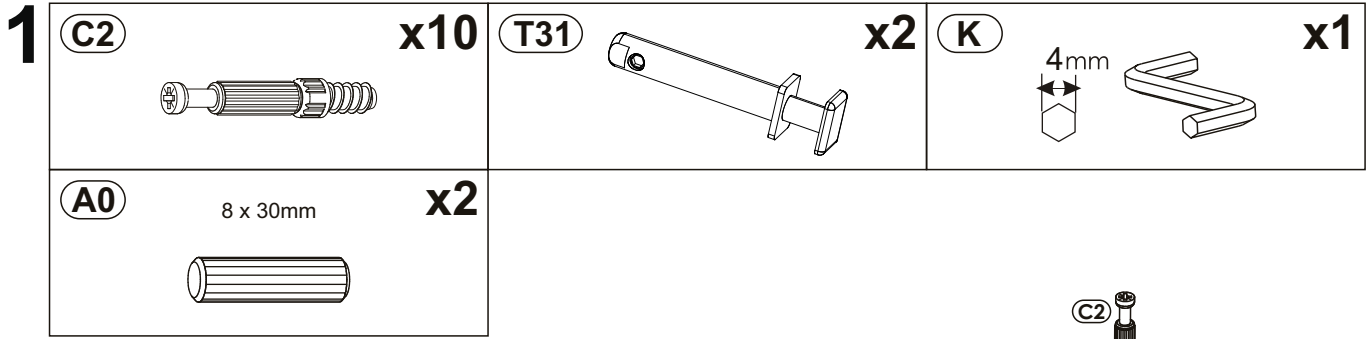
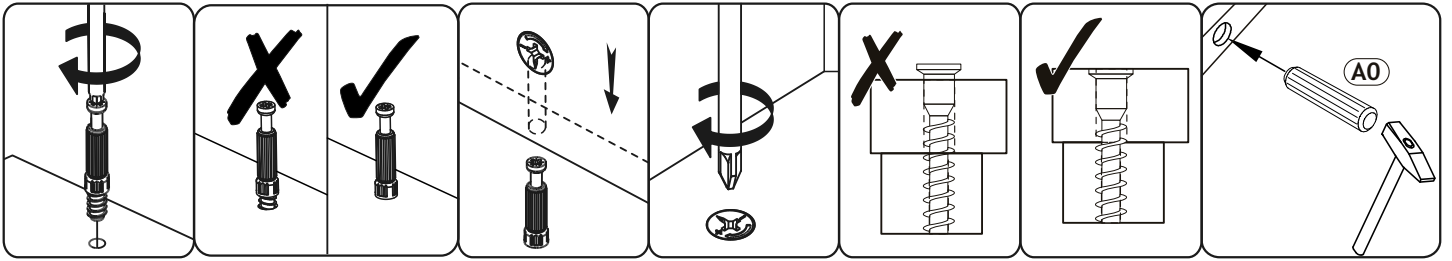
| | | | | | |
|---|------------|--|------------|---|------------|
| A0 8 x 30mm  | x4 | B6 7 x 38 mm  | x8 | C0  | x10 |
| C2  | x29 | D8 4.2 x 13 mm  | x10 | D10 4 x 16 mm  | x8 |
| D30 EURO 6,3 x 13 mm  | x4 | D31 6.3 x 13 mm  | x8 | E3 6 x 60 mm 10 x 50 mm  | x4 |
| F3  | x1 | H9 4 x 30 mm  | x2 | J3  | x2 |
| J18  | x2 | K 4mm  | x1 | N18 L-550  | x1 |
| P2  | x4 | T31  | x4 | U11 Ø19  | x4 |
| W2 L-485  | x1 | | | | |



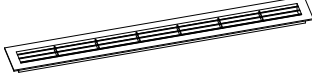


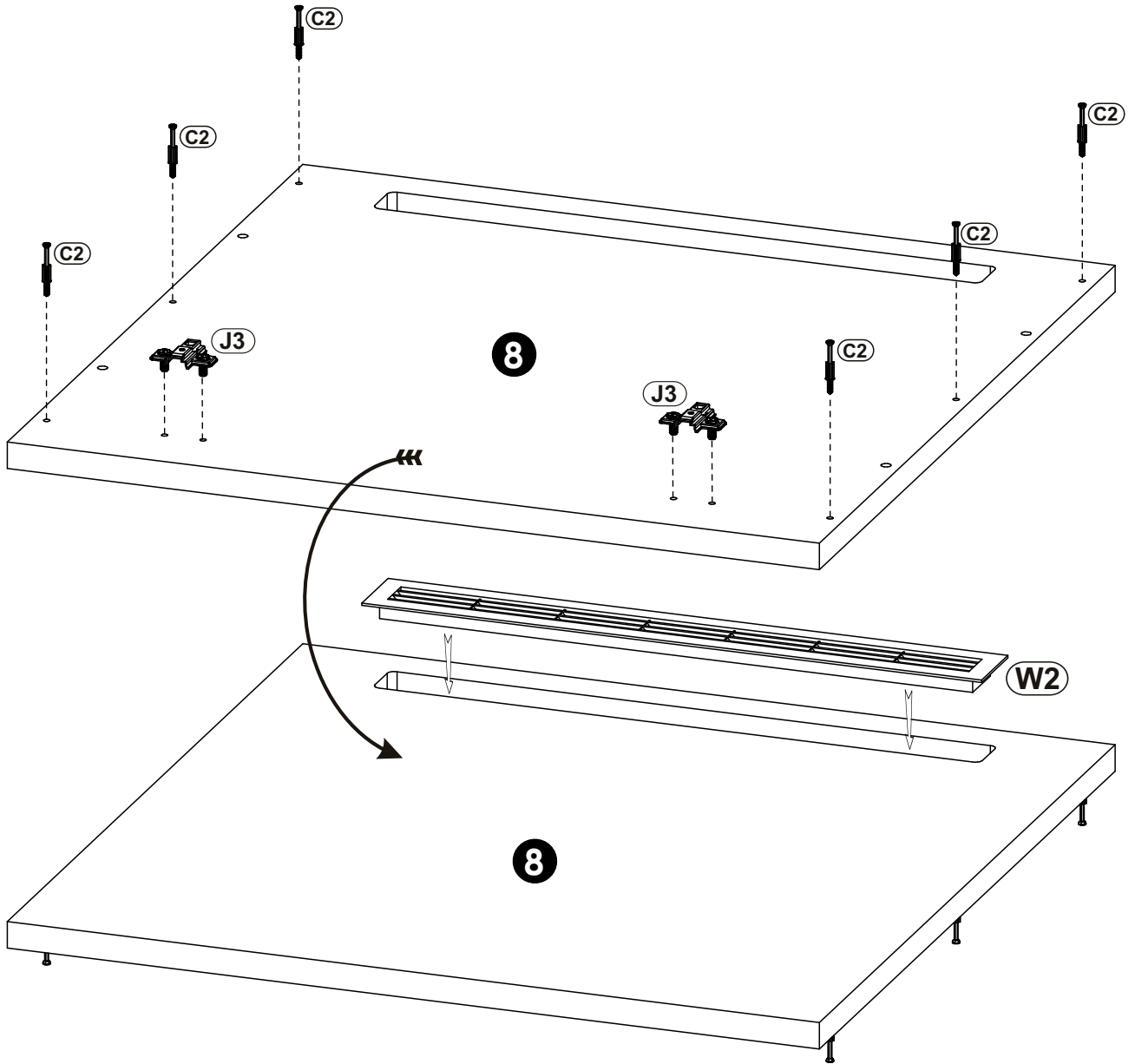
| | | | | | |
|----------|------|-----|----|----|-----|
| 1 | 2062 | 673 | 22 | x1 | 1/4 |
| 2 | 2062 | 673 | 22 | x1 | 2/4 |
| 3 | 629 | 600 | 22 | x1 | 3/4 |
| 4 | 629 | 579 | 16 | x1 | 1/4 |
| 5 | 629 | 188 | 16 | x1 | 1/4 |
| 6 | 629 | 160 | 16 | x2 | 1/4 |
| 7 | 629 | 59 | 32 | x1 | 3/4 |


| | | | | | |
|---|-----|-----|----|----|-----|
| 8 | 675 | 675 | 22 | x1 | 2/4 |
| 9 | 580 | 108 | 22 | x2 | 3/4 |
| 10 | 628 | 568 | 15 | x1 | 3/4 |
| 11 | 628 | 15 | 15 | x1 | 3/4 |
| 12 | 623 | 215 | 16 | x1 | 1/4 |
| 13 | 623 | 80 | 16 | x1 | 1/4 |
| 14 | 577 | 550 | 22 | x1 | 2/4 |
|  | | | | | 4/4 |

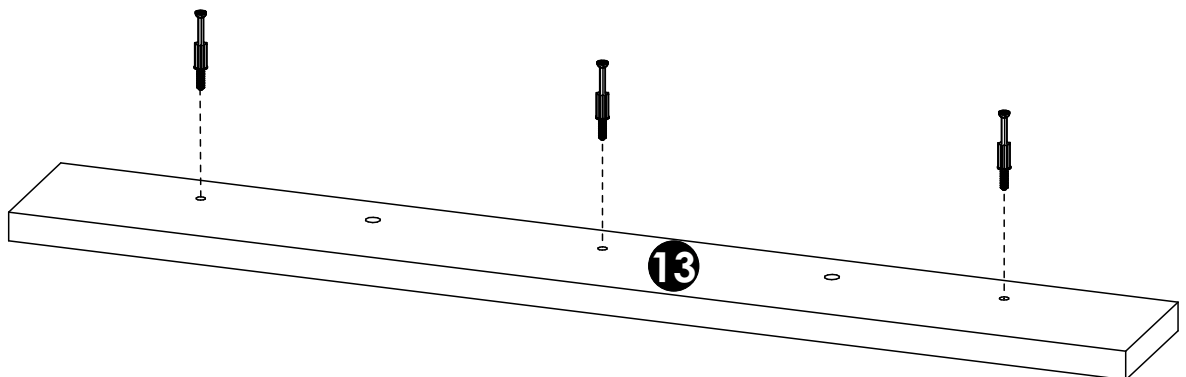


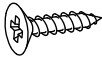

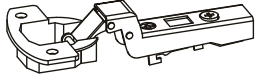


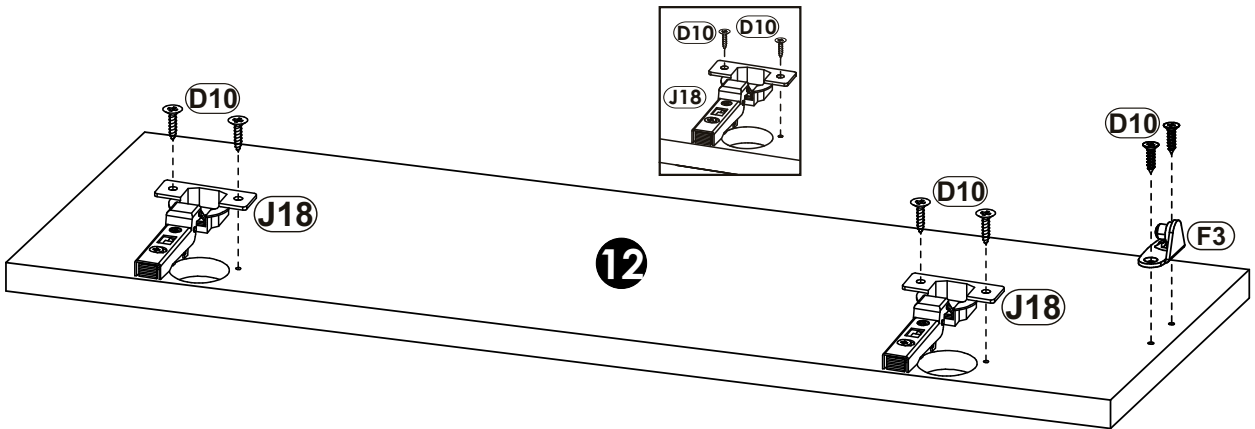
| | | | |
|----------|---|---|--|
| 3 | C2  x6 | J3  x2 | W2 L-485  x1 |
|----------|---|---|--|


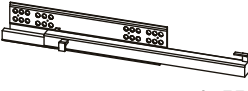
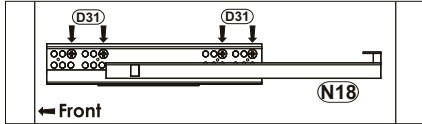


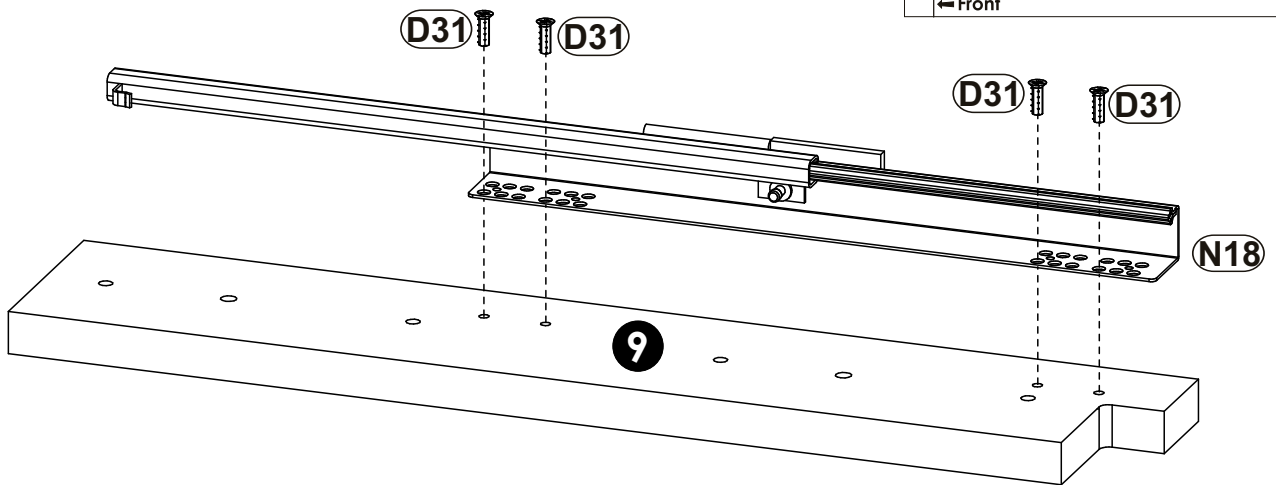
| | |
|----------|---|
| 4 | C2  x3 |
|----------|---|


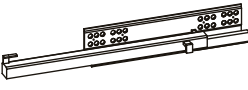
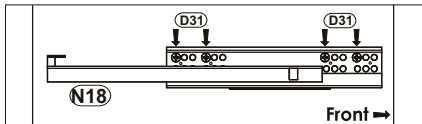


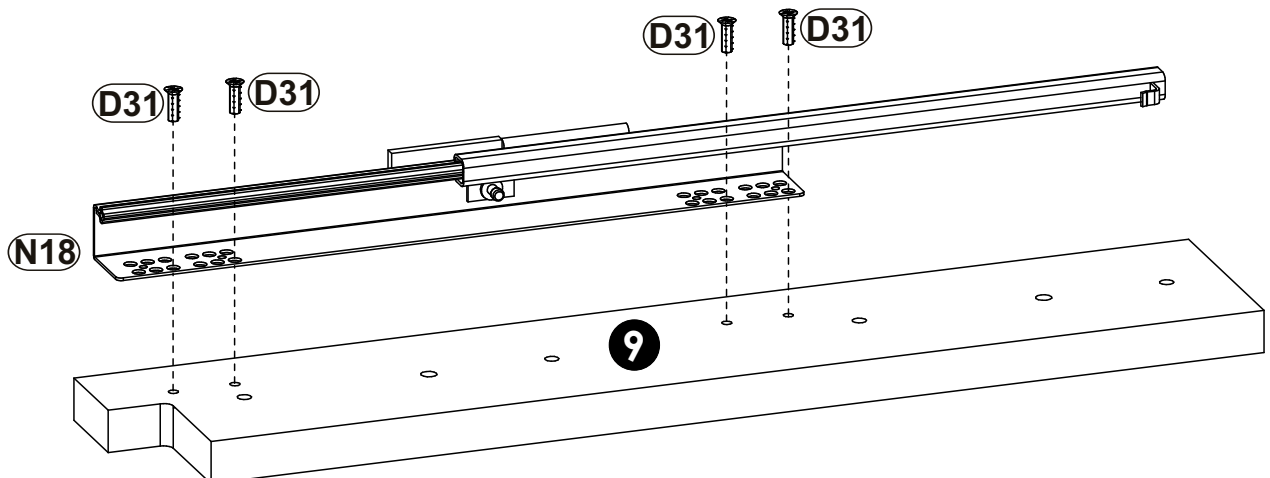
| | | | | | | | |
|----------|---|-----------|-----------|---|-----------|---|-----------|
| 5 | D10 | 4 x 16 mm | x6 | F3 | x1 | J18 | x2 |
| |  | | |  | |  | |

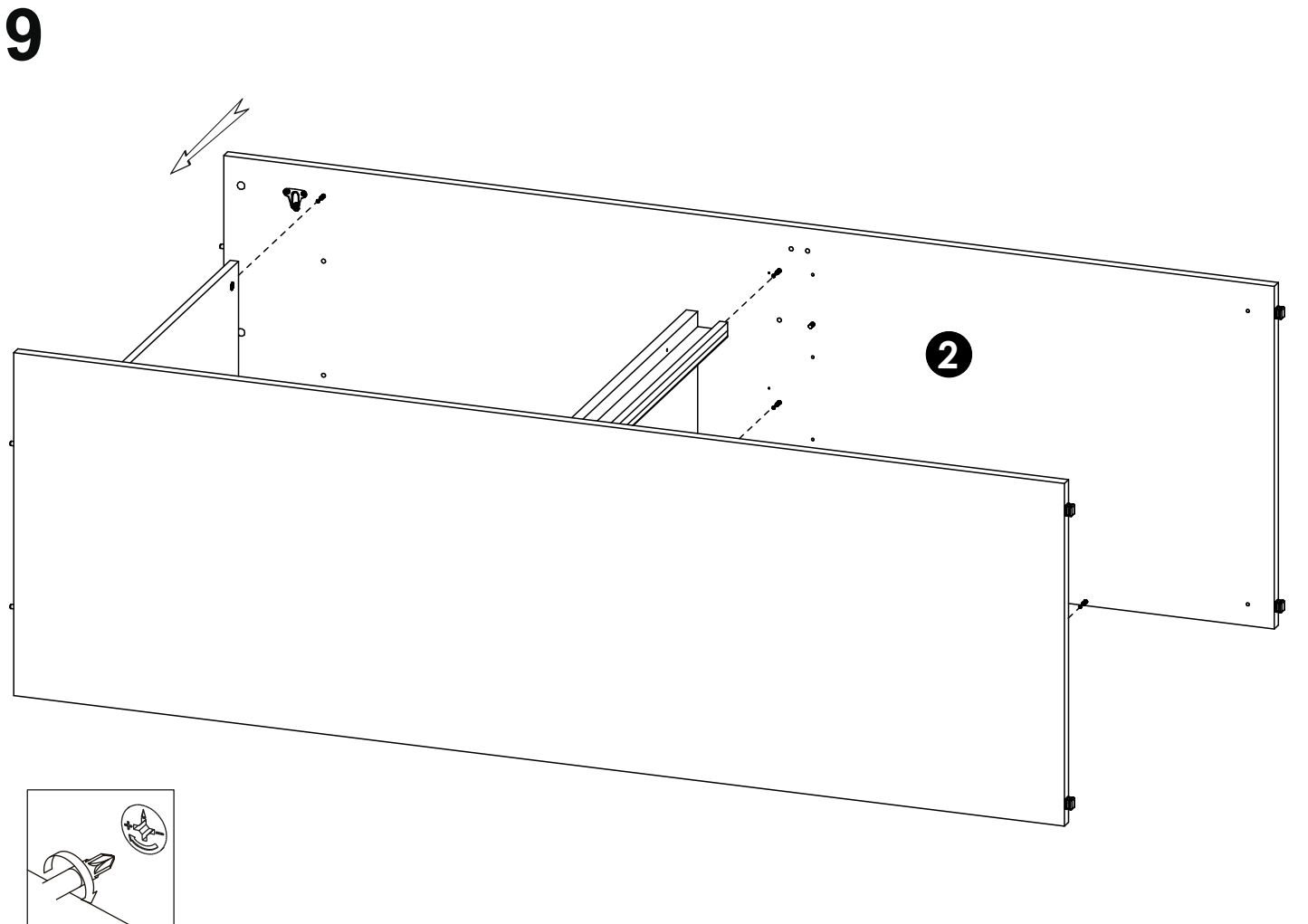
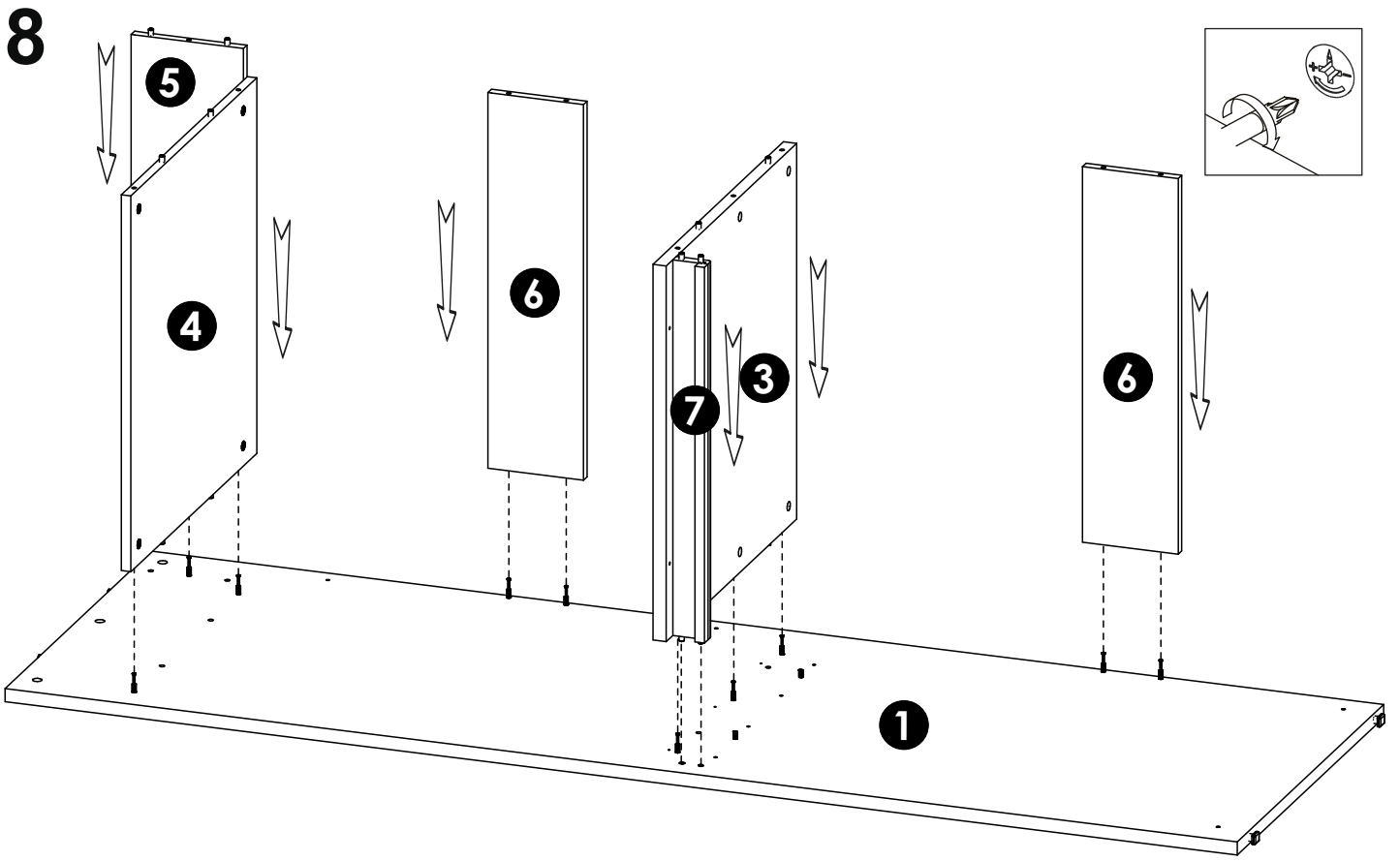


| | | | | | | |
|----------|---|-------------|-----------|--|-----------|---|
| 6 | D31 | 6.3 x 13 mm | x4 | N18 | x1 | |
| |  | | |  L-550 | |  |

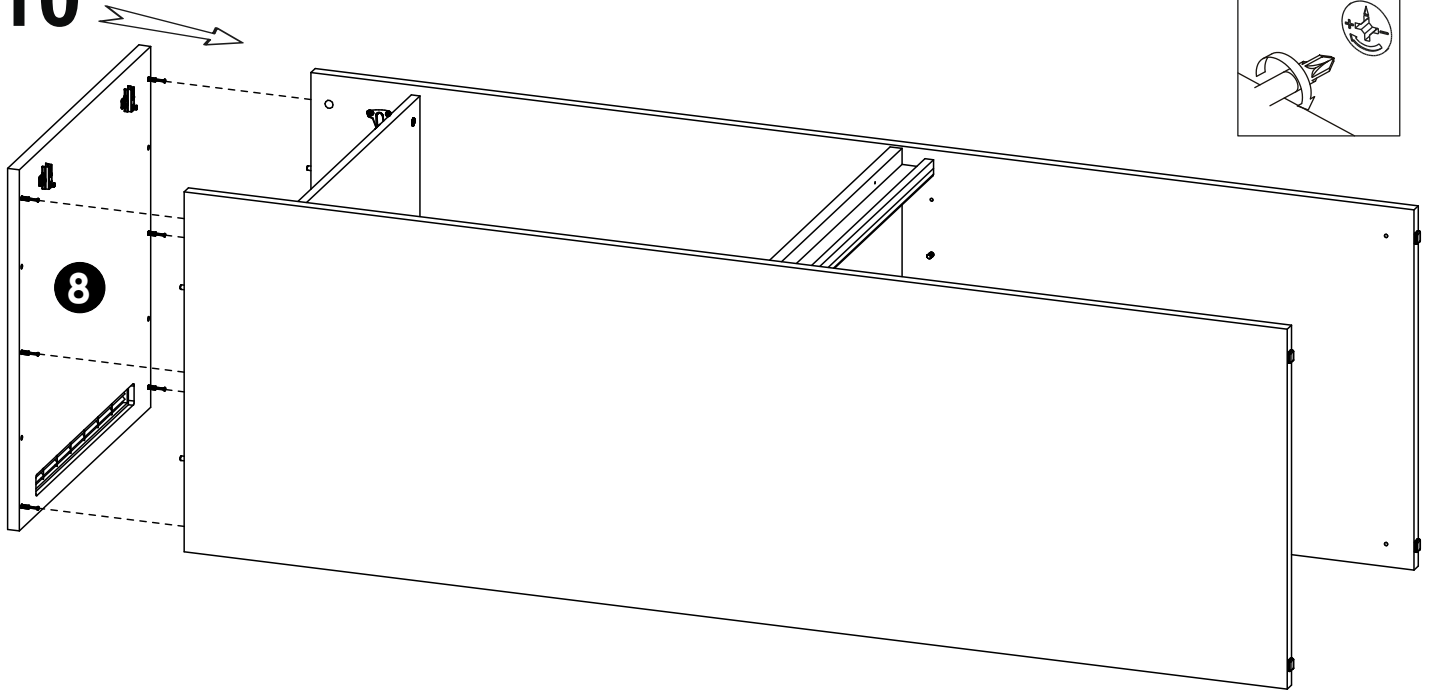


| | | | | | | |
|----------|---|-------------|-----------|--|-----------|---|
| 7 | D31 | 6.3 x 13 mm | x4 | N18 | x1 | |
| |  | | |  L-550 | |  |

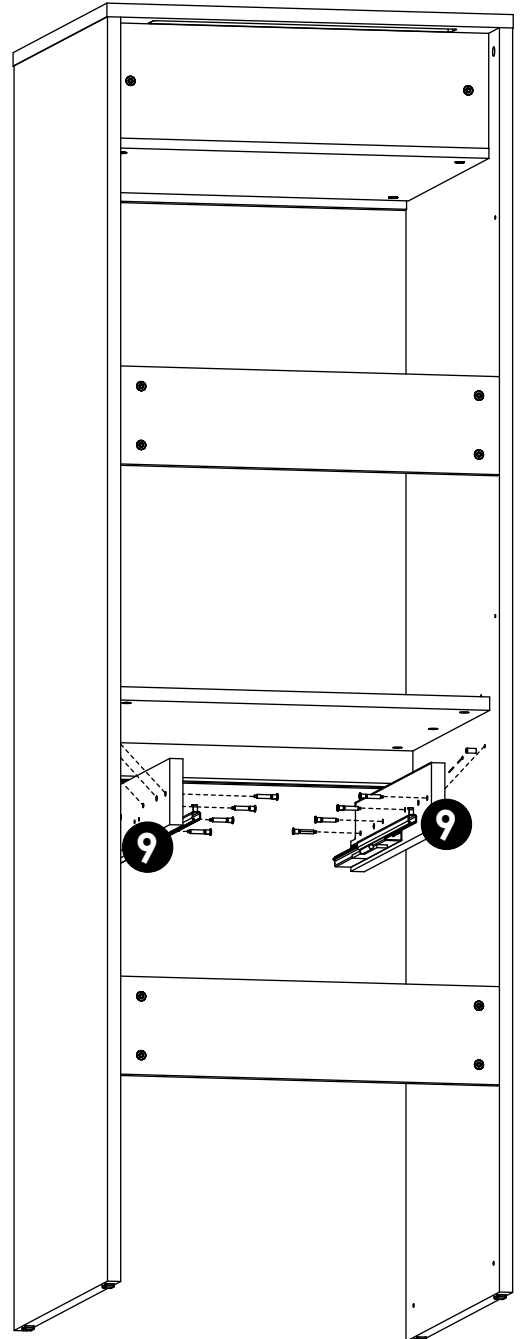
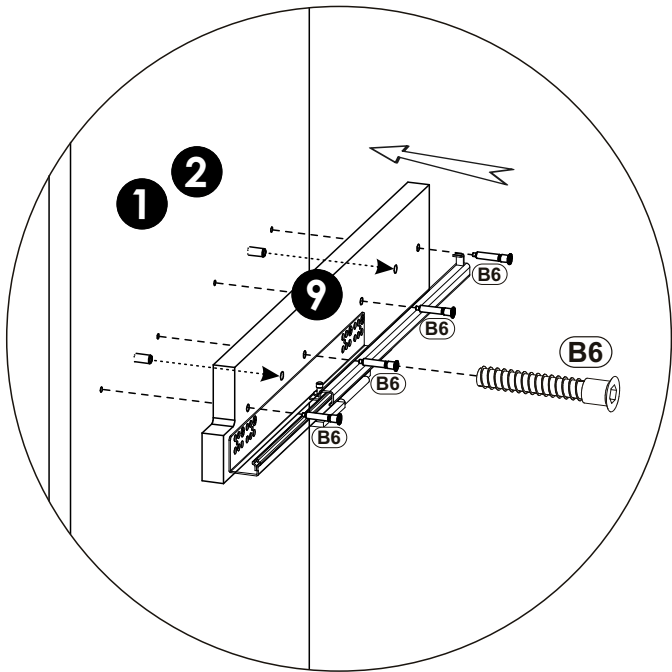
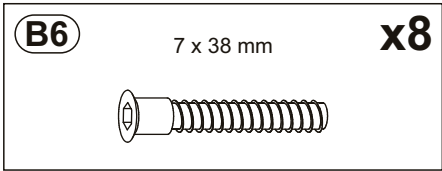




10



11

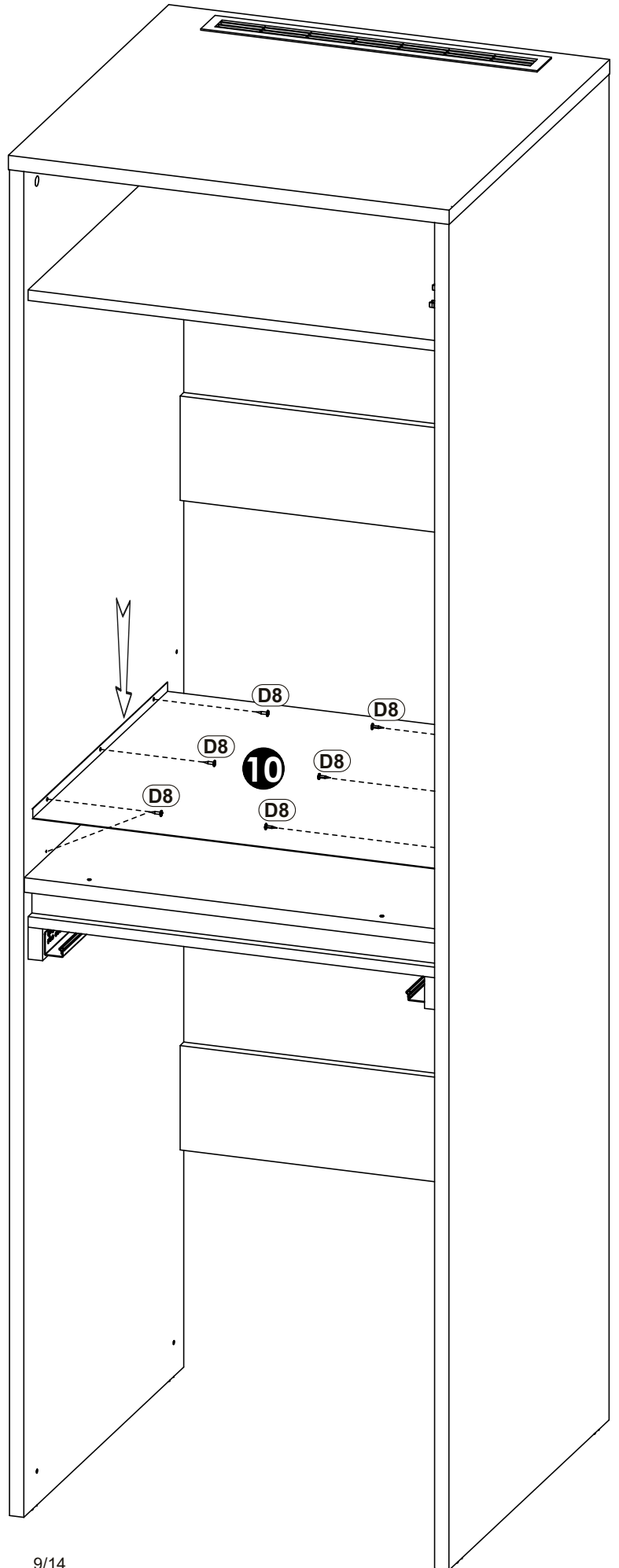
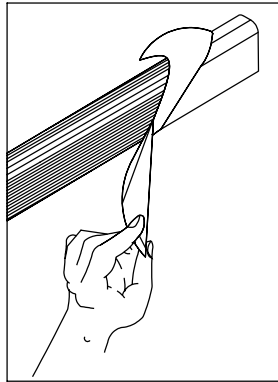


12

D8

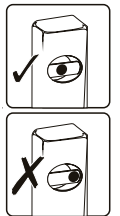
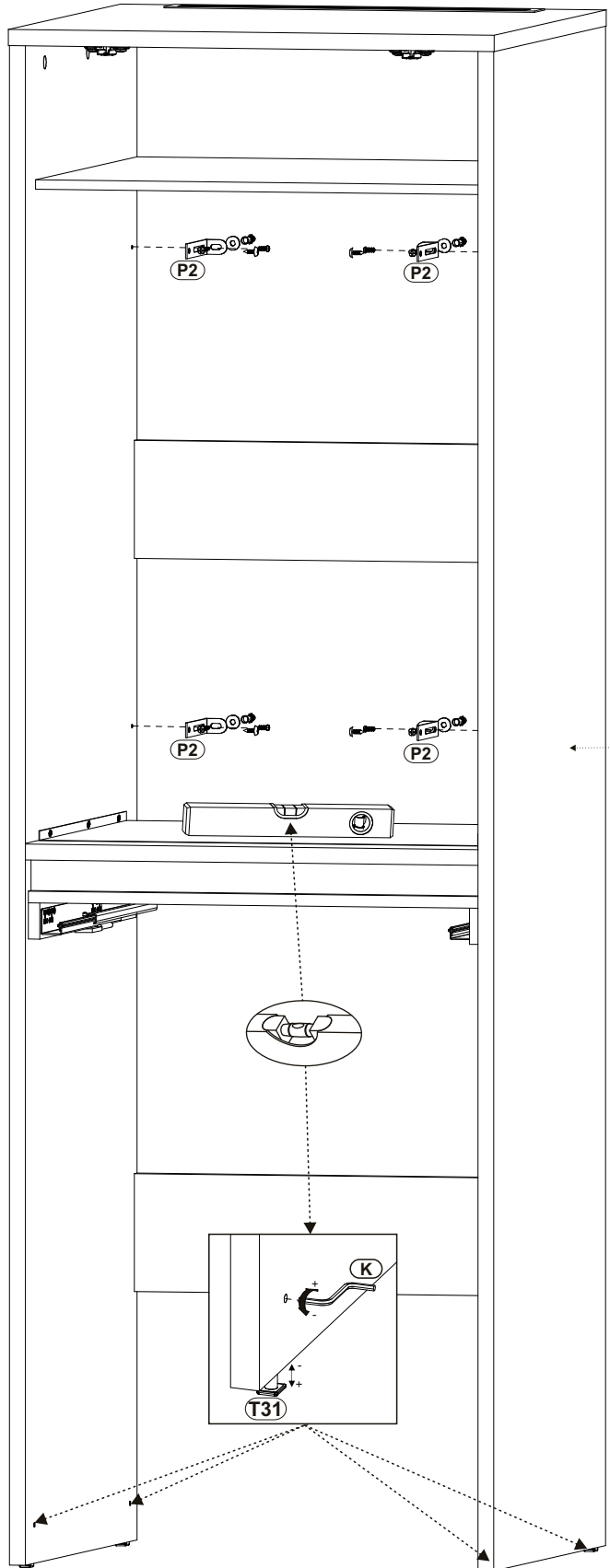
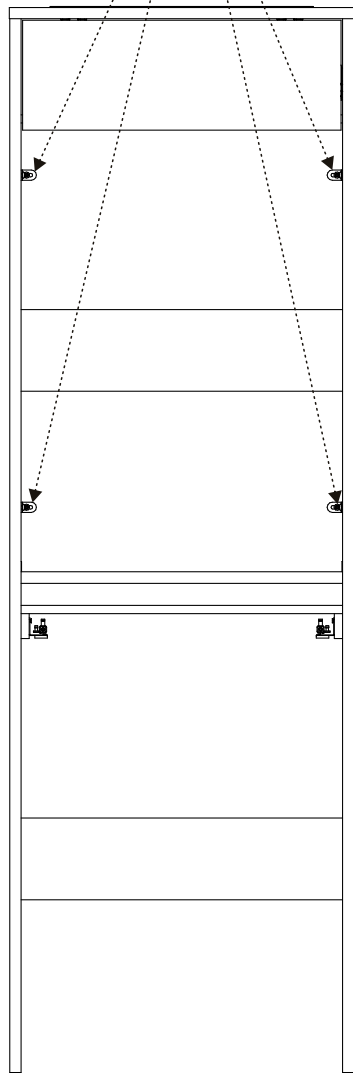
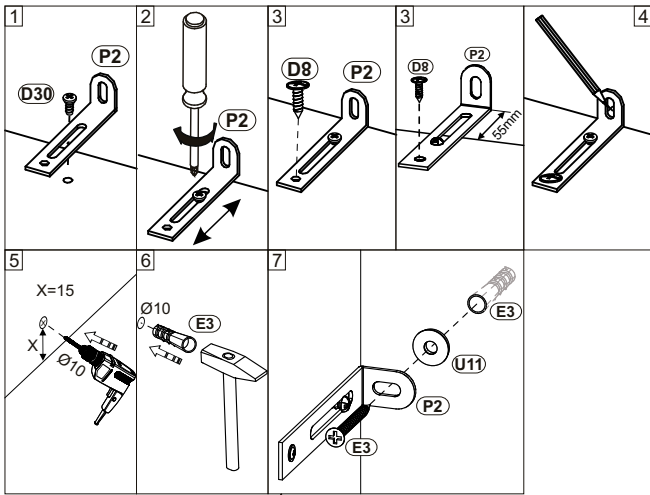
4.2 x 13 mm

x6

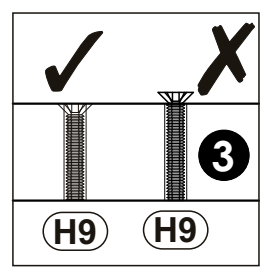
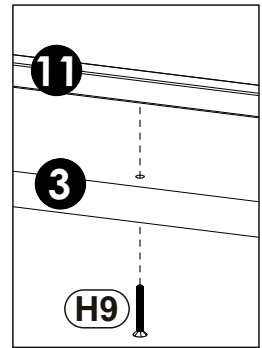
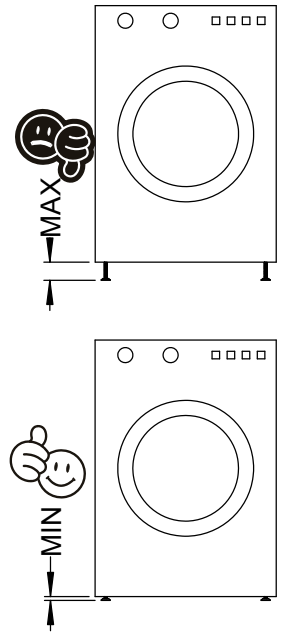
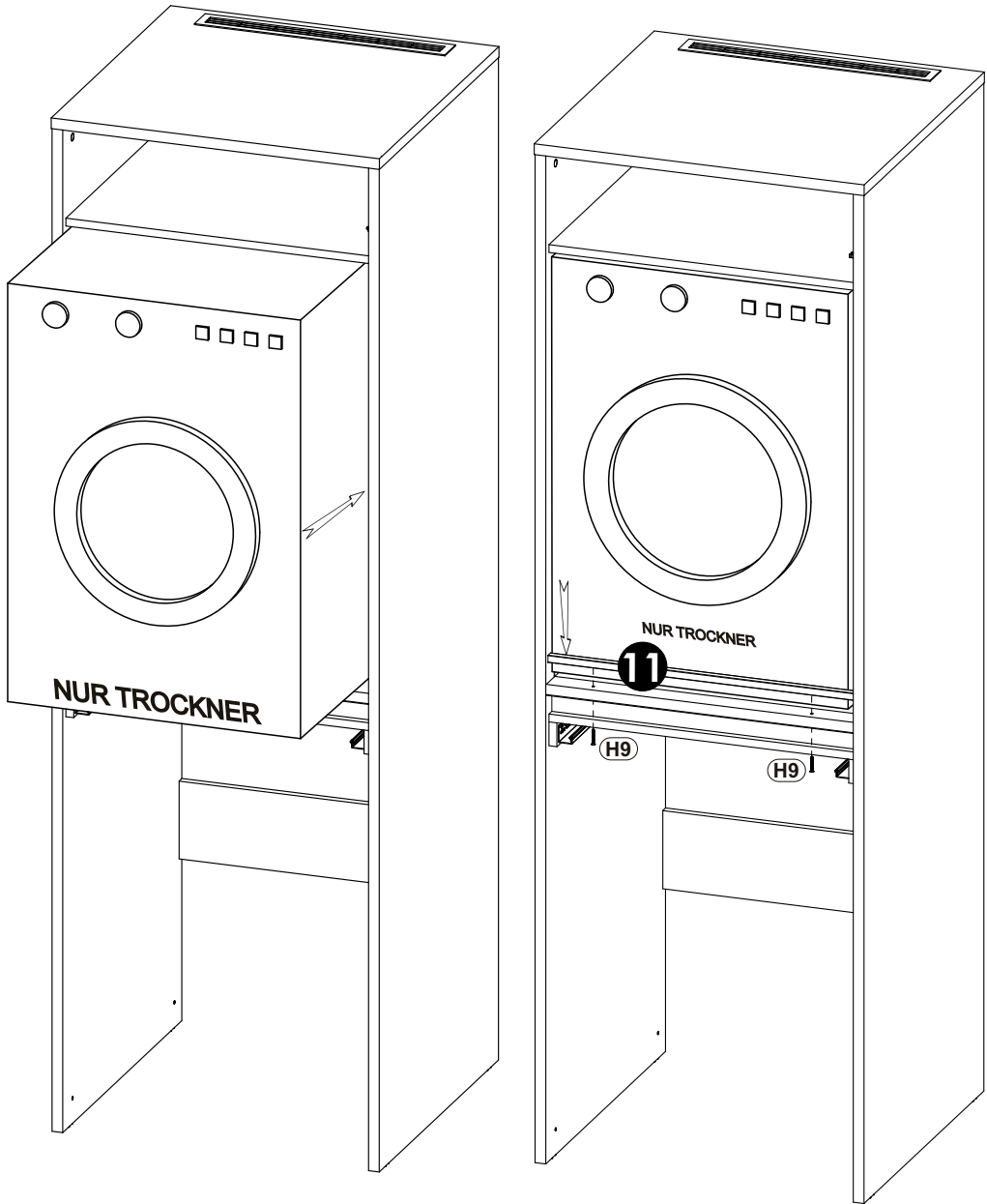
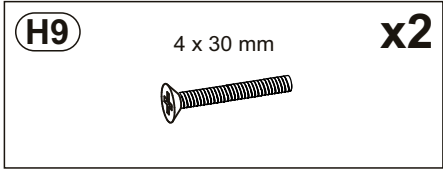


13

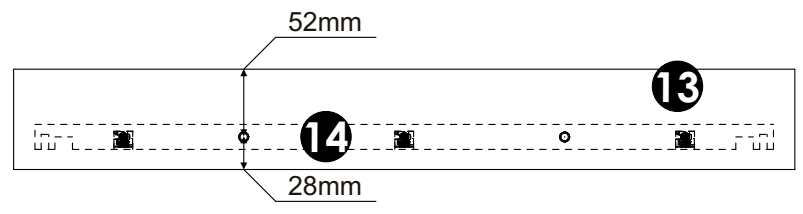
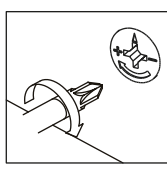
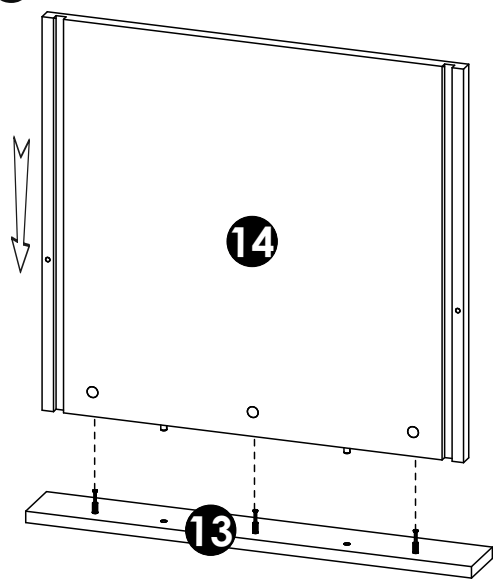
| | | | | | | | | |
|-----------|-------------|-----------|------------|------------------|-----------|------------|-------------------------|-----------|
| D8 | 4.2 x 13 mm | x4 | D30 | EURO 6,3 x 13 mm | x4 | E3 | 6 x 60 mm 10 x 50 mm | x4 |
| K | 4mm | x1 | P2 | | x4 | U11 | Ø19 | x4 |



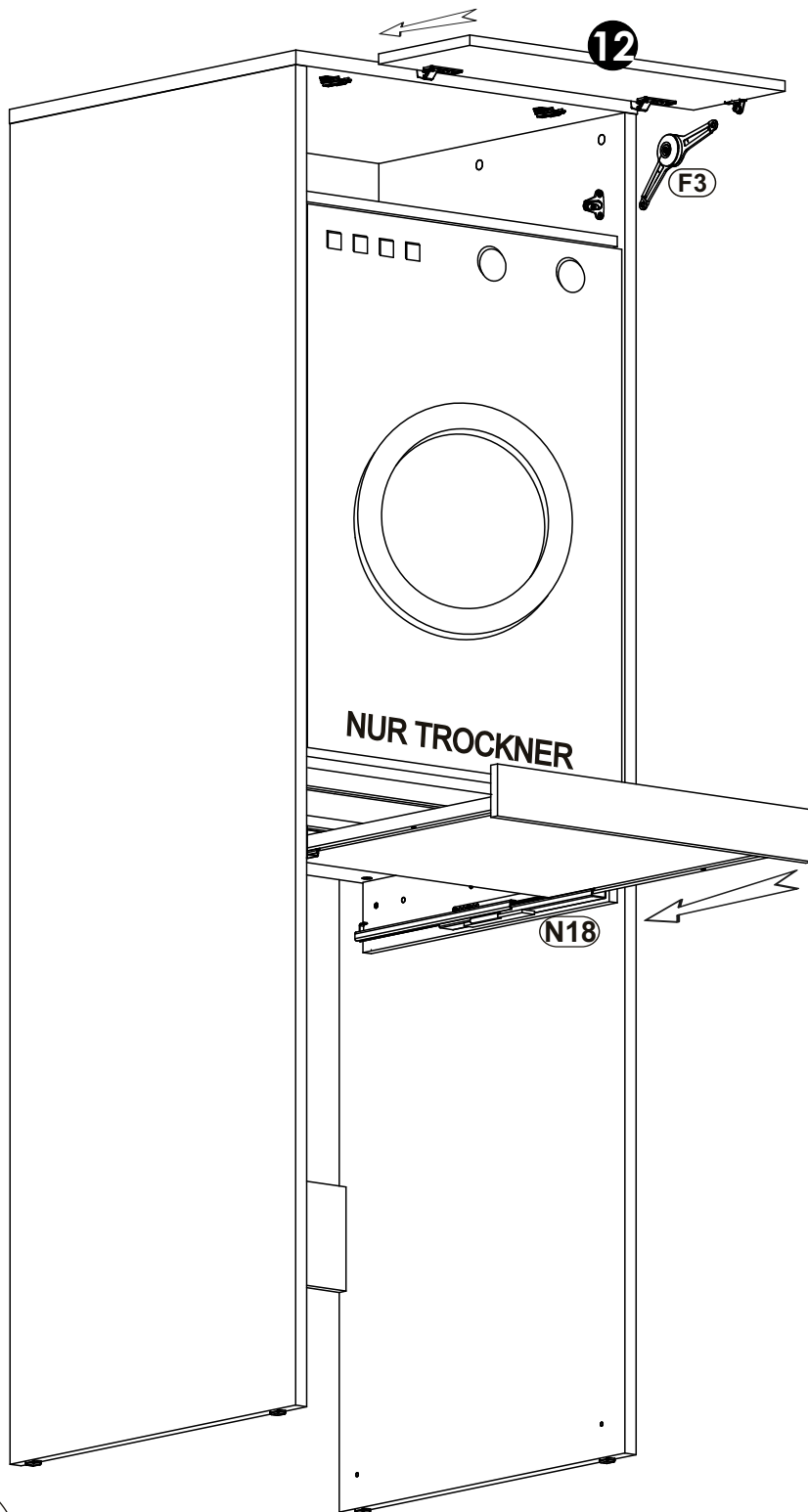
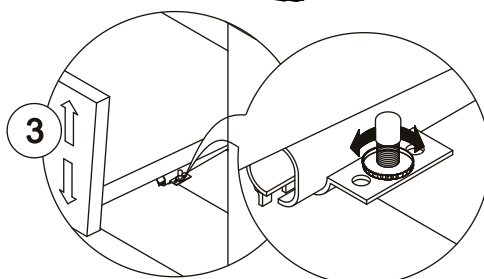
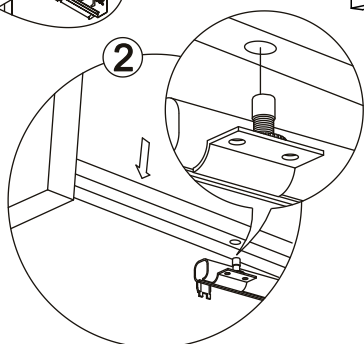
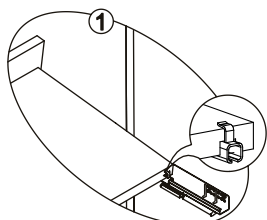
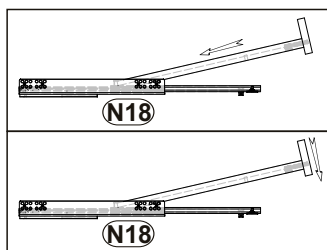
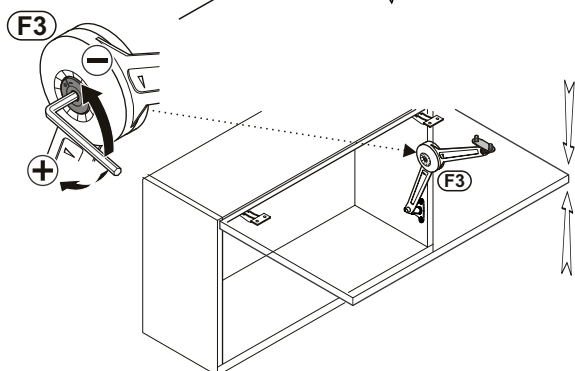
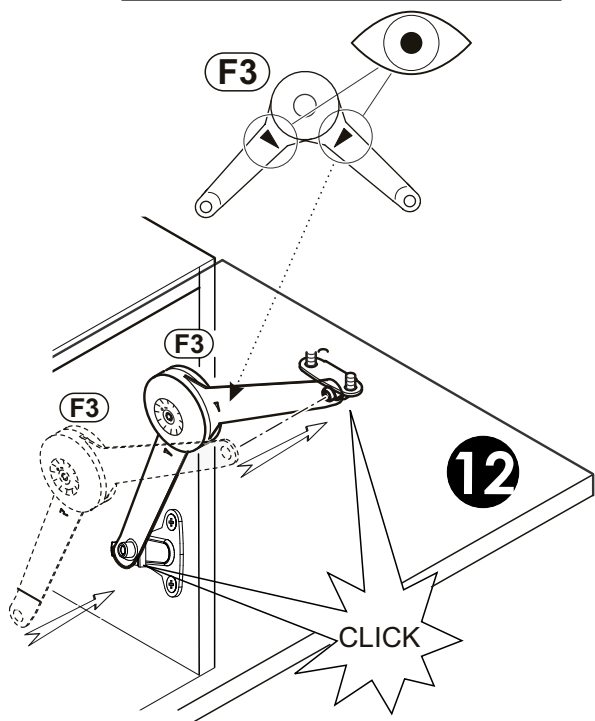
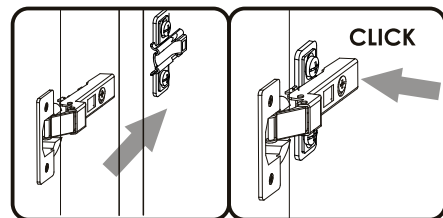
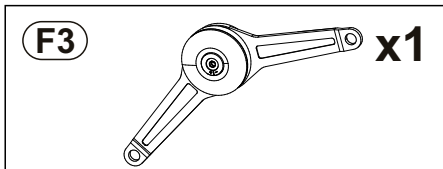
14



15



16



17

