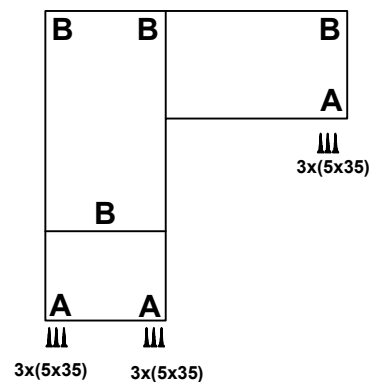
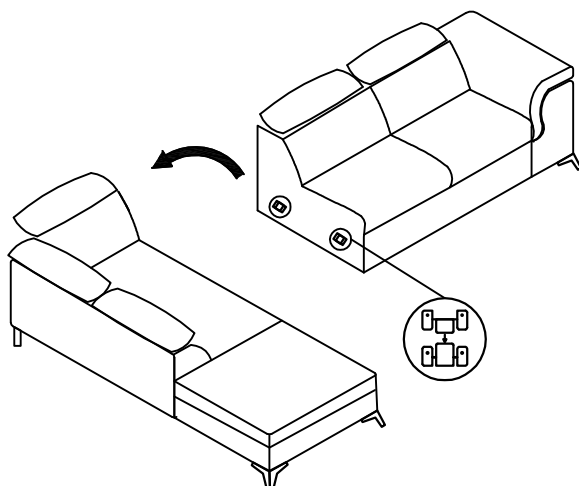
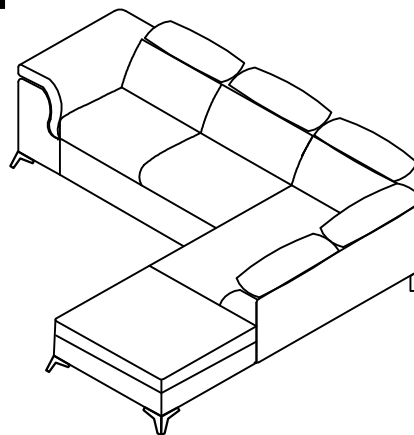
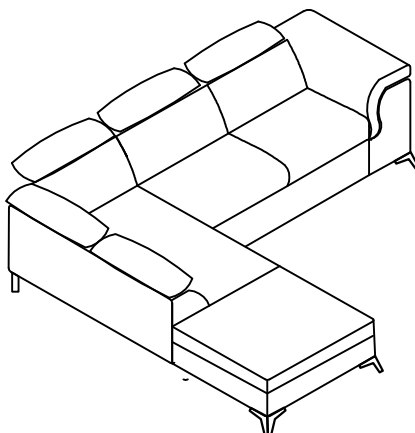


OTMBK-2F



A 3x 	B 4x 	 9x(5x35)
--------------------	--------------------	--------------

