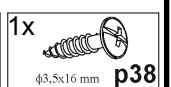
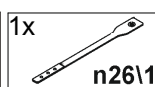
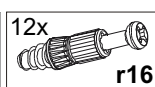
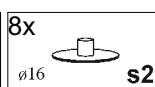
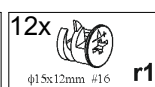
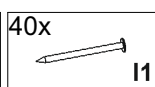
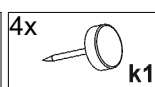
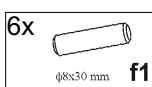
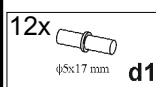
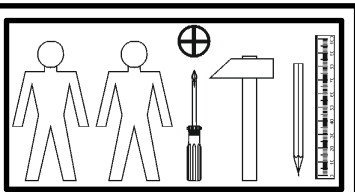
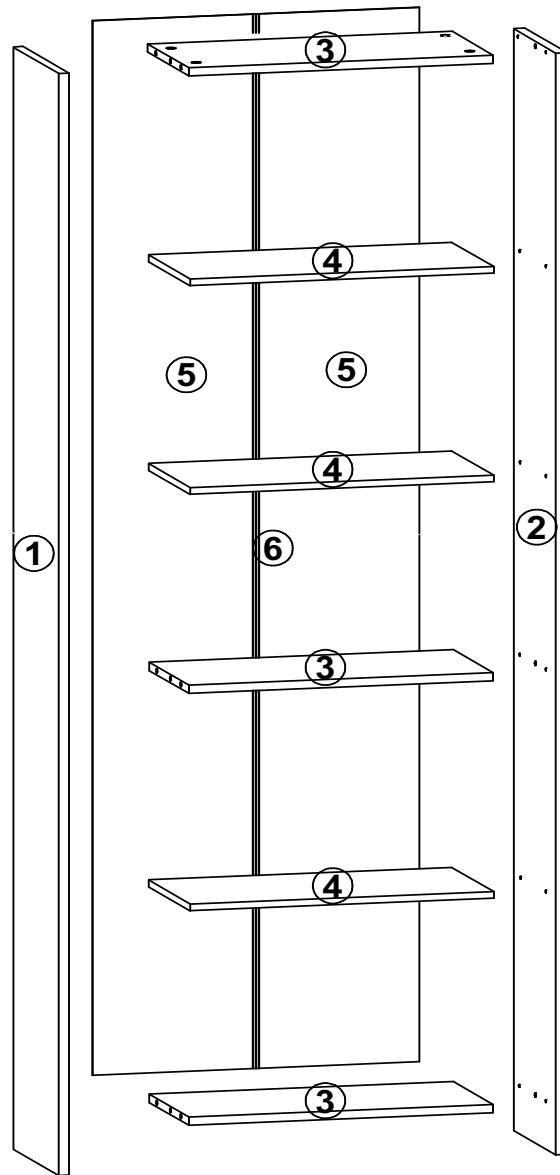
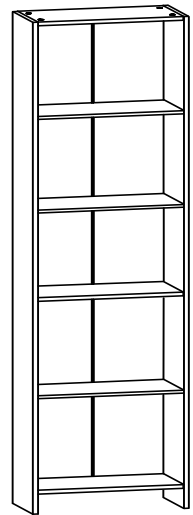


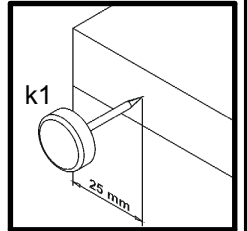
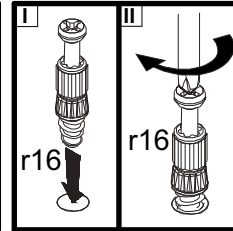
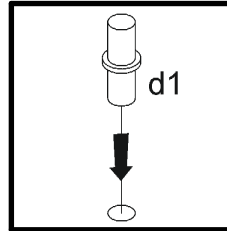
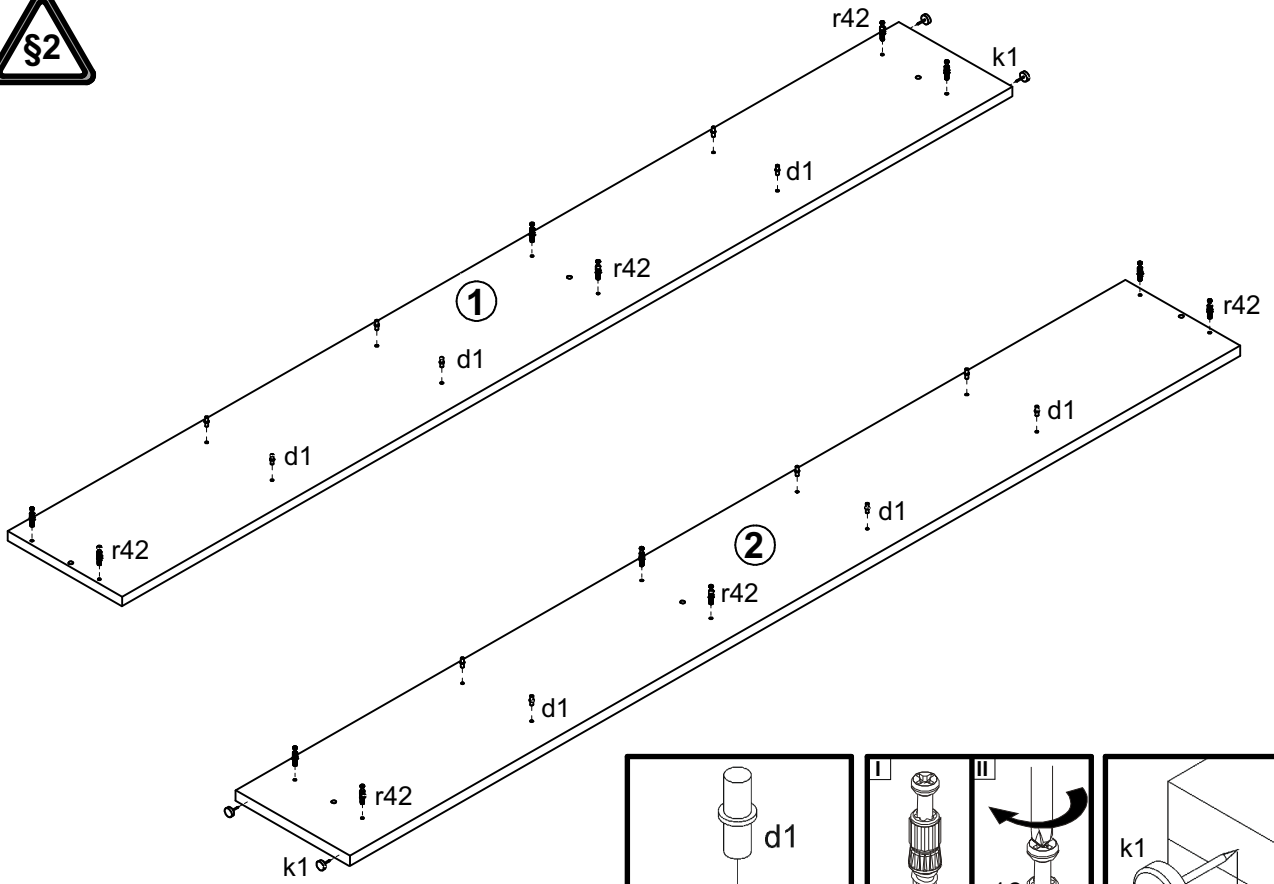
BOBBY

REG

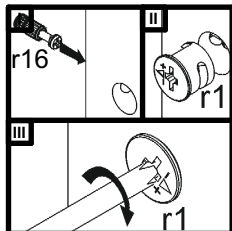
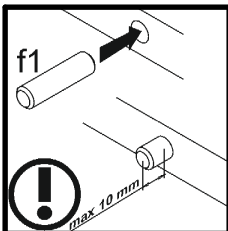
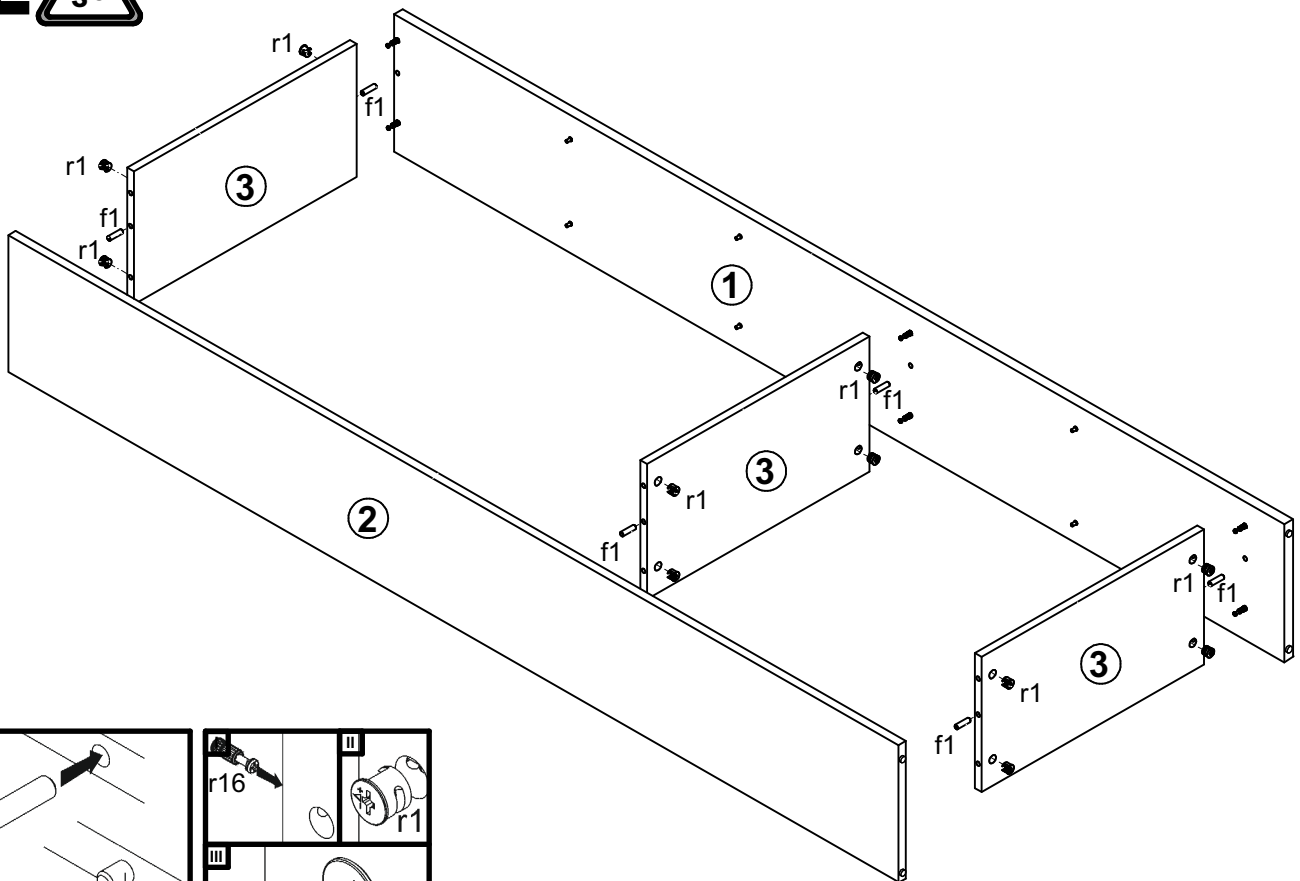
A	B	C		D
1	N11-101	1745	237	1/1
2	N11-102	1745	237	1/1
3	N11-301	568	236	1/1
4	N11-302	268	232	1/1
5	N11-901	1679	297	1/1
6	Lh-1649	1649	14	1/1



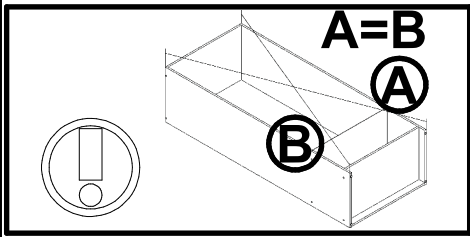
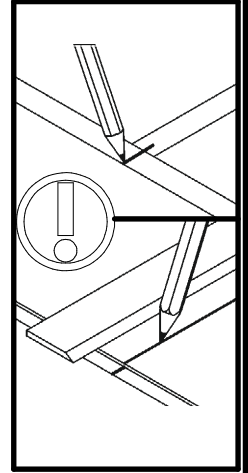
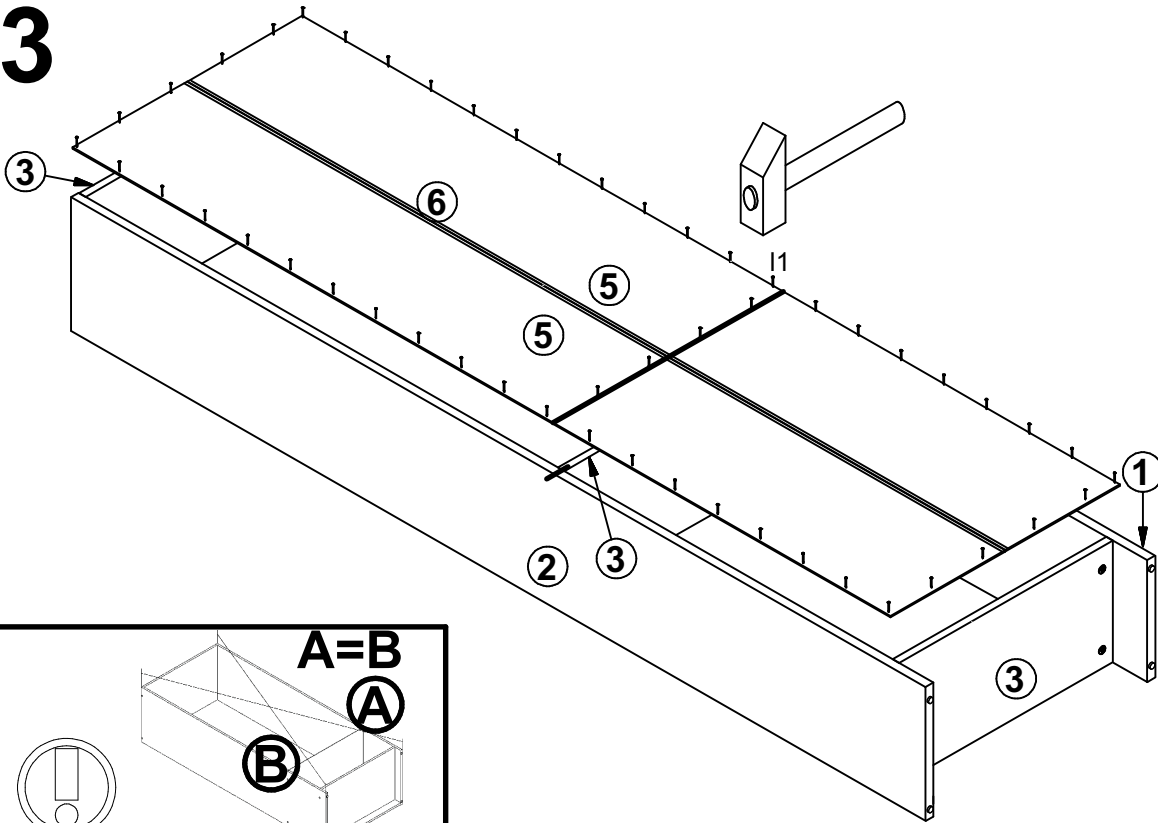
1



2



3



4

