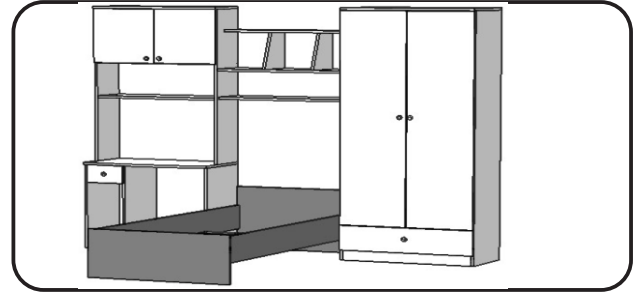
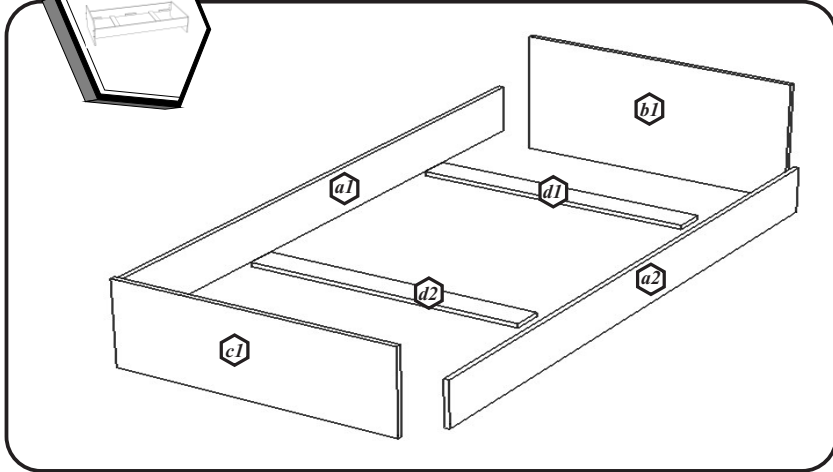
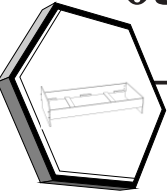


05860009/01

BOND

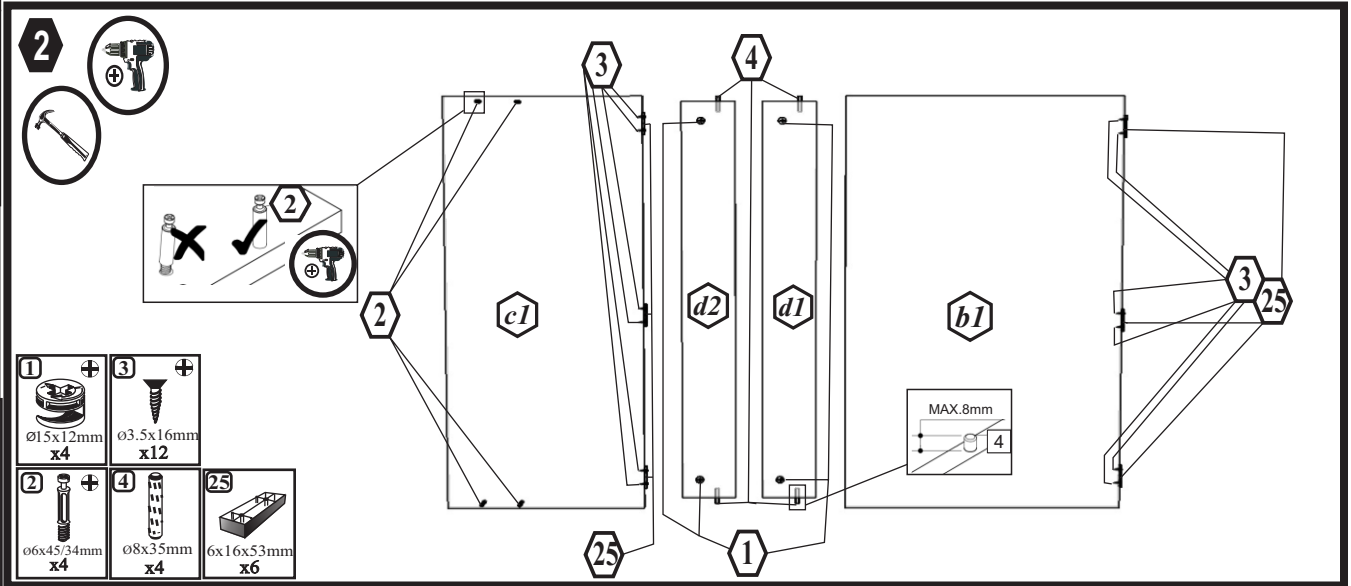
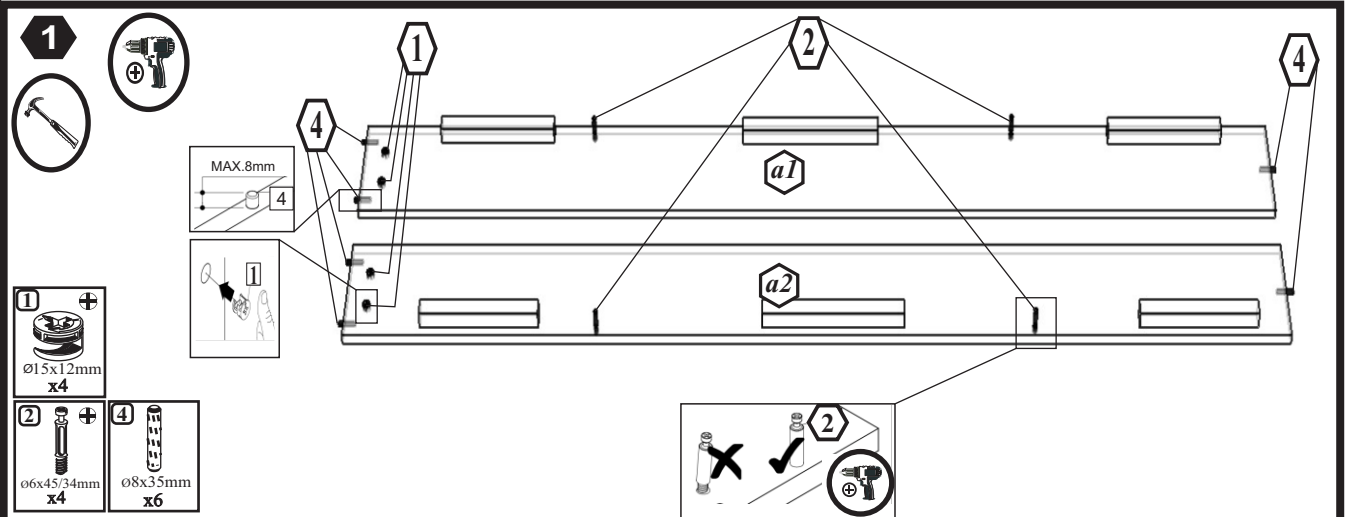


| 032 | a1 a2 | 2000x200x16mm | 2 | 03/05 |
|-----|-------|---------------|---|-------|
| 033 | b1 | 934x500x16mm | 1 | 03/05 |
| 034 | c1 | 934x3521x16mm | 1 | 03/05 |
| 035 | d1 d2 | 900x100x16mm | 2 | 03/05 |



10Min.

- 1 $\varnothing 15 \times 12 \text{mm}$ x8
- 2 $\varnothing 6 \times 45/34 \text{mm}$ x8
- 3 $\varnothing 3.5 \times 16 \text{mm}$ x12
- 4 $\varnothing 8 \times 35 \text{mm}$ x10
- 5 $\varnothing 7 \times 50 \text{mm}$ x4
- 25 6x16x53mm x6



05860009/01

BOND

