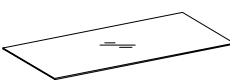

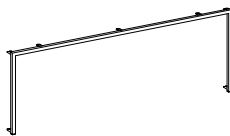


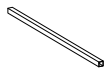

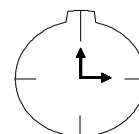
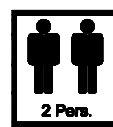
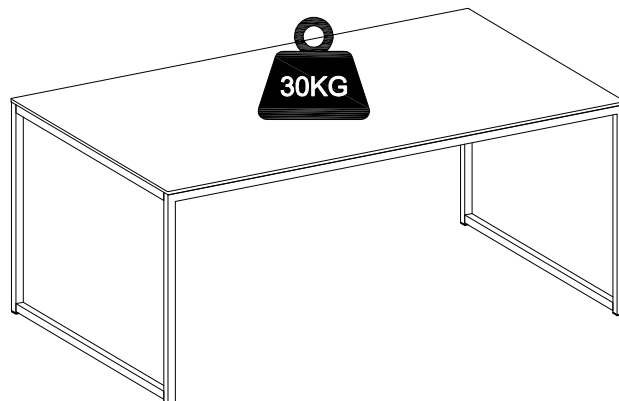


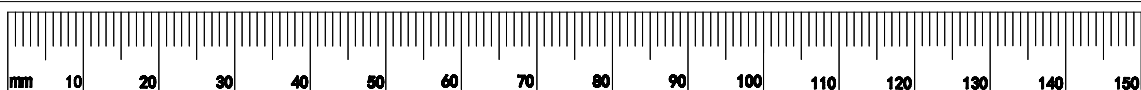
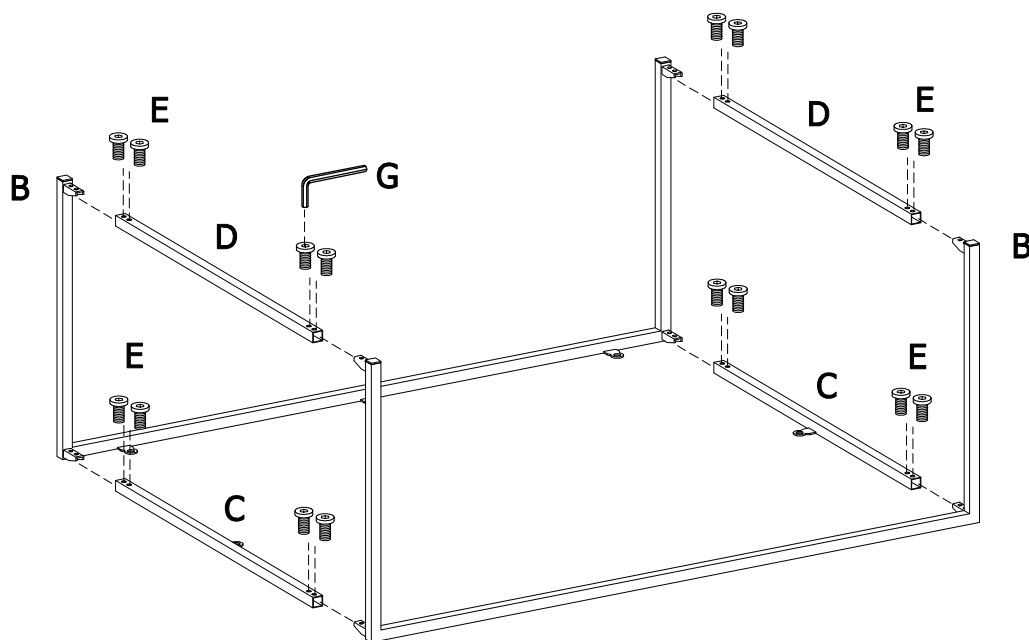
Assembly Instructions

Article number: 24650052/01, 1352934

A		1PC	E		16PCS
B		2PCS		M6 x 10mm	
C		2PCS	F		8PCS
D		2PCS	G		1PC
				4mm	



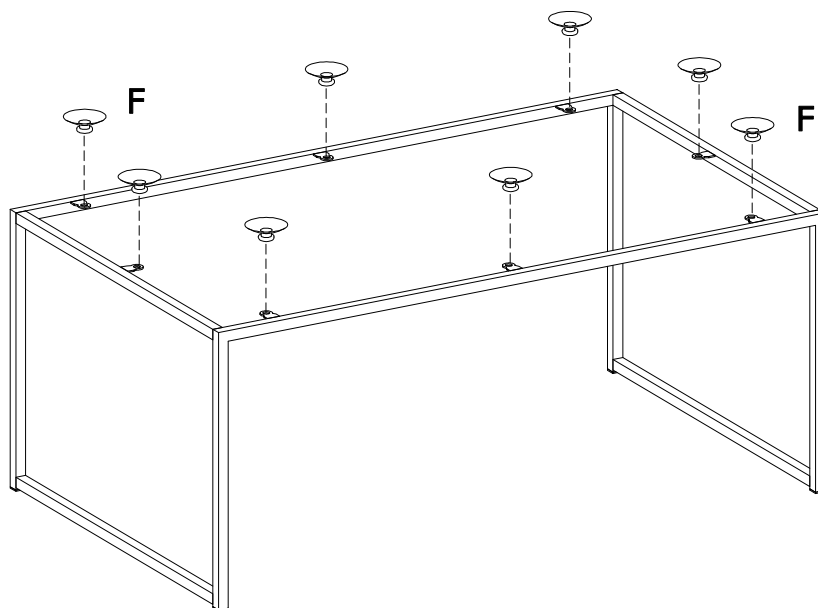
1.



Assembly Instructions

Article number: 24650052/01, 1352934

2.



3.

