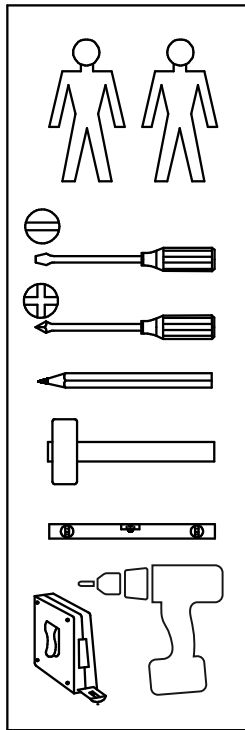


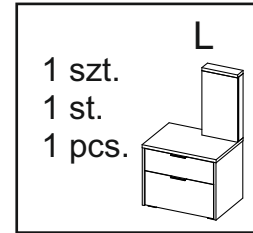
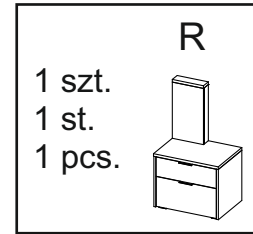
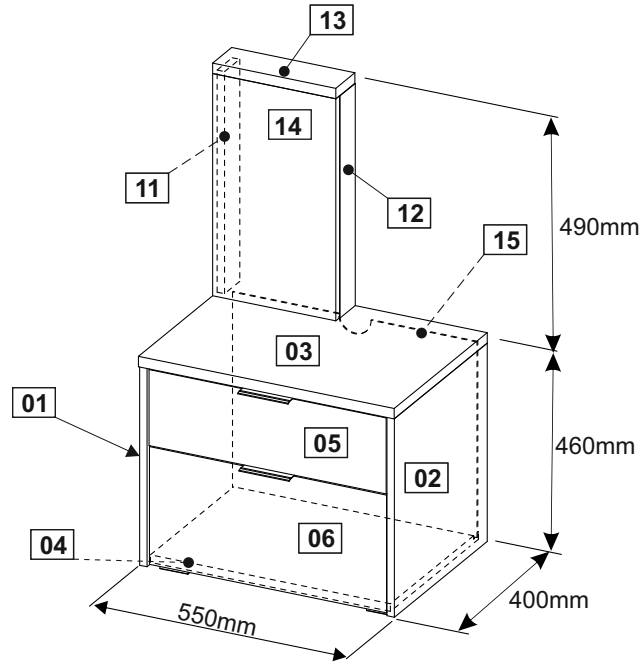
# Stanford 2S

38-595-...

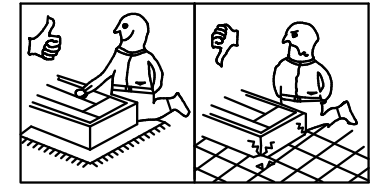
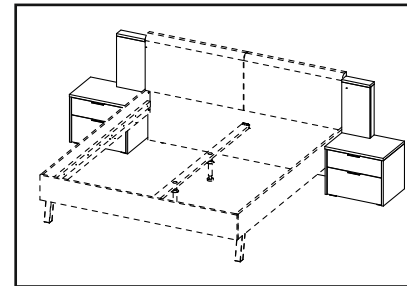
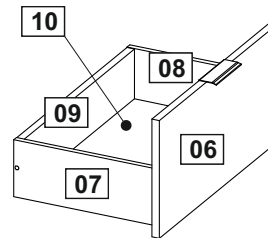
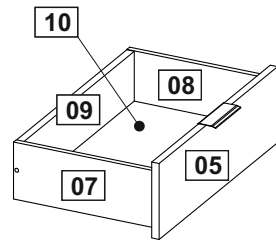


03 max. 20 kg (44 lbs)

10 max. 3 kg (6 lbs)



01	7027240	418x399x16	x1	1/1
02	7027239	418x399x16	x1	1/1
03	7027241	550x400x22	x1	1/1
04	7027238	516x379x16	x1	1/1
05	7027236	510x160x16	x1	1/1
06	7027237	510x248x16	x1	1/1
07	3019975	300x120x12	x2	1/1
08	3019976	300x120x12	x2	1/1
09	3020547	476x105x12	x2	1/1
10	7027244	486x307x3	x2	1/1
11	7027230	468x65x16	x1	1/1
12	7027231	468x65x16	x1	1/1
13	7027232	265x82x22	x1	1/1
14	7027233	265x468x16	x1	1/1
15	7027235	526x412x3	x1	1/1

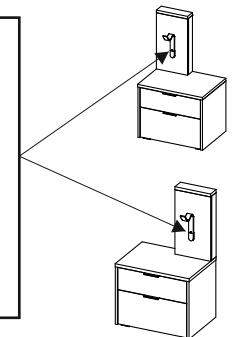
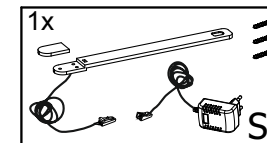


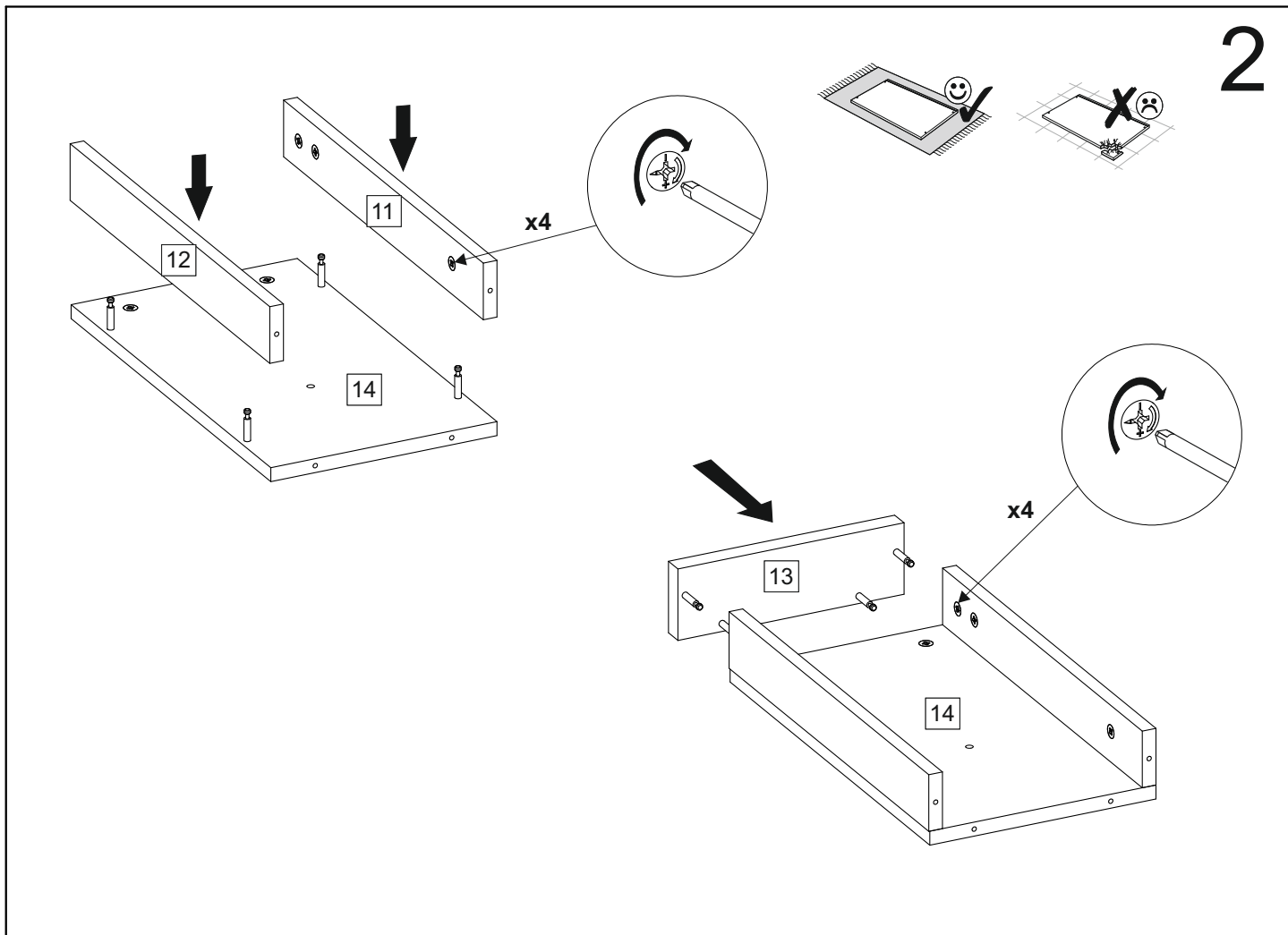
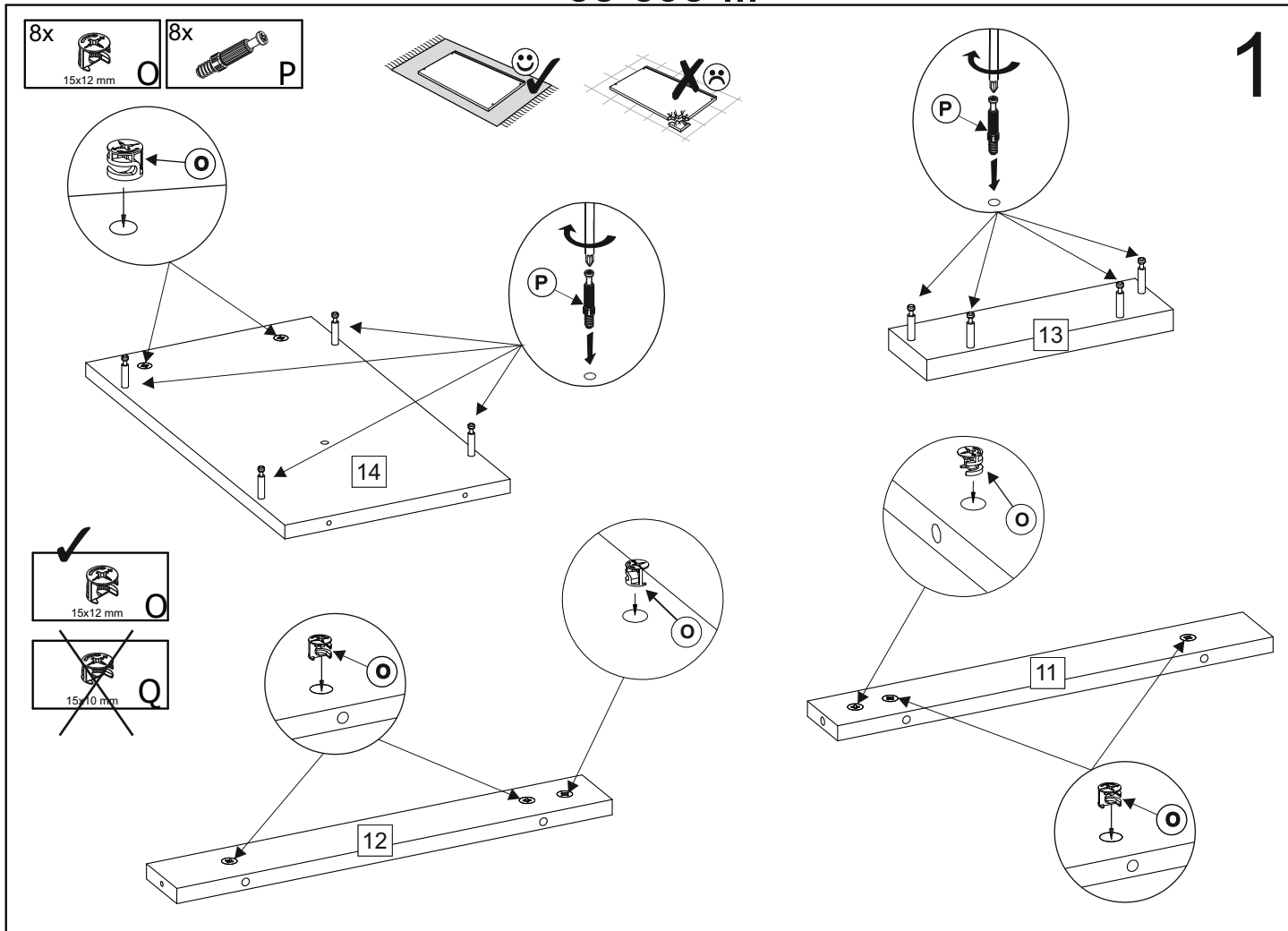
C 1/1



8x 8x35 mm A	4x 7x60 mm B	8x 6x30 mm C	16x 6,3x13 mm D	4x 7x50 mm E	1x F	1x 3,5x16 mm G	4x H
1x I	2x J	4x K	8x 4x20 mm L	2x 300 M	8x N	16x 15x12 mm O	
24x P	8x 15x10 mm Q	10x 3x20 mm R					

OPTION





4x



8x35 mm

A

4x



15x12 mm

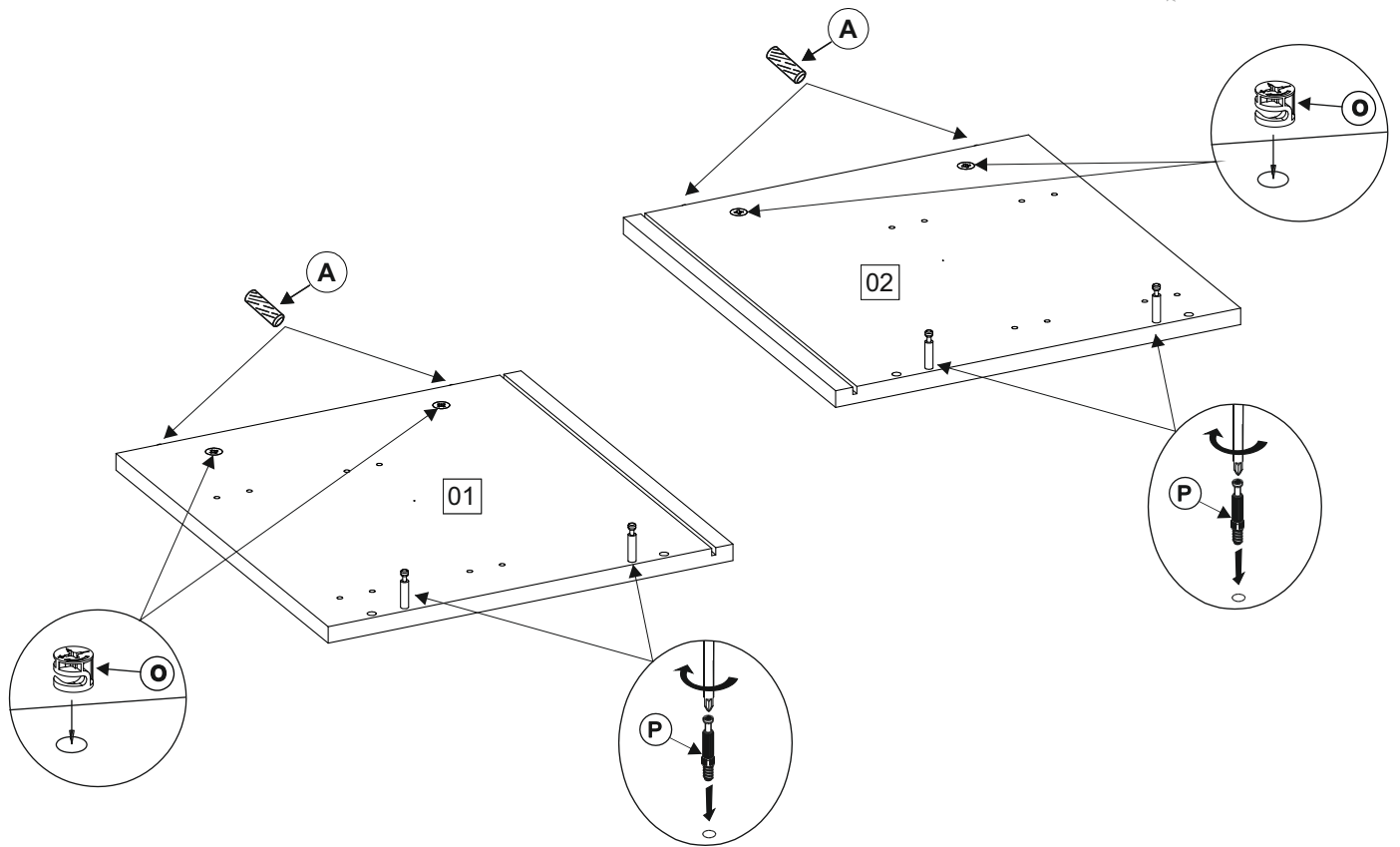
O

4x



P

3



4x



8x35 mm

A

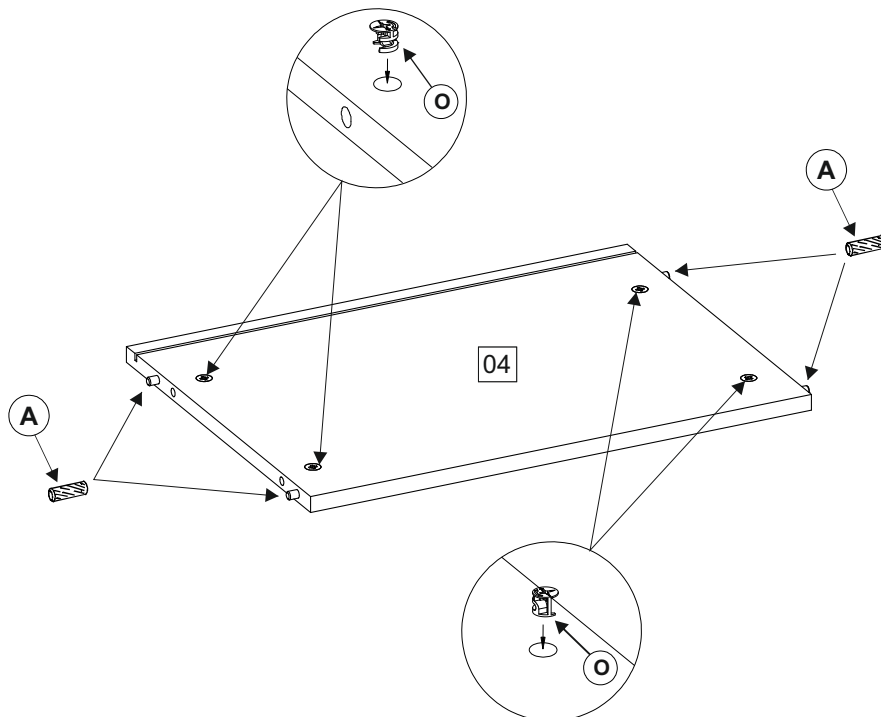
4x

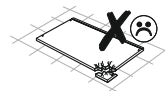
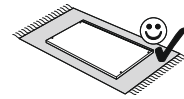


15x12 mm

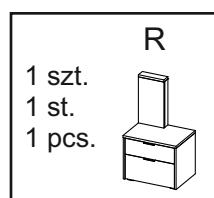
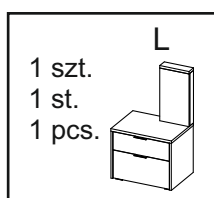
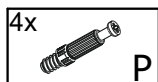
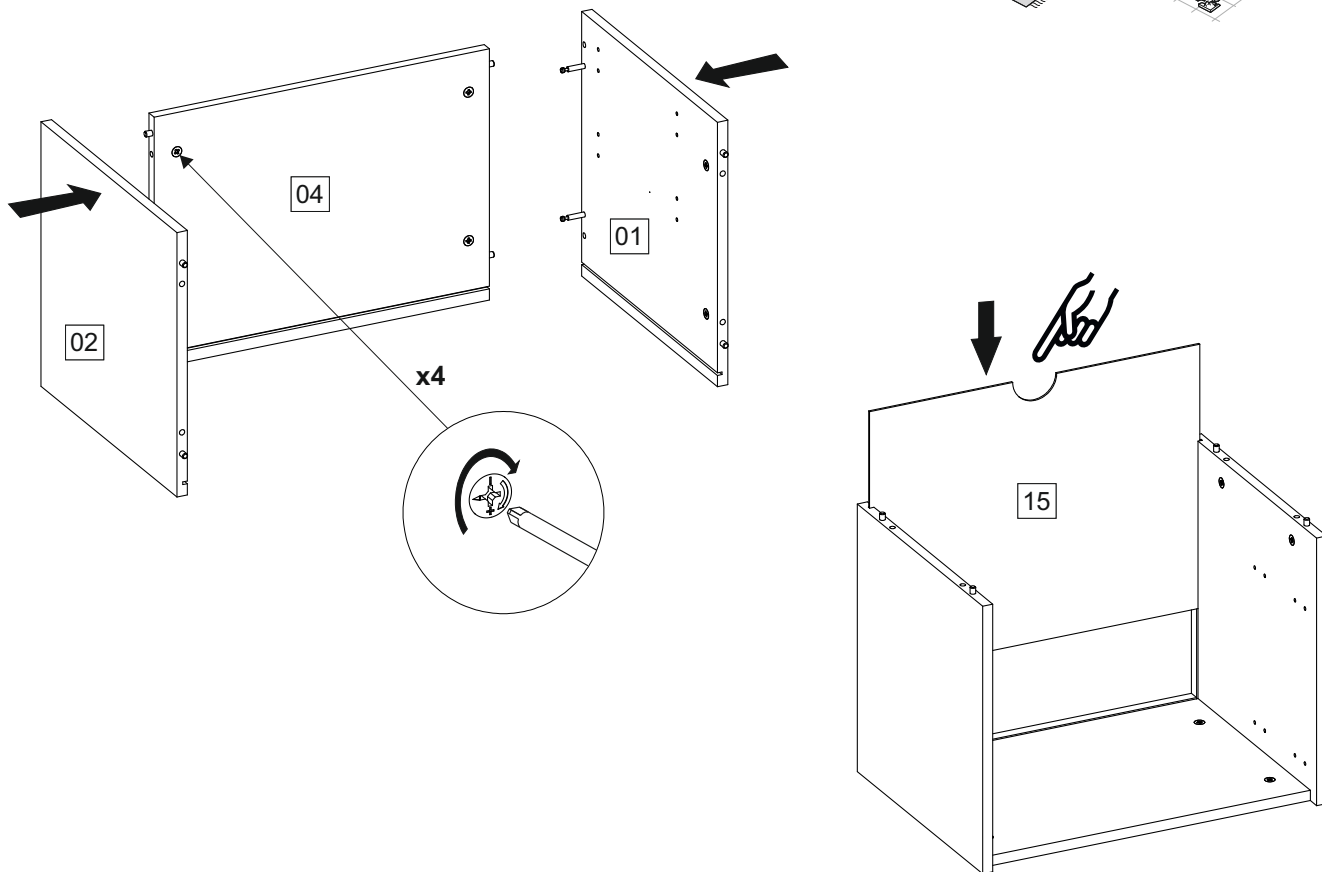
O

4

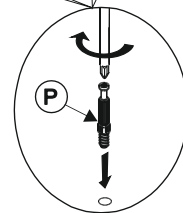
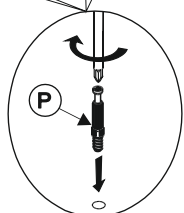
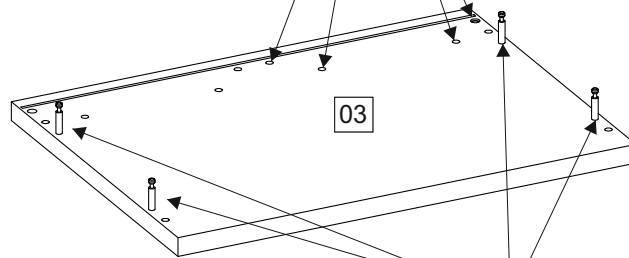
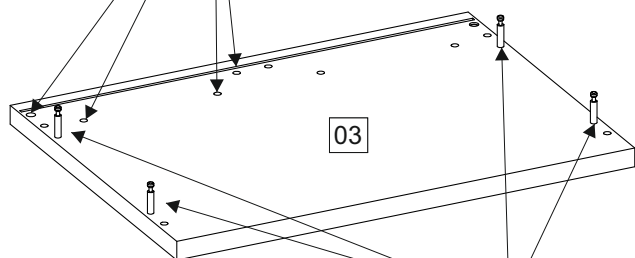
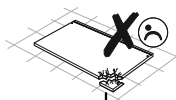
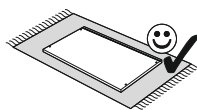
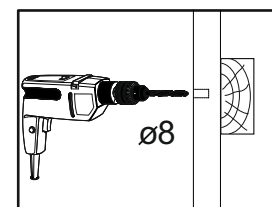
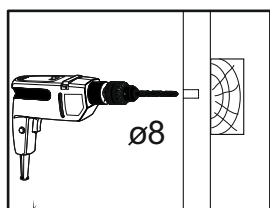


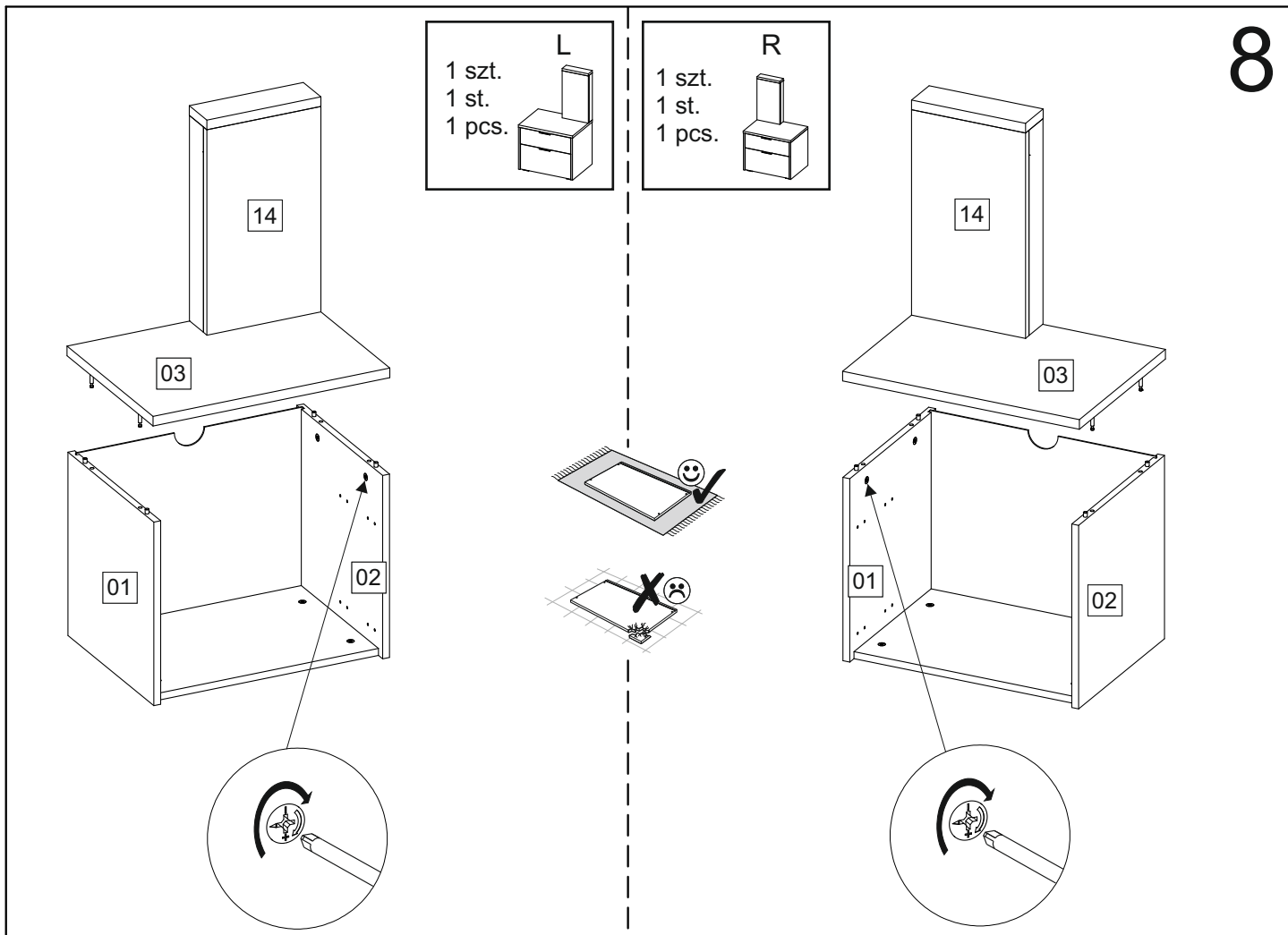
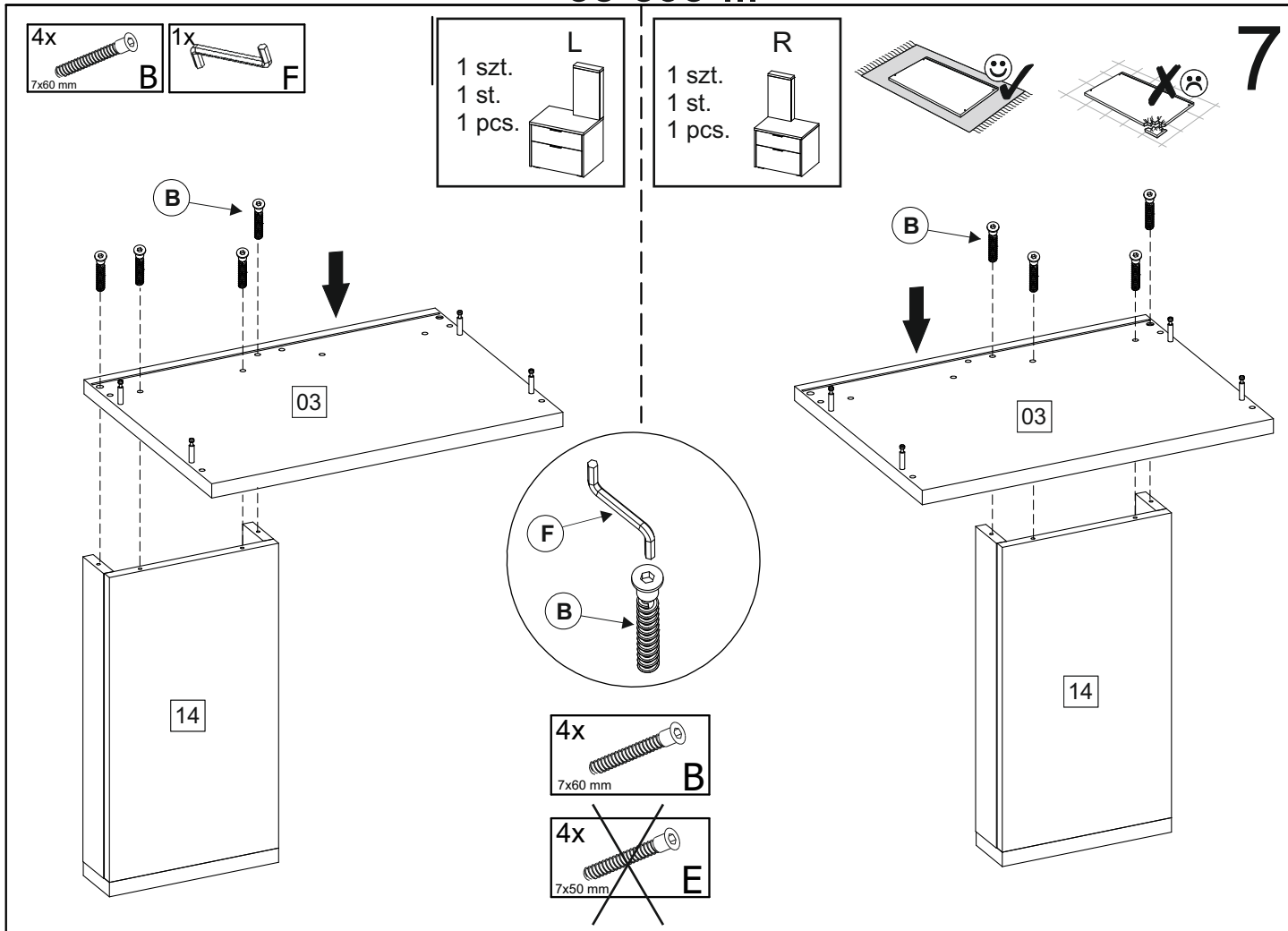



5

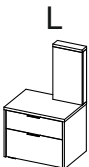


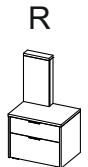
6

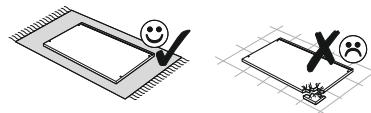




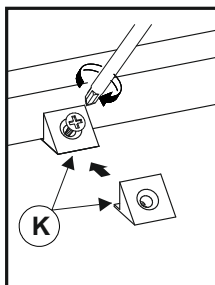
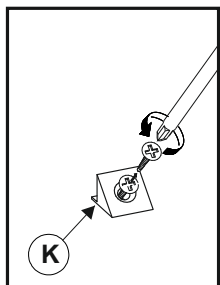
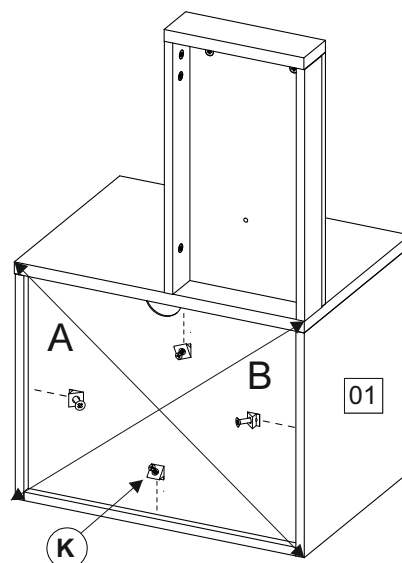
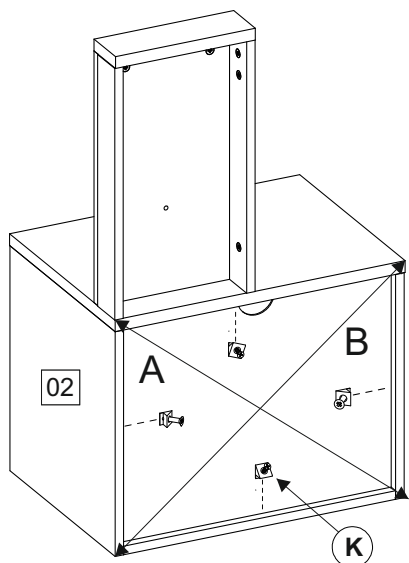
4x  K


1 szt.  
1 st.  
1 pcs.  L

1 szt.  
1 st.  
1 pcs.  R

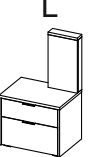


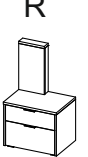
9

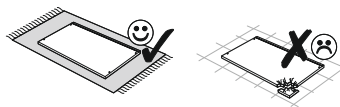


4x  H

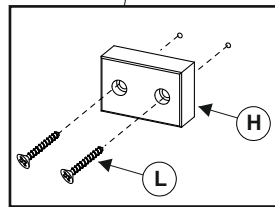
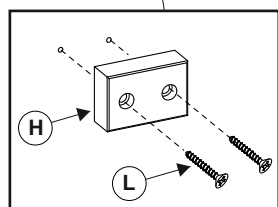
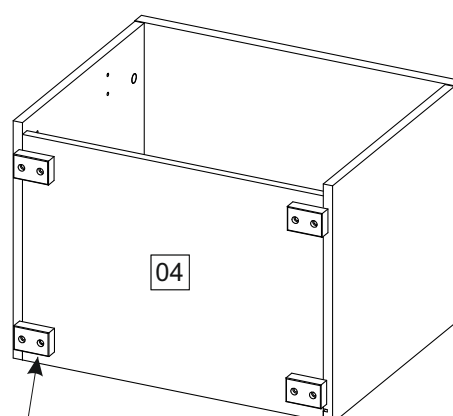
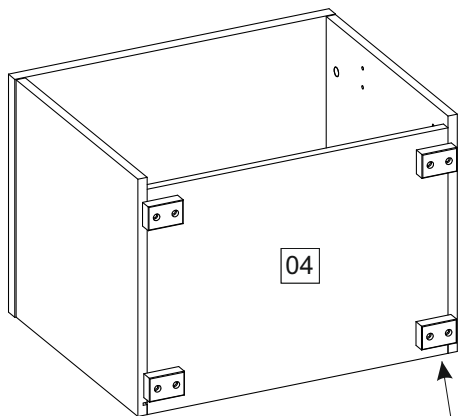
8x  L  
4x20 mm

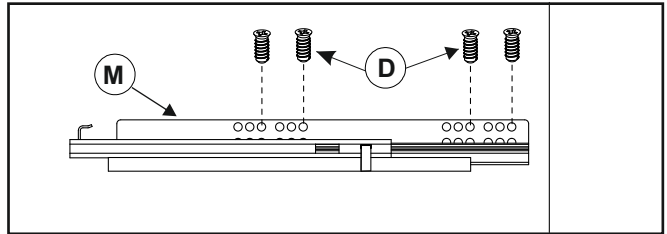
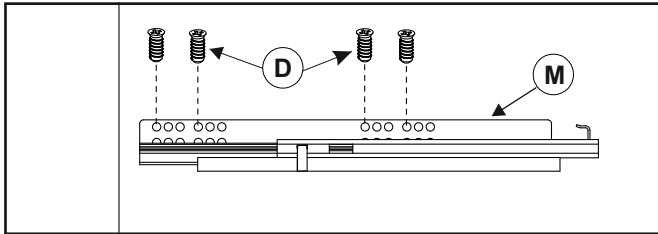
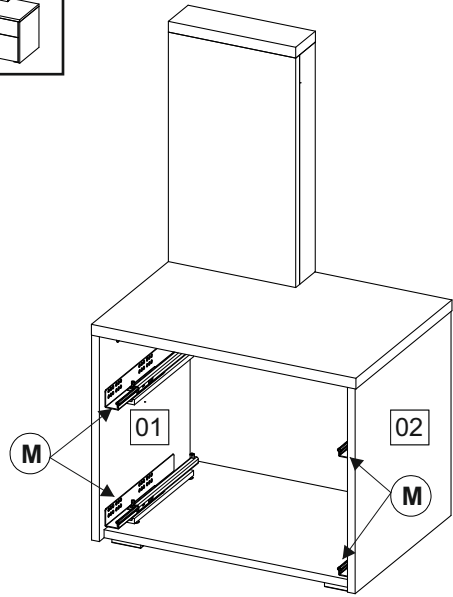
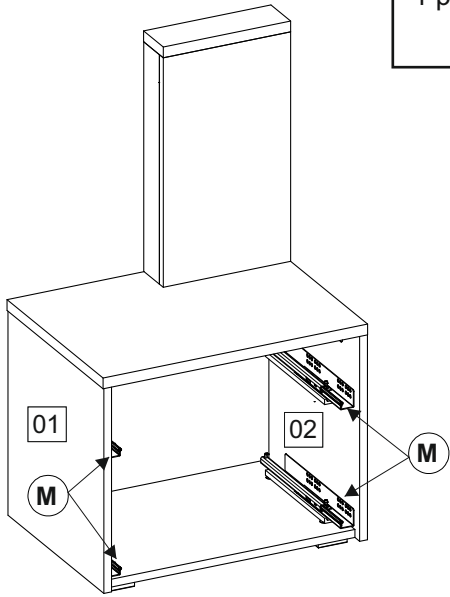
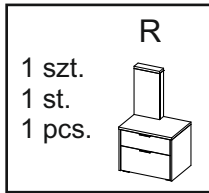
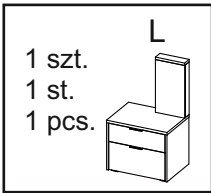
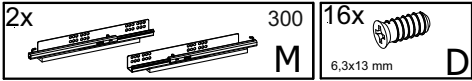
1 szt.  
1 st.  
1 pcs.  L

1 szt.  
1 st.  
1 pcs.  R

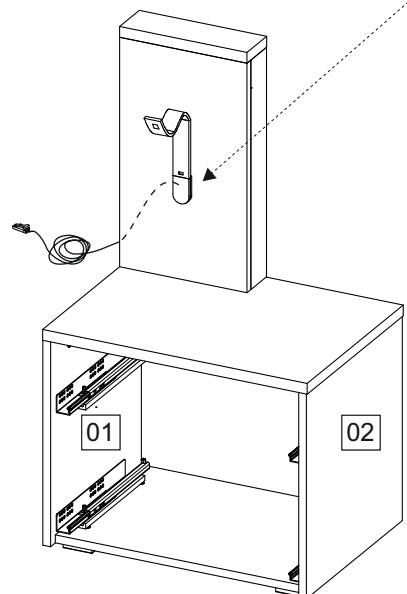
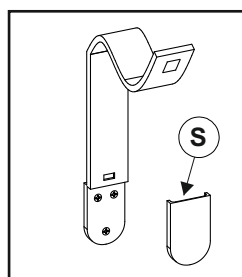
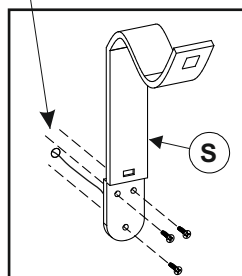
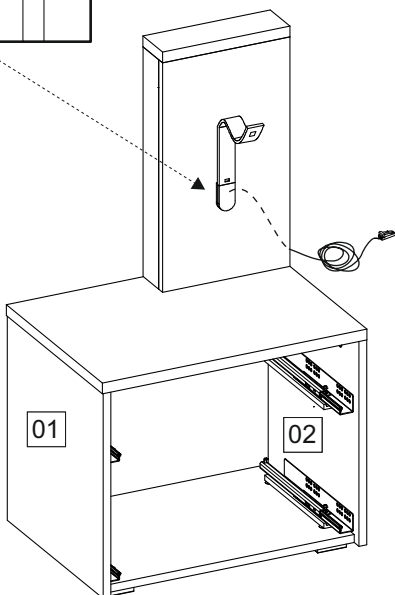
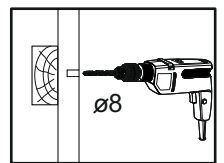
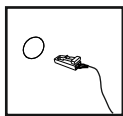
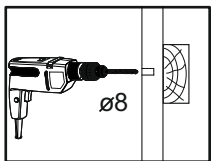
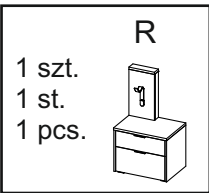
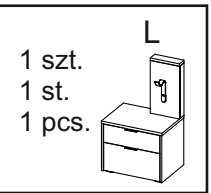
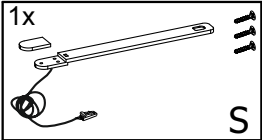


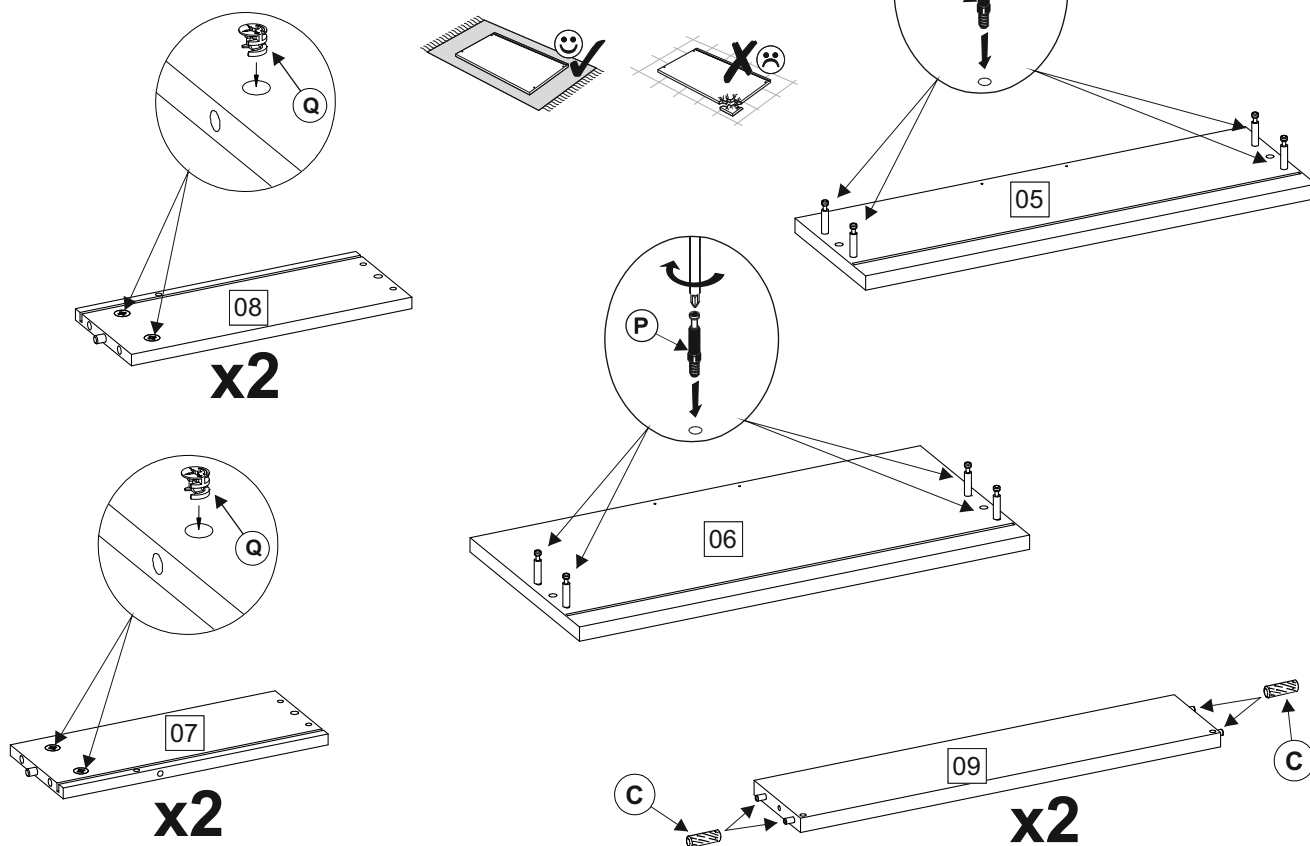
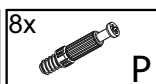
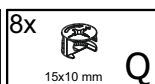
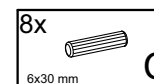
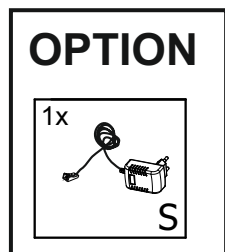
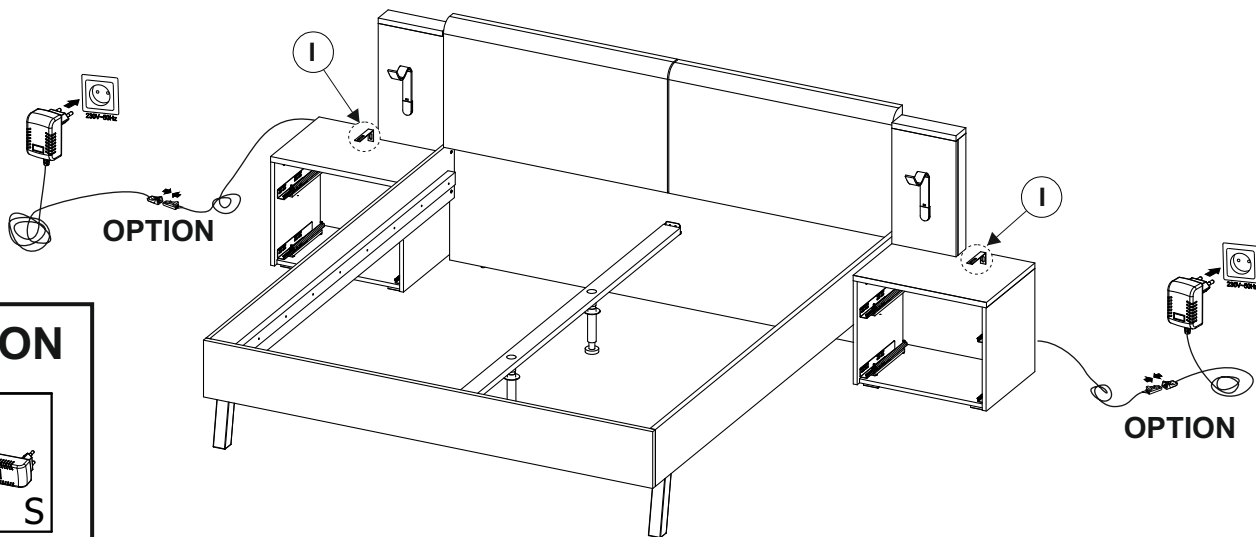
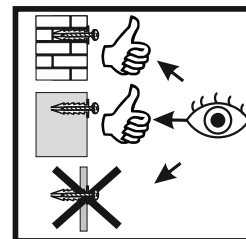
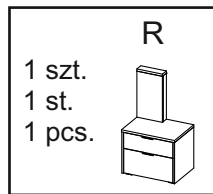
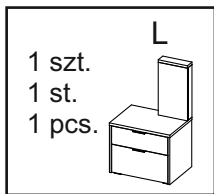
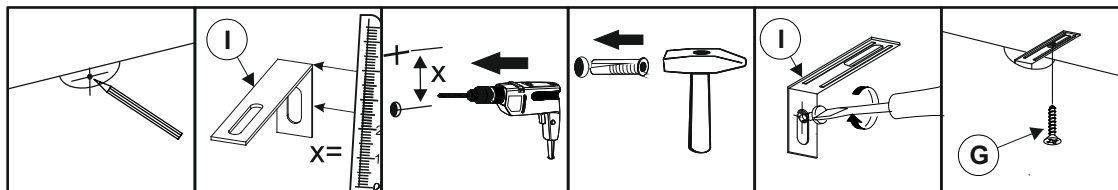
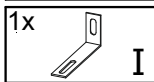
10








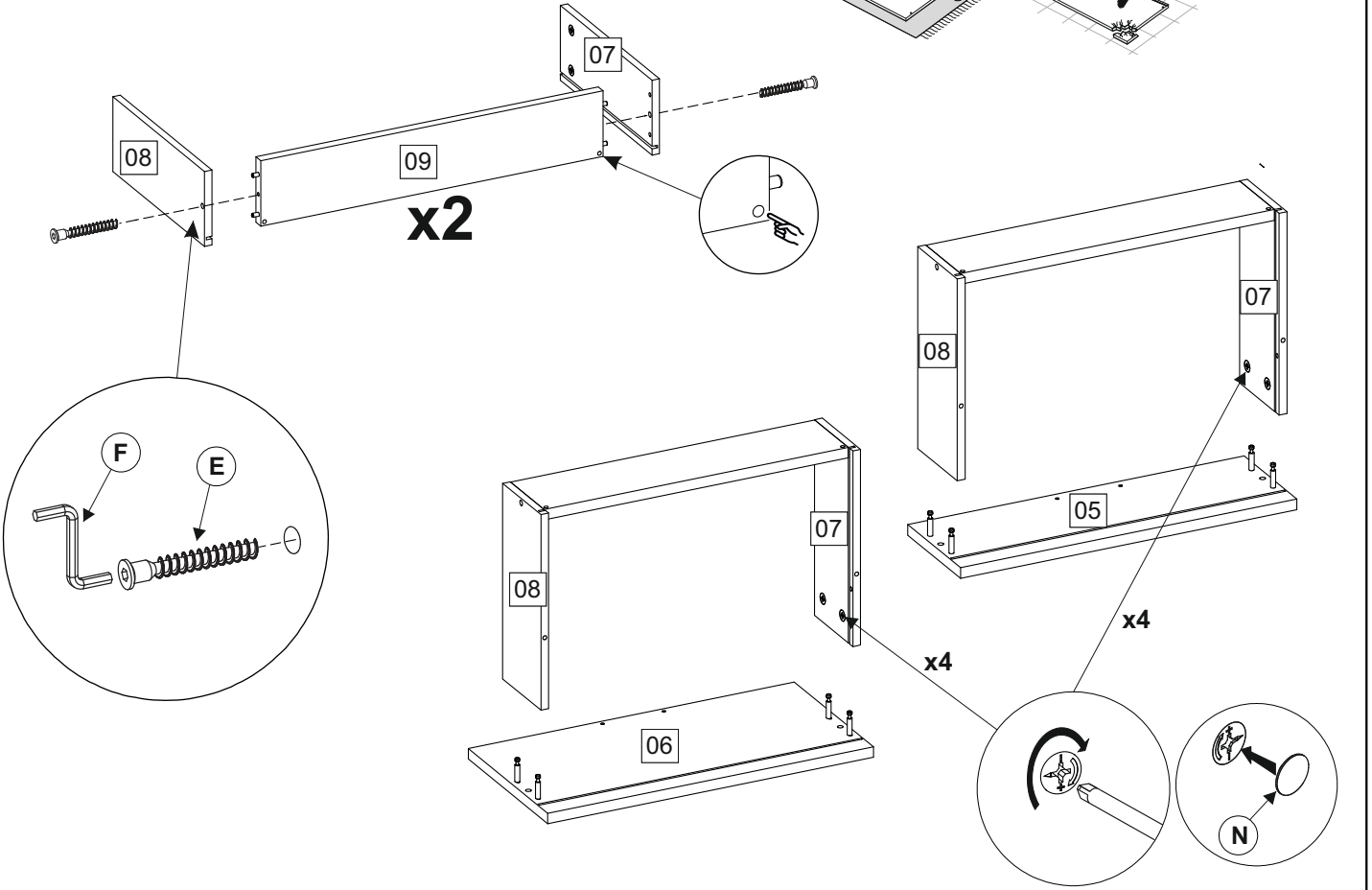
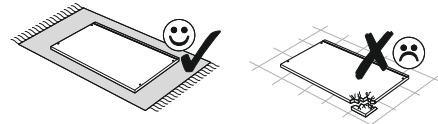
**OPTION**




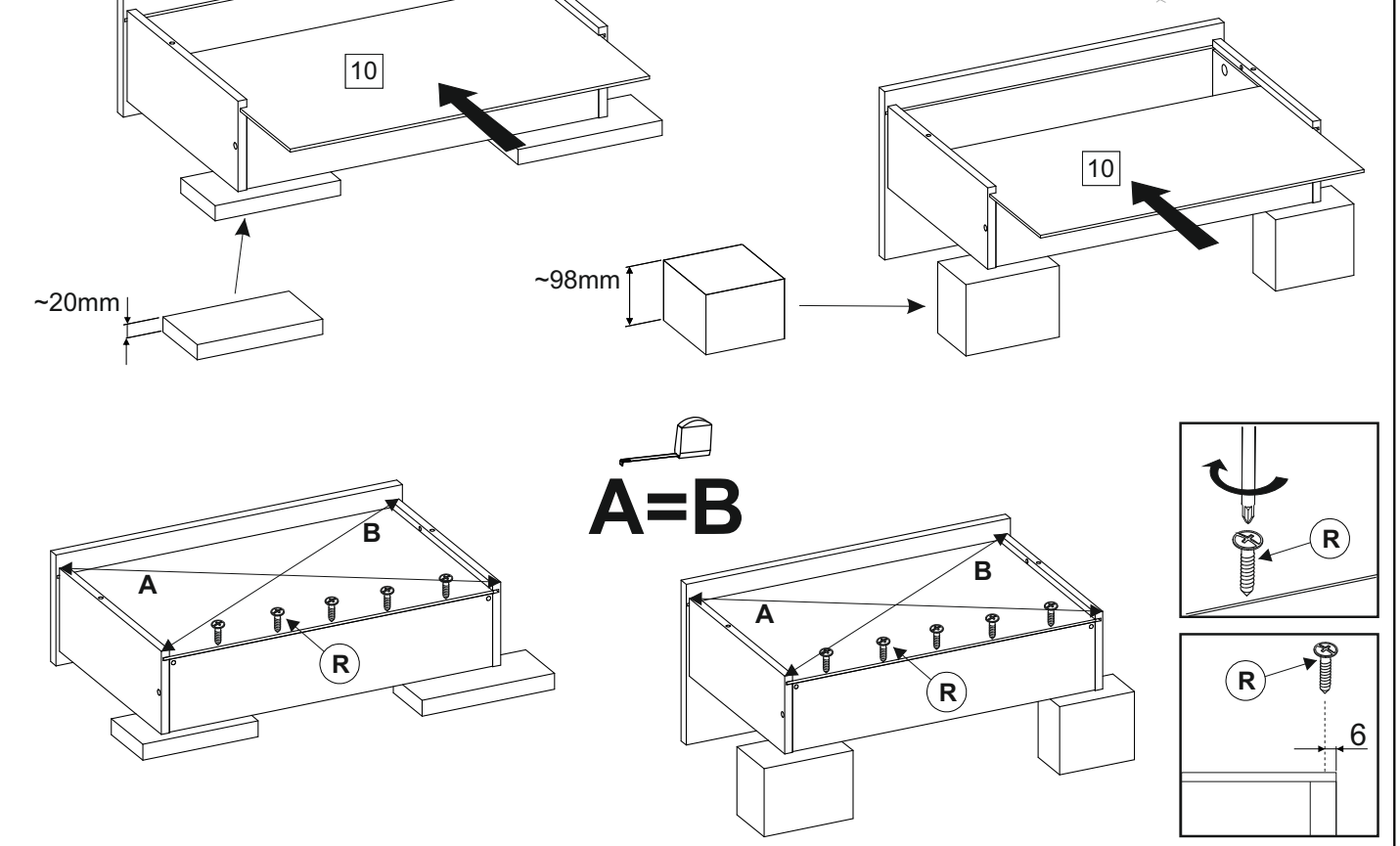
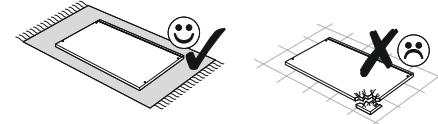




- 4x  E  
7x50 mm
- 1x  F
- 8x  N



- 10x  R  
3x20 mm



**A=B**

