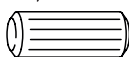


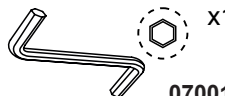
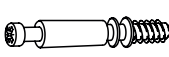

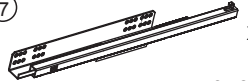
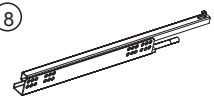

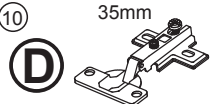
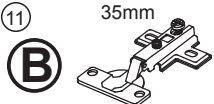


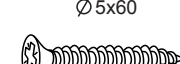
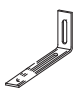
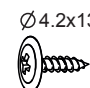
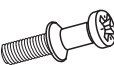
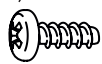


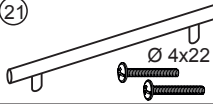
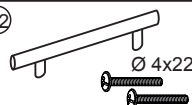
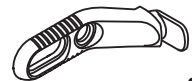
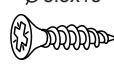



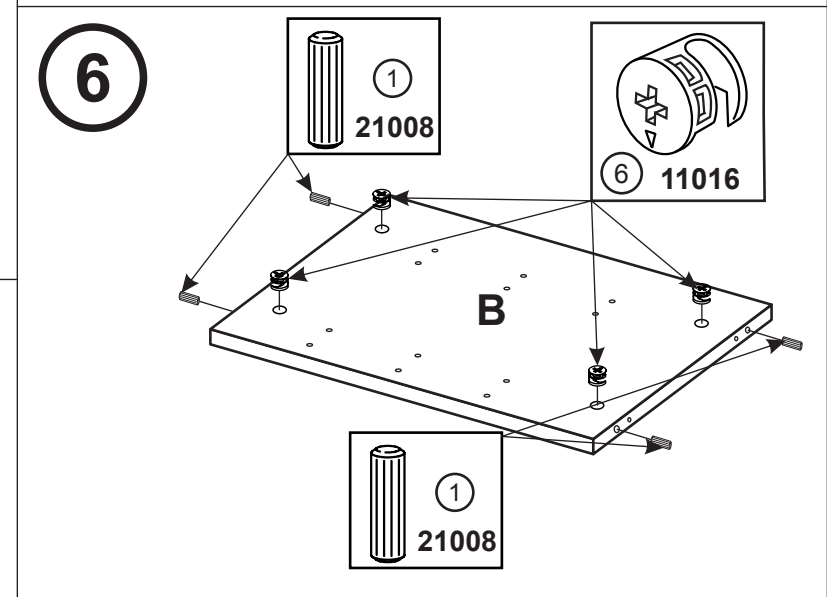
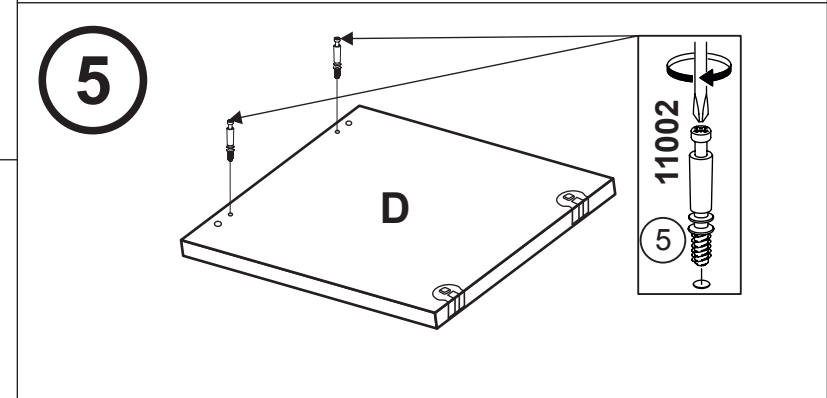
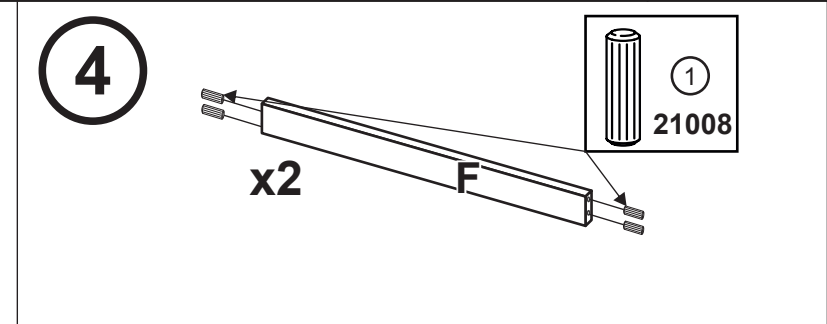
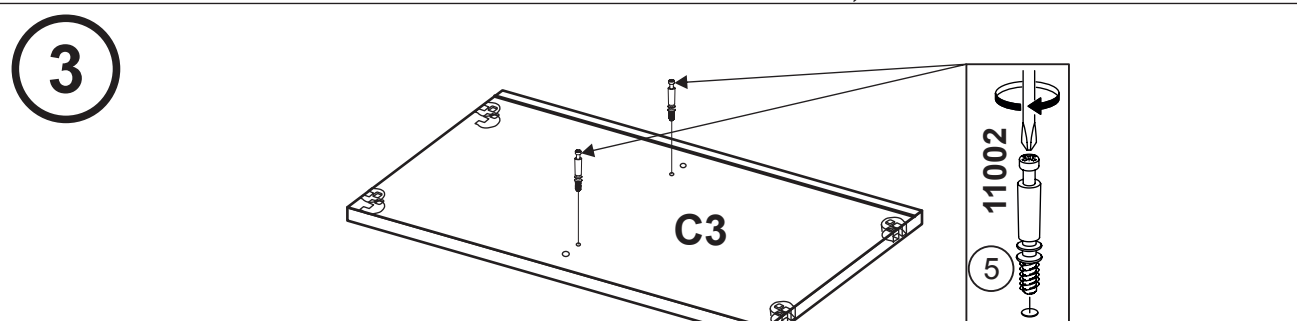
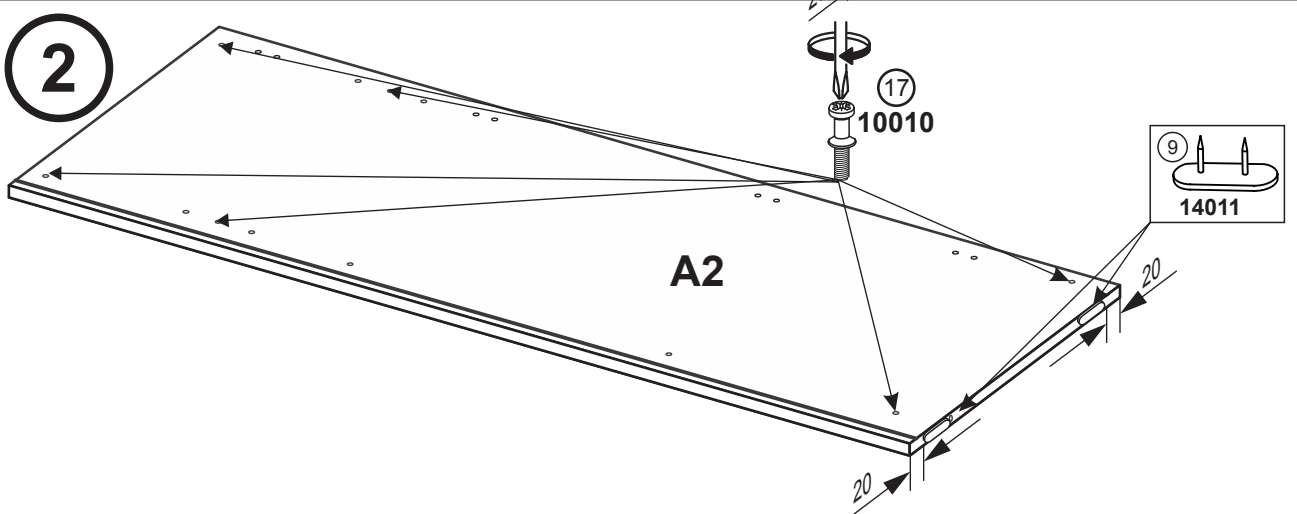
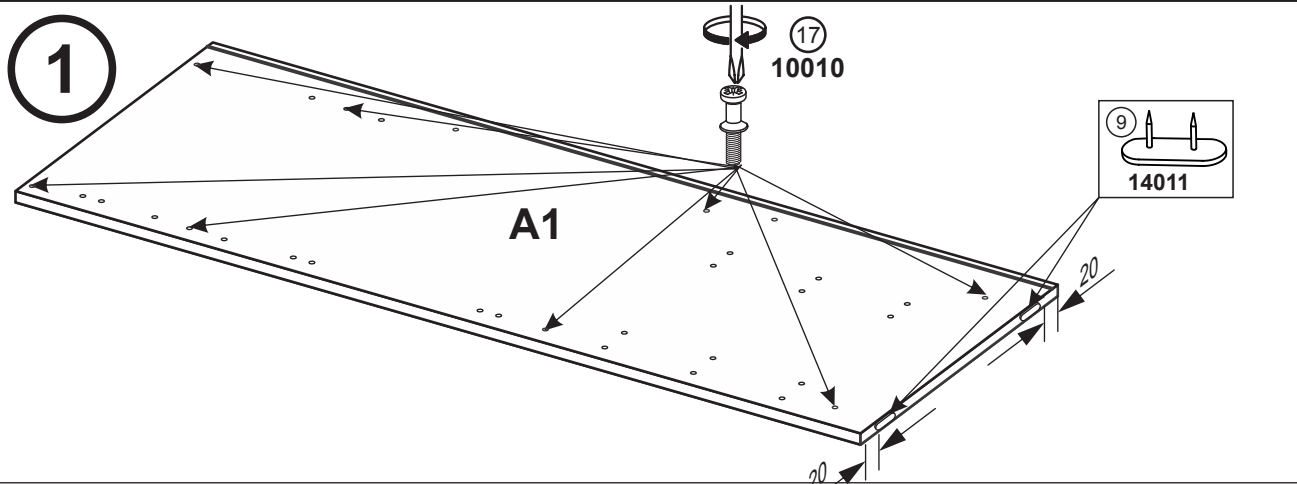
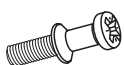
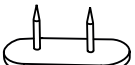



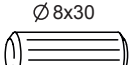

Teil	Maß	Stk	Colli
A1 -	2188 x 580 x 16	- x 1	1/4
A2 -	2188 x 580 x 16	- x 1	1/4
B -	687 x 566 x 16	- x 1	2/4
C1 -	948 x 580 x 16	- x 1	3/4
C2 -	948 x 566 x 16	- x 1	3/4
C3 -	948 x 580 x 16	- x 1	3/4
D -	482 x 566 x 16	- x 1	2/4
E -	2114 x 956 x 3	- x 1	1/4
F -	948 x 50 x 16	- x 2	3/4
G -	1423 x 486 x 18	- x 1	4/4
H -	2155 x 486 x 18	- x 1	4/4
J -	486 x 240 x 18	- x 3	4/4
K -	438 x 456 x 16	- x 3	2/4
L -	450 x 130 x 16	- x 3	2/4
M -	450 x 130 x 16	- x 3	2/4
N -	426 x 116 x 16	- x 3	2/4
R -	941	- x 1	3/4



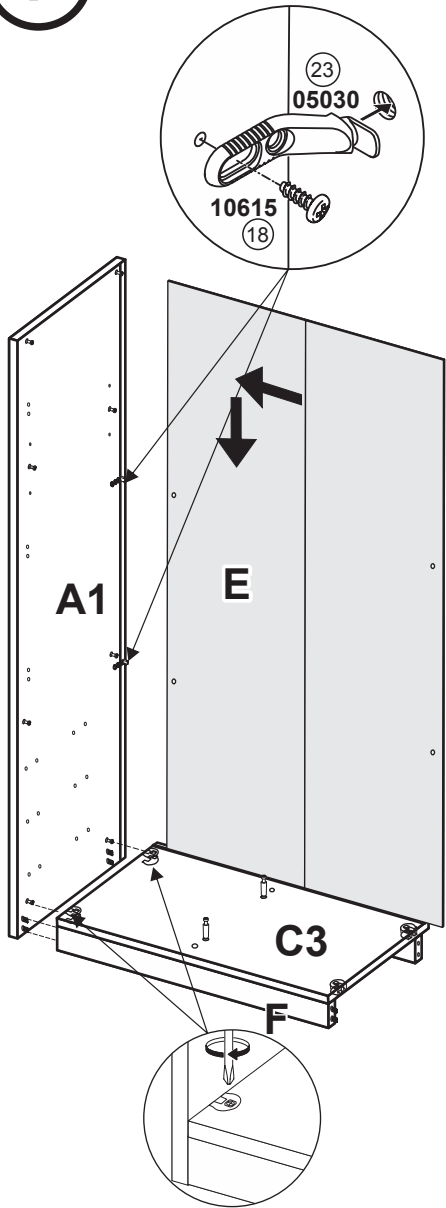
①  $\varnothing 8 \times 30$ x36 21008	②  $\varnothing 4 \times 16$ x14 10416	③  $\varnothing 6,4 \times 50$ x6 07650	④  x1 07001	⑤  x10 11002	⑥  x10 11016	⑦  x3 05629
⑧  x3 05630	⑨  x4 14011	⑩  35mm x3 78126	⑪  35mm x4 57602	⑫  $\varnothing 6.3 \times 13$ x14 10613	⑬  $\varnothing 8 \times 60$ x2 10016	⑭  $\varnothing 5 \times 60$ x2 10443
⑮  x2 08011	⑯  $\varnothing 4.2 \times 13$ x4 10413	⑰  x14 10010	⑱  $\varnothing 6.3 \times 10$ x4 10615	⑲  x10 01001	⑳  $\varnothing 30 \times 15$ x2 80333	㉑  x2 $\varnothing 4 \times 22$ 65788
㉒  x3 $\varnothing 4 \times 22$ 19012	㉓  x4 05030	㉔  $\varnothing 3.5 \times 15$ x8 10315	㉕  x6 00212	㉖  $\varnothing 4.2 \times 19$ x12 10419	㉗  $\varnothing 5 \times 13$ x24 10513	



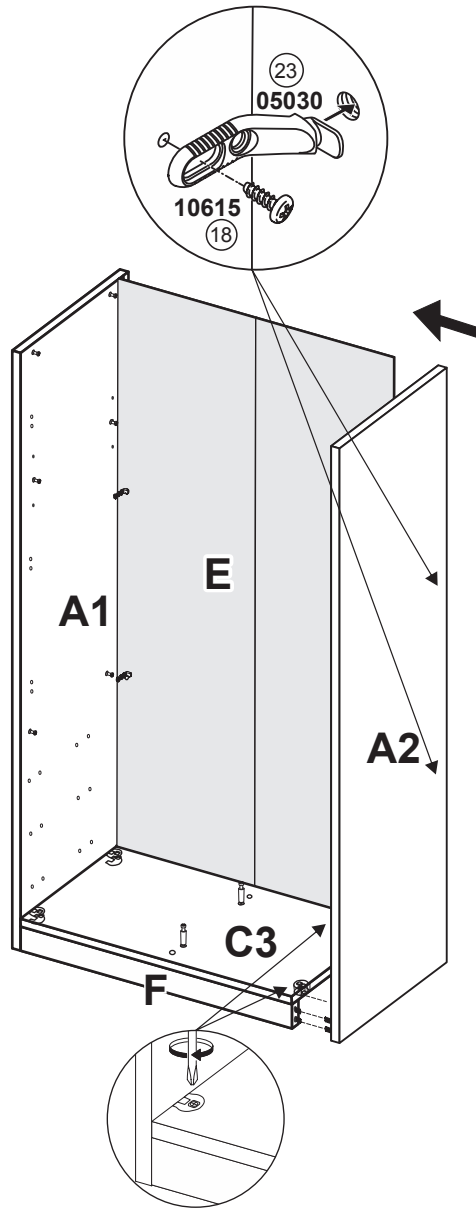
- 17**  x14
10010
- 9**  x4
14011

- 5**  x4
11002
- 1**  $\varnothing 8 \times 30$ x12
21008
- 6**  x4
11016

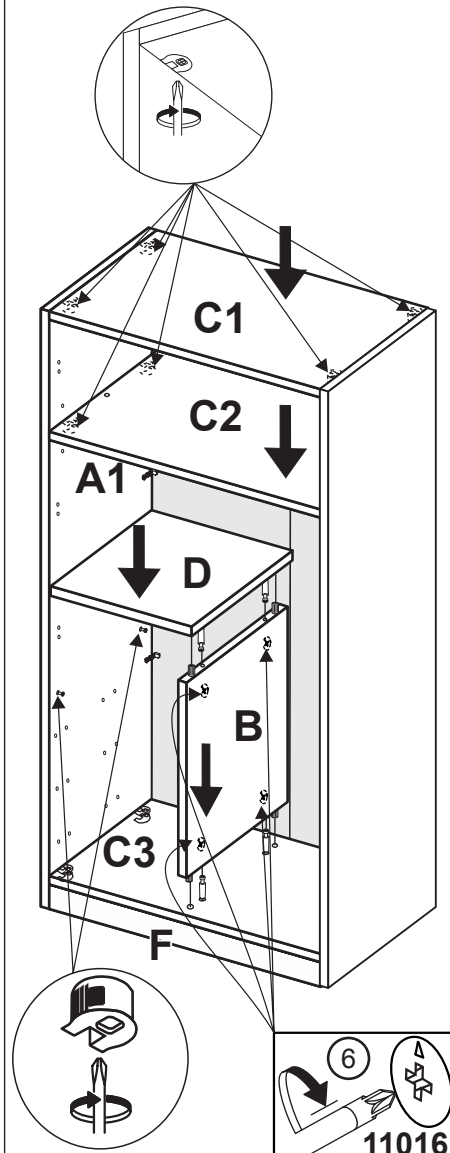
7



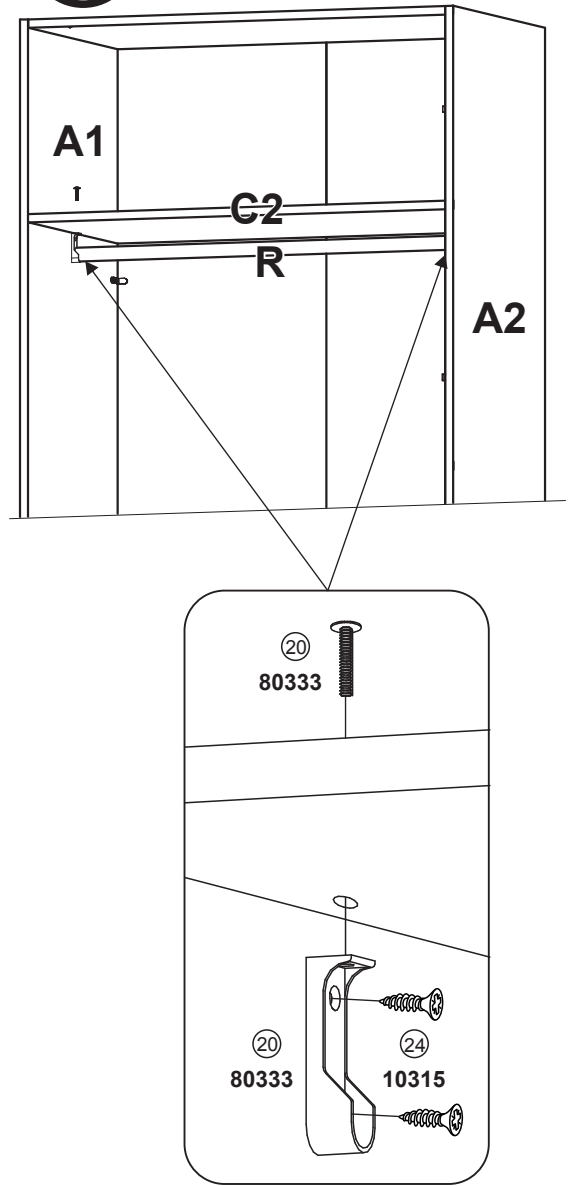
8

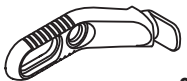
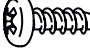



9

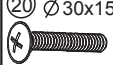
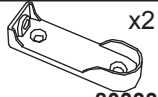



10

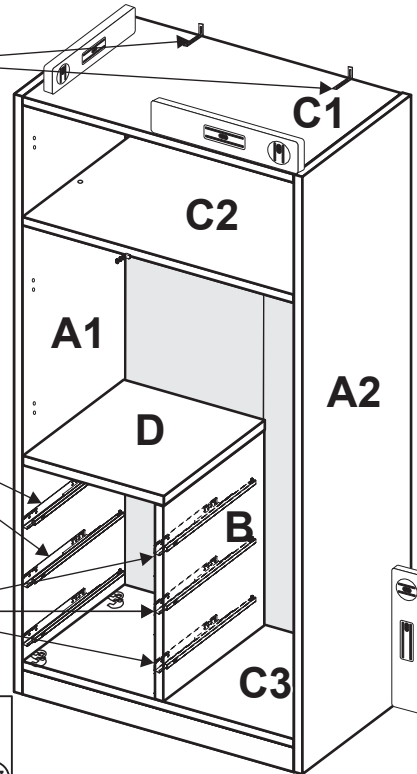
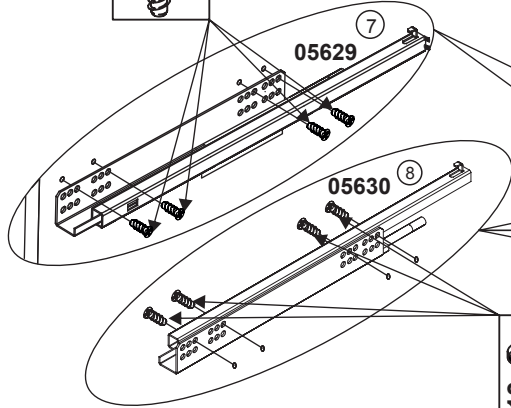
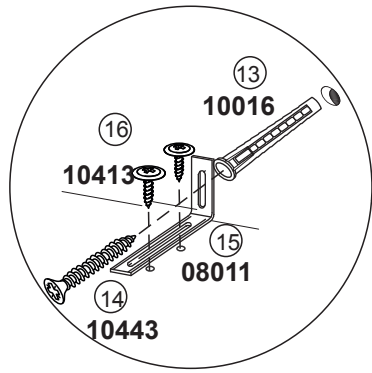
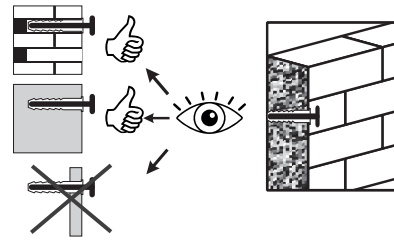


- 23  x4
- 18  Ø 6.3x10 x4
- 05030**
- 10615**

- 6  **11016**

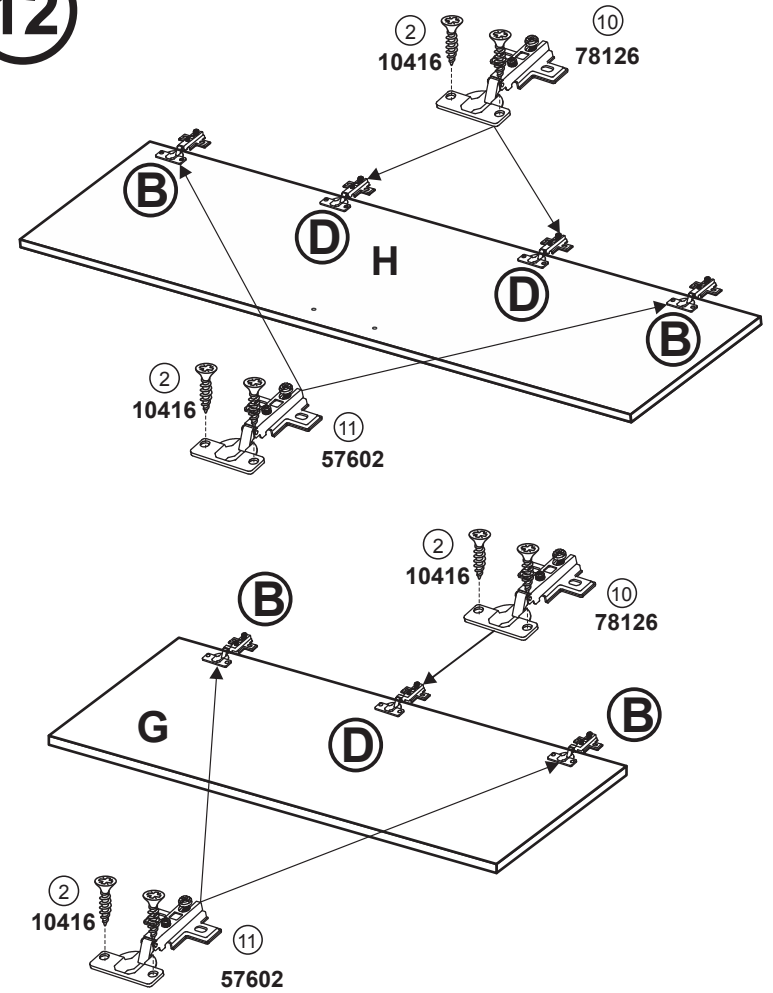
- 20  Ø 30x15 x2
- 24  **80333**
- 24  Ø 3.5x15 x4
- 10315**

11



<p>16</p> <p>Ø4.2x13 x4</p> <p>10413</p>	<p>15</p> <p>x2</p> <p>08011</p>	<p>7</p> <p>x3</p> <p>05629</p>	<p>13</p> <p>Ø8x60 x2</p> <p>10016</p>	<p>14</p> <p>Ø5x60 x2</p> <p>10443</p>	<p>8</p> <p>x3</p> <p>05630</p>	<p>27</p> <p>Ø5x13 x24</p> <p>10513</p>
--	----------------------------------	---------------------------------	--	--	---------------------------------	---

12



<p>2</p> <p>Ø4x16 x14</p> <p>10416</p>	<p>10</p> <p>35mm x3</p> <p>78126</p>	<p>11</p> <p>35mm x4</p> <p>57602</p>
--	---------------------------------------	---------------------------------------

13

14

11002

21008

21008

1

21008

1

21008

max 10 mm

3

07650

M

L

N

x3

15

19012

22

J

L

M

N

x3

6

25

11016

00212

6

11016

16

90°

a

b

a = b

K

M

N

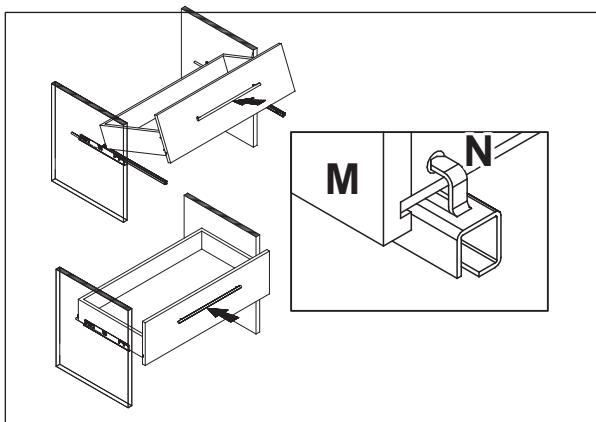
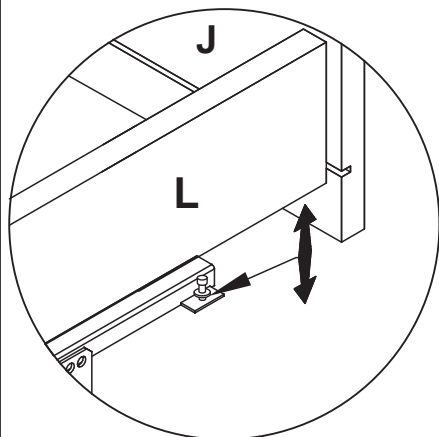
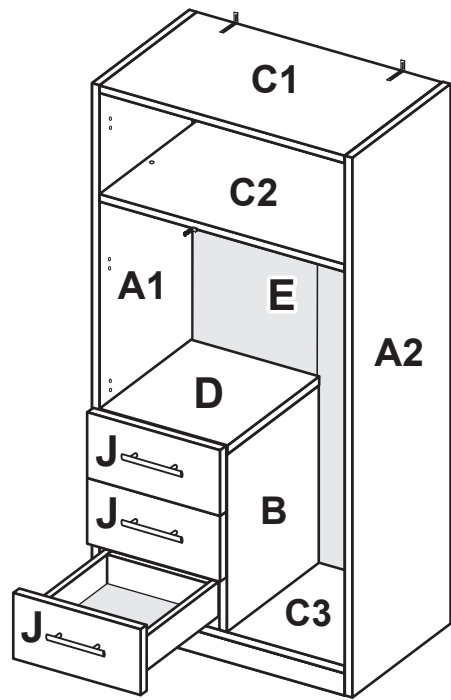
x3

26

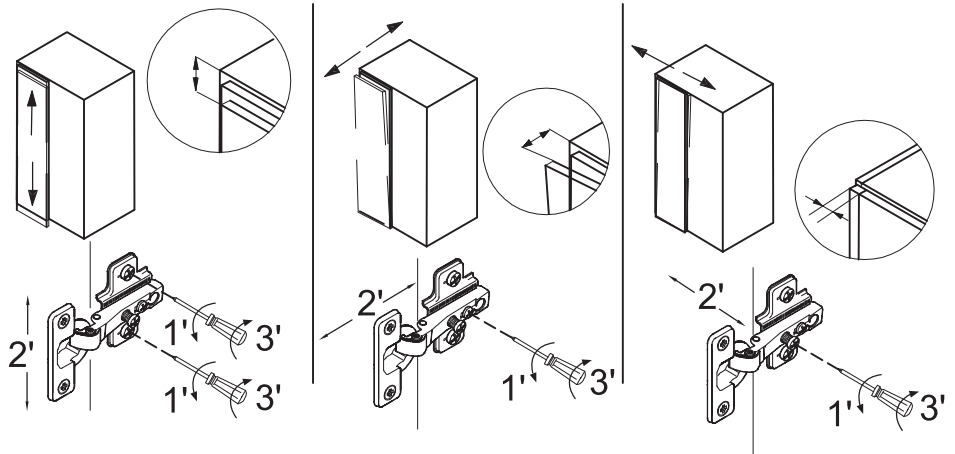
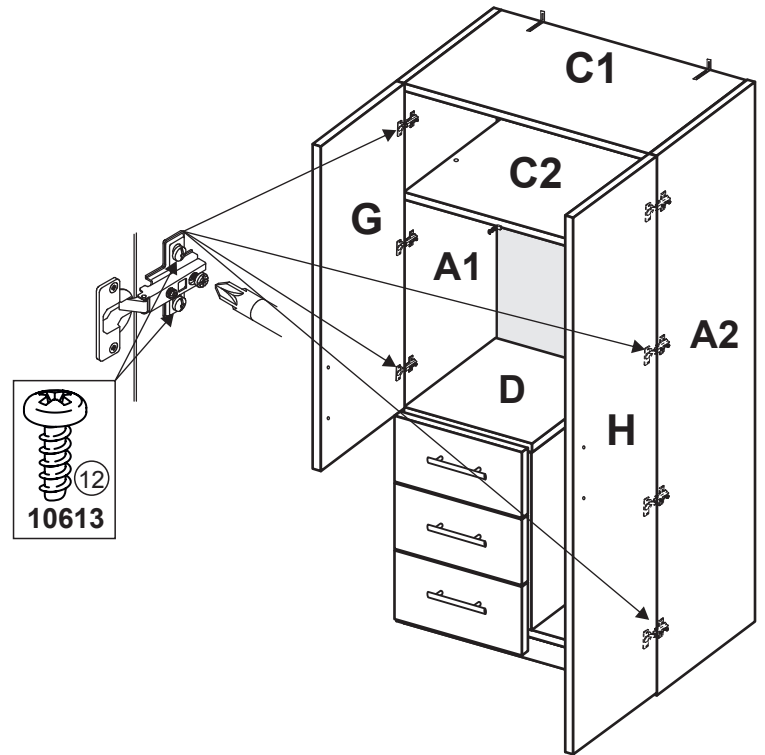
10419

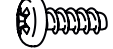
- | | | | | | | | | | | | | | | | | |
|---|-------|---|-------|-----|-------|----|-------|---------|-------|----|-------|----|---------|-----|----|----|
| 5 | x6 | 1 | Ø8x30 | x24 | 6 | x6 | 3 | Ø6,4x50 | x6 | 22 | x3 | 26 | Ø4.2x19 | x12 | 25 | x6 |
| | 11002 | | 21008 | | 11016 | | 07650 | | 19012 | | 10419 | | 00212 | | | |

17

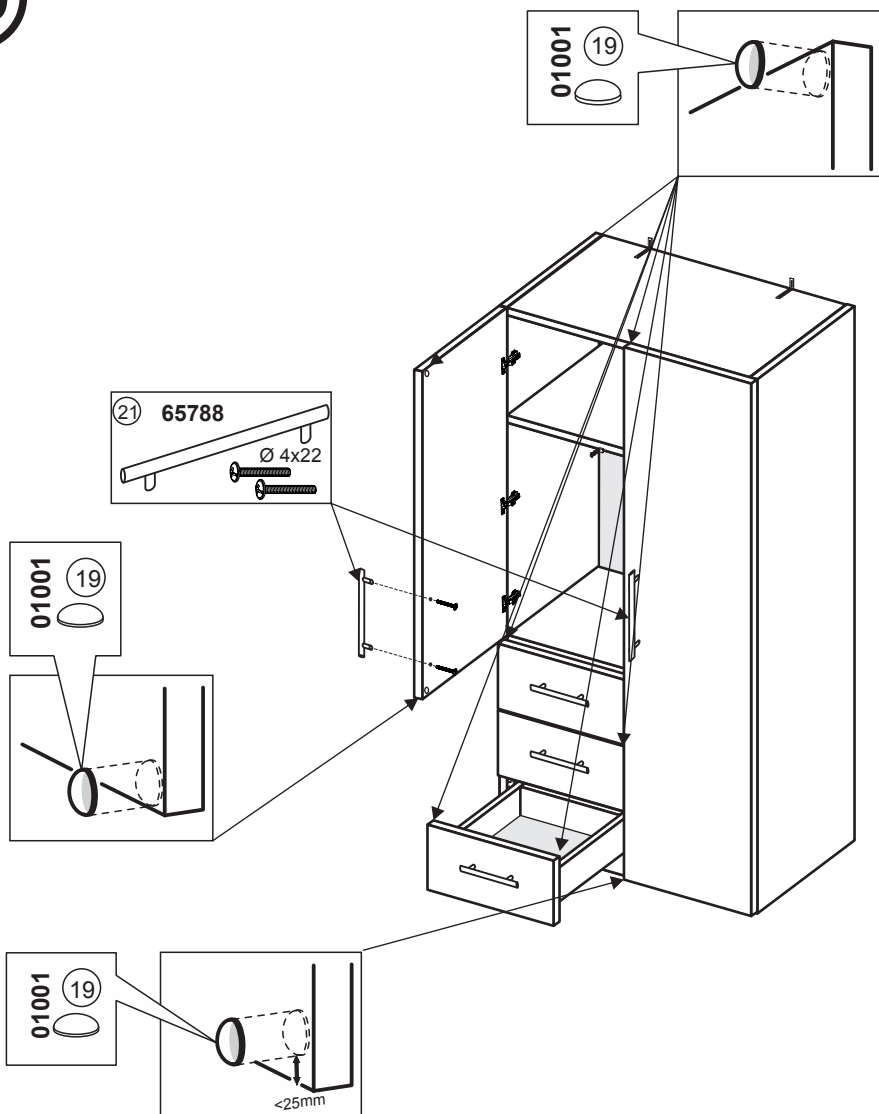



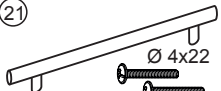

18



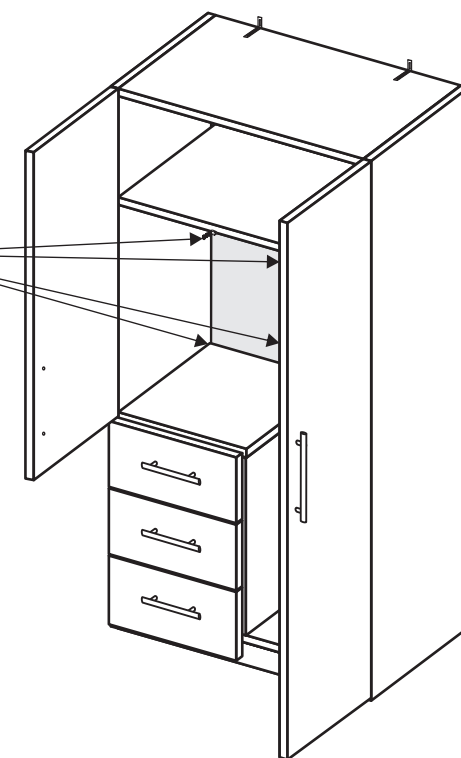
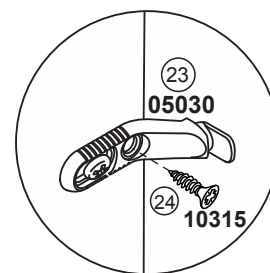
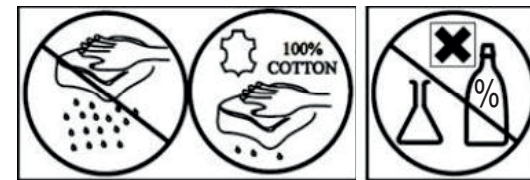
12 Ø6.3x13 x14

 10613


19



- (19)  x10
- (21)  x3
- 01001  65788

20



- (24)  Ø 3.5x15 x4
- 10315