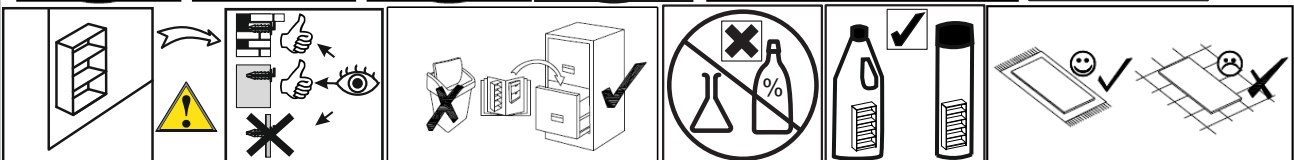
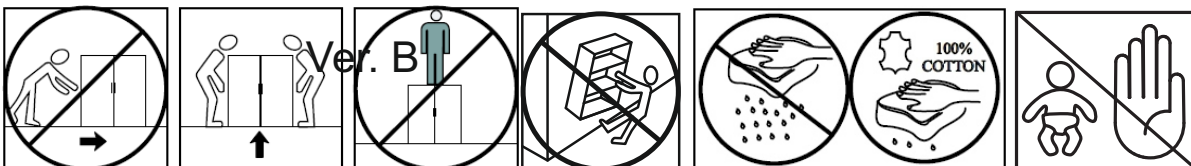
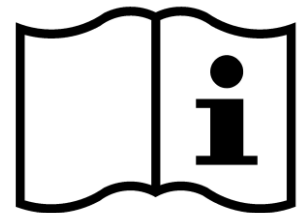
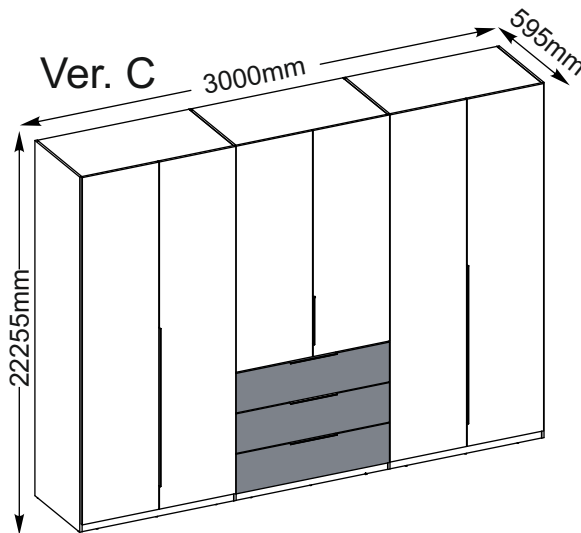
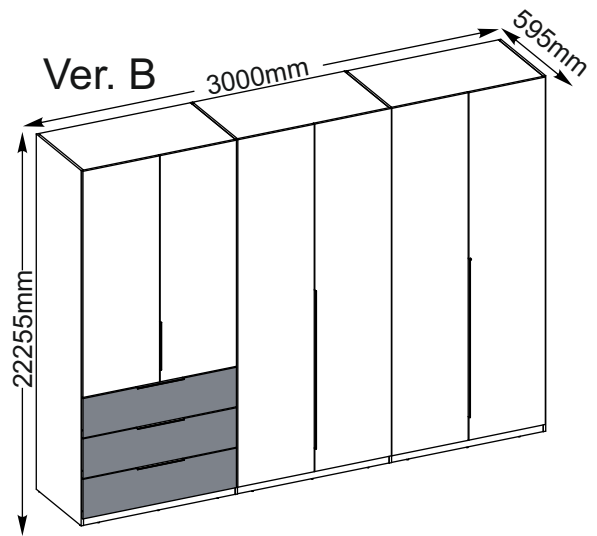
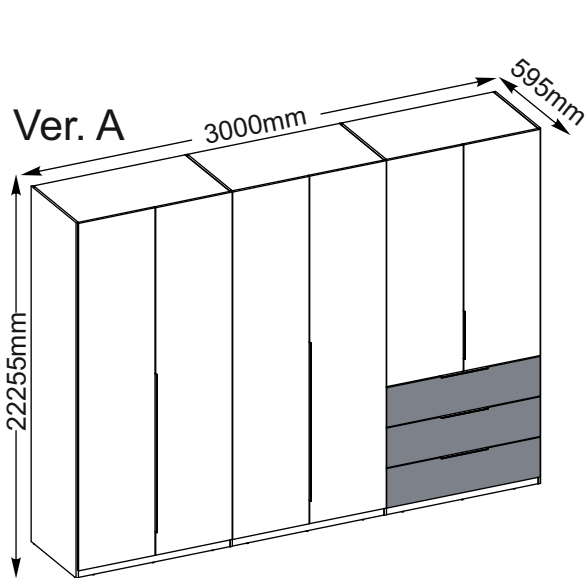
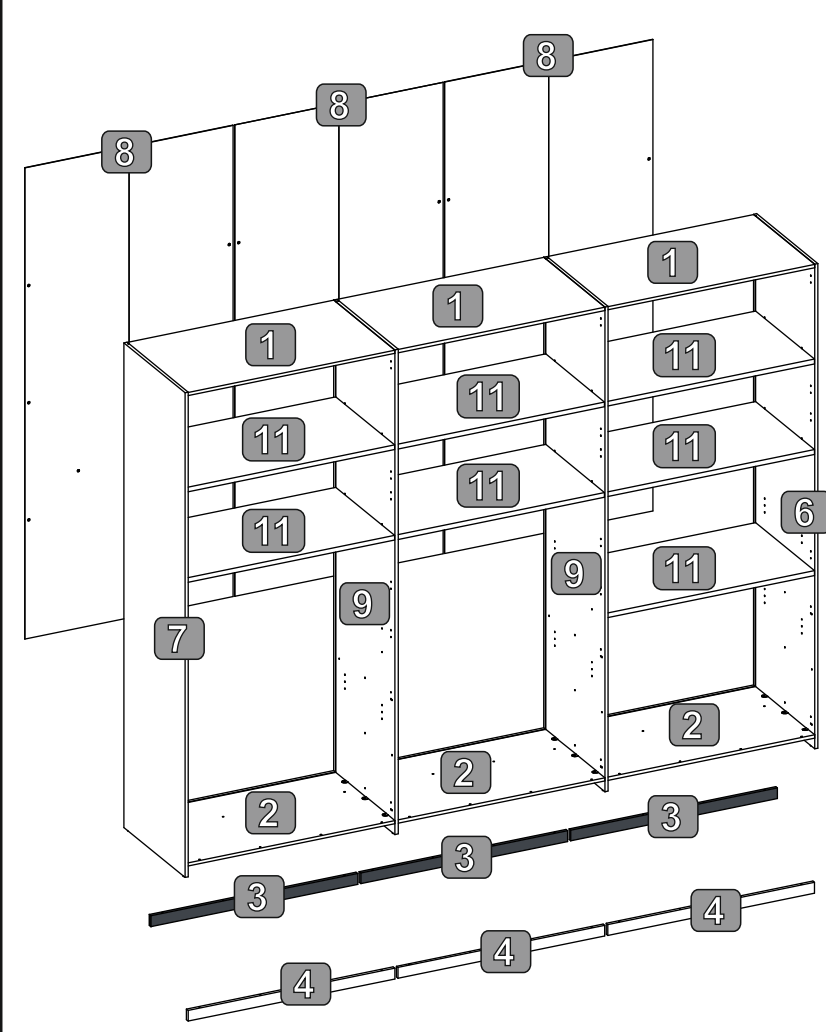
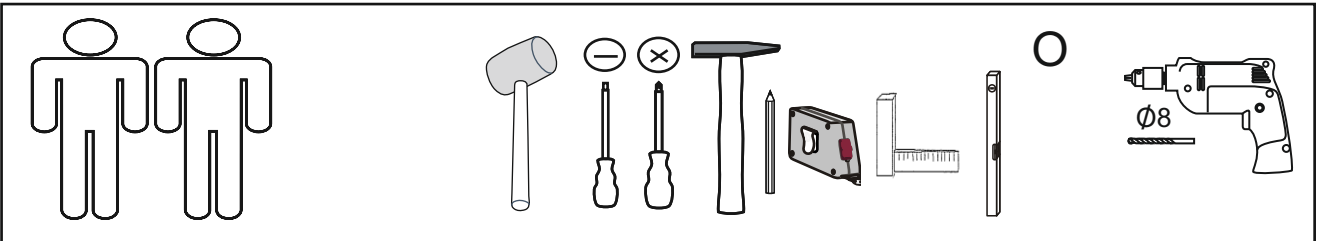
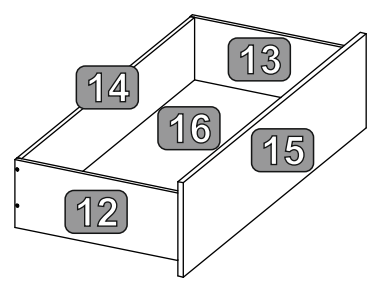
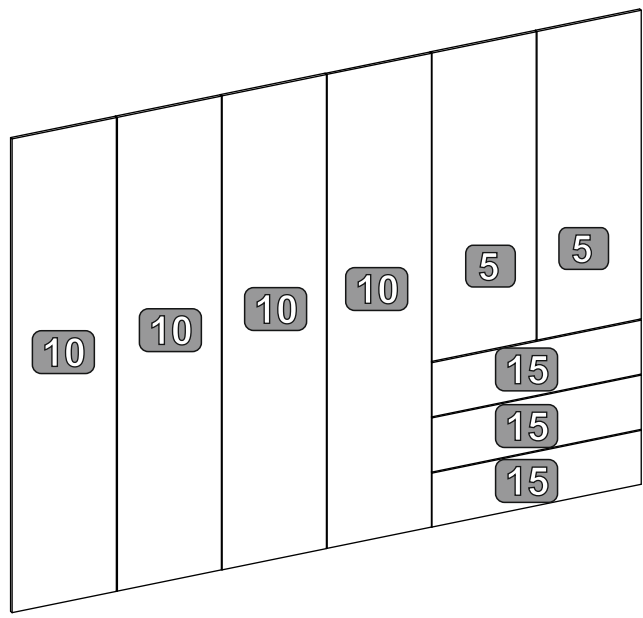


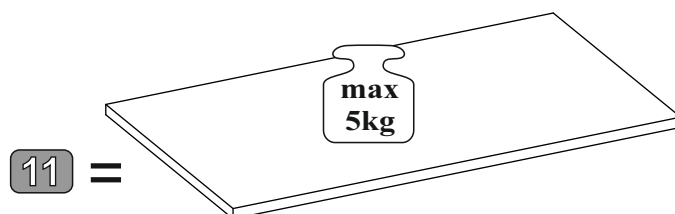
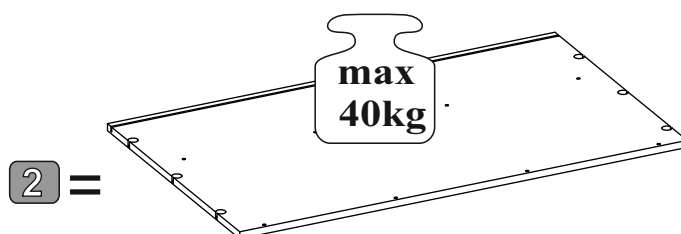
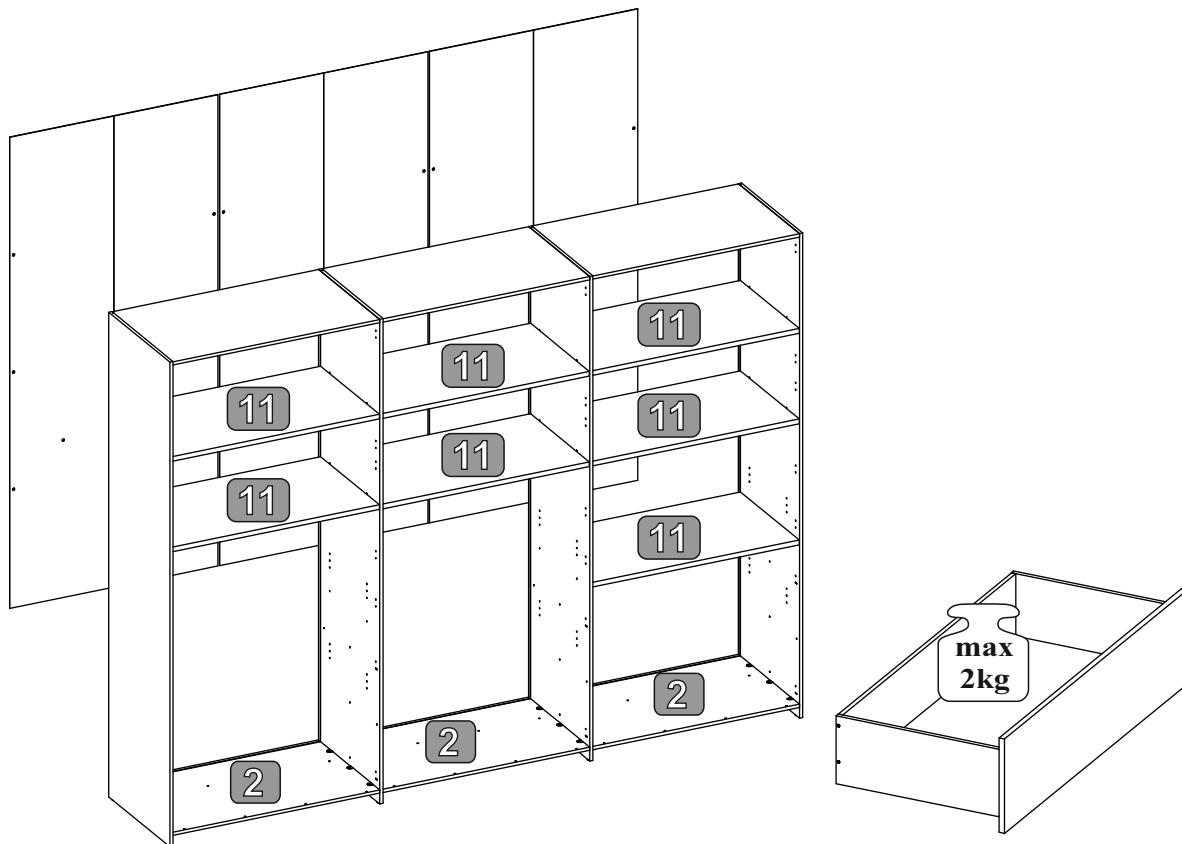
schlafkontor@bega-consult.de



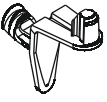
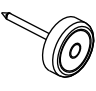

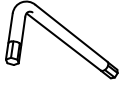
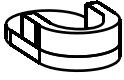

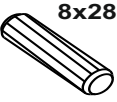

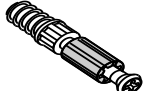





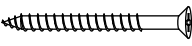


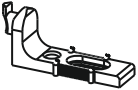

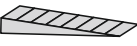


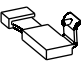
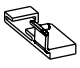


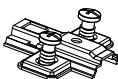

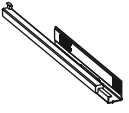



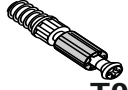
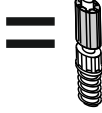





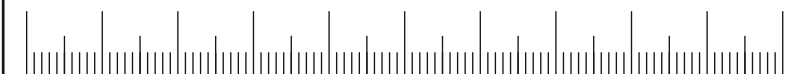
NR	DIM	QTE	COLLI
1	980x579,5x15	3	1/10;2/10
2	980x579,5x15	3	1/10
3	980x50x15	3	2/10
4	980x50x15	3	2/10
5	1432x494x15	2	2/10;5/10
6	2250x580x15	1	3/10
7	2250x580x15	1	3/10
8	2188x987x2	3	4/10
9	2250x580x15	2	4/10;5/10
10	2200x494x15	4	6/10;7/10
11	980x558x22	7	8/10;9/10;10/10
12	450x180x12	3	10/10
13	450x180x12	3	10/10
14	940x180x12	3	10/10
15	992x251x15	3	10/10
16	951x450x2	3	10/10






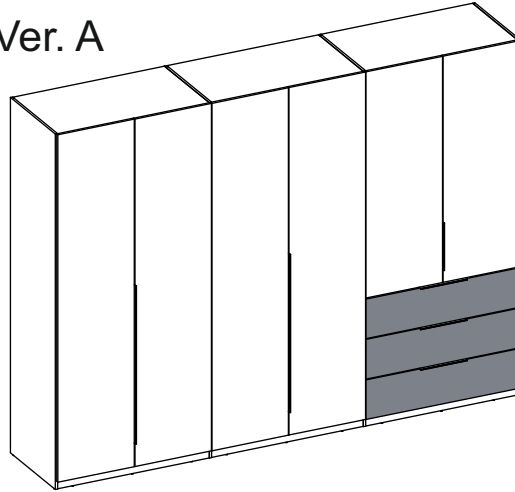
 36x T04	 6,3x9,5 20x W20	 28x E07	 26x S01	 5x40 36x W16	 L3 2x K02
 4x E03	 3 x13 22x W03	 8x28 24x D01	 12x9,5 12x T12	 12x T01	 3,5x16 52x W30
 6x11 12x W12	 3,5x13 52x W02	 2x F13	 2x F01	 2x F11	 4x13 4x W07
 36x T05	 20x R02	 12x R01	 4x KL2	 Ø13 24x C02b	 Ø20 12x C02a
 3x B12L	 3x B12R	 L-300 4x U68	 Ø35 KR-8 26x Z26	 26x Z21	 3x P09L
 3x P09R	 6x Ws1	 L-975 2x J01	 L-1000 2x U69	  	

0 10 20 30 40 50 60 70 80 90 100




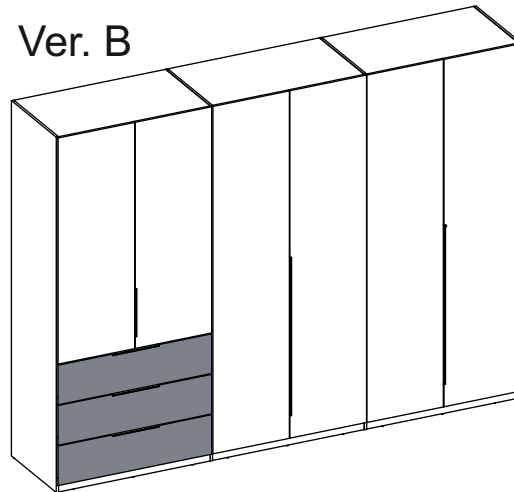
Ver. A

 9/65-29/65




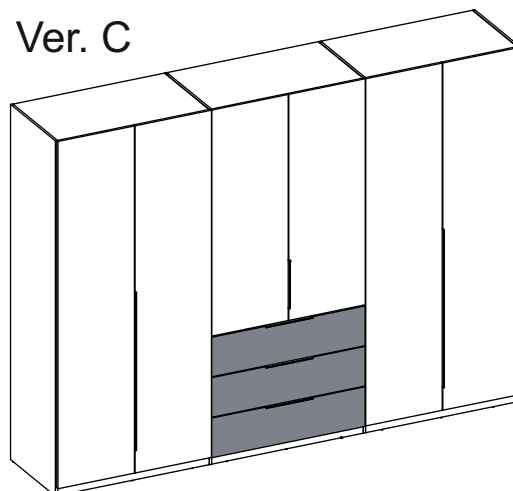
Ver. B

 30/65-50/65



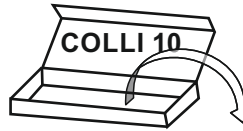
Ver. C

 51/65-64/65

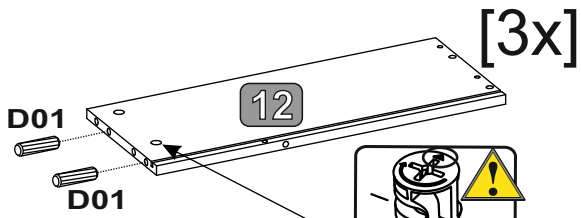
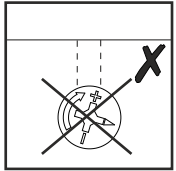
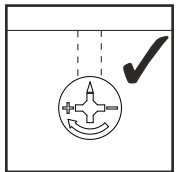
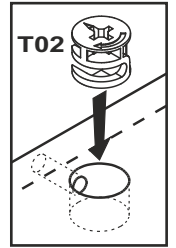


3

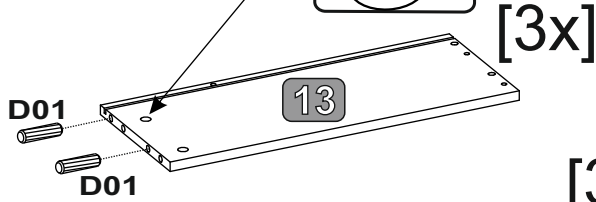
8x28 24x D01		12x T01		12x9,5 12x T12	
--------------------	--	------------	--	----------------------	--



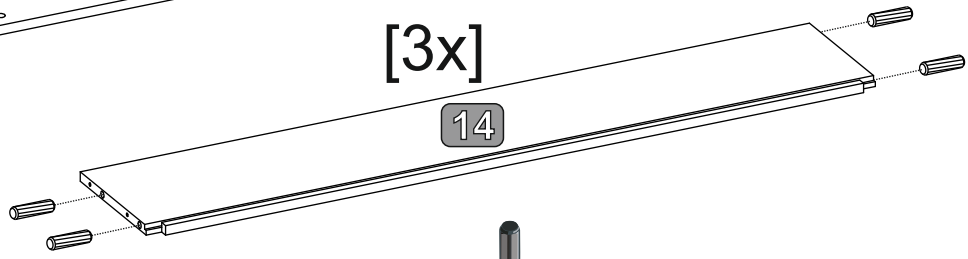
12 13 14 15 16



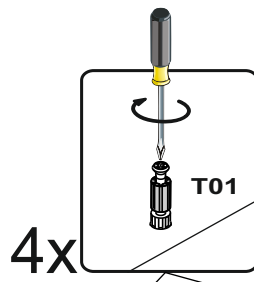
[3x]



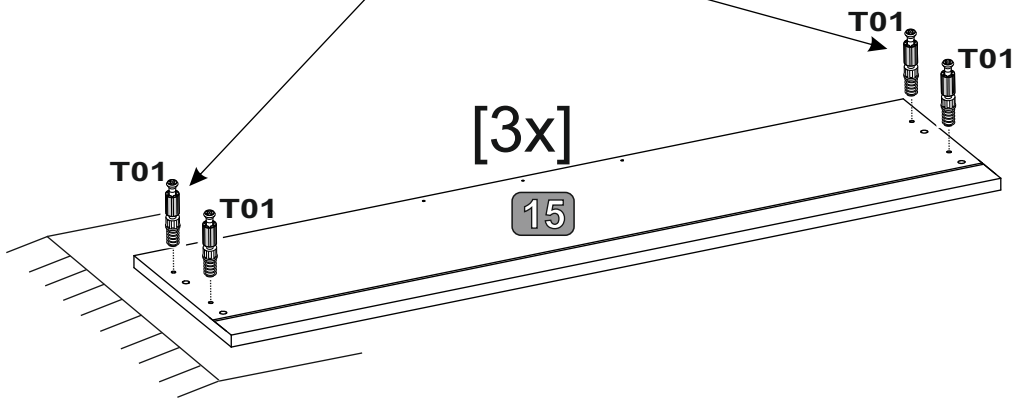
[3x]



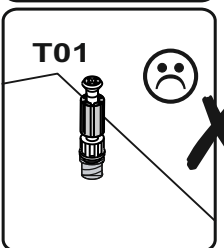
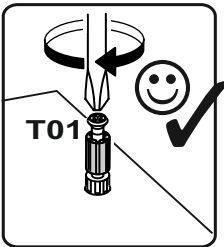
[3x]



4x

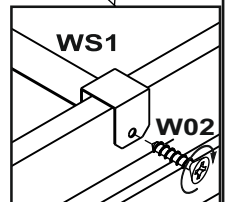
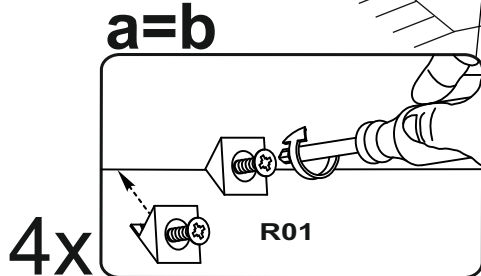
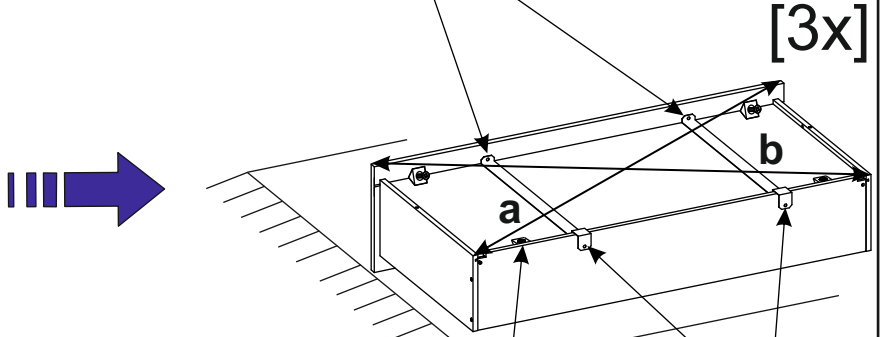
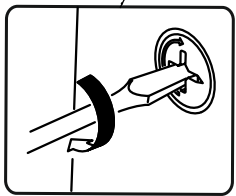
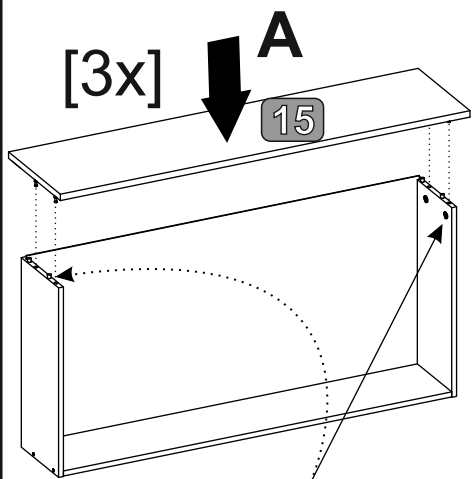
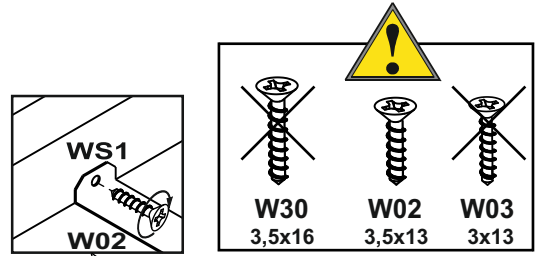
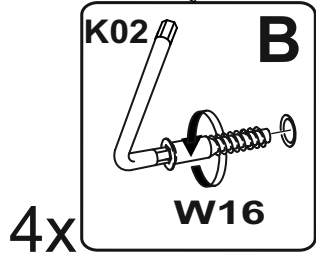
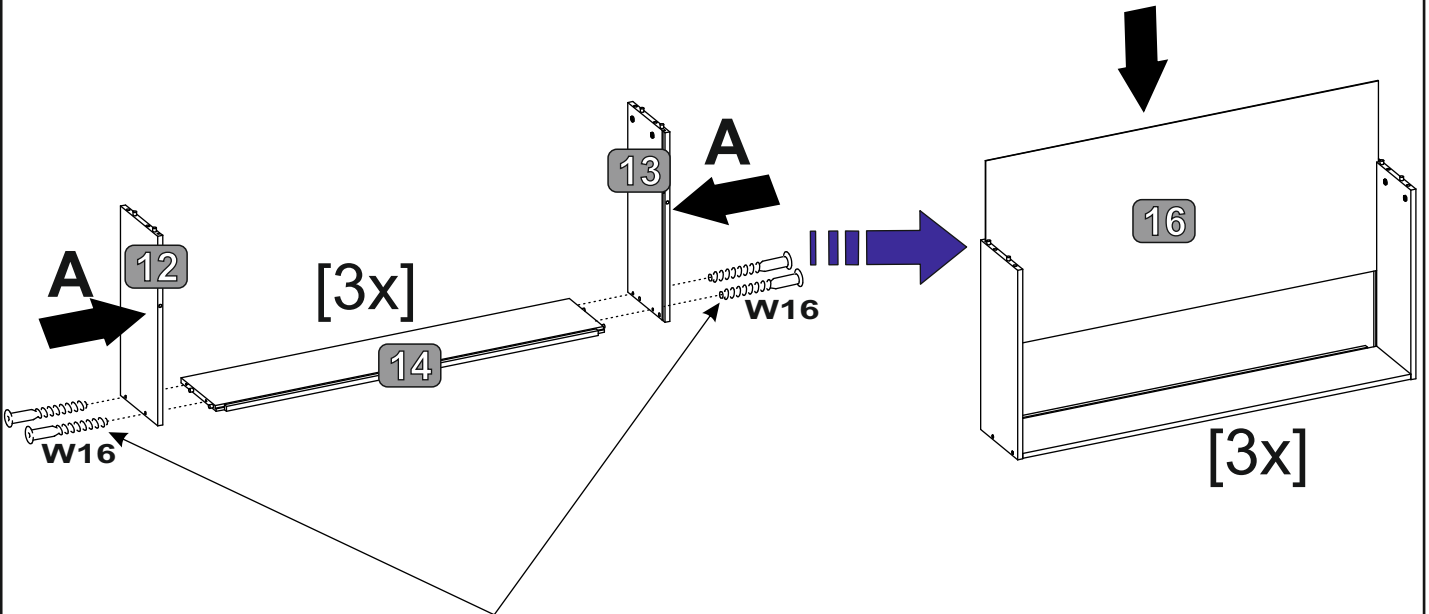


[3x]

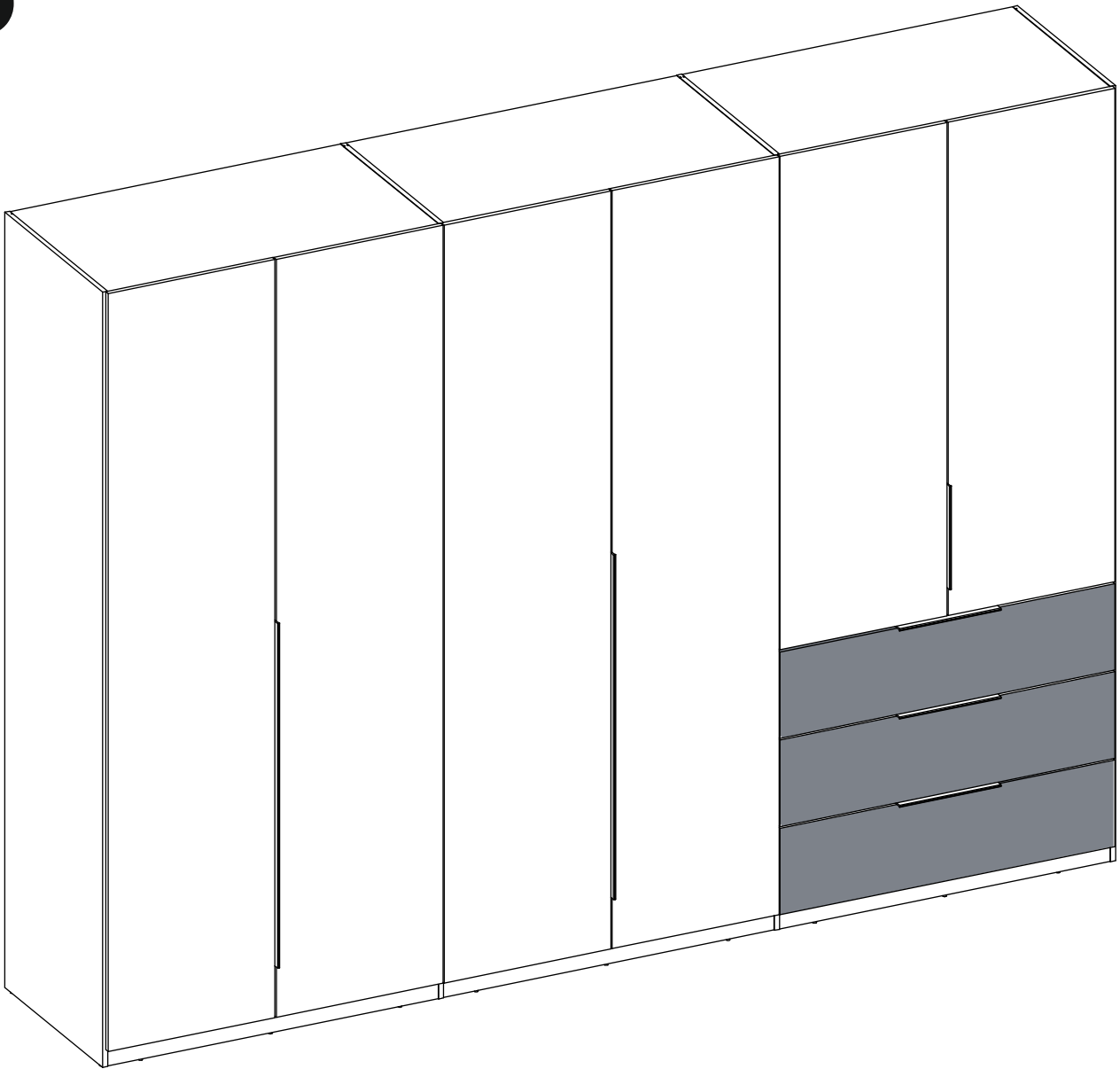


4

5x40	L3			3,5x13
12x W16	1x K02	12x R01	6x Ws1	12x W02



5



Ver. A 9/65-29/65

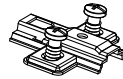
6



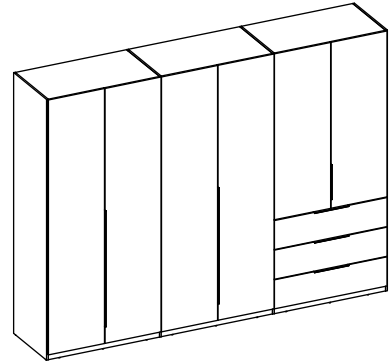
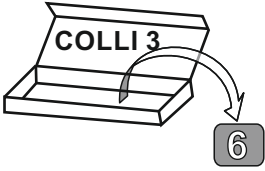
6x T04



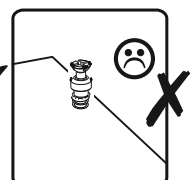
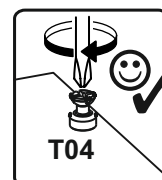
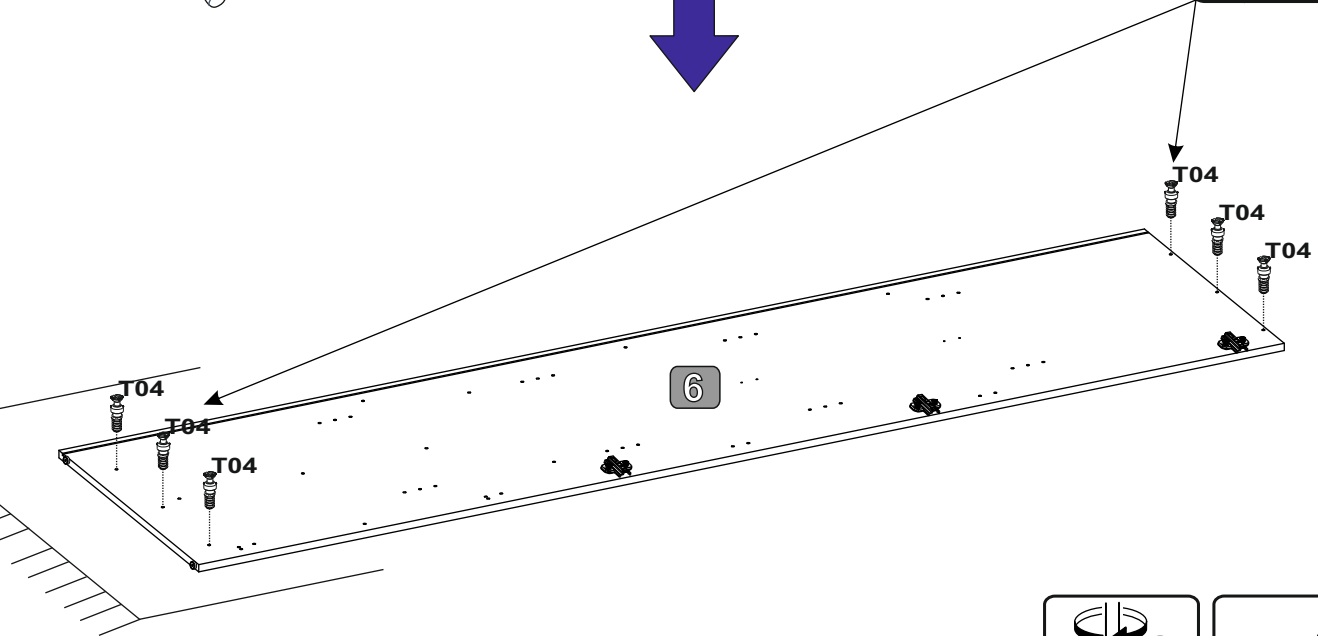
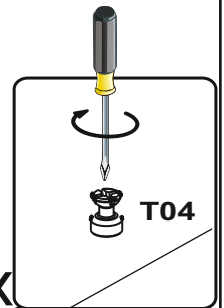
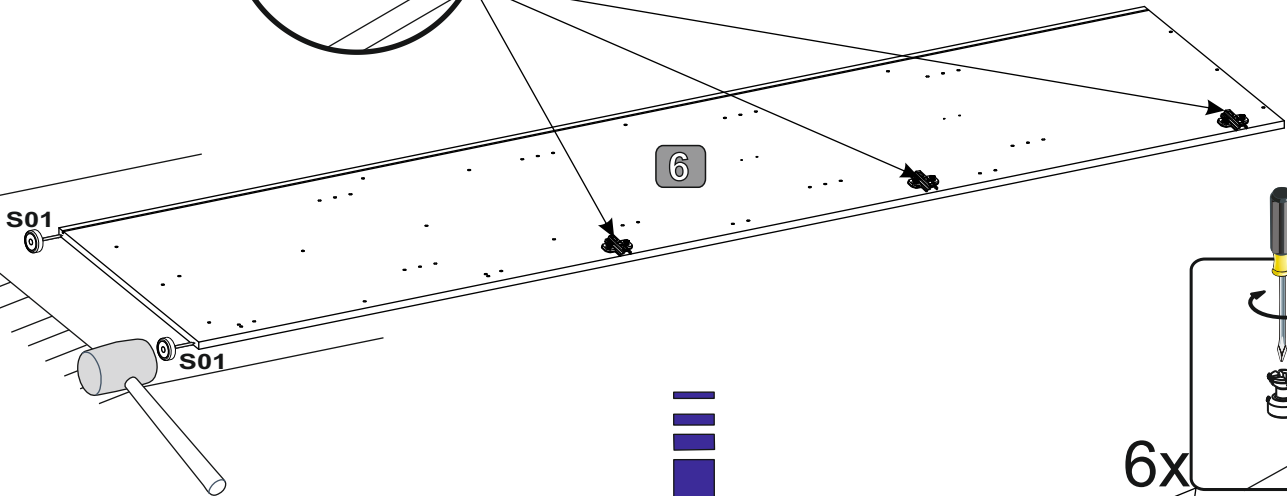
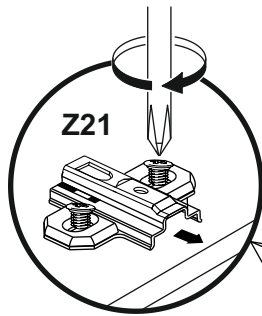
2x S01



3x Z21

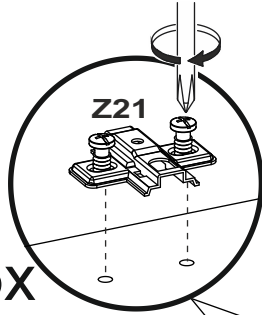
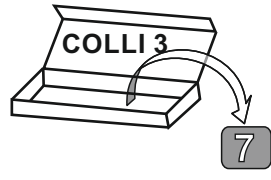


Ver. A 8/52-28/52

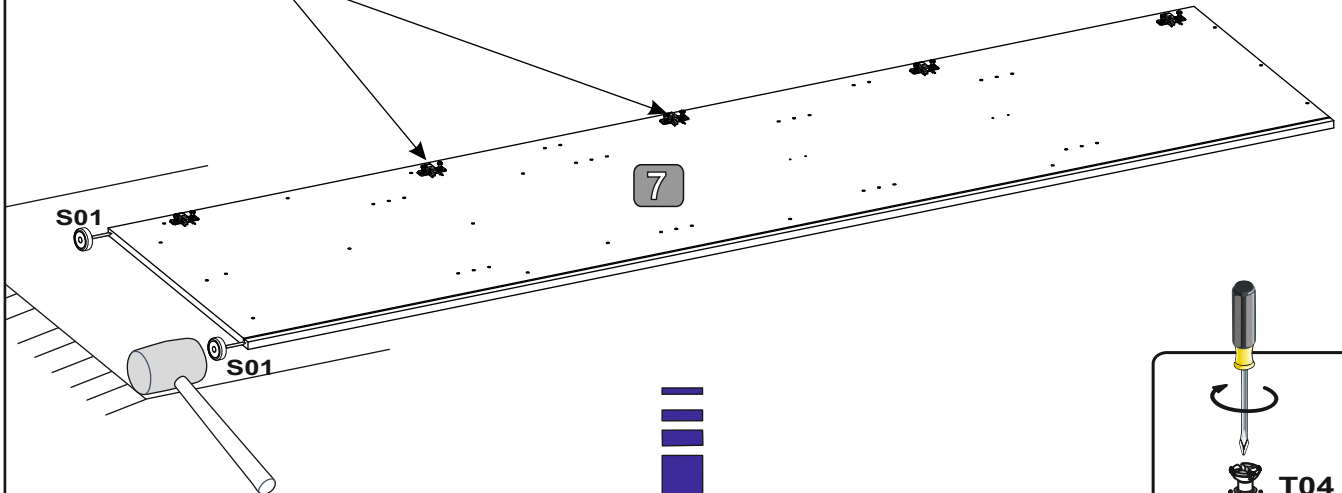


7

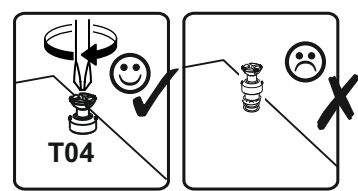
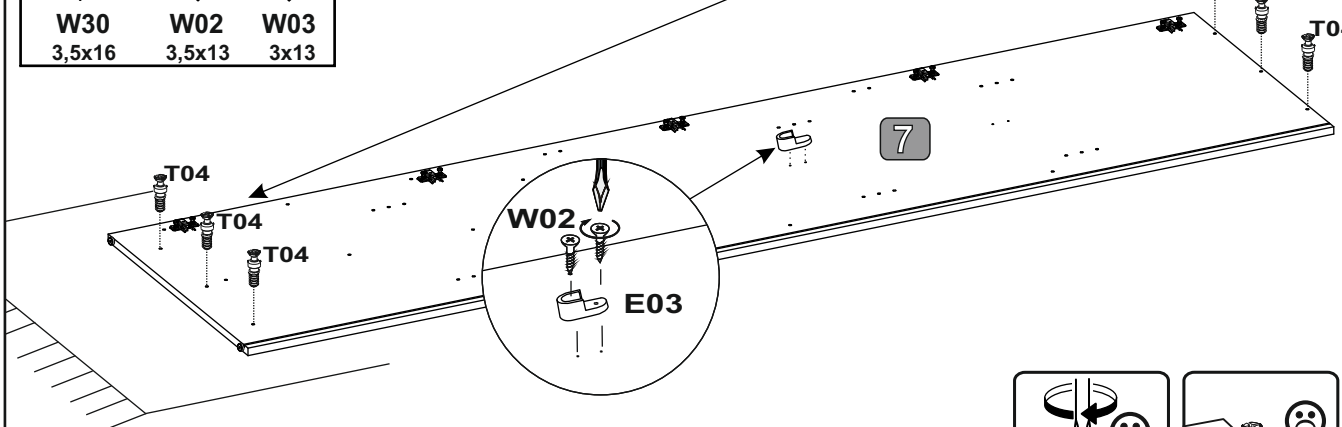
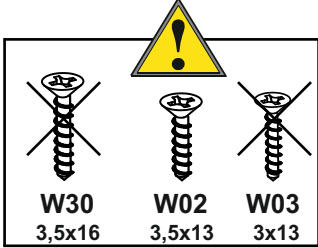
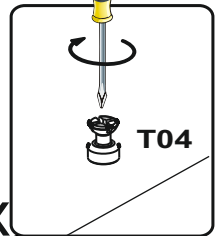
6x T04	2x S01	1x E03
2x W02	5x Z21	



5x

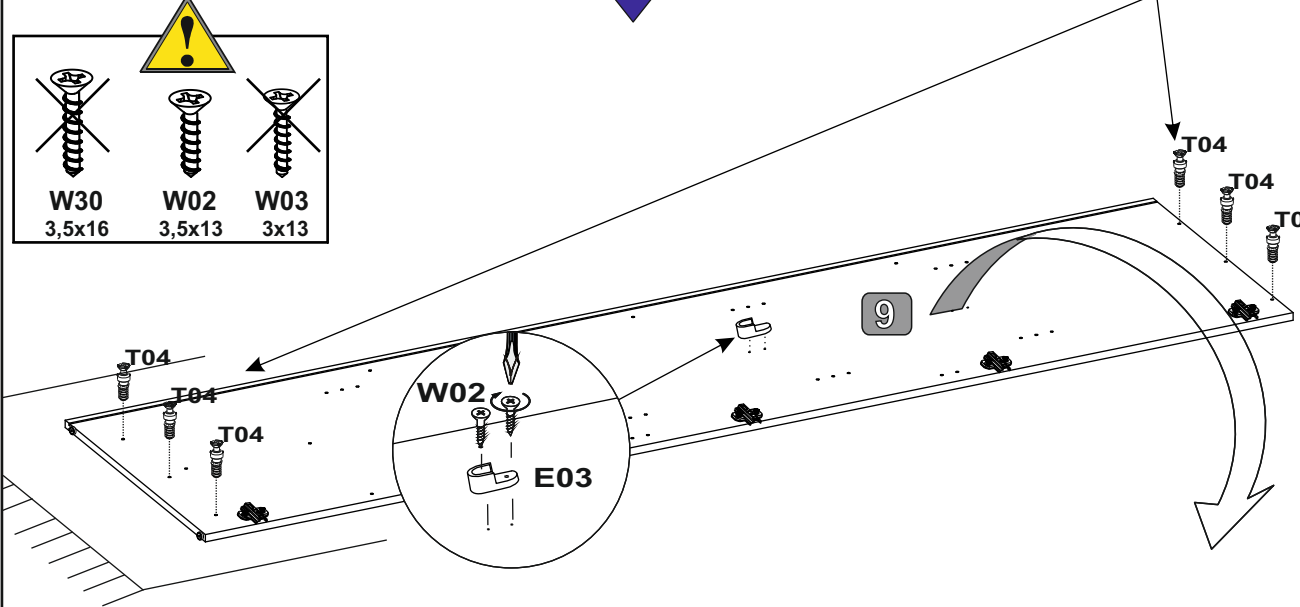
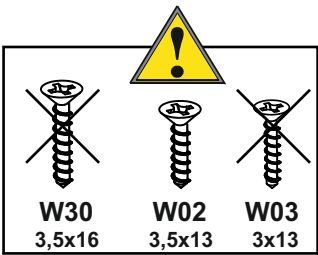
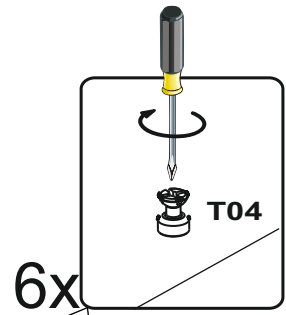
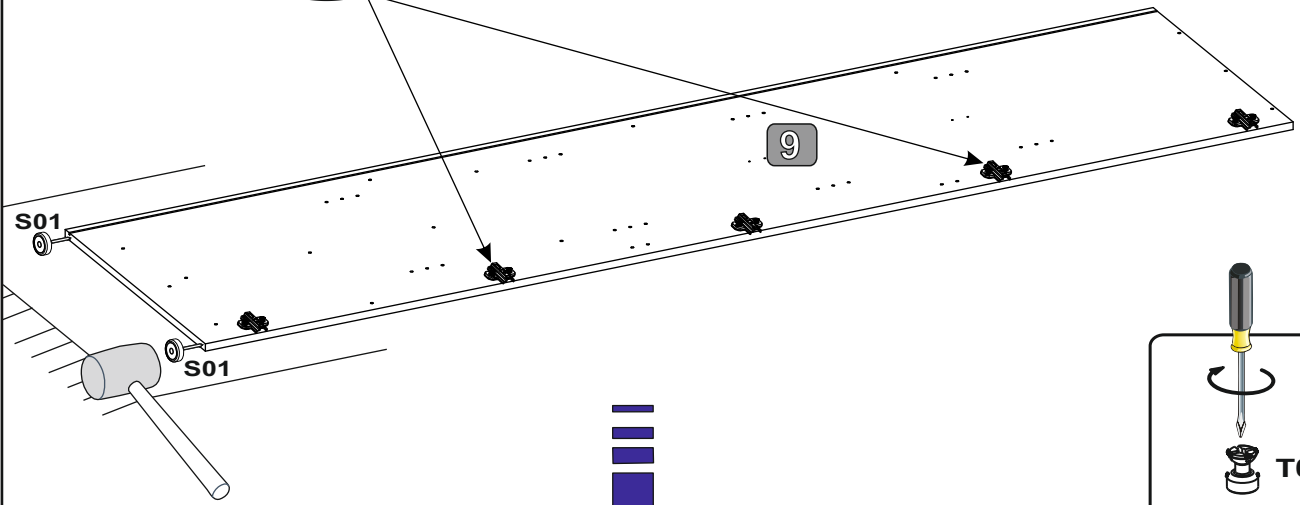
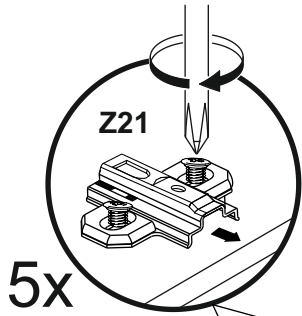
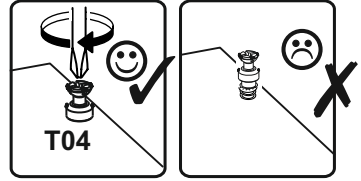


6x


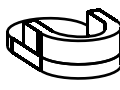

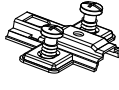


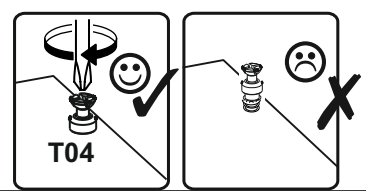
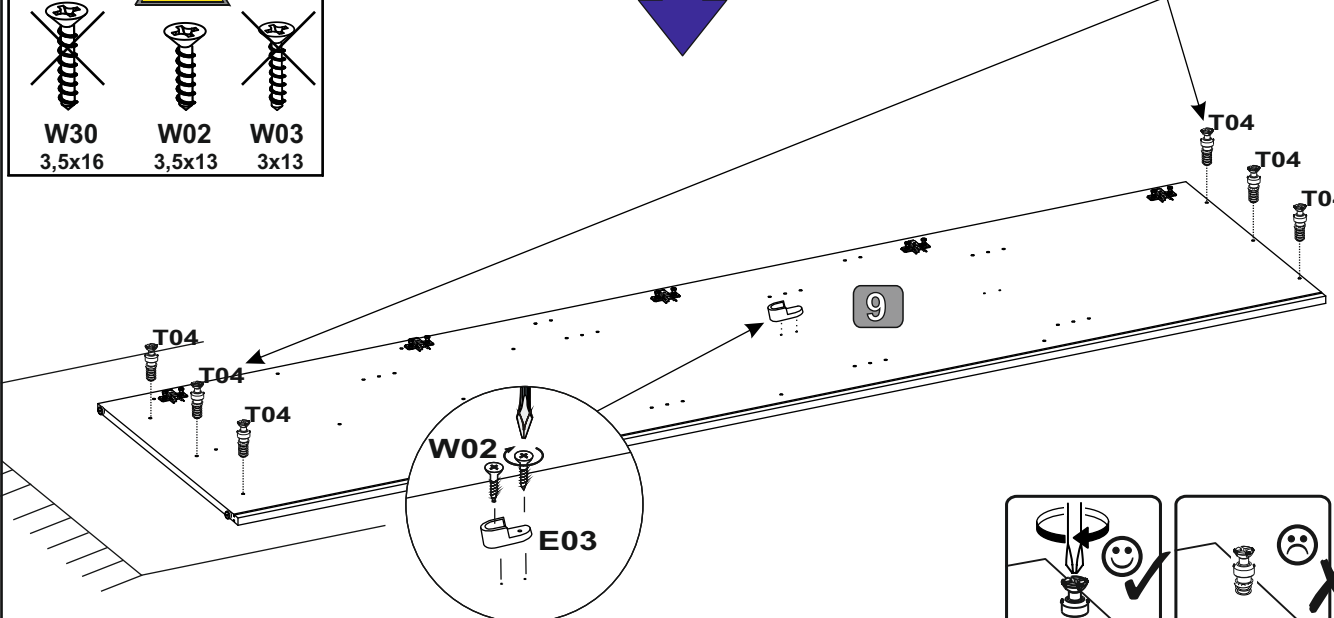
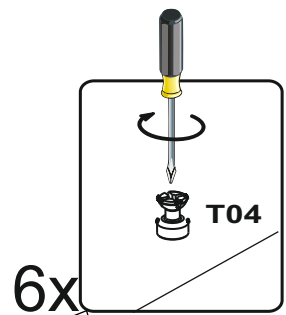
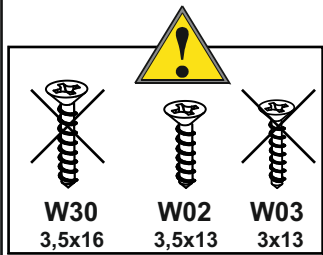
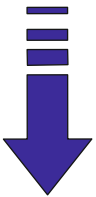
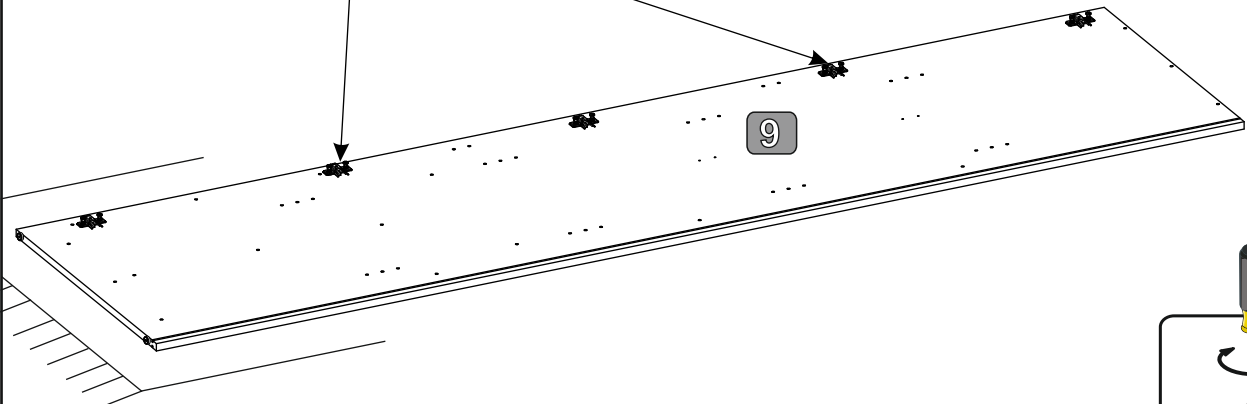
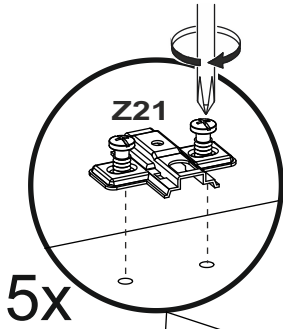
8

6x T04 3,5x13	2x S01	1x E03
2x W02	5x Z21	COLLI 4



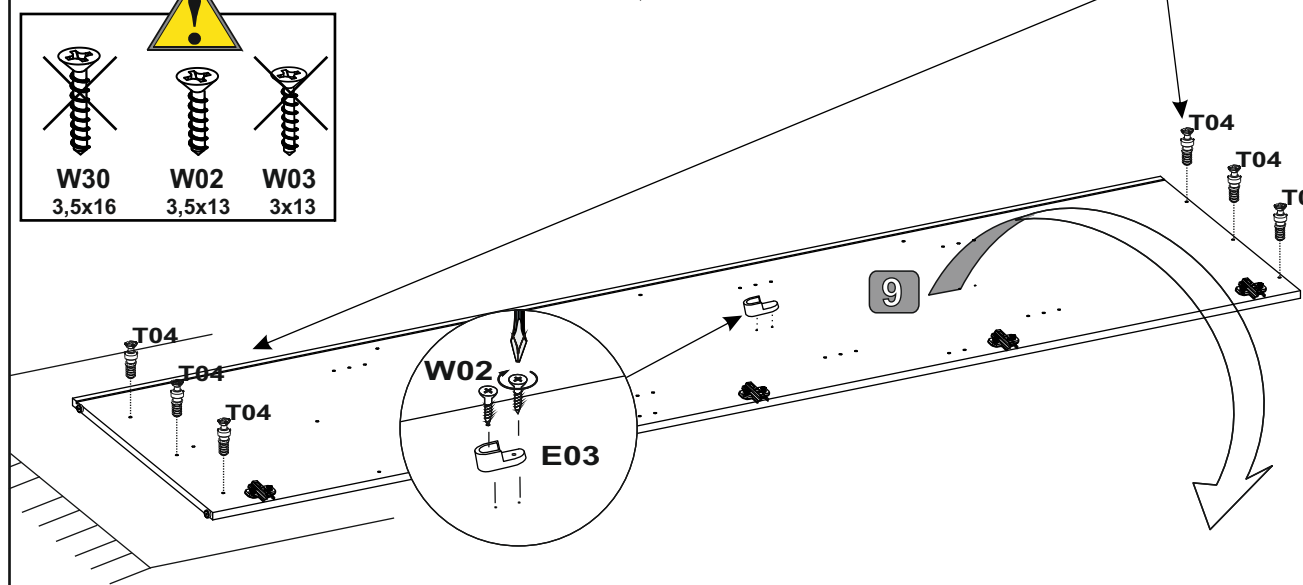
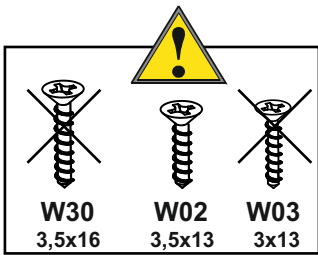
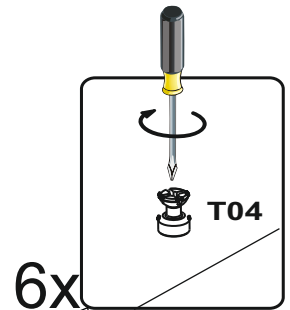
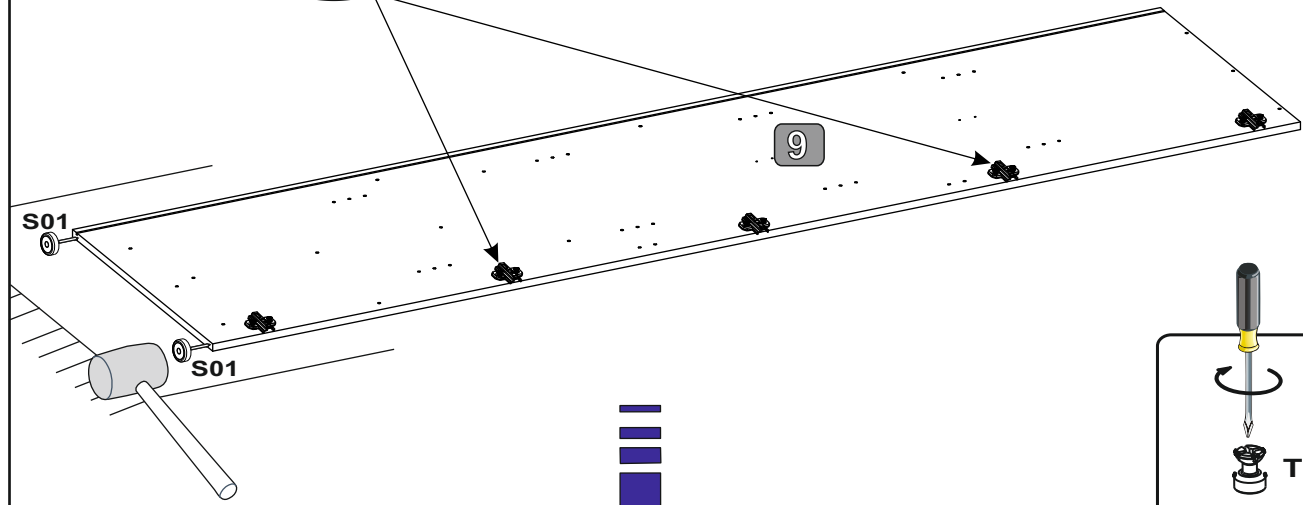
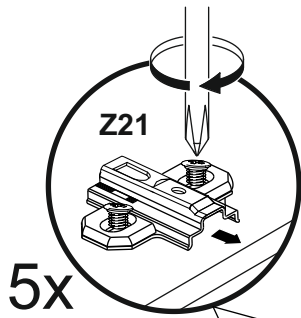
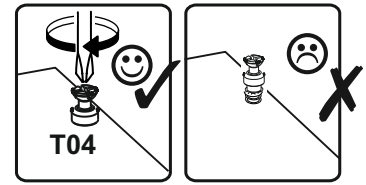
9

6x T04	1x E03	2x W02	3,5x13
			
			
			
5x Z21			
			



10

6x T04 3,5x13	2x S01	1x E03
2x W02	5x Z21	COLLI 5

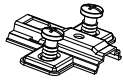


11



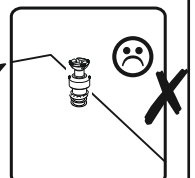
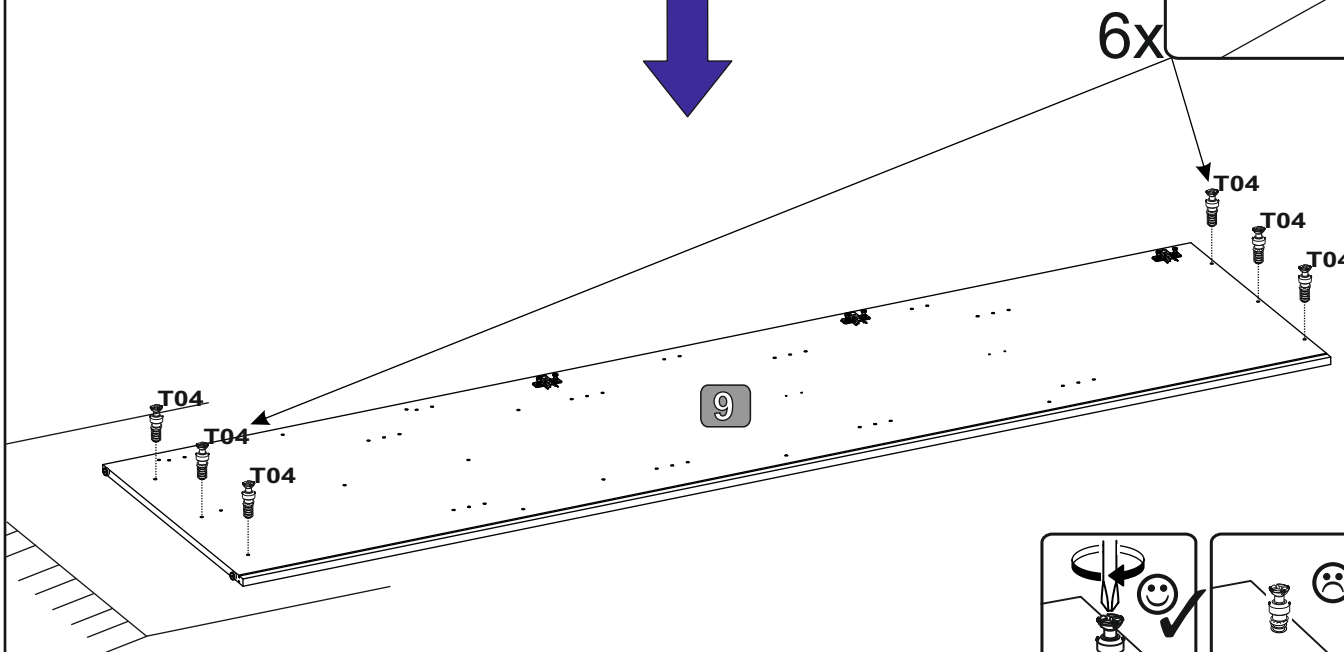
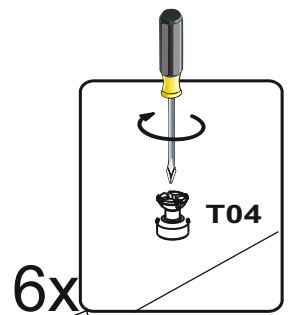
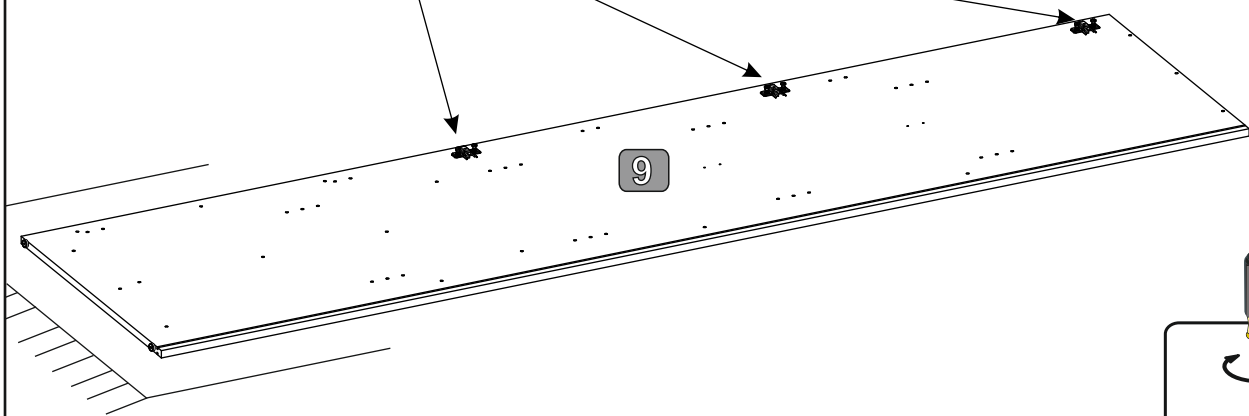
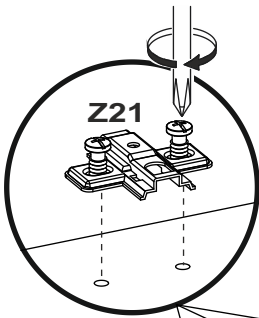
6x

T04

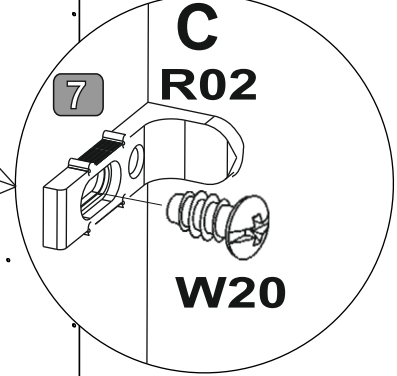
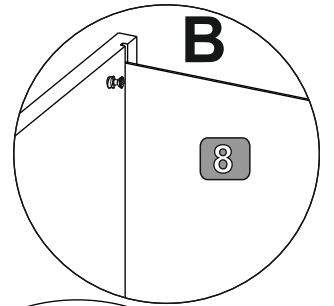
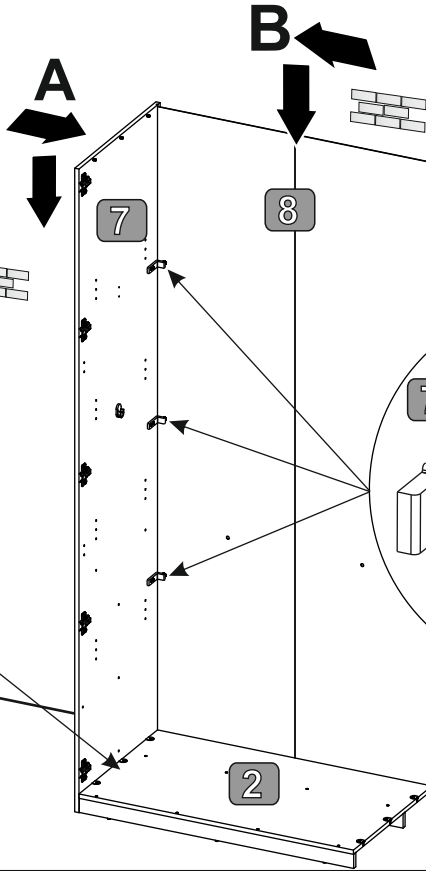
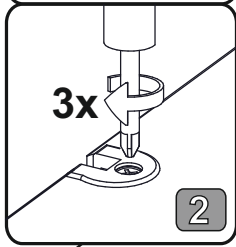
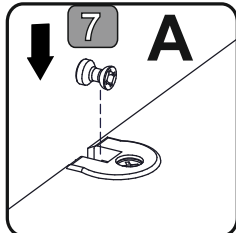
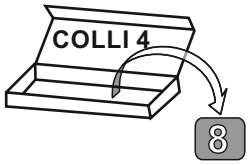
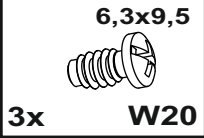
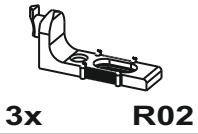


3x

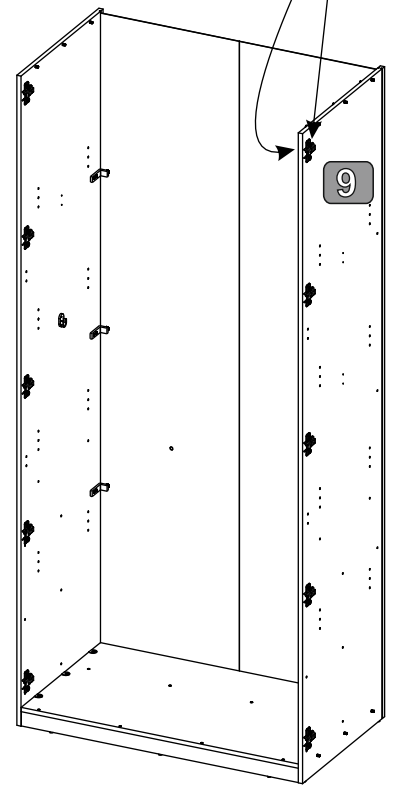
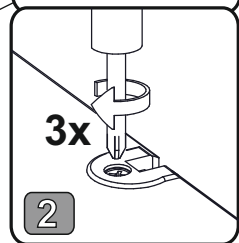
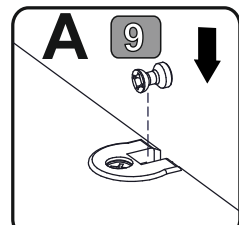
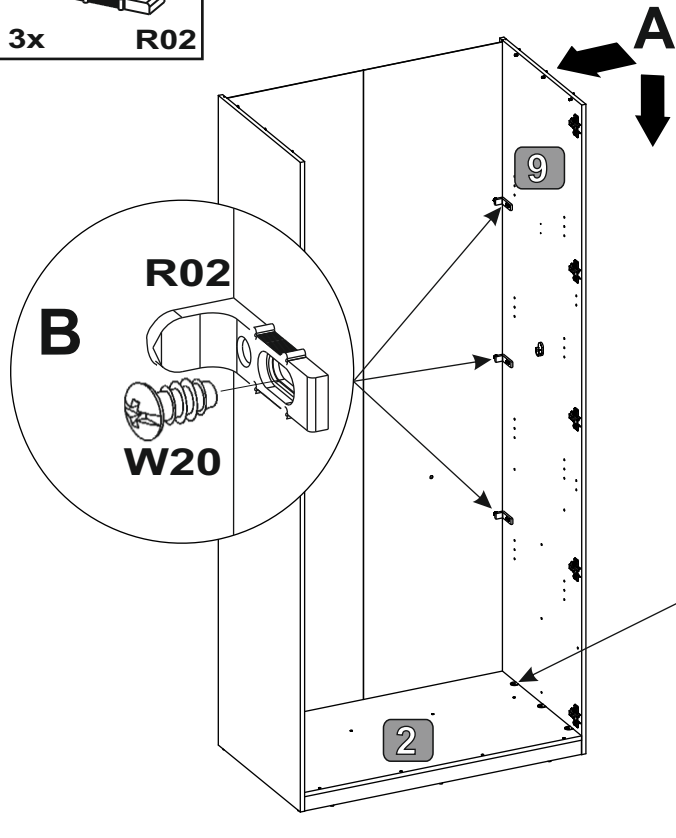
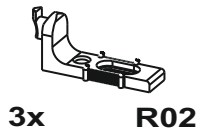
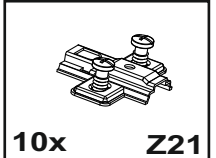
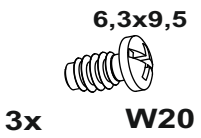
Z21



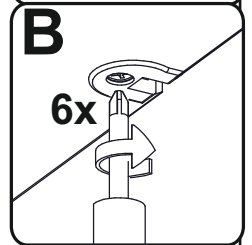
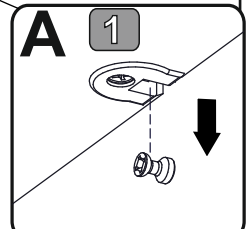
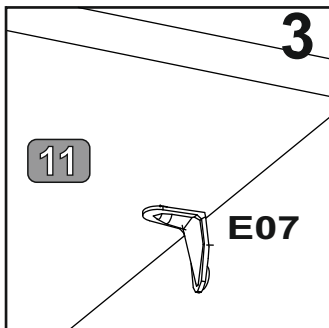
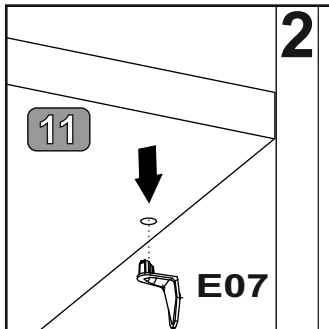
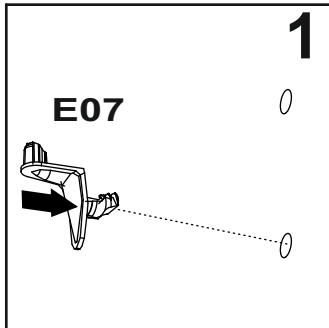
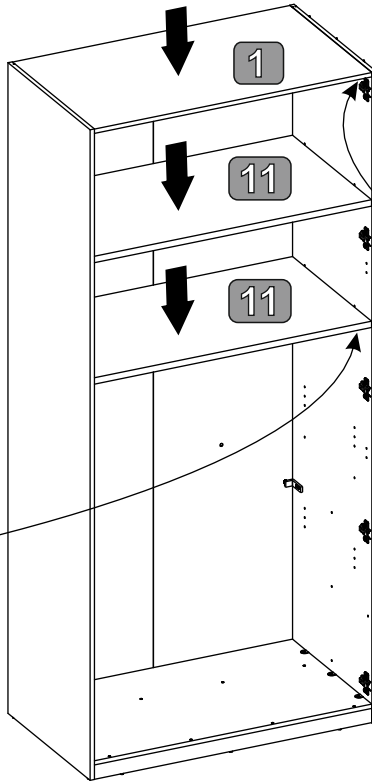
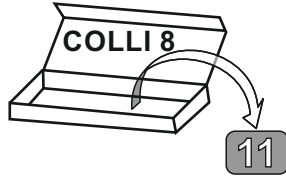
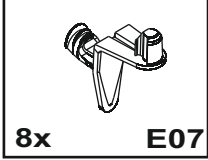
12



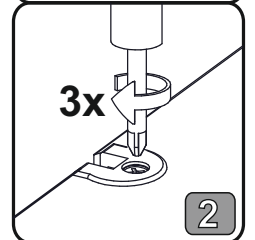
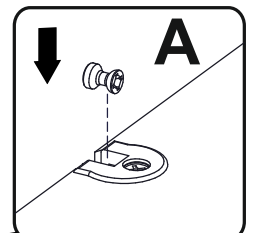
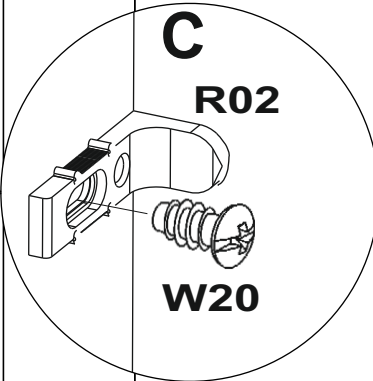
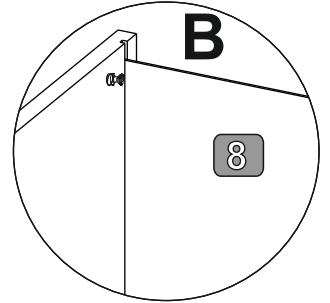
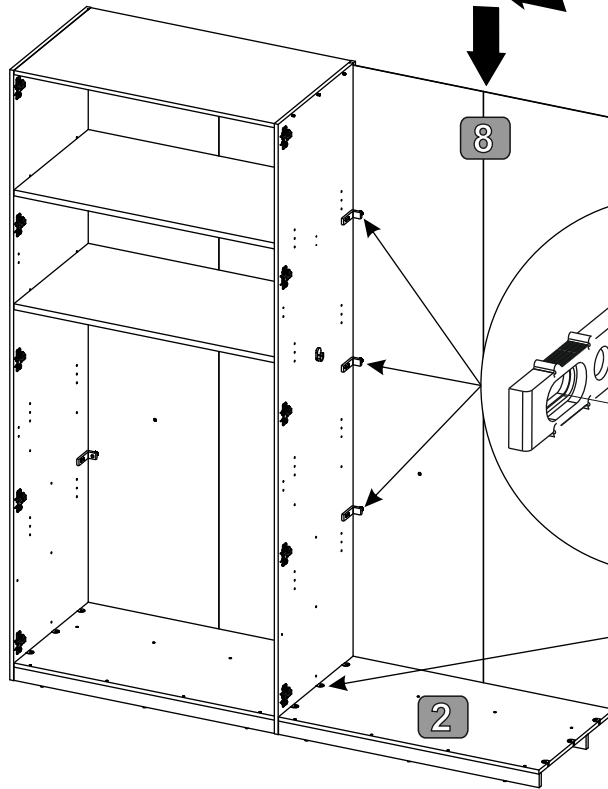
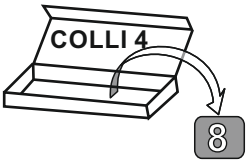
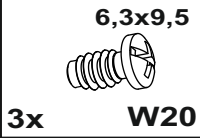
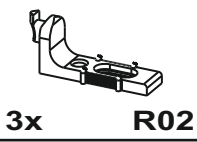
13



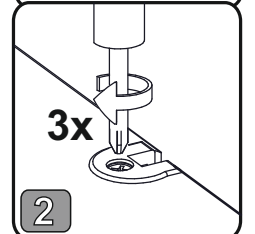
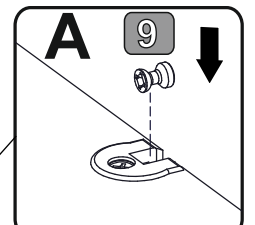
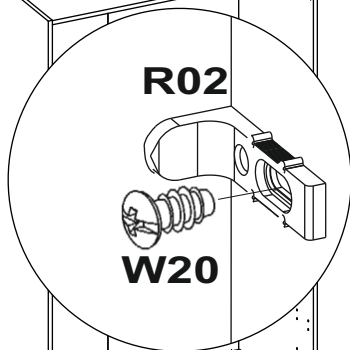
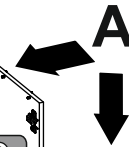
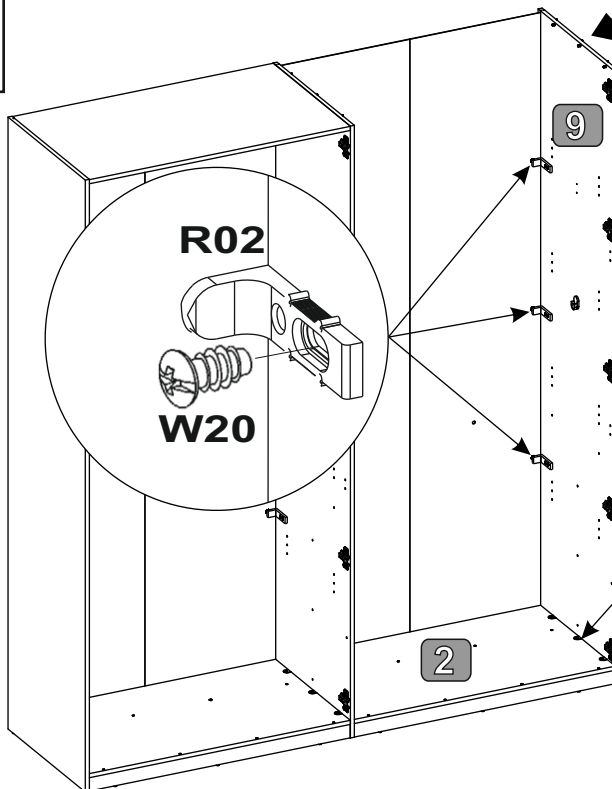
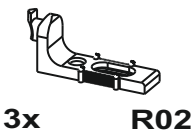
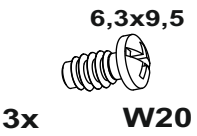
14



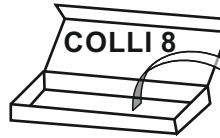
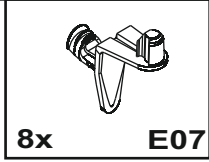
15



16



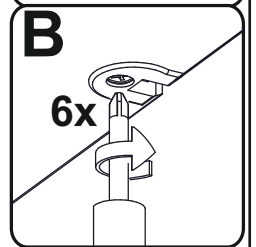
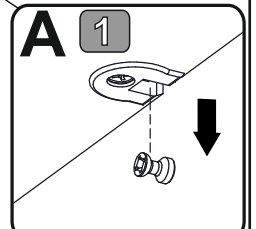
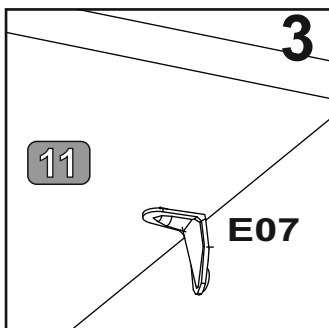
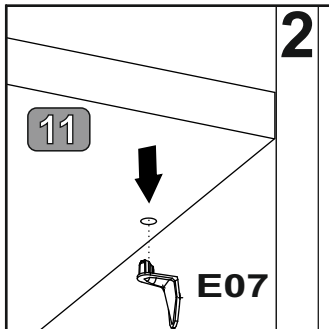
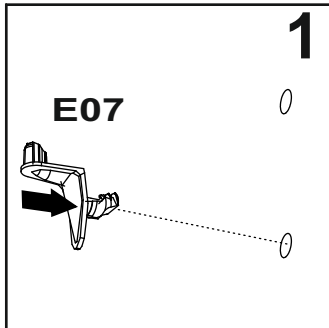
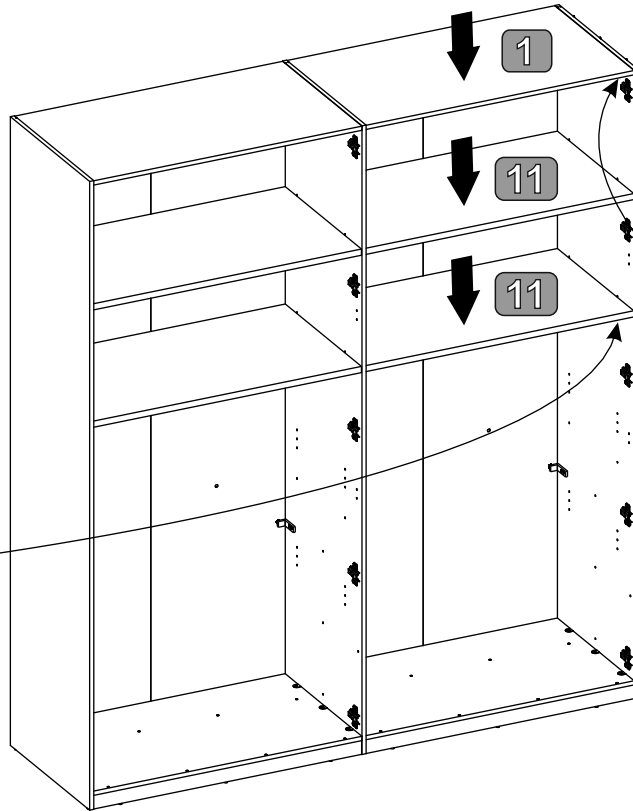
17



11

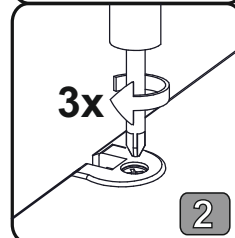
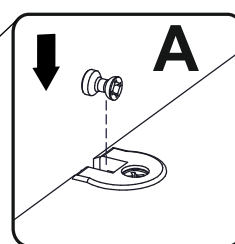
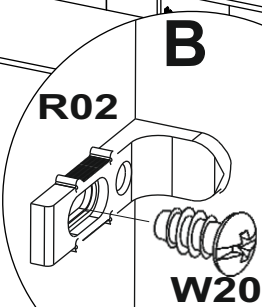
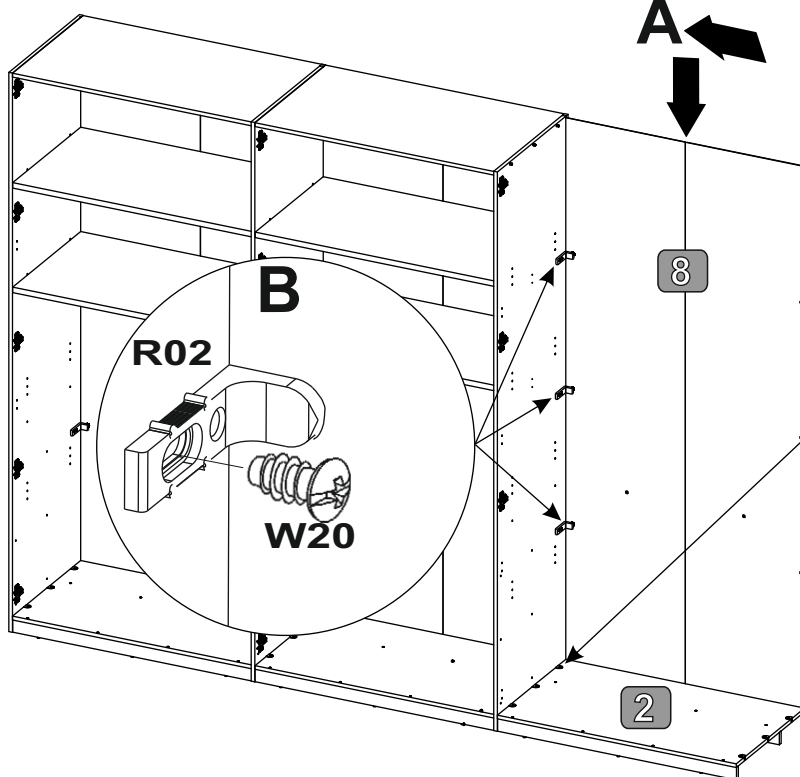
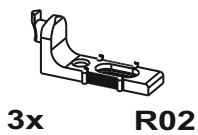
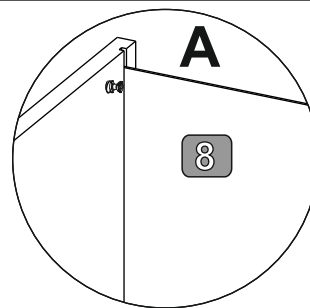
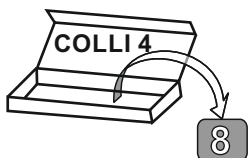


11



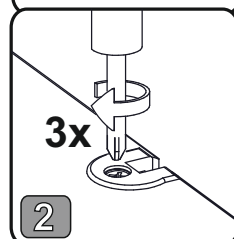
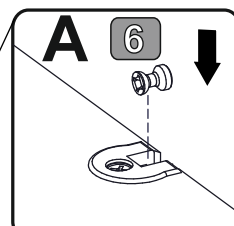
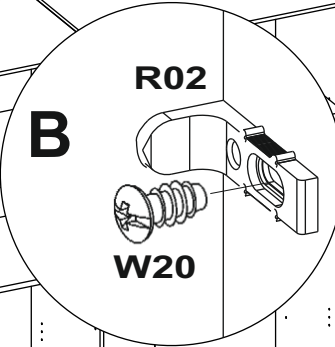
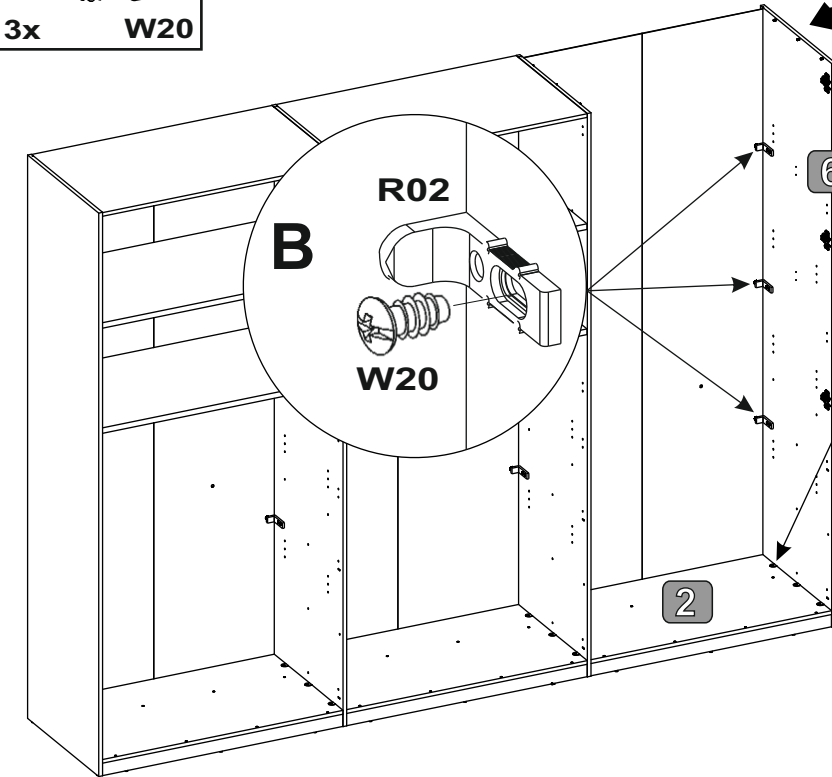
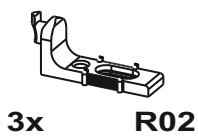
18

6,3x9,5
3x W20

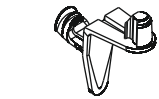


19

6,3x9,5
3x W20

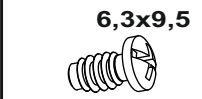


20



12x

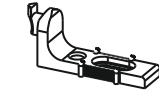
E07



6,3x9,5

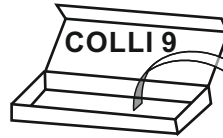
2x

W20

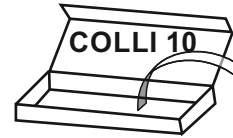


2x

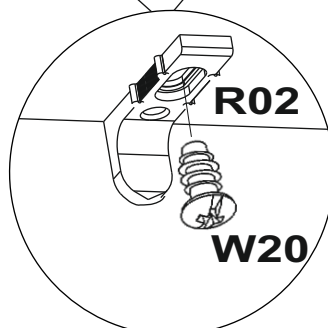
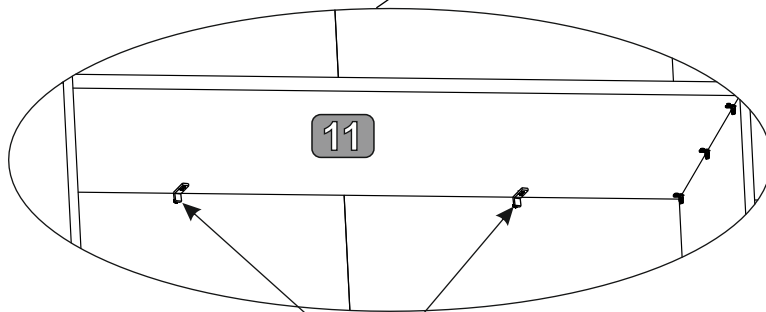
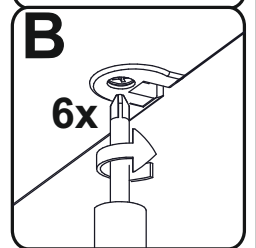
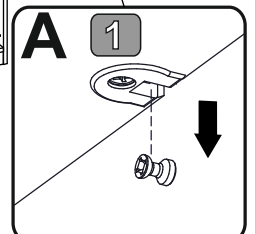
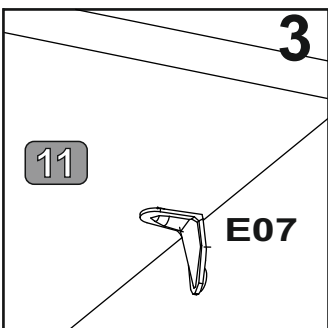
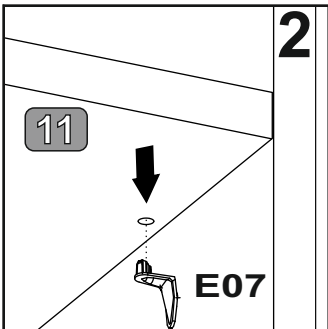
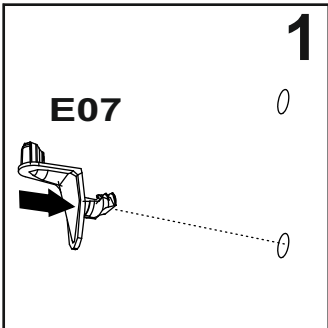
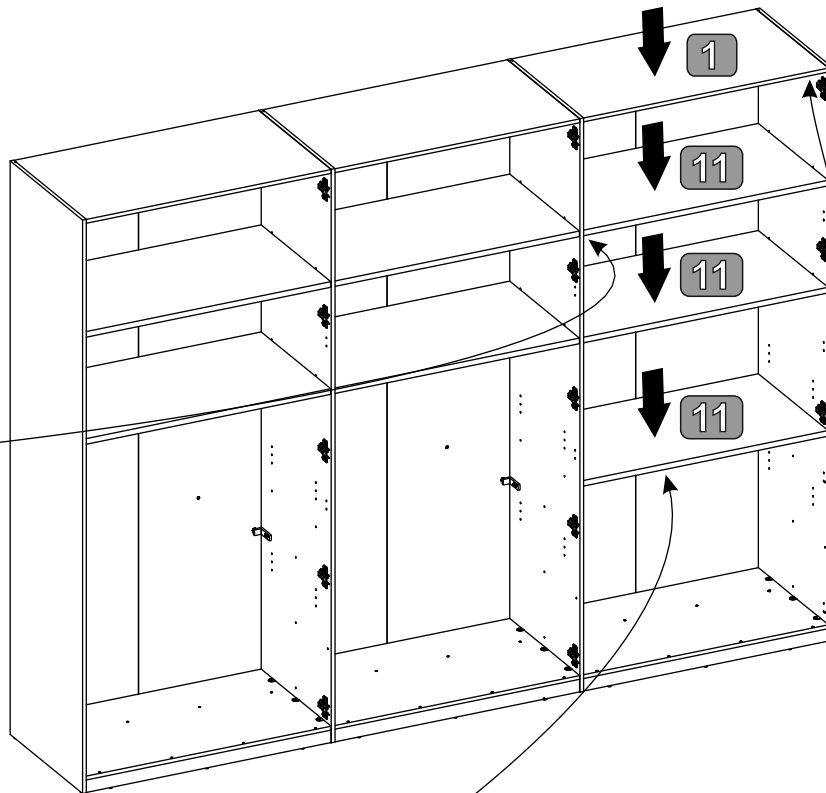
R02




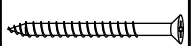



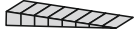
11

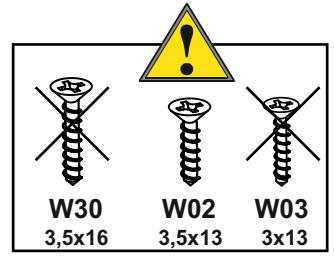
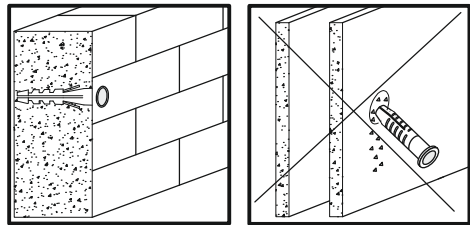
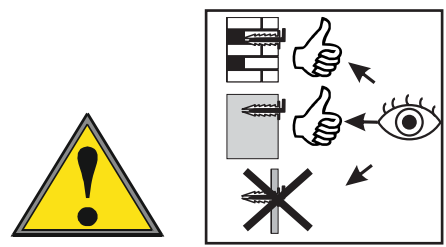
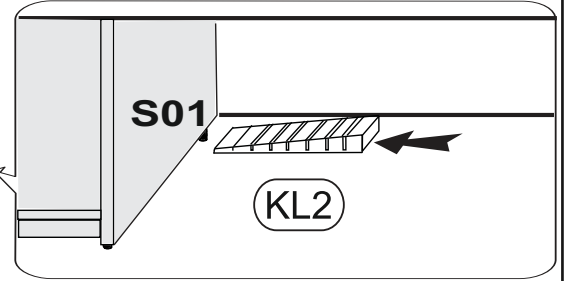
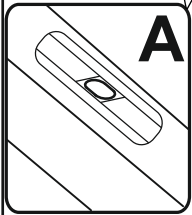
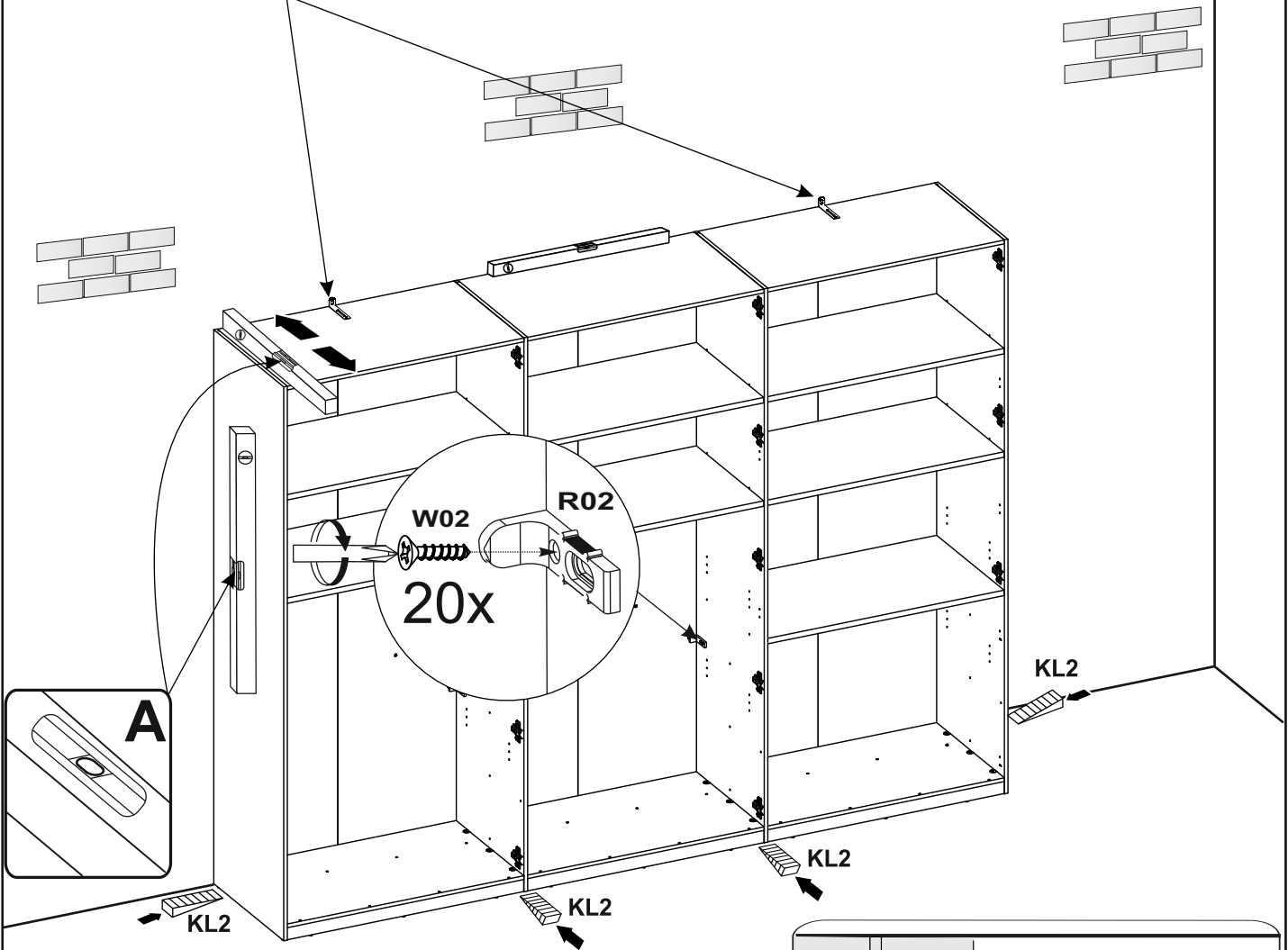
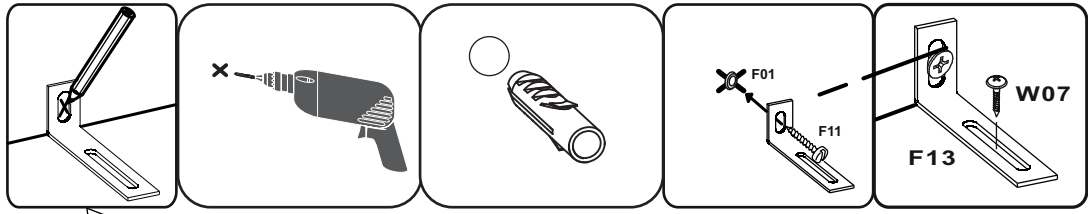


11

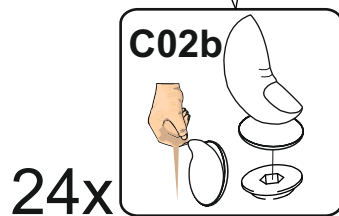
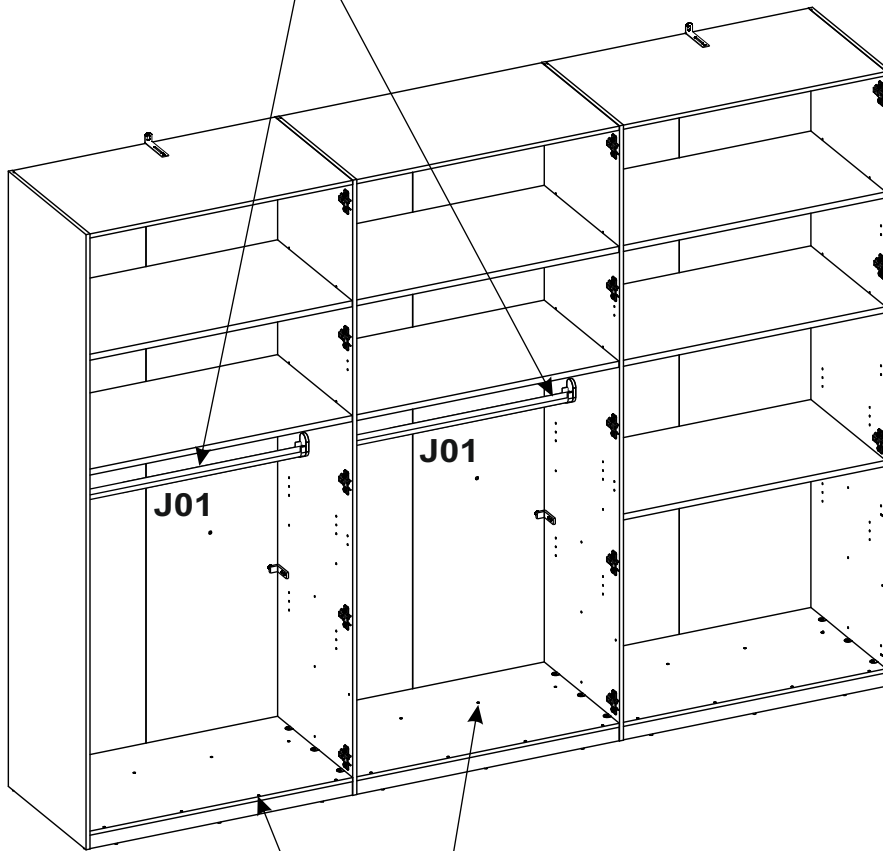
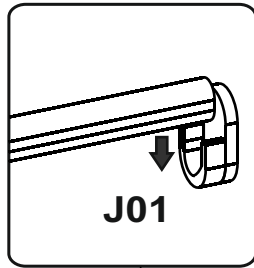
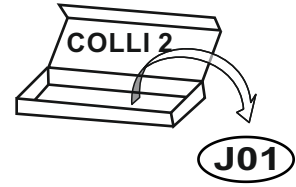
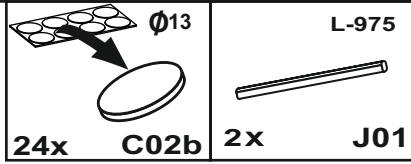


21


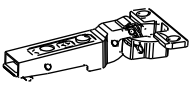
					
2x F01	2x F11	2x F13	4x W07	20x W02	4x KL2

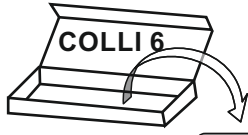


22

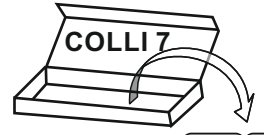


23

 3,5x16	 Φ35 KR-8
52x	W30
26x	Z26



10 10



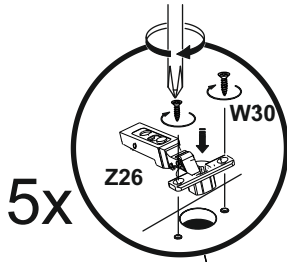
10 10



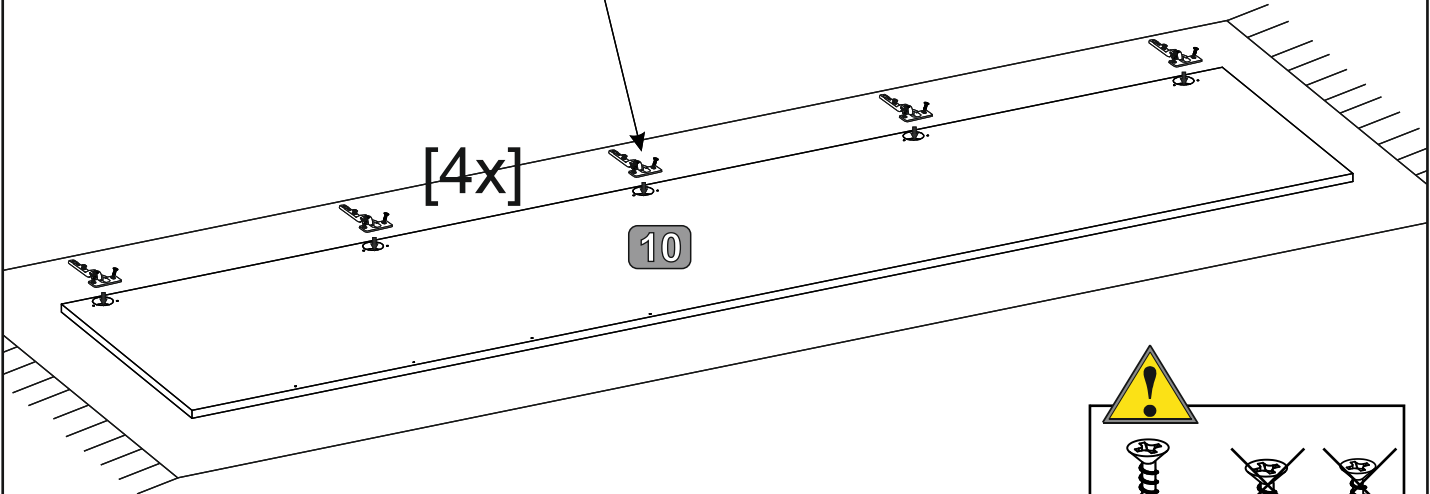
5



5







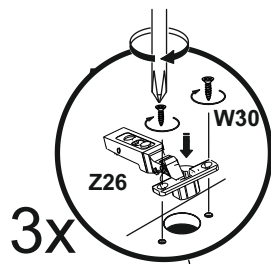
5x



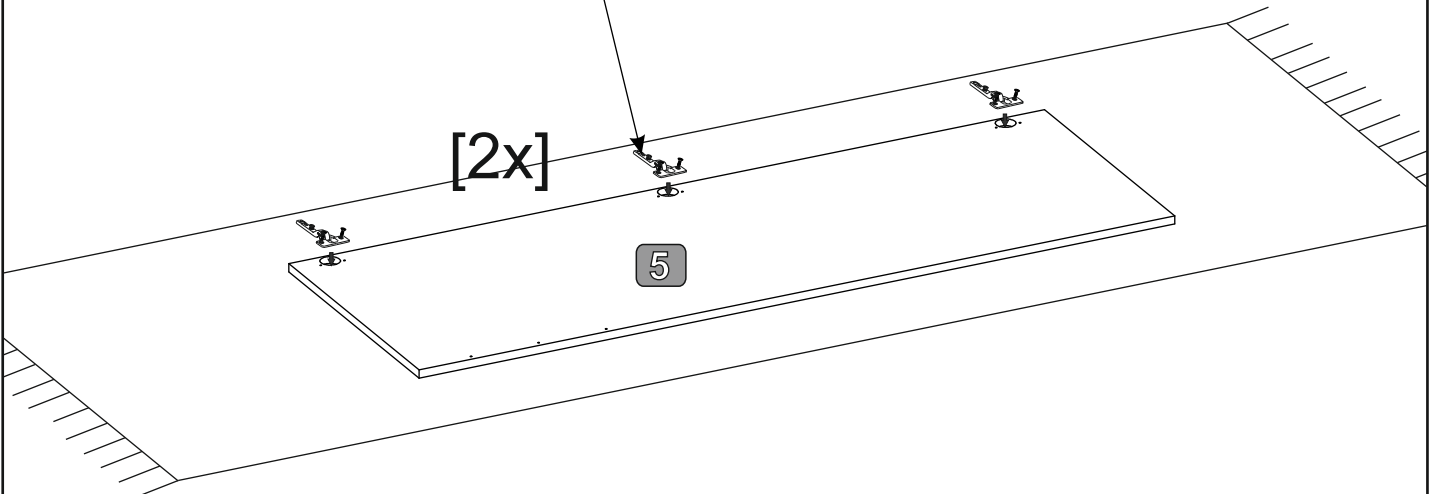
[4x]

10

			
	W30 3,5x16	W02 3,5x13	W03 3x13






3x

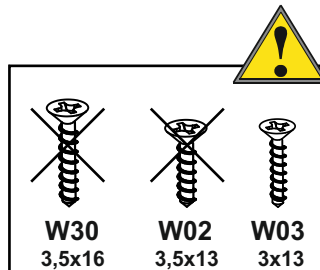
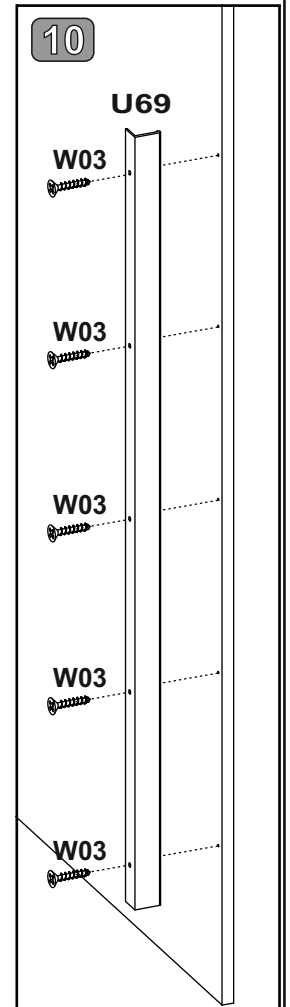
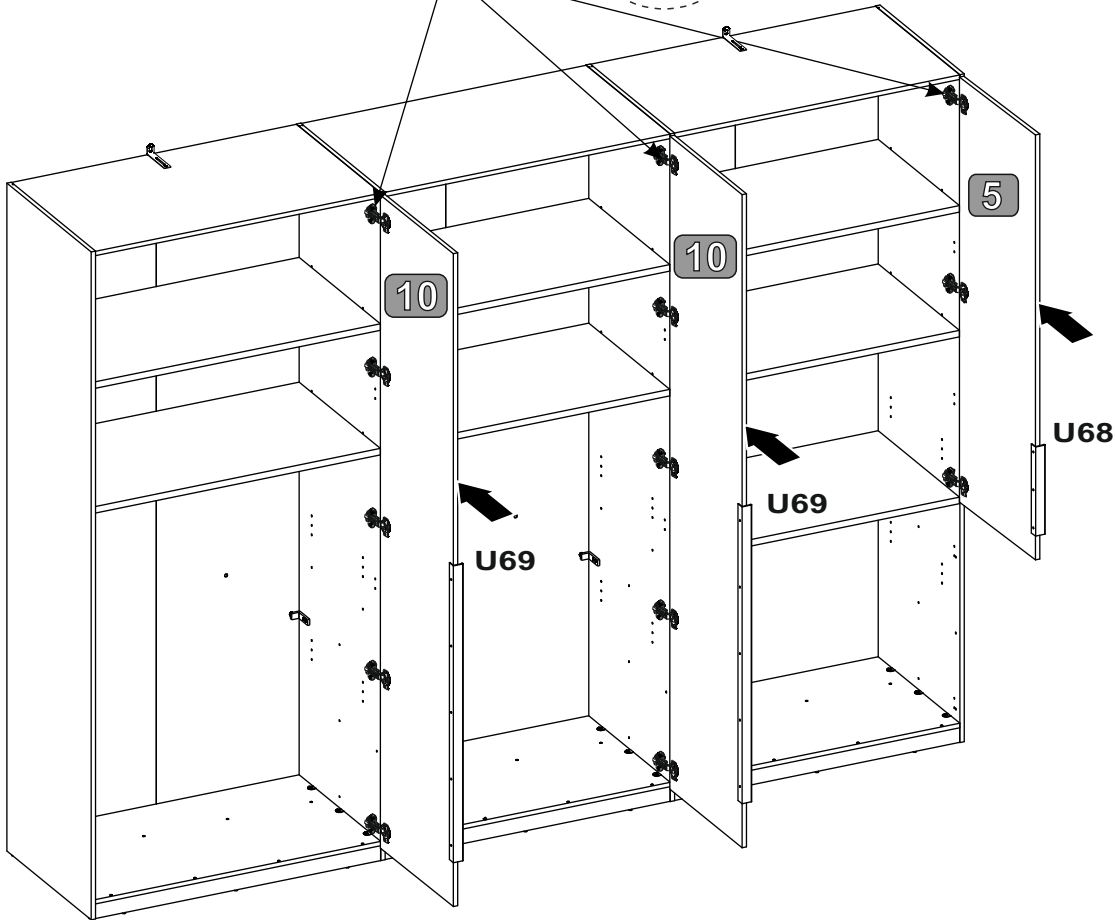
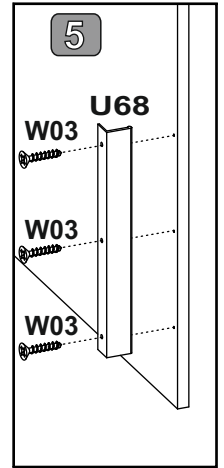
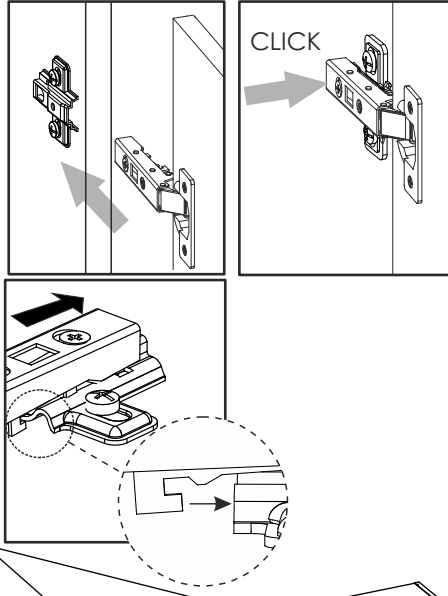
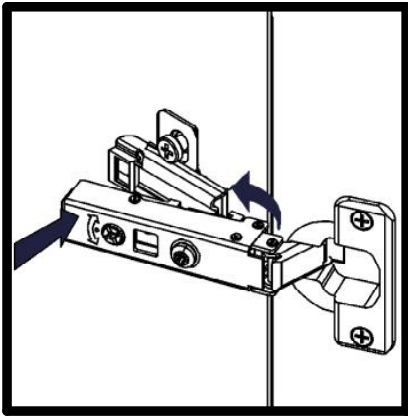


[2x]

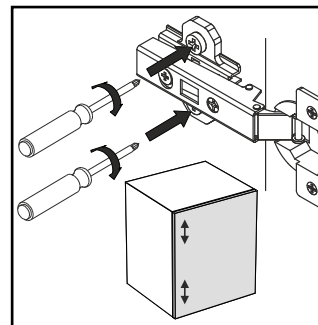
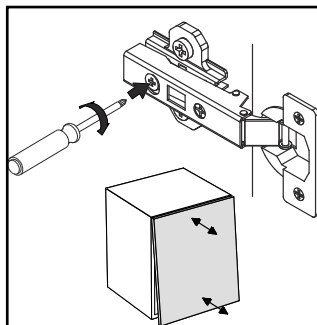
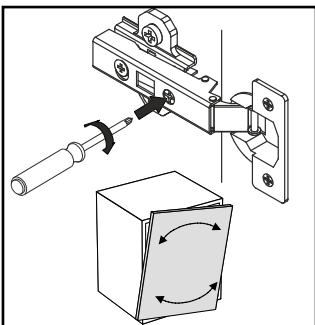
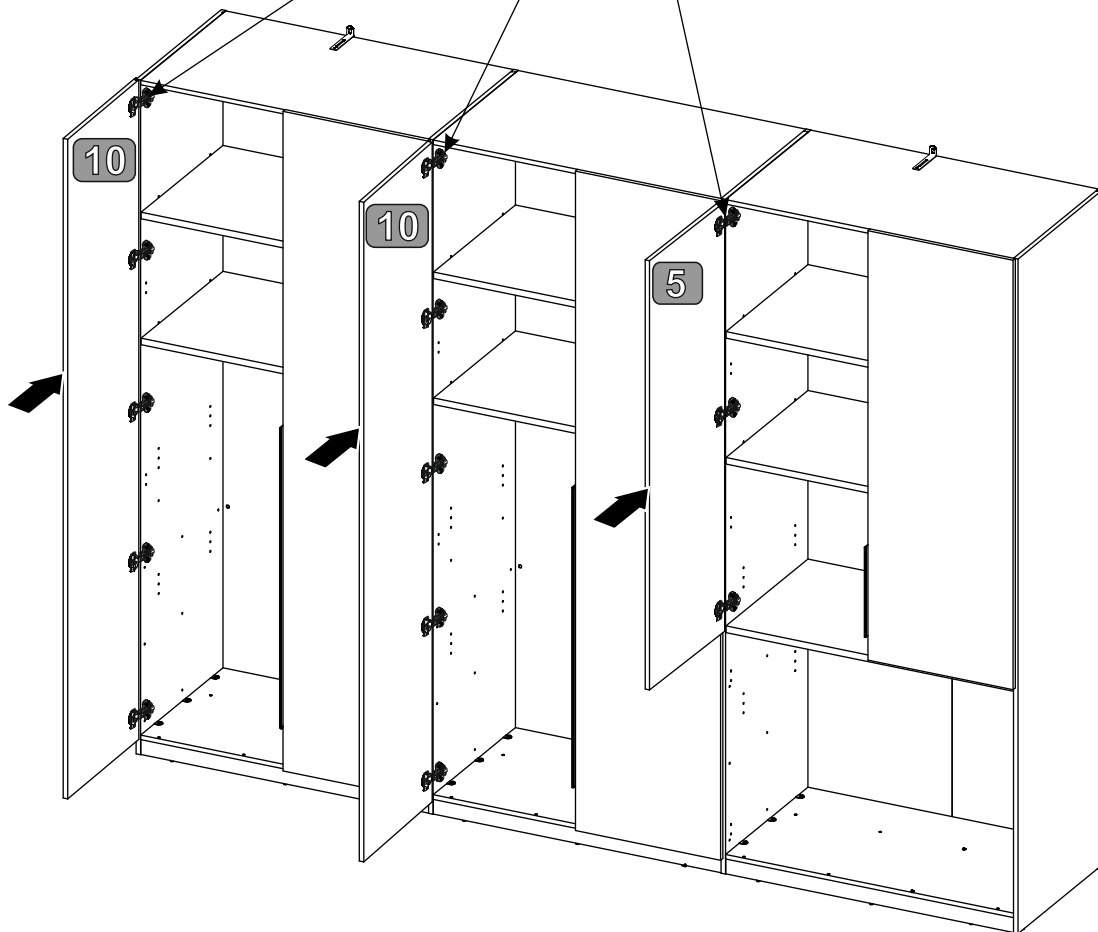
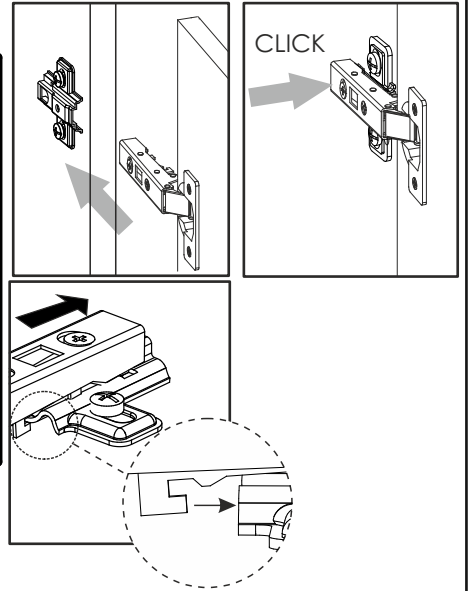
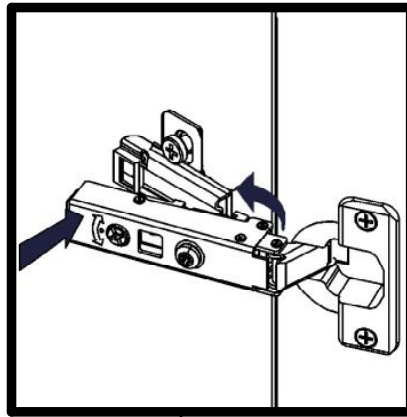
5

24


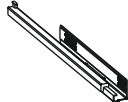
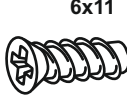
		
1x U68	2x U69	13x W03

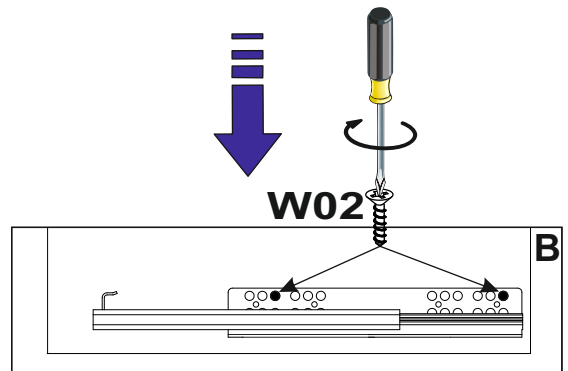
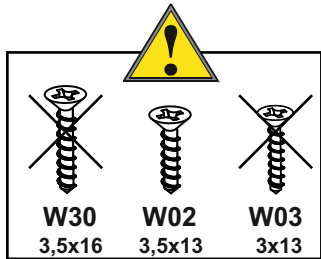
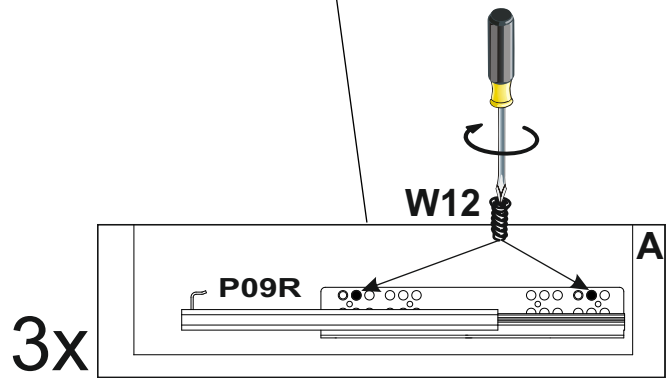
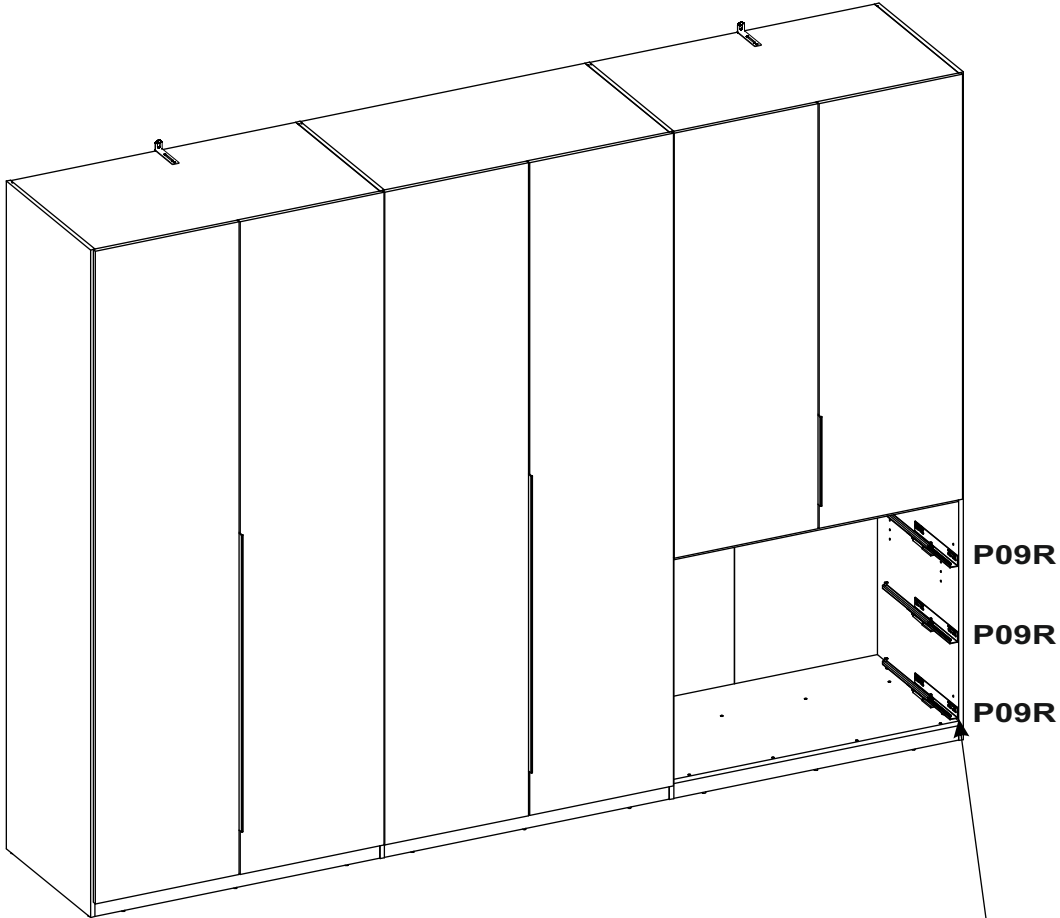


25






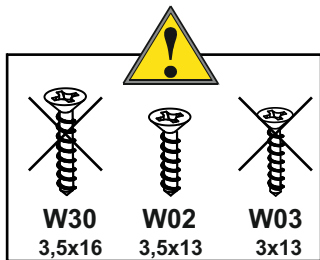
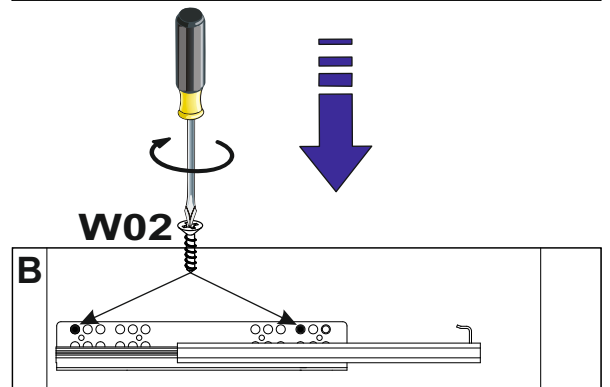
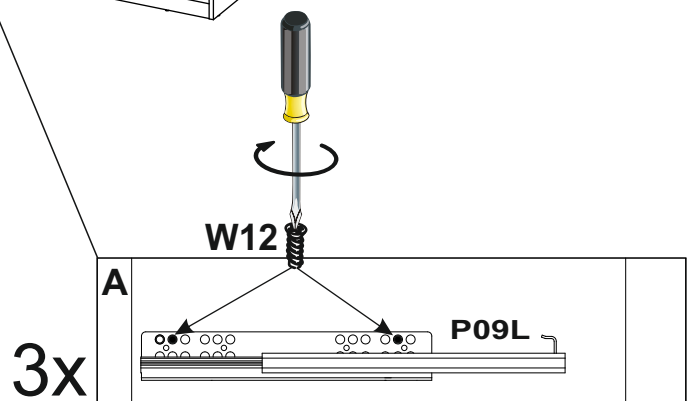
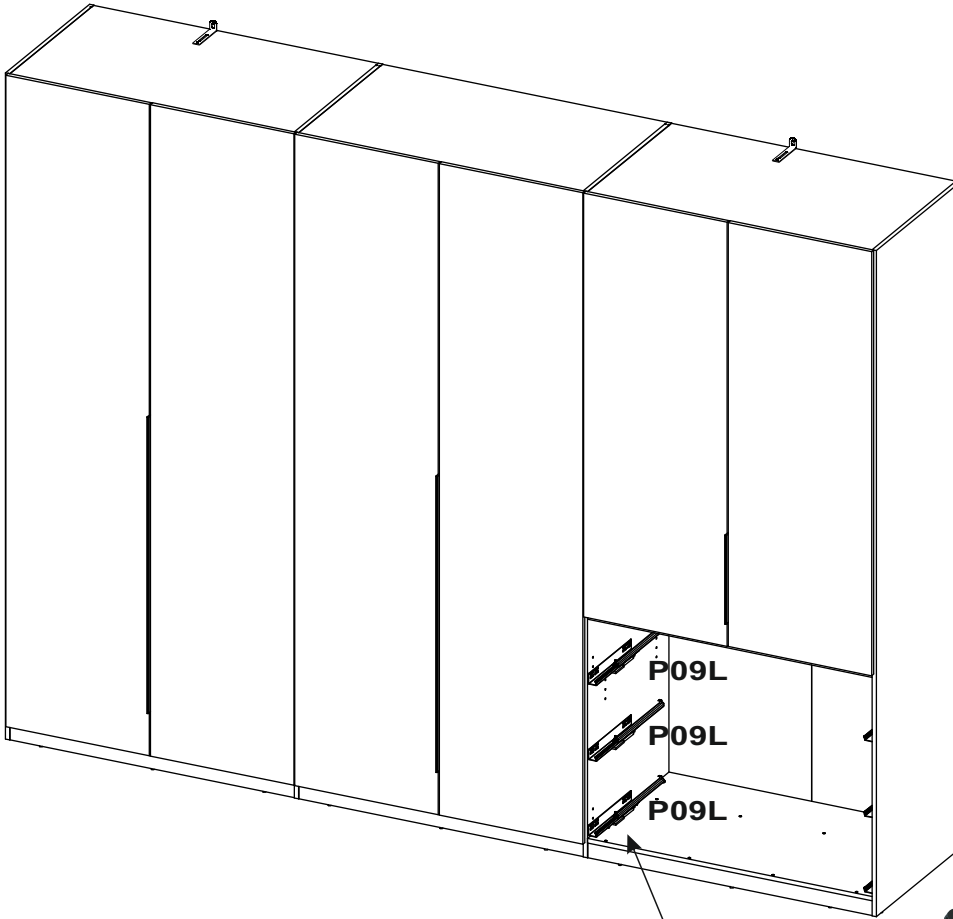
26

 3,5x13 W02	 P09R	 6x11 W12
6x	3x	6x




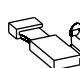
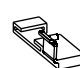


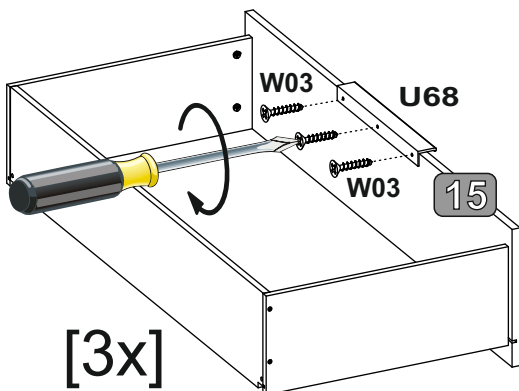
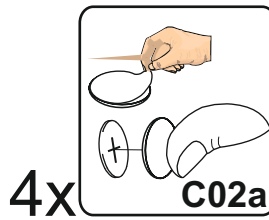
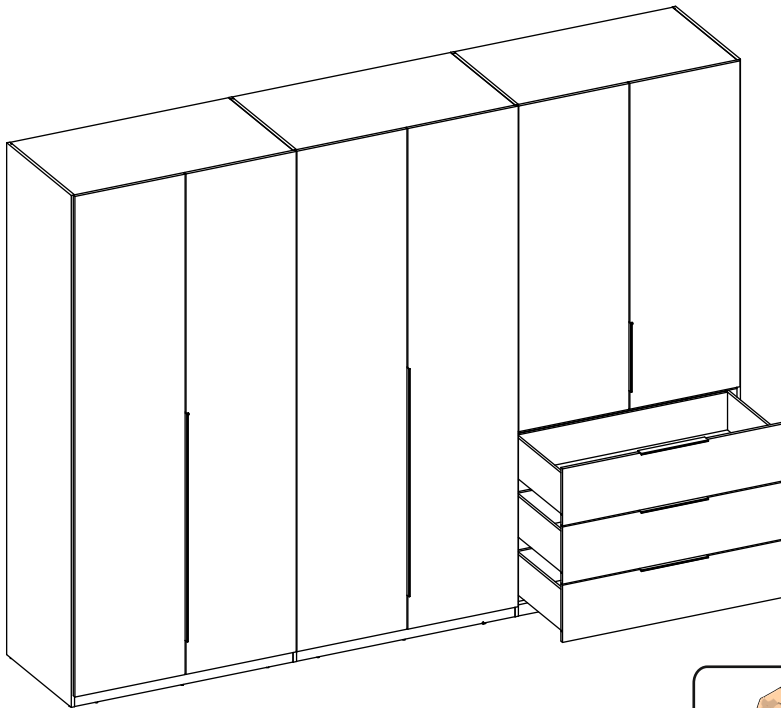
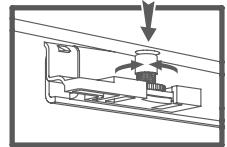
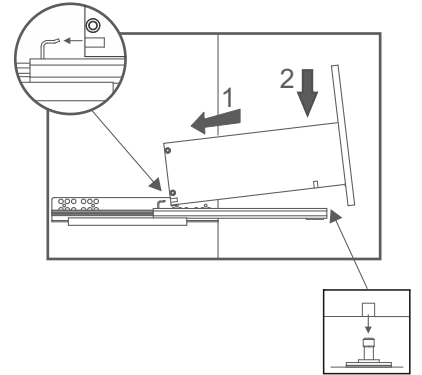
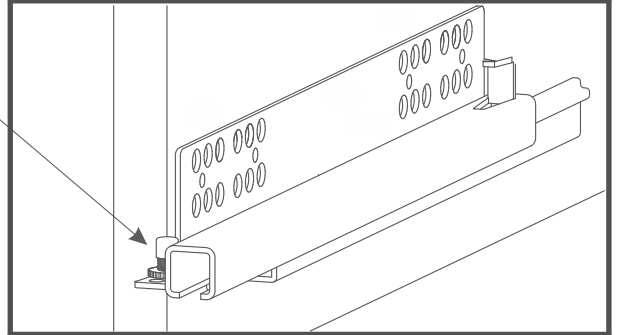
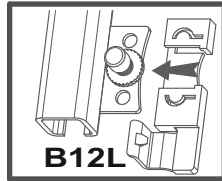
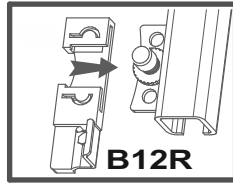
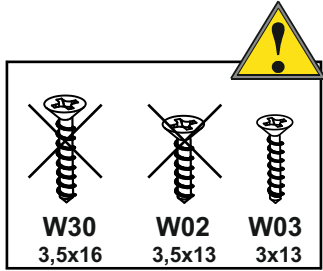
27

 3,5x13		 6x11
6x W02	3x P09L	6x W12

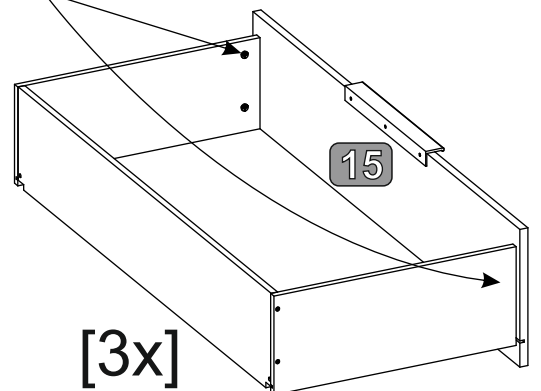
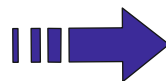


28

 3 x13 9x W03	 L-300 3x U68	 Ø20 12x C02a	 3x B12L	 3x B12R
--	--	--	---	--

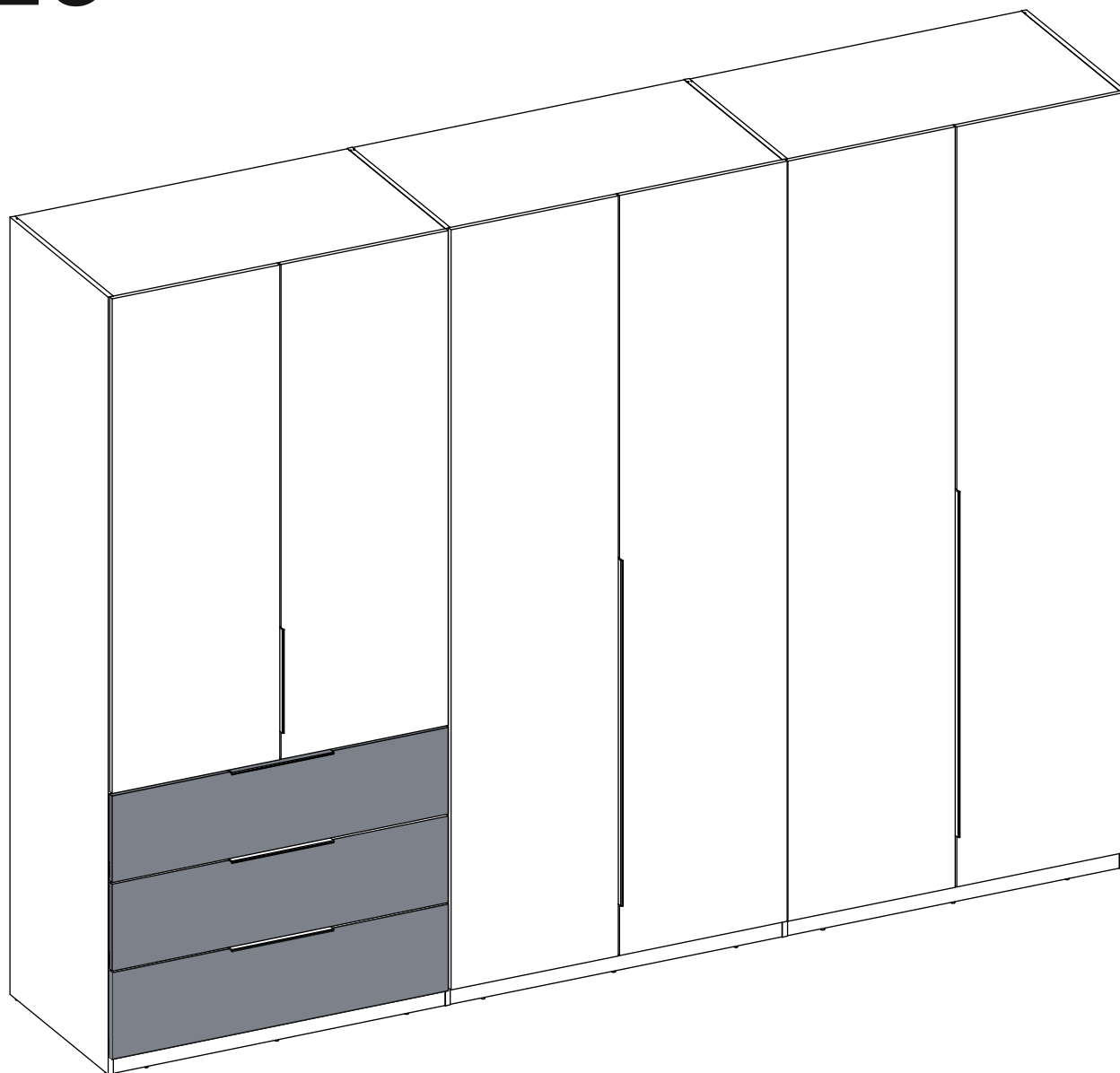


[3x]



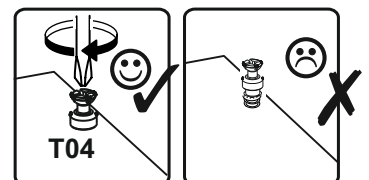
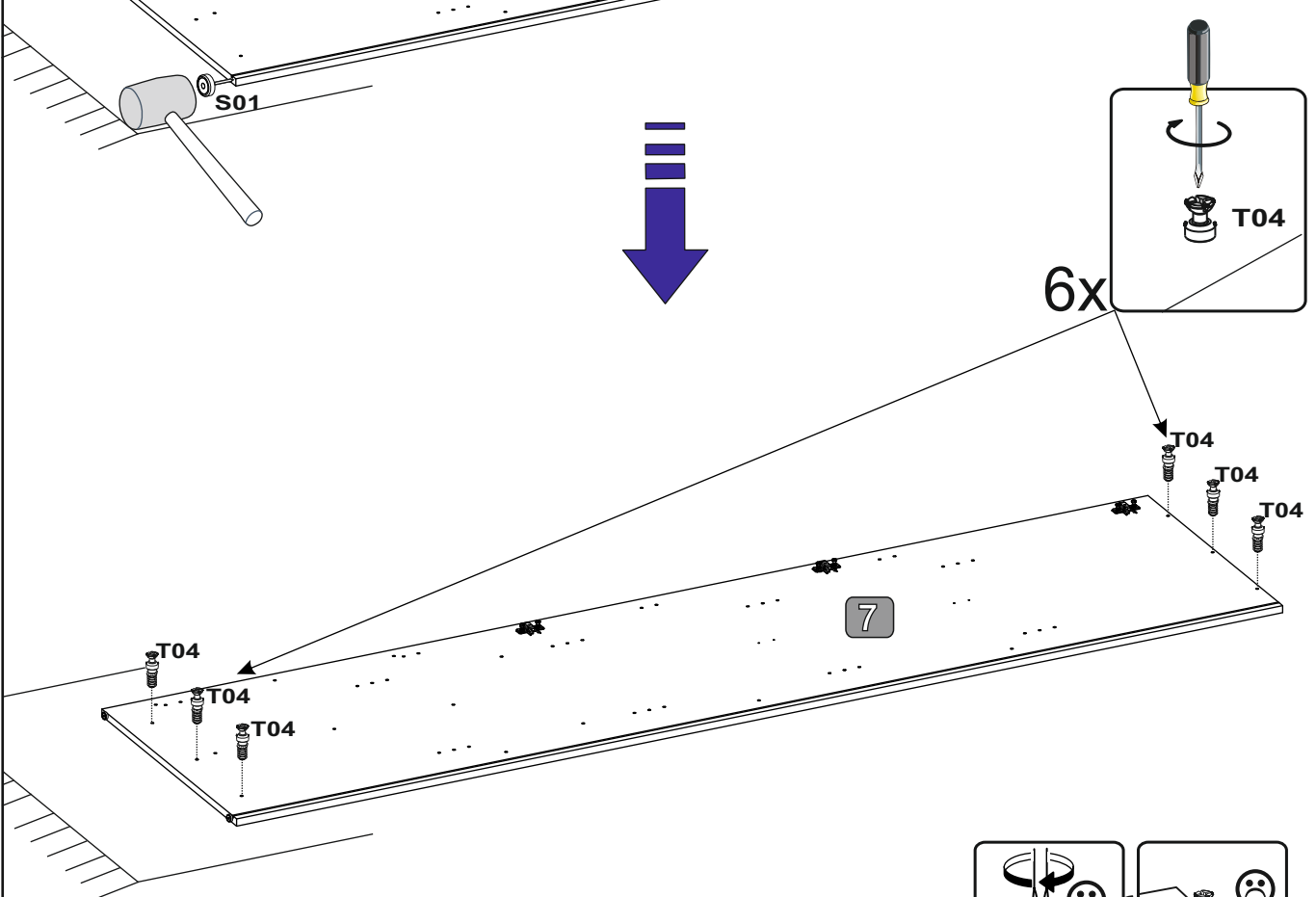
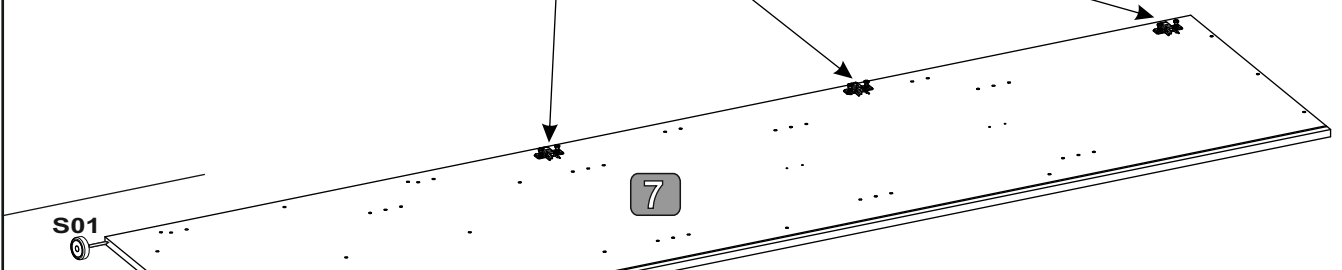
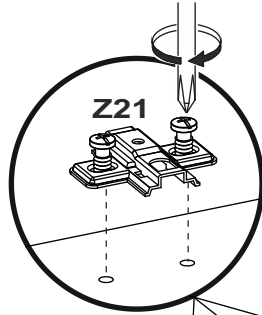
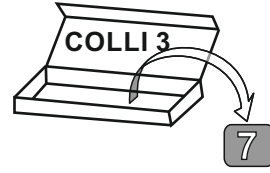
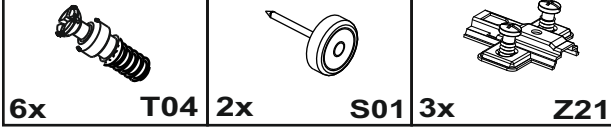
[3x]

29



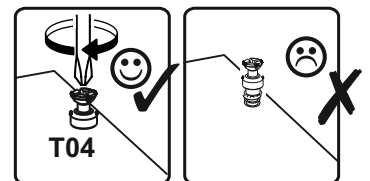
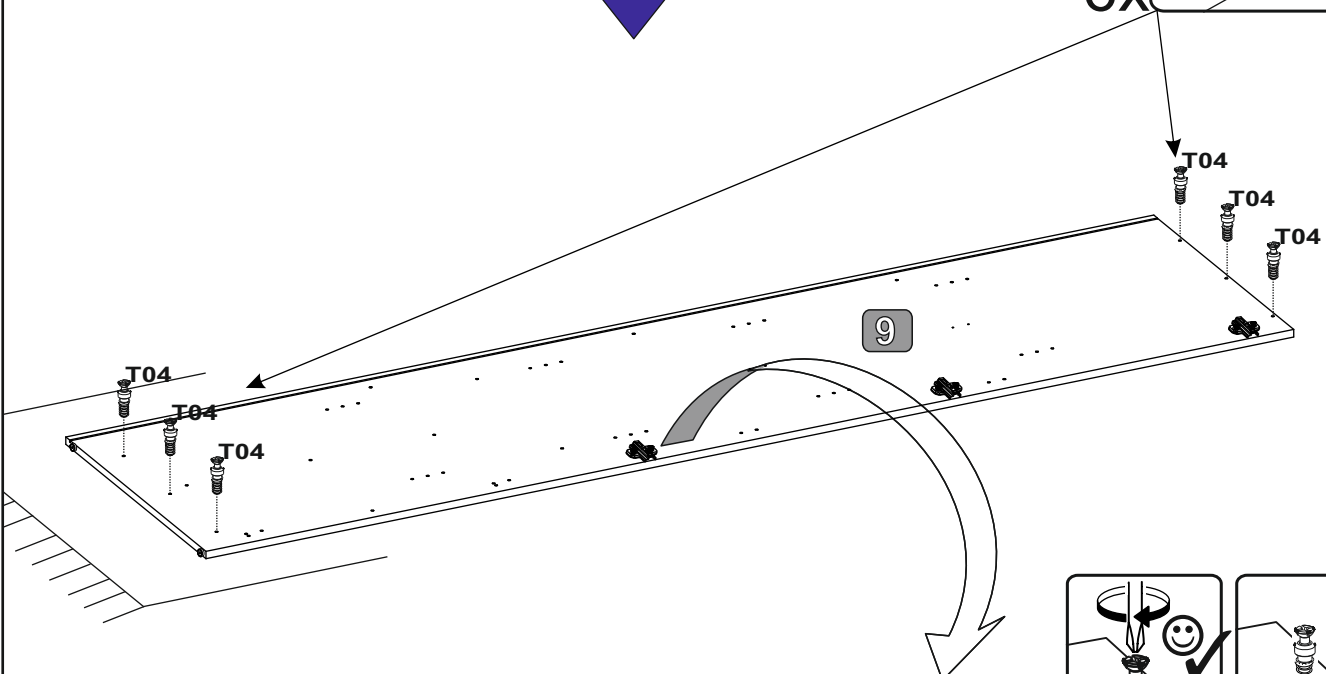
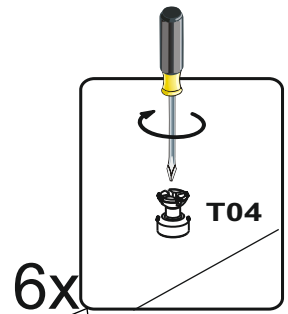
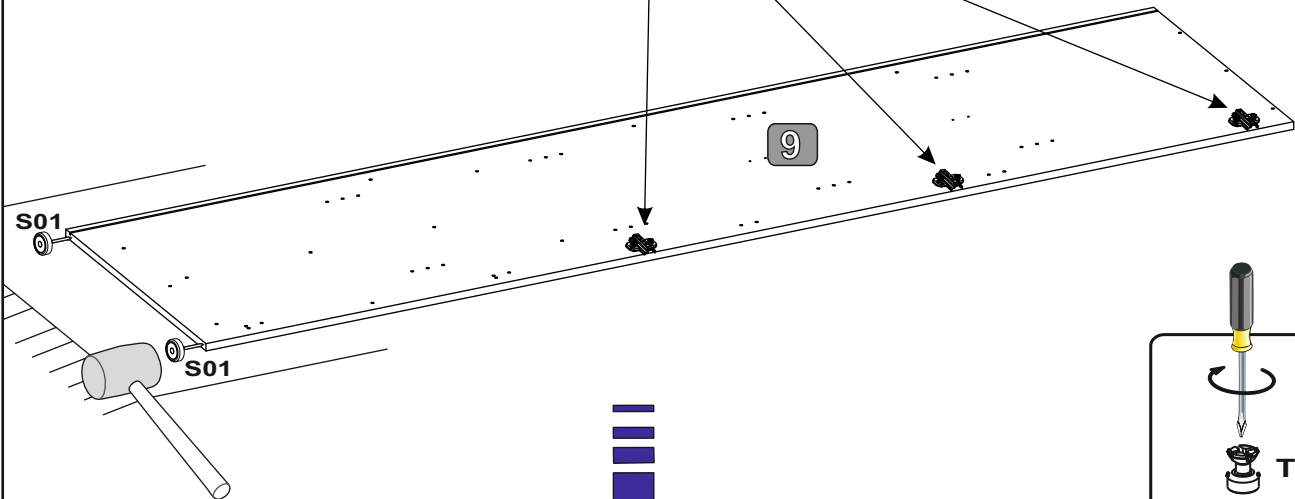
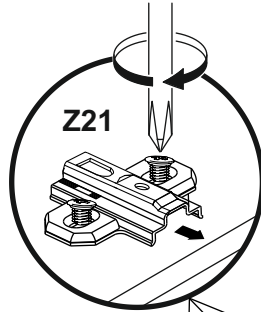
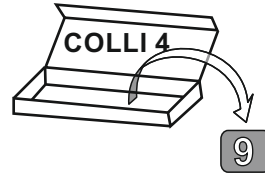
Ver. B 30/65-50/65

31



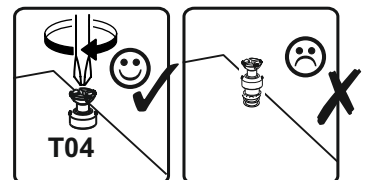
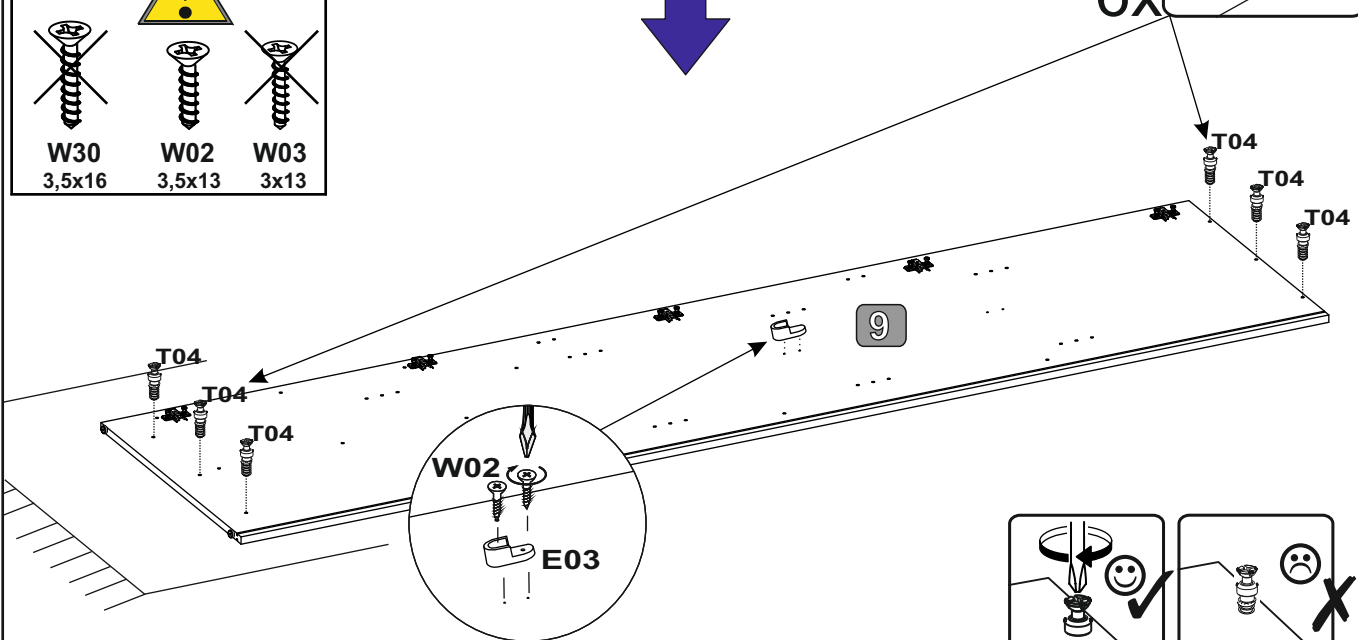
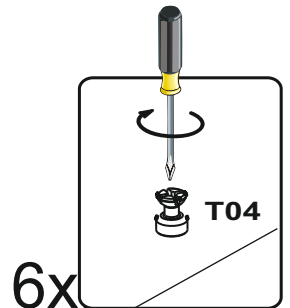
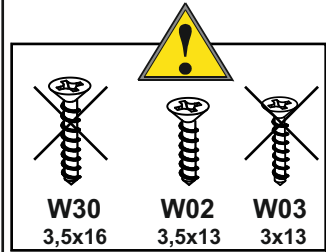
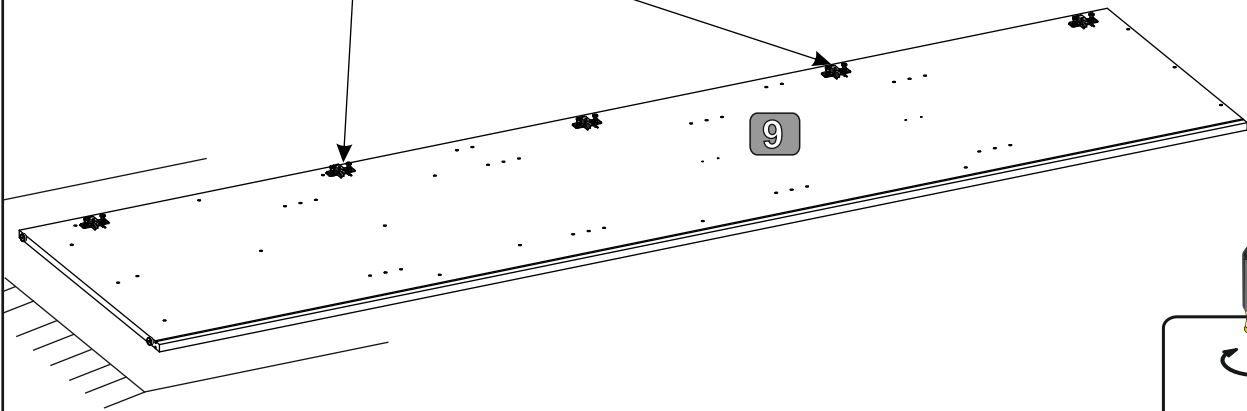
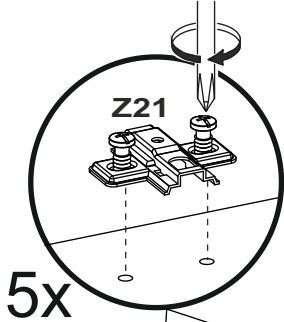
32

- 6x T04
- 2x S01
- 3x Z21



33

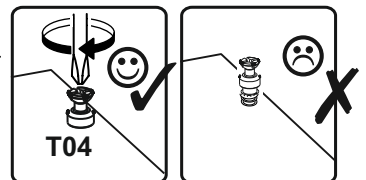
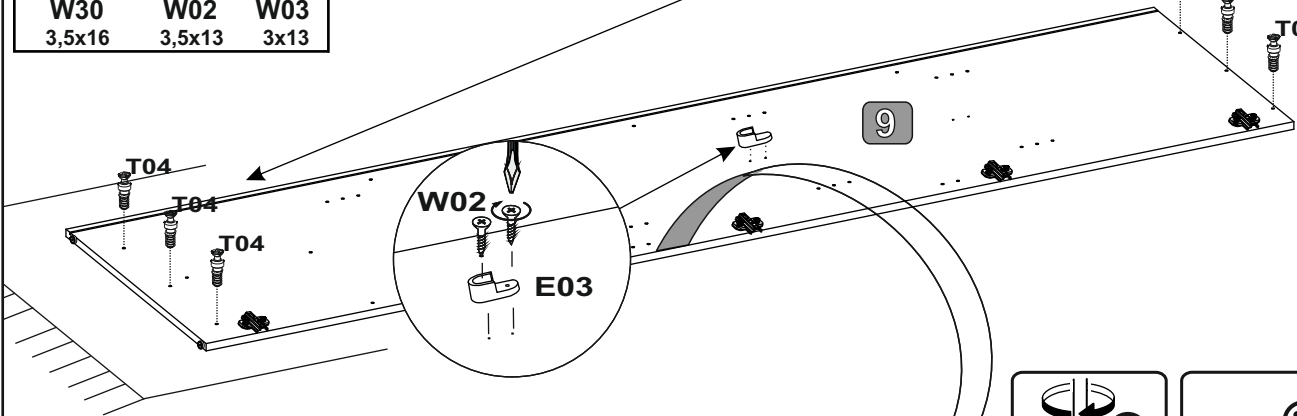
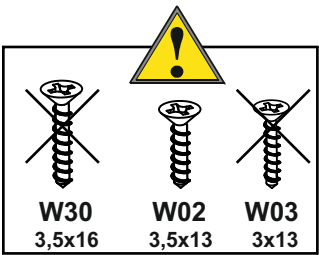
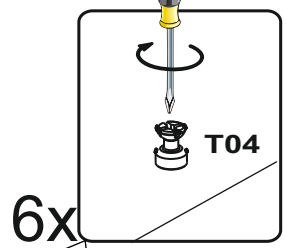
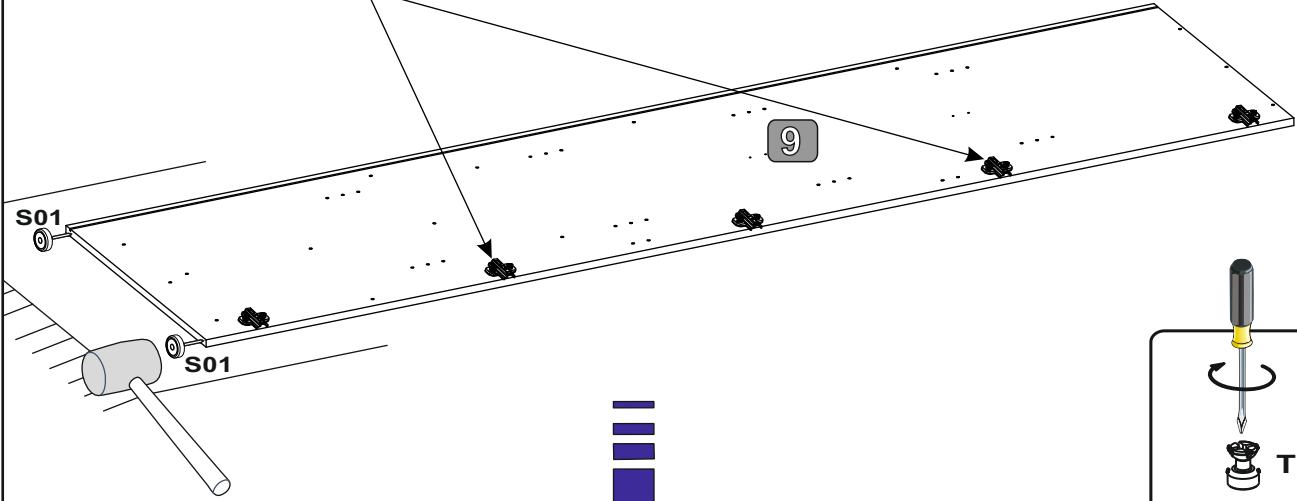
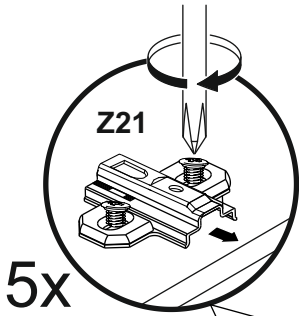
6x T04	1x E03	2x W02	3,5x13
5x Z21			




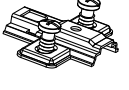

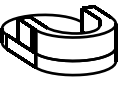
34

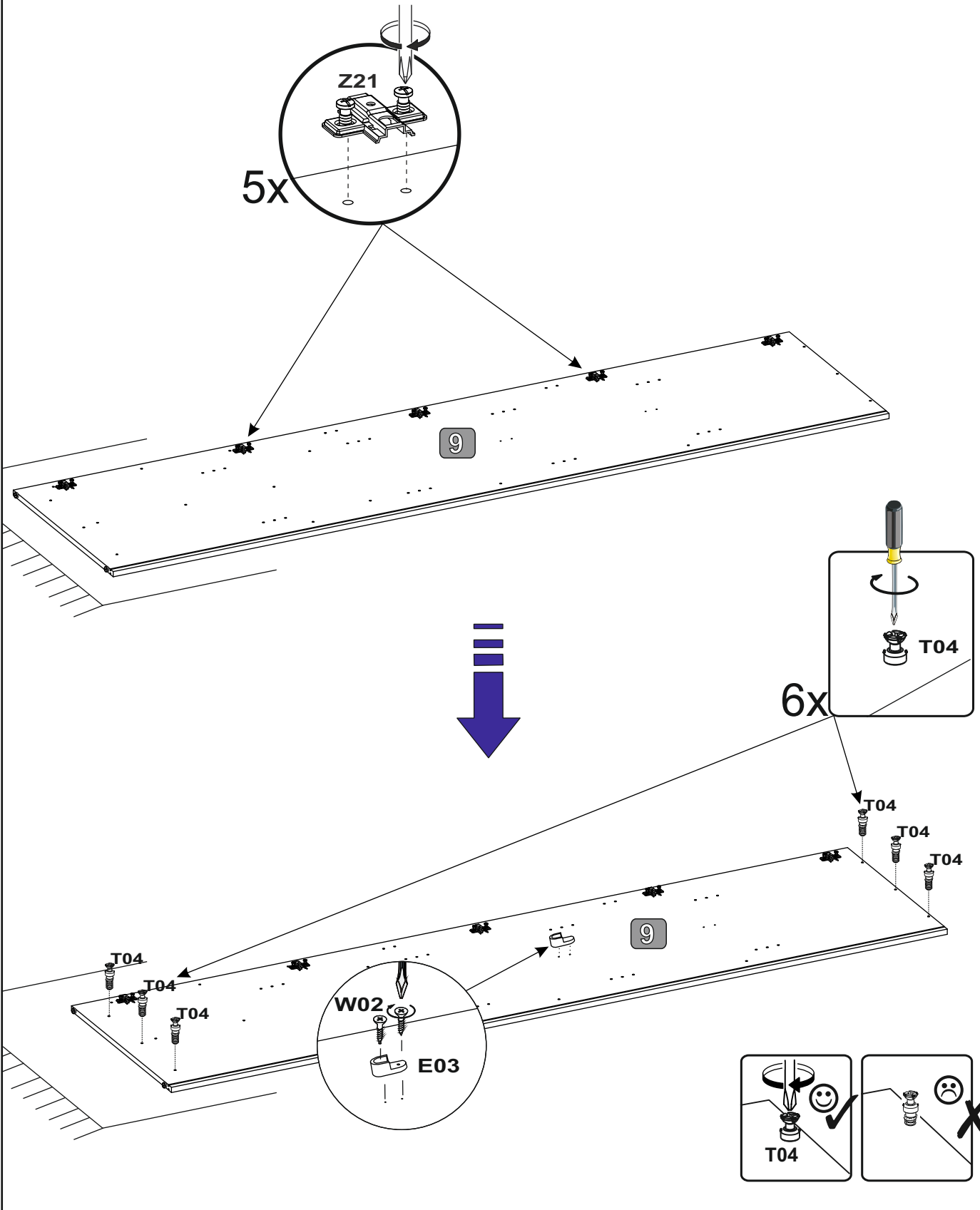
6x T04	2x S01	1x E03
2x W02	5x Z21	COLLI 5

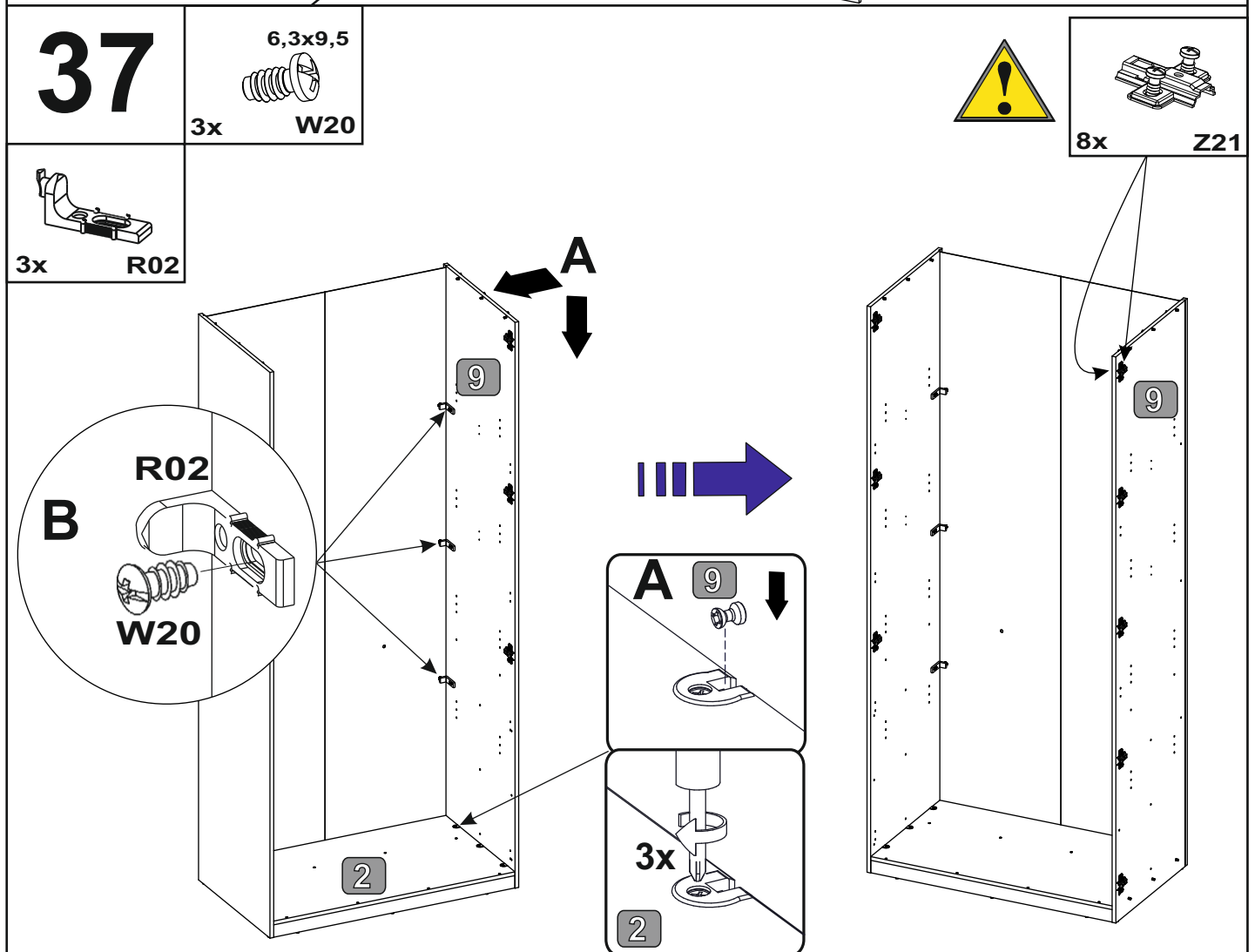
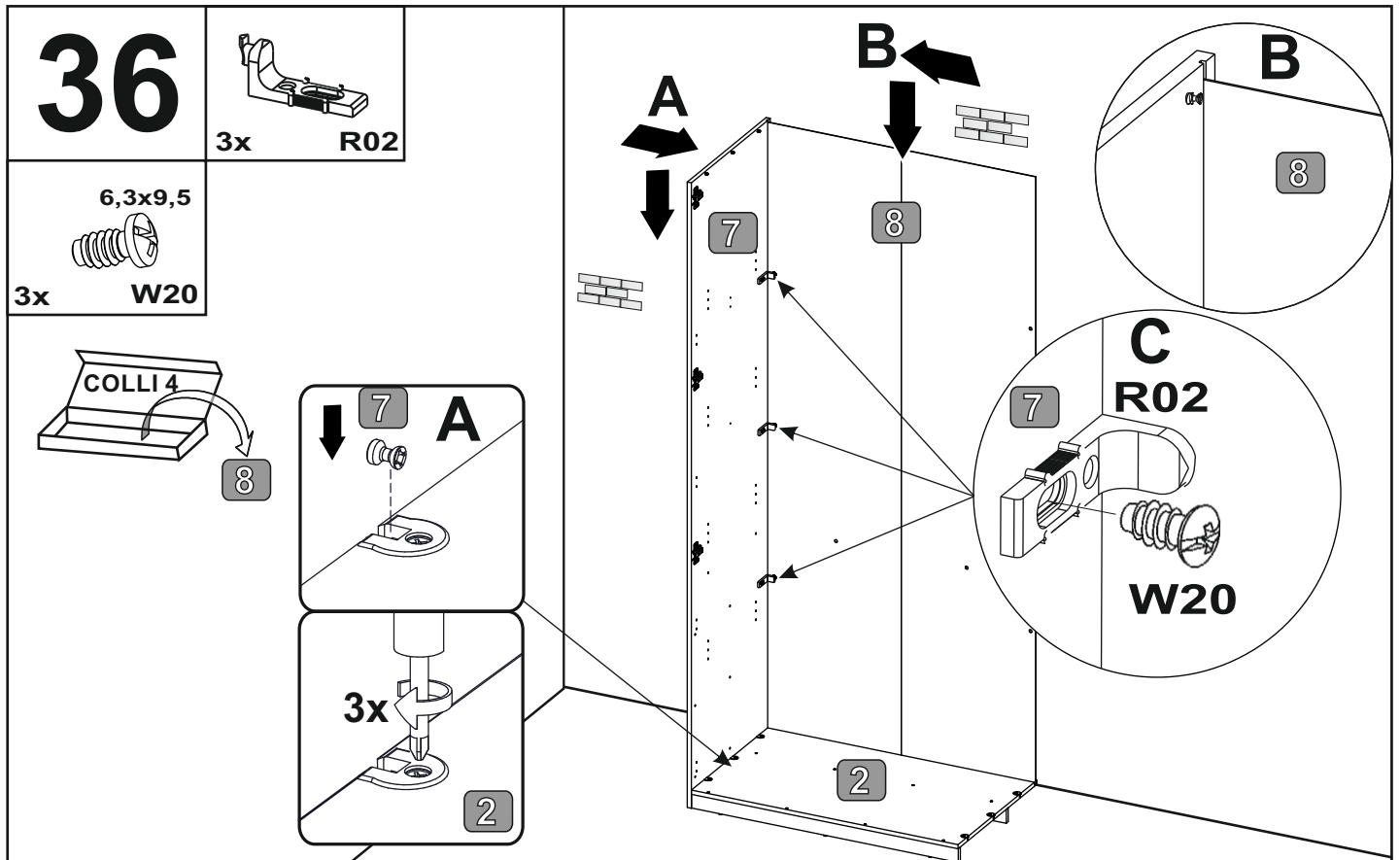
9



35

6x		T04	5x		Z21	2x		3,5x13	W02	1x		E03
----	---	-----	----	---	-----	----	---	--------	-----	----	--	-----





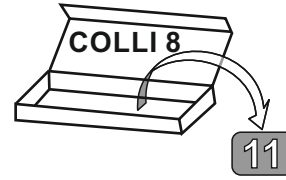
38

2x

R02

12x

E07

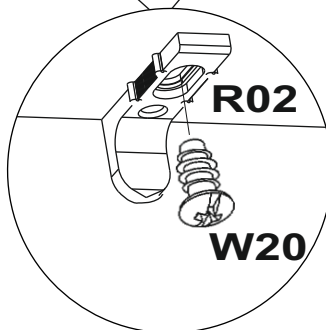
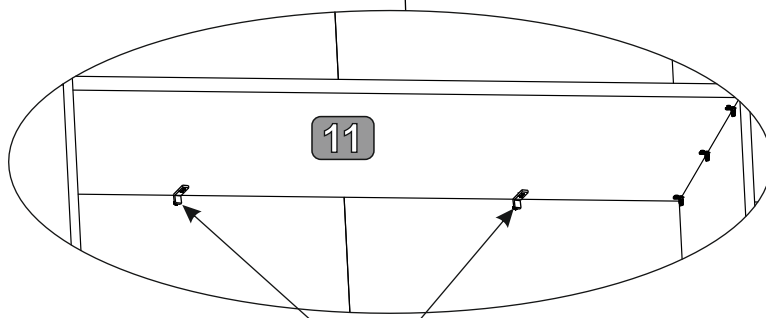
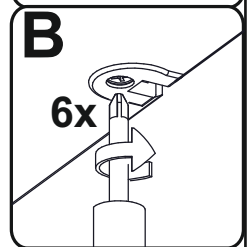
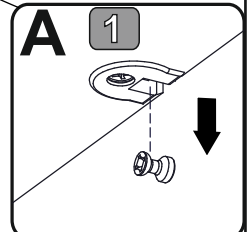
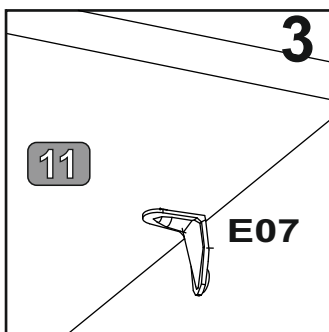
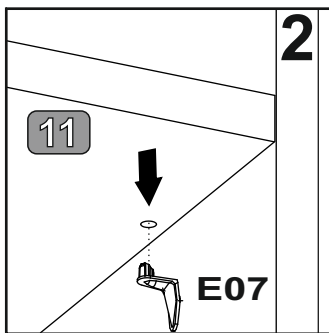
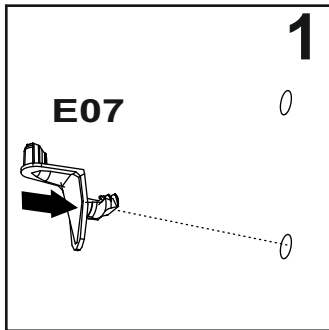
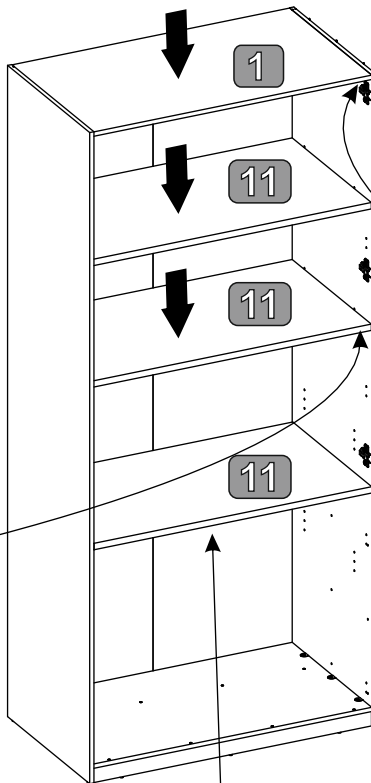


6,3x9,5



2x

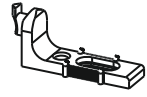
W20



39

3x

R02



3x

6,3x9,5

W20



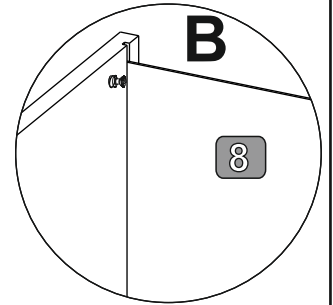
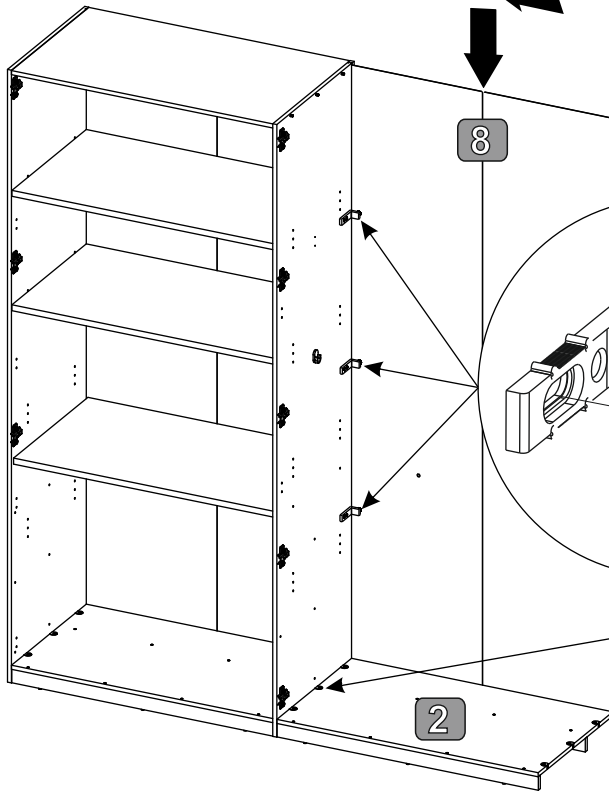
COLLI 4

8



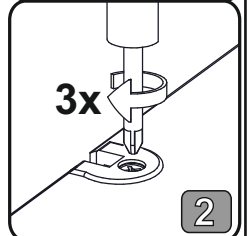
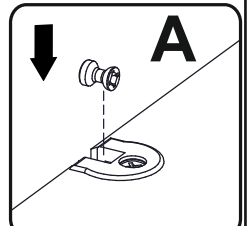
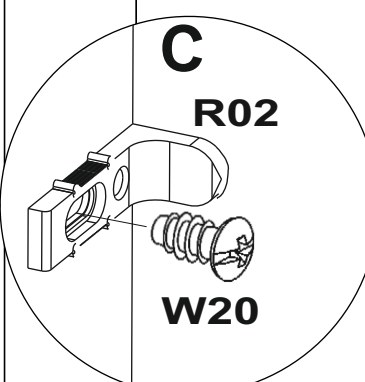
B

8



C
R02

W20



40

3x

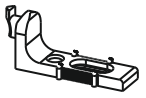
6,3x9,5

W20



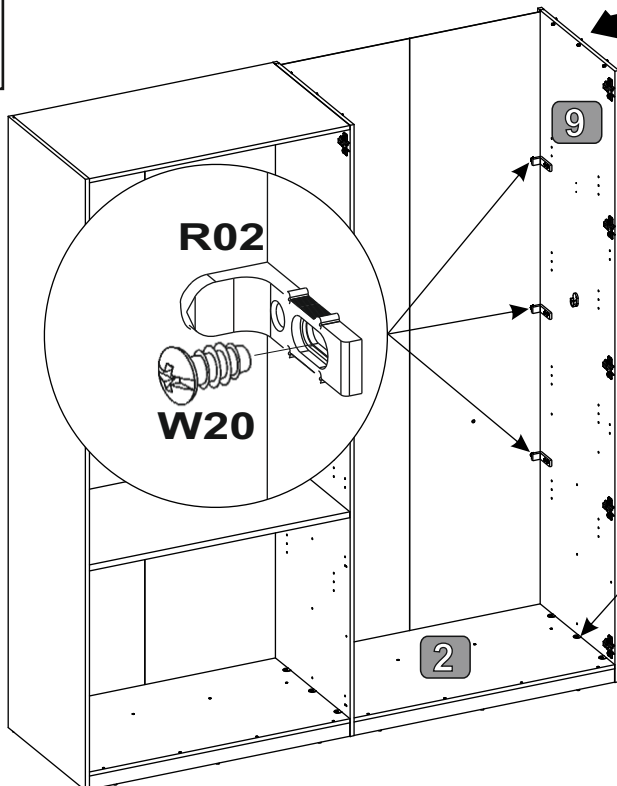
3x

R02



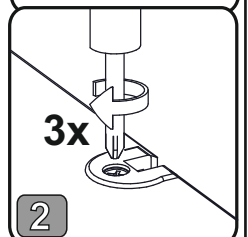
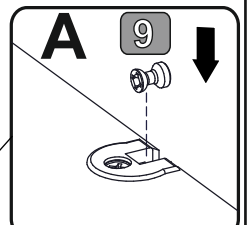
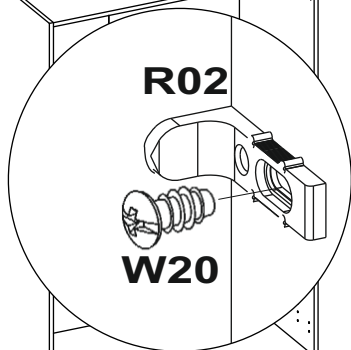
A

9

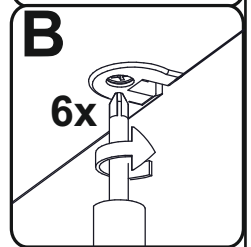
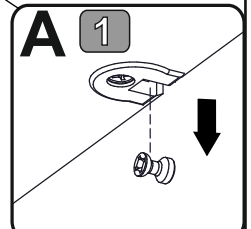
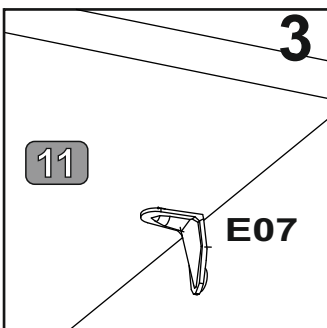
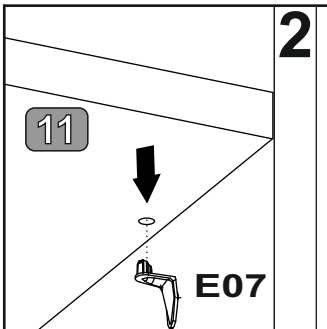
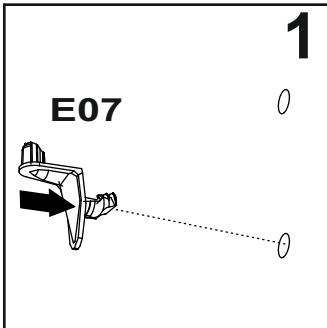
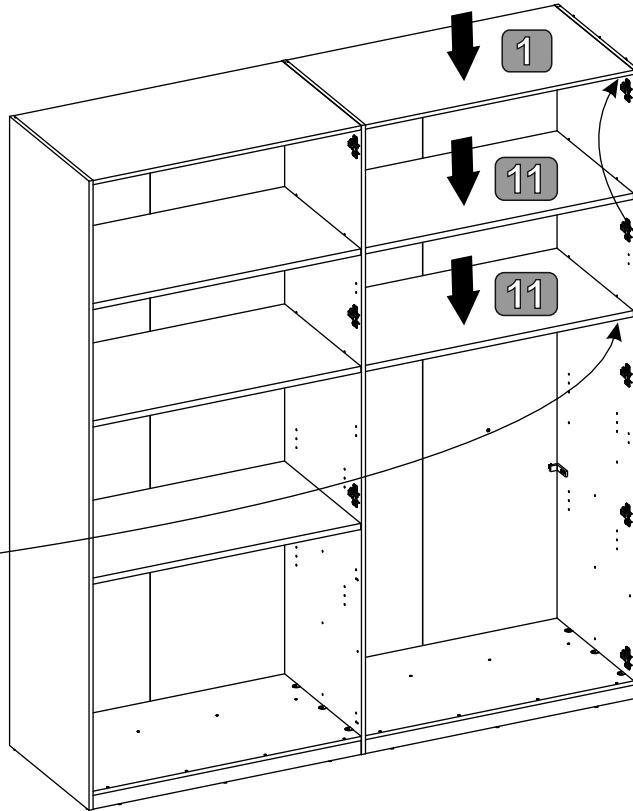
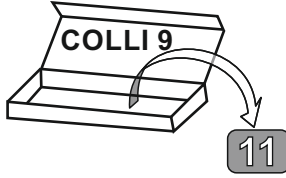
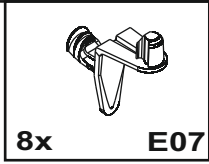


R02

W20

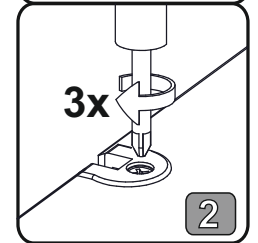
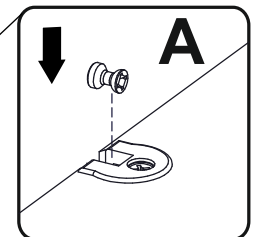
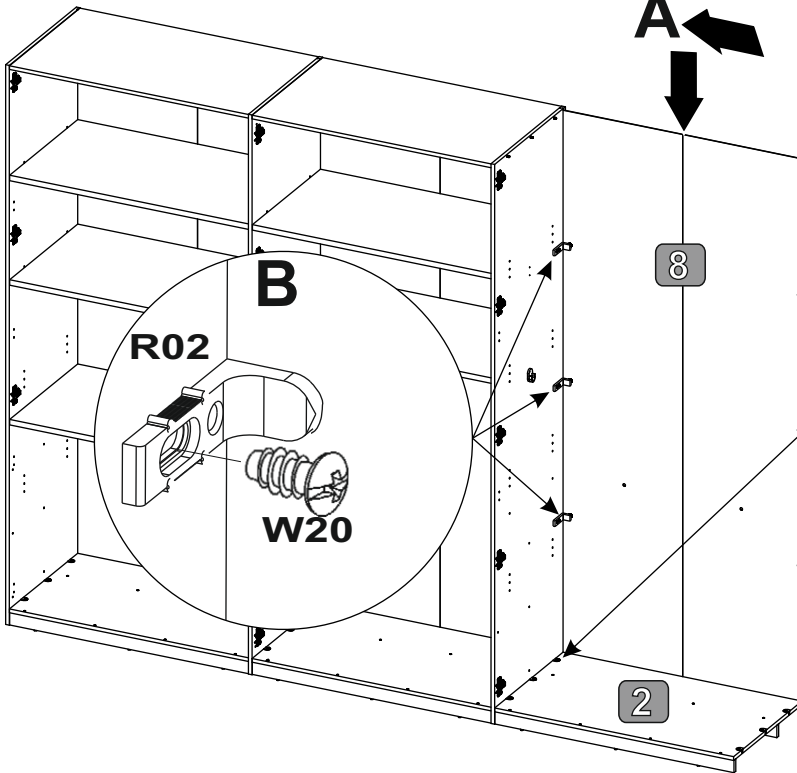
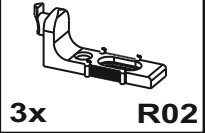
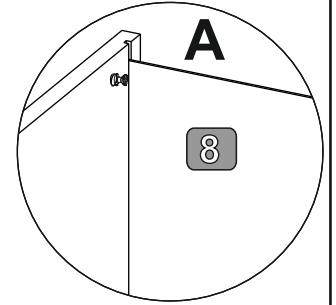
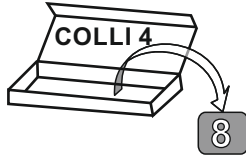


41



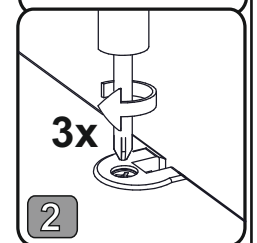
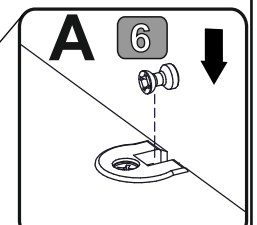
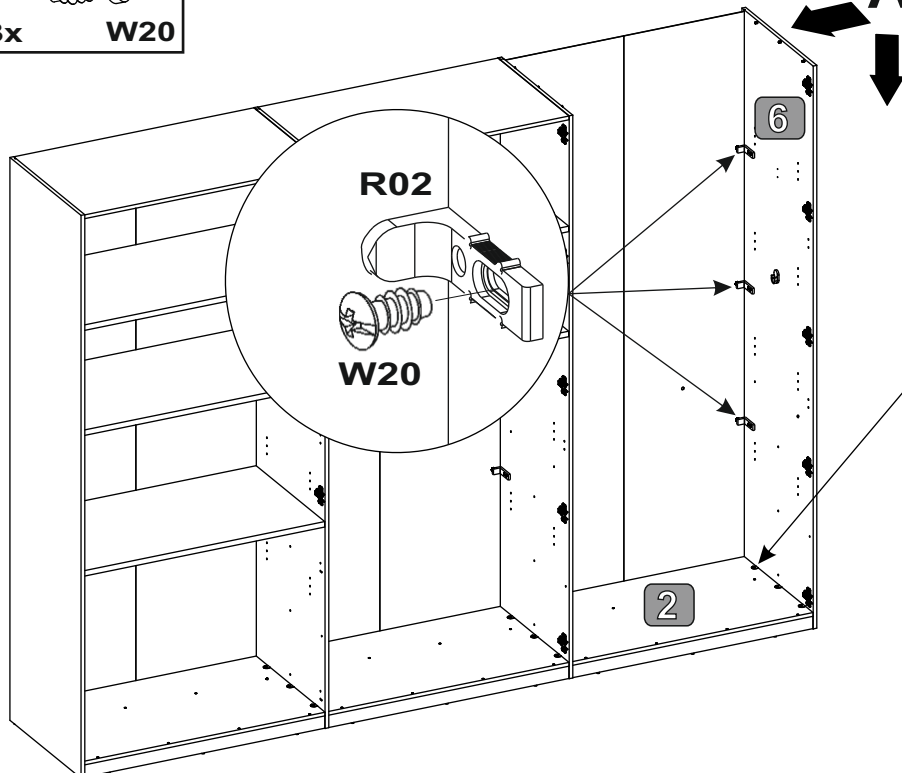
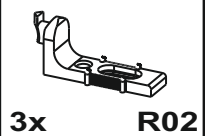
42

3x 6,3x9,5 W20

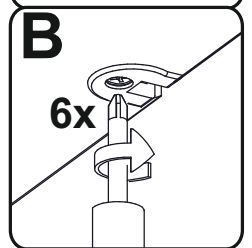
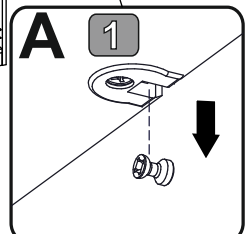
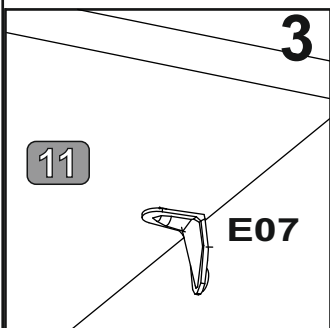
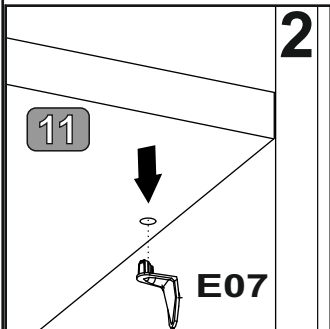
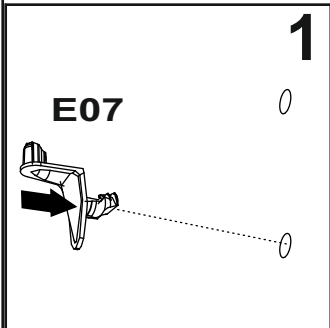
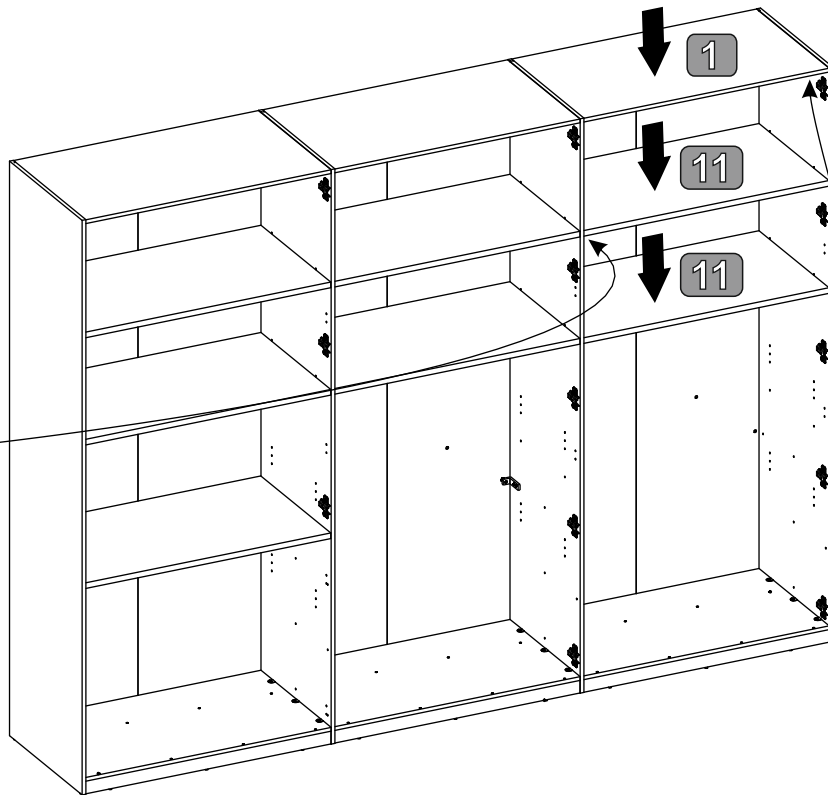
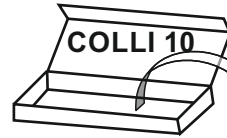
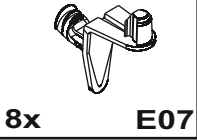


43


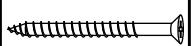




3x 6,3x9,5 W20

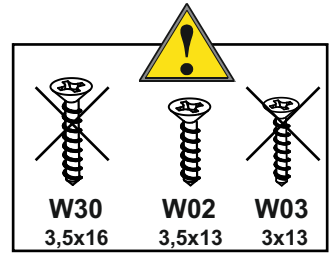
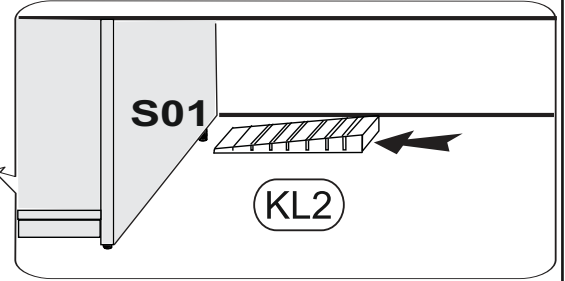
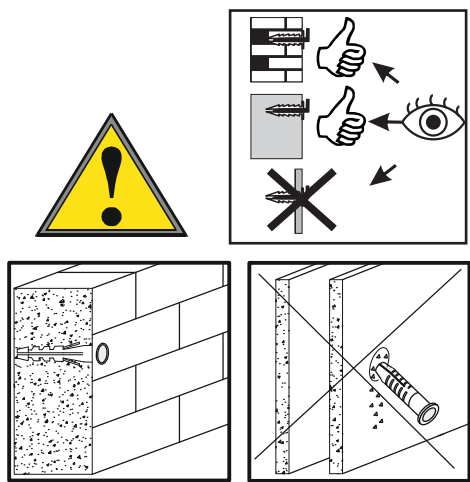
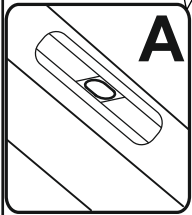
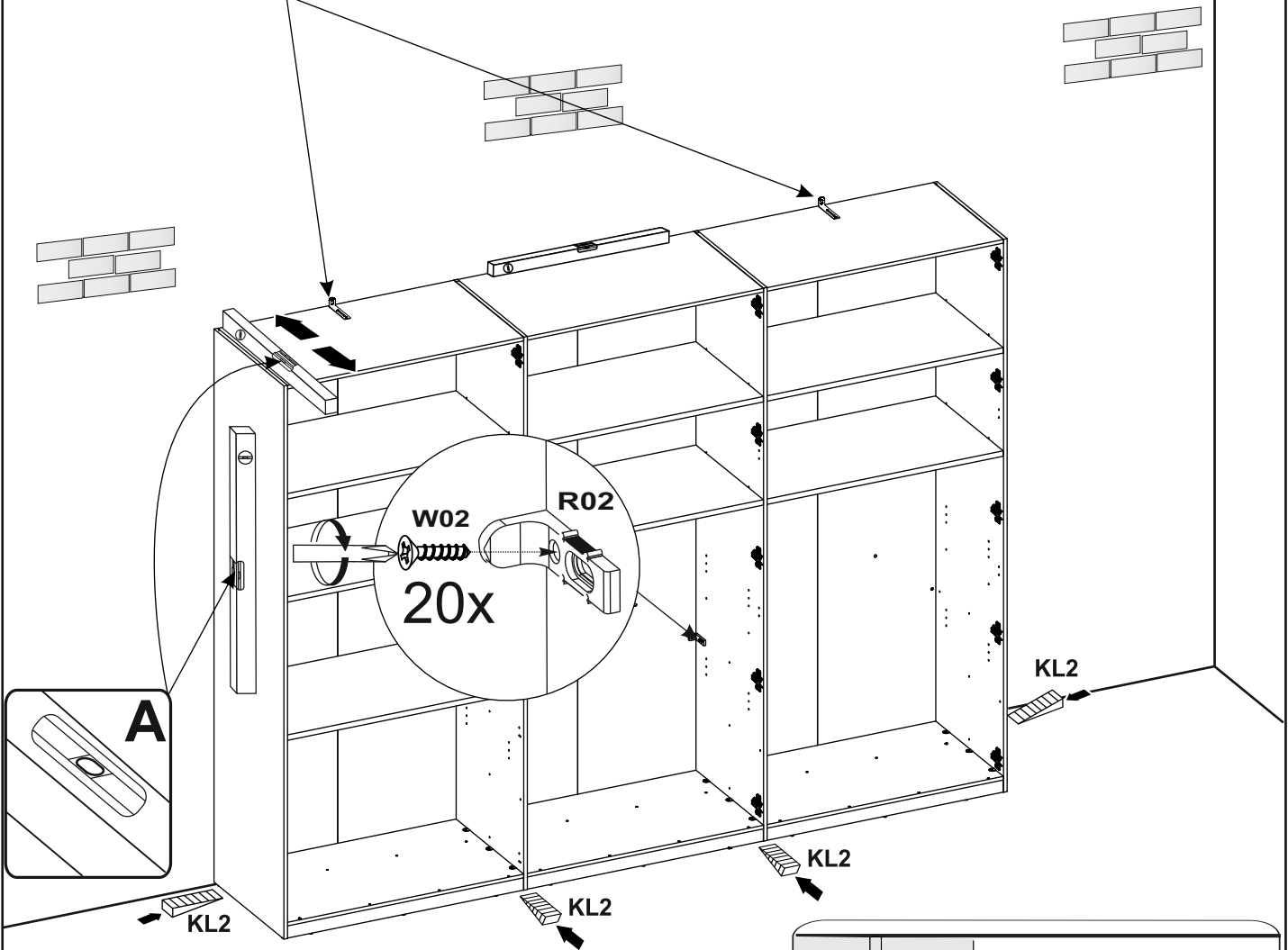
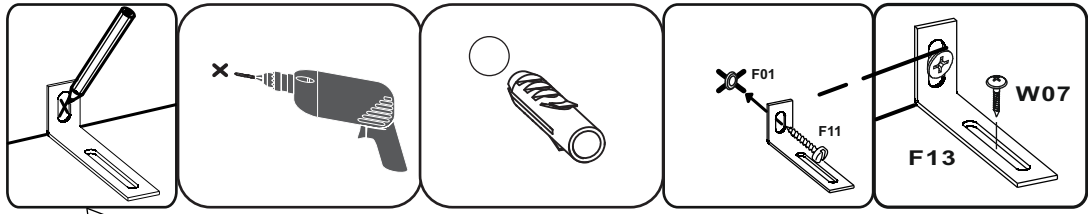


44

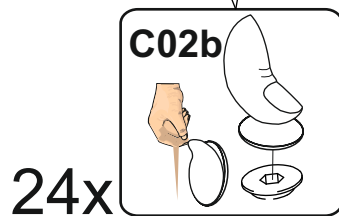
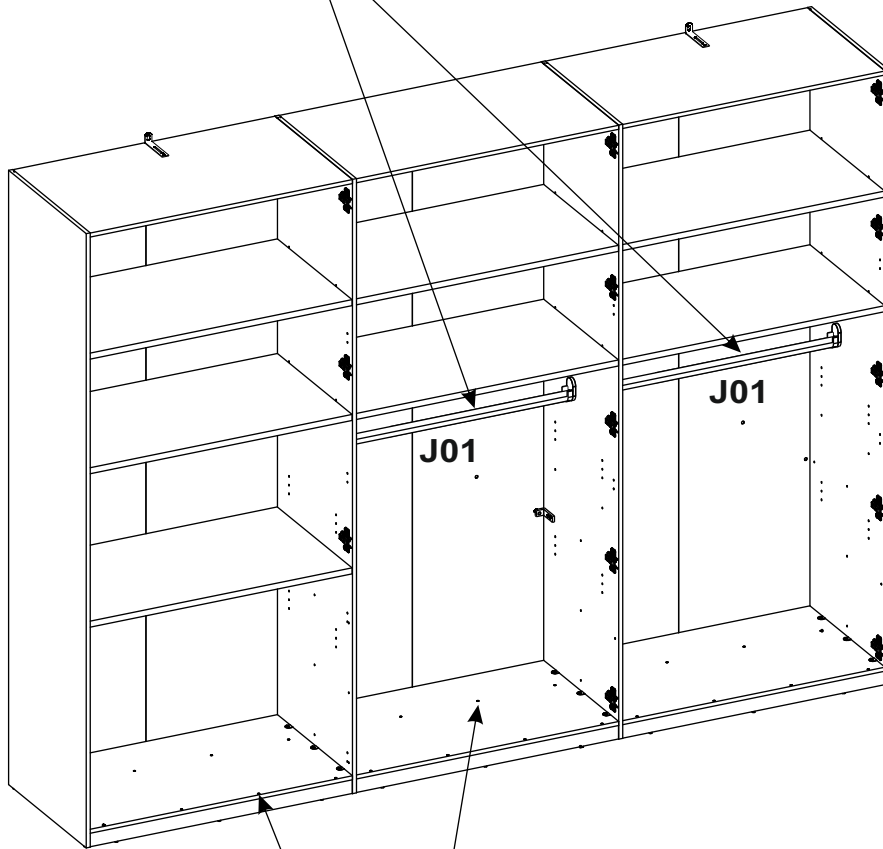
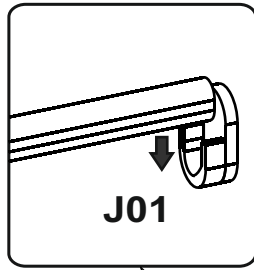
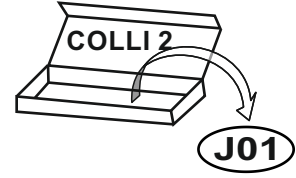
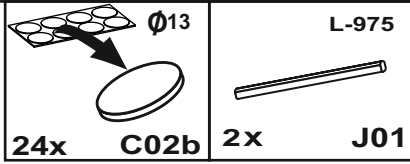


45


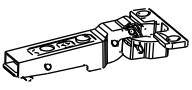
 2x F01	 2x F11	 2x F13	 4x W07	 20x W02	 4x KL2
---	---	---	---	--	---



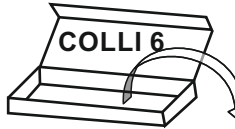
46



47


 3,5x16 W30	 Φ35 KR-8 Z26
52x	26x

COLLI 6




10 10

COLLI 7




10 10

COLLI 2



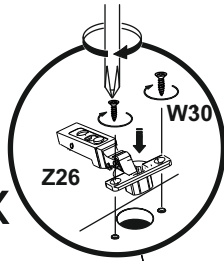
5

COLLI 5


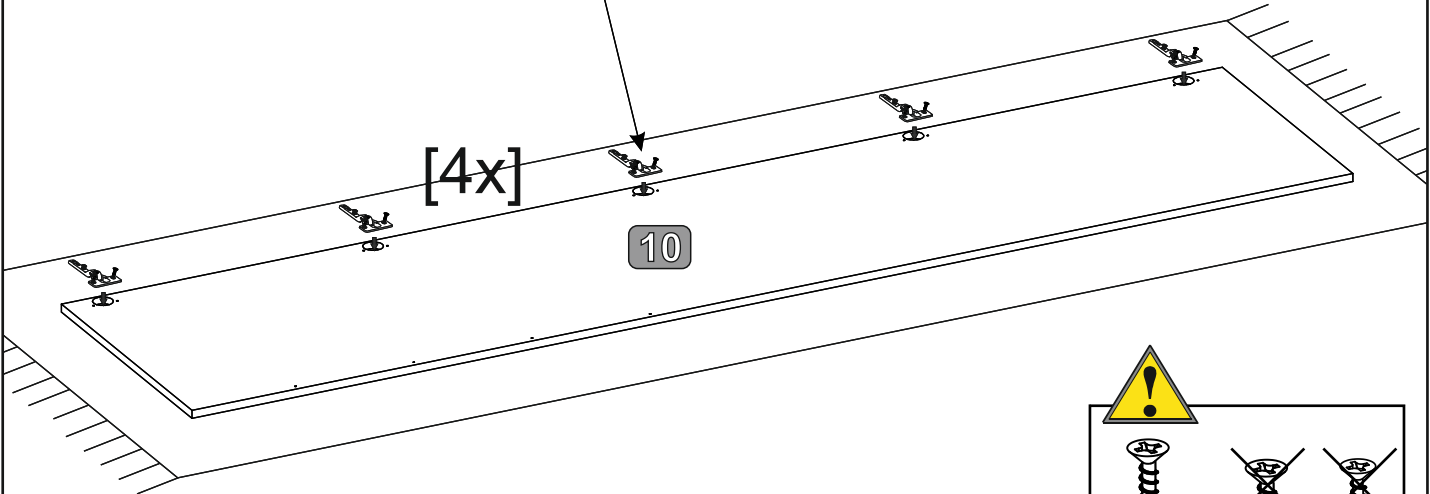





5

5x

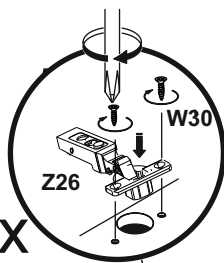


Z26 W30

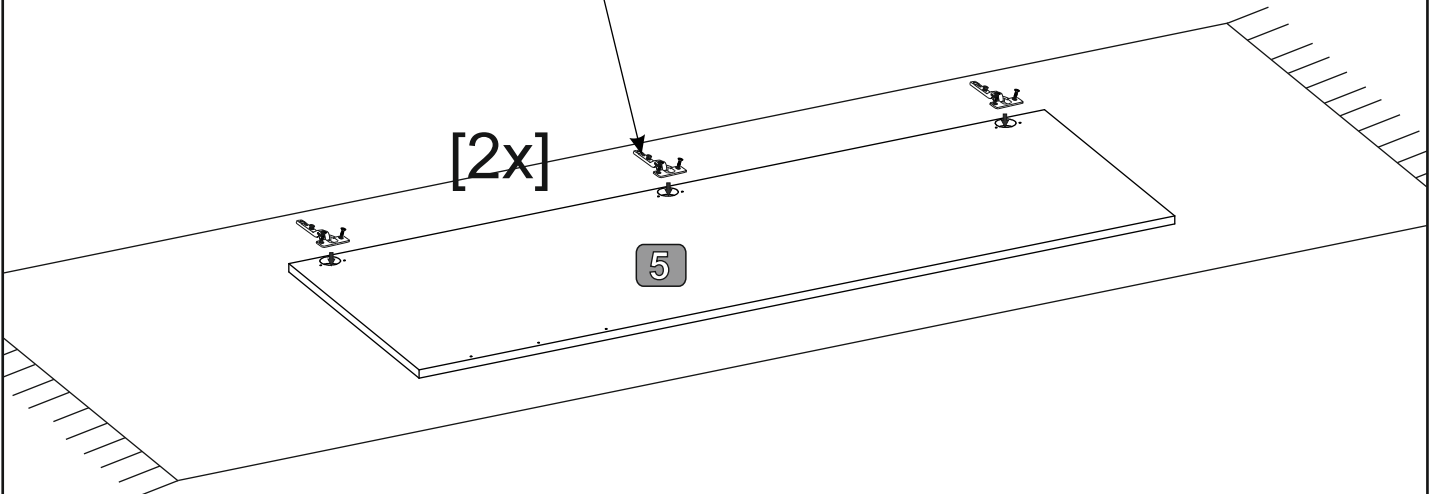


		
W30 3,5x16	W02 3,5x13	W03 3x13




3x

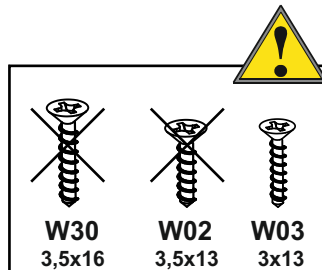
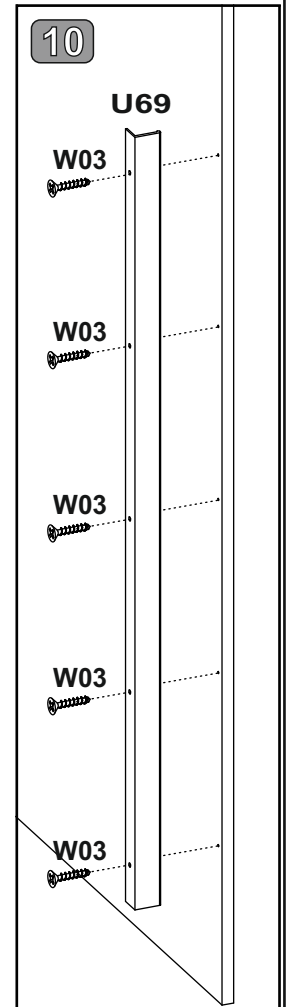
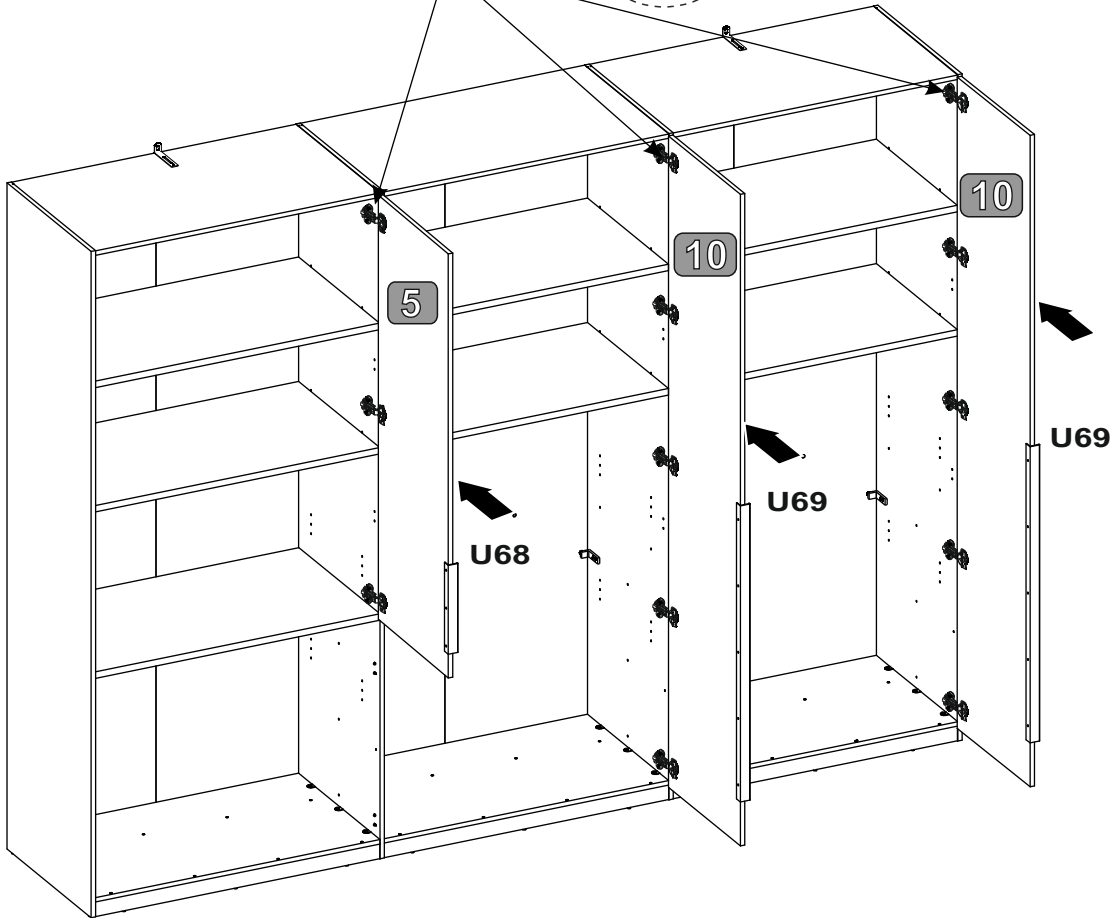
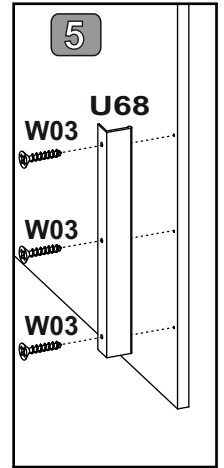
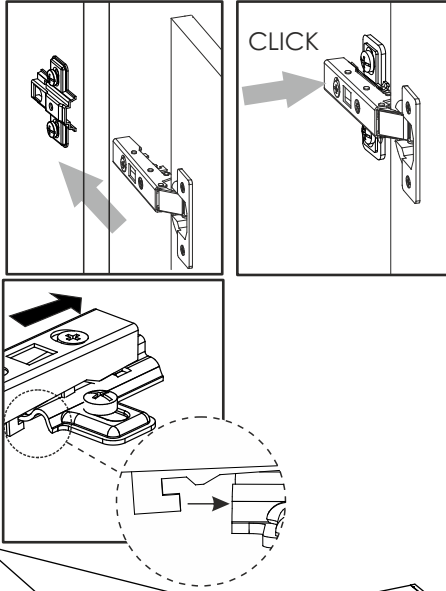
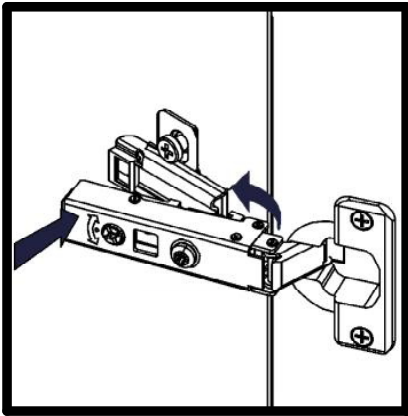


Z26 W30

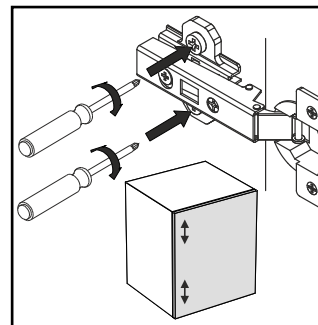
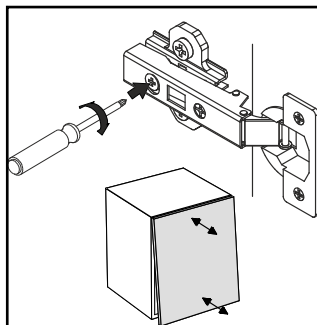
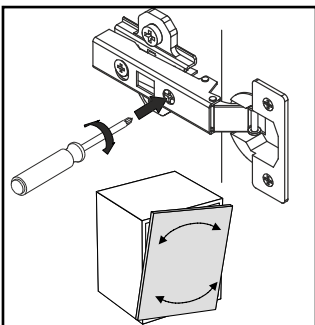
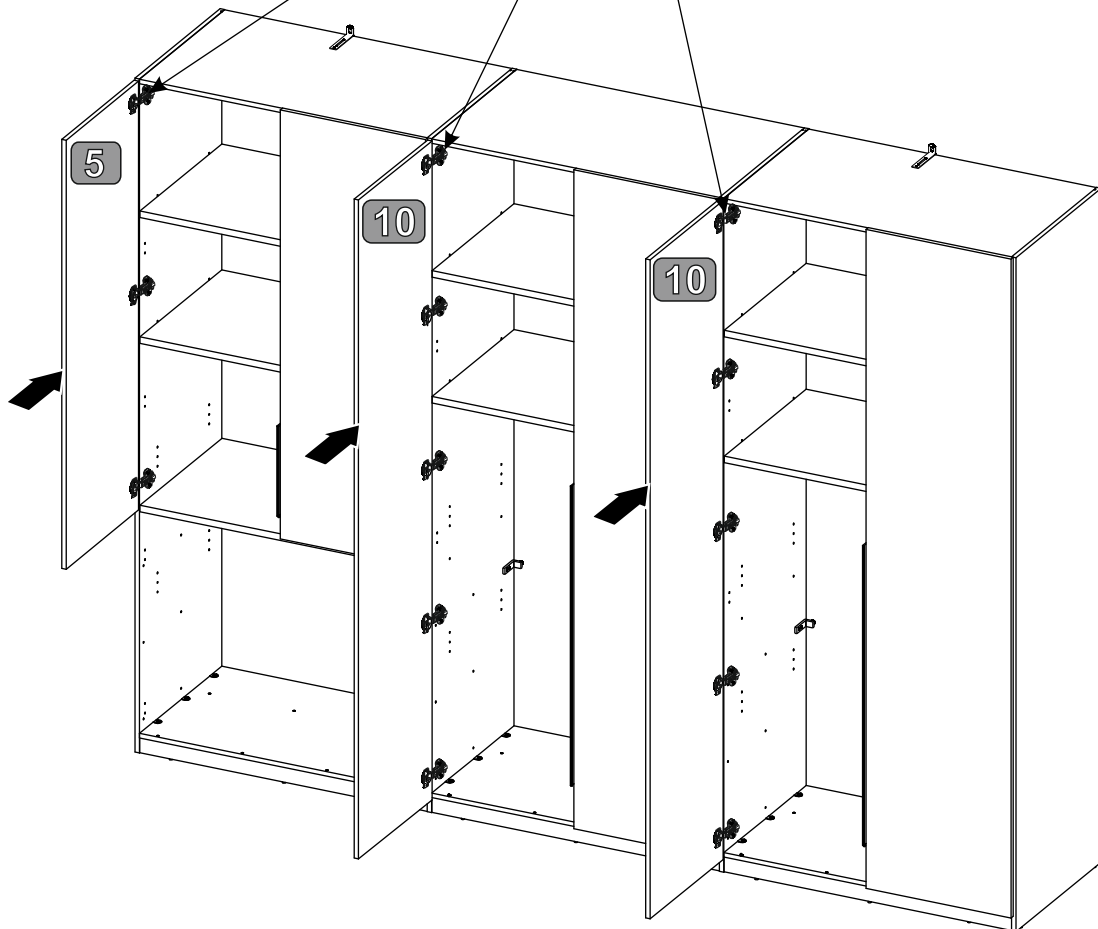
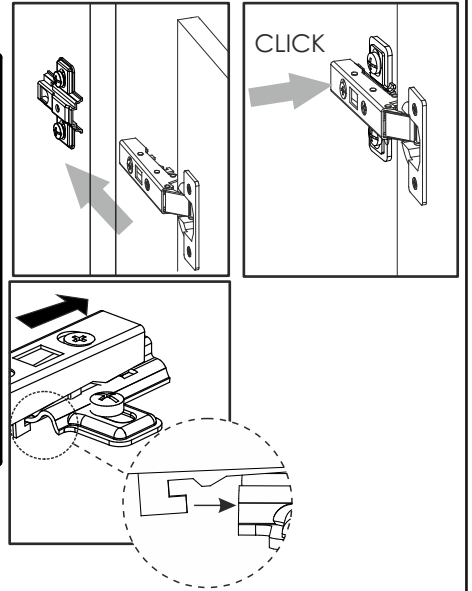
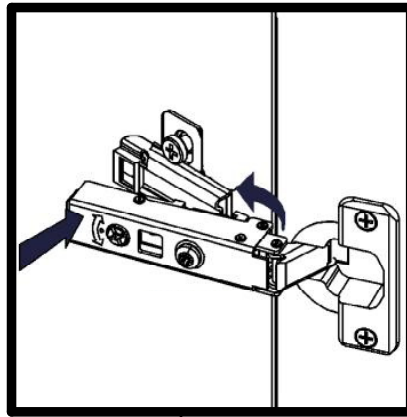


48


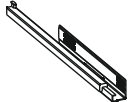

L-300	L-1000	3 x 13
		
1x U68	2x U69	13x W03

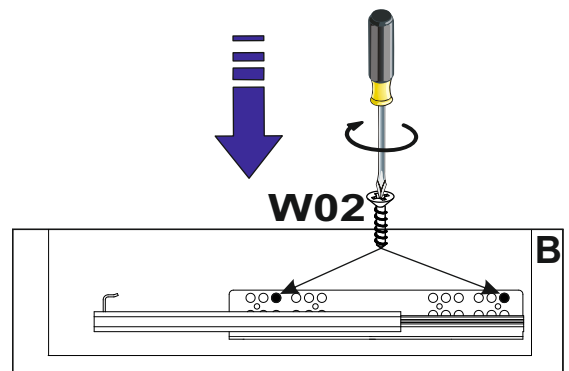
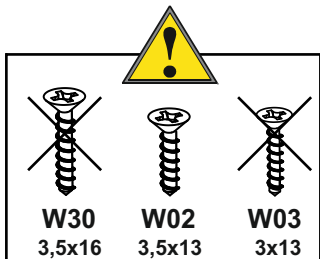
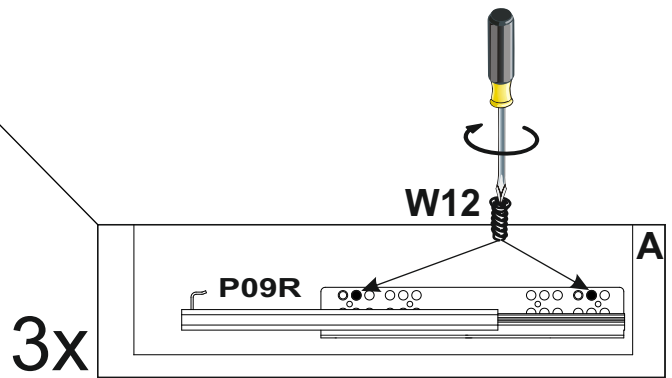
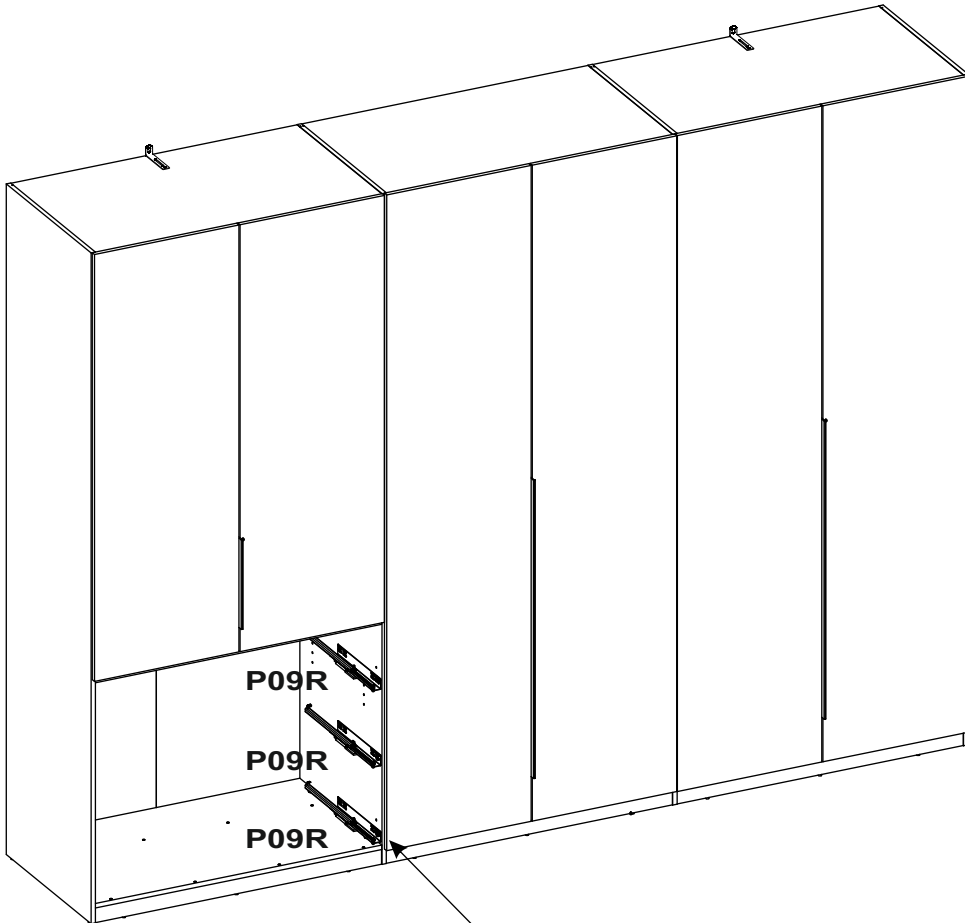


49






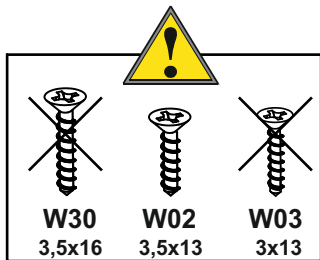
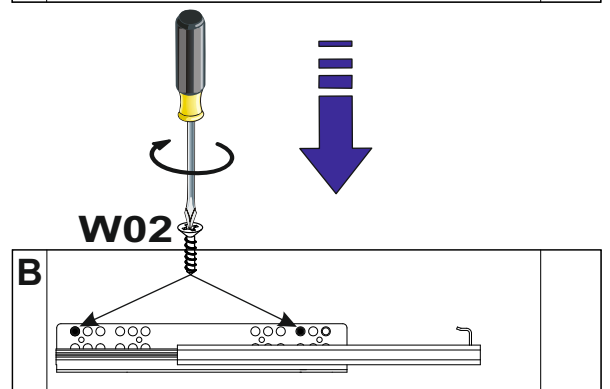
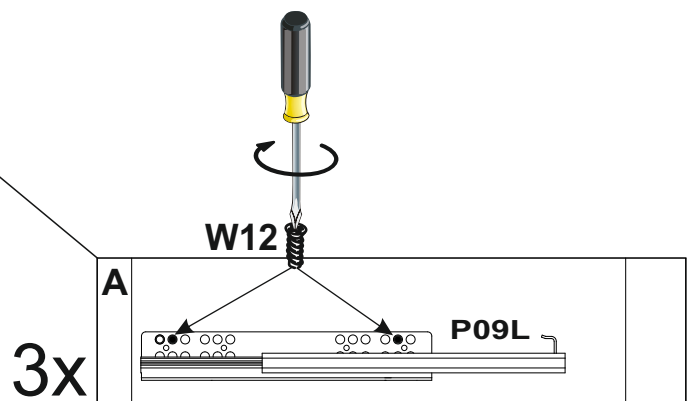
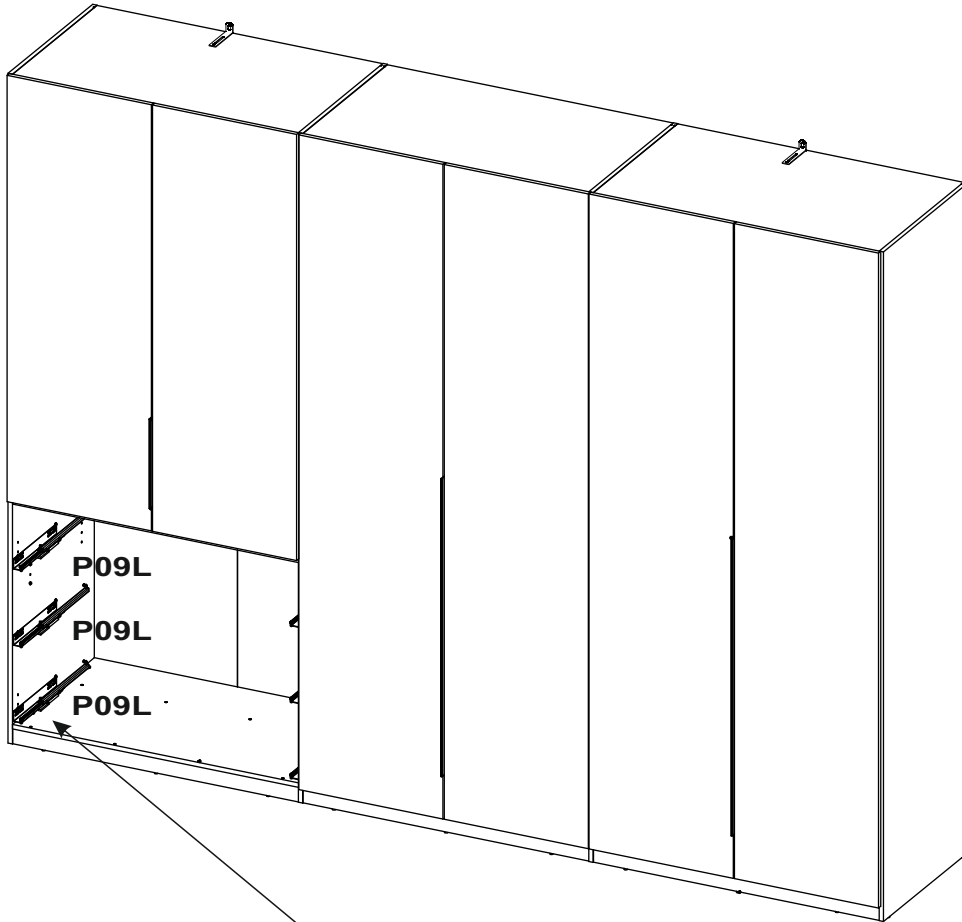
50

 3,5x13		 6x11
6x W02	3x P09R	6x W12



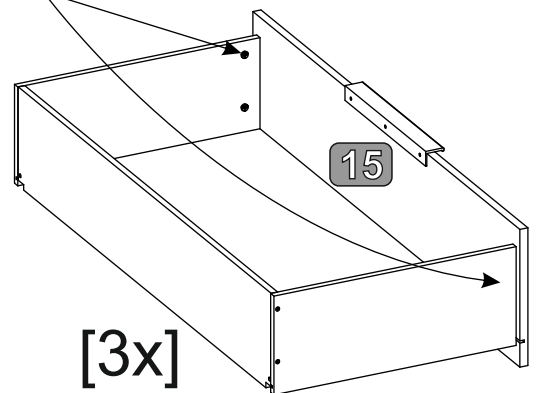
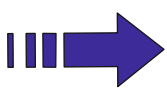
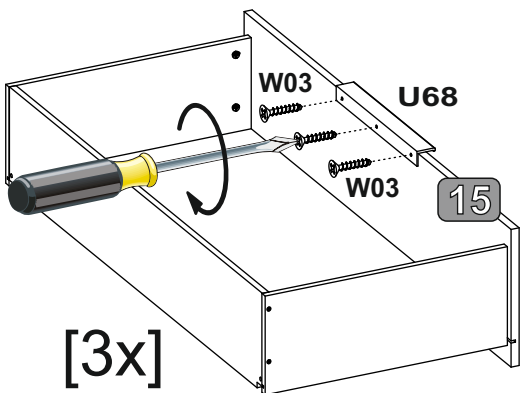
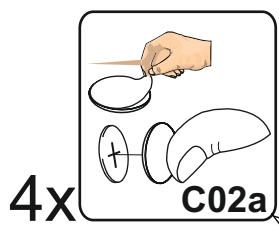
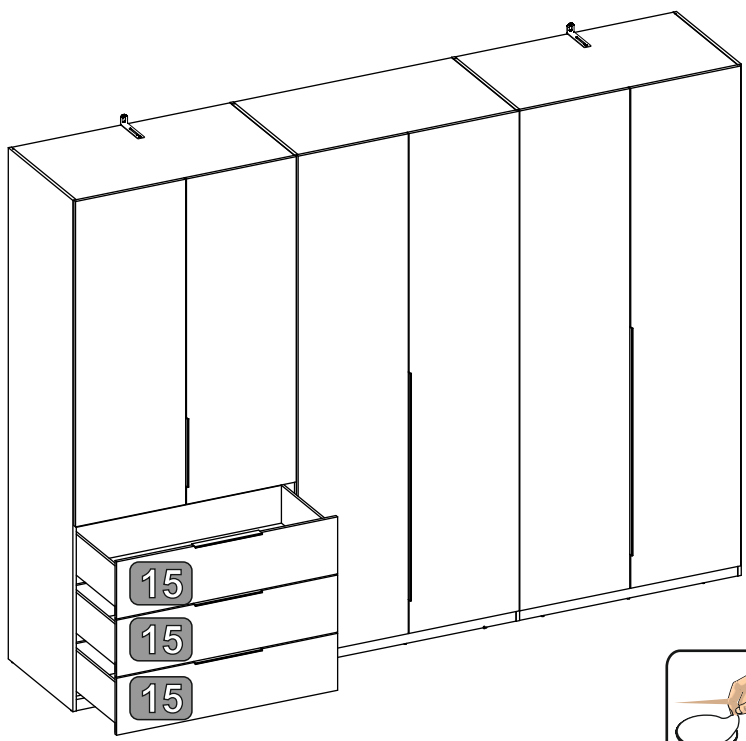
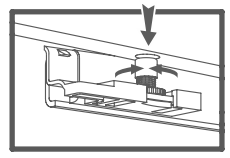
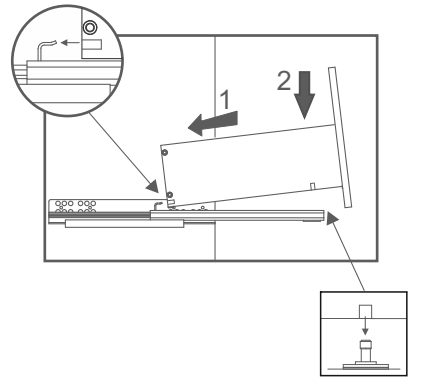
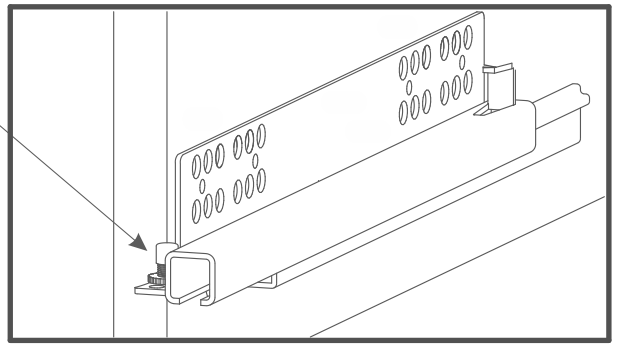
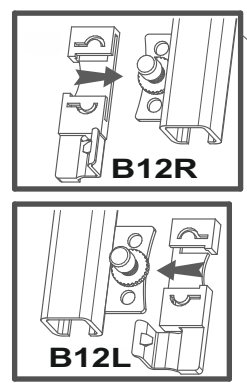
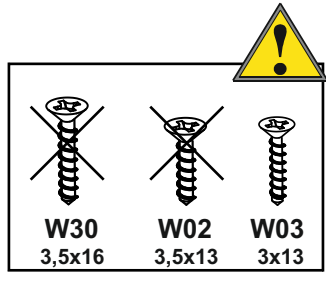
51

 3,5x13 6x	 3x	 6x11 6x
W02	P09L	W12



52

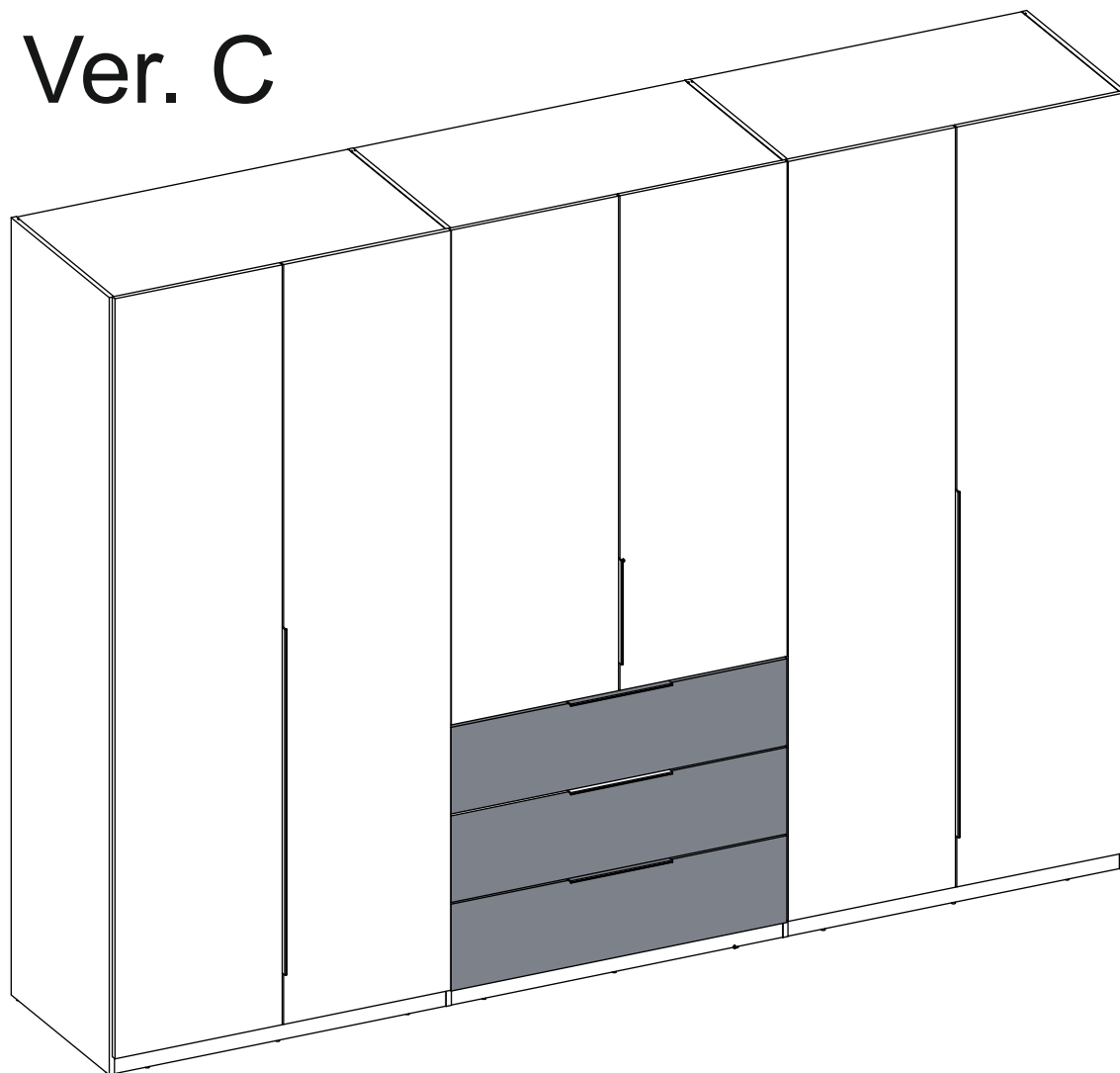
- 9x 3 x13 W03
- 3x L-300 U68
- 12x Ø20 C02a
- 3x B12L
- 3x B12R



53

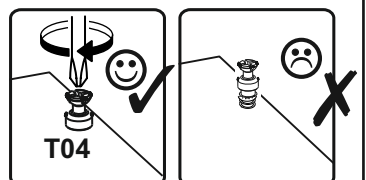
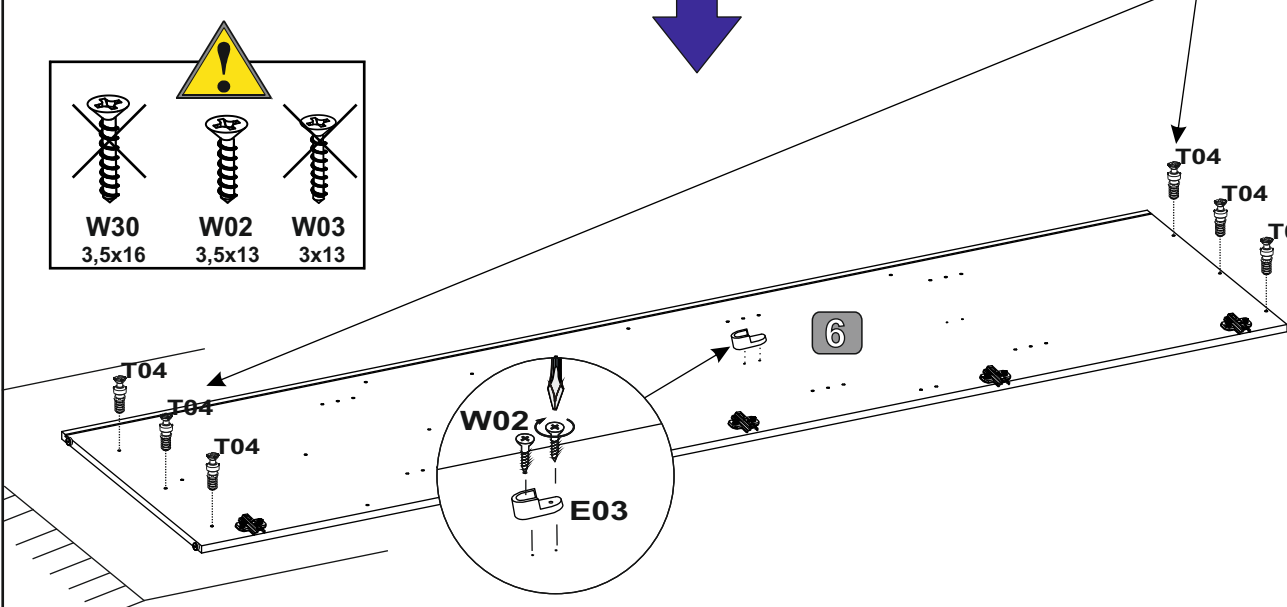
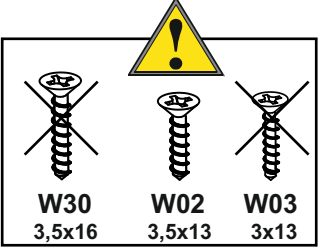
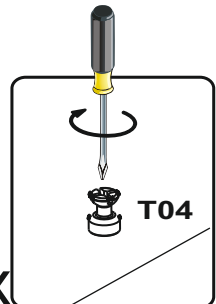
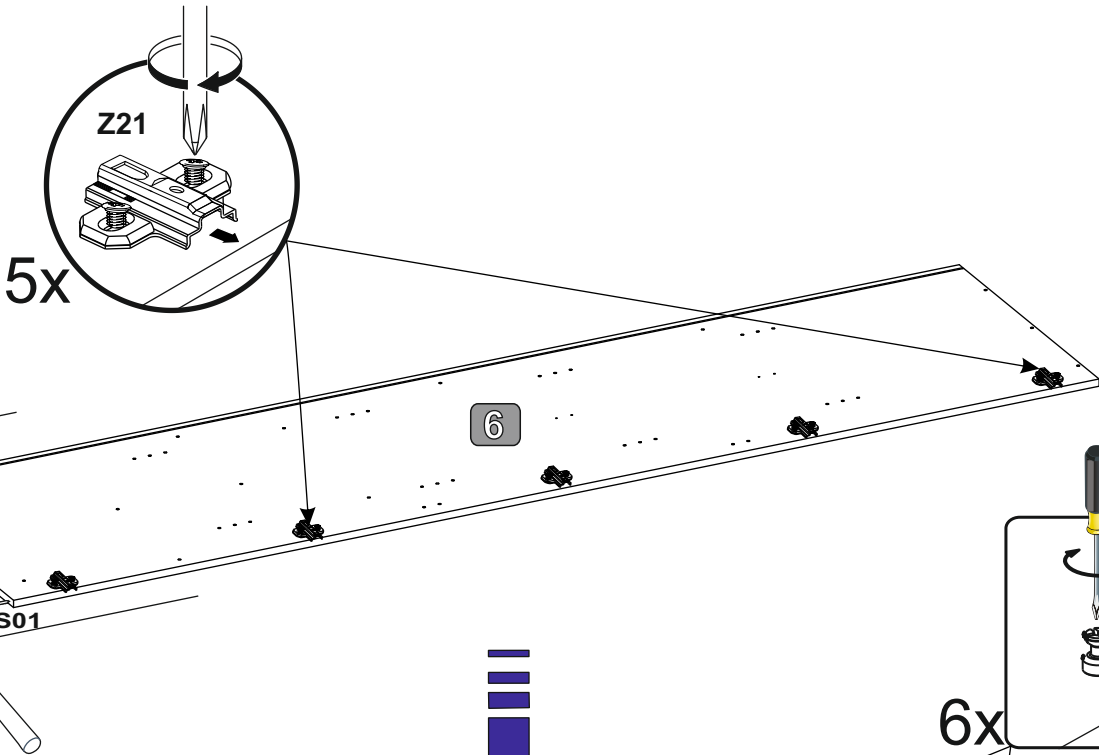
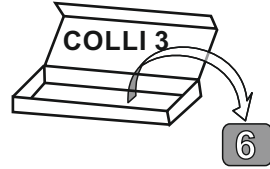
 51/65-64/65

Ver. C



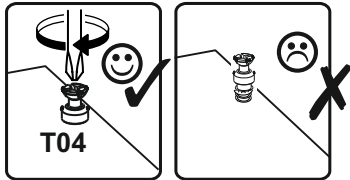
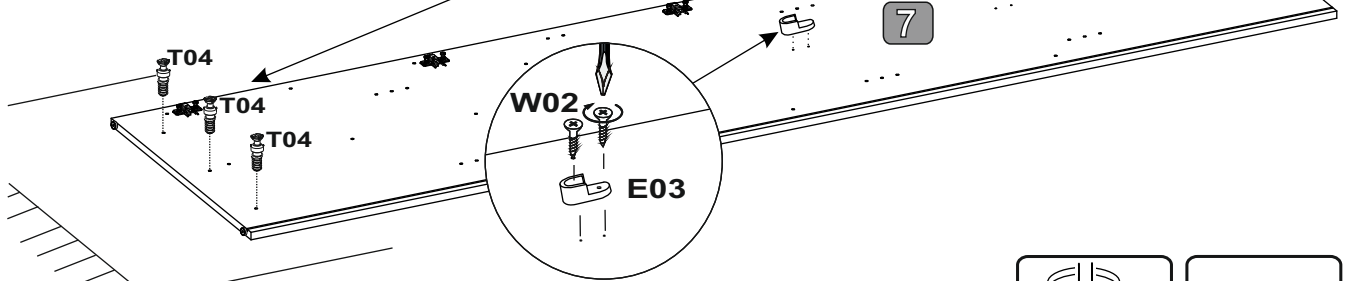
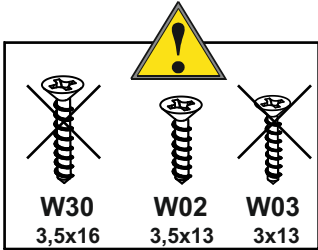
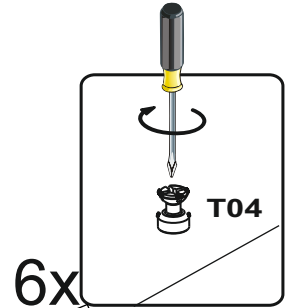
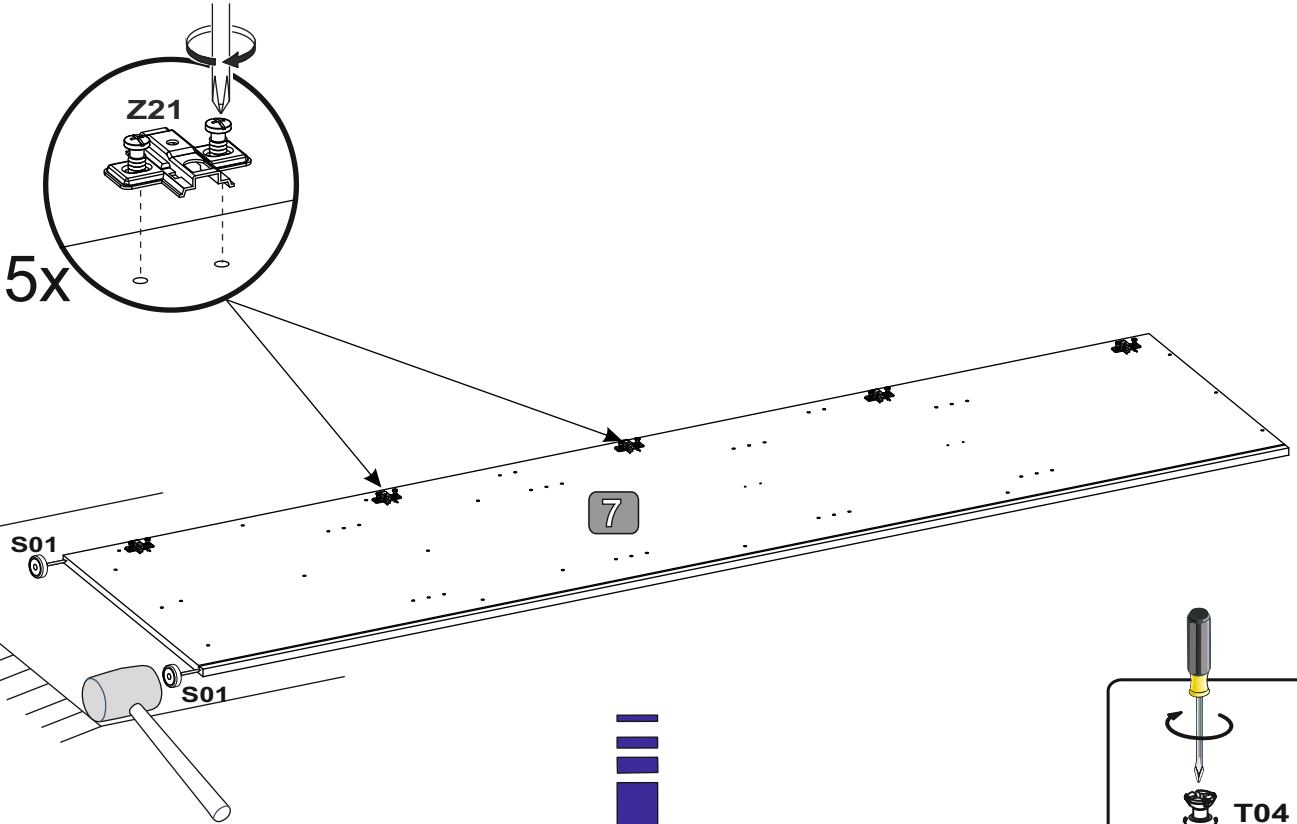
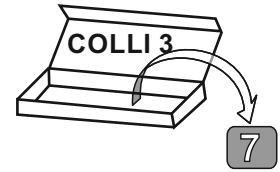
54

6x	T04	2x	S01	5x	Z21	1x	E03
	3,5x13						
2x	W02						



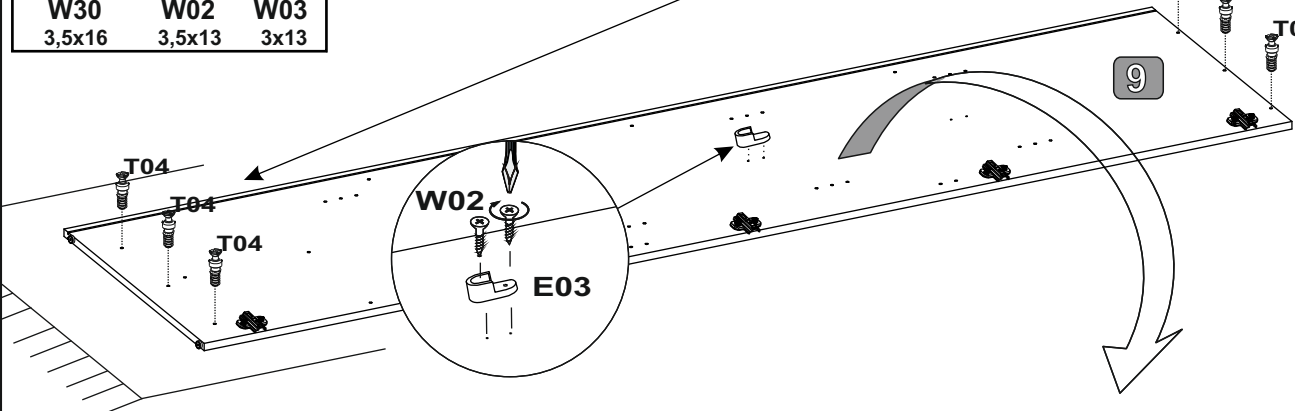
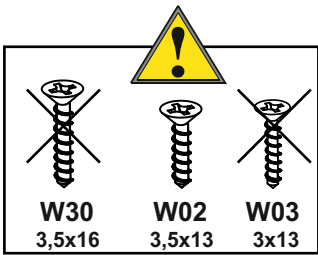
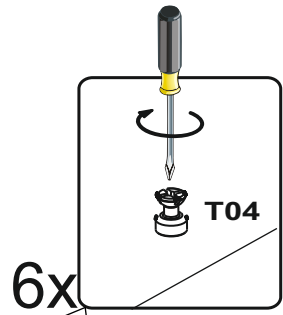
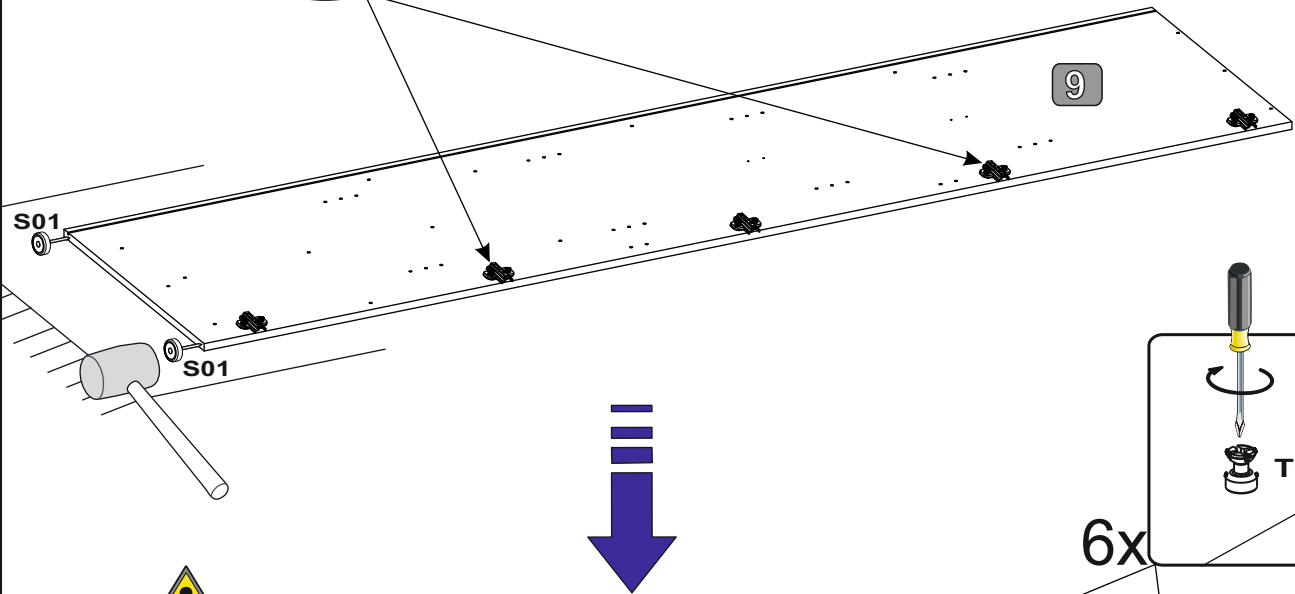
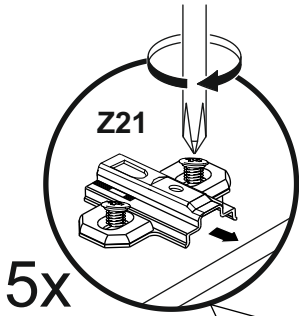
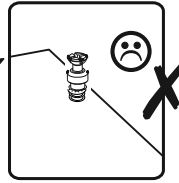
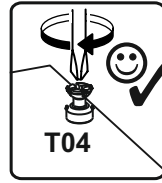
55

6x T04 3,5x13	2x S01	1x E03
2x W02	5x Z21	



56

6x 3,5x13 T04	2x S01	1x E03
2x W02	5x Z21	COLLI 4 9



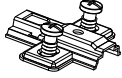
57

6x



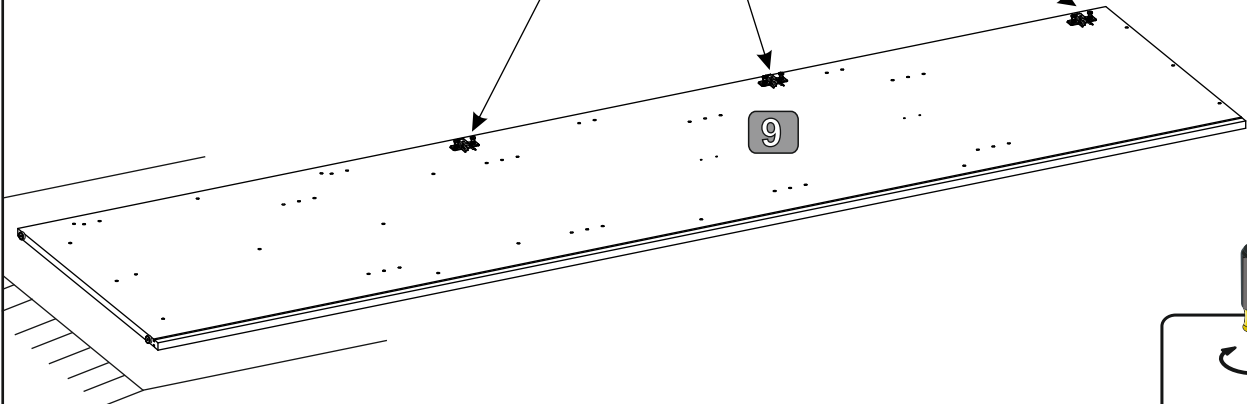
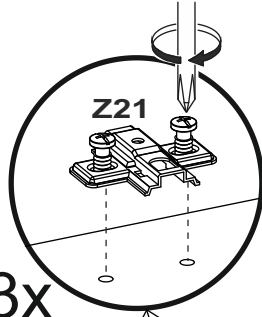
T04

3x



Z21

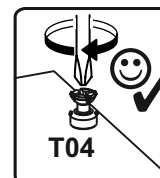
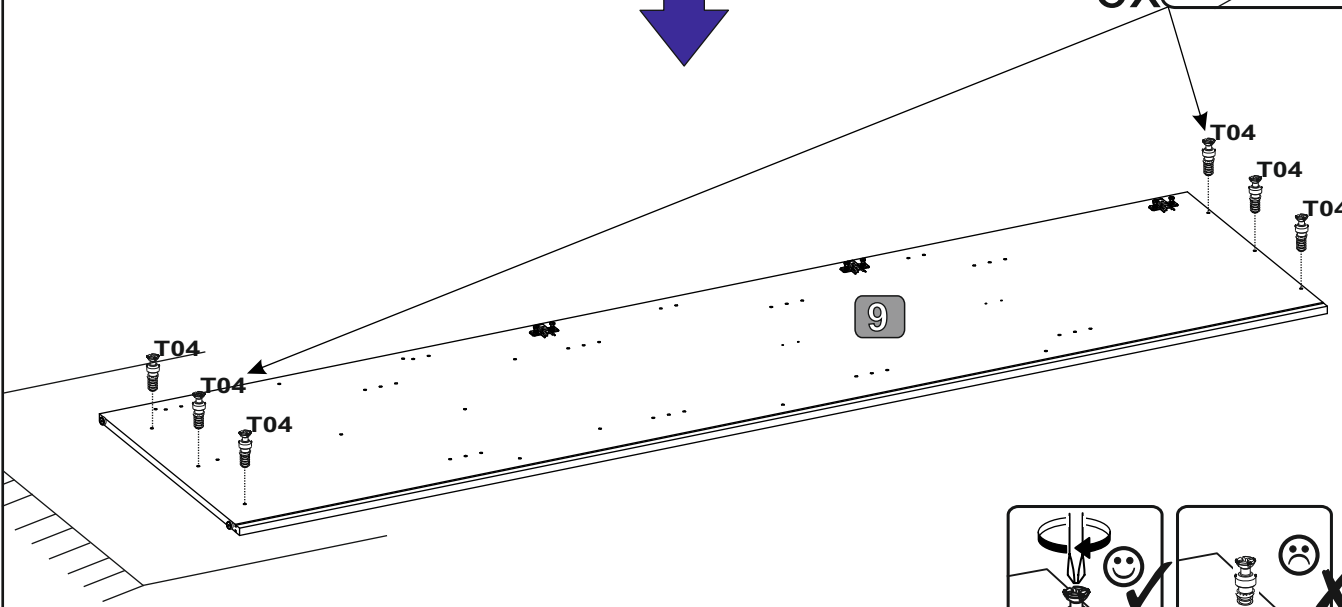
3x



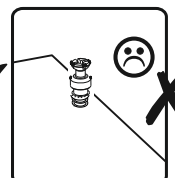
6x



T04

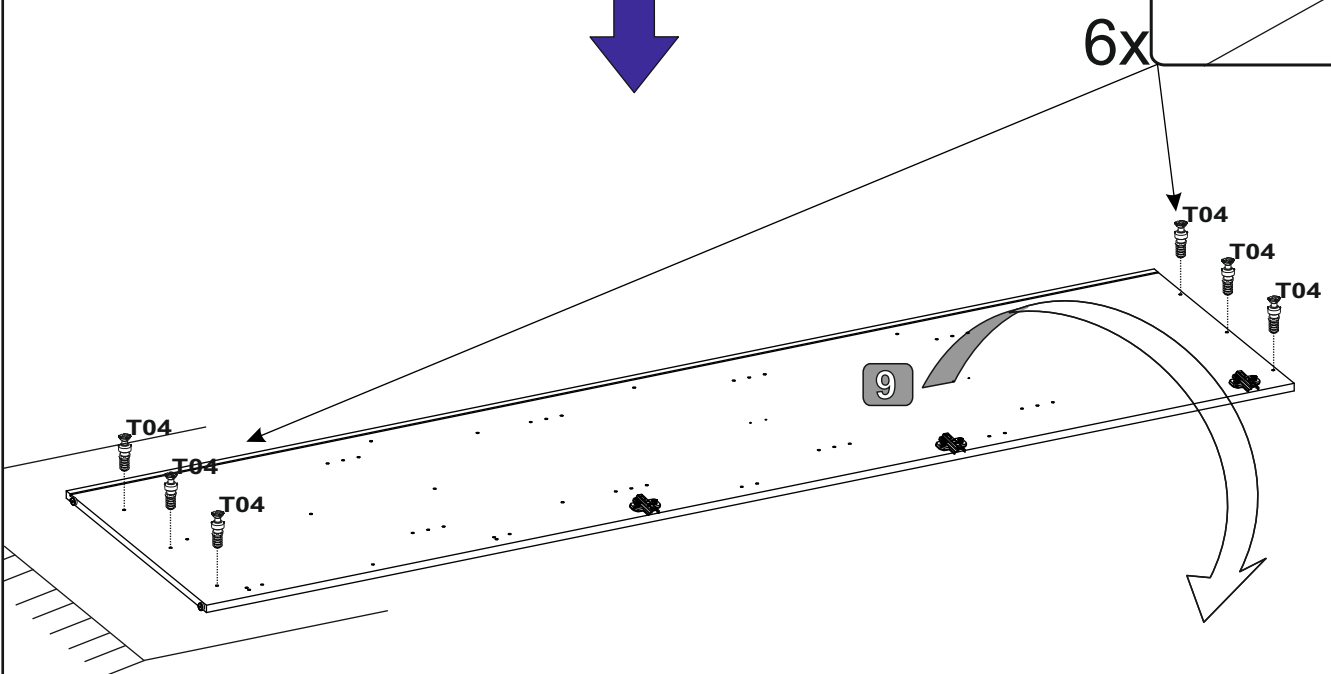
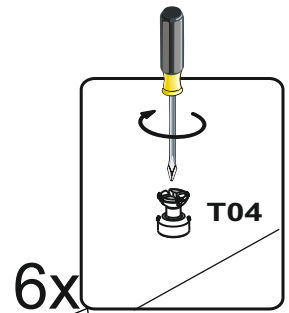
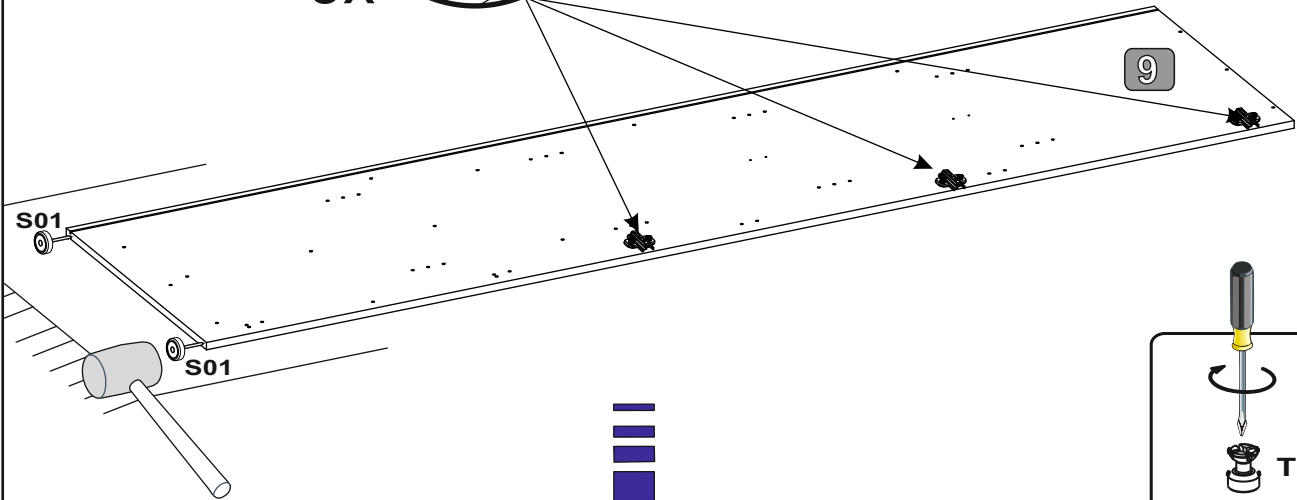
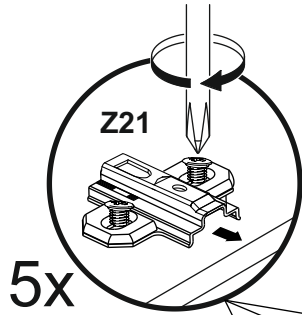
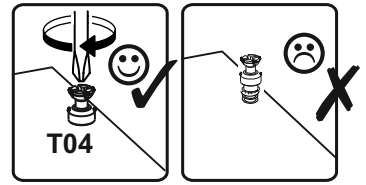
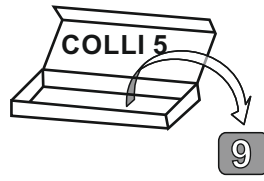


T04


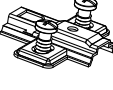

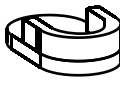


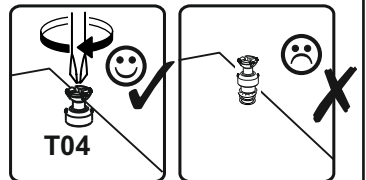
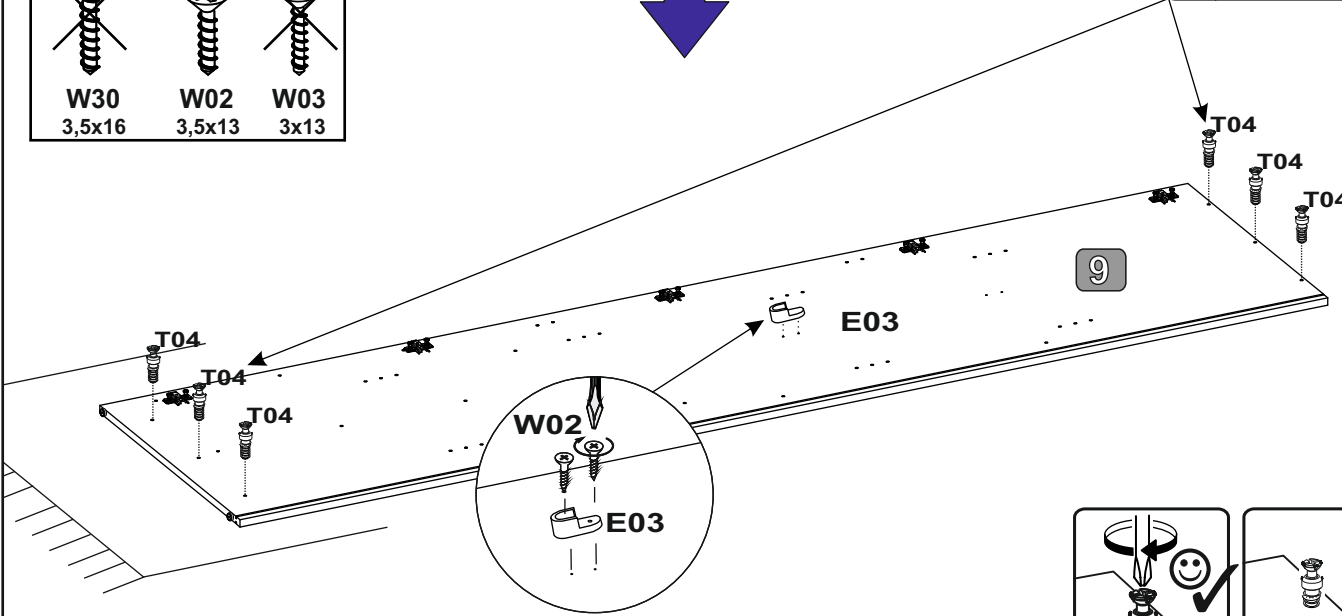
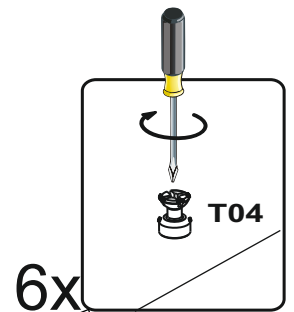
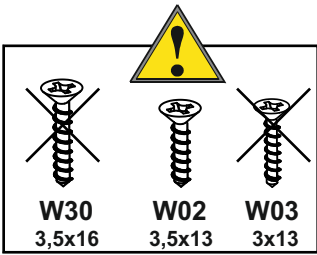
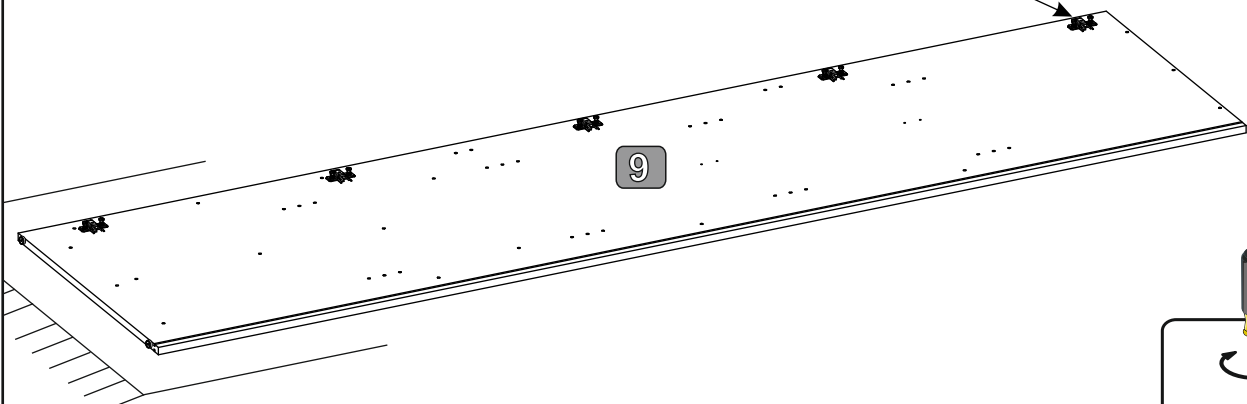
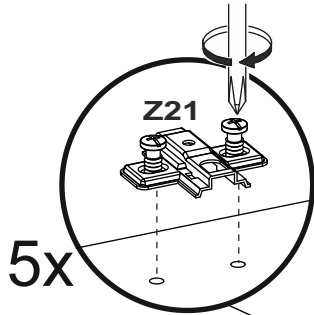
58

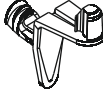
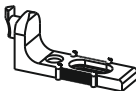

6x T04	2x S01
3x Z21	

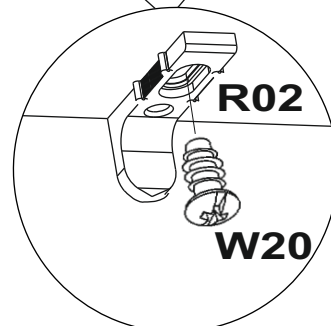
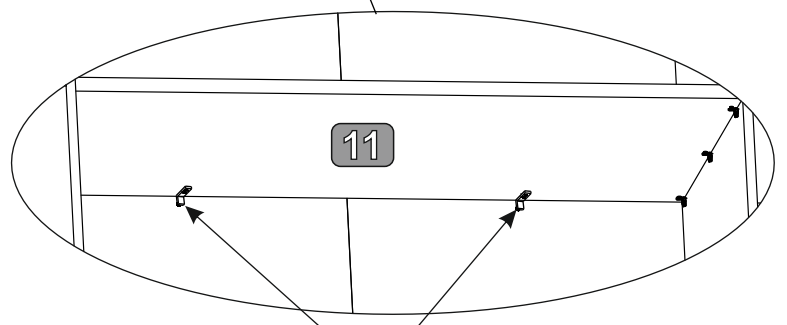
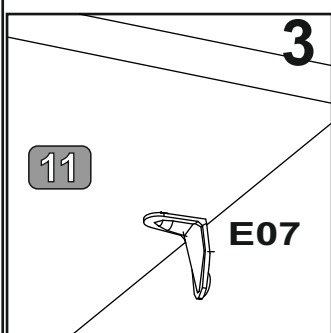
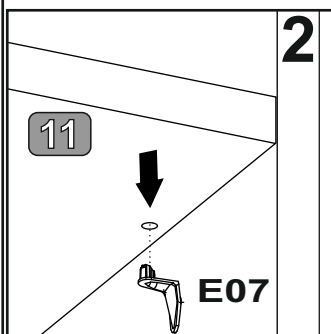
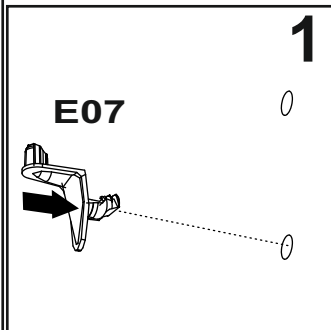
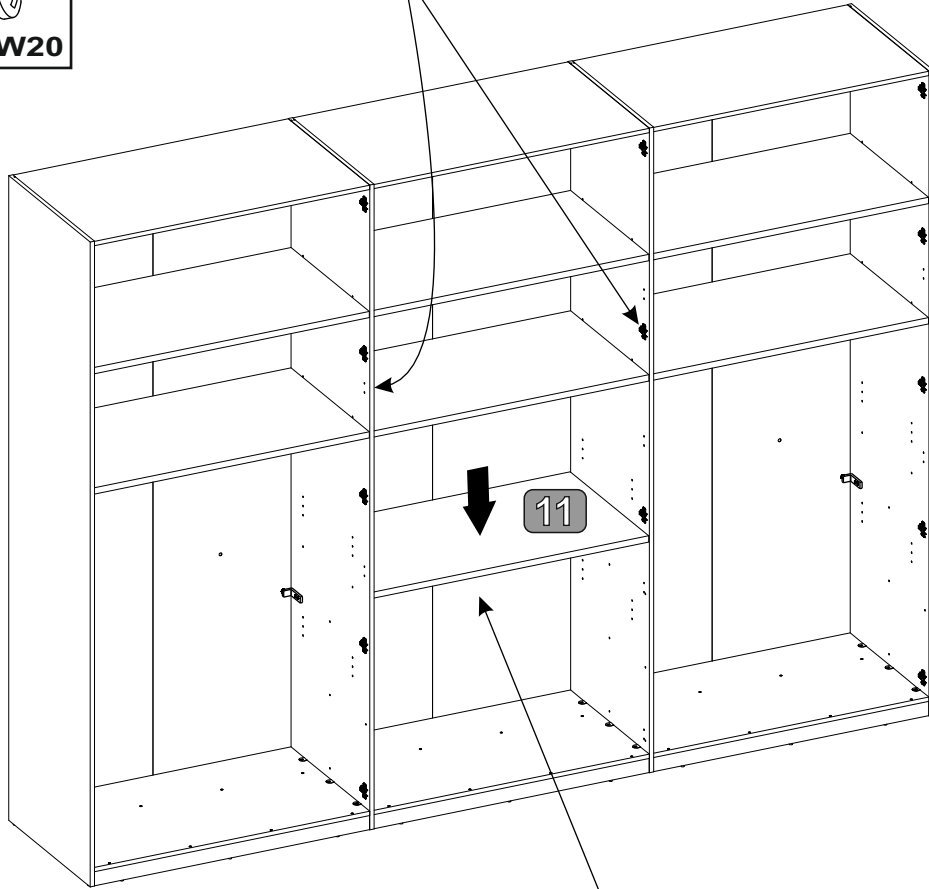
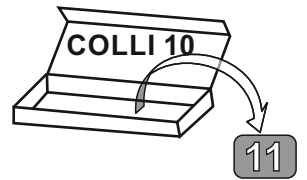
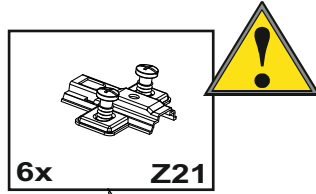


59

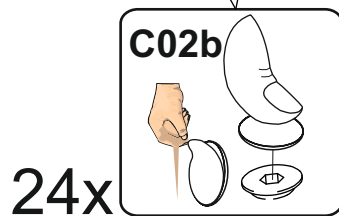
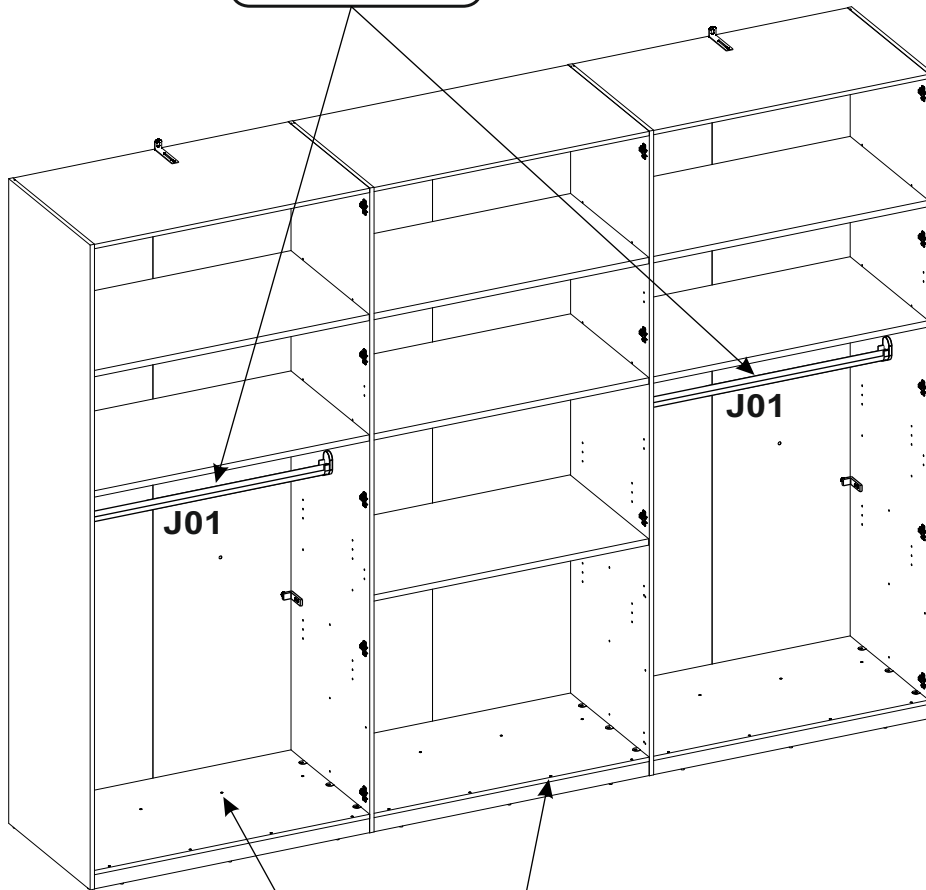
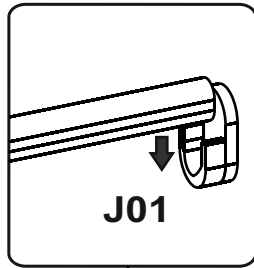
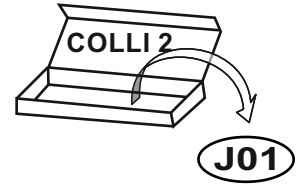
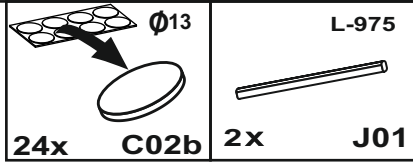
							
6x	T04	5x	Z21	2x	W02	1x	E03






60	 4x E07
 2x R02	6,3x9,5  2x W20

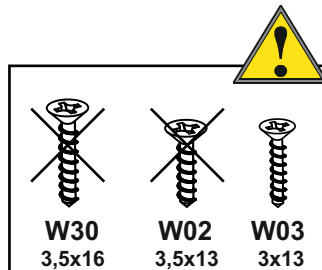
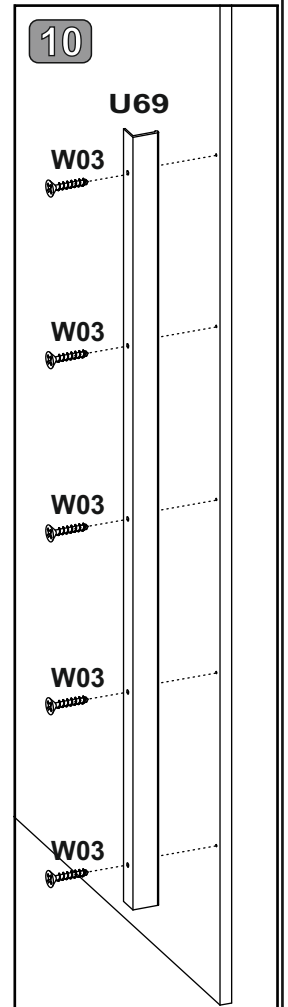
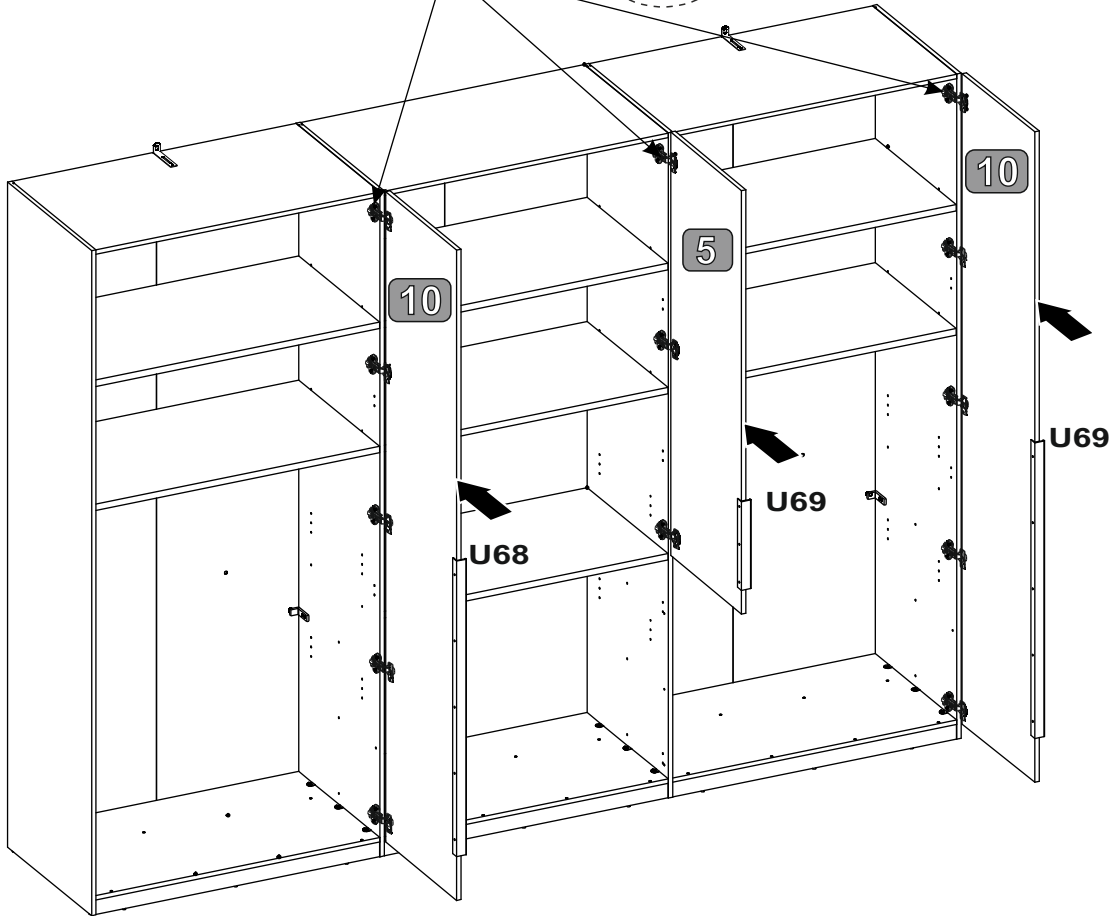
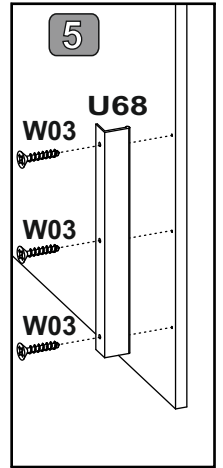
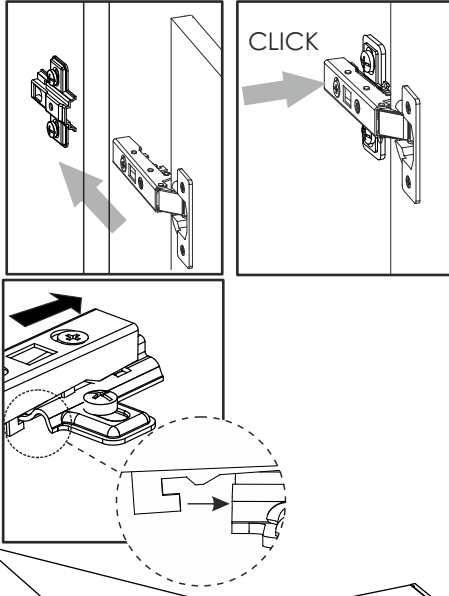
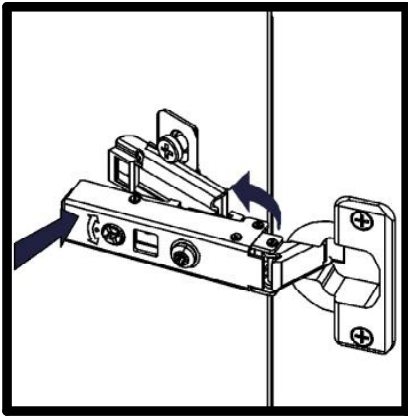


61

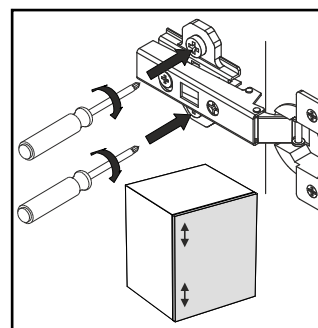
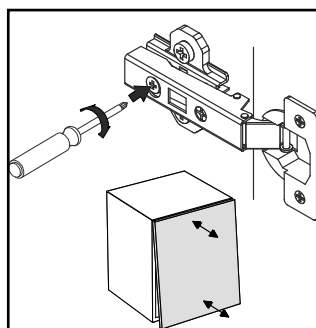
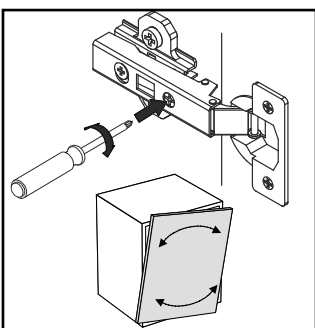
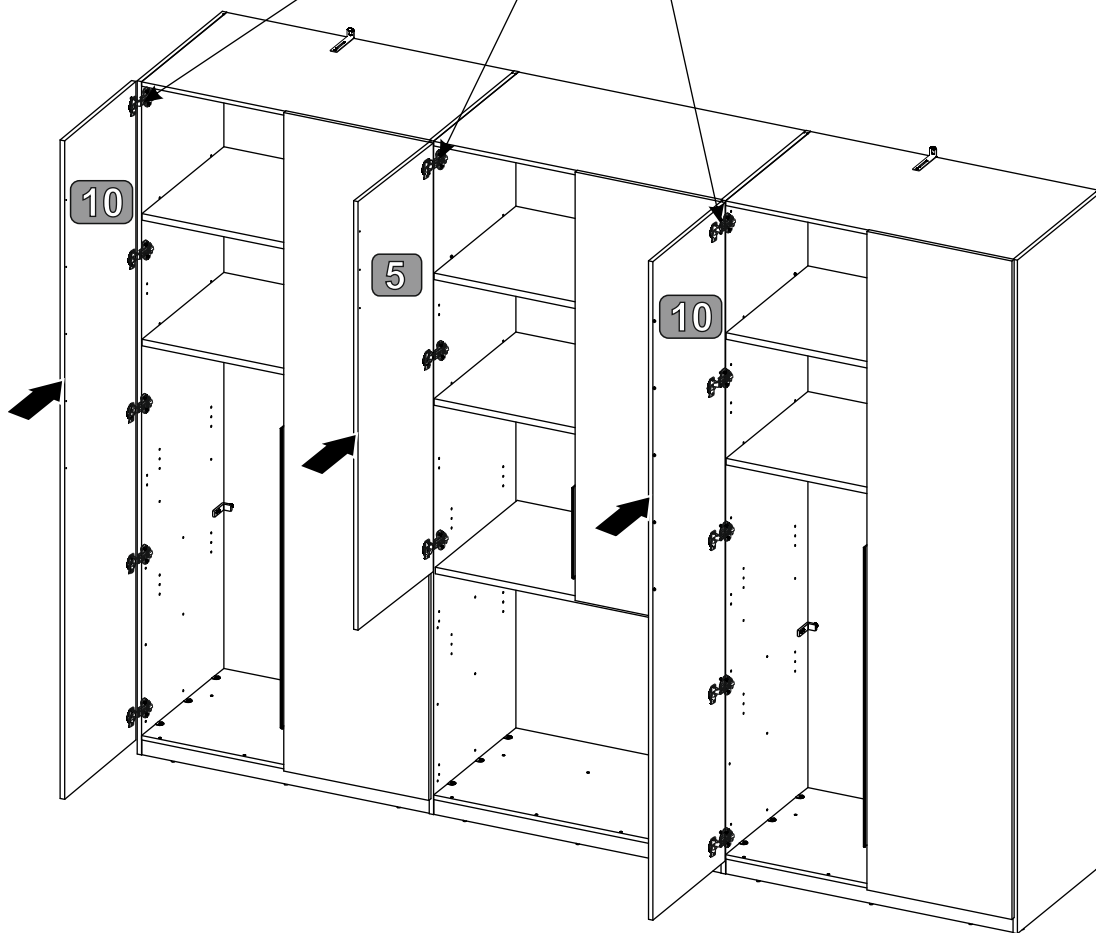
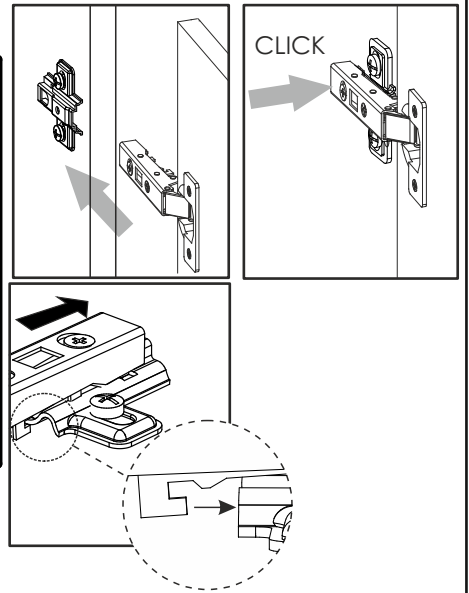
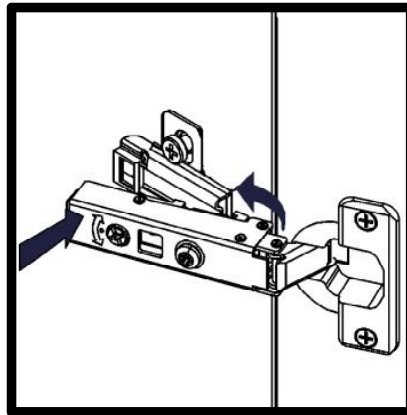


62


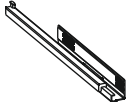

 L-300	 L-1000	 3 x13
1x U68	2x U69	13x W03

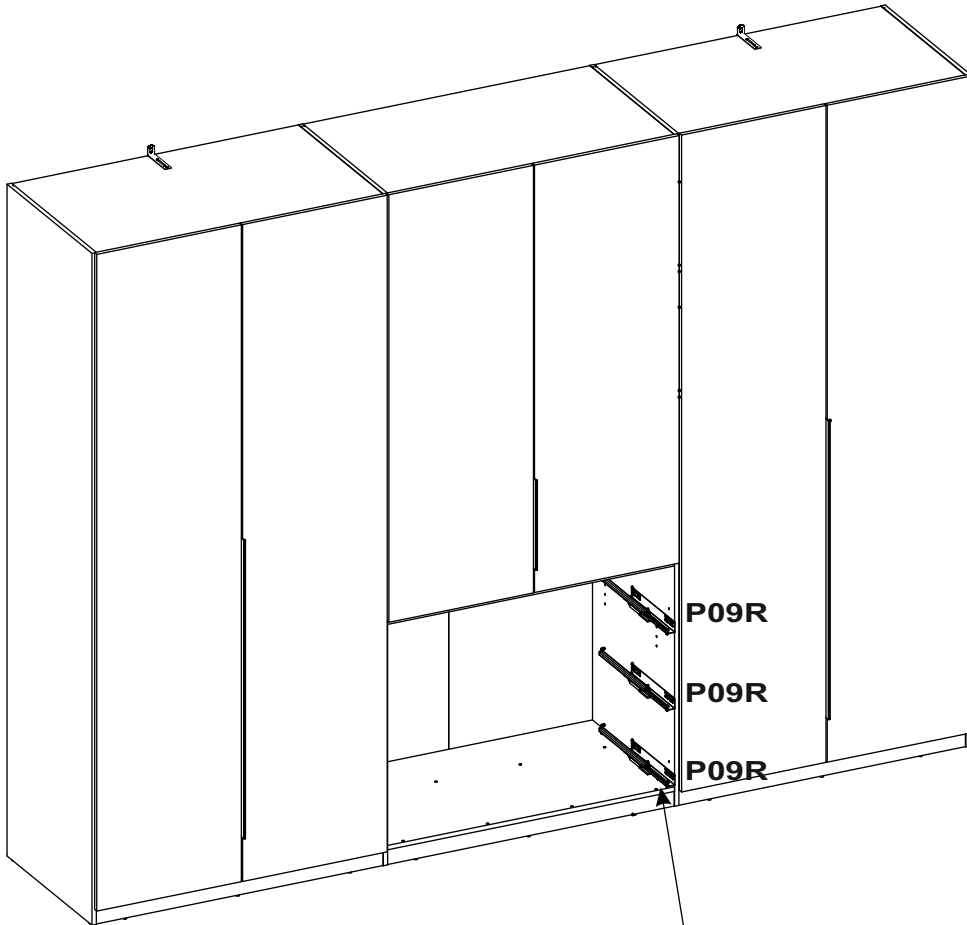


63

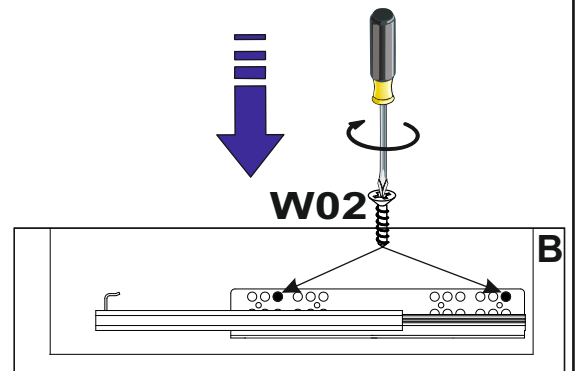
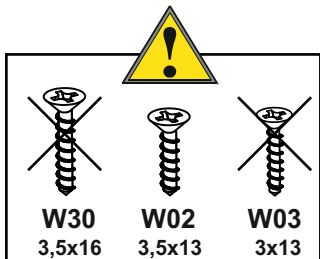
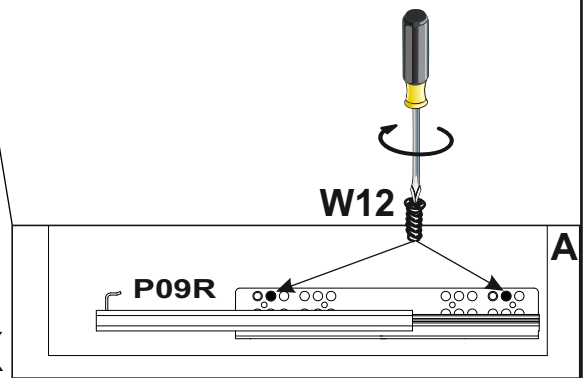


64




 3,5x13		 6x11
6x W02	3x P09R	6x W12

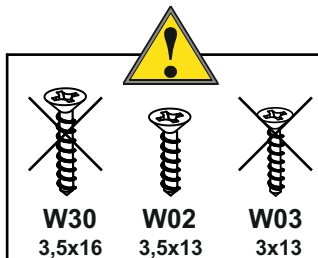
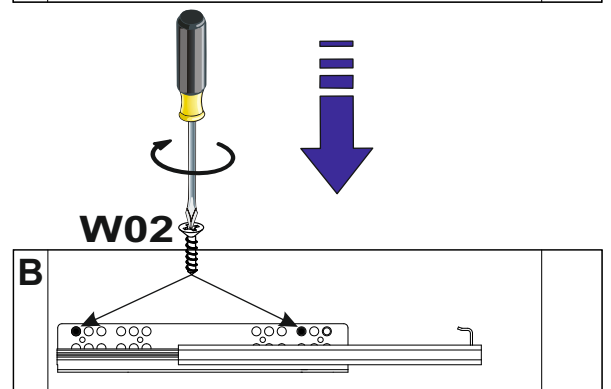
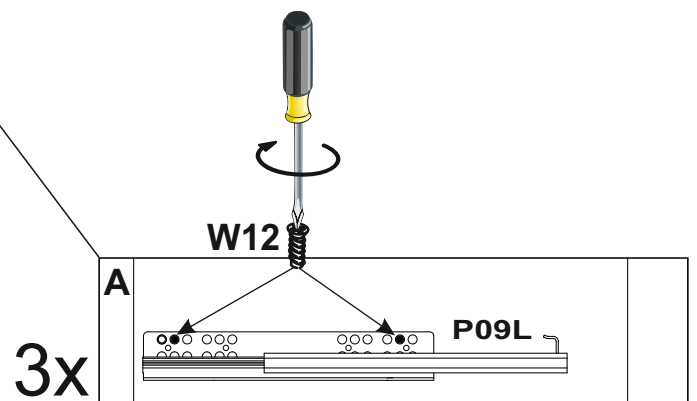
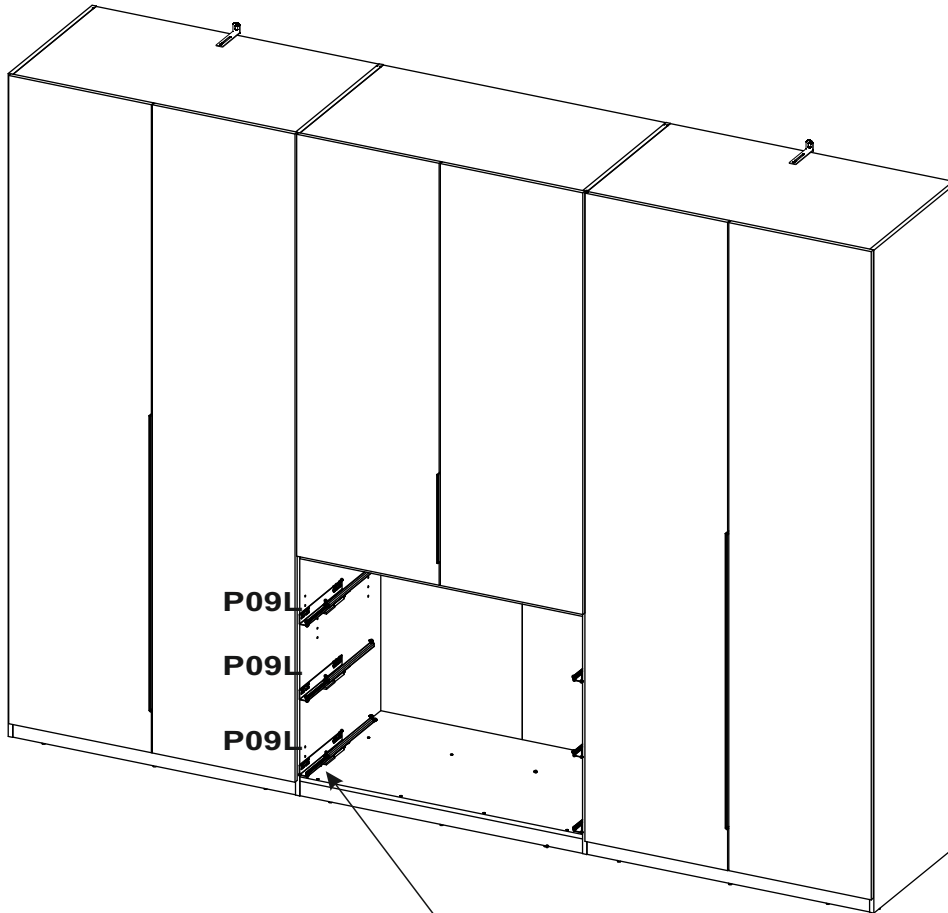


3x



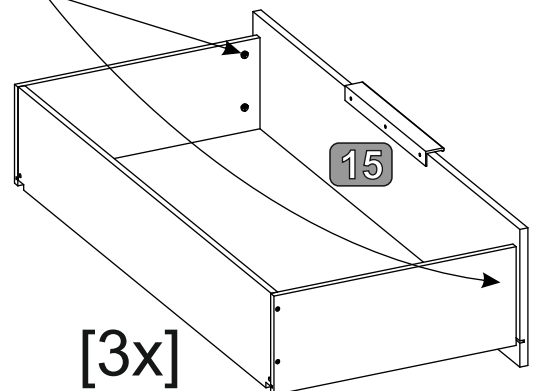
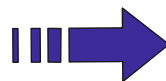
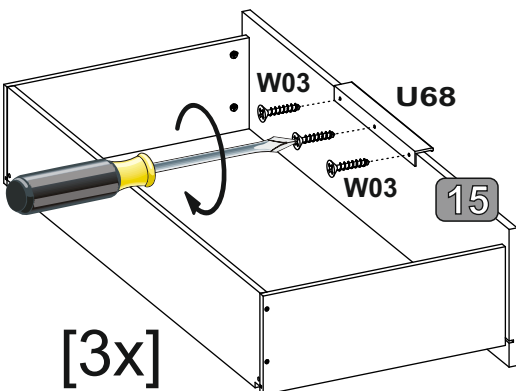
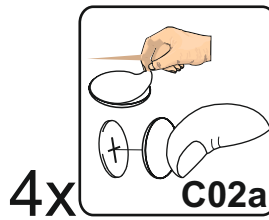
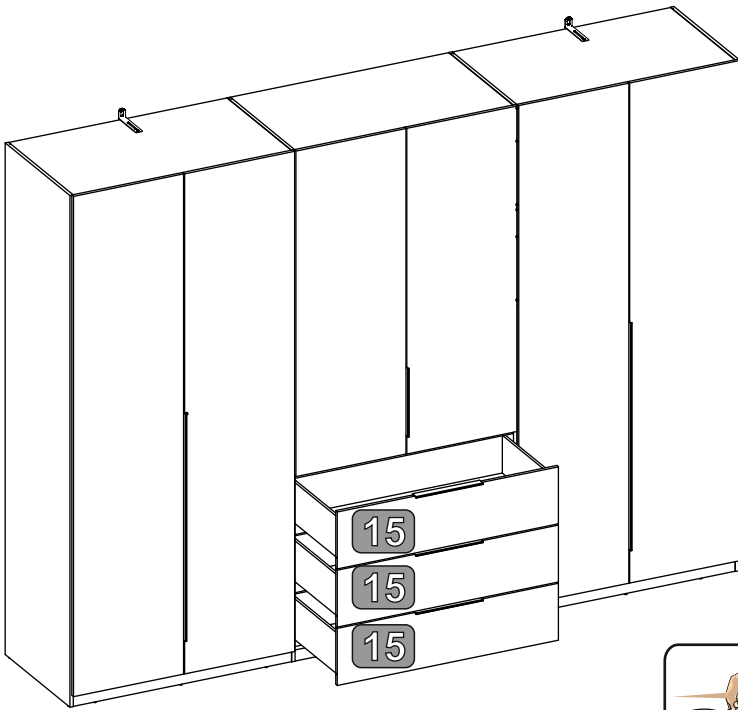
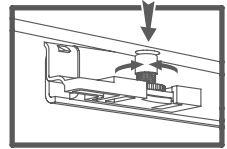
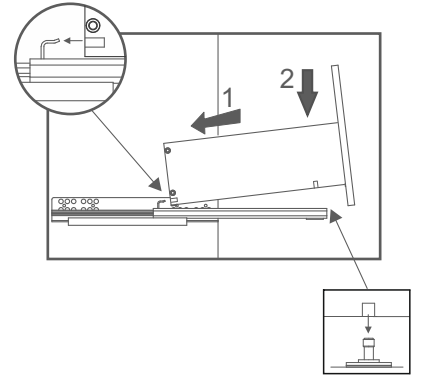
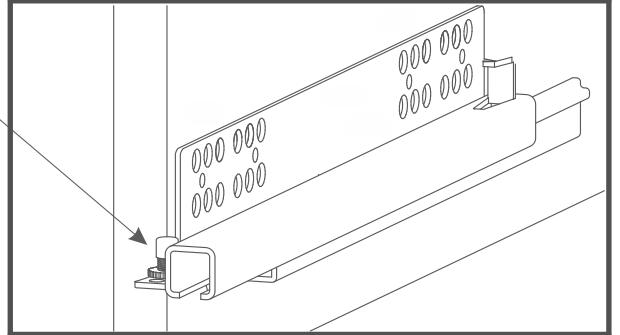
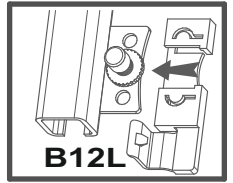
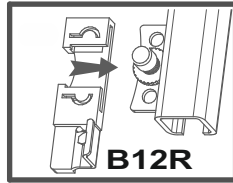
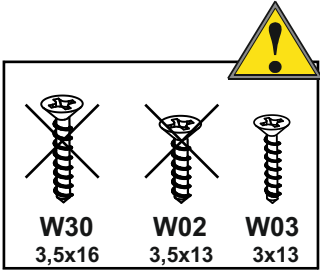
65

	3,5x13		6x11
			
6x	W02	3x	P09L
		6x	W12



66

9x	3 x13 W03	3x	L-300 U68	12x	Ø20 C02a	3x	B12L	3x	B12R
----	--------------	----	--------------	-----	-------------	----	------	----	------



67



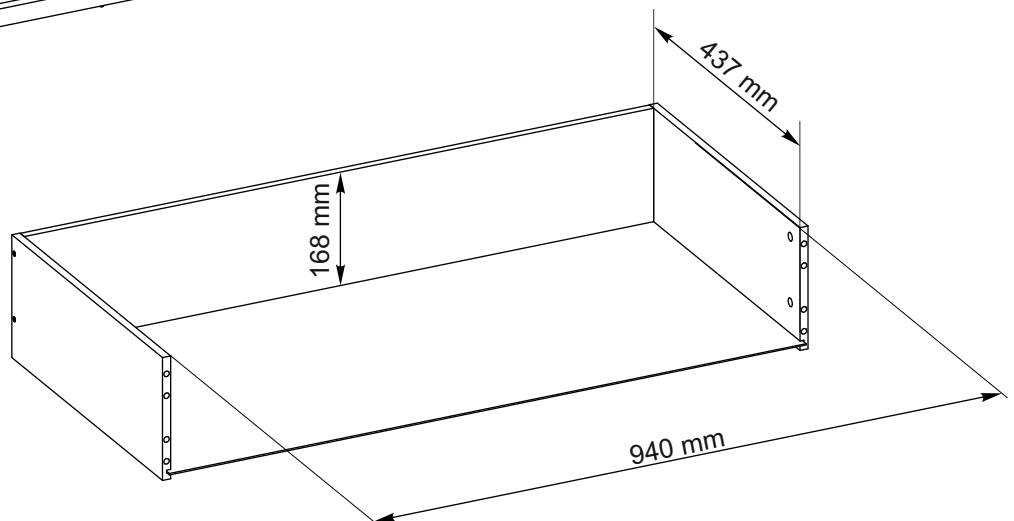
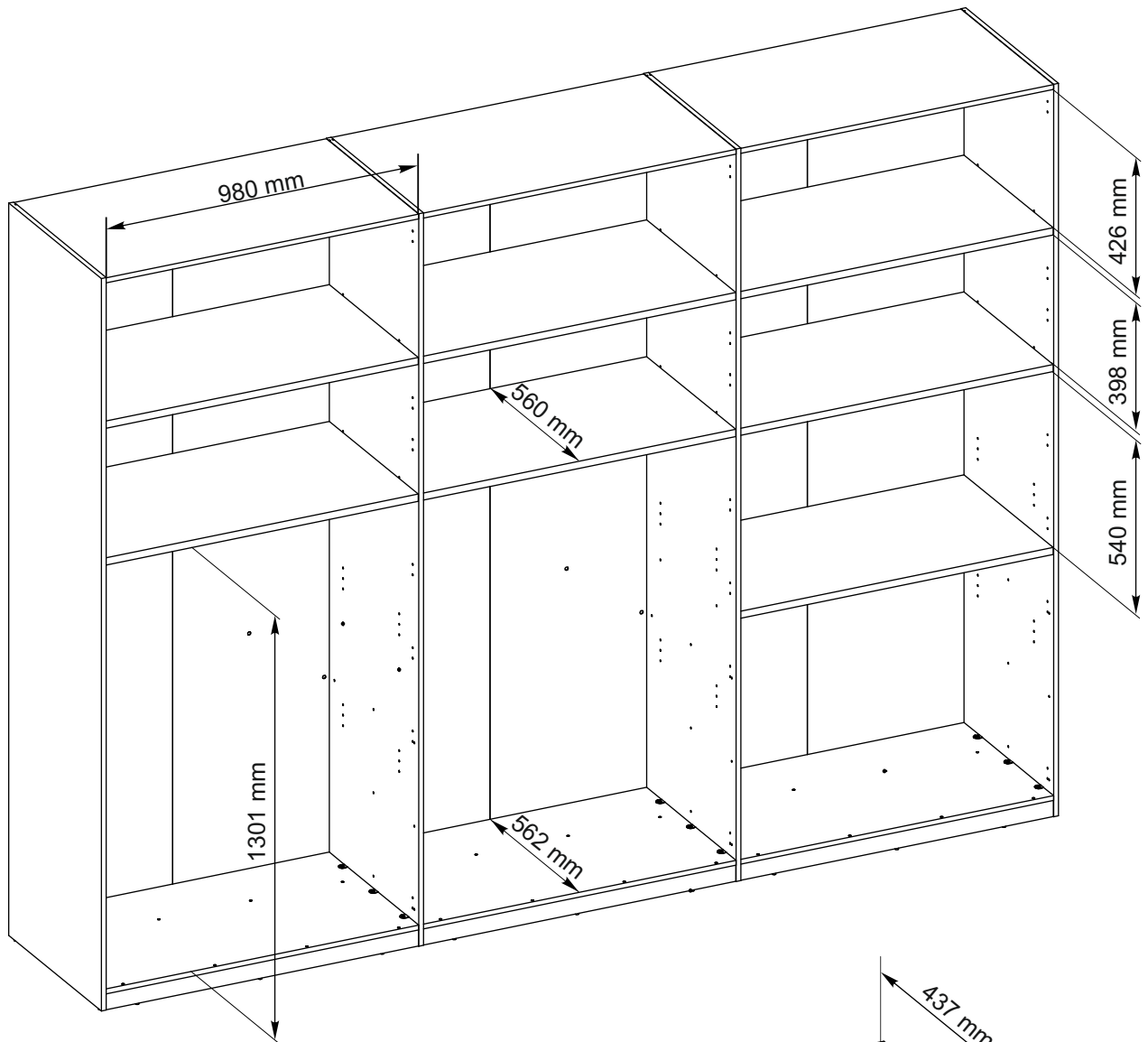
FR
Donnez ou recyclez vos meubles.

Association ou Magasin ou Déchèterie

<https://quefairedemesdechets.fr>



LE TRI + FACILE



100% COTTON