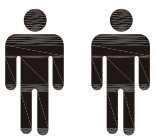
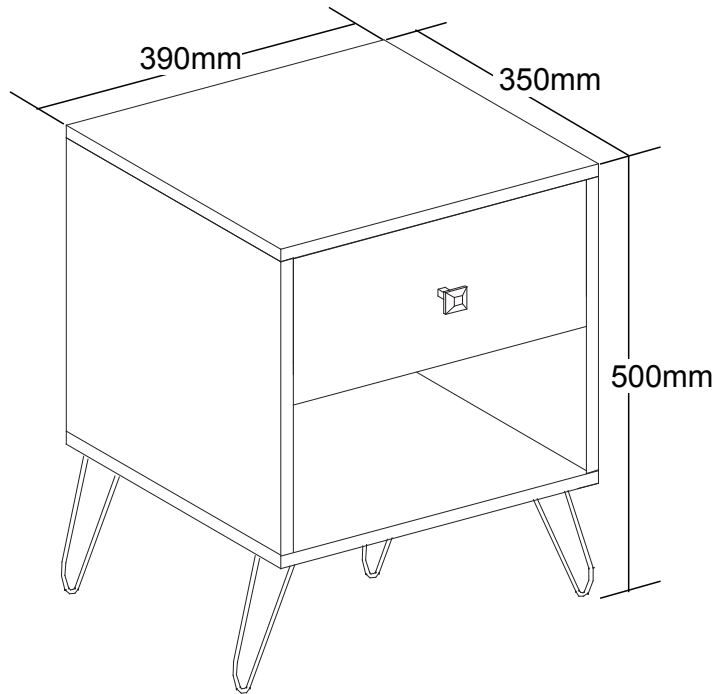
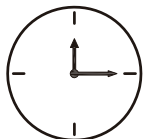


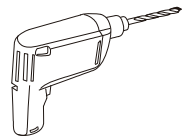
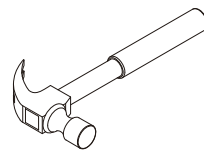
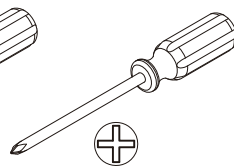
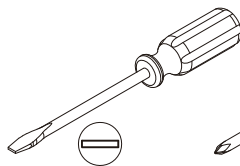
# 29630031/03

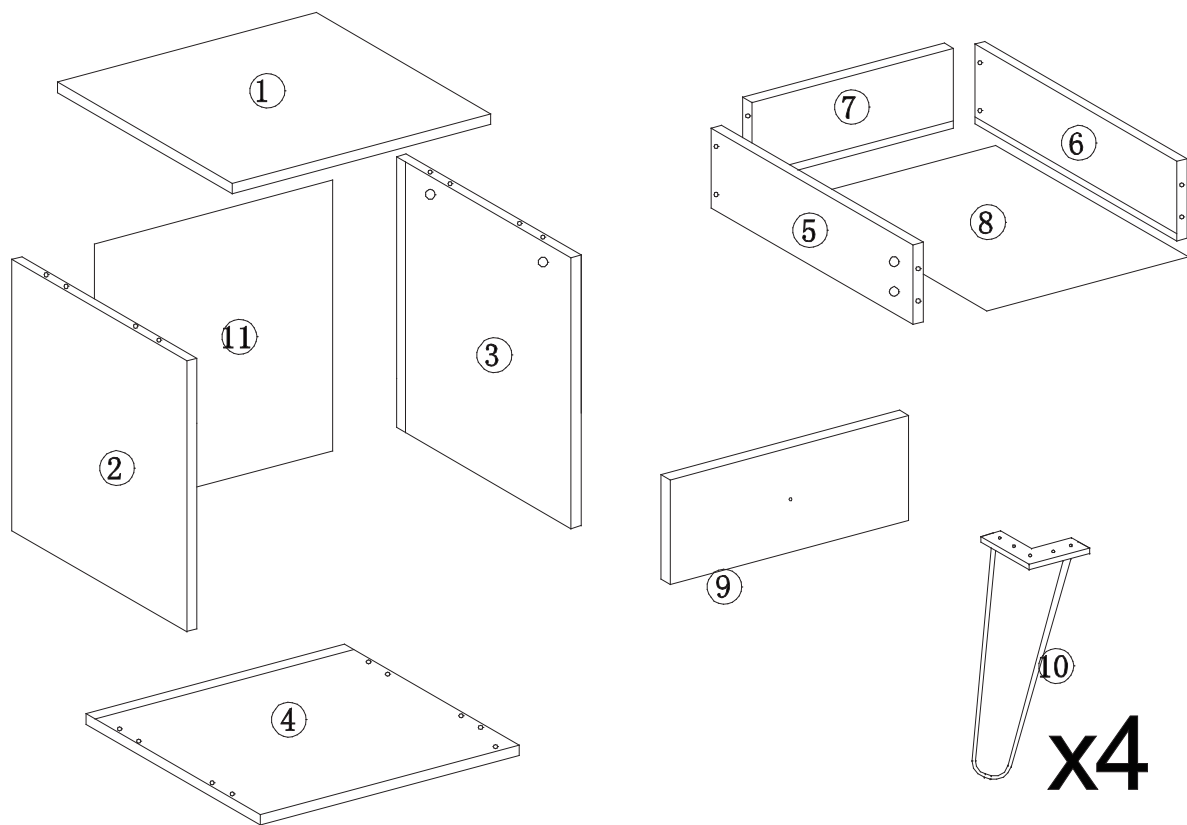


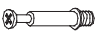






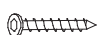
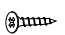


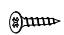

2 PERS.



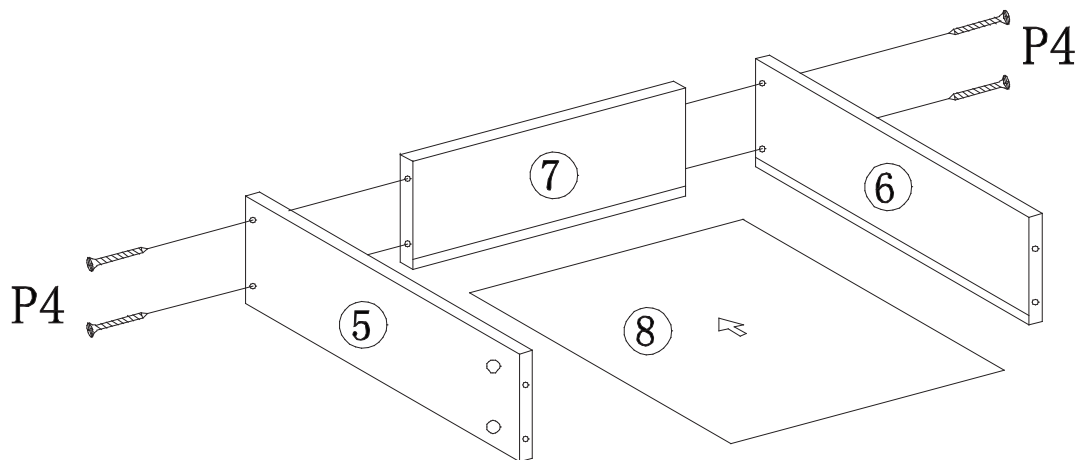
20 MIN






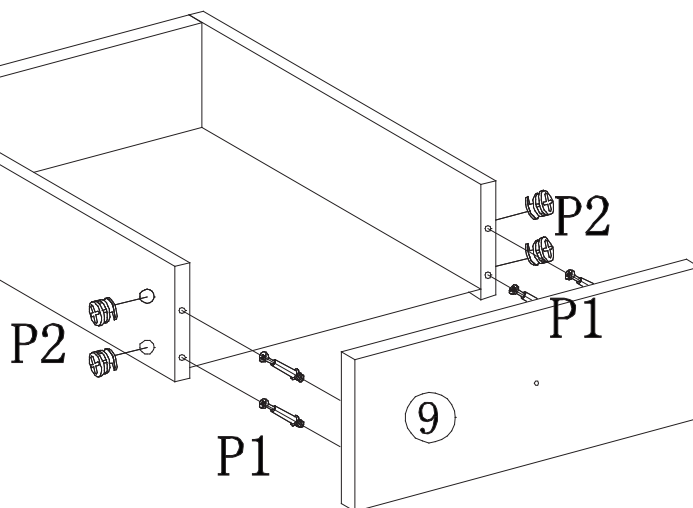
P1	x 8	P2	x 8	P3	x 1	P4	x 4	P5	x 1	P6	x 20
											
						φ4x35mm		φ4x20mm		φ6x14mm	
P7	x 1	P8	x 4	P9	x 12	P10	x 1	P11	x 6	P12	x 6
											
		φ5x40mm		φ3.5x12mm		CL DL DR CR				φ3x14mm	
P13	x 8										
											
φ8x30mm											

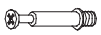
1




P4	x 4
	
φ4x35mm	

2

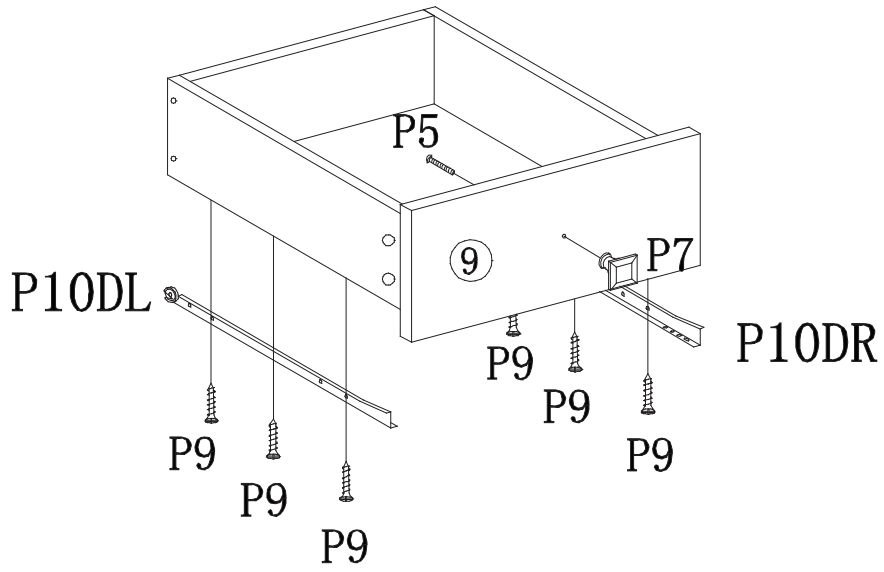



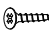


P1	x 4
	

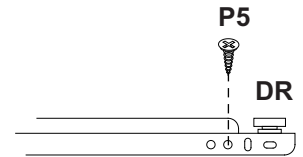
P2	x 4
	

3

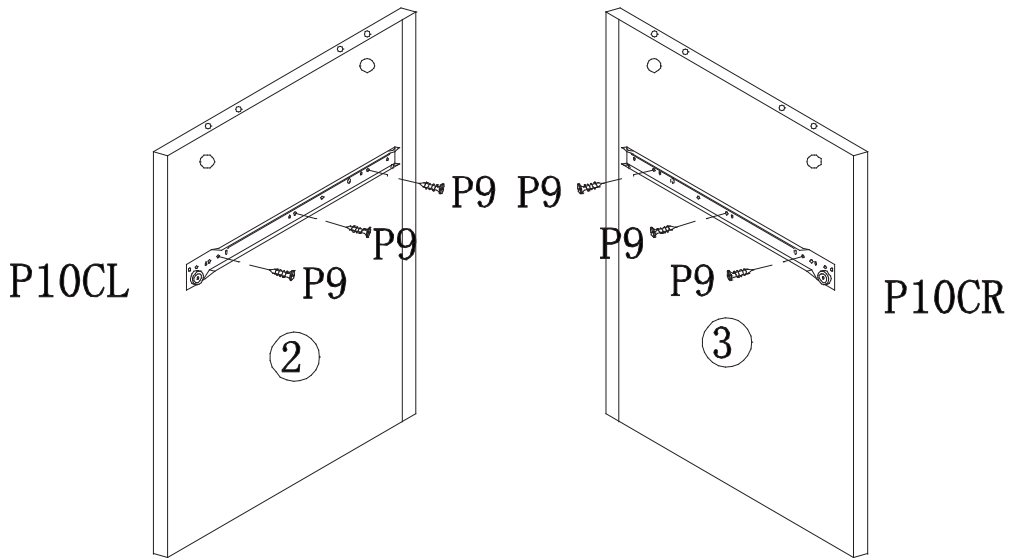
3


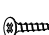


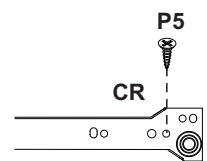
P10	x 1	P9	x 6	P7	x 1	P5	x 1
 DL DR		 φ3.5x12mm				 φ4x20mm	



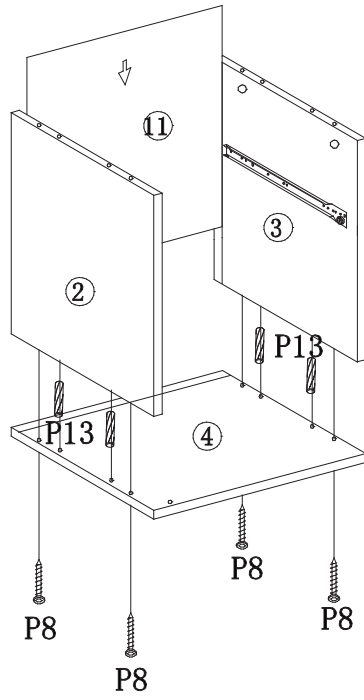
4





P10	x 1	P9	x 6
 CL CR		 φ3.5x12mm	



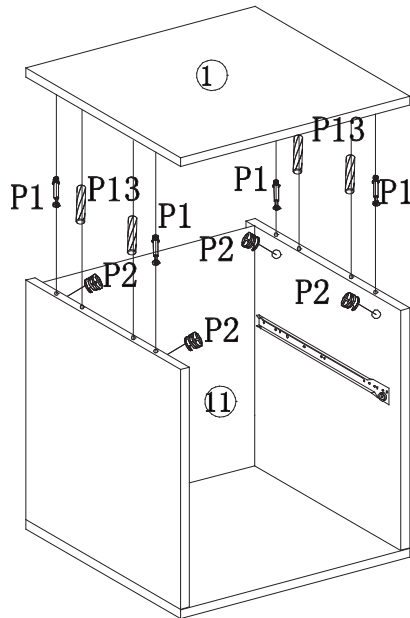
5

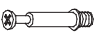



P8	x 4
	
φ5x40mm	


P13	x 4
	
φ8x30mm	

6

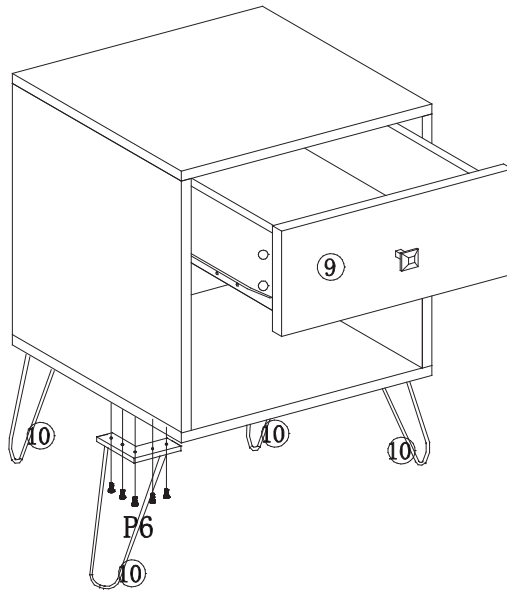


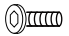
P1	x 4
	

P2	x 4
	

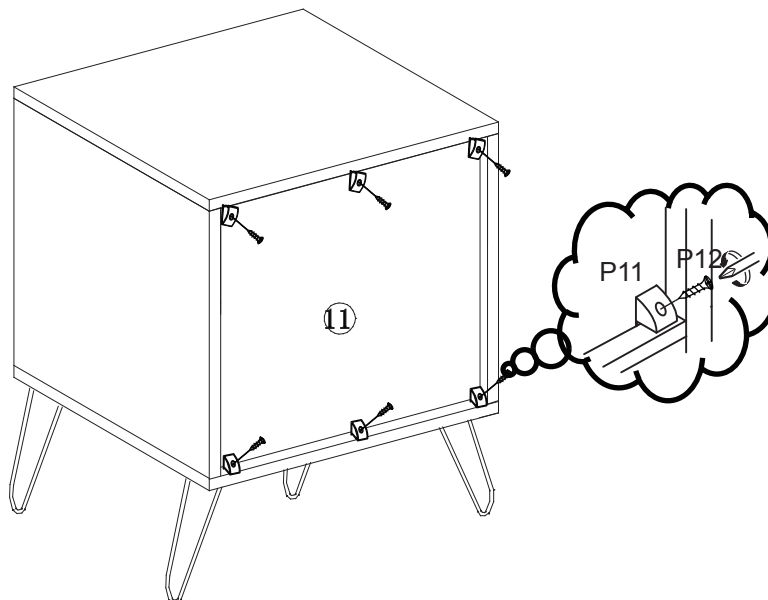
P13	x 4
	
φ8x30mm	


7

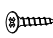


P6	x 20
	
$\phi 6 \times 14 \text{mm}$	

8



P11	x 6
	

P12	x 6
	
$\phi 3 \times 14 \text{mm}$	

